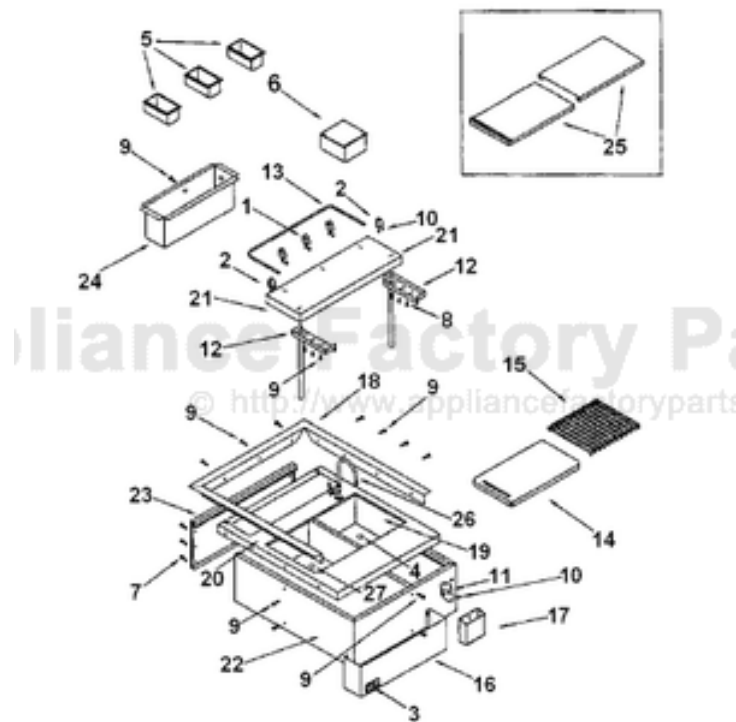


This Owner's Manual is provided and hosted by Appliance Factory Parts.



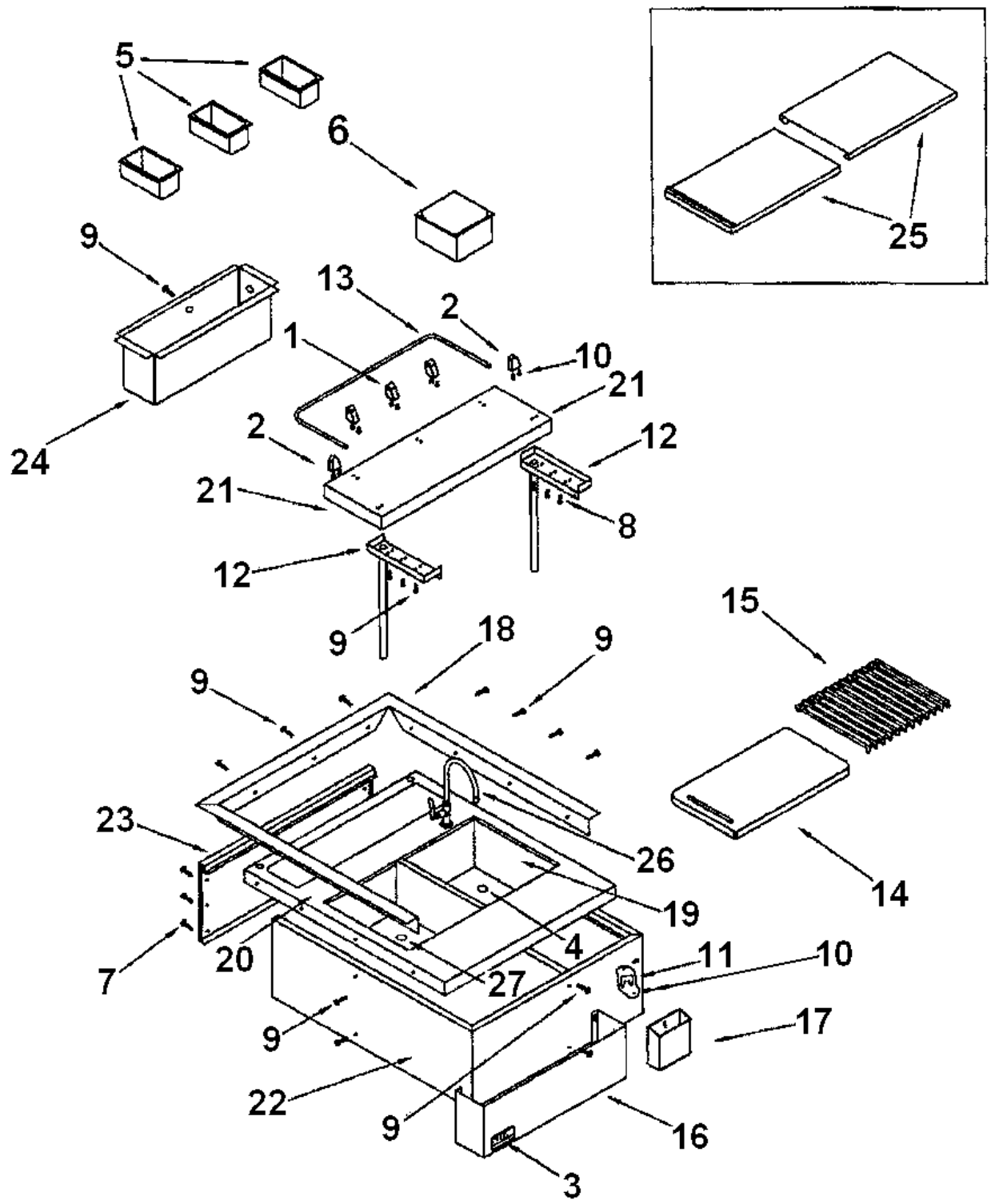
VIKING VBRC241 Owner's Manual

[Shop genuine replacement parts for VIKING VBRC241](#)



[Find Your VIKING Refrigerator Parts - Select From 341 Models](#)

----- Manual continues below -----



Ref #	Part Number	Qty.	Description
1	PW300305		SUB TO PW300349 - MINI BRACKET/TUBE ASSEMBLY-CHRO...
2	PW300306		MINI END CAPS-CHROME 41BP03
3	PW300307		VIKING LOGO 24-41BP04
4	PW300309		1/2 X 2 BRASS DRAIN 24-41BP06
5	PW300293		CONDIMENT TRAY (24-41BP11)
6	PW300314		1/6 SIZE X 6 DEEP 18-8 S/S 24B12
7	PW300331		NO.8 X 1/2 HEX WASHER HEAD TEK 24-41BP30
8	PW300334		1/4-20X 1/2 PH TRUSS MS 24-41BP33
9	PW300336		10-24X1/2 PH TRUSS 24-41P35
10	PW300337		10-24X1/4 PH PAN HD THREAD CUTTING 24-41BP36
11	PW300342		SS BOTTLE OPENER 24-41BP41
12	PW300345		1 TUBING FOR 24 RAIL SUPPORT - LH 24B67
	PS100156		1 TUBING FOR 24 RAIL SUPPORT - RH 24B72
13	PW300348		SUB TO PW300305 - 5/8 TUBING FOR 24 UNIT TOP RAIL 24B...
14	PW300350		CUTTING BOARD (FOR 24 UNIT) 24B50
15	PW300351		SS WIRE RACK (FOR 24 UNIT) 24B51
16	PW300353		SPEED RAIL (FOR 24 UNIT) 24B54
17	PW300354		CATCH CAN (FOR 24 UNIT) 24B55
18	PW300380		TRIM (FOR 24 BUILT-IN UNIT) 24B83
19	PW300381		ICE BIN AND SINK (FOR 24 UNIT) 24B84
20	PW300382		TOP (FOR 24 UNIT) 24B85
21	PW300297		24 TOP SHELF (24B86)
22	PW300383		BODY WRAP (FOR 24 UNIT) 24B87
23	PW300384		BACK PANEL (FOR 24 UNIT) 24B88
24	PW300385		INSULATED ICE PAN (FOR 24 UNIT) 24B89
25	PW300389		SLIDING COVERS FOR 24 BEV. CENTER (OLD) 24B93
26	PW300318		PANTRY FAUCET W/GOOSENECK SPOUT 24-41BP17
27	PW300308		1/2 X 3 1/2 BRASS DRAIN 24-41BP05