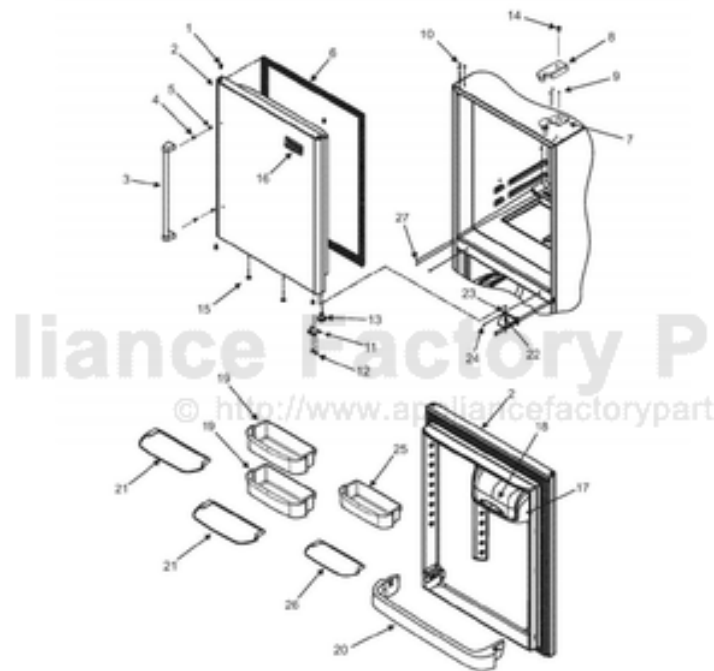


This Owner's Manual is provided and hosted by [Appliance Factory Parts](#).



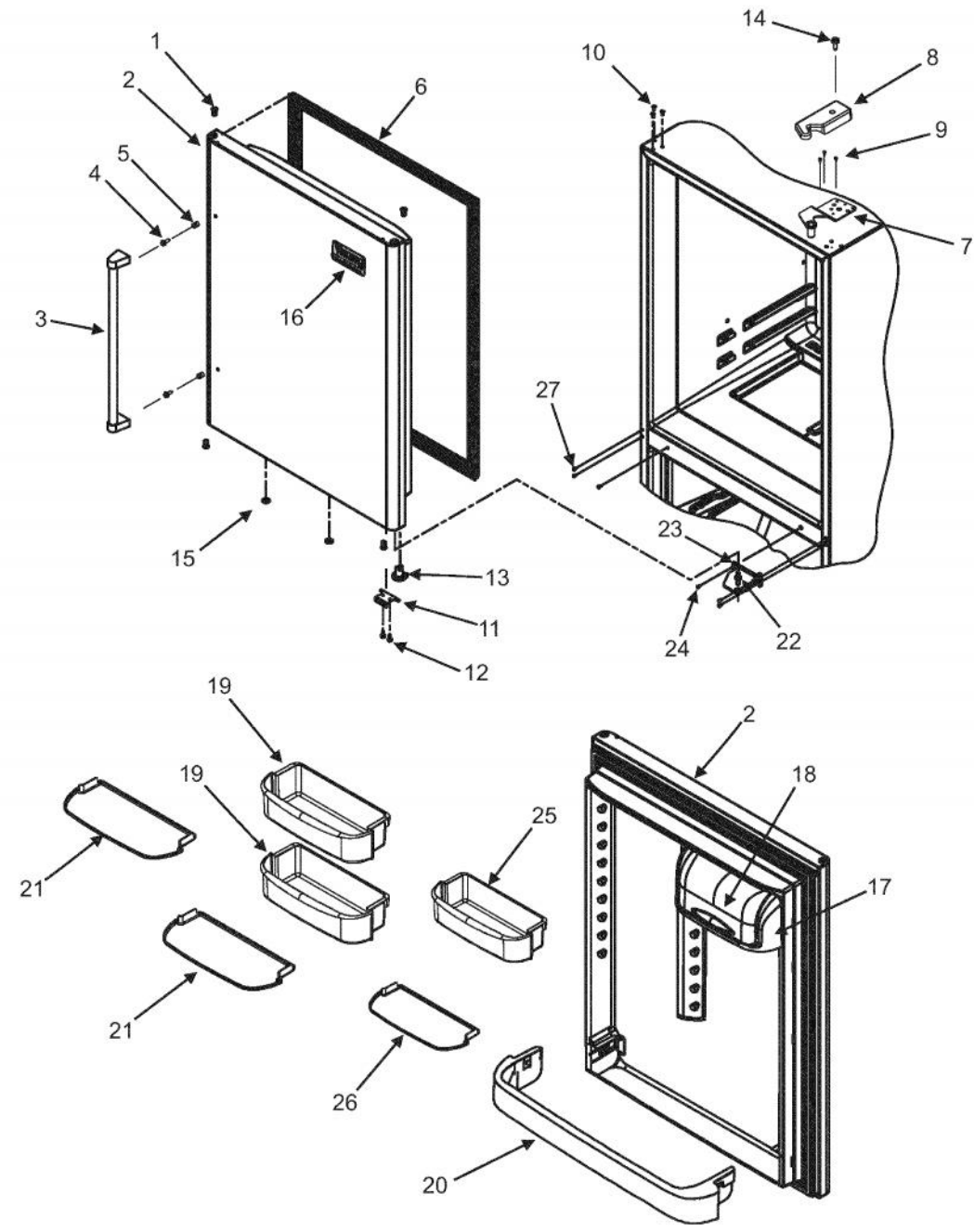
VIKING VCBF036_SERIES_10 Owner's Manual

[Shop genuine replacement parts for VIKING
VCBF036 SERIES 10](#)

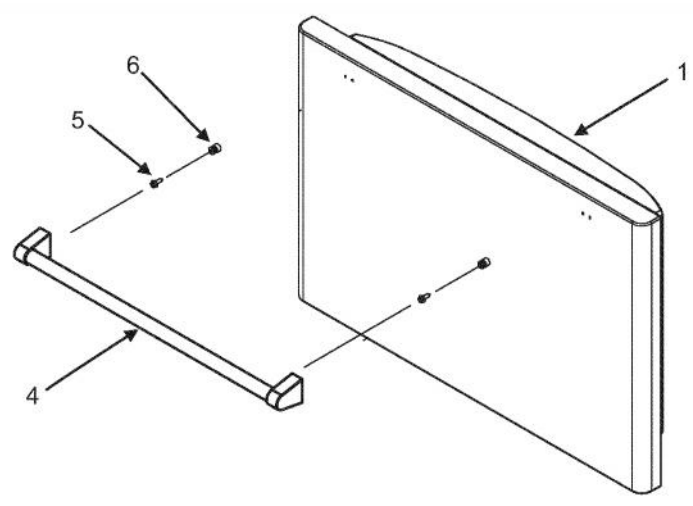
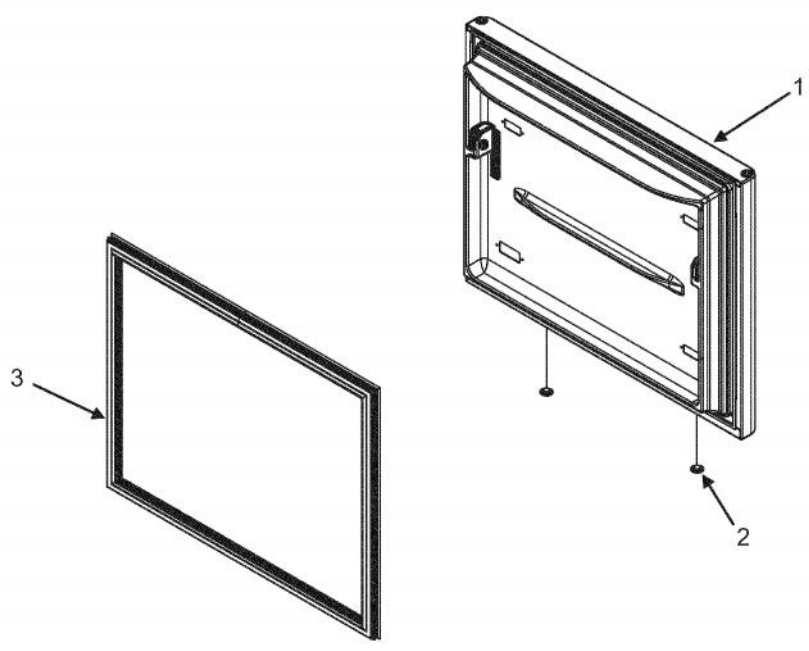


[Find Your VIKING Refrigerator Parts - Select From 341 Models](#)

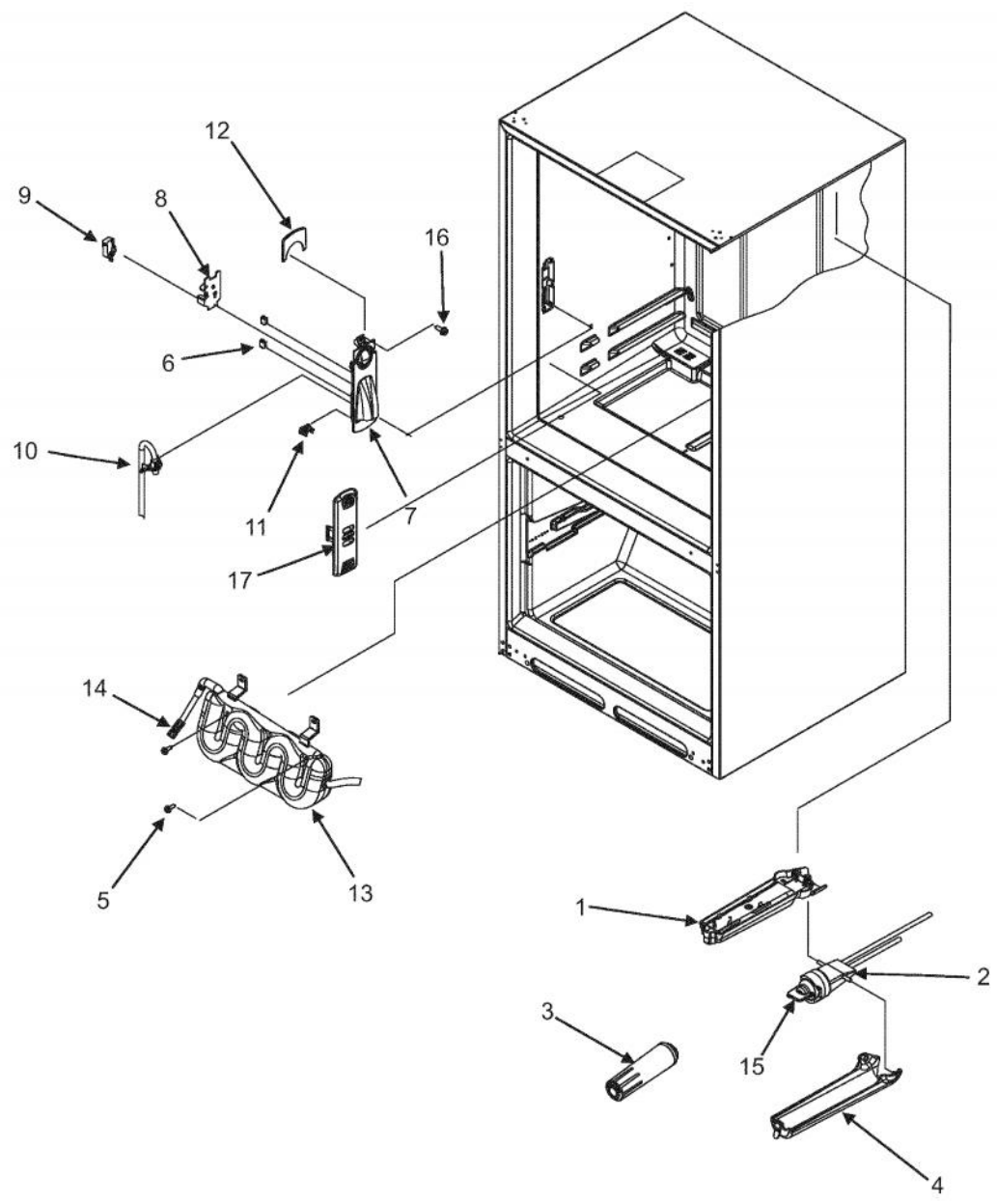
----- Manual continues below -----



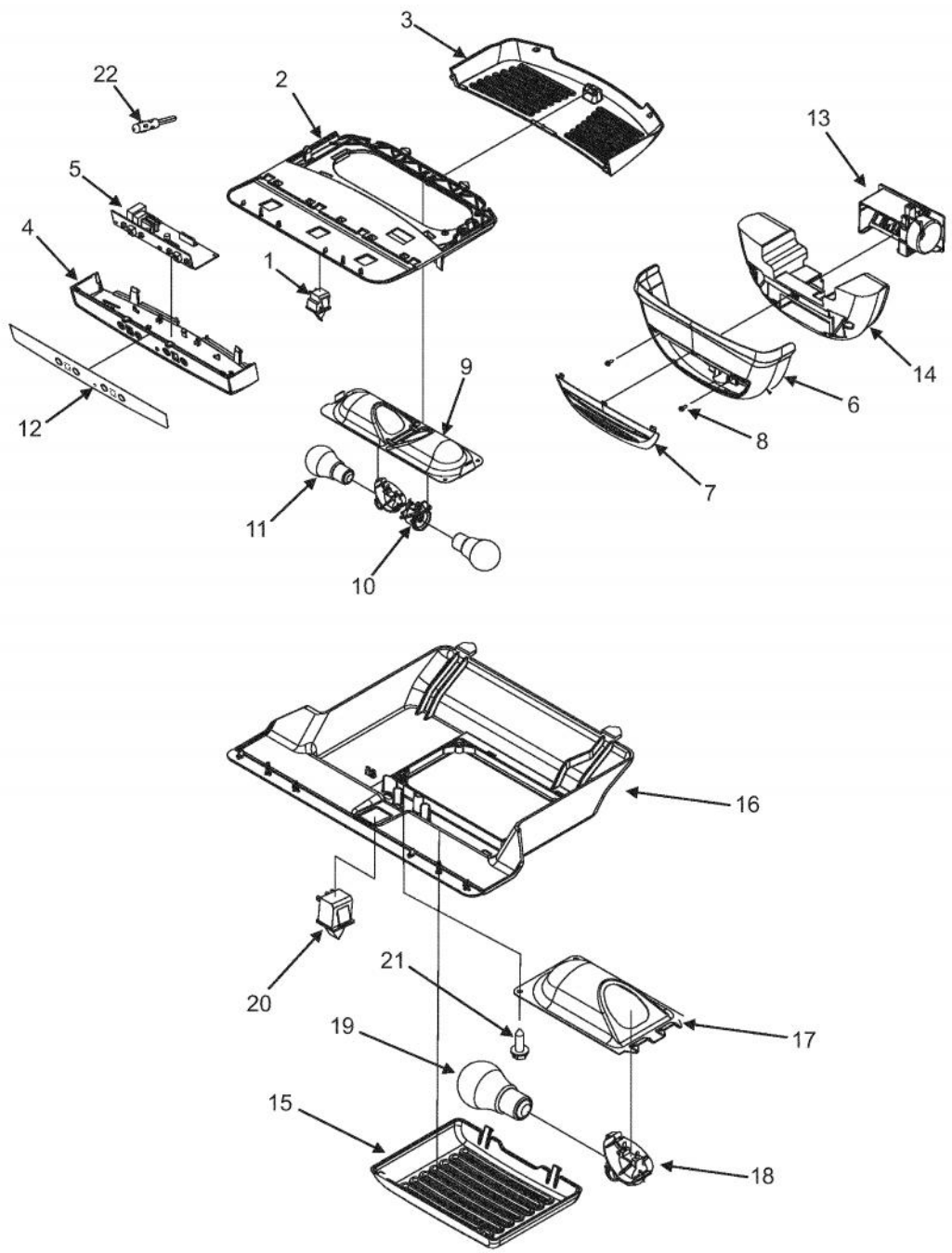
Ref #	Part Number	Qty.	Description
1	PS400000		DOOR BUSHING (BLACK) (67004978)
2	PS400210		REF. DOOR ASSEMBLY - LEFT HING (SS) 12658559SQ
	PS400211		REF. DOOR ASSEMBLY - RIGHT HINGE (SS) (12658560SQ
3	PS400429		HANDLE ASSY (INC. END CAPS) 67006758
4	PS400212		SCREW, HANDLE 340184
5	PS400213		MOUNT, HANDLE 67006109
6	PS400005		GASKET, REFRIGERATOR DOOR (67003557)
7	PS400006		HINGE, TOP RIGHT
	PS400007		TOP HINGE - LEFT HINGE (67005827)
8	PS400008		COVER, RIGHT HINGE, BLACK
	PS400009		COVER, TOP HINGE - LEFT HINGE (67006726)
9	PS400010		GEAR (LH & RH)
10	PS400011		PLUG, BUTTON (BLACK)
11	PS400012		180 DEGREE DOOR STOP BK (67003780)
12	PS400013		SCREW, DOOR STOP (67006287)
13	PS400014		DOOR CLOSURE (67003639)
14	PS400015		SCREW, TOP HINGE COVER (67006521)
15	PS400016		PLUG, VENT (67004838)
16	PS400430		PRO LOGO (67006680)
17	PS400017		DAIRY TRAY (67001279)
18	PS400018		DAIRY DOOR (67006727)
19	PS400019		LARGE DOOR SHELF (INC. GRIPPER) (67006728)
20	PS400020		RETAINER, REFRIGERATOR DOOR (67003027)
21	PS400021		GRIPPER, LARGE (67006729)
22	PS400022		PIN, CENTER HINGE (67006642)
23	PS400023		CENTER HINGE (67002960)
24	PS400024		SCREW, CENTER HINGE (67006380)
25	PS400025		BUCKET, MEDIUM (W/GRIPPER)
26	PS400026		GRIPPER, MEDIUM (67006731)



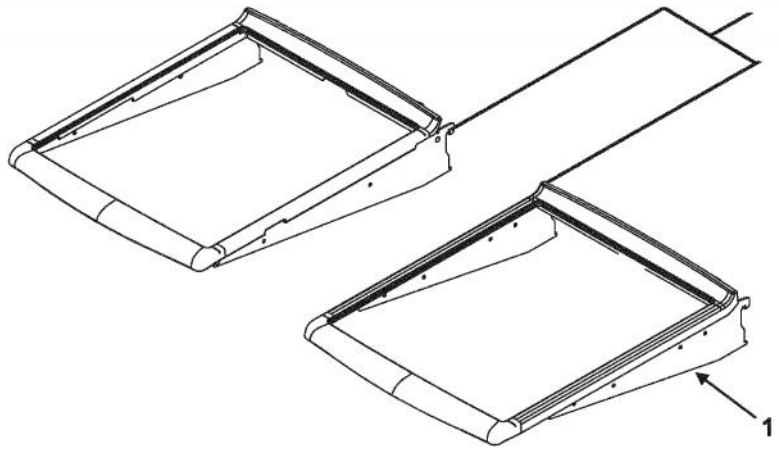
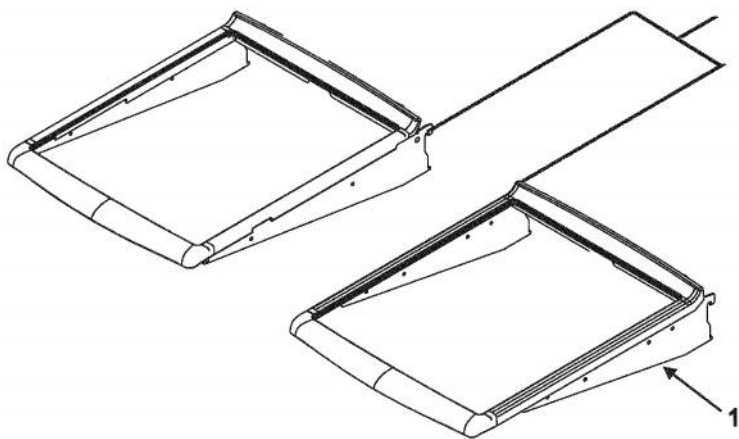
Ref #	Part Number	Qty.	Description
1	PS400214		FREEZER DOOR ASSEMBLY
2	PS400016		PLUG, VENT (67004838)
3	PS400028		GASKET, FREEZER DOOR (67003559)
4	PS400429		HANDLE ASSY (INC. END CAPS) 67006758
5	PS400212		SCREW, HANDLE 340184
6	PS400213		MOUNT, HANDLE 67006109



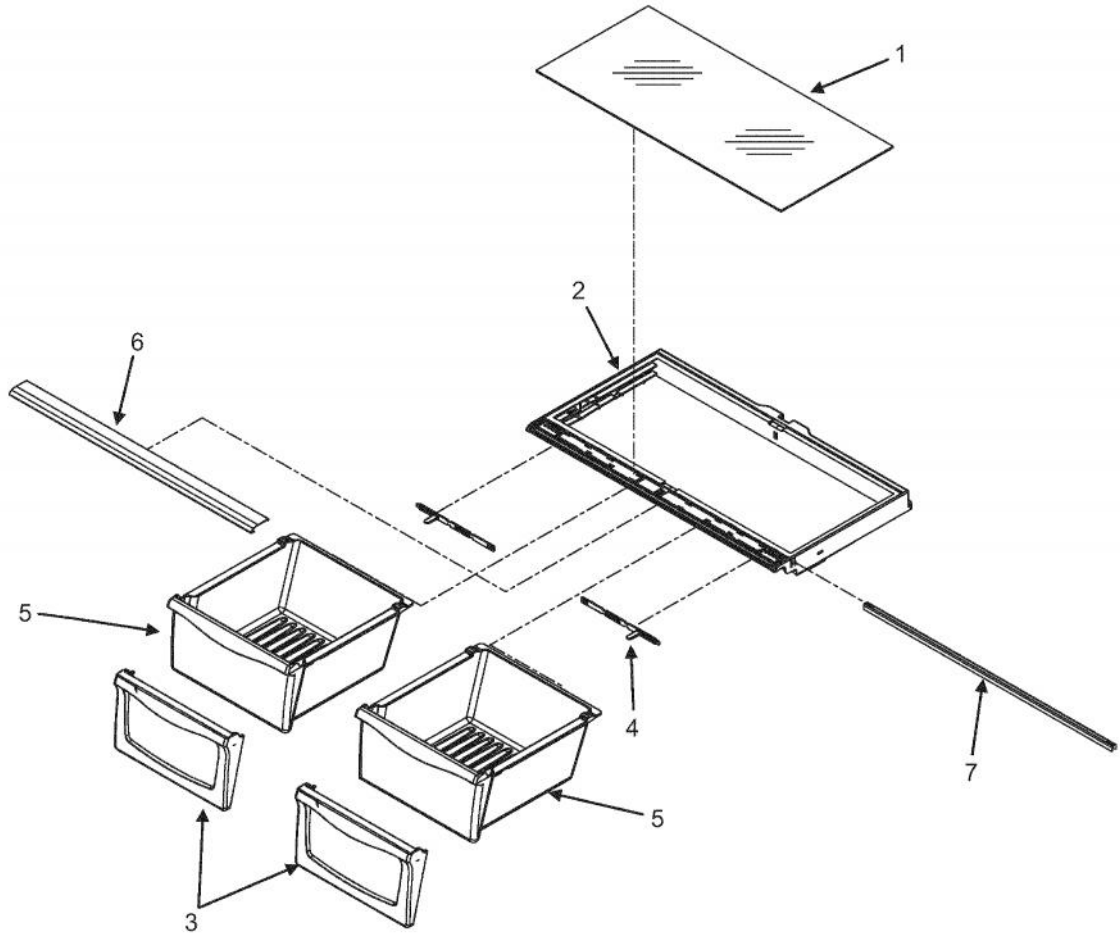
Ref #	Part Number	Qty.	Description
1	PS400029		FILTER BACKING PLATE (67001668)
2	PS400030		WATER FILTER HEAD (W/TUBING) (67006524)
3	SALES ITEM		WATER FILTER
4	PS400031		COVER, FILTER
5	PS400013		SCREW, DOOR STOP (67006287)
6	PS400032		FACADE CLIP (B8390302)
7	PS400033		FACADE DISPENSER (W10158503)
8	PS400034		SWITCH PLATE (67002742)
9	PS400035		SWITCH, LIMIT
10	PS400036		WATER LINE GUIDE (67002743)
11	PS400037		WATER LINE CLIP (67002816)
12	PS400038		TOP, FACADE DISPENSER (67006733)
13	PS400039		WATER TANK (W10153959)
14	PS400040		UNION (5/16 X 5/16)
15	PS400041		BYPASS PLUG (12664501)
16	PS400042		SCREW, SMALL (67006400)
17	PS400043		COVER, CHILLER VENT (67006111)



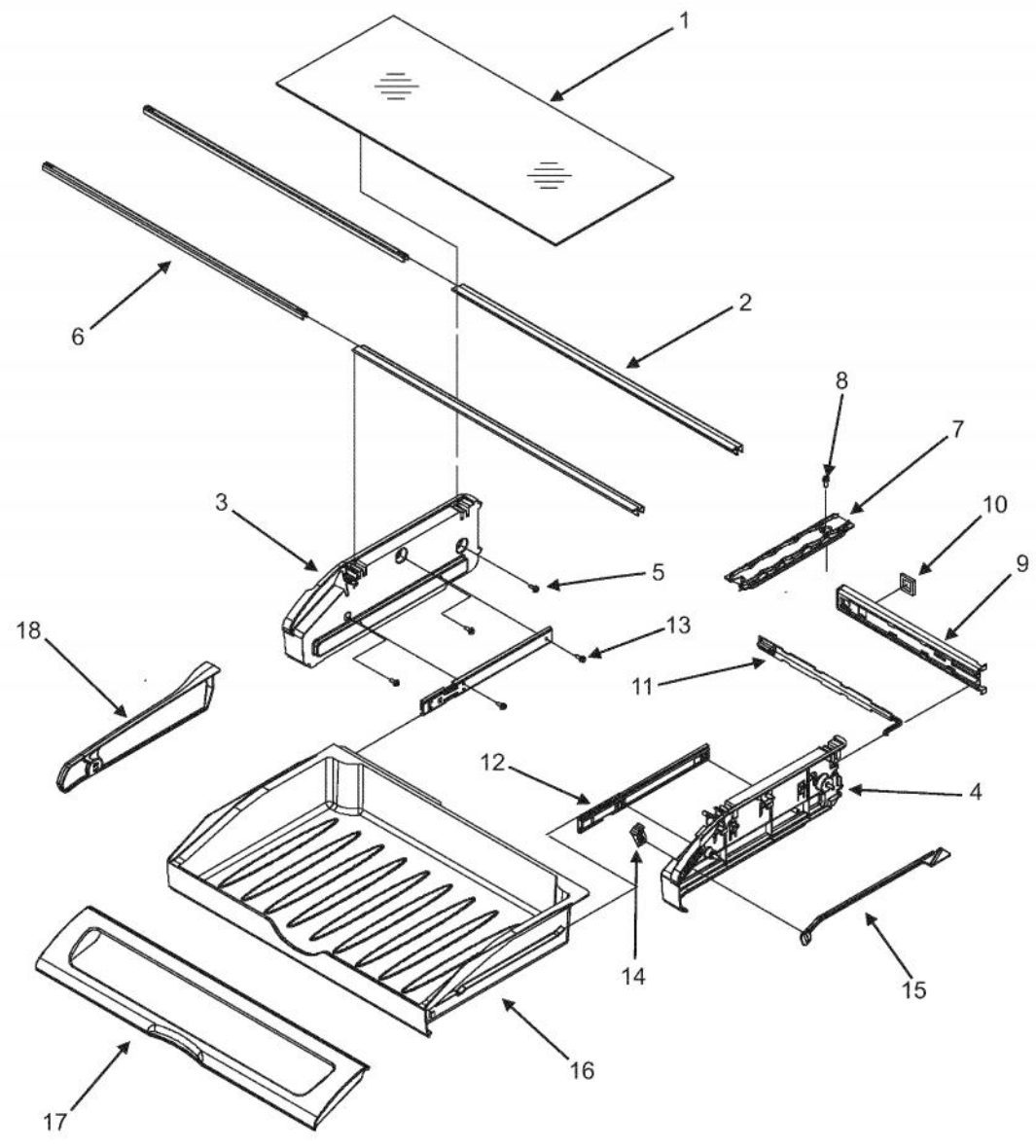
Ref #	Part Number	Qty.	Description
1	PS400044		LIGHT SWITCH (C3680310)
2	PS400045		LIGHT MODULE (67003896)
3	PS400046		COVER, REFRIGERATOR LIGHT (67003897)
4	PS400047		MODULE, REFRIGERATOR CONTROL (67005444)
5	PS400048		CONTROL BOARD (W10207861)
6	PS400049		DAMPER COVER (67003899)
7	PS400050		INSERT, DAMPER COVER (67003900)
8	PS400051		SCREW, DAMPER BASE (67006602)
9	PS400052		LIGHT HOUSING (67003901)
10	PS400053		LIGHT SOCKET (12570701)
11	PS400054		LIGHT BULB (A0282812)
12	PS400055		KEYBOARD CONTROL
13	PS400056		CONTROL, DAMPER
14	PS400057		INSULATION, DAMPER CONTROL (67006604)
15	PS400058		COVER, FREEZER LIGHT (67003905)
16	PS400059		MODULE, FREEZER CONTROL (67003906)
17	PS400060		LIGHT HOUSING (67001035)
18	PS400053		LIGHT SOCKET (12570701)
19	PS400054		LIGHT BULB (A0282812)
20	PS400061		LIGHT SWITCH / INTERLOCK (12002646)
21	PS400062		SCREW, HOUSING (67006530)
22	PS400063		THERMISTOR
NI	PS400064		HARNESS, FF CONTROL (67005644)
NI	PS400065		HARNESS, FZ CONTROL (67006094)



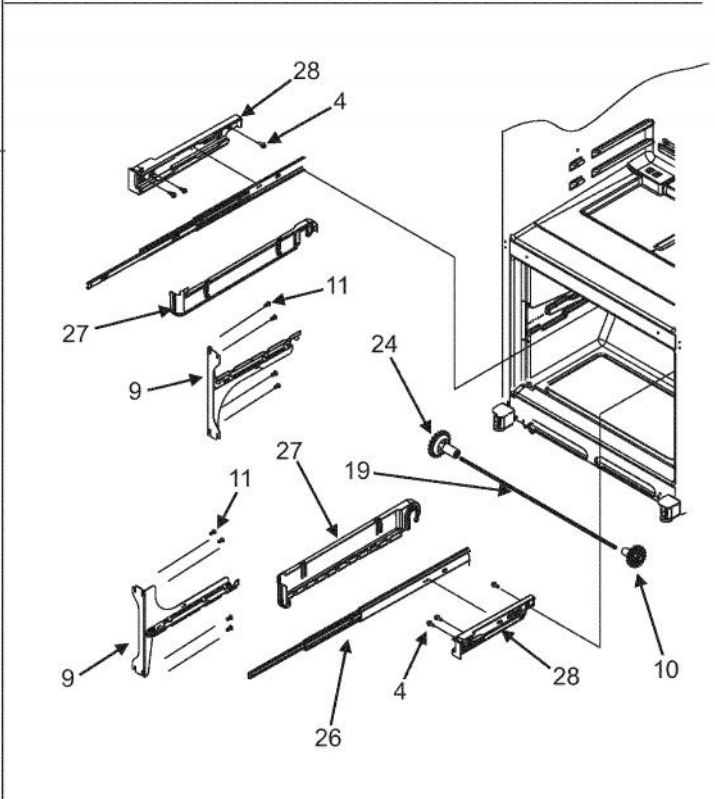
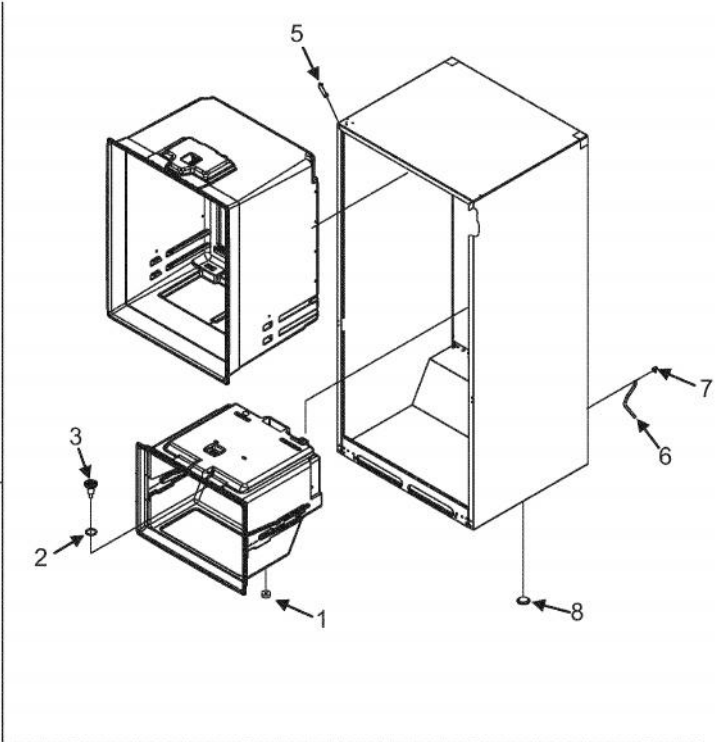
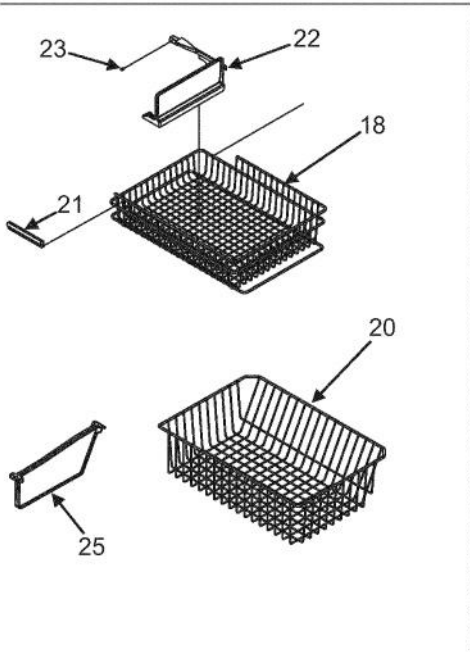
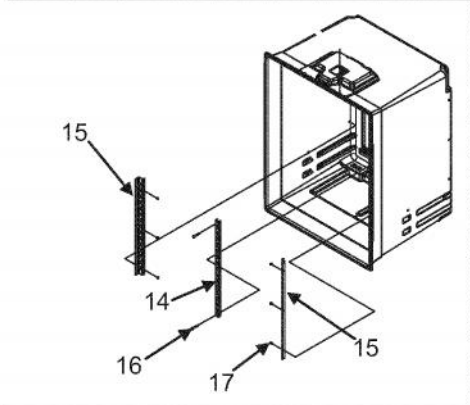
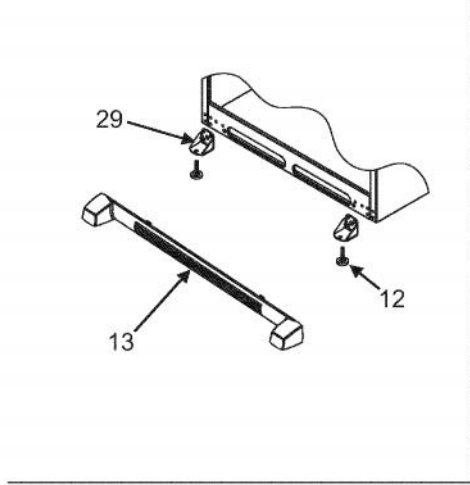
Ref #	Part Number	Qty.	Description
1	PS400066		SHELF, GLIDE OUT (67003169)



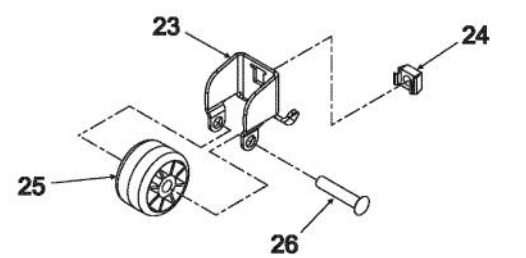
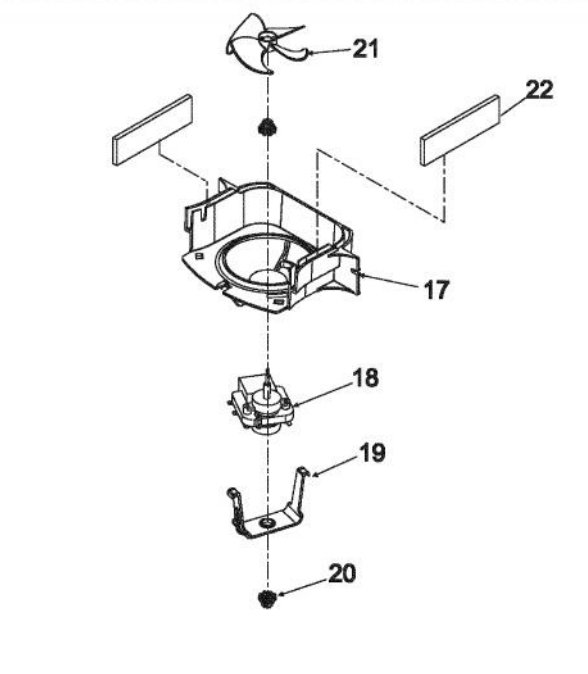
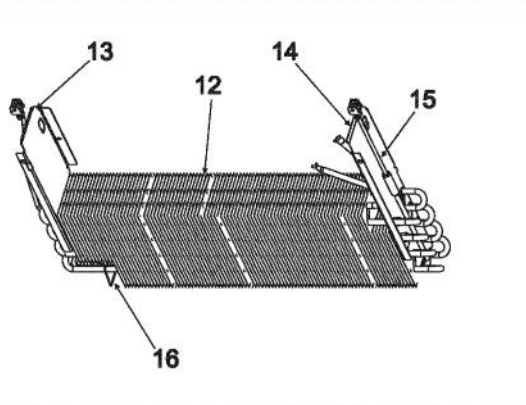
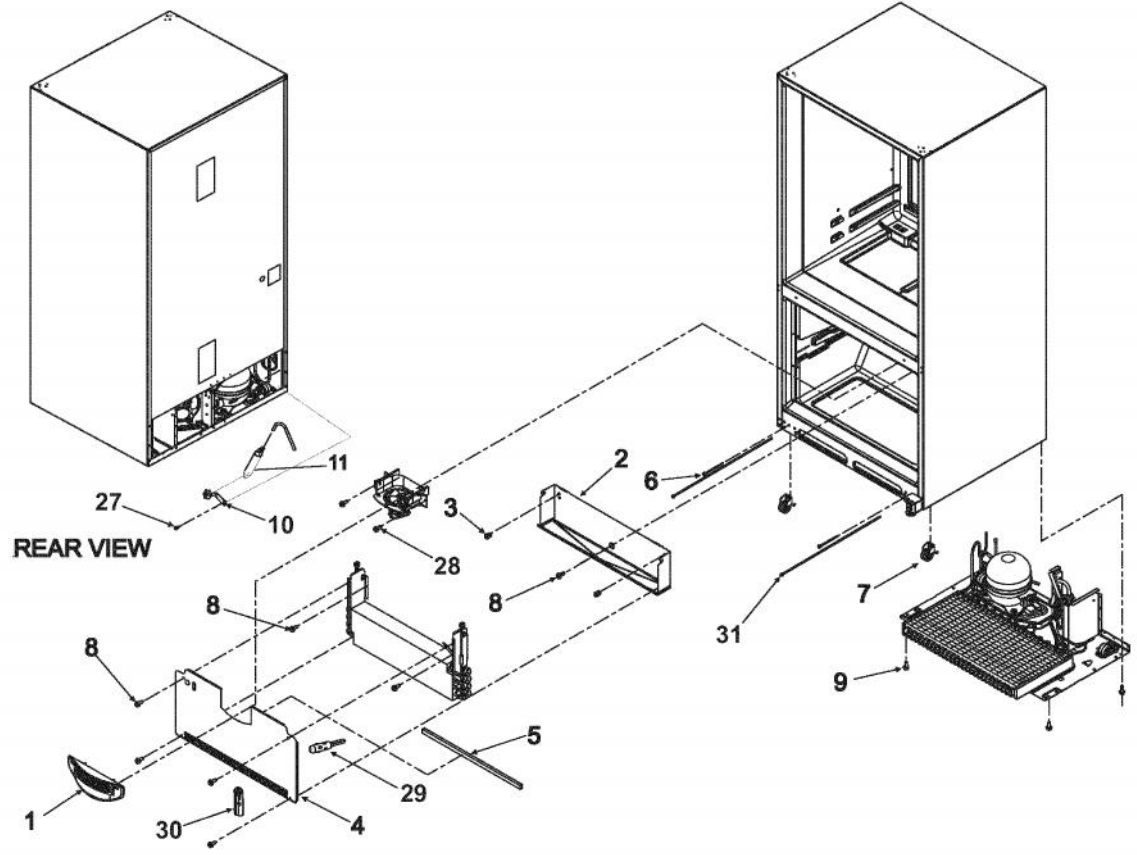
Ref #	Part Number	Qty.	Description
1	PS400067		GLASS, CRISPER (67006655)
2	PS400068		FRAME, CRISPER (67006185)
3	PS400069		FRONT, CRISPER PAN (67005926)
4	PS400070		SLIDE, HUMIDITY CONTROL (Y67001287)
5	PS400071		CRISPER PAN (67002659)
6	PS400072		EXTRUSION, CRISPER FRONT (W10231489)
7	PS400073		BRACE, CRISPER



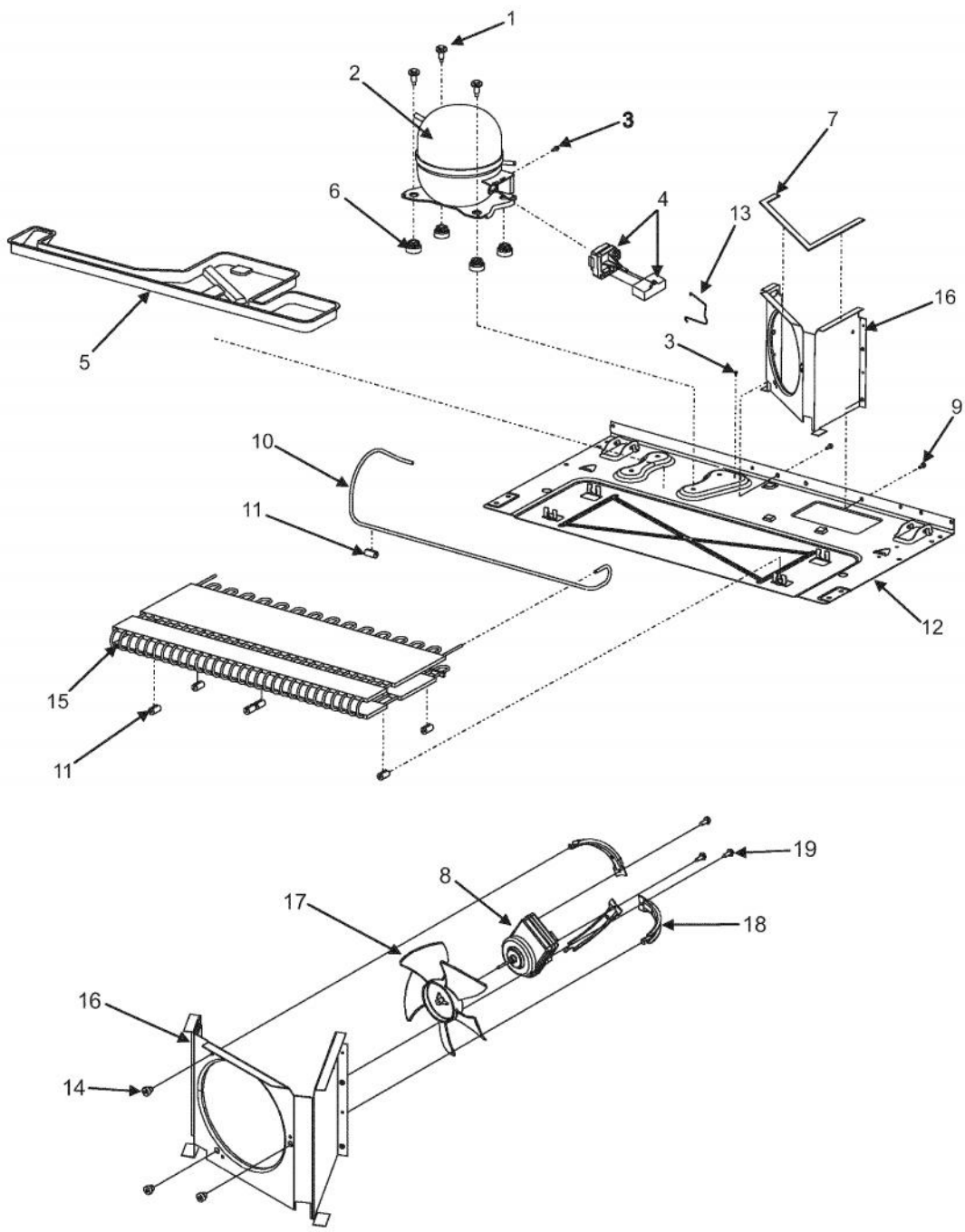
Ref #	Part Number	Qty.	Description
1	PS400074		GLASS, PANTRY (67002332)
2	PS400075		EXTRUSION, GLASS SUPPORT (67006010)
3	PS400076		END CAP, LH PANTRY
4	PS400077		END CAP, RH PANTRY
5	PS400078		SCREW, END CAP (67006415)
6	PS400079		BRACE, PANTRY (67002330)
7	PS400080		TRACK, DELI DRAWER (67001719)
8	PS400042		SCREW, SMALL (67006400)
9	PS400081		CONTROL HOUSING (67005625)
10	PS400082		GASKET, PANTRY (67002329)
11	PS400083		TEMP CONTROL SLIDE (67003793)
12	PS400084		GLIDE, PANTRY DRAWER (67007026)
13	PS400013		SCREW, DOOR STOP (67006287)
14	PS400085		KNOB, TEMP CONTROL (67003791)
15	PS400086		BAR, TEMP CONTROL (67003794)
16	PS400087		DRAWER, PANTRY (67003530)
17	PS400088		LID, PANTRY (67006736)
18	PS400089		DIVIDER, PANTRY (67002321)



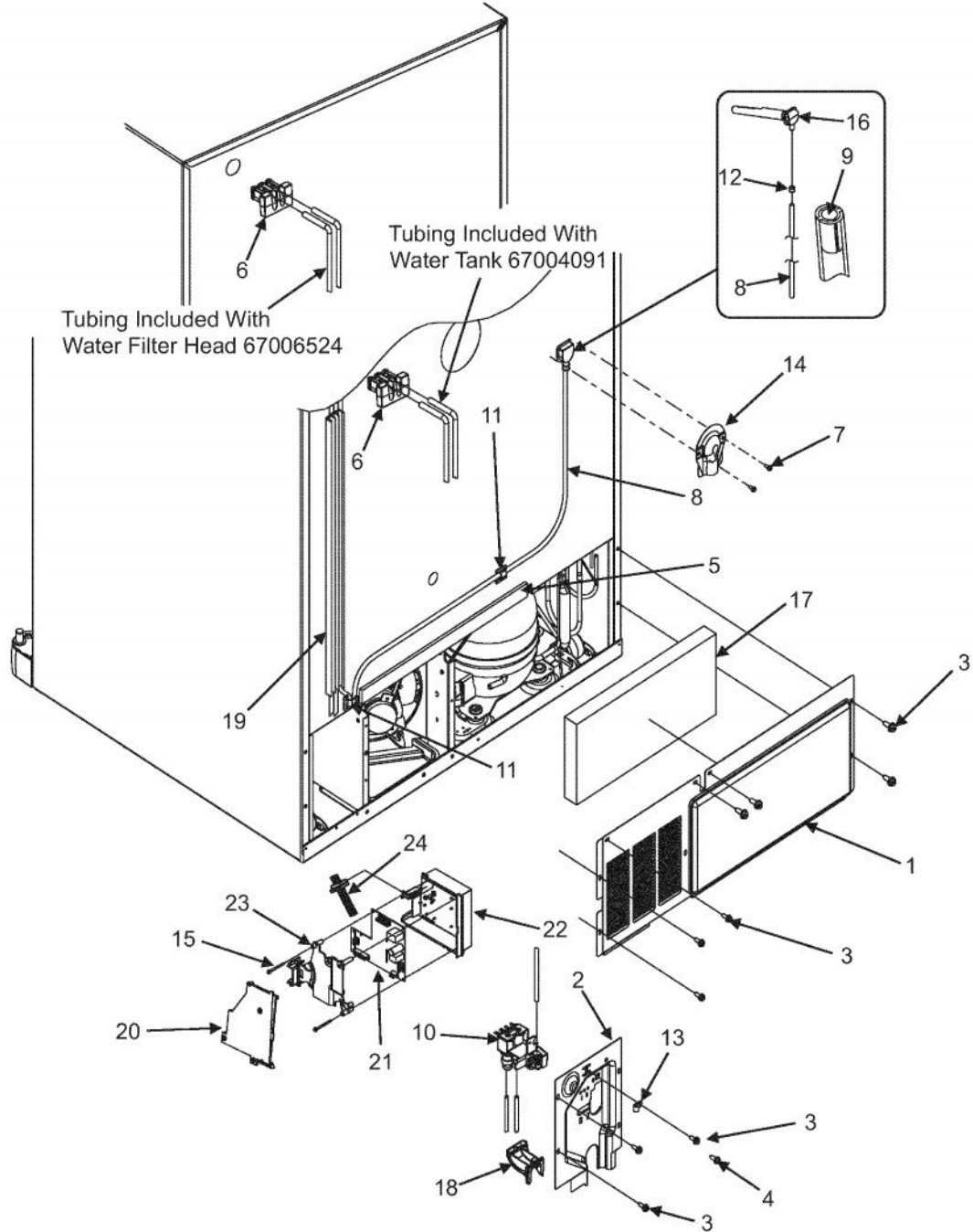
Ref #	Part Number	Qty.	Description
1	PS400090		GASKET, DRAIN TUBE
2	PS400091		SEAL, O-RING
3	PS400092		FUNNEL, DRAIN
4	PS400093		SCREW, ADAPTER (67006406)
5	PS400094		CORNER COVER (67003485)
6	PS400095		DRAIN TUBE (67001066)
7	PS400096		CLIP, DRAIN TUBE (67001067)
8	PS400097		PLUG, BUTTON
9	PS400098		BRACKET, DRAWER SLIDE - LH (12812503WD)
	PS400099		BRACKET, DRAWER SLIDE - RH (67004733)
10	PS400100		GEAR (LH / RH)
11	PS400101		SCREW, BRACKET (67006473)
12	PS400102		BRAKE, FOOT (67003868)
13	PS400103		TOE GRILLE (BLACK)
14	PS400104		RAIL, SHELF SUPPORT - CENTER (67001073)
15	PS400105		RAIL, SHELF SUPPORT - RH / LH (67002489)
16	PS400106		SCREW, CENTER RAIL (67006360)
17	PS400042		SCREW, SMALL (67006400)
18	PS400107		UPPER FREEZER BASKET (67004988)
19	PS400108		SHAFT, RACK (67004017)
20	PS400109		LOWER FREEZER BASKET (67006026)
21	PS400110		HANDLE, BASKET (10508506)
22	PS400111		DIVIDER, UPPER BASKET (67004127)
23	PS400112		SCREW, UPPER DIVIDER (67006608)
24	PS400113		GEAR, LEFT TRACK
25	PS400114		DIVIDER, LOWER BASKET (67004812)
26	PS400115		DRAWER SLIDE (12002684)
27	PS400116		BASKET CRADLE - LEFT TRACK (67004728)
	PS400117		BASKET CRADLE - RIGHT TRACK (67004729)
28	PS400118		ADAPTER - LEFT TRACK (67004971)
	PS400119		ADAPTER RIGHT TRACK (67004972)
29	PS400120		BRACKET, FOOT CABINET (67007174)
NI	PS400121		SCREW, BRACKET (67006491)



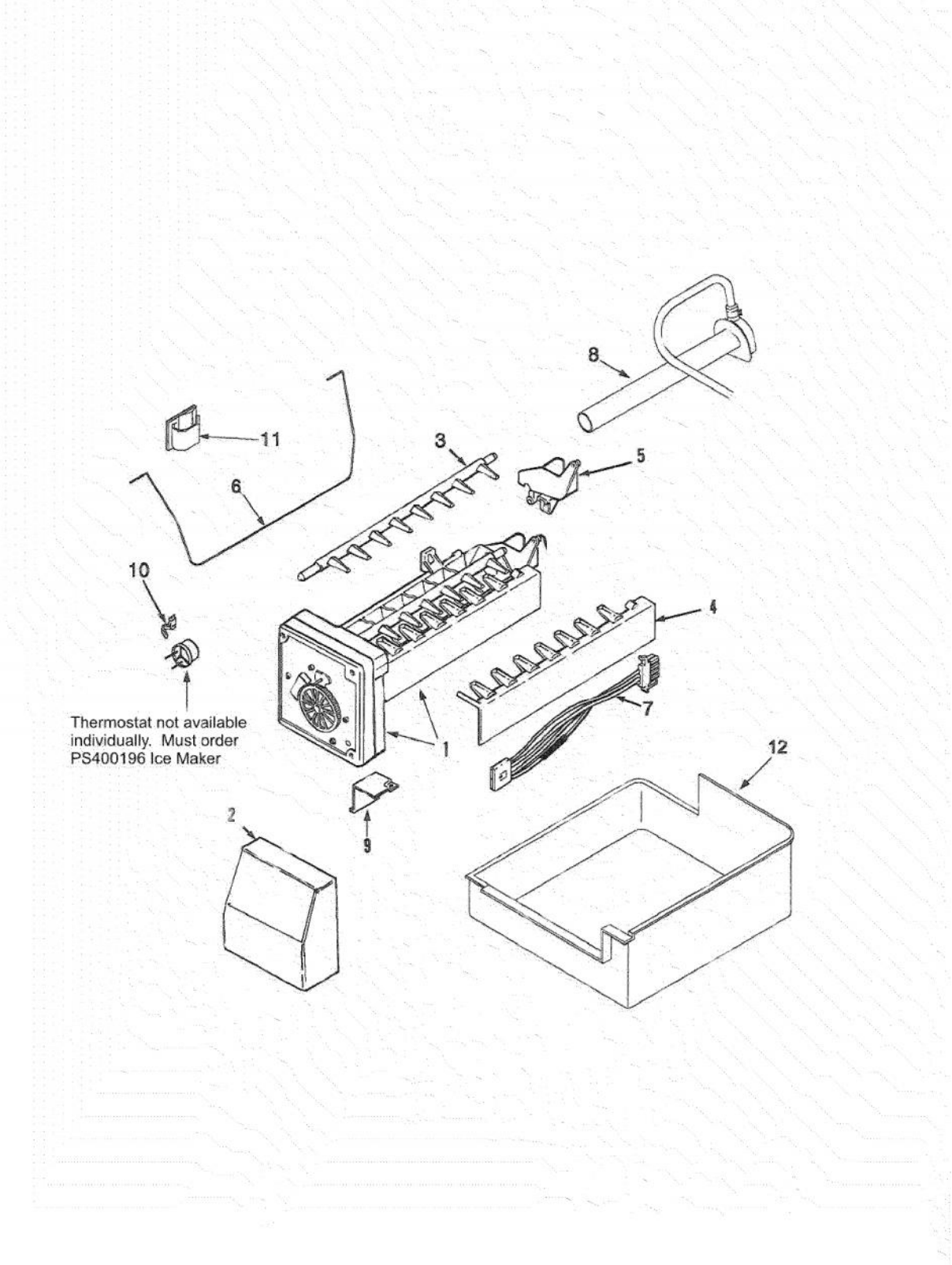
Ref #	Part Number	Qty.	Description
1	PS400122		AIR GRILLE - FREEZER (67006609)
2	PS400123		DRIP TRAY, E-CT (67002490)
3	PS400124		CLIP, EVAPORATOR
4	PS400125		COVER, EVAPORATOR (67005873)
5	PS400126		GASKET (A3189396)
6	PS400127		SCREW, ADJUSTABLE ROLLER (67006611)
7	PS400128		ROLLER BRACKET ASSEMBLY (12580304)
8	PS400129		SCREW, SMALL (67006425)
9	PS400130		SCREW (67006573)
10	PS400131		CLIP, DRIER (10547002)
11	PS400132		DRIER (B2150504)
12	PS400133		EVAPORATOR KIT (INC. EVAP, HT. SHLD, & INST.) (12002041) (INC. EVAPORATOR, HEAT SHIELD, & INSTRUCTION SHEET
13	PS400134		DAM, LEFT RETURN (67001083)
14	PS400135		DAM, RIGHT RETURN (67001084)
15	PS400136		HEATER, EVAPORATOR (67002493)
16	PS400137		CLIP, HEATER
17	PS400138		SHROUD, EVAPORATOR FAN (67002777)
18	PS400139		MOTOR, EVAPORATOR FAN (67003636)
19	PS400140		CLIP, EVAPORATOR MOTOR (67005633)
20	PS400141		GROMMET, FAN MOTOR (67002780)
21	PS400142		FAN, EVAPORATOR
22	PS400143		FOAM GASKET (67001291)
23	PS400144		ROLLER BRACKET (12456801)
24	PS400145		SPEED NUT (M0286708)
25	PS400146		ROLLER (67005127)
26	PS400147		RIVET (M1205302)
27	PS400148		SCREW, CLIP (67006737)
28	PS400013		SCREW, DOOR STOP (67006287)
29	PS400063		THERMISTOR
30	PS400149		COVER, FREEZER THERMISTOR (67003924)
31	PS400150		SCREW, ADJUSTING ROD (67006697)
NI	PS400151		DEFROST THERMOSTAT (67003426)
NI	PS400152		HARNES, EVAPORATOR HEATER (67005574)



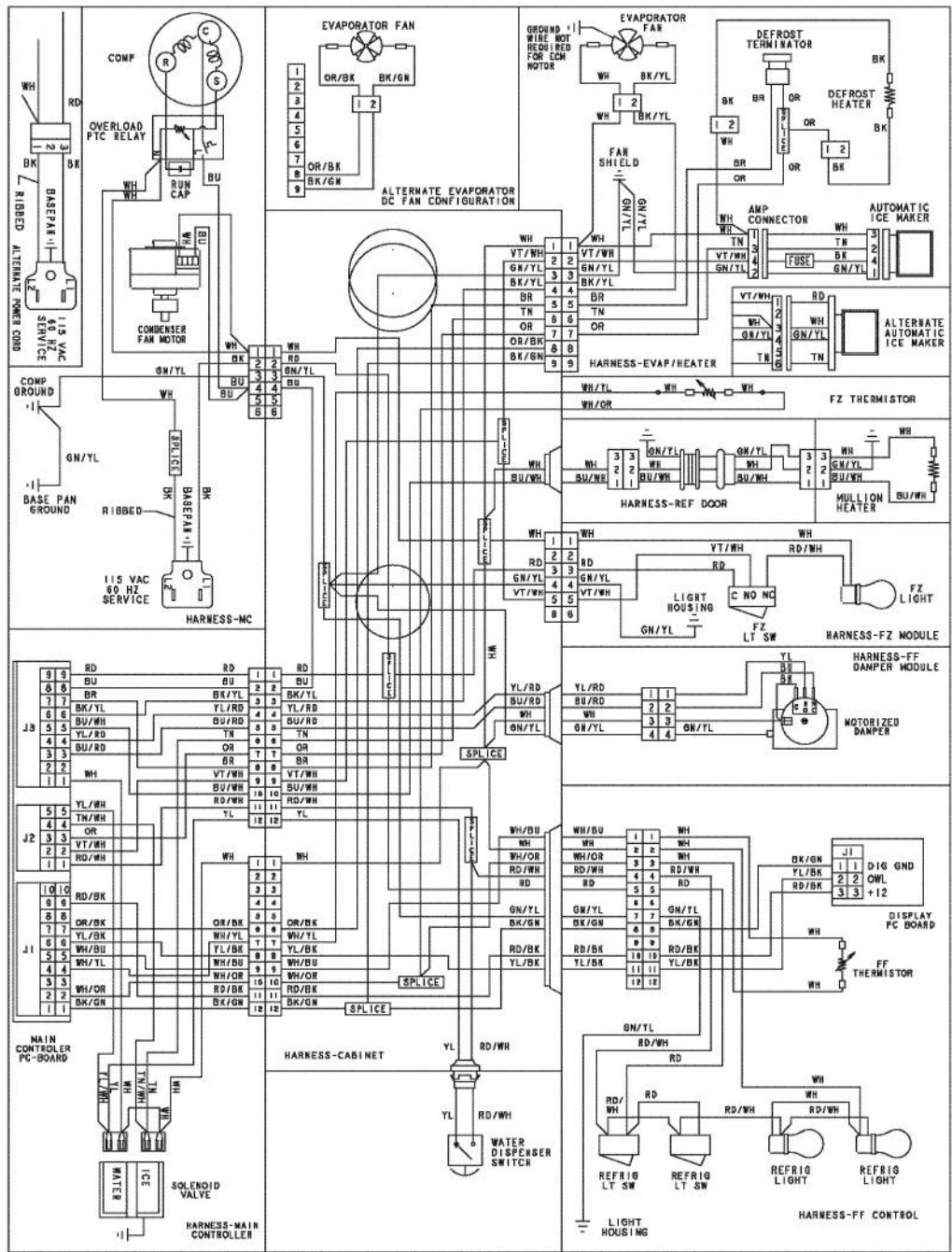
Ref #	Part Number	Qty.	Description
1	PS400153		SCREW, COMPRESSOR (67006432)
2	PS400154		COMPRESSOR KIT (8201555) (INC. COMPRESSOR, OVERLOAD, RELAY, CAPACITOR BALE STRAP, GROMMMETS, & INSTR. SHEET)
3	PS400155		GROUND SCREW (67006433)
4	PS400156		OVERLOAD AND RELAY W/CAPICITOR (67005560)
5	PS400157		DRAIN PAN (67007175)
6	PS400158		GROMMET, COMPRESSOR (67003493)
7	PS400159		SEAL, CONDENSER SHROUD (61003210)
8	PS400160		MOTOR, CONDENSER FAN (67004432)
9	PS400129		SCREW, SMALL (67006425)
10	PS400161		DISCHARGE TUBE (67004700)
11	PS400162		GROMMET CONDENSER (67005680)
12	PS400163		BASE PAN (67005889)
13	PS400164		BALE STRAP (12576801)
14	PS400165		GROMMET BRACKET (61004743)
15	PS400166		CONDENSER (67006131)
16	PS400167		SHROUD, CONDENSER FAN (67001090)
17	PS400168		BLADE, CONDENSER FAN (67004952)
18	PS400169		BRACKET, CONDENSER MOTOR (67004953)
19	PS400170		SCREW, BRACKT (67004954)
NI	PS400171		HARNESS, MC (67005435)



Ref #	Part Number	Qty.	Description
1	PS400172		COVER, MC BACK (67006101)
2	PS400173		COVER, WATER VALVE (67004098)
3	PS400129		SCREW, SMALL (67006425)
4	PS400174		SCREW, VALVE (67006662)
5	PS400175		GASKET
6	PS400176		BLOCK, FILTER (67004092)
7	PS400013		SCREW, DOOR STOP (67006287)
8	PS400177		PLASTIC TUBE (B5705307)
9	PS400178		INSERT, TUBE
10	PS400179		DUAL WATER VALVE (67006531)
11	PS400180		CLIP
12	PS400181		CLIP, SPEED (M0114003)
13	PS400182		CLAMP, TUBE
14	PS400183		COVER, WATER LINE (67003331)
15	PS400184		SCREW, HV BOX (67006550)
16	PS400185		ELBOW, FILL TUBE
17	PS400186		ACOUSTIC FIBER (67003796)
18	PS400187		DUAL TUBE SWEEP (67004101)
19	PS400188		WATERLINE TRACK (67004102)
20	PS400189		COVER, HV BOX (67005421)
NI	PS400190		SCREW, HV BOX COVER (67006615)
21	PS400191		HV BOARD (INC. INSTRUCTIONS)
22	PS400192		BOX, HV CONTROL (67004969)
23	PS400193		SPACER, HV BOX (67005418)
24	PS400194		HARNESS, HV BOARD (67005419)
NI	PS400195		POWER CORD (67006506)



Ref #	Part Number	Qty.	Description
1	PS400196		ICE MAKER ASSEMBLY (INC. MOLD MOLD & HEATER ASSY, ICE EJECTOR, ICE STRIPPER, WATER INLET, AND THERMOSTAT)
NI	PS400197		BRACKET, ICE MAKER (67002823)
NI	PS400013		SCREW, DOOR STOP (67006287)
2	PS400198		COVER, ICE MAKER (67004710)
3	PS400199		ICE EJECTOR
4	PS400200		ICE STRIPPER
5	PS400201		WATER INLET (95100-1)
6	PS400202		IM SHUTOFF ARM (67004028)
7	PS400203		HARNES, ICE MAKER (W10146389)
8	PS400185		ELBOW, FILL TUBE
9	PS400204		BRACKET, MODULE AND HEATER (95107-1)
NI	PS400205		SCREW, BRACKET (95108-1)
10	PS400206		RETAINER, THERMOSTAST (95104-1)
11	PS400180		CLIP
12	PS400207		ICE PAN (67001255)
NI	PS400208		COUPLING (10244904)
NI	PS400209		ICE MAKER HOOK UP KIT (R0131235) (INC. 1/4`` X 25`` COPPER TUBING, SADDLE VALVE, AND 1/4`` COMPRESSION NUT AND SLEEVE)



Ref #	Part Number	Qty.	Description
-------	-------------	------	-------------
