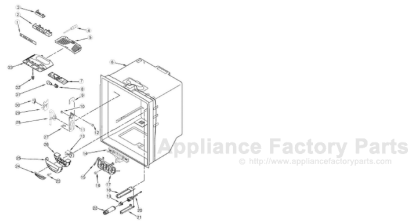


This Owner's Manual is provided and hosted by [Appliance Factory Parts](#).



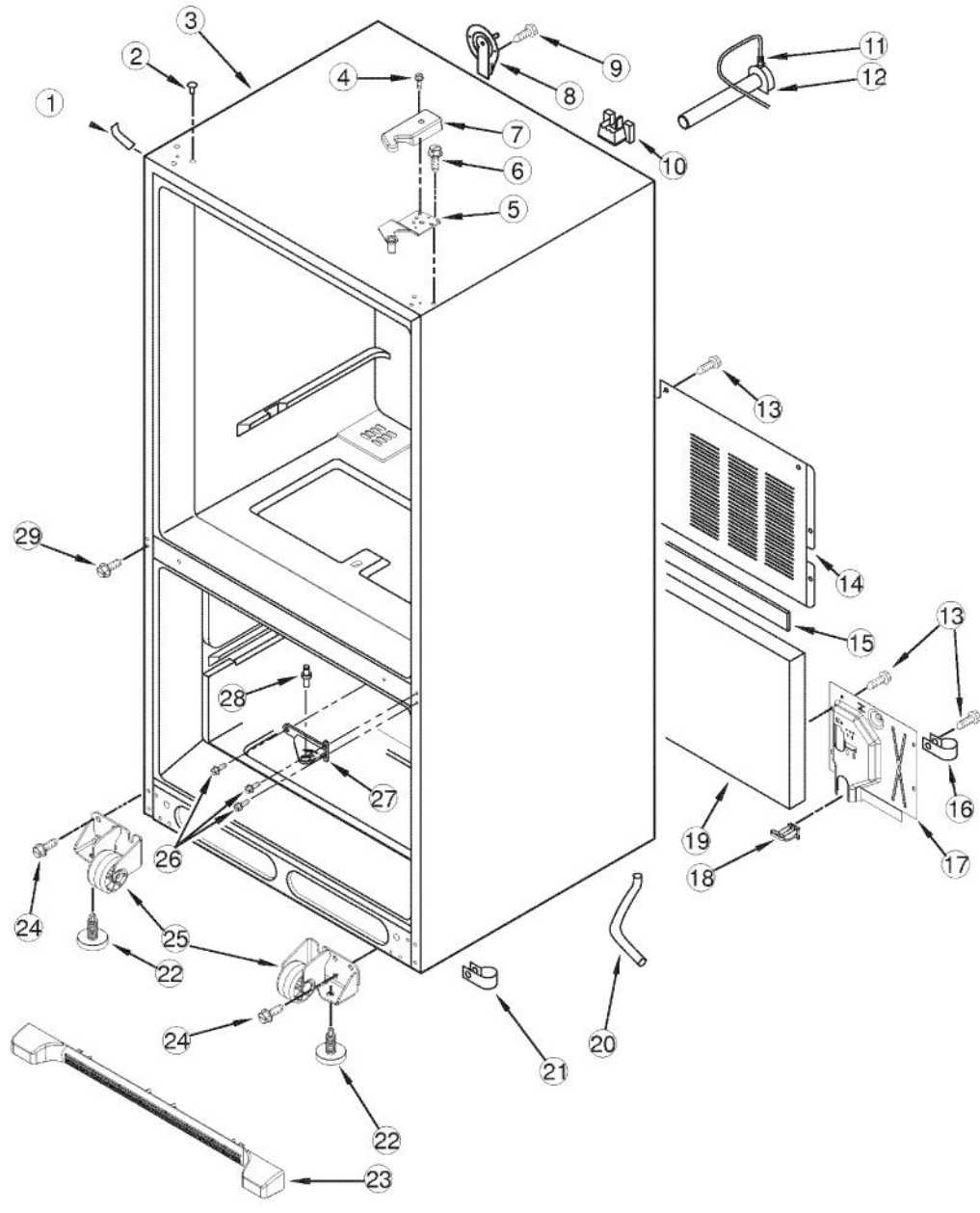
VIKING VCBF036_SERIES_12 Owner's Manual

[Shop genuine replacement parts for VIKING
VCBF036 SERIES 12](#)

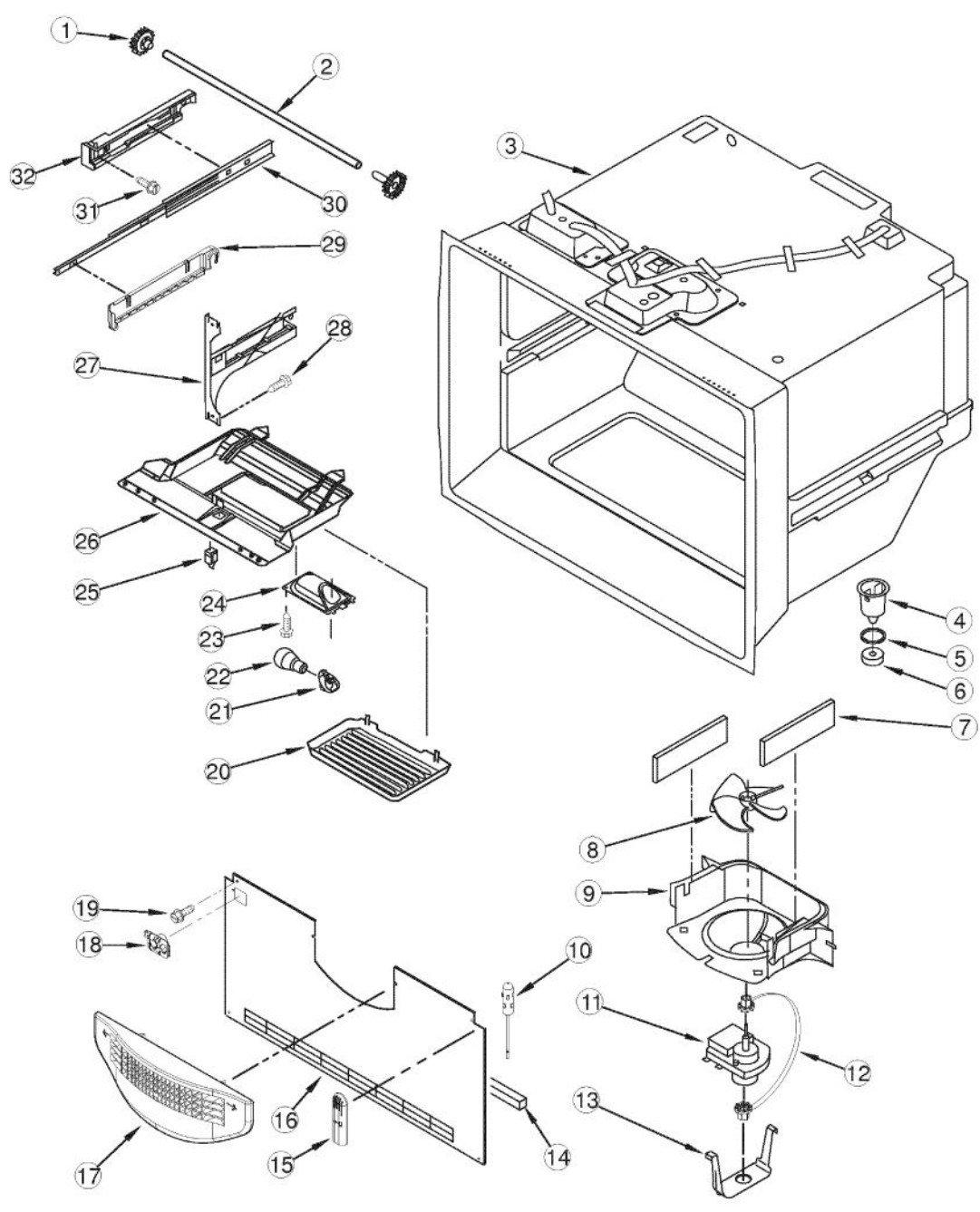


[Find Your VIKING Refrigerator Parts - Select From 341 Models](#)

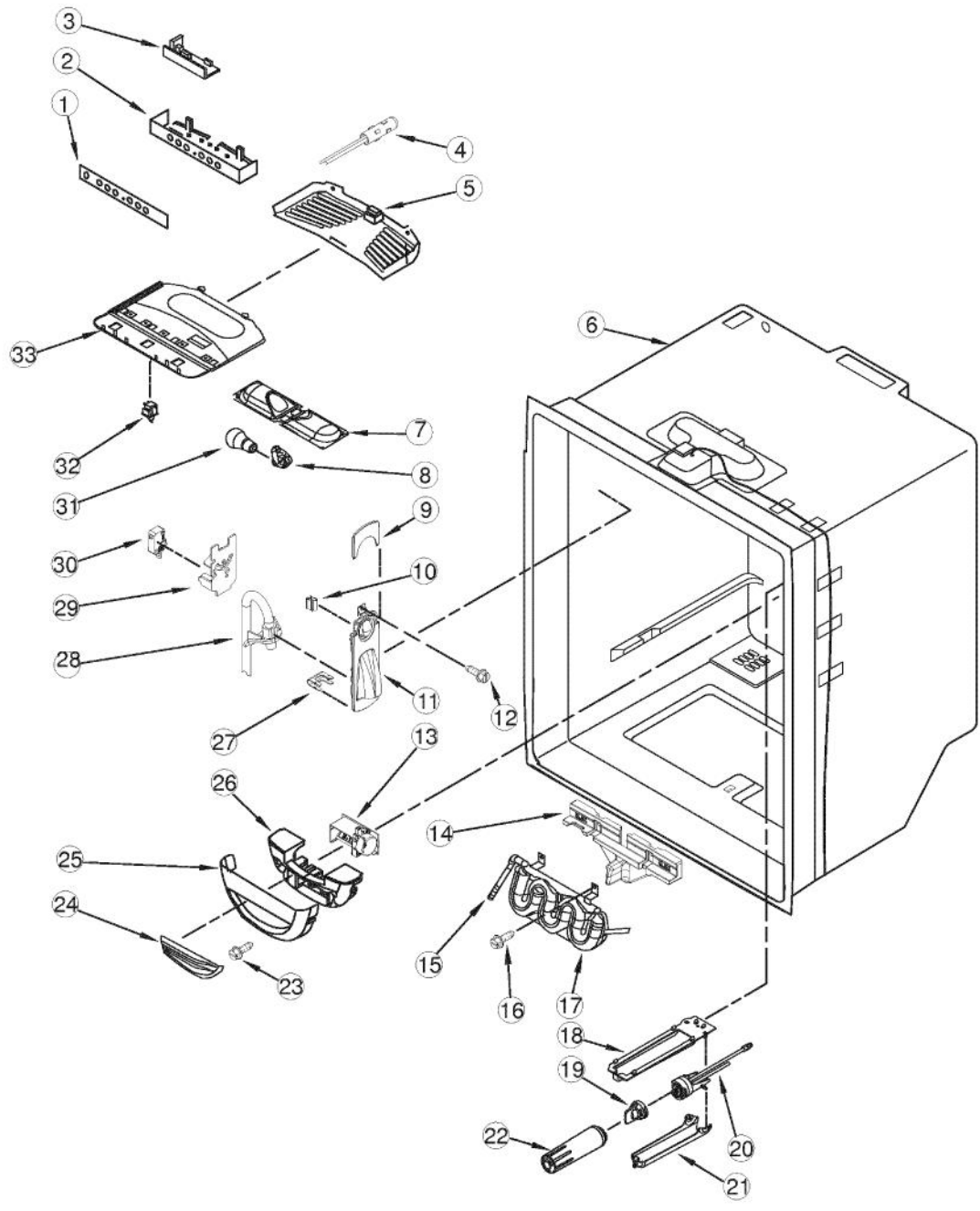
----- Manual continues below -----



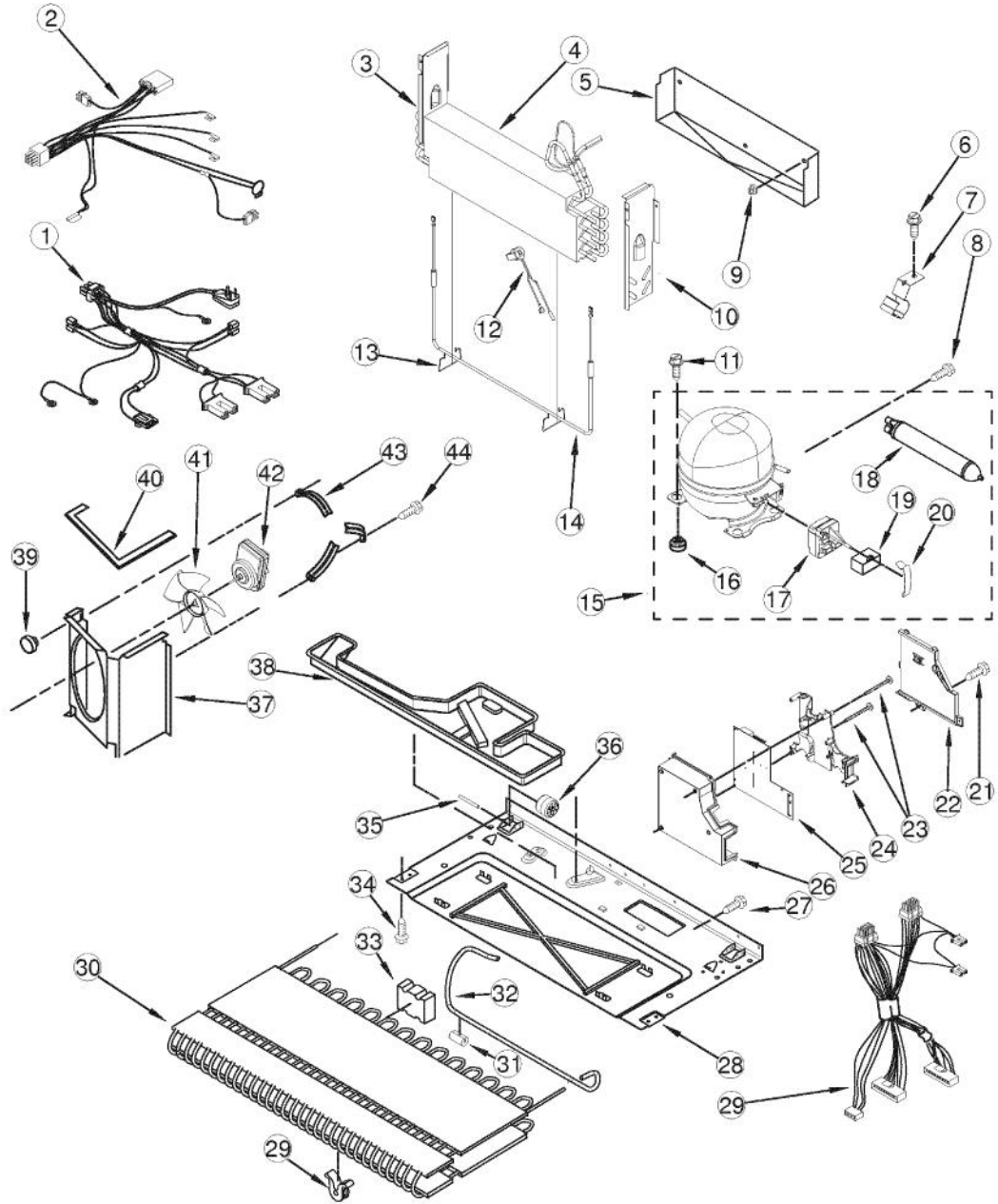
| Ref # | Part Number | Qty. | Description |
|-------|-----------------|------|--|
| 1 | PS400094 | 1 | CORNER COVER (67003485) |
| 2 | PS400011 | 3 | PLUG, BUTTON (BLACK) |
| 3 | NOT REPLACEABLE | 1 | OVEN CAVITY (NOT REPLACEABLE PART) |
| 4 | PS400015 | 1 | SCREW, TOP HINGE COVER (67006521) |
| 5 | 011489-000 | 1 | HINGE, TOP - BK, LT |
| | 011490-000 | 1 | HINGE, TOP - BK, RT |
| 6 | PS400010 | 3 | GEAR (LH & RH) |
| 7 | PS400009 | 1 | COVER, TOP HINGE - LEFT HINGE (67006726) |
| | PS400008 | 1 | COVER, RIGHT HINGE, BLACK |
| 8 | PS400183 | 1 | COVER, WATER LINE (67003331) |
| 9 | PS400013 | 1 | SCREW, DOOR STOP (67006287) |
| 10 | PS400176 | 2 | BLOCK, FILTER (67004092) |
| 11 | PS400181 | 1 | CLIP, SPEED (M0114003) |
| 12 | 011496-000 | 1 | ELBOW, FILL TUBE |
| 13 | PS400129 | 1 | SCREW, SMALL (67006425) |
| 14 | PS400172 | 1 | COVER, MC BACK (67006101) |
| 15 | PS400175 | 1 | GASKET |
| 16 | PS400182 | 1 | CLAMP, TUBE |
| 17 | PS400173 | 1 | COVER, WATER VALVE (67004098) |
| 18 | PS400187 | 1 | DUAL TUBE SWEEP (67004101) |
| 19 | PS400186 | 1 | ACOUSTIC FIBER (67003796) |
| 20 | 011495-000 | 1 | TUBE, DRAIN |
| 21 | 011492-000 | 1 | CLIP, DRAIN TUBE |
| 22 | 011488-000 | 1 | BRAKE, FOOT |
| 23 | 011494-000 | 1 | GRILLE, TOE - BK |
| 24 | PS400282 | 8 | SCREW, BOTTOM HINGE (67006564) |
| 25 | 011485-000 | 1 | ROLLER ASSY, FRONT RT (W10130459) |
| | 011487-000 | 1 | ROLLER ASSY, FRONT LT |
| 26 | PS400024 | 1 | SCREW, CENTER HINGE (67006380) |
| 27 | PS400233 | 1 | CENTER HINGE (67002027) |
| 28 | PS400022 | 1 | PIN, CENTER HINGE (67006642) |
| 29 | PS400042 | 1 | SCREW, SMALL (67006400) |



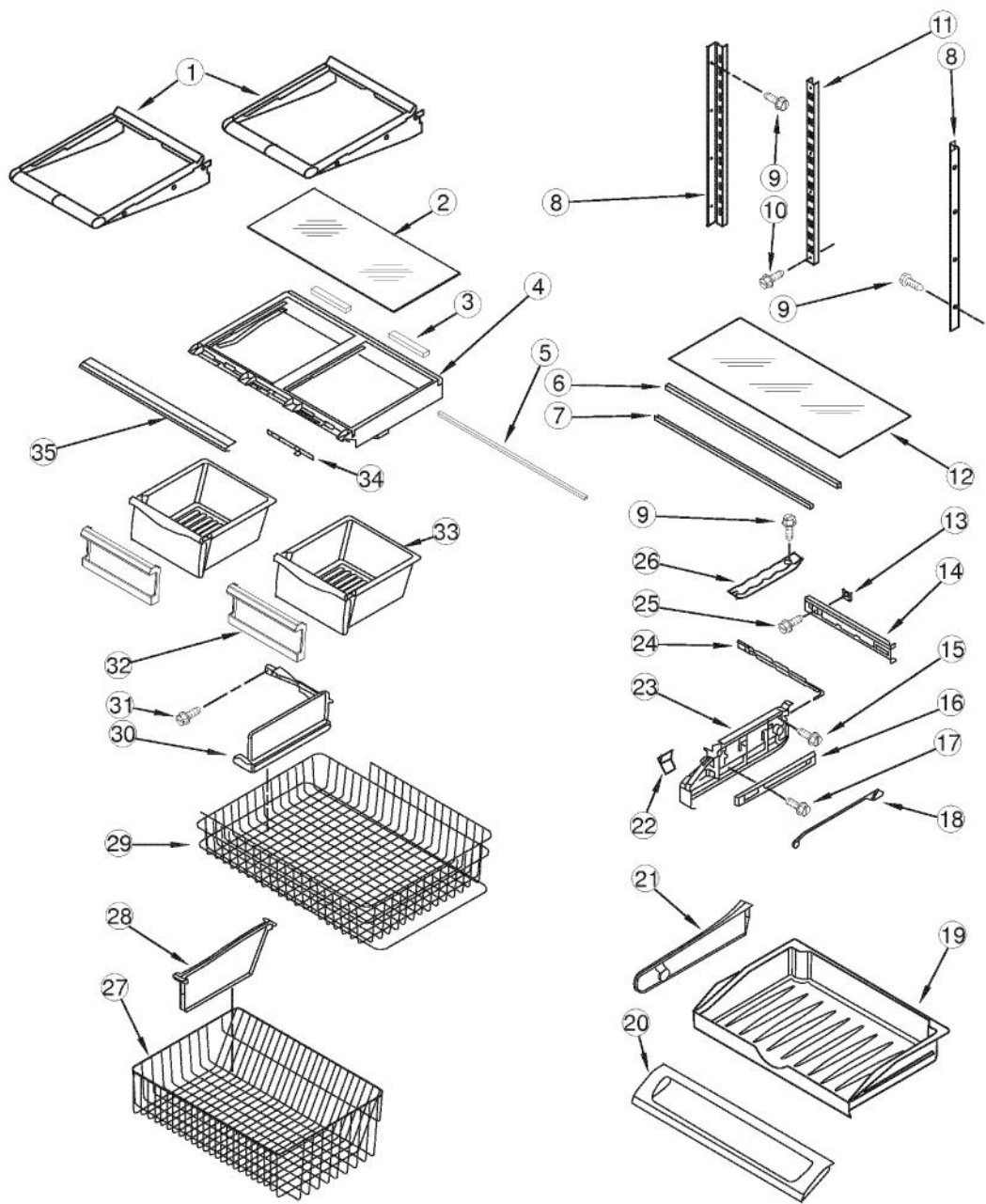
| Ref # | Part Number | Qty. | Description |
|-------|-----------------|------|--|
| 1 | 011497-000 | 2 | GEAR, LT/RT |
| 2 | PS400108 | 1 | SHAFT, RACK (67004017) |
| 3 | NOT REPLACEABLE | 1 | OVEN CAVITY (NOT REPLACEABLE PART) |
| 4 | PS400092 | 1 | FUNNEL, DRAIN |
| 5 | PS400091 | 1 | SEAL, O-RING |
| 6 | PS400090 | 1 | GASKET, DRAIN TUBE |
| 7 | PS400143 | 1 | FOAM GASKET (67001291) |
| 8 | 001507-000 | 1 | WIRING DIAGRAM VGIC48-6G (NON-ADH) |
| 9 | 001506-000 | 1 | VGIC364Q WIRING DIAGRAM (NON-ADHESIVE) |
| 10 | PS400353 | 1 | THERMISTOR |
| 11 | PS400139 | 1 | MOTOR, EVAPORATOR FAN (67003636) |
| 12 | 001508-000 | 1 | WIRING DIAGRAM VGIC48-6Q (NON-ADH) |
| 13 | 001503-000 | 1 | PRO 27 INSULATION RETAINER (BEFORE 7/17/06) |
| 14 | PS400126 | 1 | GASKET (A3189396) |
| 15 | PS400149 | 1 | COVER, FREEZER THERMISTOR (67003924) |
| 16 | PS400125 | 1 | COVER, EVAPORATOR (67005873) |
| 17 | 001505-000 | 1 | VGIC364G WIRING DIAGRAM (NON-ADHESIVE) |
| 18 | 001509-000 | 1 | WIRING DIAGRAM - VGIC48-4G (NON-ADH) |
| 19 | PS400129 | 4 | SCREW, SMALL (67006425) |
| 20 | PS400058 | 1 | COVER, FREEZER LIGHT (67003905) |
| 21 | 011498-000 | 1 | SOCKET, LIGHT |
| 22 | 001499-000 | 1 | PRO 30`` INSULATION RETAINER KIT (AFTER 7-17-06) |
| 23 | PS400062 | 1 | SCREW, HOUSING (67006530) |
| 24 | PS400060 | 1 | LIGHT HOUSING (67001035) |
| 25 | PS400061 | 1 | LIGHT SWITCH / INTERLOCK (12002646) |
| 26 | PS400059 | 1 | MODULE, FREEZER CONTROL (67003906) |
| 27 | 001500-000 | 1 | PRO 30`` INSULATION RETAINER KIT (BEFORE 7-17-06) |
| | 001501-000 | 1 | PRO 27`` INSULATION RETAINER KIT (AFTER 7-17-06) |
| 28 | PS400101 | 8 | SCREW, BRACKET (67006473) |
| 29 | PS400116 | 1 | BASKET CRADLE - LEFT TRACK (67004728) |
| | PS400117 | 1 | BASKET CRADLE - RIGHT TRACK (67004729) |
| 30 | 001504-000 | 1 | SLIDE, DRAWER |
| 31 | PS400093 | 6 | SCREW, ADAPTER (67006406) |
| 32 | PS400118 | 1 | ADAPTER - LEFT TRACK (67004971) |
| | PS400119 | 1 | ADAPTER RIGHT TRACK (67004972) |
| NI | 001510-000 | 1 | WIRING DIAGRAM - VGIC488-4GQ (NON-ADH) |



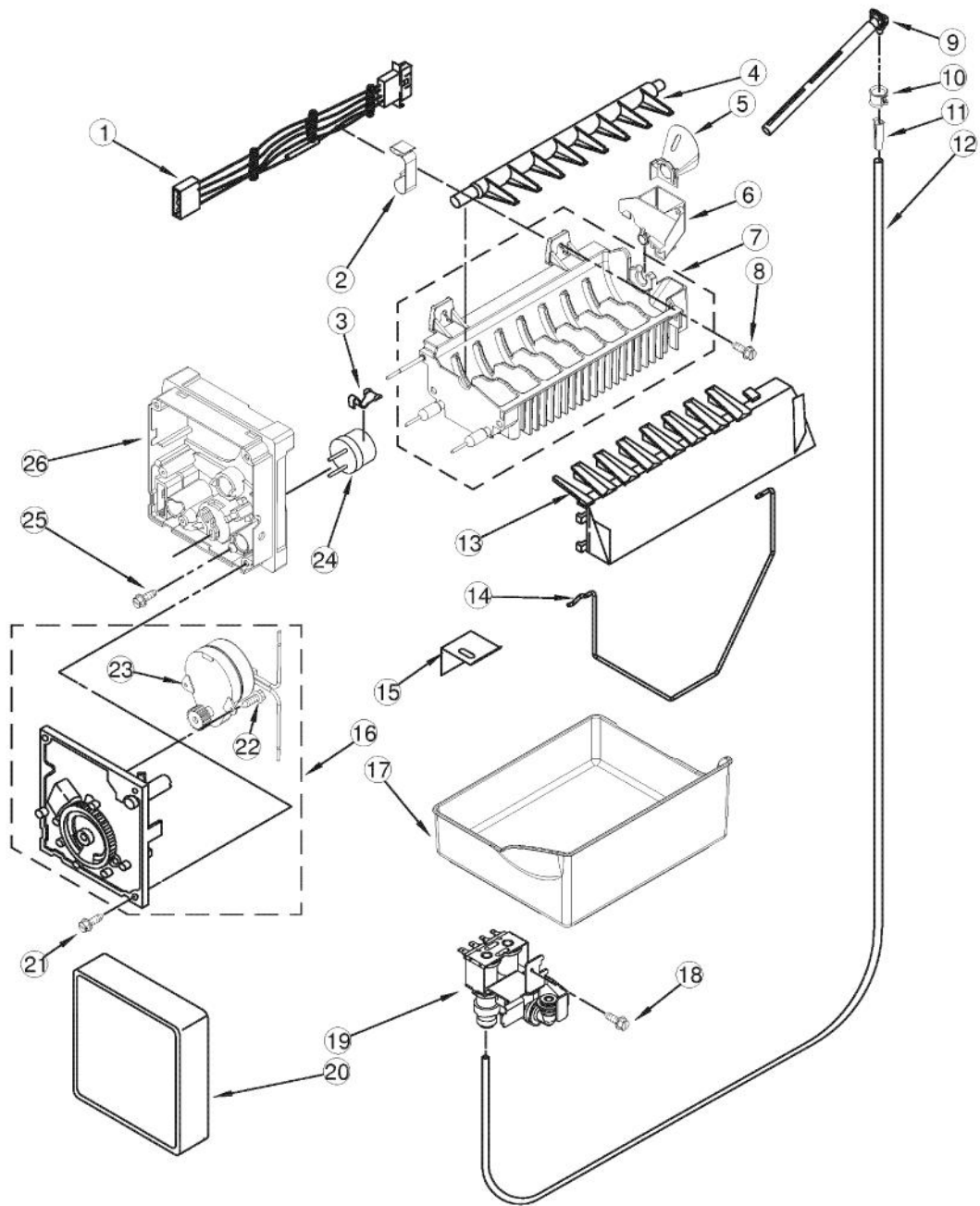
| Ref # | Part Number | Qty. | Description |
|-------|-----------------|------|---|
| 1 | PS400055 | 1 | KEYBOARD CONTROL |
| 2 | 011512-000 | 1 | MODULE, CONTROL |
| 3 | PS400048 | 1 | CONTROL BOARD (W10207861) |
| 4 | PS400353 | 1 | THERMISTOR |
| 5 | PS400046 | 1 | COVER, REFRIGERATOR LIGHT (67003897) |
| 6 | NOT REPLACEABLE | 1 | OVEN CAVITY (NOT REPLACEABLE PART) |
| 7 | PS400052 | 1 | LIGHT HOUSING (67003901) |
| 8 | 0011515-000 | 1 | SOCKET, LIGHT |
| 9 | PS400038 | 1 | TOP, FACADE DISPENSER (67006733) |
| 10 | PS400032 | 2 | FACADE CLIP (B8390302) |
| 11 | 001518-000 | 1 | FACADE, DISP. |
| 12 | PS400042 | 2 | SCREW, SMALL (67006400) |
| 13 | 011517-000 | 1 | CONTROL, DAMPER |
| 14 | 001520-000 | 1 | INSULATION, WATER TANK |
| 15 | PS400040 | 1 | UNION (5/16 X 5/16) |
| 16 | PS400013 | 2 | SCREW, DOOR STOP (67006287) |
| 17 | 001519-000 | 1 | TANK, WATER |
| 18 | PS400029 | 1 | FILTER BACKING PLATE (67001668) |
| 19 | PS400041 | 1 | BYPASS PLUG (12664501) |
| 20 | PS400030 | 1 | WATER FILTER HEAD (W/TUBING) (67006524) |
| 21 | PS400031 | 1 | COVER, FILTER |
| 22 | SALES ITEM | 1 | WATER FILTER |
| 23 | PS400051 | 2 | SCREW, DAMPER BASE (67006602) |
| 24 | PS400050 | 1 | INSERT, DAMPER COVER (67003900) |
| 25 | PS400049 | 1 | DAMPER COVER (67003899) |
| 26 | PS400057 | 1 | INSULATION, DAMPER CONTROL (67006604) |
| 27 | PS400037 | 1 | WATER LINE CLIP (67002816) |
| 28 | PS400036 | 1 | WATER LINE GUIDE (67002743) |
| 29 | PS400034 | 1 | SWITCH PLATE (67002742) |
| 30 | PS400035 | 1 | SWITCH, LIMIT |
| 31 | 011513-000 | 2 | BASE,CURB,FRONT,SST,36 CUSTOM RANGES |
| 32 | PS400044 | 1 | LIGHT SWITCH (C3680310) |
| 33 | 011511-000 | 2 | MODULE, LIGHT |
| NI | PS400064 | 1 | HARNESS, FF CONTROL (67005644) |



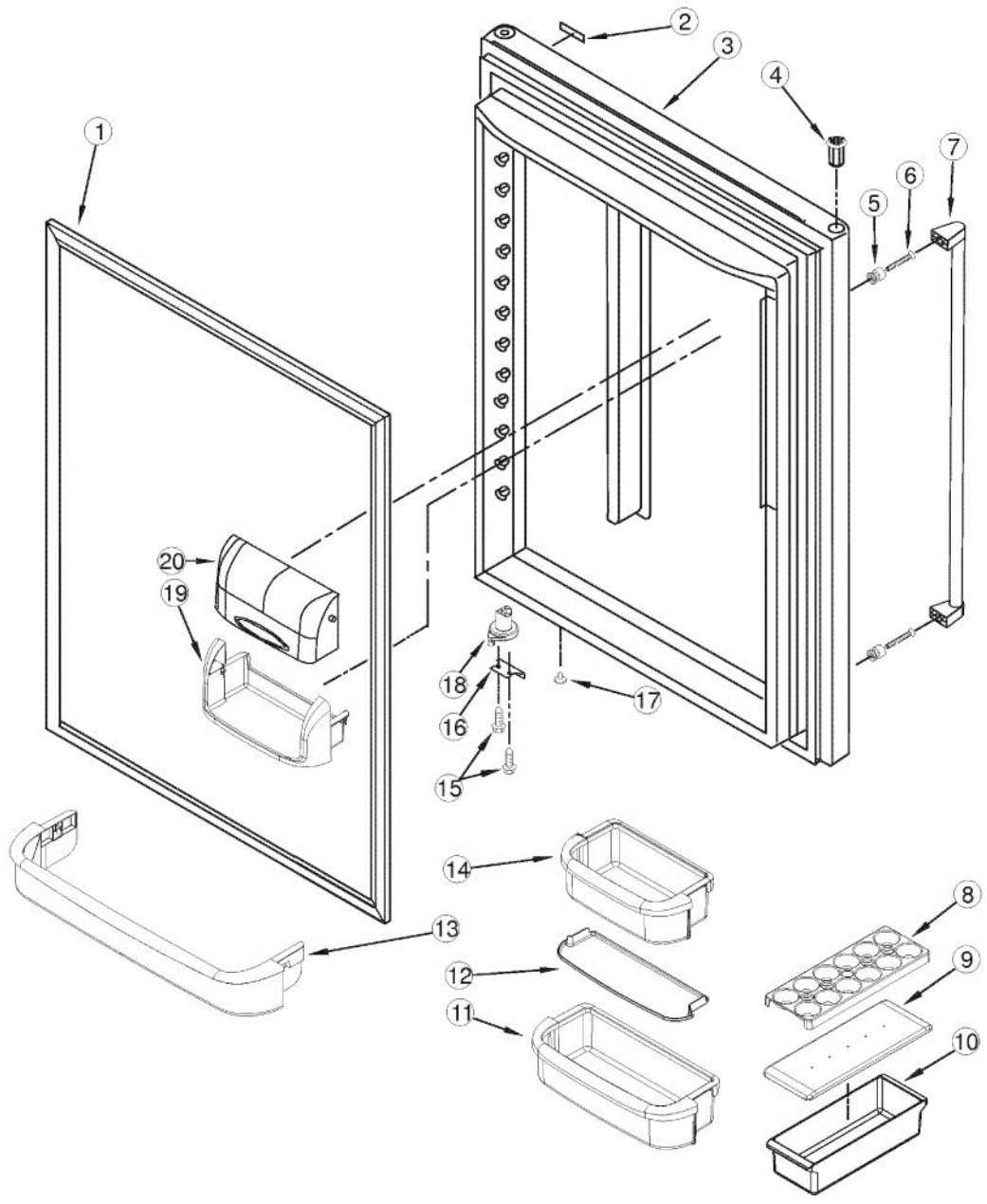
| Ref # | Part Number | Qty. | Description |
|-------|-------------|------|-------------------------------------|
| 1 | 011552-000 | 1 | HARNESS, UNIT W/POWER CORD |
| 2 | 011542-000 | 1 | HARNESS, EVAP. HEATER |
| 3 | PS400135 | 1 | DAM, RIGHT RETURN (67001084) |
| 4 | PS400143 | 1 | FOAM GASKET (67001291) |
| 5 | PS400123 | 1 | DRIP TRAY, E-CT (67002490) |
| 6 | PS400148 | 1 | SCREW, CLIP (67006737) |
| 7 | 011556-000 | 1 | CLIP, DRIER |
| 8 | PS400155 | 1 | GROUND SCREW (67006433) |
| 9 | PS400124 | 1 | CLIP, EVAPORATOR |
| 10 | PS400134 | 1 | DAM, LEFT RETURN (67001083) |
| 11 | PS400153 | 3 | SCREW, COMPRESSOR (67006432) |
| 12 | 011546-000 | 1 | THERMOSTAT, DEFROST |
| 13 | 011548-000 | 1 | CLIP, HEATER |
| 14 | PS400136 | 1 | HEATER, EVAPORATOR (67002493) |
| 15 | PS400154 | 1 | COMPRESSOR KIT (8201555) |
| 16 | PS400158 | 4 | GROMMET, COMPRESSOR (67003493) |
| 17 | 011544-000 | 1 | RELAY, START |
| 18 | 011553-000 | 1 | DRIER |
| 18 | 011555-000 | 2 | AXLE, ROLLER |
| 19 | PS400182 | 1 | CLAMP, TUBE |
| 20 | 011543-000 | 1 | CLIP, CAPACITOR |
| 21 | PS400190 | 3 | SCREW, HV BOX COVER (67006615) |
| 22 | PS400189 | 1 | COVER, HV BOX (67005421) |
| 23 | PS400184 | 1 | SCREW, HV BOX (67006550) |
| 24 | PS400193 | 1 | SPACER, HV BOX (67005418) |
| 25 | 011562-000 | 1 | BOARD, HV CONTROL |
| 26 | 011561-000 | 1 | BOX, HV |
| 27 | PS400129 | 1 | SCREW, SMALL (67006425) |
| 28 | PS400163 | 1 | BASE PAN (67005889) |
| 29 | 011560-000 | 4 | GROMMET, CONDENSER |
| 29 | PS400194 | 1 | HARNESS, HV BOARD (67005419) |
| 30 | PS400166 | 1 | CONDENSER (67006131) |
| 31 | PS400162 | 2 | GROMMET CONDENSER (67005680) |
| 32 | PS400161 | 1 | DISCHARGE TUBE (67004700) |
| 33 | 011541-000 | 1 | BLOCK, CONDENSER |
| 34 | PS400130 | 1 | SCREW (67006573) |
| 36 | 011559-000 | 2 | ROLLER |
| 37 | 011554-000 | 1 | SHROUD |
| 38 | PS400157 | 1 | DRAIN PAN (67007175) |
| 39 | PS400165 | 3 | GROMMET BRACKET (61004743) |
| 40 | PS400159 | 1 | SEAL, CONDENSER SHROUD (61003210) |
| 41 | 011540-000 | 1 | BLADE, FAN |
| 42 | 011547-000 | 1 | MOTOR, FAN |
| 43 | PS400169 | 1 | BRACKET, CONDENSER MOTOR (67004953) |
| 44 | PS400170 | 1 | SCREW, BRACKT (67004954) |
| NI | 011564-000 | 1 | VALVE, ACCESS (1/4) |
| NI | 011566-000 | 1 | VALVE, ACCESS (5/16) |
| NI | 011567-000 | 1 | VALVE, ACCESS (3/8) |
| NI | 011568-000 | 1 | VALVE, ACCESS (1/2) |
| NI | 011569-000 | 1 | VALVE, ACCESS (5/8) |
| NI | 011571-000 | 1 | VALVE, ACCESS (3/4) |
| NI | 011572-000 | 1 | VALVE, ACCESS (3/16) |



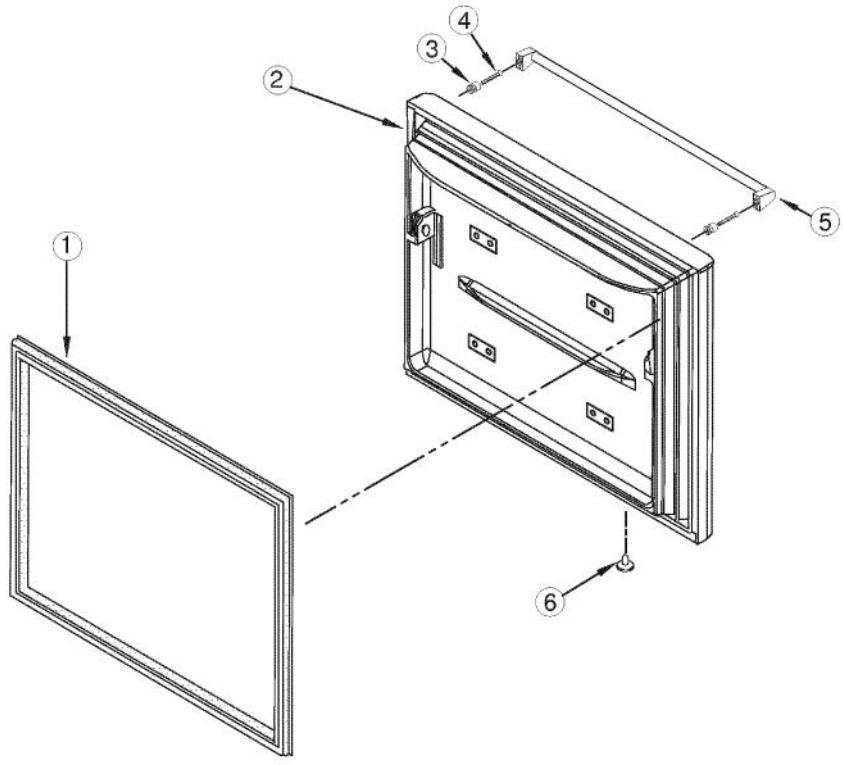
| Ref # | Part Number | Qty. | Description |
|-------|-------------|------|--|
| 1 | PS400066 | 4 | SHELF, GLIDE OUT (67003169) |
| 2 | 011575-000 | 1 | GLASS, CRISPER COVER |
| 3 | 011573-000 | 1 | GASKET |
| 4 | PS400068 | 1 | FRAME, CRISPER (67006185) |
| 5 | PS400073 | 1 | BRACE, CRISPER |
| 6 | PS400075 | 2 | EXTRUSION, GLASS SUPPORT (67006010) |
| 7 | PS400079 | 1 | BRACE, PANTRY (67002330) |
| 8 | PS400105 | 2 | RAIL, SHELF SUPPORT - RH / LH (67002489) |
| 9 | PS400042 | 3 | SCREW, SMALL (67006400) |
| 10 | PS400106 | 2 | SCREW, CENTER RAIL (67006360) |
| 11 | PS400104 | 1 | RAIL, SHELF SUPPORT - CENTER (67001073) |
| 12 | PS400074 | 1 | GLASS, PANTRY (67002332) |
| 13 | PS400082 | 1 | GASKET, PANTRY (67002329) |
| 14 | PS400081 | 1 | CONTROL HOUSING (67005625) |
| 15 | PS400078 | 4 | SCREW, END CAP (67006415) |
| 16 | 011574-000 | 1 | GLIDE, PANTRY |
| 17 | PS400013 | 4 | SCREW, DOOR STOP (67006287) |
| 18 | PS400086 | 1 | BAR, TEMP CONTROL (67003794) |
| 19 | PS400087 | 1 | DRAWER, PANTRY (67003530) |
| 20 | 011576-000 | 1 | LID, PANTRY |
| 21 | PS400089 | 1 | DIVIDER, PANTRY (67002321) |
| 22 | PS400085 | 1 | KNOB, TEMP CONTROL (67003791) |
| 23 | PS400076 | 1 | END CAP, LH PANTRY |
| 23 | PS400077 | 1 | END CAP, RH PANTRY |
| 24 | PS400083 | 1 | TEMP CONTROL SLIDE (67003793) |
| 25 | PS400042 | 1 | SCREW, SMALL (67006400) |
| 26 | PS400080 | 1 | TRACK, DELI DRAWER (67001719) |
| 27 | PS400109 | 1 | LOWER FREEZER BASKET (67006026) |
| 28 | PS400114 | 1 | DIVIDER, LOWER BASKET (67004812) |
| 29 | PS400107 | 1 | UPPER FREEZER BASKET (67004988) |
| 30 | PS400111 | 1 | DIVIDER, UPPER BASKET (67004127) |
| 31 | PS400112 | 1 | SCREW, UPPER DIVIDER (67006608) |
| 32 | PS400069 | 1 | FRONT, CRISPER PAN (67005926) |
| 33 | PS400071 | 1 | CRISPER PAN (67002659) |
| 37 | PS400070 | 1 | SLIDE, HUMIDITY CONTROL (Y67001287) |
| 38 | PS400072 | 1 | EXTRUSION, CRISPER FRONT (W10231489) |



| Ref # | Part Number | Qty. | Description |
|-------|-------------|------|-----------------------------|
| 1 | 011589-000 | 1 | HARNESS, ICE MAKER |
| 2 | 011578-000 | 1 | CLAMP |
| 3 | 011585-000 | 1 | RETAINER, THERMOSTAT |
| 4 | 011582-000 | 1 | ICE EJECTOR |
| 5 | 011594-000 | 1 | FUNNEL, FILL TUBE |
| 6 | 011581-000 | 1 | CUP, FILL |
| 7 | 011580-000 | 1 | MOLD & HEATER ASSEMBLY |
| 8 | 011579-000 | 1 | SCREW |
| 9 | 011593-000 | 1 | ELBOW, FILL TUBE |
| 10 | PS400181 | 1 | CLIP, SPEED (M0114003) |
| 11 | PS400178 | 1 | INSERT, TUBE |
| 12 | PS400177 | 1 | PLASTIC TUBE (B5705307) |
| 13 | 011583-000 | 1 | ICE STRIPPER |
| 14 | PS400202 | 1 | IM SHUTOFF ARM (67004028) |
| 15 | 011577-000 | 1 | BRACKET, ICE MAKER |
| 16 | 011590-000 | 1 | MODULE ASSEMBLY |
| 17 | PS400207 | 1 | ICE PAN (67001255) |
| 18 | PS400174 | 1 | SCREW, VALVE (67006662) |
| 19 | PS400179 | 1 | DUAL WATER VALVE (67006531) |
| 20 | PS400198 | 1 | COVER, ICE MAKER (67004710) |
| 21 | 011588-000 | 1 | SCREW |
| 22 | 011592-000 | 1 | SCREW |
| 23 | 011591-000 | 1 | MOTOR |
| 24 | 011586-000 | 1 | THERMOSTAT |
| 25 | 011587-000 | 1 | SCREW |
| 26 | 011584-000 | 1 | SUPPORT, HOUSING |



| Ref # | Part Number | Qty. | Description |
|-------|-------------|------|--|
| 1 | 011599-000 | 1 | GASKET, DOOR - BK |
| 2 | SALES ITEM | 1 | WATER FILTER |
| 3 | 023697-000 | 1 | DOOR, REFRIGERATOR-LT, SS |
| | 013507-000 | 1 | RIGHT HAND DOOR, SS |
| 4 | PS400000 | 1 | DOOR BUSHING (BLACK) (67004978) |
| 5 | PS400213 | 1 | MOUNT, HANDLE 67006109 |
| 6 | 011598-000 | 1 | SCREW |
| 7 | PS400429 | 1 | HANDLE ASSY (INC. END CAPS) 67006758 |
| 8 | 011600-000 | 1 | TRAY, EGG |
| 9 | PS400088 | 1 | LID, PANTRY (67006736) |
| 10 | 011601-000 | 1 | BIN, UTILITY |
| 11 | PS400019 | 2 | LARGE DOOR SHELF (INC. GRIPPER) (67006728) |
| 12 | PS400021 | 2 | GRIPPER, LARGE (67006729) |
| | PS400026 | 1 | GRIPPER, MEDIUM (67006731) |
| 13 | PS400020 | 1 | RETAINER, REFRIGERATOR DOOR (67003027) |
| 14 | PS400025 | 1 | BUCKET, MEDIUM (W/GRIPPER) |
| 15 | PS400013 | 1 | SCREW, DOOR STOP (67006287) |
| 16 | PS400012 | 1 | 180 DEGREE DOOR STOP BK (67003780) |
| 17 | PS400016 | 2 | PLUG, VENT (67004838) |
| 18 | PS400014 | 1 | DOOR CLOSURE (67003639) |
| 19 | PS400017 | 1 | DAIRY TRAY (67001279) |
| 20 | PS400018 | 1 | DAIRY DOOR (67006727) |



| Ref # | Part Number | Qty. | Description |
|-------|-------------|------|--------------------------|
| 1 | 011604-000 | 1 | GASKET, DOOR - BK |
| 2 | 010556-000 | 1 | 1 HOLE FREEZER DOOR (BM) |
| 3 | PS400213 | 1 | MOUNT, HANDLE 67006109 |
| 4 | 011635-000 | 1 | SCREW |
| 5 | 011603-000 | 1 | PAN, DRAIN |
| 6 | PS400016 | 2 | PLUG, VENT (67004838) |