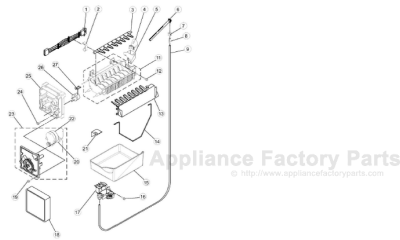


This Owner's Manual is provided and hosted by [Appliance Factory Parts](#).



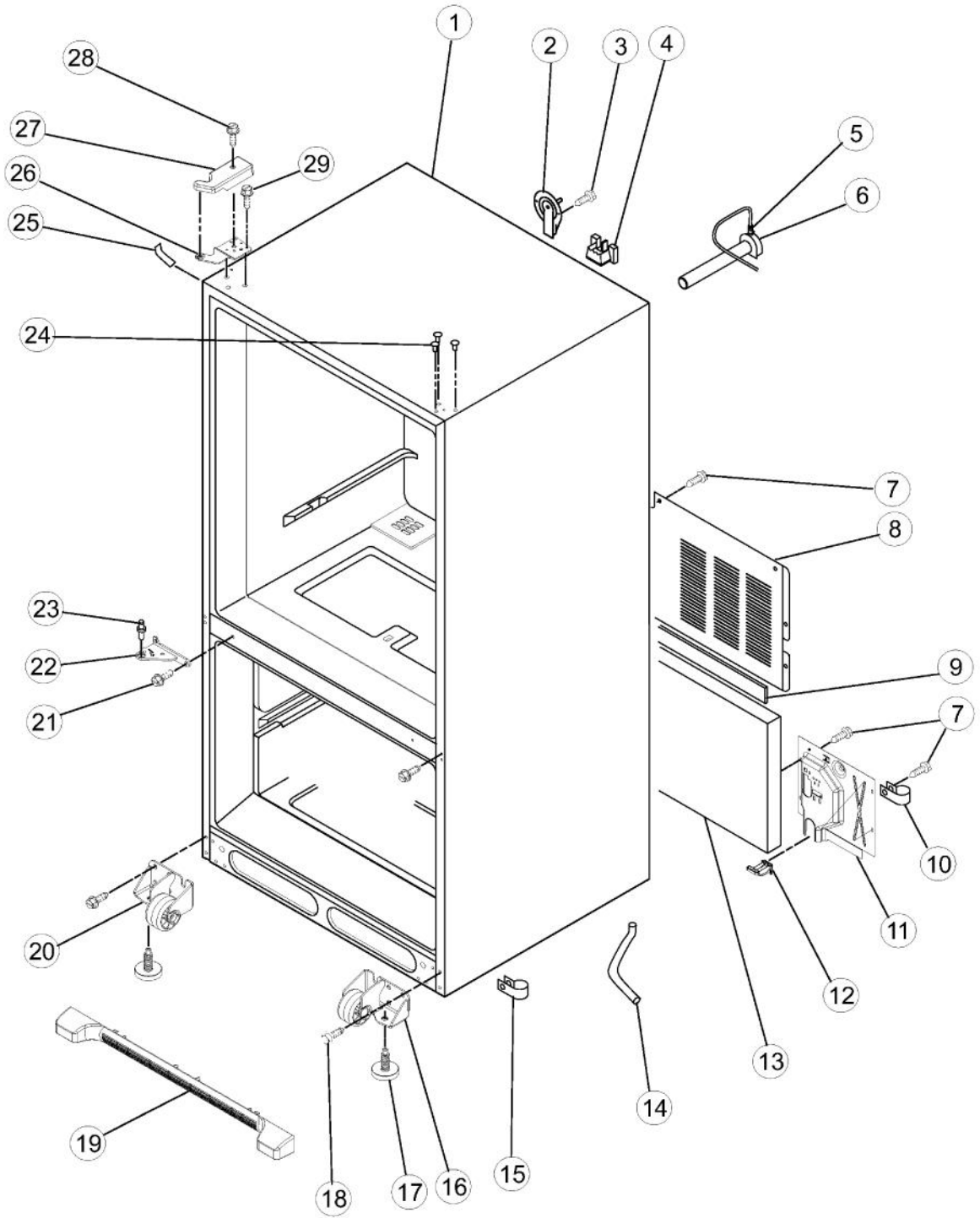
VIKING VCBF136LSS3 Owner's Manual

**[Shop genuine replacement parts for VIKING
VCBF136LSS3](#)**

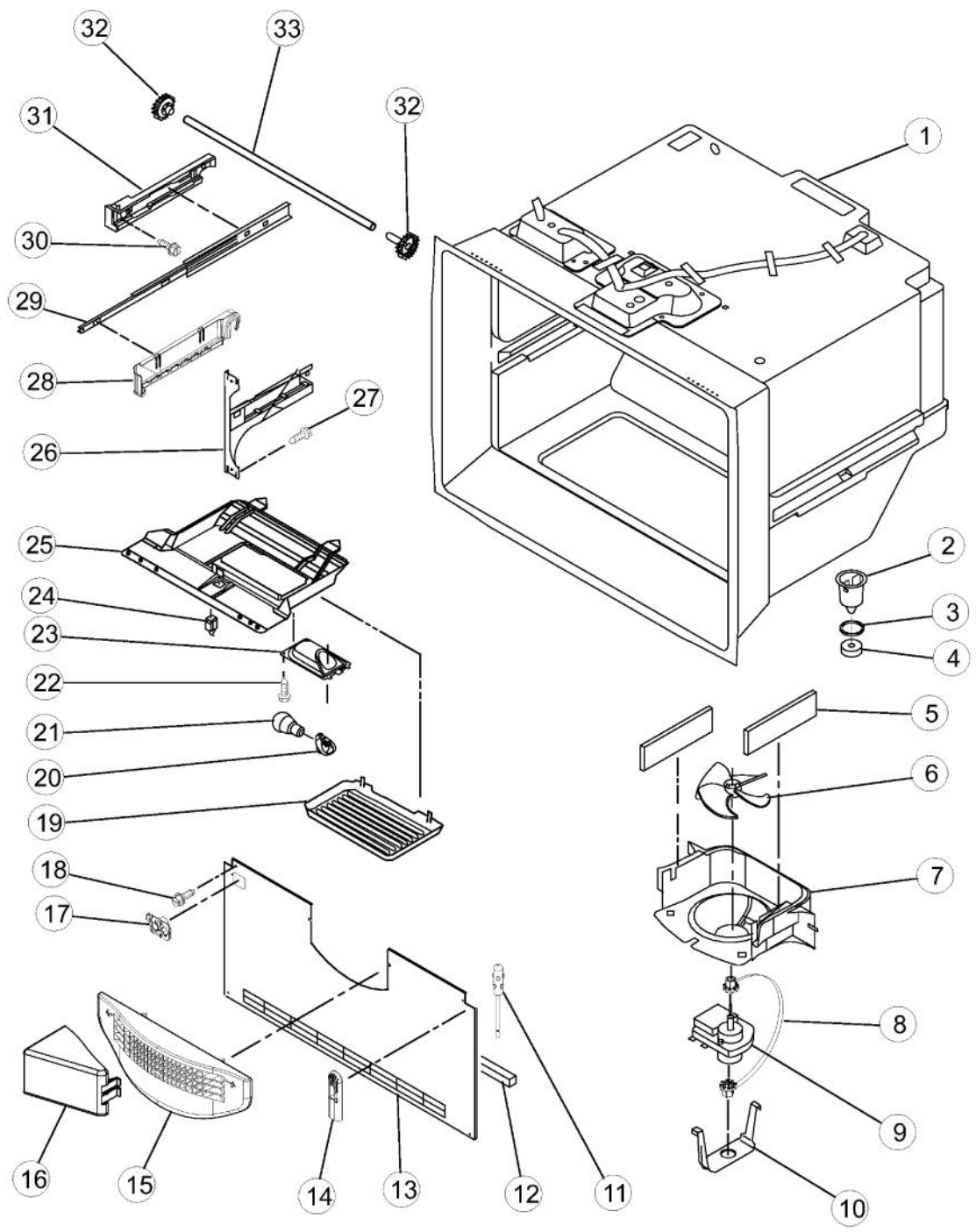


[Find Your VIKING Refrigerator Parts - Select From 341 Models](#)

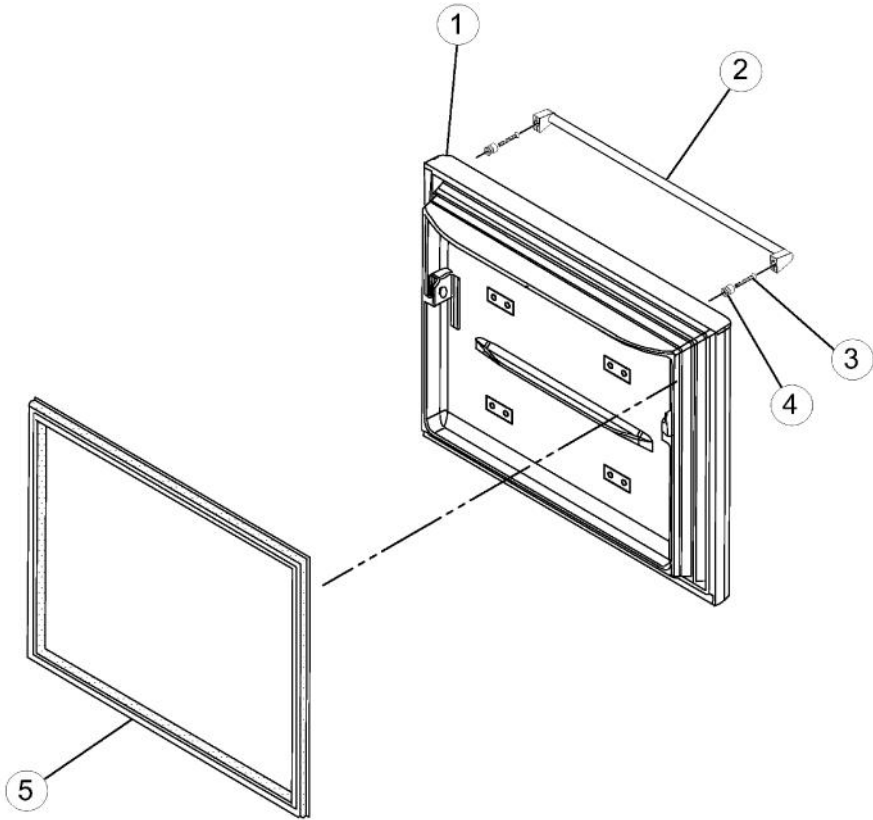
----- Manual continues below -----



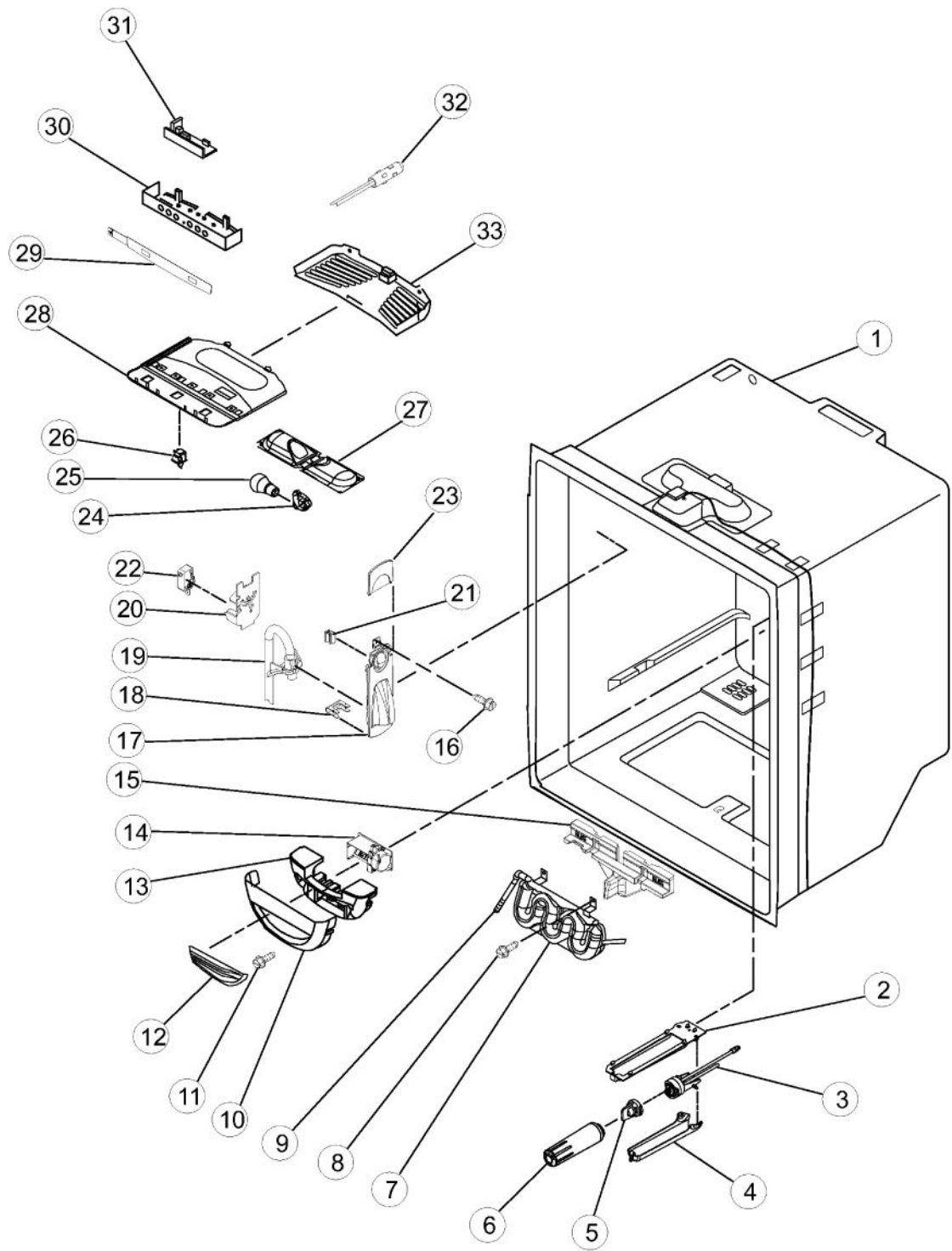
Ref #	Part Number	Qty.	Description
1	NON-SERVICEABLE	1	TUB WELDMENT
2	021685-000	1	COVER, WATER LINE
3	021711-000	1	SCREW
4	017003-000	2	BLOCK, FILTER
5	021795-000	1	CLIP, SPEED
6	PS400185	1	ELBOW, FILL TUBE
7	021714-000	1	SCREW
8	017010-000	1	COVER, UNIT
9	PS400175	1	GASKET
10	PS400182	1	CLAMP, TUBE
11	017008-000	1	COVER, WATER VALVE
12	021700-000	1	DUAL TUBE SWEEP
13	021871-000	1	FIBER, ACOUSTIC
14	011495-000	1	TUBE, DRAIN
15	011492-000	1	CLIP, DRAIN TUBE
16	021847-000	1	ROLLER ASSY., FRONT RIGHT
17	011488-000	1	BRAKE, FOOT
18	021728-000	8	SCREW
19	PS400103	1	TOE GRILLE (BLACK)
20	021848-000	1	ROLLER ASSY., FRONT LEFT
21	021730-000	1	SCREW
22	020629-000	1	HINGE, DOOR, APOLLO GRAY
23	021662-000	1	PIN, CENTER HINGE
24	PS400011	3	PLUG, BUTTON (BLACK)
25	017004-000	1	CORNER COVER (APOLLO GREY)
26	022155-000	1	HINGE, TOP LEFT
27	017001-000	1	COVER, LEFT HINGE (APOLLO GREY)
28	021734-000	1	SCREW
29	021733-000	3	SCREW



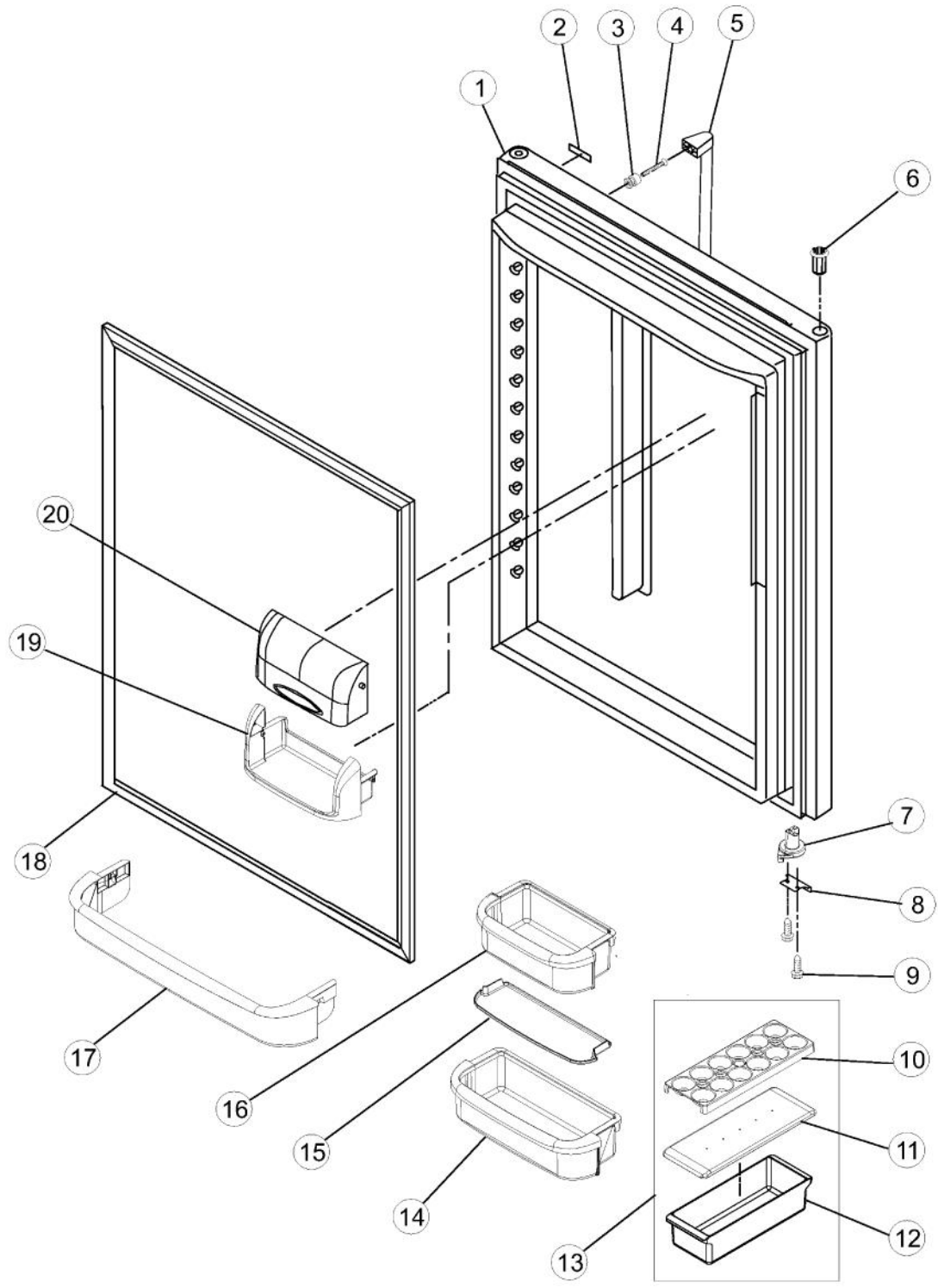
Ref #	Part Number	Qty.	Description
1	NON-SEVICEABLE	1	LINER
2	PS400092	1	FUNNEL, DRAIN
3	PS400091	1	SEAL, O-RING
4	PS400090	1	GASKET, DRAIN TUBE
5	017011-000	1	GASKET, FOAM
6	PS400142	1	FAN, EVAPORATOR
7	021738-000	1	SHROUD, EVAPORATOR FAN
8	017015-000	1	GROMMET
9	021740-000	1	MOTOR, EVAPORATOR
10	PS400124	1	CLIP, EVAPORATOR
11	PS400353	1	THERMISTOR
12	021788-000	1	GASKET, FOAM
13	021667-000	1	COVER, EVAPORATOR
14	021696-000	1	COVER, THERMISTOR
15	021736-000	1	GRILLE, FZ AIR
16	017115-000	1	DIVERTER, AIR
17	021704-000	1	GUIDE, FILL TUBE
18	021714-000	4	SCREW
19	021689-000	1	COVER, FREEZER LIGHT
20	021765-000	1	SOCKET, LIGHT
21	021812-000	1	BULB, LIGHT
22	021783-000	1	SCREW
23	021759-000	1	HOUSING, LIGHT
24	021669-000	1	SWITCH, LIGHT
25	021690-000	1	MODULE, FREEZER CONTROL
26	010915-000	1	BRACKET, DOOR, LEFT
NI	010916-000	1	BRACKET, DOOR, RIGHT
27	021724-000	8	SCREW
28	017016-000	1	CRADLE, BASKET - LEFT
NI	017017-000	1	CRADLE, BASKET - RIGHT
29	011504-000	2	SLIDE, DRAWER
30	021710-000	6	SCREW
31	017018-000	1	ADAPTER, SLIDE - LEFT
NI	017019-000	1	ADAPTER, SLIDE - RIGHT
32	PS400100	1	GEAR (LH / RH)
33	021917-000	1	SHAFT, RACK



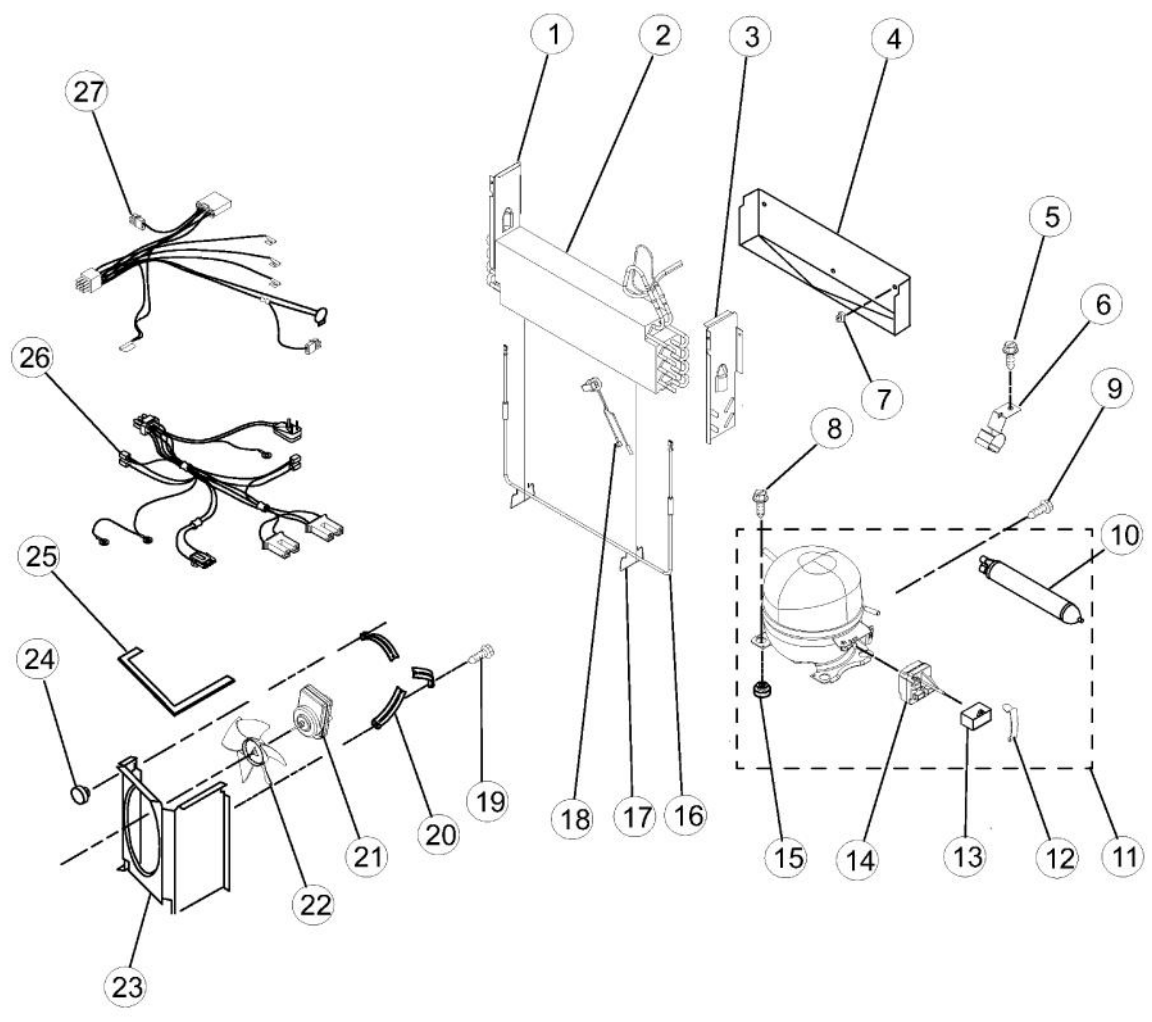
Ref #	Part Number	Qty.	Description
1	021867-000	1	DOOR, FREEZER (SS)
2	021865-000	1	HANDLE, DOOR (SS)
3	021918-000	2	SCREW
4	021567-000	2	STUD, HANDLE
5	017032-000	1	GASKET, FREEZER DOOR (BLACK)



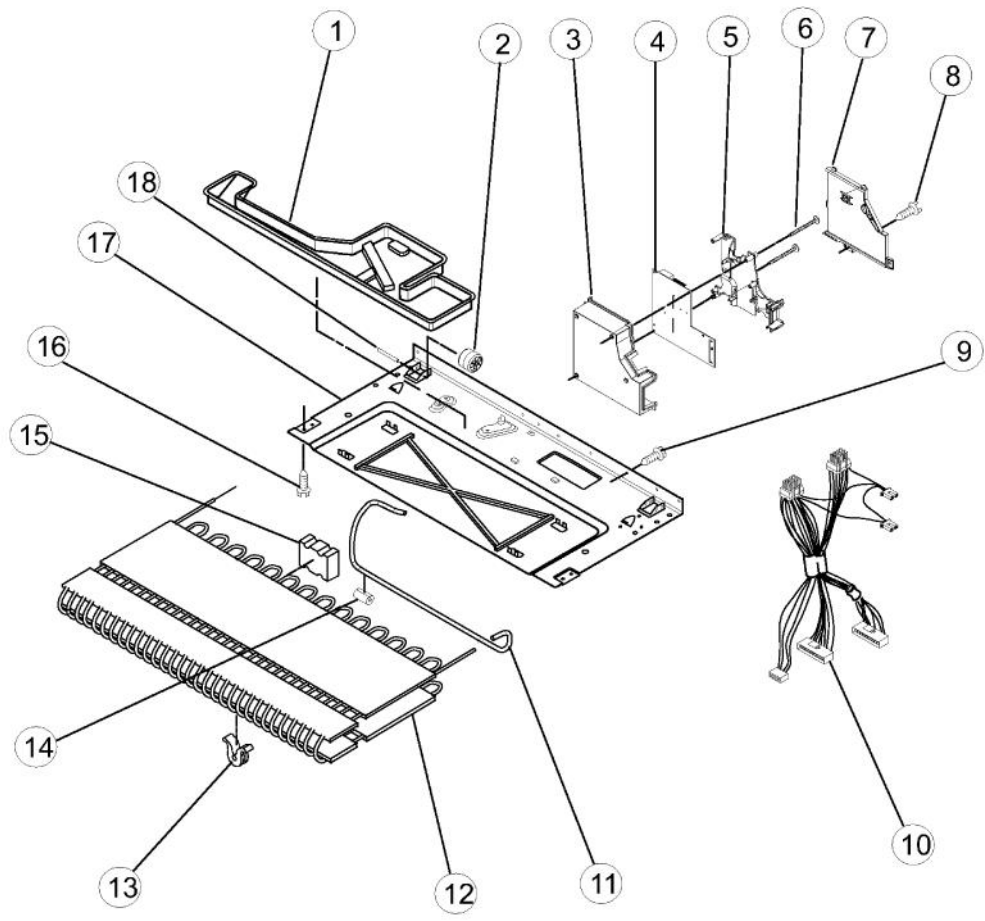
Ref #	Part Number	Qty.	Description
1	NON-SEVICEABLE	1	LINER
2	021681-000	1	PLATE
3	022156-000	1	HEAD, WATER FILTER
4	PS400031	1	COVER, FILTER
5	022157-000	1	PLUG, BYPASS
6	SALES ITEM	1	WATER FILTER
7	021879-000	1	TANK, WATER
8	021711-000	2	SCREW
9	PS400040	1	UNION (5/16 X 5/16)
10	021694-000	1	COVER, DAMPER
11	021725-000	2	SCREW
12	021695-000	1	INSERT, DAMPER COVER
13	017025-000	1	INSULATION
14	017026-000	1	CONTROL, DAMPER
15	017029-000	1	INSULATION, WATER TANK
16	021719-000	2	SCREW
17	017027-000	1	FA?ADE, DISPENSER
18	021757-000	1	WATER LINE CLIP
19	021776-000	1	GUIDE, WATERLINE
20	017028-000	1	PLATE, SWITCH
21	021791-000	2	CLIP, FA?ADE
22	PS400035	1	SWITCH, LIMIT
23	021683-000	1	FA?ADE, DISPENSER (TOP)
24	021765-000	2	SOCKET, LIGHT
25	021812-000	2	BULB, LIGHT
26	021792-000	1	SWITCH, LIGHT
27	021781-000	1	LIGHT HOUSING
28	022158-000	1	LIGHT MODULE
29	017117-000	1	KEYBOARD
30	021692-000	1	HOUSING, CONTROL
31	021881-000	1	CONTROL BOARD
32	PS400353	1	THERMISTOR
33	021693-000	1	COVER, LIGHT



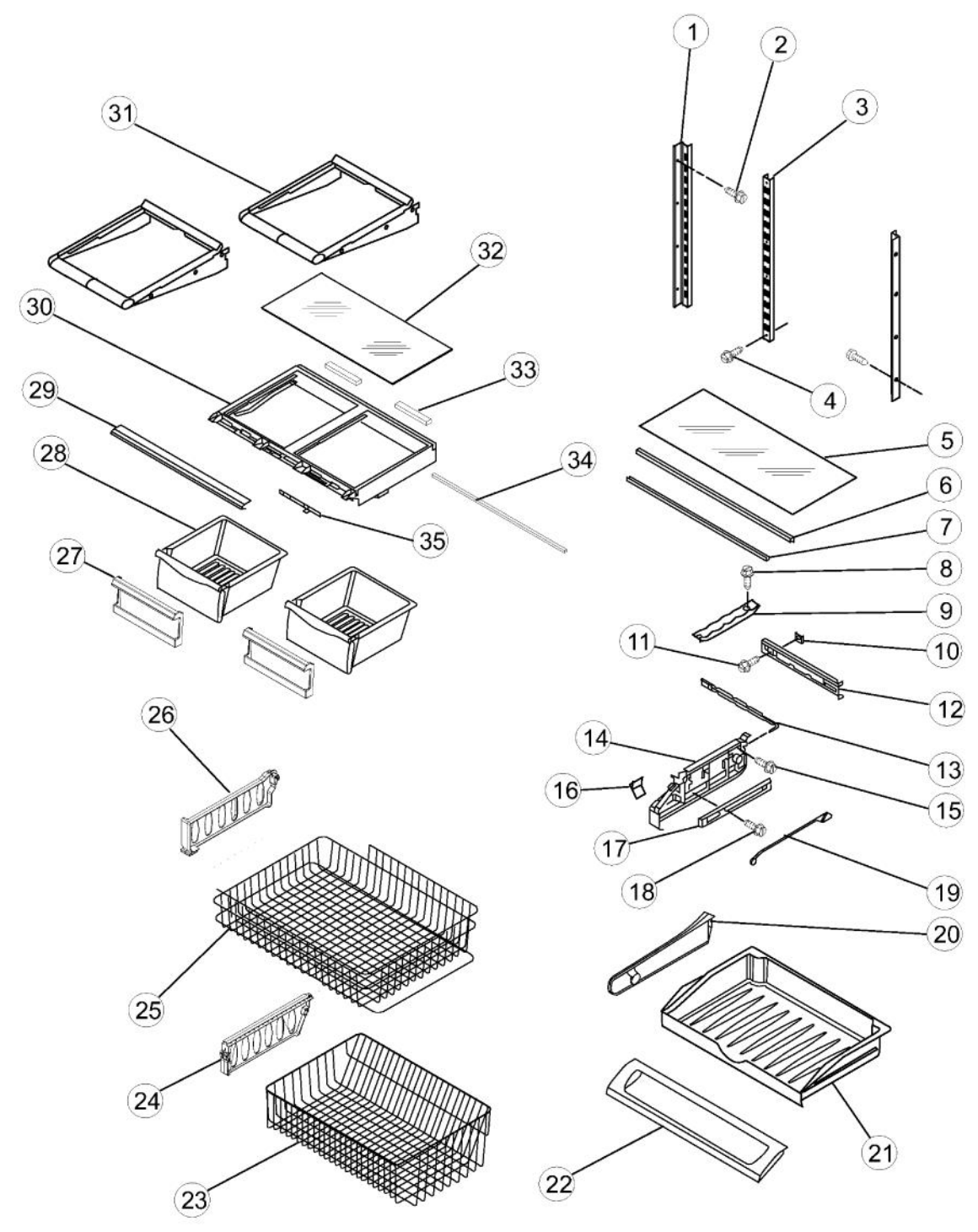
Ref #	Part Number	Qty.	Description
1	028560-000	1	DOOR, REFRIGERATOR-LEFT (SS)
2	SALES ITEM	1	WATER FILTER
3	021567-000	1	STUD, HANDLE
4	021918-000	2	SCREW
5	021865-000	2	HANDLE, DOOR (SS)
6	017100-000	2	BUSHING, DOOR - UPPER RIGHT (APOLLO GREY)
7	017103-000	1	CLOSURE, DOOR (APOLLO GREY)
8	017023-000	1	STOP, DOOR (APOLLO GREY)
9	021711-000	1	SCREW
10	017162-000	1	TRAY, EGG
11	017098-000	1	LID, UTILITY
12	017097-000	1	BIN, UTILITY
13	PM910332	1	ACCESORY ASSY
14	022160-000	2	BUCKET, LARGE (W/GRIPPER)
15	022161-000	2	GRIPPER, LARGE
16	PS400025	1	BUCKET, MEDIUM (W/GRIPPER)
17	017077-000	1	RETAINER, DOOR
18	022163-000	1	GASKET, DOOR (APOLLO GREY)
19	021758-000	1	TRAY, DAIRY
20	021780-000	1	DOOR, DAIRY
NI	022162-000	1	GRIPPER, MEDIUM



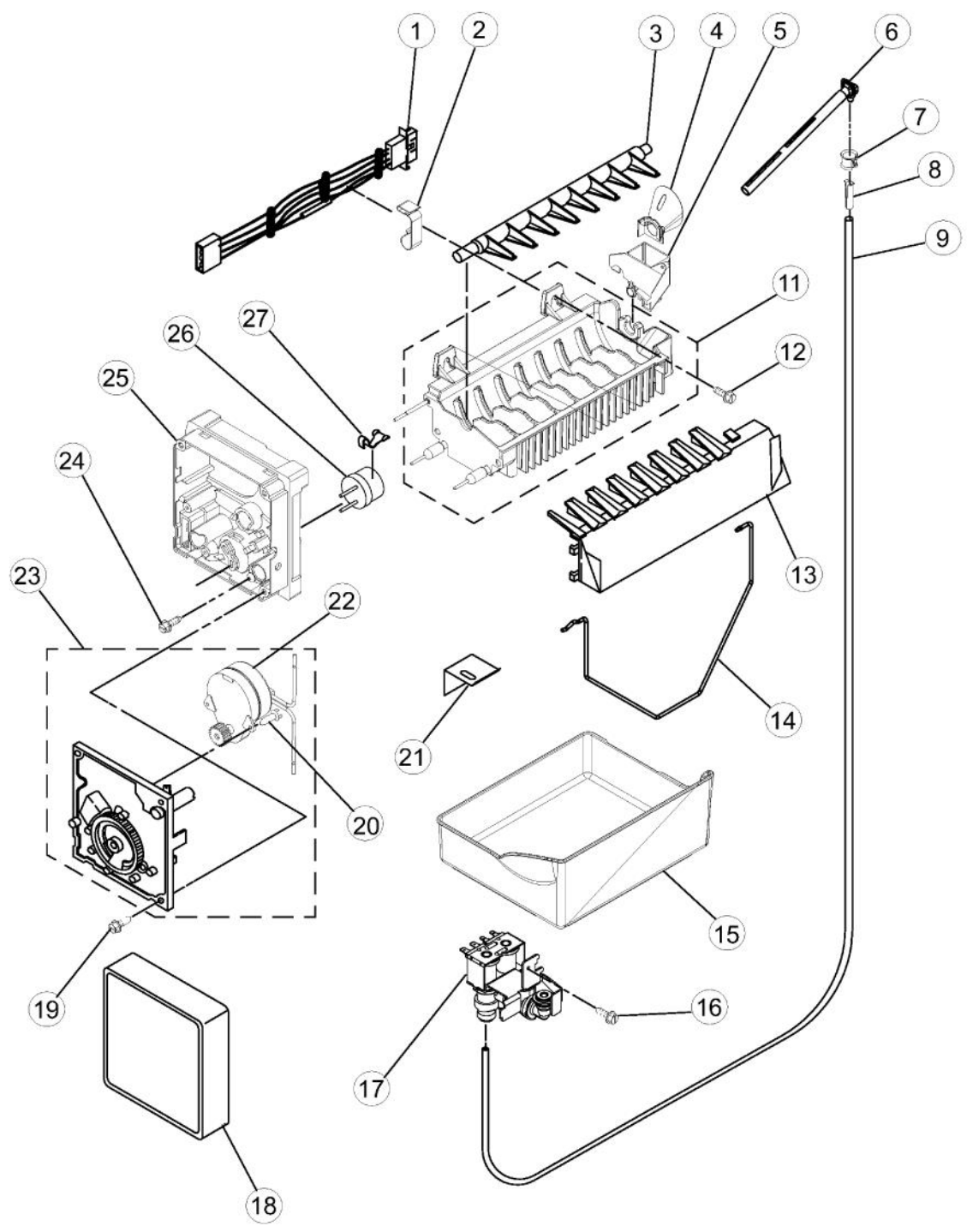
Ref #	Part Number	Qty.	Description
1	021884-000	1	DAM, LEFT SIDE
2	017046-000	1	EVAPORATOR KIT (INCL. EVAP., HEAT SHIELD & INSTR.)
3	021883-000	1	DAM, RIGHT SIDE
4	017109-000	1	TRAY, DRIP
5	021726-000	1	SCREW
6	017056-000	1	CLIP, DRIER
7	PS400124	1	CLIP, EVAPORATOR
8	017045-000	3	SCREW (12846902)
9	021731-000	1	SCREW, GROUND
10	017051-000	1	DRIER
11	022164-000	1	COMPRESSOR KIT
12	022165-000	1	CLIP, CAPACITOR
13	022166-000	1	CAPACITOR
14	022167-000	1	RELAY, START
15	021750-000	4	GROMMET
16	021889-000	1	HEATER, DEFROST
17	PS400137	1	CLIP, HEATER
18	021890-000	1	THERMOSTAST, DEFROST
19	021891-000	3	SCREW
20	021892-000	1	BRACKET, FAN MOTOR
21	021698-000	1	MOTOR, FAN
22	017030-000	1	BLADE, FAN
23	017055-000	1	SHROUD
24	PS400165	3	GROMMET BRACKET (61004743)
25	017040-000	1	GASKET (61003210)
26	017050-000	1	HARNESS, UNIT W/ POWER CORD
27	017036-000	1	HARNESS, EVAP. HEATER



Ref #	Part Number	Qty.	Description
1	017037-000	1	PAN, DRAIN
2	021670-000	2	ROLLER ASSY., REAR
3	021905-000	1	BOX, HV CONTROL
4	022962-000	1	BOARD, CONTROL
5	021906-000	1	SPACER, HV BOX
6	021908-000	2	SCREW
7	021901-000	1	COVER, HV BOX
8	021903-000	3	SCREW
9	021714-000	2	SCREW
10	017054-000	1	HARNESS, HV BOARD
11	017078-000	1	TUBE, DISCHARGE
12	021900-000	1	CONDENSER
13	017057-000	4	GROMMET (W10137529)
14	021858-000	2	GROMMET
15	017080-000	1	BLOCK, CONDENSER
16	021743-000	4	SCREW
17	017031-000	1	BASEPAN
18	021671-000	2	AXLE - ROLLER



Ref #	Part Number	Qty.	Description
1	021838-000	2	LADDER, RH / LH
2	021719-000	5	SCREW
3	021846-000	1	LADDER, CENTER
4	021723-000	2	SCREW
5	021911-000	1	GLASS, PANTRY
6	021773-000	2	SUPPORT, PANTRY
7	017110-000	2	BRACE, PANTRY
8	021719-000	1	SCREW
9	021672-000	1	TRACK, PANTRY
10	021678-000	1	GASKET, PANTRY
11	021719-000	1	SCREW
12	021677-000	1	HOUSING, CONTROL
13	021676-000	4	SLIDE TEMPERATURE
14	PS400076	1	END CAP, LH PANTRY
NI	PS400077	1	END CAP, RH PANTRY
15	021717-000	4	SCREW
16	021771-000	1	KNOB, TEMP CONTROL
17	021786-000	2	GLIDE, DRAWER
18	021711-000	4	SCREW
19	021675-000	1	ROD, TEMP CONTROL
20	021684-000	1	DIVIDER, PANTRY DRAWER
21	022168-000	1	DRAWER, PANTRY
22	021745-000	1	DOOR, PANTRY DRAWER
23	017125-000	1	BASKET, FREEZER (LOWER)
24	017126-000	1	DIVIDER, LOWER BASKET
25	017129-000	1	BASKET, FREEZER (UPPER)
26	021837-000	1	DIVIDER, UPPER BASKET
27	022169-000	1	FRONT, CRISPER PAN
28	021761-000	2	CRISPER PAN
29	021832-000	1	TRIM, CRISPER
30	021762-000	1	FRAME, CRISPER
31	017076-000	4	GLIDE, PANTRY DRAWER
32	021744-000	1	GLASS, CRISPER
33	021857-000	1	GASKET
34	PS400073	1	BRACE, CRISPER
35	021760-000	1	SLIDE, HUMIDITY CONTROL



Ref #	Part Number	Qty.	Description
1	021793-000	1	HARNESS, ICE MAKER
2	022170-000	1	CLAMP
3	PS400199	1	ICE EJECTOR
4	017079-000	1	FUNNEL, FILL TUBE
5	011581-000	1	CUP, FILL
6	021749-000	1	ELBOW, FILL TUBE
7	021795-000	1	CLIP, SPEED
8	022171-000	1	INSERT, TUBE
9	022172-000	1	TUBING, PLASTIC
11	011580-000	3	MOLD & HEATER ASSEMBLY
12	011579-000	1	SCREW
13	PS400200	1	ICE STRIPPER
14	021702-000	1	ARM, SHUTOFF
15	017060-000	1	PAN, ICE
16	021729-000	1	SCREW
17	021914-000	1	VALVE, WATER INLET
18	PS400368	1	COVER, ICE MAKER
19	011588-000	1	SCREW
20	017066-000	1	SCREW
21	011577-000	1	BRACKET, ICE MAKER
22	022173-000	1	MOTOR
23	021830-000	3	MODULE ASSEMBLY
24	011587-000	1	SCREW
25	011584-000	1	SUPPORT, HOUSING
26	021387-000	1	THERMOSTAST
27	011585-000	1	RETAINER, THERMOSTAT
NI	021811-000	1	ICEMAKER ASSY