

This Owner's Manual is provided and hosted by [Appliance Factory Parts](#).



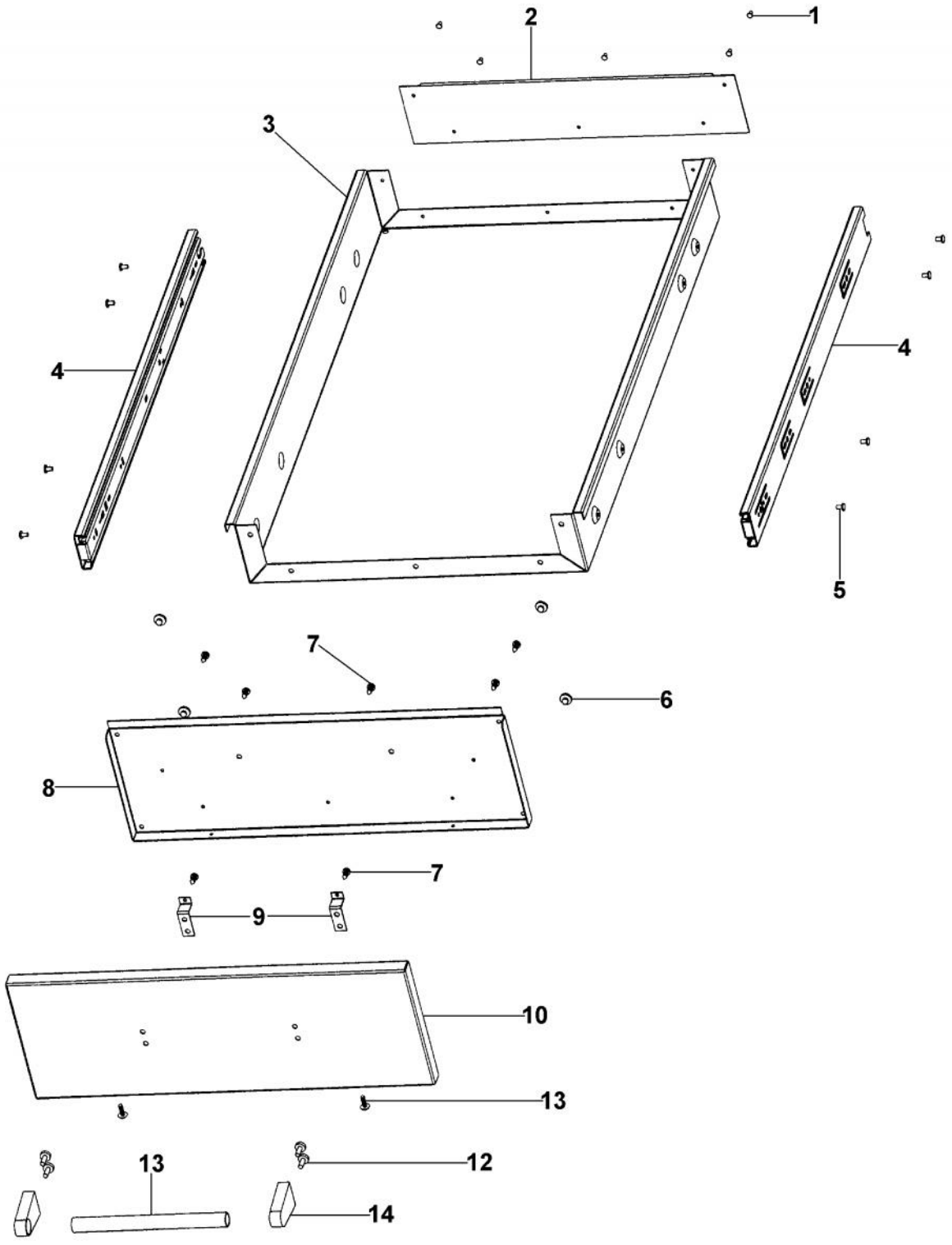
VIKING VBO1811 Owner's Manual

[Shop genuine replacement parts for VIKING VBO1811](#)

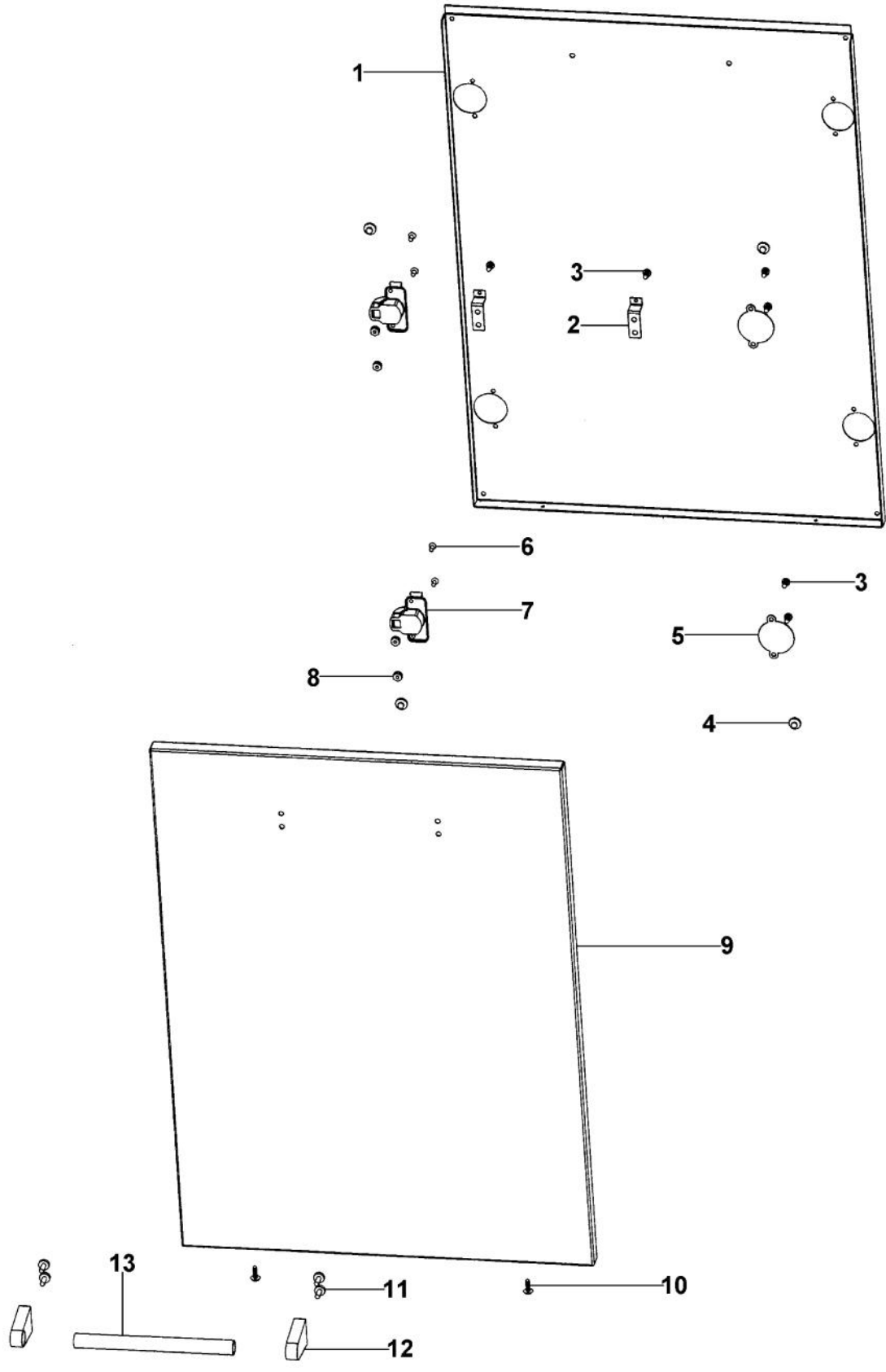


[Find Your VIKING Grill Parts - Select From 210 Models](#)

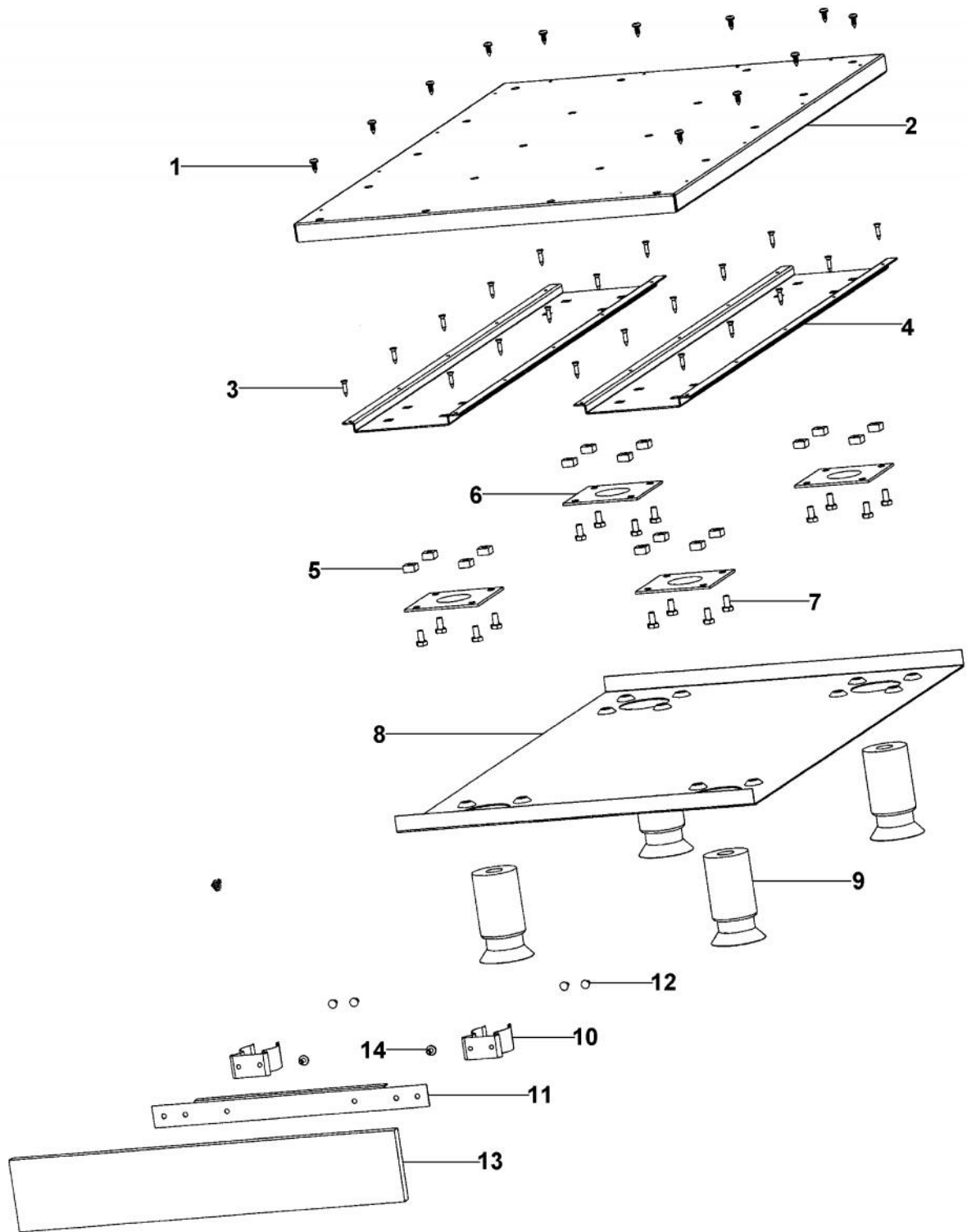
----- Manual continues below -----



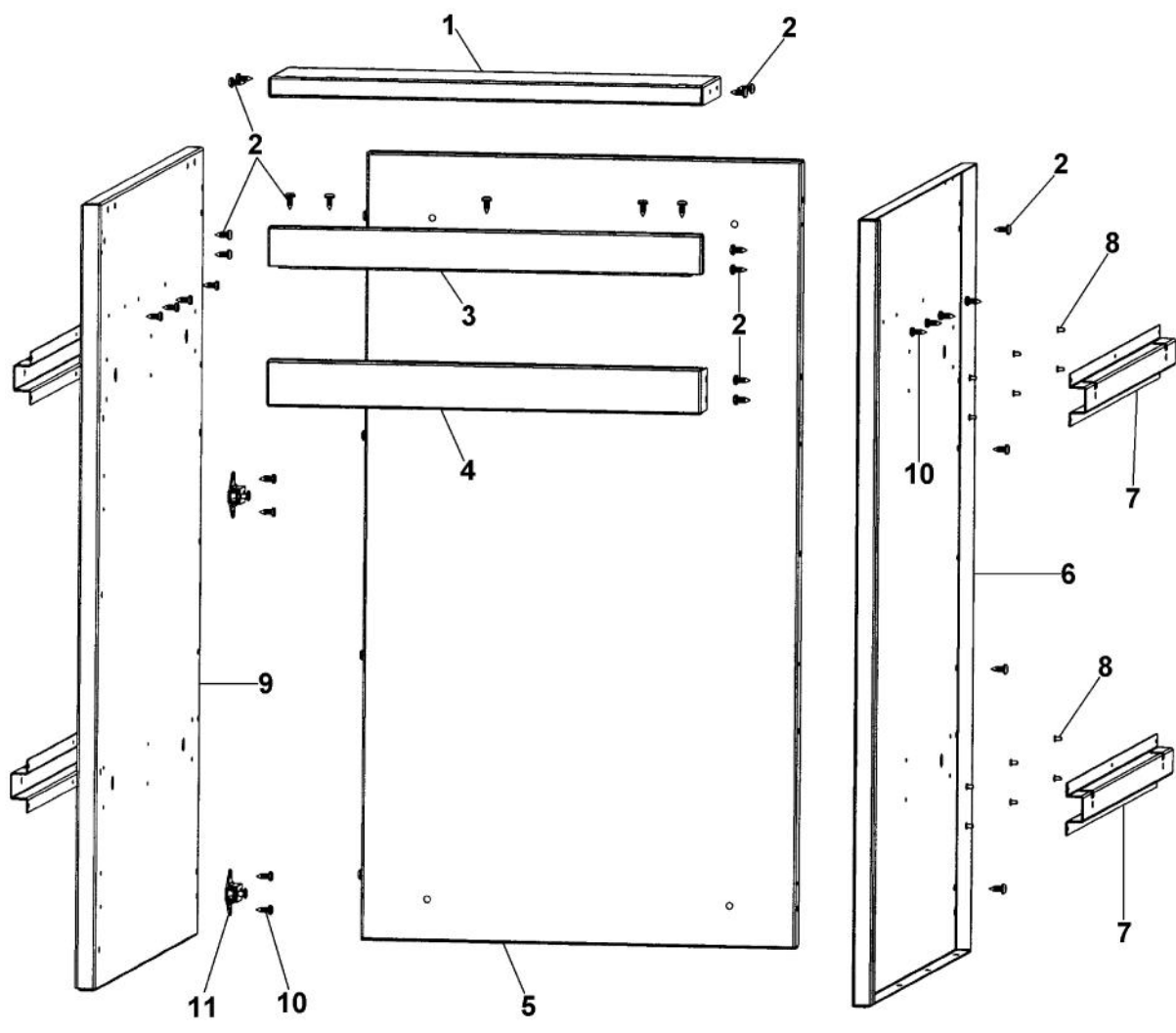
Ref #	Part Number	Qty.	Description
1	PC040014		POP RIVOT-SS42 SS
2	B20013969		TOP DRAWER REAR (VBO1830)
3	B20013968		TOP DRAWER (VBO1830)
4	PC080010		SLIDE
5	PC040019		POP RIVET (0.125 GR X 0.156 DIA)
6	PD040004		GROMMET BUMPER
7	PD020120		8 X 1/2 TEK SHEET METAL SCREW
8	B20013966		TOP INNER DRAWER DOOR (VBO1830)
9	B20013950		HANDLE BRACKET (VBO/VTPO18)
10	B30013965		TOP OUTER DRAWER DOOR (VBO1830)
11	PD020139		NO.8 X 1/2 P.H. FLAT TOP TRUSS U/C NO.2 TYPE AB 30 SS/...
12	PD020056		NO.10-24 X 1/2 PH.TR. M.S. SS
13	PE030189		CABINET HANDLE
14	PE030187		ENDCAP, TUBE
NI	G32013967SS		TOP DRAWER ASSY (VBO1830)



Ref #	Part Number	Qty.	Description
1	B20014623		INNER DOOR (VBO1811)
2	B20013950		HANDLE BRACKET (VBO/VTPO18)
3	PD020120		8 X 1/2 TEK SHEET METAL SCREW
4	PD040004		GROMMET BUMPER
5	B10014818		HINGE HOLE COVER (CABINET DOOR)
6	PD020119		8-32X3/8 PH CTR. MACH.SCREW S.S.
7	PC020172		DOOR HINGE (BBQ)
8	PD030098		8-32 HEX KEP NUT S.S.
9	B30014622		O/S DOOR PANEL (VBO/VTPO18)
10	PD020139		NO.8 X 1/2 P.H. FLAT TOP TRUSS U/C NO.2 TYPE AB 30 SS/...
11	PD020056		NO.10-24 X 1/2 PH.TR. M.S. SS
12	PE030187		ENDCAP, TUBE
13	PE030189		CABINET HANDLE
NI	G32014624SS		DOOR ASSEMBLY (VBO1811)



Ref #	Part Number	Qty.	Description
1	PD020055		NO.10 X 1/2 PAN PHIL. TEK. SS
2	B20013957		MAIN BOTTOM (VBO1830)
3	PD020061		NO.8 X 3/4 FLAT HD TEK. SS.
4	A20013935		LEG BRACE (VQBO3021)
5	PD030043		1/4-20 CAGE NUT SS
6	PC030007		LEG PLATE - 3/4 THREADED HOLE
7	PD010006		HEX HD. BOLT - 1/4-20 X 1/2
8	B20013958		BOTTOM COVER (VBO1830)
9	PC030017		4 LEG ASSY
10	PD030002		LOWER ACC PAN SPRING CLAMP (SYWE1)
11	A20014679		18 KICK PLATE MOUNT BRKT
12	PC040003		POP RIVET - SB64 3/16DIA.X 3/8
13	PK030482		18 KICK PLATE 18.125 X 3.250
14	PD020002		10 X 1/2 PH.TR.HD.SMS.



Ref #	Part Number	Qty.	Description
1	B20013963		TOP PANEL (VBO1830)
2	PD020055		NO.10 X 1/2 PAN PHIL. TEK. SS
3	B20014605		TOP SUPPORT (VBO1830)
4	B20013964		DRAWER DIVIDER (VBO1830)
5	B20013962		REAR PANEL (VBO1830)
6	B20014620		RH I/S SIDE (VBO1811)
7	A20013956		MOUNT BRACKET (CABINETS)
8	PC040014		POP RIVOT-SS42 SS
9	B20014621		LH I/S SIDE (VBO1811)
10	PD020120		8 X 1/2 TEK SHEET METAL SCREW
11	PC020173		DOOR HINGE RECEIVER (BBQ)