

This Owner's Manual is provided and hosted by [Appliance Factory Parts](#).



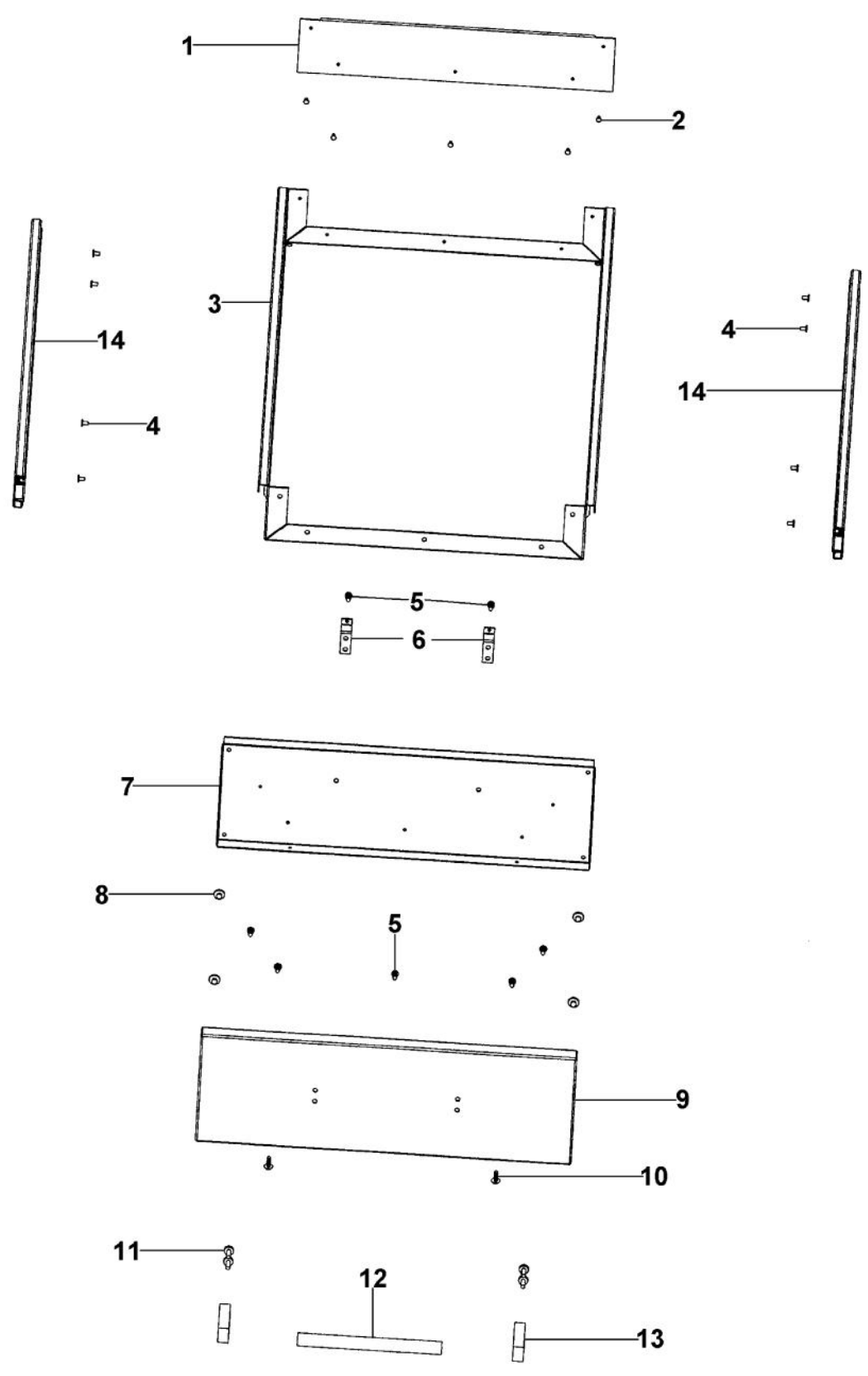
VIKING VBO1830 Owner's Manual

[Shop genuine replacement parts for VIKING VBO1830](#)

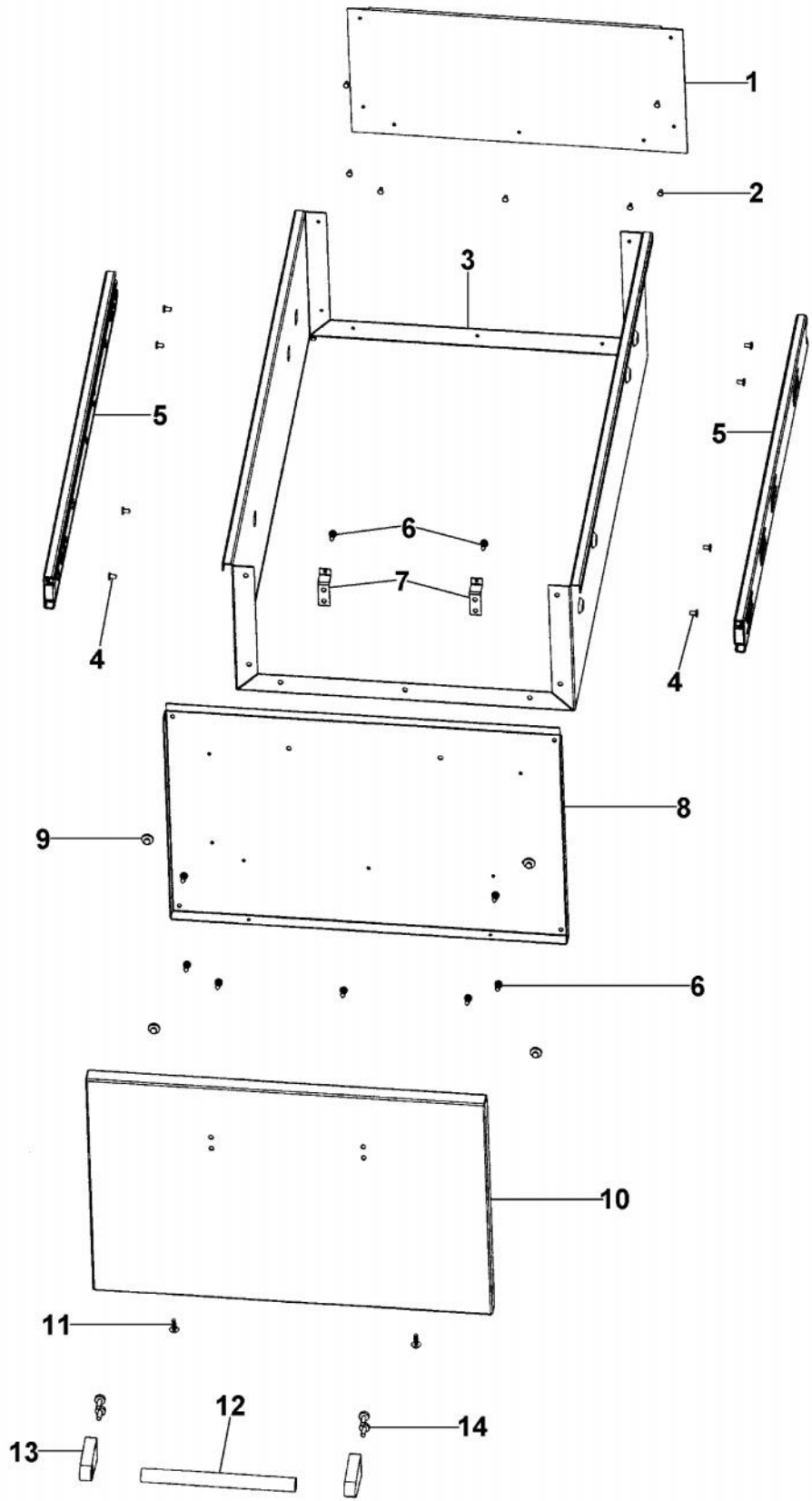


[Find Your VIKING Grill Parts - Select From 210 Models](#)

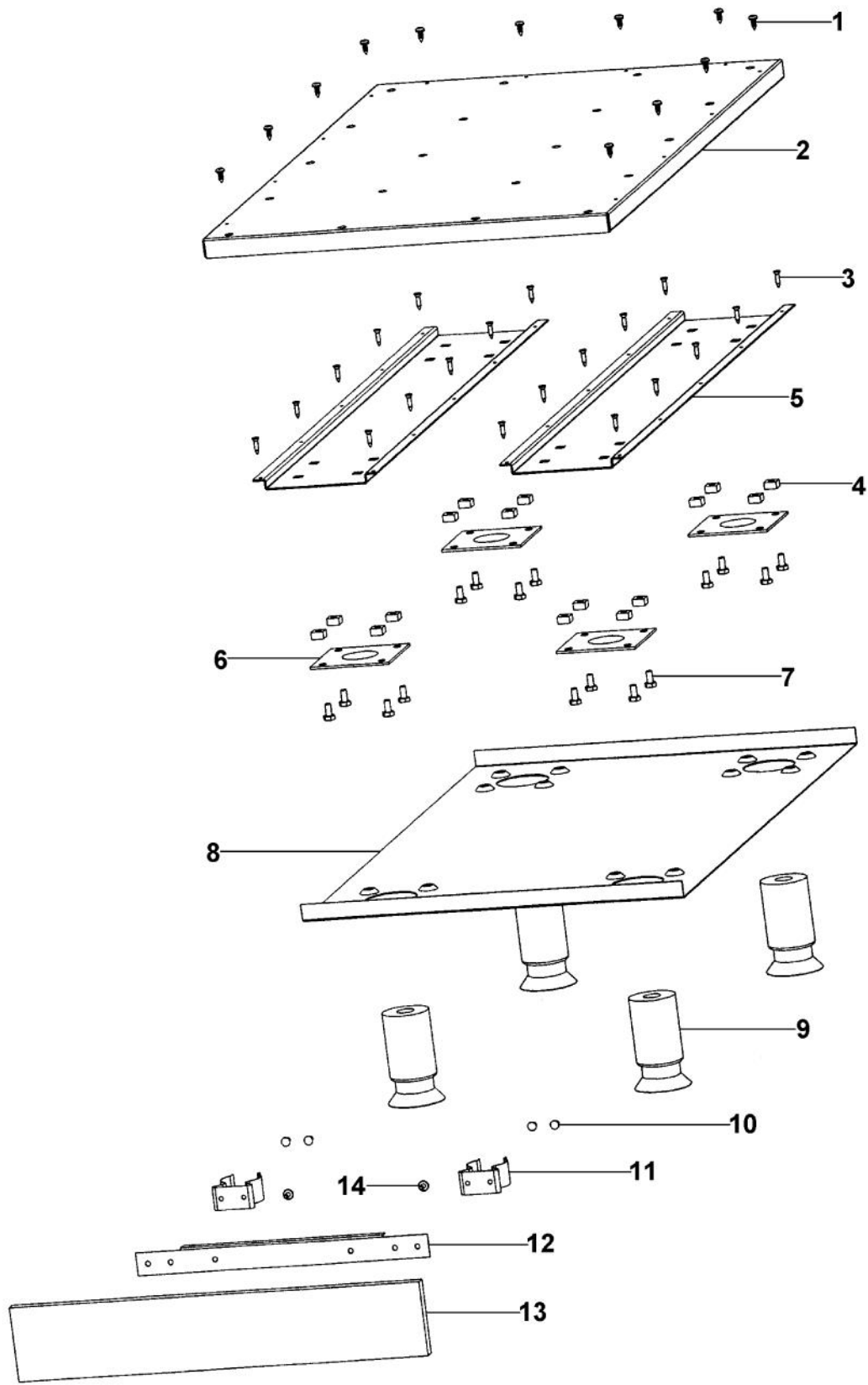
----- Manual continues below -----



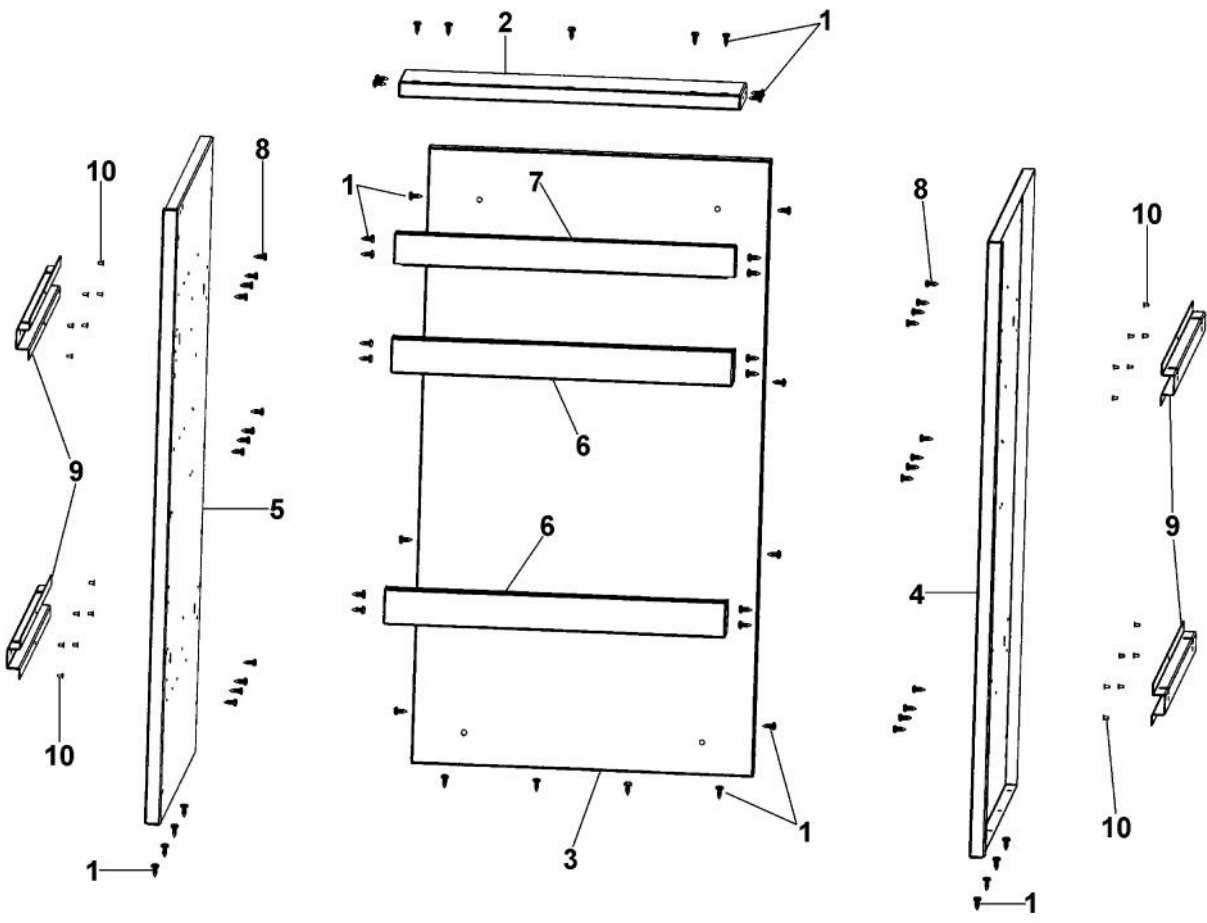
Ref #	Part Number	Qty.	Description
1	B20013969		TOP DRAWER REAR (VBO1830)
2	PC040014		POP RIVOT-SS42 SS
3	B20013968		TOP DRAWER (VBO1830)
4	PC040019		POP RIVET (0.125 GR X 0.156 DIA)
5	PD020120		8 X 1/2 TEK SHEET METAL SCREW
6	B20013950		HANDLE BRACKET (VBO/VTPO18)
7	B20013966		TOP INNER DRAWER DOOR (VBO1830)
8	PD040004		GROMMET BUMPER
9	B30013965		TOP OUTER DRAWER DOOR (VBO1830)
10	PD020139		NO.8 X 1/2 P.H. FLAT TOP TRUSS U/C NO.2 TYPE AB 30 SS/...
11	PD020056		NO.10-24 X 1/2 PH.TR. M.S. SS
12	PE030189		CABINET HANDLE
13	PE030187		ENDCAP, TUBE
14	PC080010		SLIDE
NI	G32013967SS		TOP DRAWER ASSY (VBO1830)



Ref #	Part Number	Qty.	Description
1	B20013974		BOTTOM DRAWER REAR (VBO1830)
2	PC040014		POP RIVOT-SS42 SS
3	B20013973		BOTTOM DRAWER (VBO1830)
4	PC040019		POP RIVET (0.125 GR X 0.156 DIA)
5	PC080010		SLIDE
6	PD020120		8 X 1/2 TEK SHEET METAL SCREW
7	B20013950		HANDLE BRACKET (VBO/VTPO18)
8	B20013971		BOTTOM INNER DRAWER DOOR (VBO1830)
9	PD040004		GROMMET BUMPER
10	B30013970		BOTTOM OUTER DRAWER DOOR (VBO1830)
11	PD020139		NO.8 X 1/2 P.H. FLAT TOP TRUSS U/C NO.2 TYPE AB 30 SS/...
12	PE030189		CABINET HANDLE
13	PE030187		ENDCAP, TUBE
14	PD020056		NO.10-24 X 1/2 PH.TR. M.S. SS
NI	G32013972SS		BOTTOM DRAWER ASSY (VBO1830)



Ref #	Part Number	Qty.	Description
1	PD020055		NO.10 X 1/2 PAN PHIL. TEK. SS
2	B20013957		MAIN BOTTOM (VBO1830)
3	PD020061		NO.8 X 3/4 FLAT HD TEK. SS.
4	PD030043		1/4-20 CAGE NUT SS
5	A20013935		LEG BRACE (VQBO3021)
6	PC030007		LEG PLATE - 3/4 THREADED HOLE
7	PD010006		HEX HD. BOLT - 1/4-20 X 1/2
8	B20013958		BOTTOM COVER (VBO1830)
9	PC030017		4 LEG ASSY
10	PC040003		POP RIVET - SB64 3/16DIA.X 3/8
11	PD030002		LOWER ACC PAN SPRING CLAMP (SYWE1)
12	A20014679		18 KICK PLATE MOUNT BRKT
13	PK030482		18 KICK PLATE 18.125 X 3.250
14	PD020002		10 X 1/2 PH.TR.HD.SMS.



Ref #	Part Number	Qty.	Description
1	PD020055		NO.10 X 1/2 PAN PHIL. TEK. SS
2	B20013963		TOP PANEL (VBO1830)
3	B20013962		REAR PANEL (VBO1830)
4	B20013960		I/S SIDE RH (VBO1830)
5	B20013961		I/S SIDE LH (VBO1830)
6	B20013964		DRAWER DIVIDER (VBO1830)
7	B20014605		TOP SUPPORT (VBO1830)
8	PD020120		8 X 1/2 TEK SHEET METAL SCREW
9	A20013956		MOUNT BRACKET (CABINETS)
10	PC040014		POP RIVOT-SS42 SS