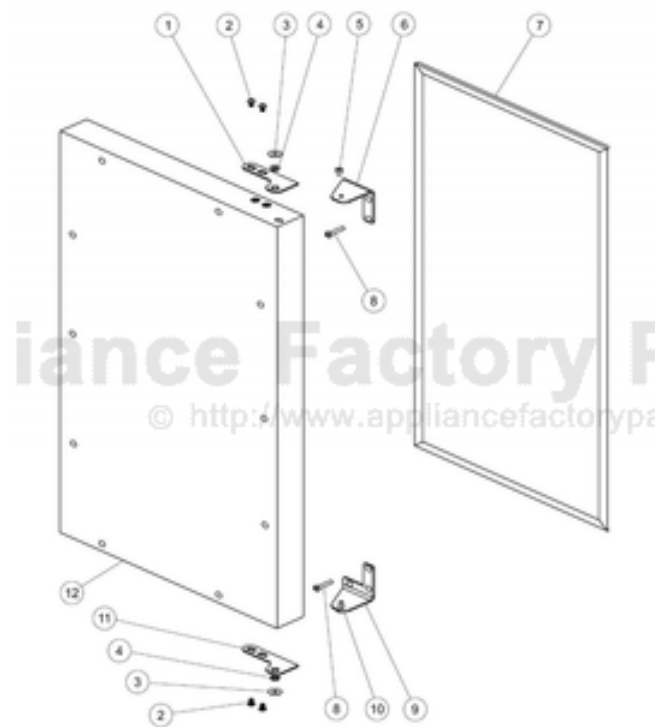


This Owner's Manual is provided and hosted by [Appliance Factory Parts](http://www.appliancefactoryparts.com).



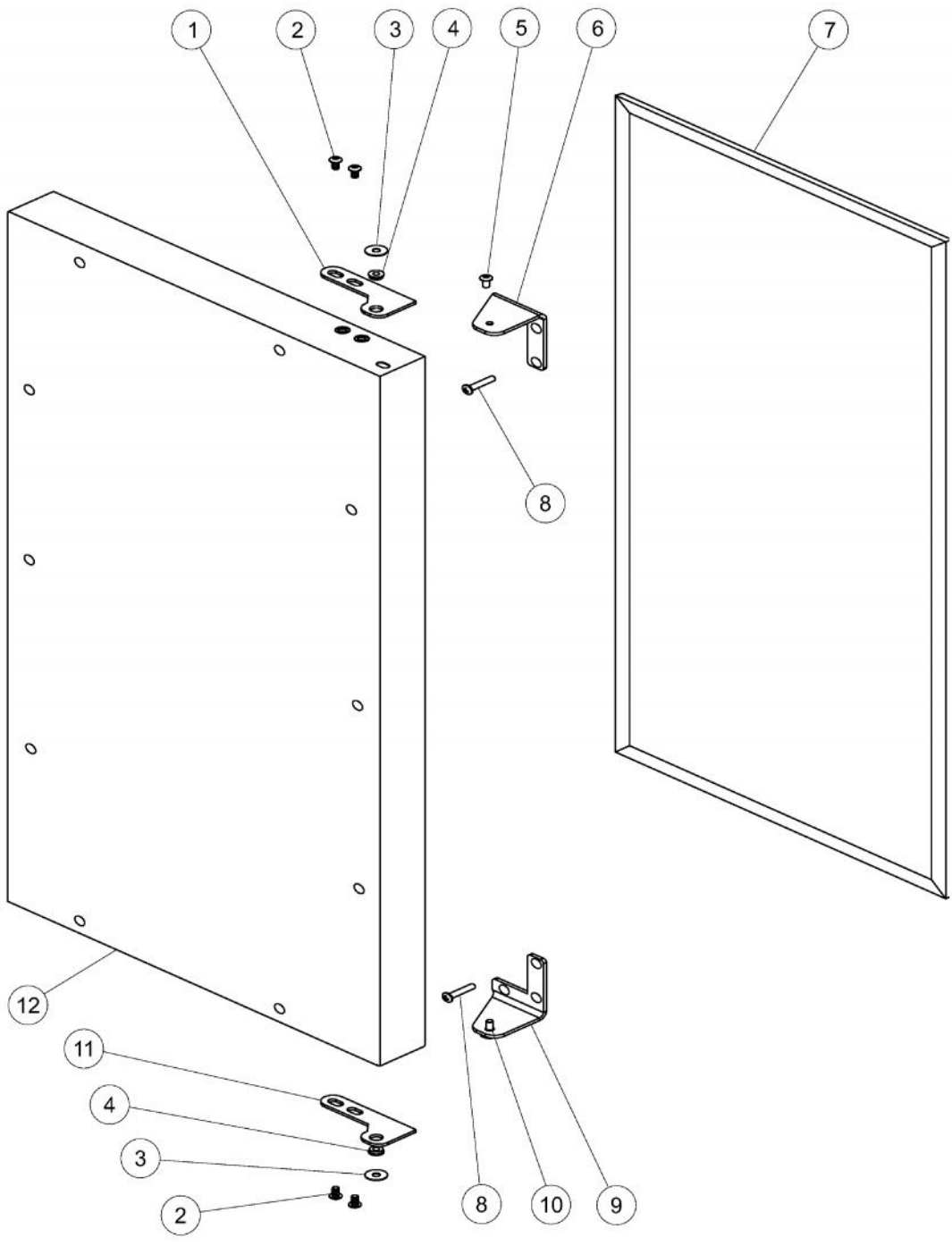
VIKING DFIM153D_REV_A_ Owner's Manual

[Shop genuine replacement parts for VIKING
DFIM153D_REV_A](#)

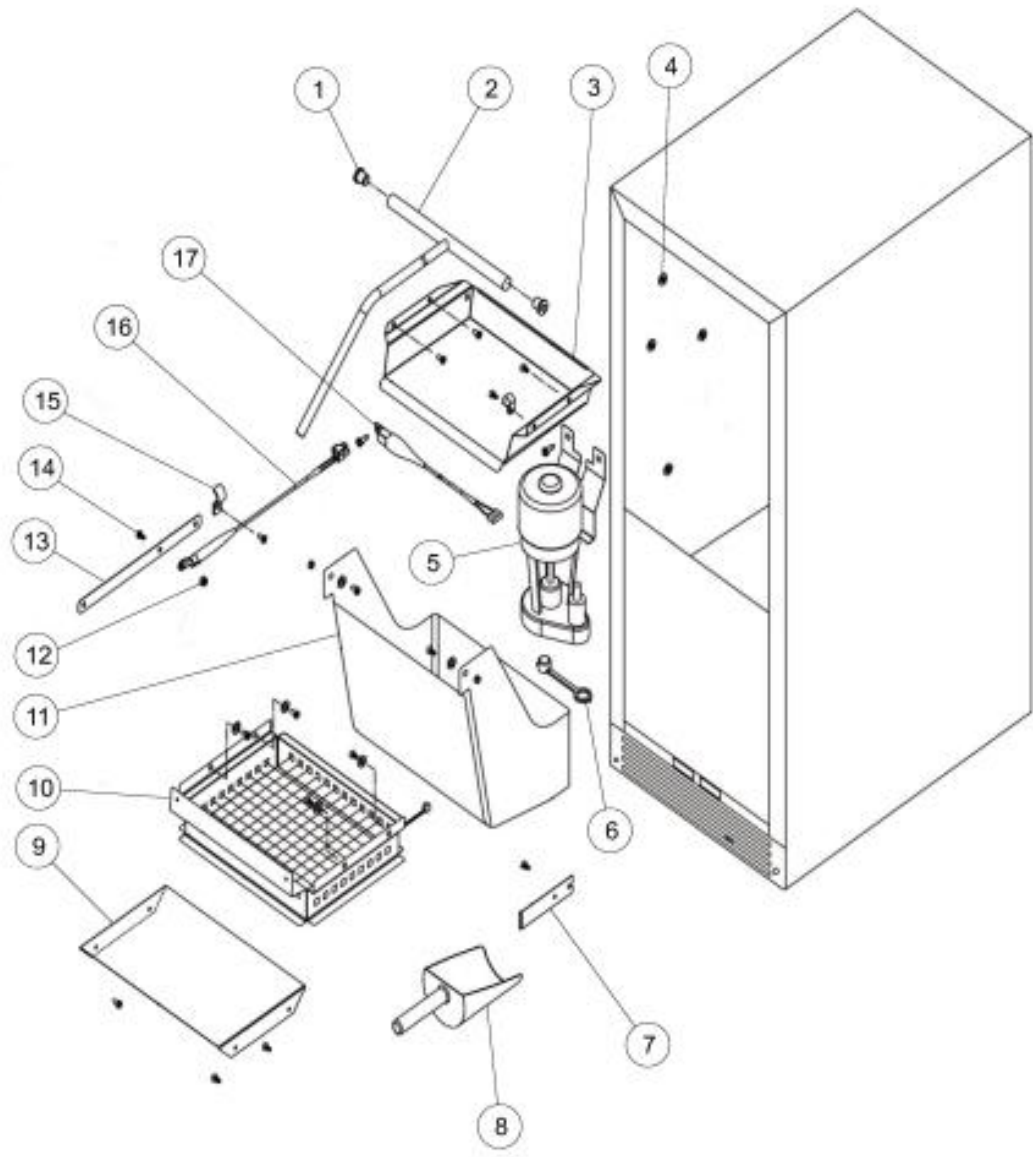


[Find Your VIKING Other Parts - Select From 40 Models](#)

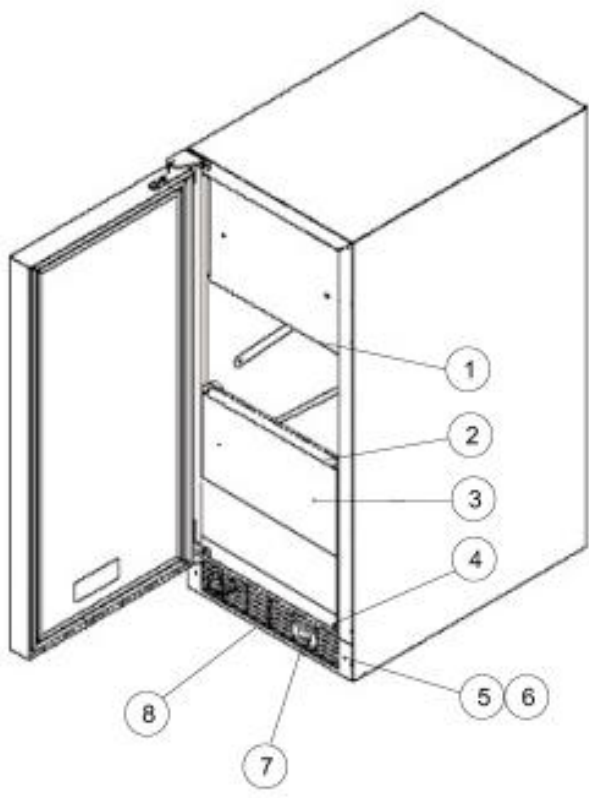
----- Manual continues below -----



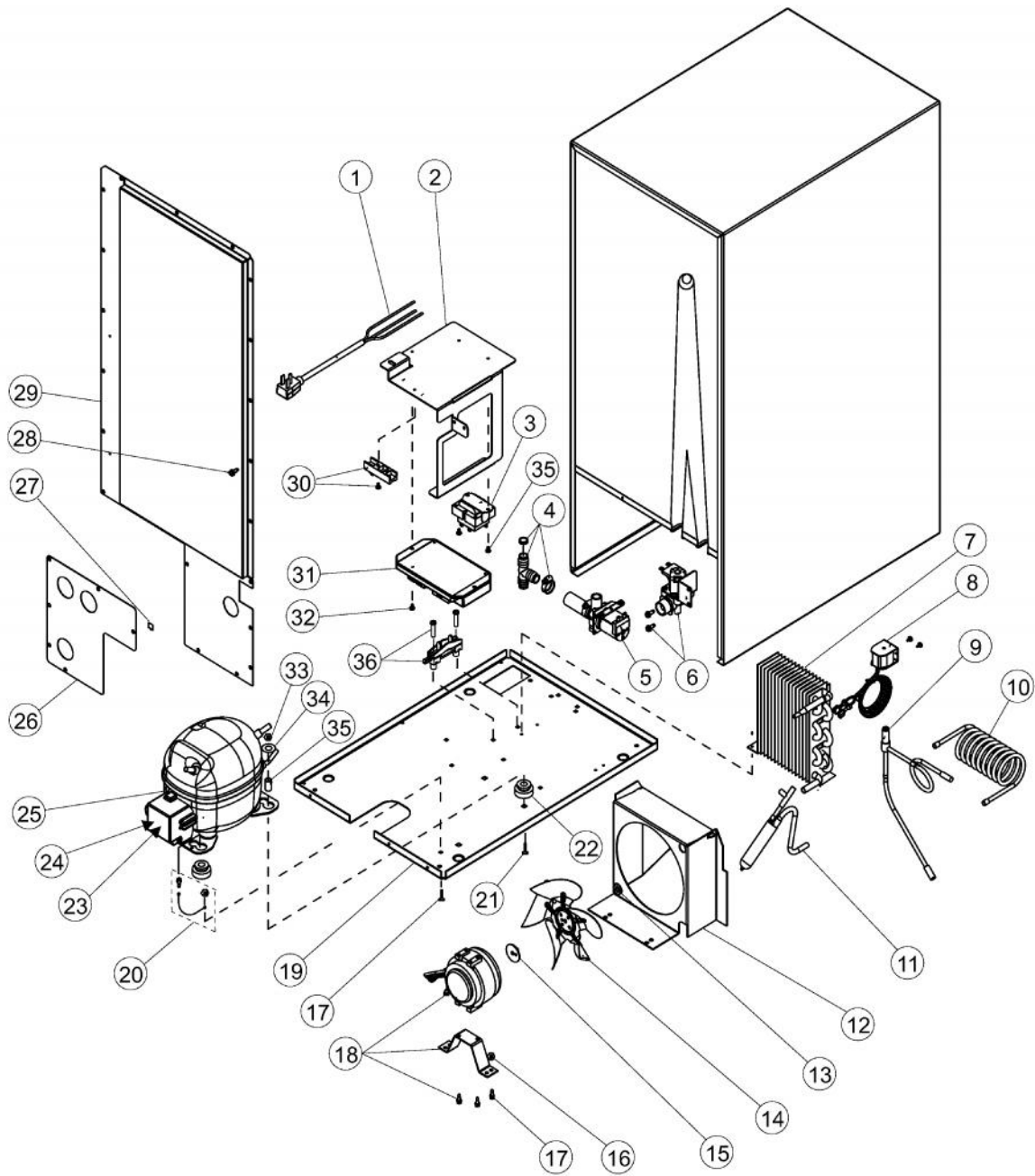
Ref #	Part Number	Qty.	Description
1	017594-000	1	HINGE ADAPTER, BLACK, TOP
2	017596-000	4	SCREW, 1/4-20 BLACK OXIDE
3	009761-000	2	WASHER, NYLON
4	009755-000	2	HINGE BUSHING
5	017588-000	1	HINGE, PIN, TOP
6	010695-000	1	STANDARD HINGE, RIGHT TOP, CHROME
7	017597-000	1	MAGNETIC GASKET, WHITE
8	017587-000	6	10-32 X 3/4 PH CSK ZN
9	017585-000	1	HINGE, CHROME, LH
10	017589-000	1	HINGE, PIN BOTTOM
11	017595-000	1	HINGE ADAPTER, BLACK, BOTTOM
12	017598-000	1	DOOR ASSEMBLY



Ref #	Part Number	Qty.	Description
1	022786-000	2	DISTRIBUTOR TUBE END
2	022785-000	1	DRAIN TUBE, WHITE W/HOSE CLAMP
3	022787-000	1	EVAPORATOR ASSEMBLY, WHITE W/SCREWS & CLAMP
4	022792-000	20	10-32 WELLNUT
5	028412-000	1	CIRCULATION PUMP W/ SCREWS
6	022789-000	1	DRAIN PLUG
7	022784-000	1	RETAINER CLIP W/ SCREWS
8	022795-000	1	ICE SCOOP
9	022791-000	1	DEFLECTOR ASSY
10	022790-000	1	GRID-CUTTER ASSEMBLY
11	022788-000	1	RESERVOIR ASSY
12	017621-000	1	NUT, NO.10-24, LOCK
13	017622-000	1	BIN SENSOR BAR
14	017623-000	1	SCREW, NO.10-24, PHILIPS HEADS, SS
15	017618-000	1	P-CLAMP, WHITE
16	017620-000	1	SLEEVE W/THERMISTOR
17	022828-000	1	EVAPORATOR THERMISTOR W/SCREW



Ref #	Part Number	Qty.	Description
1	022793-000	1	ESCUTCHEON ASSY
2	017601-000	1	TRIM PANEL
3	009643-000	2	SCREW
4	017602-000	1	PLUG, HOLE, BLACK
5	017606-000	2	SCREW, NO.12 X 3/4 FLT HD AB, BLACK
6	017608-000	1	NO.10 EXT. TOOTH LOWA
7	017604-000	1	SWITCH, BLACK
8	028413-000	1	GRILLE, BLACK
NI	022366-000	4	LEG LEVELER



Ref #	Part Number	Qty.	Description
1	028414-000	1	POWER CORD
2	017660-000	1	BRACKET, SATURN CONTROL
3	028415-000	1	TRANSFORMER, 120V TO 12V
4	028416-000	1	TEE FIT'G/FLOW RESTRICTOR ASSY W/ CLAMPS
5	028417-000	1	DRAIN VALVE
6	028418-000	1	WATER VALVE ASSEMBLY W/ SCREWS
7	PW300159	1	CONDENSER ASSY
8	017635-000	1	SOLENOID COIL
9	017636-000	1	HOT GAS VALVE
10	028419-000	1	PRECOOLER
11	017637-000	1	DRIER ASSEMBLY
12	028420-000	1	FAN SHROUD
13	PW200020	1	NUT, TINNED
14	028421-000	1	FAN BLADE
15	009831-000	1	SILENCER (INCLUDED W/FAN)
16	010034-000	5	KEP NUT (42247454)
17	017671-000	8	BOLT, NO.10-24 X 1/2 CARRIAGE
18	017640-000	1	FAN MOTOR ASSEMBLY
19	028422-000	1	BASEPLATE
20	022498-000	1	GROUND WIRE KIT
21	017641-000	2	BOLT, 1/4 - 20X1 - 1/4 CARRIAGE
22	017643-000	4	GROMMET
23	017650-000	1	PTC STARTER
24	028423-000	1	COMPRESSOR OVERLOAD
25	017649-000	1	COMPRESSOR ASSEMBLY
26	028424-000	1	ACCESS PANEL ASSEMBLY
27	022796-000	1	U-CLIP
28	028425-000	24	NO.10 X .5 AB HEX WASHER HEAD HURRICANE SCREW, ZN
29	028426-000	1	RAISED BACK PANEL
30	022783-000	1	TERMINAL BLOCK W/SCREWS
31	022829-000	1	ELECTRONIC CONTROL, SATURN
32	028428-000	2	NO.10 X .5 AB HEX WASHER HEAD HURRICANE SCREW, ZN
33	017648-000	2	1/4 - 20 UNC 2B LOCKNUT, ZN
34	PW200018	2	.312 ID FLAT WASHER
35	017642-000	2	SLEEVE
36	028427-000	1	POWER CORD CLAMP (W/SCREWS)
NI	022830-000	1	WIRE HARNESS