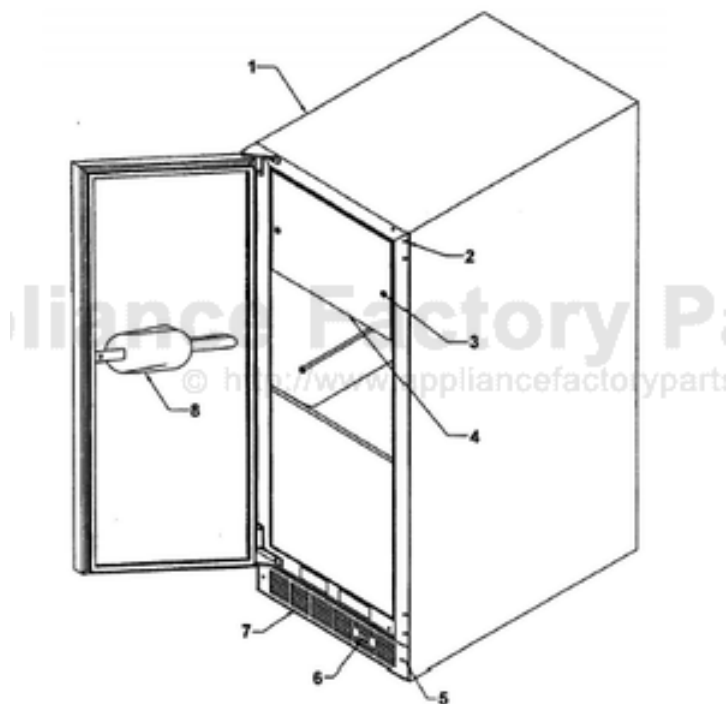


This Owner's Manual is provided and hosted by [Appliance Factory Parts](#).



VIKING DUIM150 Owner's Manual

[Shop genuine replacement parts for VIKING DUIM150](#)

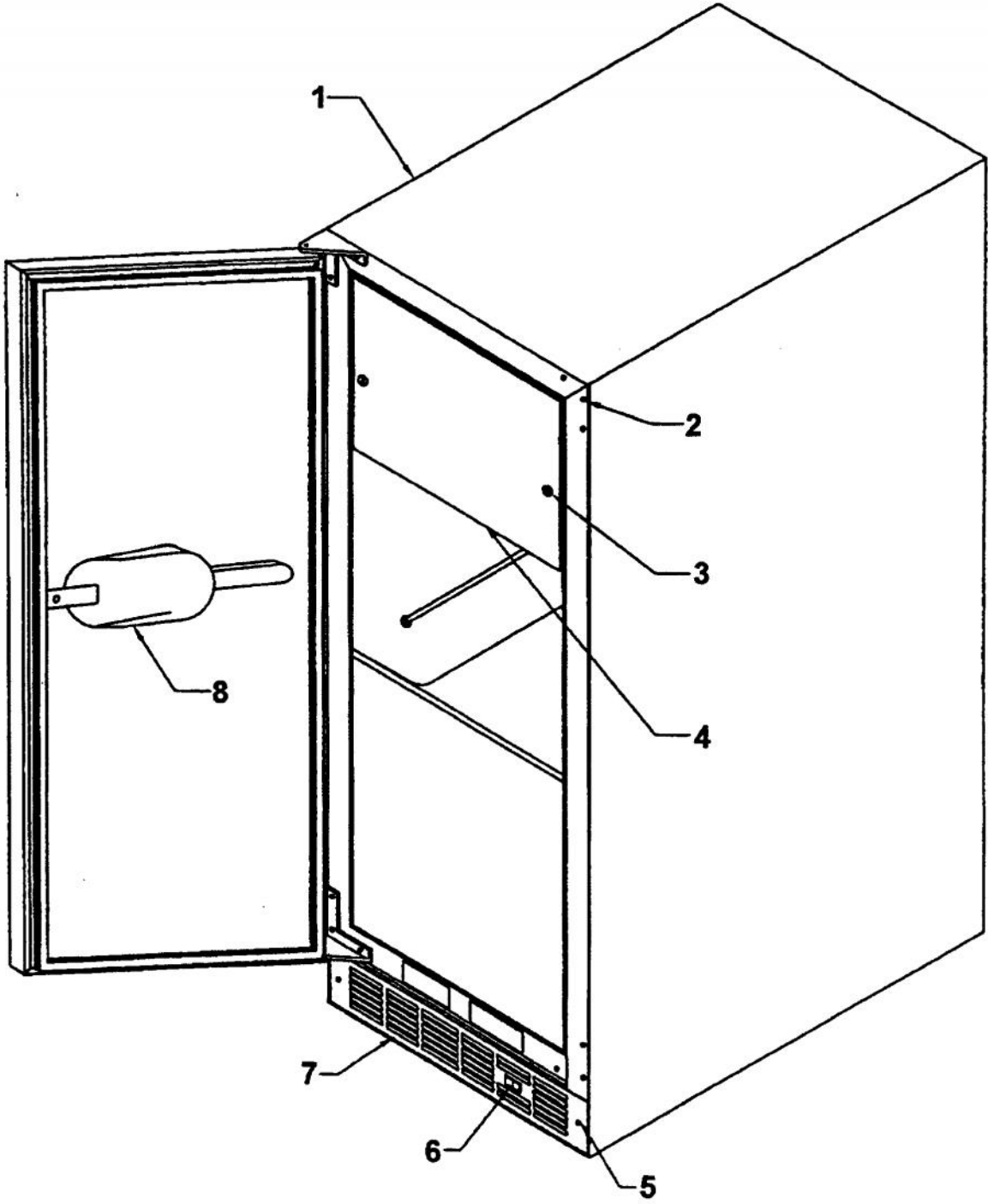


[Find Your VIKING Other Parts - Select From 40 Models](#)

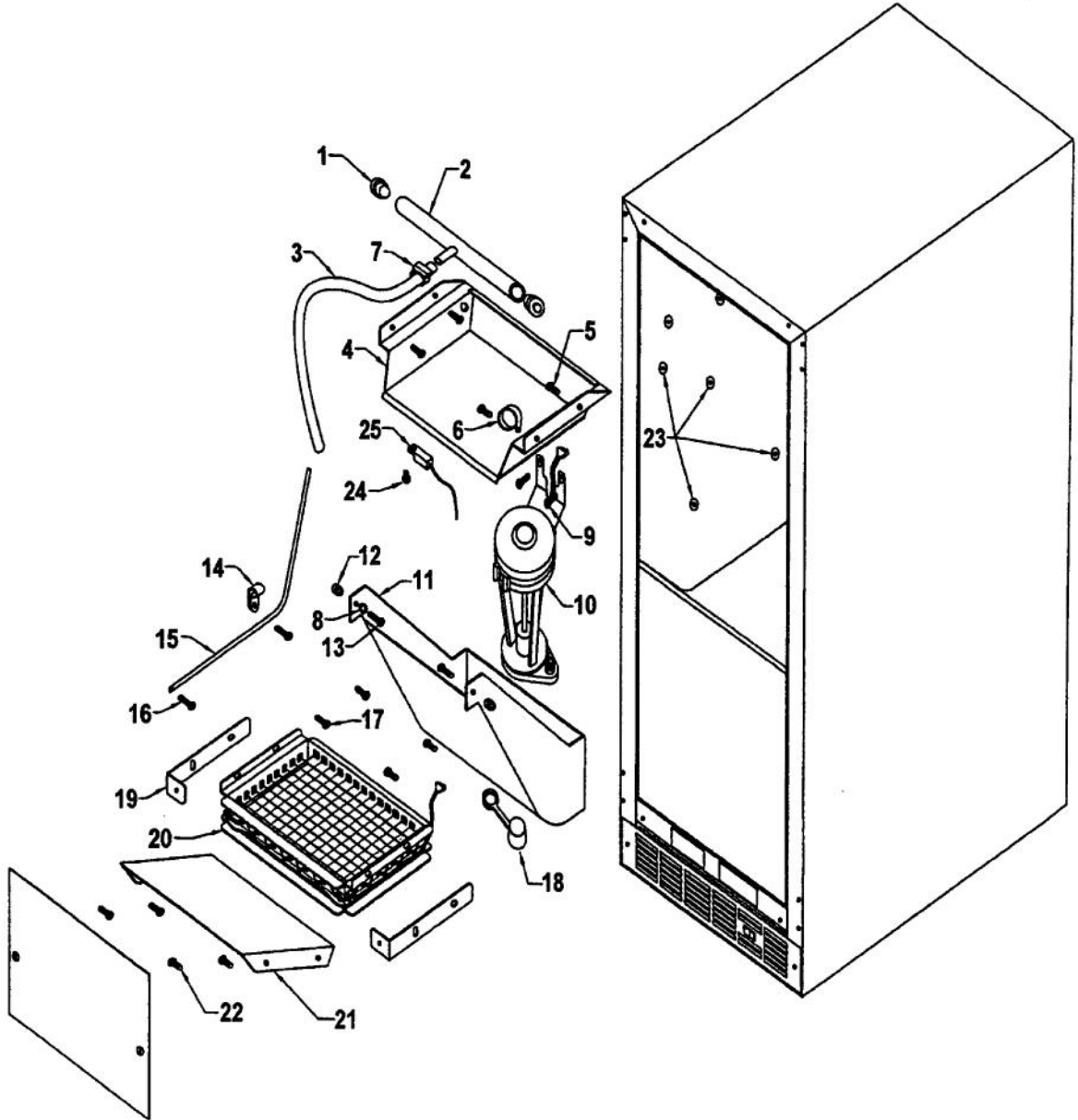
----- Manual continues below -----

Functional Parts

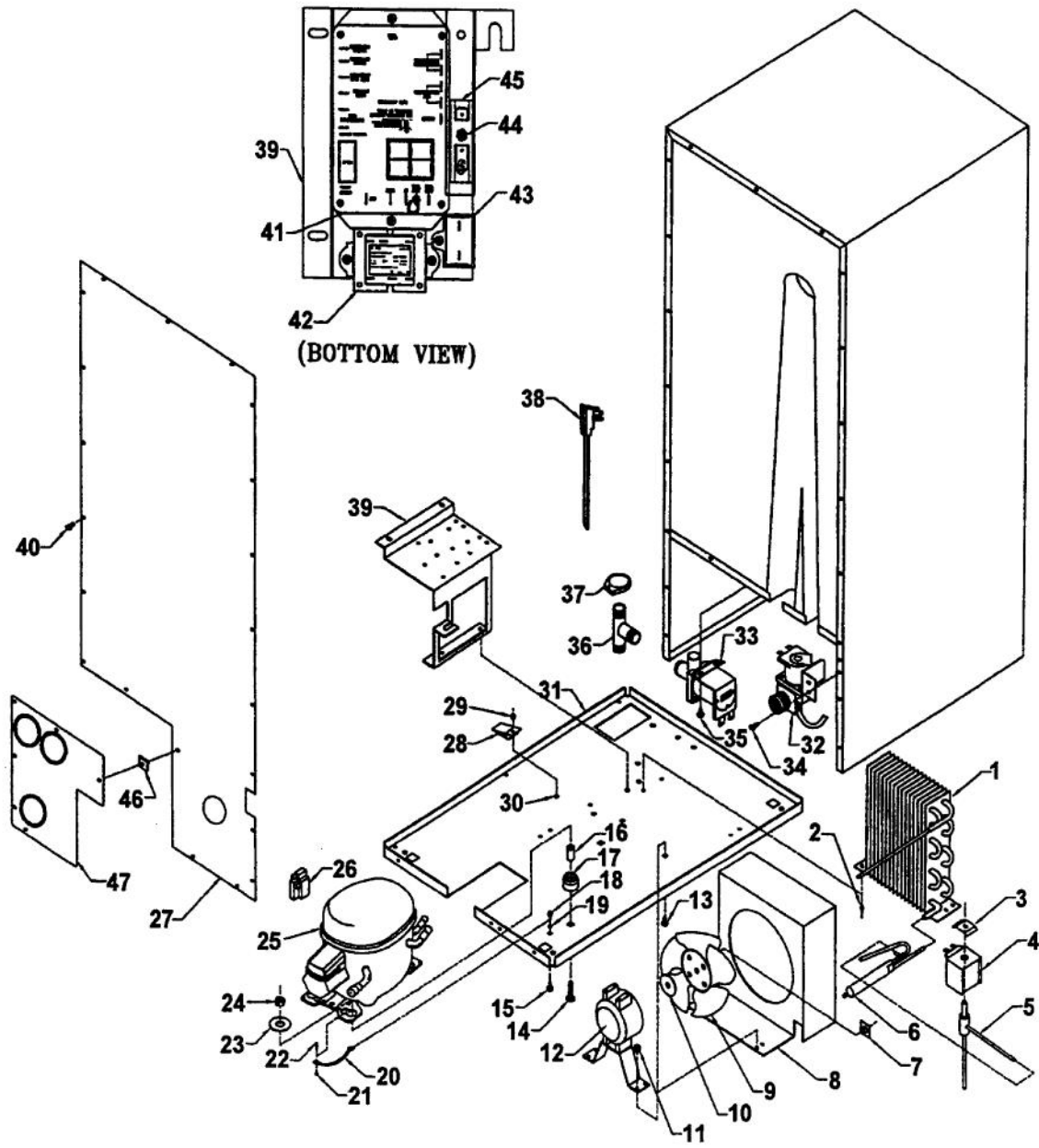
Ref #	Part Number	Qty.	Description
1	PW300188		CIRCULATION PUMP VUIM 42242980
2	PW300193		COMPRESSOR ASSY (VUIM) 42245141
3	PW300150		COMPRESSOR RUN CAPACITOR
4	PW300159		CONDENSER ASSY
5	PW300185		DRAIN VALVE (VUIM150) 42242966
6	PW300162		DRIER ASSEMBLY (VUIM150) 42242961
7	PW300194		ELECTRONIC BOARD 42243384
8	PW300155		EVAPORATOR ASSY (VUIM150) 42242978
9	PW300152		FAN MOTOR ASSY (VUIM150) 42244701
10	PW300149		HOT GAS VALVE
11	PW300158		ON/OFF CLEAN SWITCH (VUIM) 42242992
12	PW300153		POWER CORD (VUIM150) 42242963
13	PW240007		PTC STARTER (VUWC140) 42242427
14	PW300139		SOLENOID COIL (VUIM150) 42241490 NLA
15	PW300186		TERMINAL BLOCK
16	PW300195		THERMISTOR 42243392
17	PW300154		TRANSFORMER (VUIM150) 42242973
18	PW300184		WATER VALVE ASSY (VUIM150) 42242965



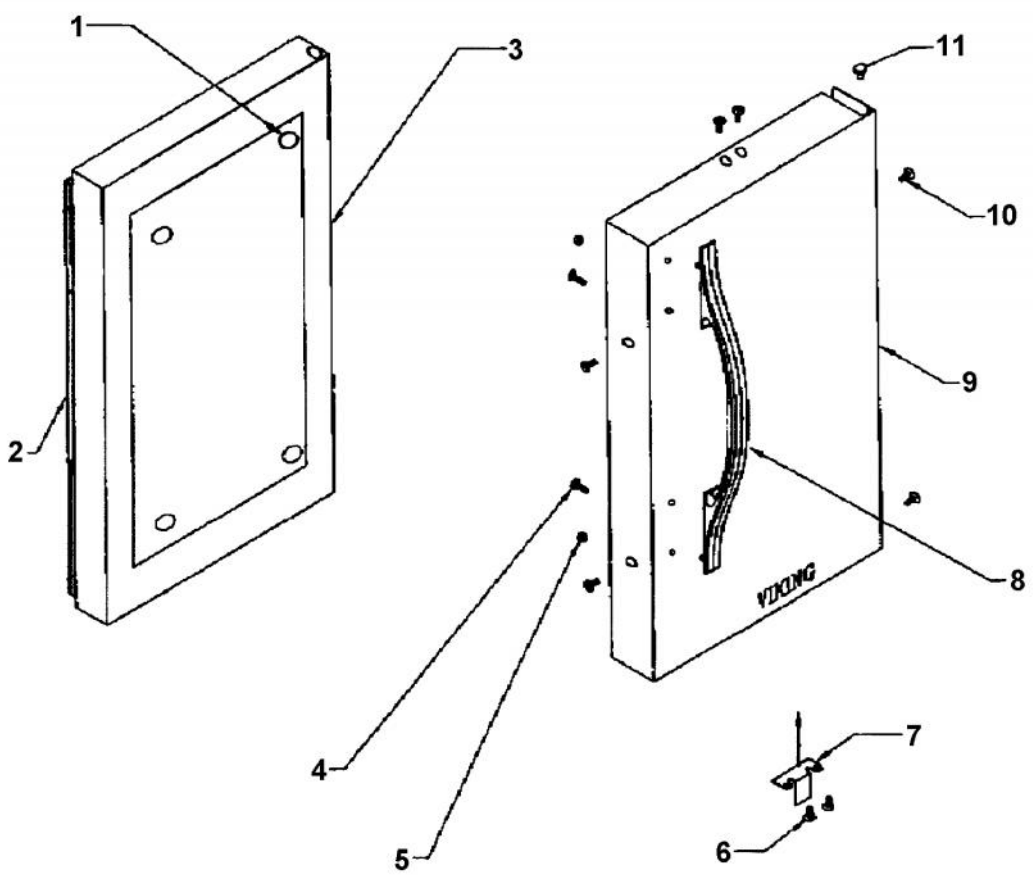
Ref #	Part Number	Qty.	Description
1	Not Replacable		CABINET ASSEMBLY
2	PW300138		HOLE PLUG
3	PART OF ITEM No. 4		THUMB SCREW
4	PW300157	1	ESCUTHEON PNL/SCREW 42242989
5	G3096974x		GRILLE ASSEMBLY
6	PW300158		ON/OFF CLEAN SWITCH (VUIM) 42242992
7	PW300144		SCREW, GRILLE - WH (VUIM) 42243104
	PW300165		SCREW, GRILLE - BK (VUIM) 42242847
8	PW300156		ICE SCOOP (VUIM150) 42242993



Ref #	Part Number	Qty.	Description
1	PW300187		DISTRIBUTOR TUBE END (VUIM)42242977
2	PW300142		DISTRIBUTOR TUBE (VUIM150) 42242976
3	part of No. 2		TUBING
4	PW300155		EVAPORATOR ASSY (VUIM150) 42242978
5	PW300163		SCREW (VUIM150) 42243357
6	PW300147		CLAMP (41006002)
7	PW300182		HOSE CLAMP
8	PW300164		WASHER
9	PW300163		SCREW (VUIM150) 42243357
10	PW300188		CIRCULATION PUMP VUIM 42242980
NI	025147-000	1	DRAIN PUMP
11	PW300189		RESERVOIR (VUIM150) 42242981
12	PW300172		SPACER
13	PW300178		SCREW
14	PW200011		P CLAMP & SCREWS (PKG 20) 42242071
15	PW300183		THERMISTOR W/SLEEVE 42242986 (BEFORE 08-08-07)
	006331-000		BIN THERMISTOR W/SLEEVE (AFTER 08-08-07)
16	PW300163		SCREW (VUIM150) 42243357
17	PW300163		SCREW (VUIM150) 42243357
18	PW300190		DRAIN PLUG (VUIM150) 42242982
19	PW300181		ANGLE BRACKET
20	PW300191		GRID CUTTER ASSY (VUIM) 42242984
21	PW300180		DFLCTOR W/SCREWS (VUIM150) 42242985
22	PW300163		SCREW (VUIM150) 42243357
23	PW300175		WELLNUT (VUIM150) 42242987
24	PW300171		SCREW
25	PW300195		THERMISTOR 42243392 (BEFORE 08-08-07) THERMISTOR (AFTER 08-08-07)



Ref #	Part Number	Qty.	Description
1	PW300159		CONDENSER ASSY
2	PW300141		POP RIVET, SS (VUIM150) 42243617
3	PW300140		CELL RETAINER
4	PW300139		SOLENOID COIL (VUIM150) 42241490 NLA
5	PW300149		HOT GAS VALVE
6	PW300162		DRIER ASSEMBLY (VUIM150) 42242961
7	PW200020		SPEED NUT
8	PW300145		FAN SHROUD (VUIM150) 42242902
9	PW300151		FAN BLADE
10	PW200036		SILENCER SPACER
11	PW300169		LOCK NUT
12	PW300152		FAN MOTOR ASSY (VUIM150) 42244701
13	PW300168		CARRIAGE BOLT (VUIM150) 42243618
14	PW300166		CARRIAGE BOLT
15	PW300168		CARRIAGE BOLT (VUIM150) 42243618
16	PW200030		SLEEVE, COMPRESSOR
17	PW200022		COMPRESSOR ASSY VUWC140
18	PW300169		LOCK NUT
19	PW300143		LOCK WASHER (VUIM150) 42243619
20	PW300137		GROUND WIRE (VUIM150)
21	PW200027		NO. 8 STAR WASHER
22	PW300167		SCREW (VUIM150) 42243240
23	PW200018		.312 ID FLAT WASHER
24	PW200017		LOCK NUT .25-.20 UNC
25	PW300193		COMPRESSOR ASSY (VUIM) 42245141
26	PW240007		PTC STARTER (VUWC140) 42242427
27	PW300174		BACK PANEL (VUIM150) 42242962
28	PW300170		POWER CORD CLAMP
29	PW300169		LOCK NUT
30	PW300168		CARRIAGE BOLT (VUIM150) 42243618
31	PW300173		BASE PLATE (42242964)
32	PW300184		WATER VALVE ASSY (VUIM150) 42242965
33	PW300185		DRAIN VALVE (VUIM150) 42242966
34	PW200004		SCREW LENS COVER 42243354
35	PW200004		SCREW LENS COVER 42243354
36	PW300176		TEE FITTING 42242967
37	PW300177		HOSE CLAMP
38	PW300153		POWER CORD (VUIM150) 42242963
39	PW300146		BRACKET (VUIM150) 42242968
40	PW200004		SCREW LENS COVER 42243354
41	PW300194		ELECTRONIC BOARD 42243384 (BEFORE 08-08-07)
	004566-000		SATURN CONTROL - 115V / 60HZ, 220V / 50HZ SUBS TO 017... (AFTER 08-08-07)
42	PW300154		TRANSFORMER (VUIM150) 42242973
43	PW300150		COMPRESSOR RUN CAPACITOR
44	PW200029		SCREW
45	PW300186		TERMINAL BLOCK
46	PW300179		U-CLIP W/SCREWS (VUIM150) 42243015
47	PW300192		ACCESS PANEL ASSY (VUIM) 42243016



Ref #	Part Number	Qty.	Description
1	PW230039		BUMPER - 41005890
2	PW230040		GASKET
3	PW230038		ICE MAKER DOOR SUBASSEMBLY (42243726)
4	PW200049		SCREW (PACK OF 2)
5	PW200050		HEX-KEP NUT (42247454)
6	PW200051		SCREW
7	PW220013		STRIKER PLATE (41006713)
8	PE030090		HANDLE - SS
	PE030090PVD		DOOR HANDLE 27 XBRX PVD
9	PS100001		DOOR SKIN - SS (LH)
	L9297545BK		SUB TO C9297545BK - SILK SCREEN (DUIM150)
	C9297545BT		SILK SCREEN (DUIM150)
	C9297545GG		SILK SCREEN (DUIM150)
	C9297545SG		SILK SCREEN (DUIM150)
	L9297545WH		SUB TO C9297545WH - SILK SCREEN (DUIM150)
	PW230042		COMPLETE SOLID DOOR (RH) 42244082
	L9297599BK		DOOR SKIN - BK (RH)
	C9297599BT		SILK SCREEN (DUIM150DR)
	C9297599GG		SILK SCREEN (DUIM150DR)
	C9297599SG		SILK SCREEN (DUIM150DR)
	L9297599WH		DOOR SKIN - WH (RH)
10	PW200052		SCREW
11	PW300246		HINGE BUSHING
No.	PW230041		VUIM DOOR ASSEMBLY - LH (SS) 42244083
No.	PW230042		COMPLETE SOLID DOOR (RH) 42244082