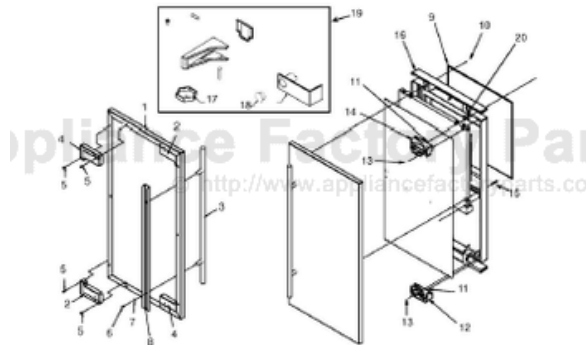


This Owner's Manual is provided and hosted by [Appliance Factory Parts](http://www.appliancefactoryparts.com).



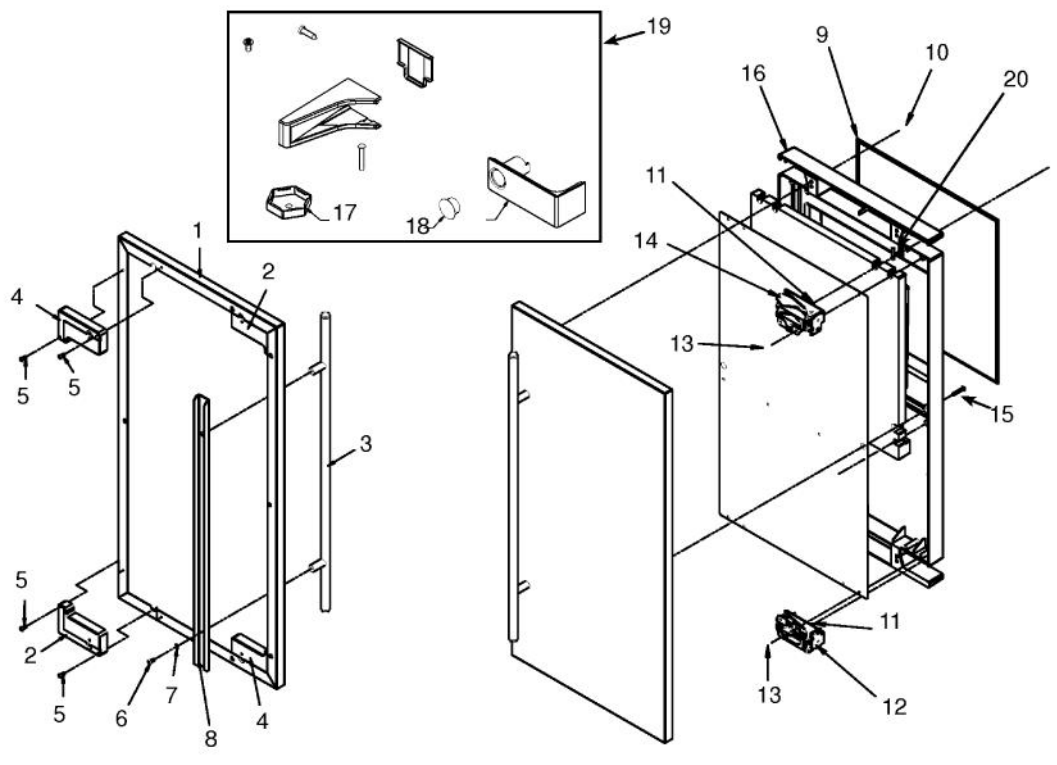
VIKING FGNI515 Owner's Manual

[Shop genuine replacement parts for VIKING FGNI515](#)

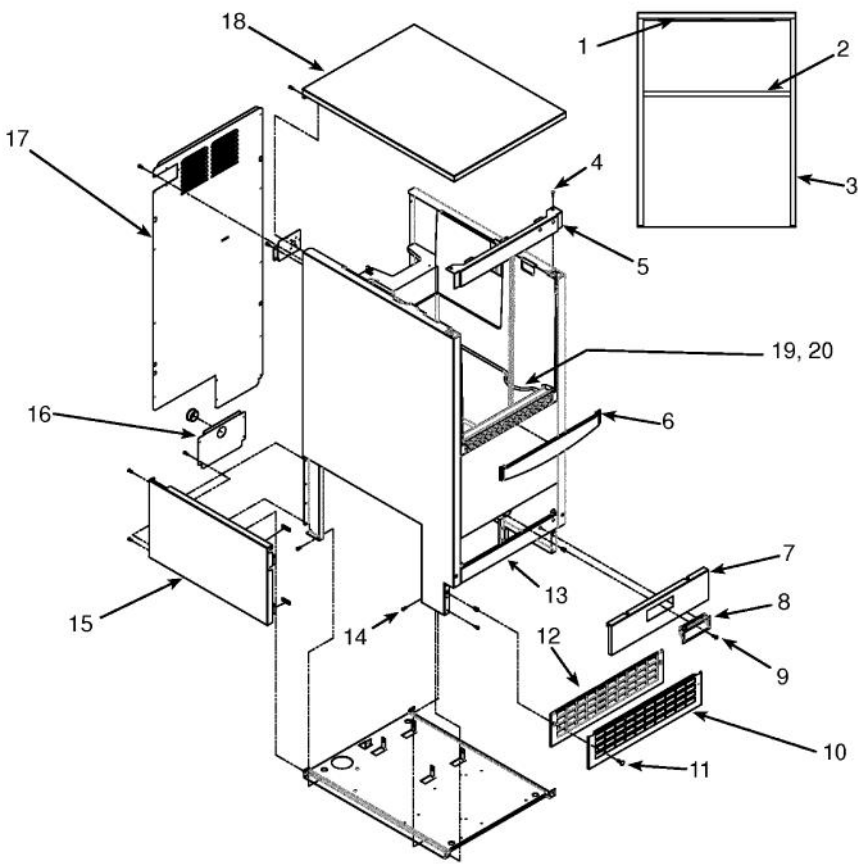


[Find Your VIKING Other Parts - Select From 40 Models](#)

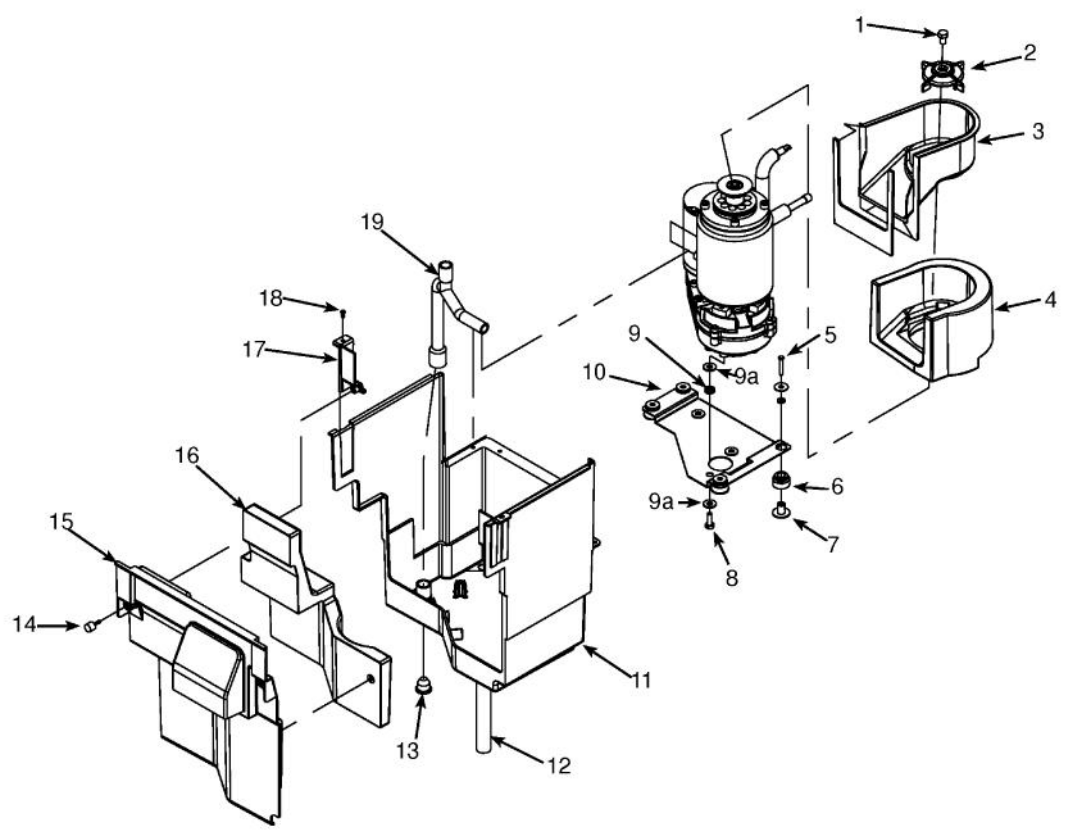
----- Manual continues below -----



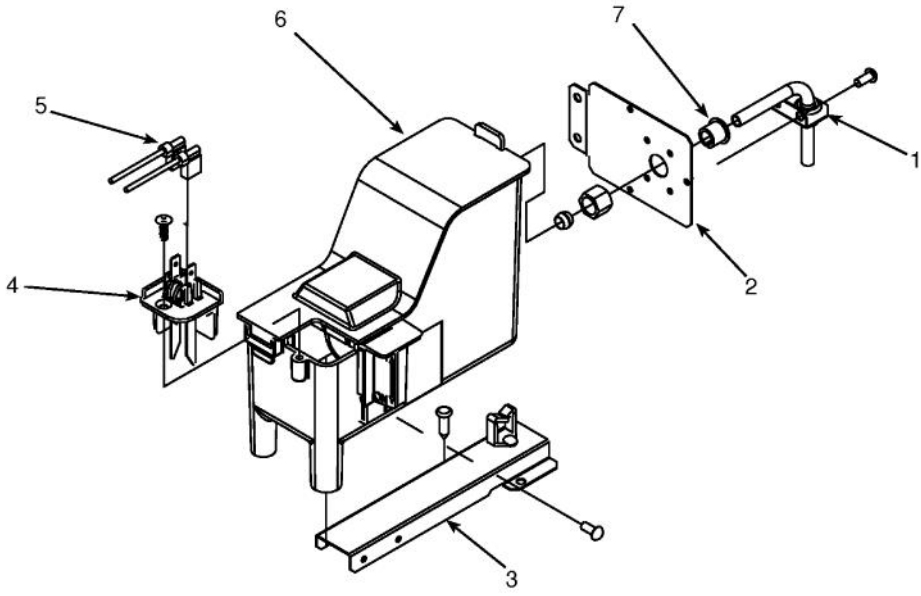
Ref #	Part Number	Qty.	Description
1	PIDP15L or PIDP15R		DOOR PANEL (SALES ITEM)
9	022633-000		DOOR GASKET
10	022631-000		SCREW
11	022632-000		SCREW-HINGE TO CABINET
12	022628-000		HINGE-TOP RIGHT/BOTTOM LEFT
13	022630-000		SCREW-HINGE TO DOOR
14	022628-000		HINGE-TOP RIGHT/BOTTOM LEFT
15	022629-000		SCREW
16	022635-000		DOOR ASSEMBLY, DOES NOT INCLUDE DOOR PANEL OR H...
17	022555-000		LEG CAP, PACK OF 4
18	022626-000		HOLE PLUG - WHITE
19	022560-000		HINGE COVER PACKAGE/HARDWARE
20	046708-000		MAGNET, DOOR SWITCH



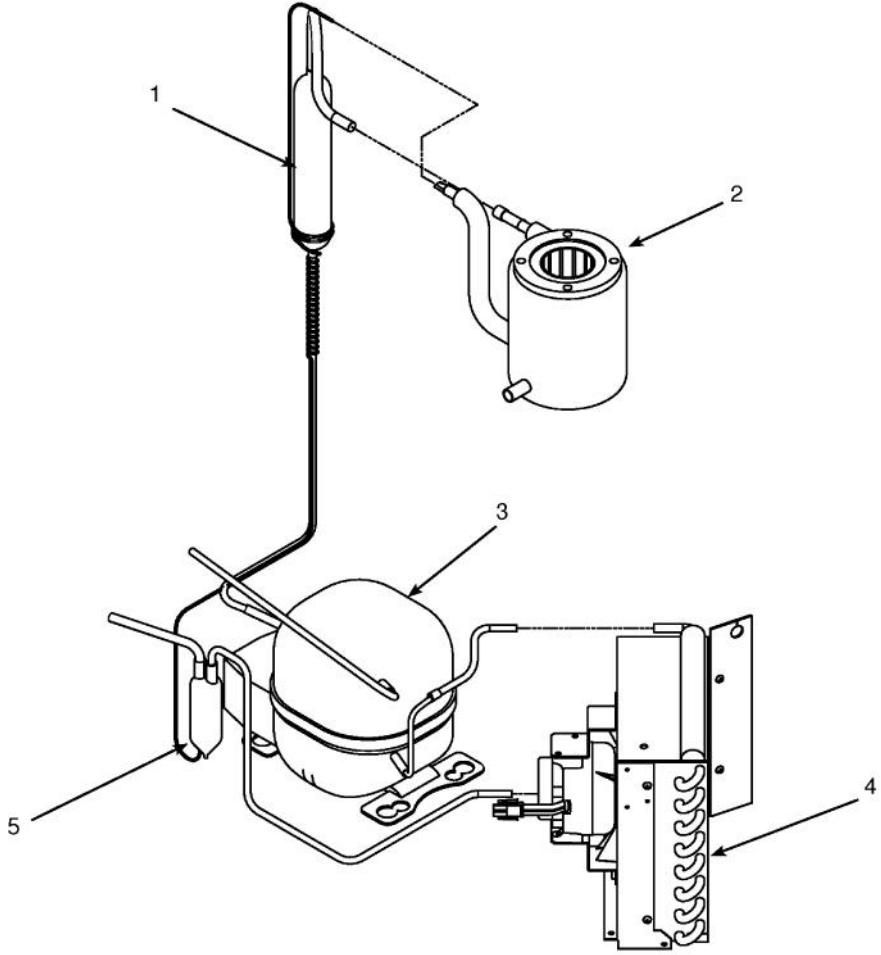
Ref #	Part Number	Qty.	Description
1	022597-000		FRONT GASKET
2	022599-000		MIDDLE GASKET
3	022598-000		SIDE GASKET
4	022569-000		SCREW
5	022611-000		TOP HINGE BRKT, RH SS
5	022612-000		TOP HINGE BRKT, LH SS
6	022557-000		INSULATION PAD
7	022625-000		SERVICE PANEL, SS
8	022525-000		HOLE PLUG
9	022563-000		SCREW
10	022620-000		KICKPLATE, SS
11	022567-000		SCREW, SS
12	022549-000		KICKPLATE
13	022622-000		BTM HINGE BRKT, RIGHT SS
13	022623-000		BTM HINGE BRKT, LEFT SS
14	022565-000		SCREW
15	046797-000		SIDE SERVICE PANEL
16	046800-000		DRAIN PANEL
17	051853-000		BACK PANEL
18	051854-000		TOP PANEL
18a	051855-000		TOP PANEL INSULATION
19	022606-000		BIN STAT BRACKET/SCOOP HLDR
20	022550-000		SCOOP



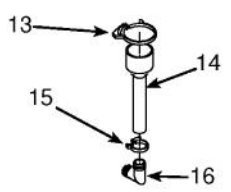
Ref #	Part Number	Qty.	Description
1	046751-000		SCREW, 5/16-18
2	046746-000		ICE SWEEP
3	046736-000		CHUTE
4	N/A		HEAT SHIELD - MUST ORDER ITEM NO. 11
5	046749-000		SCREW
6	046762-000		GROMMET
7	046763-000		FLANGED BUSHING
8	046750-000		CAP SCREW
9	046764-000		VIBRATION GROMMET
9a	046753-000		WASHER
10	046798-000		MOUNTING PLATE ONLY
11	046740-000		SHELF, GEAR AND EVAP ASY
12	046803-000		DRAIN
13	046778-000		DRAIN PLUG
14	022570-000		THUMB SCREW
15	046741-000		COVER
16	N/A		HEAT SHIELD - MUST ORDER ITEM NO. 11
17	022539-000		EVAP BRACKET, RIGHT
	022573-000		EVAP BRACKET, LEFT
18	022569-000		SCREW
19	046738-000		TUBE, RESERVOIR TO EVAP



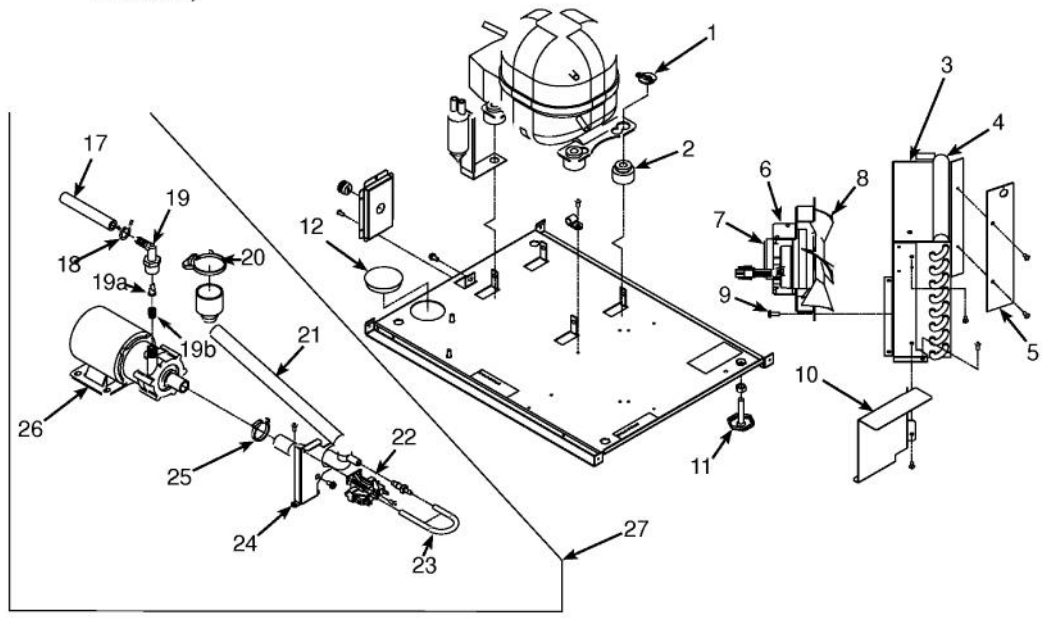
Ref #	Part Number	Qty.	Description
1	046807-000		BRACE
2	046801-000		BRACKET
3	046802-000		RESERVOIR MOUNTING BRACKET
4	046805-000		WATER LEVEL SENSOR
5	046774-000		WATER SENSOR HARNESS
6	046804-000		RESERVOIR W/VALVE AND COVER
7	046719-000		FLOAT AND VALVE ONLY



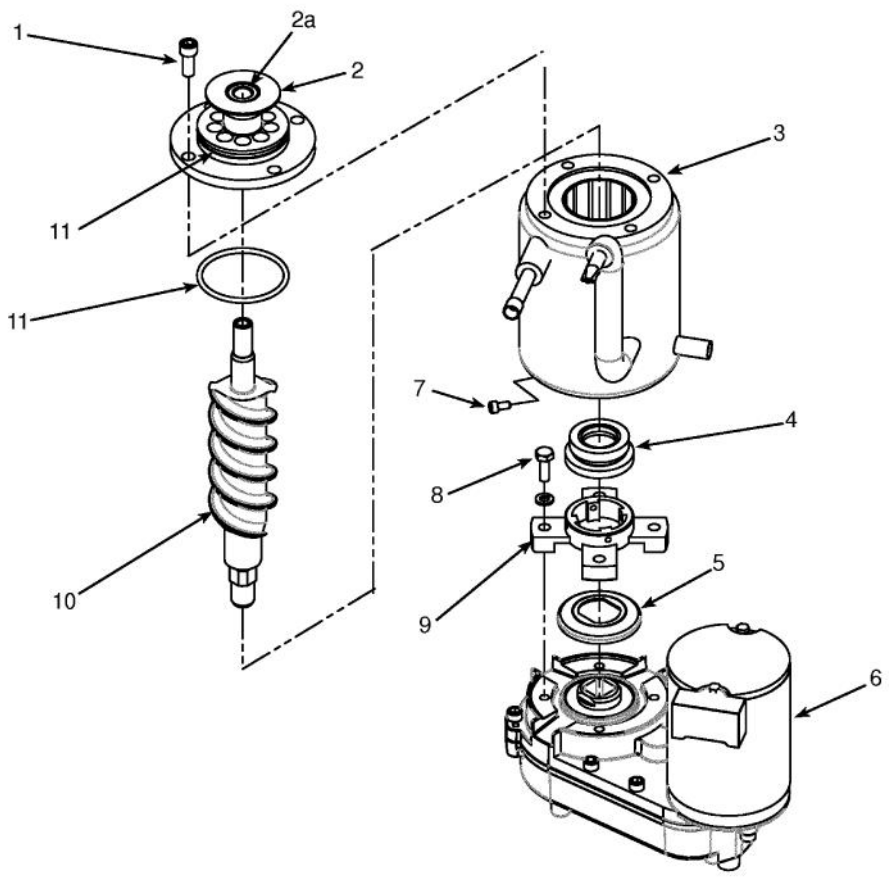
Ref #	Part Number	Qty.	Description
1	046791-000		SUCTION LINE W/CAP TUBE
2	046737-000		EVAPORATOR
3	046782-000		COMPRESSOR (COMPRESSOR INCLUDES OVERLOAD, RELAY AND DRYER)
3a	046784-000		OVERLOAD
3b	046783-000		RELAY
4	022605-000		CONDENSER
5	046723-000		DRYER



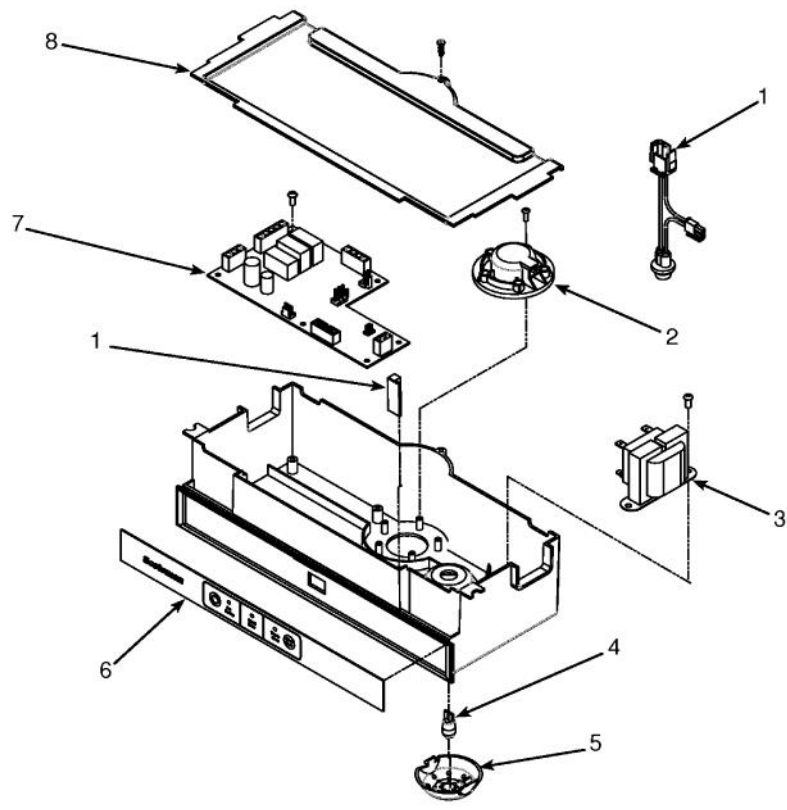
Gravity Drain
Models Only



Ref #	Part Number	Qty.	Description
1	022568-000		CLIP
1a	022564-000		WASHER
2	022601-000		GROMMET
3	022619-000		FAN SHROUD
4	022596-000		GASKET
5	N/A		HEAT SHIELD - MUST ORDER ITEM NO. 11
6	022621-000		FAN MOTOR BRACKET
7	022593-000		FAN MOTOR
8	022532-000		FAN BLADE
9	022632-000		SCREW-HINGE TO CABINET
10	046806-000		PUMP MODEL RAIN SHIELD
11	022566-000		LEG LEVELER
12	022526-000		HOLE PLUG
13	022528-000		HOSE CLAMP
14	022552-000		DRAIN HOSE
15	022527-000		HOSE CLAMP
16	022600-000		ELBOW
17	022607-000		DISCHARGE HOSE (PUMP MODELS ONLY)
18	022524-000		HOSE CLAMP (PUMP MODELS ONLY)
19	022531-000		ELBOW (PUMP MODELS ONLY)
19a	022529-000		CHECK VALVE (PUMP MODELS ONLY)
19b	022571-000		SPRING (PUMP MODELS ONLY)
20	022528-000		HOSE CLAMP (PUMP MODELS ONLY)
21	022553-000		DRAIN TUBE (PUMP MODELS ONLY)
22	022574-000		PRESSURE SWITCH (PUMP MODELS ONLY)
23	022572-000		SWITCH HOSE (PUMP MODELS ONLY)
24	022613-000		SWITCH BRACKET (PUMP MODELS ONLY)
25	022528-000		HOSE CLAMP (PUMP MODELS ONLY)
26	022582-000		PUMP & MOTOR ONLY (PUMP MODELS ONLY)
27	DPFGIM		PUMP KIT (PUMP MODELS ONLY)



Ref #	Part Number	Qty.	Description
1	046756-000		CAP SCREW
2	046795-000		BREAKER W/BEARING
2a	046744-000		BEARING ONLY
3	046737-000		EVAPORATOR
4	046743-000		WATER SEAL
5	046747-000		WATER SHED
6	046739-000		GEAR REDUCER COMPLETE
7	046755-000		CAP SCREW
8	046752-000		CAP SCREW
9	046745-000		ADAPTER
10	046742-000		AUGER
11	046777-000		O-RING



Ref #	Part Number	Qty.	Description
1	046775-000		LIGHT SWITCH, BULB SOCKET AND HARNESS
2	046768-000		ICE LEVEL SENSOR
3	022583-000		TRANSFORMER
4	046776-000		BULB
5	022542-000		LIGHT COVER
6	051856-000		MEMBRANE
7	046769-000		CONTROLLER
8	022548-000		COVER
NI	046770-000		POWER CORD