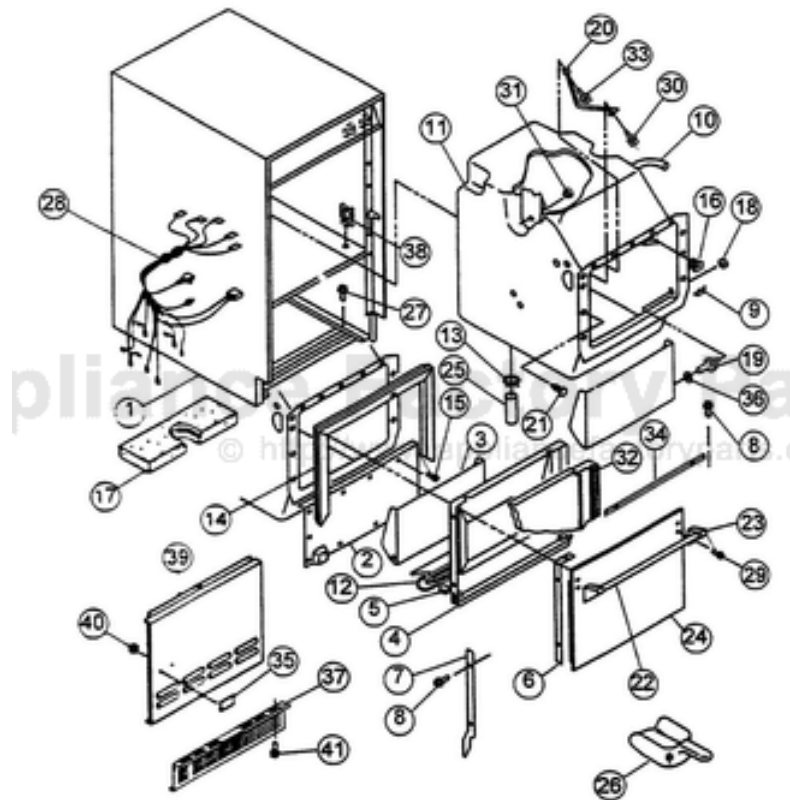


This Owner's Manual is provided and hosted by [Appliance Factory Parts](#).



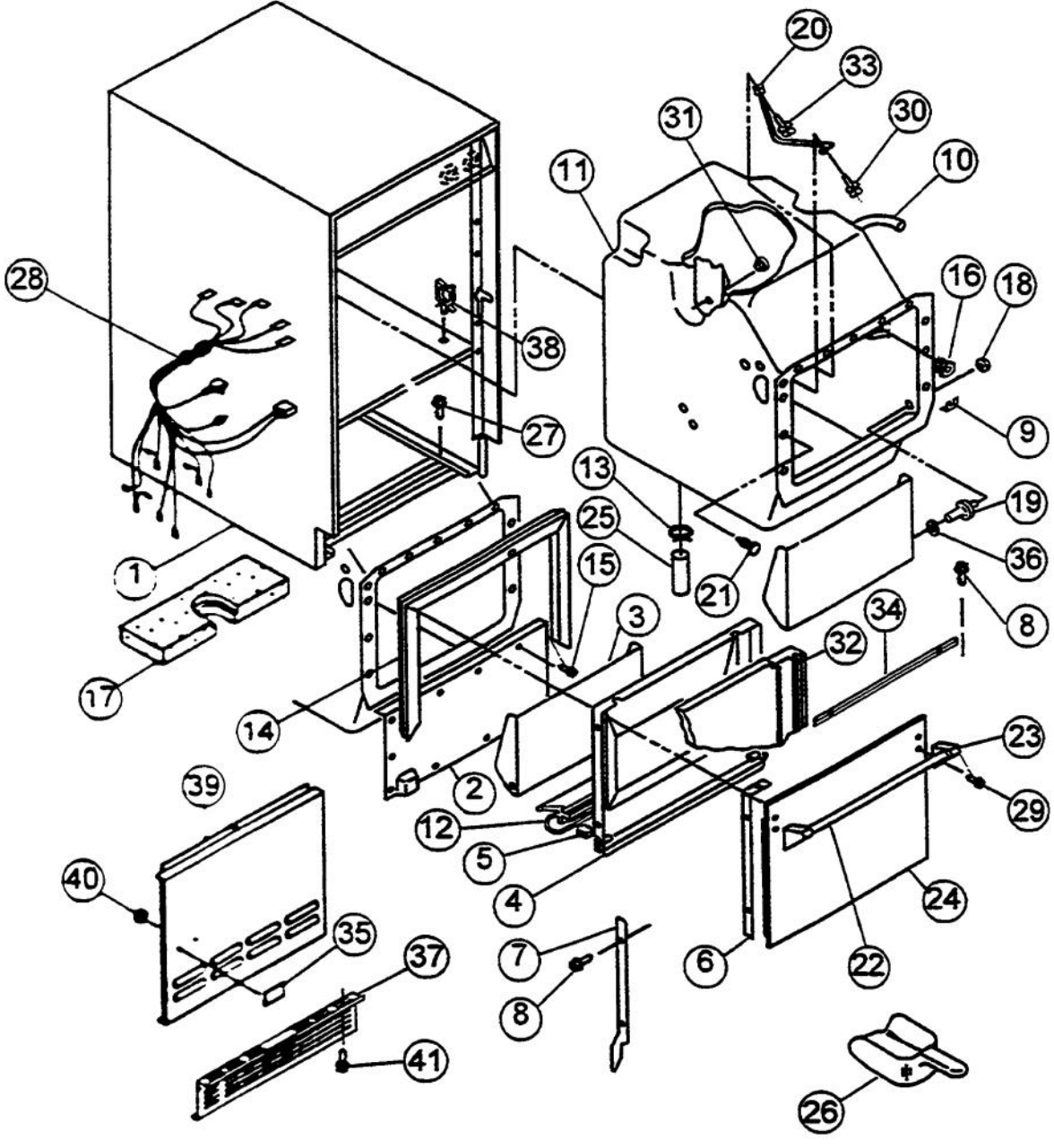
VIKING VUIM180 Owner's Manual

[Shop genuine replacement parts for VIKING VUIM180](#)



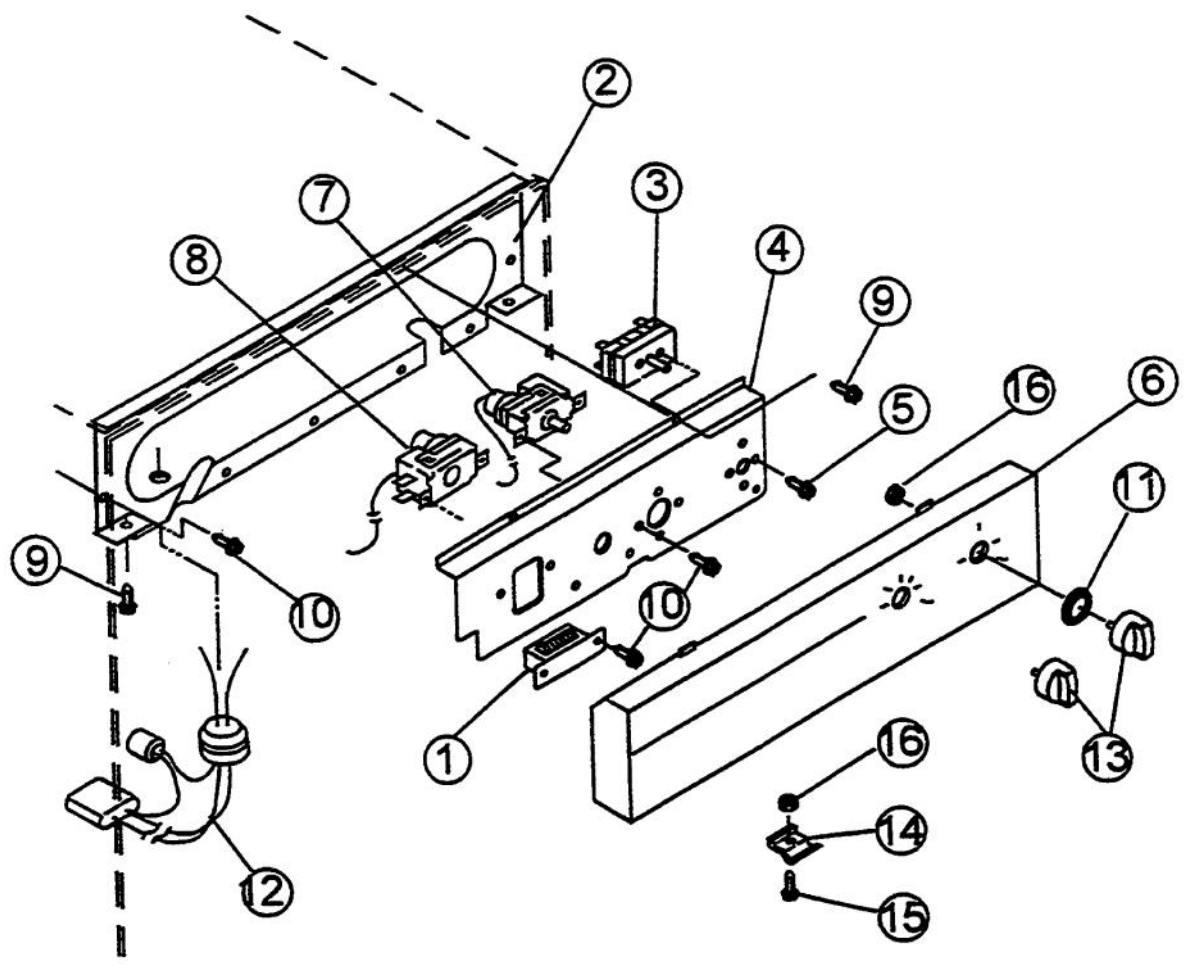
[Find Your VIKING Other Parts - Select From 40 Models](#)

----- Manual continues below -----

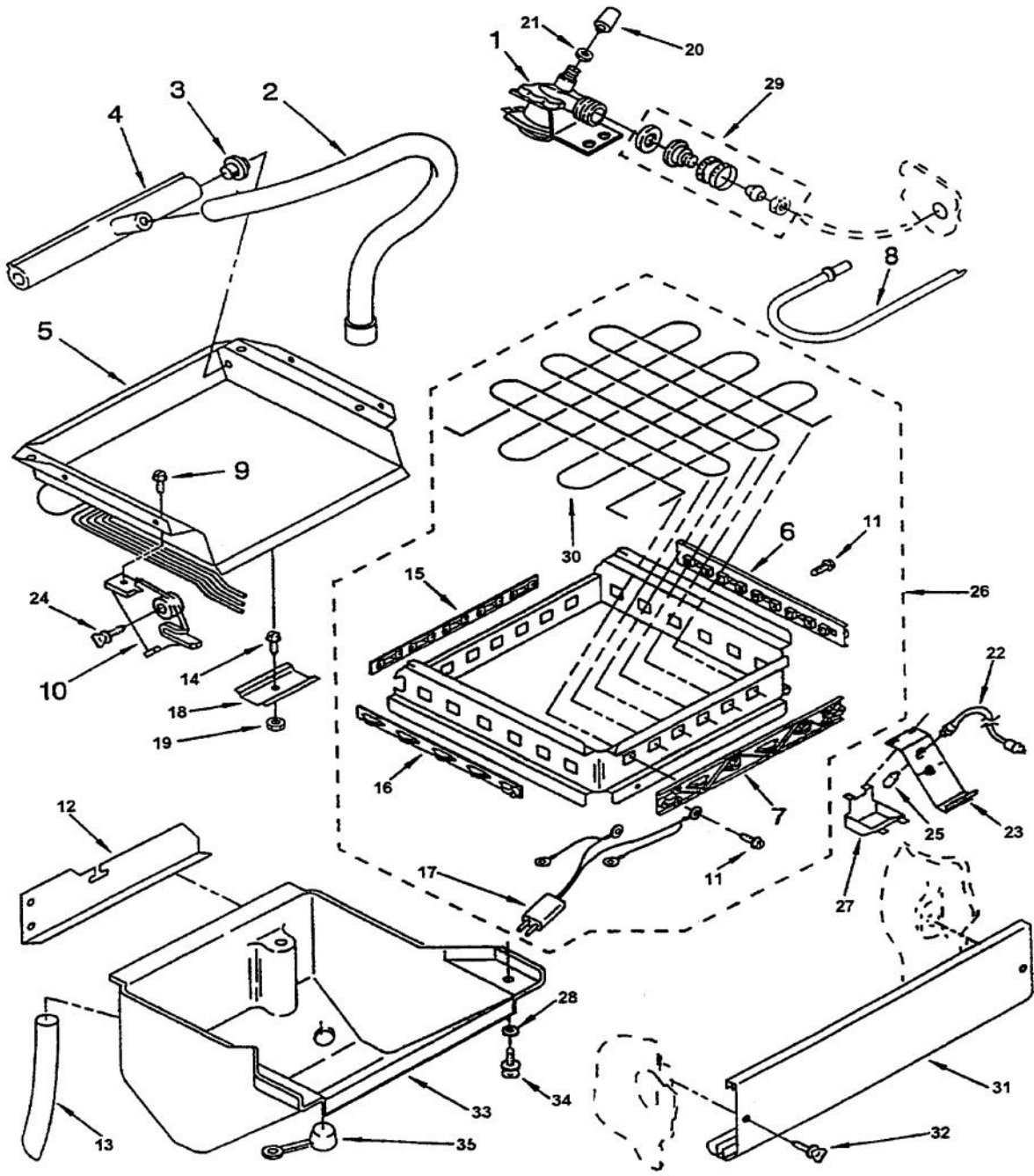


Ref #	Part Number	Qty.	Description
1	NOT REPLACEABLE		OVEN CAVITY (NOT REPLACEABLE PART)
2	PW300053		FRONT,SHELL
3	PW300054		DOOR,INNER BIN
4	PW300055		LINER,DOOR
5	PW300001		PLUG HINGE 593192
6	PW300116		STRIP,TAPING
7	PW300086		RAIL,R.S.
	PW300087		RAIL,L.S. (758754)
8	PW300002		SCREW 8-32 X 5/8 681459
9	PW300003		WASHER 758492
10	PW300111		TUBE,WATER FILL
11	PW300056		LINER ASSEMBLY
12	PW300004		GASKET BOTTOM 2172898
13	PW300005		CLAMP 596023
14	PW300117		GASKET
15	PW300006		SCREW NO.8 X 1/2 487909
16	PW300007		GROMMET (NO LONGER AVAILABLE)
17	PW300118		INSULATION,BOTTOM FOAM
18	PW300008		NUT 681542
19	PW300009		STUD 758220
20	PW300110		CONNECTOR HOSE
21	PW300010		CLIP PANEL 596812
22	F0002577SS		DRAWER HANDLE-VUC180 (S.S.)
	F0002577BR		DRAWER HANDLE VUC180 (BRASS)
23	PE030001		BRACKET, DOOR, HANDLE
	PE030001PVD		END CAP DOOR HANDLE XBR
24	PW300057		PANEL,EXTERIOR
	C9003440AL		O/S DOOR PANEL- XALX (VUIM180)
	C9003440BK		O/S DOOR PANEL-XBKX (VUIM180)
	C9003440BU		O/S DOOR PANEL-XBUX (VUIM180)
	C9003440FG		O/S DOOR PANEL-XFGX (VUIM180)
	C9003440GG		O/S DOOR PANEL- XGGX (VUIM180)
	C9003440LN		O/S DOOR PANEL- XLNX (VUIM180)
	C9003440PL		O/S DOOR PANEL-XPLX (VUIM180)
	C9003440VB		O/S DOOR PANEL- XVBX (VUIM180)
	C9003440WH		O/S DOOR PANEL- X WHX (VUIM180)
25	PW300110		CONNECTOR HOSE
26	PW300133		SCOOP
27	PW300011		SCREW 10-32 X 3/8 680811
28	PW300101		HARNES,CABINET 2181157
29	PW300012		SCREW 488531
30	PW300013		THUMBSCREW 10-1/2 680930
31	PW300014		WELL NUT 596715
32	PW300119		INSULATION,DOOR
33	PW300015		THUMBSCREW 10 X 1/2 681419
34	PW300058		TRIM,DOOR TOP
35	PE010016		NAMEPLATE, LOGO, PRO
	PE010017		LOGO (VGSO,VEDO,VGDO,VUD) XWH/CHR
	PE010079		4.5 LOGO/VIKING PROF, BK/BR
	PE010080		4.5 LOGO/VIKING PROF XWH/BR
36	PW300016		WASHER 681613
37	PW300059		GRILL FRONT 758769
38	PW300052		RETAINER WIRE 489482
39	PW300060		PANEL FRONT 2180968
	C9003441AL		LOWER ACC PAN- XALX (VUIM180)
	C9003441BK		LOWER ACC PAN- XBKX (VUIM180)
	C9003441BU		LOWER ACCESS PANEL - BU
	C9003441FG		LOWER ACCESS PANEL - FG
	C9003441GG		LOWER ACCESS PANEL - GG
	C9003441LN		LOWER ACCESS PANEL - LN

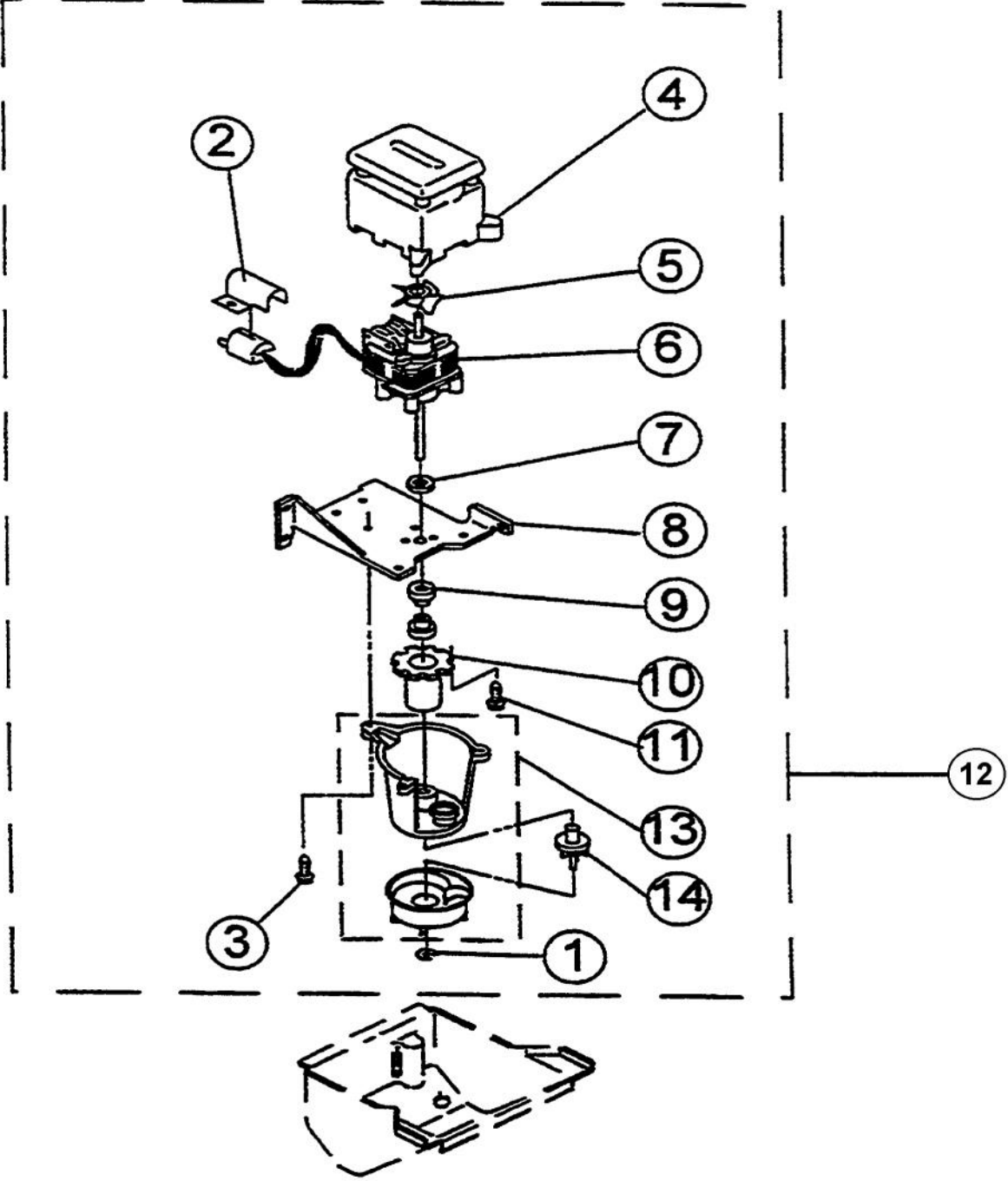
Ref #	Part Number	Qty.	Description
	C9003441LN		LOWER ACCESS PANEL - LN
	C9003441PL		LOWER ACCESS PANEL - PL
	C9003441VB		LOWER ACCESS PANEL - VB
	C9003441WH		LOWER ACC PAN- XWHX (VUIM180)
40	PW300017		NUT 2004333
41	PW300006		SCREW NO.8 X 1/2 487909



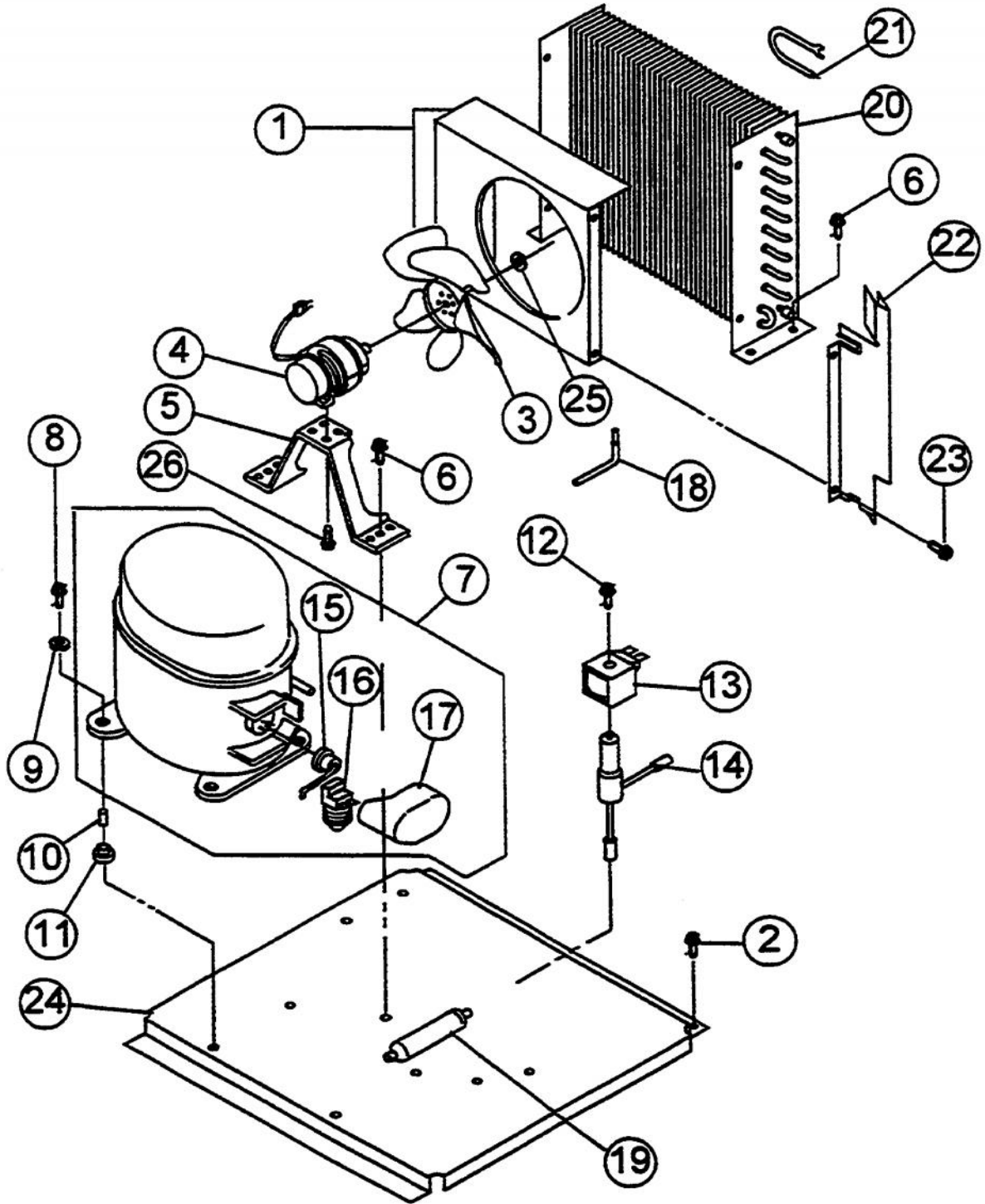
Ref #	Part Number	Qty.	Description
1	PW300093		TRANSFORMER 2165483
2	PW300074		ESCUTCHEON,PANEL
3	PW300126		SWITCH SERVICE 2181045
4	PW300075		BRACKET, CONTROL
5	PW300050		SCREW 8-32 X 1/4 595005
6	PW300076		ESCUTCHEON
7	PW300094		THERMOSTAT EVAPORATOR 759308
8	PW300095		THERMOSTAT BIN CONTROL 759309
9	PW300031		SCREW NO.8 X 1/2 487909
10	PW300032		SCREW 681036
11	PB010106		BEZEL - SS
	PB010107		SUB TO PB010172 - BRASS BEZEL
12	PW300096		HARNESS,GRID
13	PW300120		TIMER KNOB, BLACK XVUIM180X
	PW300134		TIMER KNOB, WHITE XVUIM180X
14	PW300122		LATCH
15	PW300033		SCREW 8-32 X 1/2 680964
16	PW300034		NUT488130



Ref #	Part Number	Qty.	Description
1	PW300102		VALVE WATER COMP 759296
2	PW300114		TUBE, PLASTIC
3	PW300018		PLUG 758597
4	PW300113		DISPENSER, WATER
5	PW300061		EVAPORATOR 2181076
6	PW300062		SPACER, ADJUSTABLE (SIDE)
7	PW300063		SPACER, ADJUSTABLE (FRONT)
8	PW300103		TUBE, WATER FILL
9	PW300019		SCREW 10-12 X 1/2 489049
10	PW300064		BRACKET, GRID MOUNTING
11	PW300020		SCREW 489443
12	PW300065		SHELF, WATER PAN
13	PW300104		HOSE, OVERFLOW
14	PW300021		SCREW 10-32 X 1/2 596037
15	PW300066		SPACER, FIXED (REAR)
16	PW300067		SPACER, FIXED (SIDE)
17	PW300088		HARNES, GRID
18	PW300022		CLAMP 587662
19	PW300023		NUT WING 681676
20	PW300024		INSERT 4387491
21	PW300025		NUT & SLEEVE ASSEMBLY 627018
22	PW300089		HARNES, LIGHT
23	PW300068		BRACKET, LAMP
24	PW300026		THUMBSCREW 681611
25	PW300130		BULB 676304
26	PW300128		GRID ASSEMBLY (COMPLETE) WPNO. 2174861
27	PW300069		SHIELD, LIGHT
28	PW300027		WASHER 681245
29	PW300127		ADAPTOR
30	PW300090		WIRE, GRID CUTTER
31	PW300070		PANEL, GRID
32	PW300028		THUMBSCREW 10-32 X 5/8 681534
33	PW300071		PAN 756659
34	PW300015		THUMBSCREW 10 X 1/2 681419
35	PW300030		STOPPER WATER PAN 759043



Ref #	Part Number	Qty.	Description
1	PW300049		RING RETAINER 681301
2	PW300072		COVER,PLUG
3	PW300044		SCREW 8-18 X 3/4 681391
4	PW300083		HOUSING,MOTOR
5	PW300084		BLADE,FAN
6	PW300091		MOTOR,PUMP
7	PW300045		WASHER 583424
8	PW300073		BRACKET,PUMP
9	PW300046		GROMMET 596016
10	PW300047		SLEEVE 593229
11	PW300048		SCREW 8-32 X 3/8 681390
12	PW300132		PUMP,WATER (COMPLETE ASSY.) 756782
13	PW300092		PUMP
14	PW300105		IMPELLER (INCLUDES RETAINING CLIP



Ref #	Part Number	Qty.	Description
1	PW300077		SHROUD 2180948
2	PW300035		SCREW 680811
3	PW300085		BLADE,FAN
4	PW300097		MOTOR FAN 978483
5	PW300078		BRACKET
6	PW300036		SCREW 1/4-20 X 1/2 681305
7	PW300098		COMPRESSOR 4388620
8	PW300037		SCREW - NLA
9	PW300038		WASHER 486645
10	PW300039		SLEEVE 585564
11	PW300040		GROMMET 596355
12	PW300041		SCREW 489472
13	PW300123		COIL,SOLENOID
14	PW300106		VALVE BODY 759113
15	PW300124		OVERLOAD
16	PW300125		RELAY,START
17	PW300079		COVER,TERMINAL
18	PW300107		TUBE PROCESS
19	PW300099		DRIER 4387019
20	NLA		CONDENSER
21	PW300109		ACCUMULATOR
22	PW300080		DEFLECTOR FRONT 758811
23	PW300042		SCREW 8 X 3/8 681167
24	PW300081		BASE,UNIT
25	PW300051		WASHER CONICAL 1/4 - 20 HEX 681650
26	PW300043		SCREW 489199