

This Owner's Manual is provided and hosted by [Appliance Factory Parts](#).



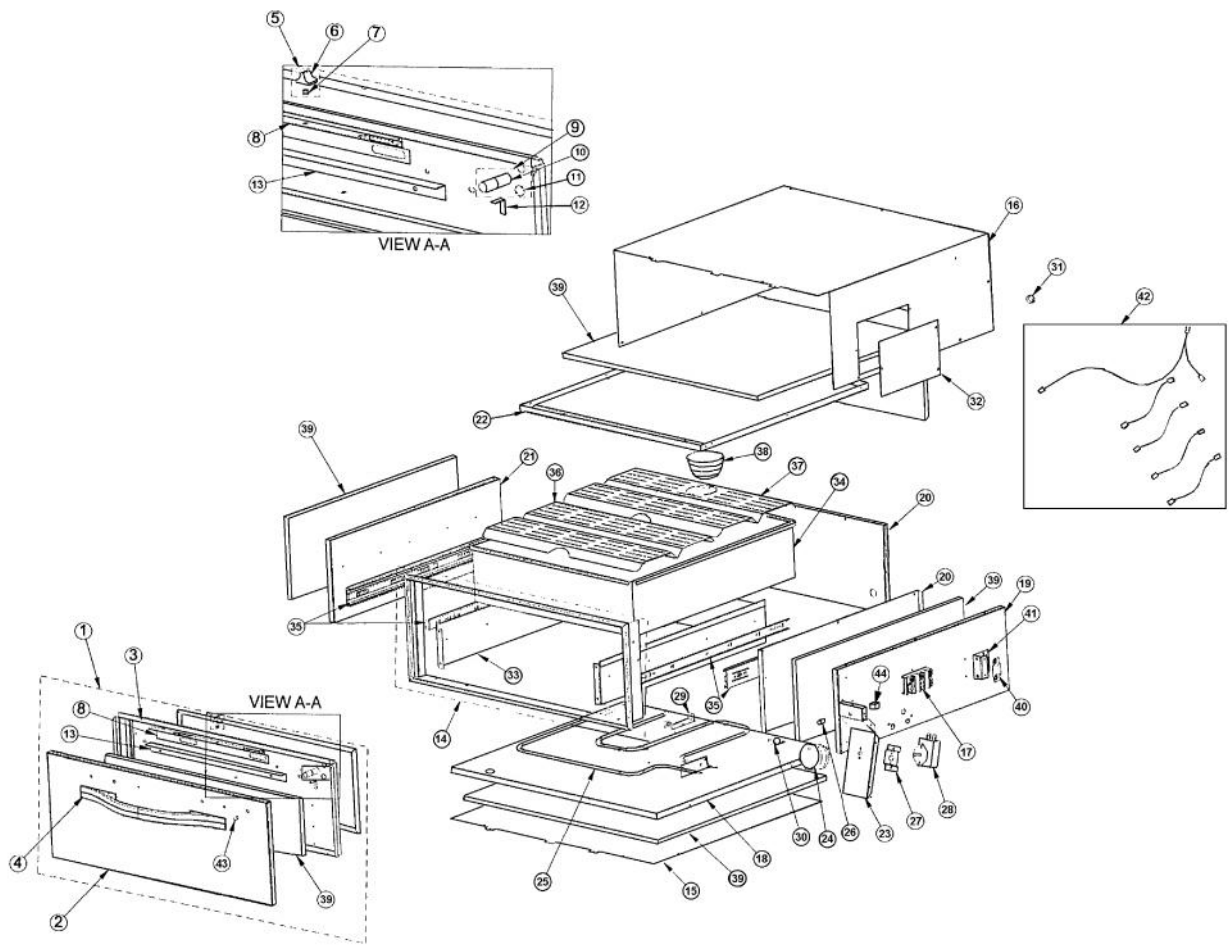
VIKING DEWD100 Owner's Manual

[Shop genuine replacement parts for VIKING DEWD100](#)



[Find Your VIKING Grill Parts - Select From 210 Models](#)

----- Manual continues below -----



Ref #	Part Number	Qty.	Description
1	G3206077BK		DESIGN WD 30 DOOR ASSY XBKX (BEFORE SERIAL NO. W092104471)
	G3206077BKBR		DESIGN WD 30 DOOR ASSY XBKBRX (BEFORE SERIAL NO. W092104471)
	G3206077BT		DESIGN WD 30 DOOR ASSY XBTX (BEFORE SERIAL NO. W092104471)
	G3206077BTBR		DESIGN WD 30 DOOR ASSY XBTBRX (BEFORE SERIAL NO. W092104471)
	G3206077GG		COMPLETE DOOR ASSY - GG (BEFORE SERIAL NO. W09210... (BEFORE SERIAL NO. W092104471)
	G3206077GGBR		DESIGN WD 30 DOOR ASSY XGGBRX (BEFORE SERIAL NO. W092104471)
	G3206077SG		DESIGN WD 30 DOOR ASSY XSGX (BEFORE SERIAL NO. W092104471)
	G3206077SGBR		DESIGN WD 30 DOOR ASSY XSGBRX (BEFORE SERIAL NO. W092104471)
	G3206077		DISGN WD 30 DOOR ASSY XSSX (DEWD (BEFORE SERIAL NO. W092104471)
	G3206077SSBR		DESIGN WD 30 DOOR ASSY XSSBRX (BEFORE SERIAL NO. W092104471)
	G3206077WH		DESIGN WD 30 DOOR ASSY XWHX (BEFORE SERIAL NO. W092104471)
	G3206077WHBR		DESIGN WD 30 DOOR ASSY XWHBRX (BEFORE SERIAL NO. W092104471)
	G3207366BK		DESIGN WD 30 DOOR ASSY XBKX (AFTER SERIAL NO. W092104471)
	G3207366BKBR		DESIGN WD 30 DOOR ASSY XBKBRX (AFTER SERIAL NO. W092104471)
	G3207366BT		DESIGN WD 30 DOOR ASSY XBTX (AFTER SERIAL NO. W092104471)
	G3207366BTBR		DESIGN WD 30 DOOR ASSY XBTBRX (AFTER SERIAL NO. W092104471)
	G3207366GG		DESIGN WD 30 DOOR ASSY XGGX (AFTER SERIAL NO. W092104471)
	G3207366GGBR		DESIGN WD 30 DOOR ASSY XGGBRX (AFTER SERIAL NO. W092104471)
	G3207366SG		DESIGN WD 30 DOOR ASSY XSGX (AFTER SERIAL NO. W092104471)
	G3207366SGBR		DESIGN WD 30 DOOR ASSY XSGBRX (AFTER SERIAL NO. W092104471)
	G3207366SS		DESIGN WD 30 DOOR ASSY XSSX (AFTER SERIAL NO. W092104471)
	G3207366SSBR		DESIGN WD 30 DOOR ASSY XSSBRX (AFTER SERIAL NO. W092104471)
	G3207366WH		DESIGN WD 30 DOOR ASSY XWHX (AFTER SERIAL NO. W092104471)
	G3207366WHBR		DESIGN WD 30 DOOR ASSY XWHBRX (AFTER SERIAL NO. W092104471)
2	B9206027		30 O/S DOOR PANEL XSILKSCREENX (D (BEFORE SERIAL NO. W092104471)
	B9207361		30 O/S DEWD DOORXSILKSCREENX (AFTER SERIAL NO. W092104471)
	C9206027BK		30 DEWD O/S DOOR PANELXSILKSCREEN (BEFORE SERIAL NO. W092104471)
	C9206027BT		30 DEWD O/S DOOR PANELXSILKSCREEN (BEFORE SERIAL NO. W092104471)
	C9206027GG		MASTER (BEFORE SERIAL NO. W092104471)
	C9206027SG		30 DEWD O/S DOOR PANELXSILKSCREEN (BEFORE SERIAL NO. W092104471)

Ref #	Part Number	Qty.	Description
	C9206027WH		(BEFORE SERIAL NO. W092104471) 30 DEWD O/S DOOR PANELXSILKSCREEN
	C9207361BK		(BEFORE SERIAL NO. W092104471) O/S DOOR PANEL (DEWD100) XBKXSLKSCR
	C9207361BT		(AFTER SERIAL NO. W092104471) O/S DOOR PANEL (DEWD100) XBTXSLKSCR
	C9207361GG		(AFTER SERIAL NO. W092104471) O/S DOOR PANEL (DEWD100) XGGXSLKSCR
	C9207361SG		(AFTER SERIAL NO. W092104471) O/S DOOR PANEL (DEWD100) XSGXSLKSCR
	C9207361WH		(AFTER SERIAL NO. W092104471) O/S DOOR PANEL (DEWD100) XWHXSLKSCR
3	E9106028		30 DESIGN. WARM. DRAW. INNER DOOR (BEFORE SERIAL NO. W092104471)
	E9107362		30 DESIGN. WARM. DRAW. INNER DOOR (AFTER SERIAL NO. W092104471)
4	PE030167		30 DOOR HANDLE
	PE030167PVD		30 DOOR HANDLE PVD
5	PB010202		DESIGNER WD SLIDE KNOB ASSY
6	M6006255BK		DEWD MOISTURE SLIDE KNOB XBKX
7	PD030069		DAMPER KNOB INSERT (DEWD)
8	B2004879		SLIDE DAMPER
9	G5006054		DISGN WD TUBE ASSY DEWD170/100
10	F0004870		DISGN WD LITEPIPE (DEWD170/100)
11	PE050086		DISGN WD MAGNIFIER LENS (DEWD)
12	B2006313		LIGHT TUBE BRACKET
13	B2006314		INSULATION BRACKET (DEWD)
14	G3006038SS		TRIM ASSEMBLY - SS (BEFORE SERIAL NO. W092104471) (BEFORE SERIAL NO. W092104471)
	G9006038BK		DESIGN WD 30 TRIM ASSY XBKX (BEFORE SERIAL NO. W092104471)
	G9006038BT		DESIGN WD 30 TRIM ASSY XBTX (BEFORE SERIAL NO. W092104471)
	G9006038GG		DESIGNER WD 30 TRIM ASSY XGGX (BEFORE SERIAL NO. W092104471)
	G9006038SG		DESIGN WD 30 TRIM ASSY XSGX (BEFORE SERIAL NO. W092104471)
	G9006038WH		DESIGN WD 30 TRIM ASSY XWHX (BEFORE SERIAL NO. W092104471)
	G3007375SS		DESIGN WD 30 TRIM ASSY (AFTER SERIAL NO. W092104471)
	G9007375BK		DESIGN WD 30 TRIM ASSY XBKX (AFTER SERIAL NO. W092104471)
	G9007375BT		DESIGN WD 30 TRIM ASSY XBTX (AFTER SERIAL NO. W092104471)
	G9007375GG		DESIGN WD 30 TRIM ASSY XGGX (AFTER SERIAL NO. W092104471)
	G9007375SG		DESIGN WD 30 TRIM ASSY XSGX (AFTER SERIAL NO. W092104471)
	G9007375WH		DESIGN WD 30 TRIM ASSY XWHX (AFTER SERIAL NO. W092104471)
15	A1006069		BOTTOM COVER
16	A2004876		ALL SIDES COVER
17	PE070147		TERMINAL BLOCK
18	B2006047		30 DISGN WD BTM (DEWD100)
19	B2006034		DISGN RH WD SIDE (DEWD170/100)
20	B2006074		DISGN WD INSIDE WALL (DEWD170/100)
21	B2006033		DISGN LH WD SIDE (DEWD170/100)
22	B2006059		30 DISGN WD TOP (DEWD100)

Ref #	Part Number	Qty.	Description
22	B2006059		30 DISGN WD TOP (DEWD100)
23	B9206056		CONTROL PANEL
24	PB010201		DESIGNER WD KNOB
25	PJ010023		ELEMENT 30 <DEWD>
26	PE050023		OVEN IND. LIGHT (LENS & BEZEL)
27	A2006075		THERMOSTAT SPACER, DESIGNER
28	PB010167		THERMOSTAT
29	B2004148		THERMAL BULB BRKT (VEWD)
30	PD030009		CLAMP, AL-8 (.500)
31	PD040005		SNAP BUSHING - 7/8
32	A1004135		ACCESS PLATE (VEWD)
33	B2006044		30 DISGN WD PAN SPT (DEWD100)
34	B3006050		30 DISGN WD PAN XWELDEDX (DEWD100)
35	PC080010		SLIDE
36	B2006061		DISGN FRONT RACK (DEWD100)
37	B2006063		DISGN REAR RACK (DEWD100)
38	PA030005		6OZ. STAINLESS STEEL BOWL (6960)
39	PB070034		INSULATION-TRS-10 1 X 20 X 3'
40	A1002457		POWER CORD MOUNTING STRAP (VDSC)
41	A2002195		POWER CORD MOUNTING BRKT (VDSC)
42	PE070377		VEWD/DEWD WIRE HARNESS
43	PE050084		DEWD O/S INDICATOR LENS
44	PE050024		OVEN IND. LIGHT (LIGHT HOUSING)
NI	PD950012	1	STRIKE PANEL ACCESS
NI	PD950013	1	LATCH PANEL ACCESS