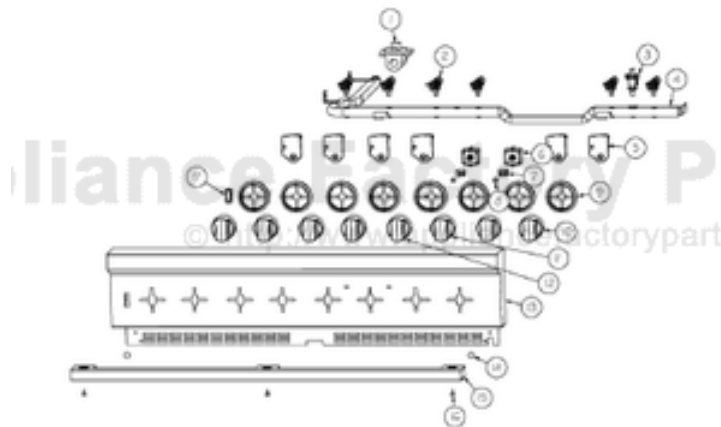


This Owner's Manual is provided and hosted by [Appliance Factory Parts](#).



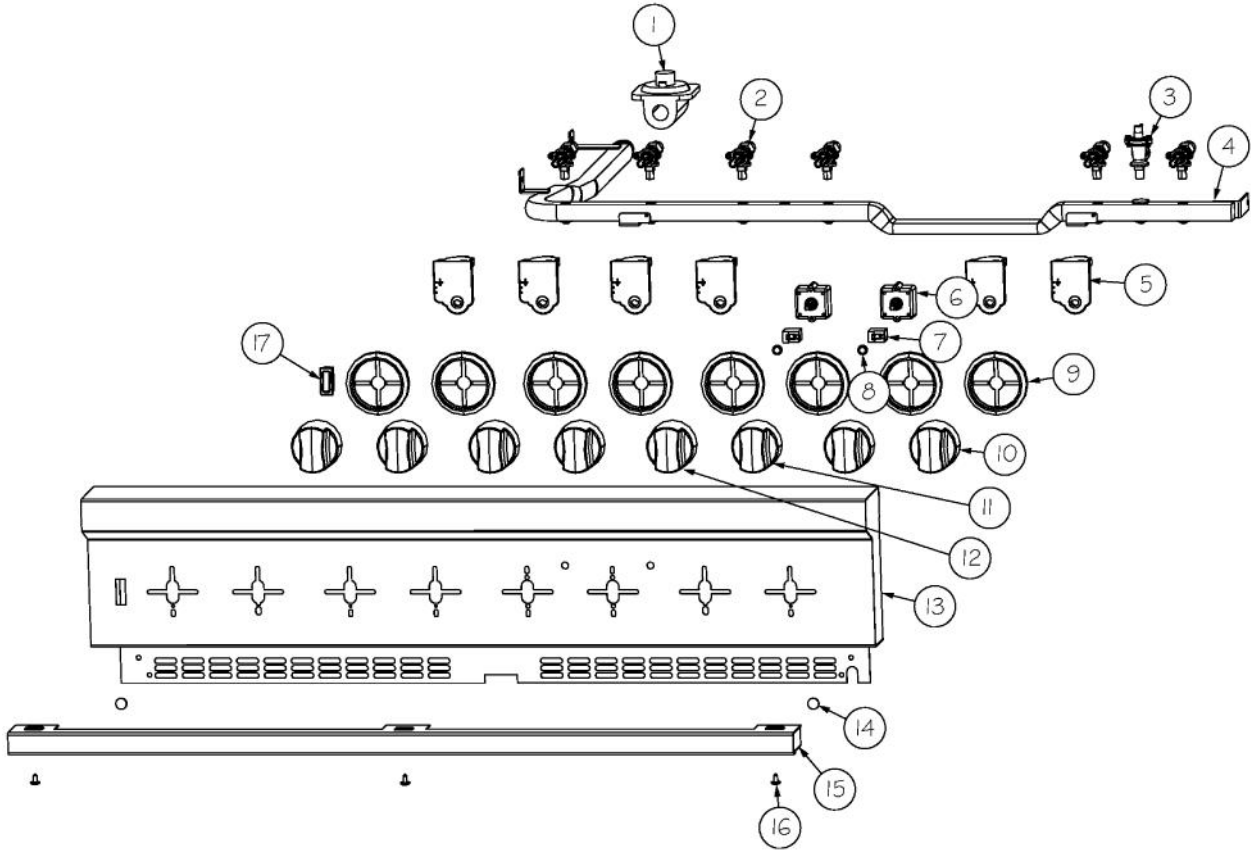
VIKING VGSC536-6B Owner's Manual

[Shop genuine replacement parts for VIKING
VGSC536-6B](#)

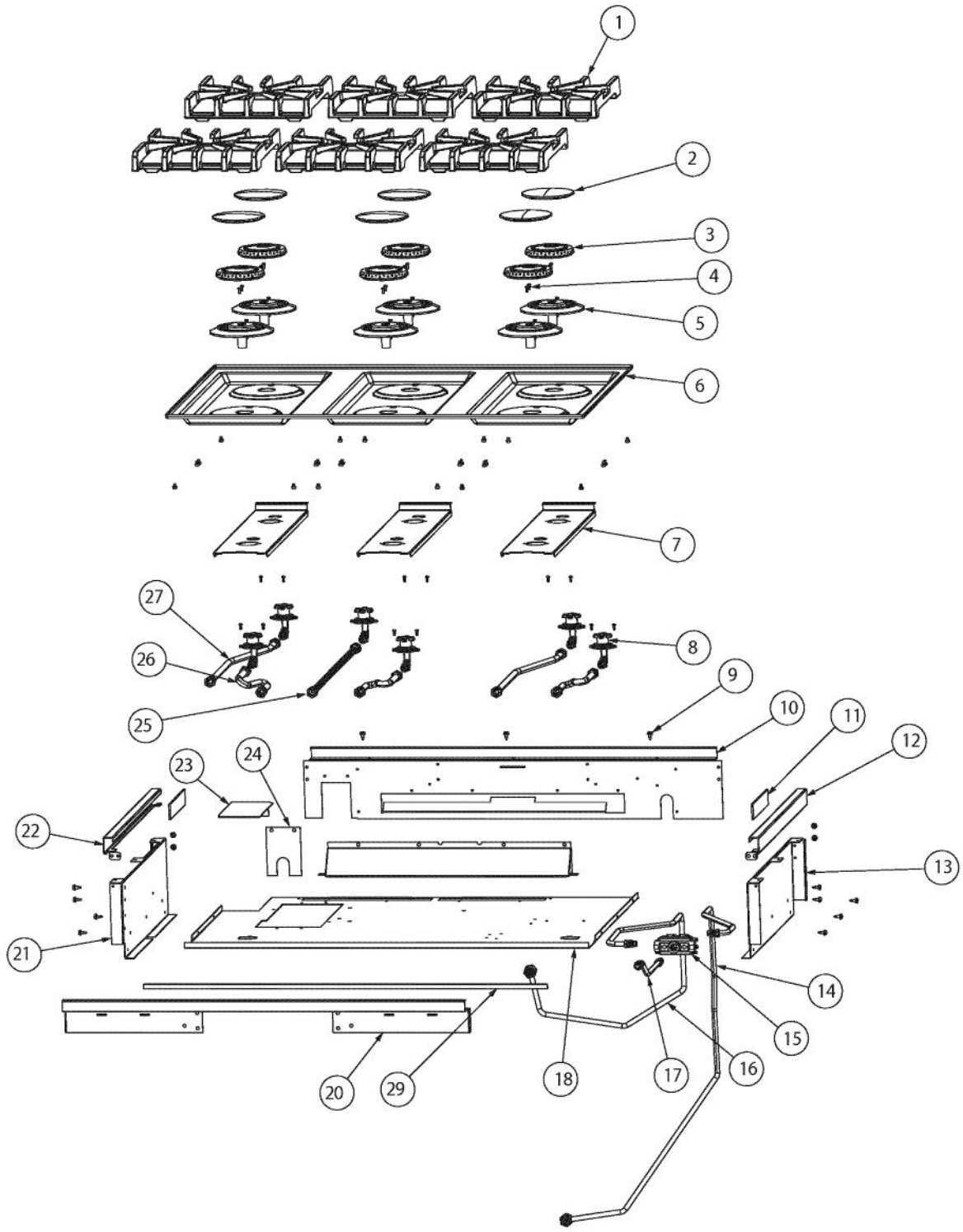


[Find Your VIKING Grill Parts - Select From 210 Models](#)

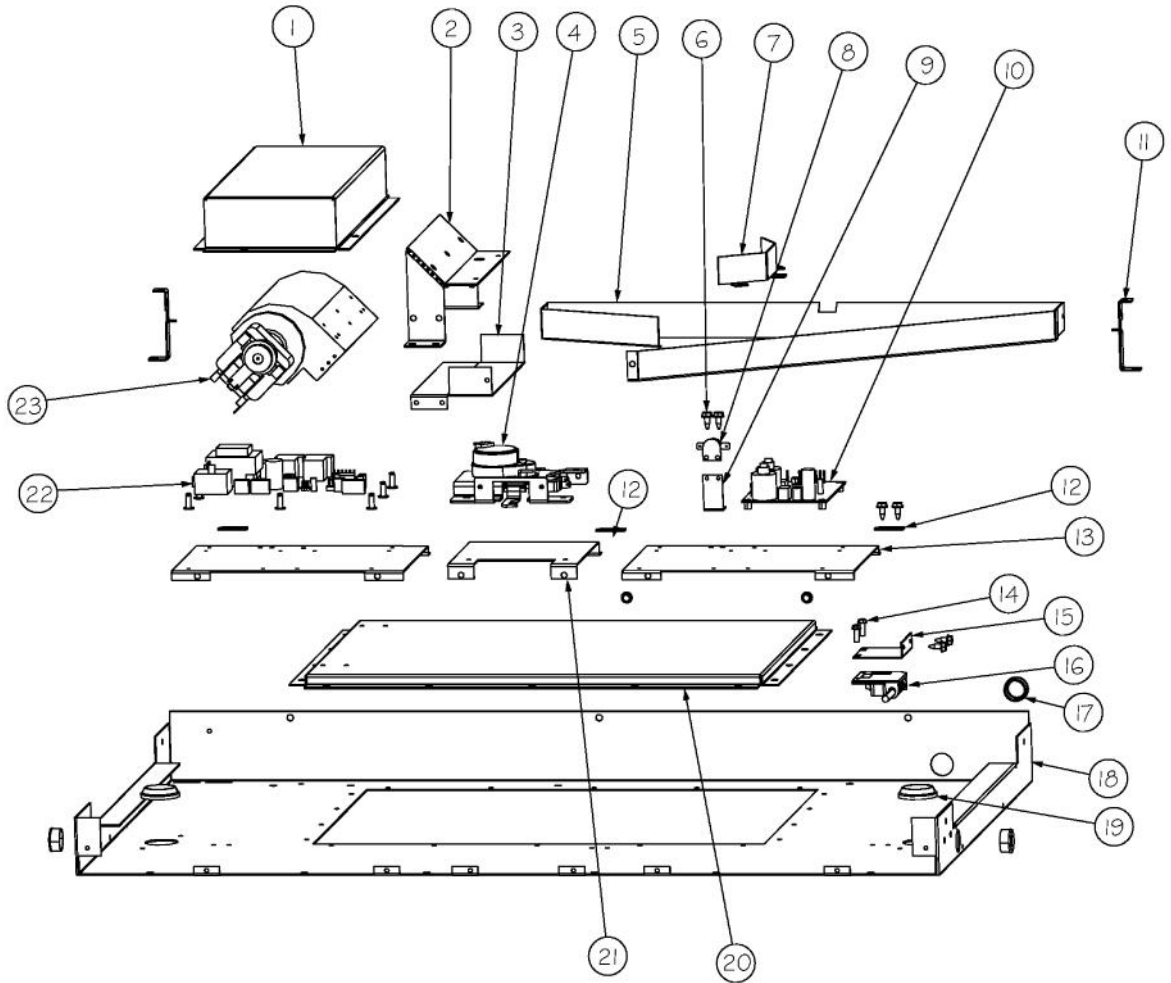
----- Manual continues below -----



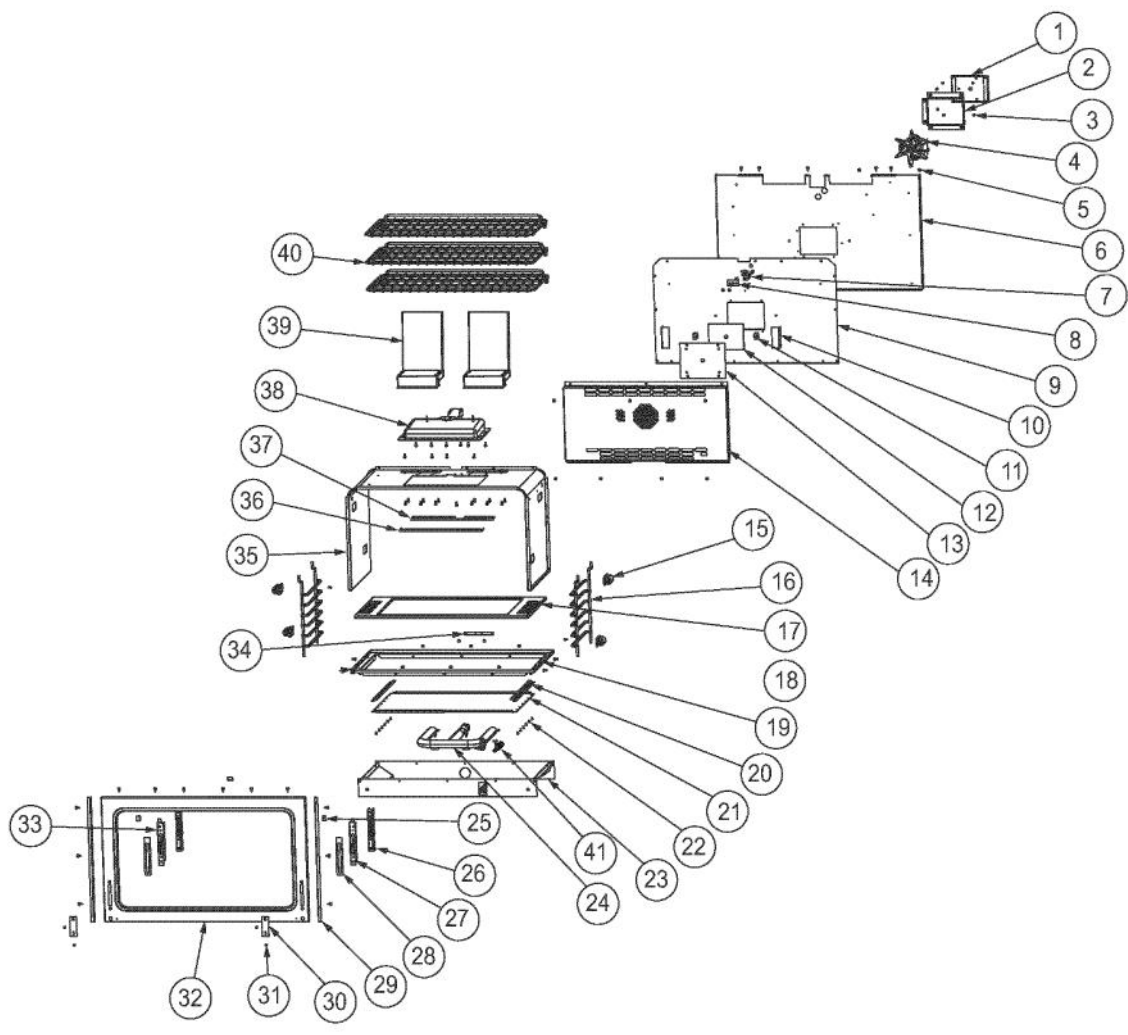
Ref #	Part Number	Qty.	Description
1	PA070001	1	PRESSURE REGULATOR (NAT.)
1	000714-000	1	LP REGULATOR
2	006015-000	6	VALVE, BRS, SEALED TOP - ISPHORDING
3	PB030007	1	SHUT OFF VALVE
4	006016-000	1	MANIFOLD ASSY
5	PA020058	6	IRIS SINGLE SPARK MODULE
6	PJ030034	2	SELECTOR (6 POS)
7	PE050024	2	OVEN IND. LIGHT (LIGHT HOUSING)
8	PE050023	2	OVEN IND. LIGHT (LENS & BEZEL)
9	PB010304	8	KNOB BEZEL
10	005269-000	6	RANGE TOP BURNER KNOB-BRUSHED, SSS BEFORE 12/20/12
10	035881-000	6	KNOB, BNR, TOP PRO CR3 AFTER (12/20/12)
11	005270-000	1	RANGE THERMOSTAT KNOB-BRUSHED, SSS BEFORE 12/20/12
11	035893-000	1	KNOB,OVN,TSTAT, PRO VDSC/VESC CR3 AFTER (12/20/12)
12	008415-000	1	KNOB, SEL, NO.3 SSS, ASM, VGSC BEFORE 12/20/12
12	035887-000	1	KNOB,OVN,SEL, PRO VGSC CR3 AFTER (12/20/12)
13	031111-2102	1	CONTROL PANEL ASM, VGSC536-6B W/GRAPHICS
14	PD040004	2	GROMMET BUMPER
15	011636-000	1	TRIM, FR
16	PD020032	3	SRW-8(A)X3/8PH.WFR HD 7/16DIAXNICL
17	003719-000	1	OVEN LIGHT SWITCH, BLACK
NI	PJ030035	1	THERMOSTAT



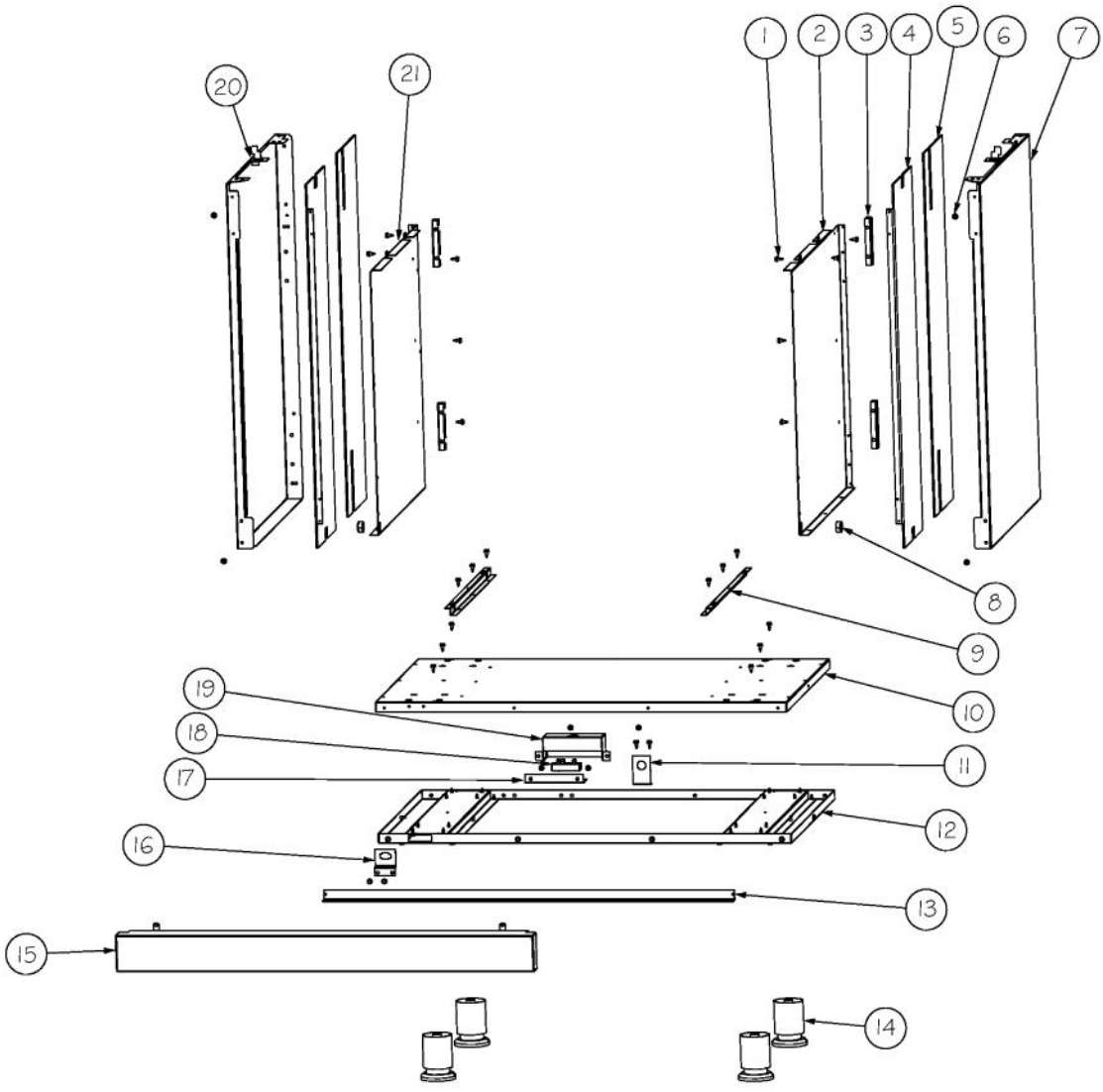
Ref #	Part Number	Qty.	Description
1	007323-000	6	BURNER GRATE
2	PA080083	6	D BURNER CAP XMATTE BLACKX
3	006706-000	6	B6 REV SEALED BURNER
4	PD020076	24	6-32 X 3/8 PHILL PAN MS
5	003322-041	6	SEALED BURNER BASE, PAINTED FINISH
NI	003606-000	2	NO.6-32 SOCKET HEAD SCREW (USED ON ITEM NO.5)
6	E9108439BK	1	MAIN TOP (VGRT3626B) XBKX
7	002923-000	3	BURNER MODULE SUPPORT
8	001394-042	6	15000 BTU NAT JETHOLDER
8	001394-046	1	12.5 K BTU LP JETHOLDER
9	003860-000	16	NO.10-18 X .500 FASTNR,SCR,HXWH,STL,ZPLT
10	008278-000	1	BURNER BOX BACK SUPPORT
11	007487-000	2	TRIM, HEAT, SINK
12	002920-000	1	SIDE TRIM, RH - STAINLESS
13	002755-000	1	BURNER BOX SIDE, RH
14	009053-000	1	BAKE TUBING, 36
14	012654-000	1	TUBING, BAKE, 36 ASSY (LP)
15	009112-000	1	VALVE, SOL, DOUBLE
16	009055-000	1	BROIL TUBING, 36
17	011035-000	1	OVEN TUBING ASM
18	004579-000	1	TOP DIVIDER, 36
19	PB070058	1	COOKTOP GASKET-(VGSU101)
20	008279-000	1	BURNER BOX FRONT SUPPORT
NI	051432-000	1	VGSC536-6B / 4Q TROUGH KIT (FOR UNITS MANUFACTURED PRIOR TO SERIAL NO. 06111...
21	003481-000	1	BURNER BOX SIDE, LH
22	003649-000	1	SIDE TRIM, LH - STAINLESS
23	004016-000	1	PLATE,SVCE,RGLT
24	006687-000	1	REGULATOR COVER PLATE
25	007726-000	1	21 FLEX TUBING W/CONNECTORS
26	PB020192	3	10 FLEX TUBING W/CONNECTORS
27	PB020193	2	16 FLEX TUBING W/CONNECTORS



Ref #	Part Number	Qty.	Description
1	008747-000	1	FAN COVER
2	012568-000	1	BRACKET, FAN
3	012569-000	1	BRACKET, LOWER FAN
4	012565-000	1	MOTORIZED DOOR LATCH
5	012567-000	1	DUCT, FAN, 36
6	003860-000	8	NO.10-18 X .500 FASTNR,SCR,HXWH,STL,ZPLT
7	009287-000	1	36 AIR DIVERTER
8	PJ030039	1	BI-METAL THERMOSTAT 275 DEGREES
9	A20014089	1	DISC BRACKET
10	PA020056	1	TYTRONICS DSI MODULE (BEFORE 12/29/10)
10	023651-000	1	DSI120 LONG PURGE (ON OR AFTER 12/29/10)
11	009288-000	2	36 FAN BRACKET
12	008012-000	3	BOARD CLIP
13	012571-000	2	PLATE, CONTROL MTG
14	PD020060	2	10 X 1/2 (5/16)HEX WSHR HD.(T)A
15	A20012649	1	DOOR SWITCH BRACKET
16	PE050208	1	DOOR SWITCH
17	PD040005	3	SNAP BUSHING - 7/8
18	024725-000	1	PANEL, TOP, OVEN, 36
19	PB070079	2	SILICONE EXTRUSION (DGSU)
20	012570-000	1	COVER, TOP CAB
21	008634-000	1	LOCKING SWITCH PLATE
22	007497-000	1	CONTROL BOARD EOC2 (ON OR AFTER 7/6/09)
NI	016915-000	1	EOC BOARD AND HARNESS KIT (BEFORE 7/6/09)
23	PE050250	1	PREMIUM BLOWER WITH HES
NI	048196-000	1	TC-0091-SP VGSC536 FAN KIT (PRODUCED BETWEEN 2/8/2013 AND 090913C10107561)

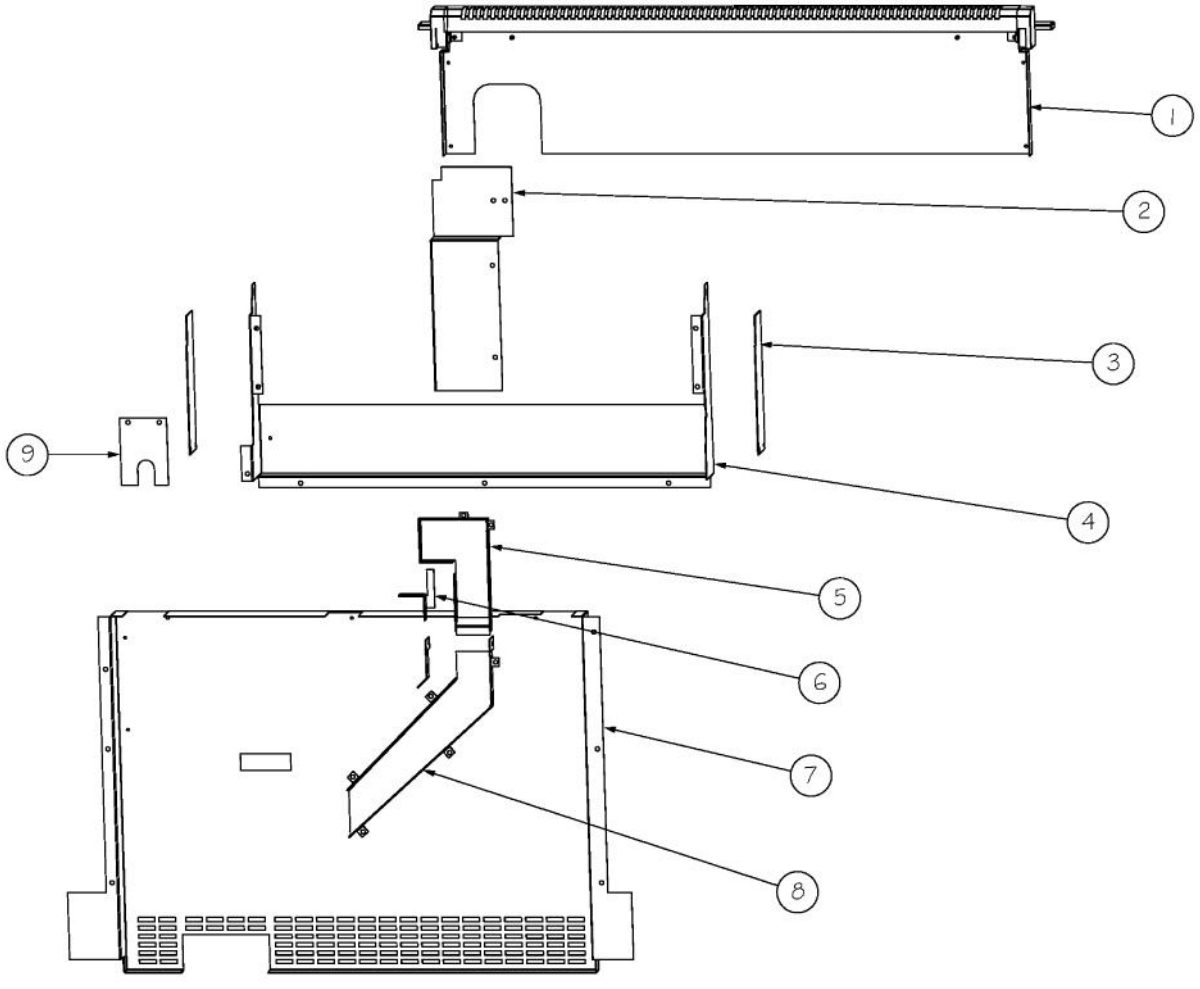


Ref #	Part Number	Qty.	Description
1	A2002595	1	CONVECTION FAN BOX (VDSC)
2	A2008467	1	INSULATION SHIELD
3	PD020060	52	10 X 1/2 (5/16)HEX WSHR HD.(T)A
4	PE050057	1	CONVECTION FAN (VGSC306) (BEFORE 8/31/11)
4	023090-000	1	MOTOR, CONV ASM? (ON OR AFTER 8/31/11)
5	003860-000	19	NO.10-18 X .500 FASTNR,SCR,HXWH,STL,ZPLT
6	007841-000	1	BACK INSULATION PANEL, 36
7	PB040171	1	BROIL IGNITION ELECTRODE
8	007008-000	1	RTD PROBE
9	005263-000	1	BACK LINER 36
10	E2004435	2	CONVECTION FAN BAFFLE (VGSC306)
11	A2001361	2	BACK SPACER (VGSC/VGSS)
12	PB070208	1	CONVECTION FAN INSULATION
13	A1002596	1	CONVECTION FAN COVER (VDSC)
14	021225-402	1	COVER, CNVN, ASM, BK PORC (UNITS WITH BLACK PRORC.)
14	021225-403	1	COVER, CNVN, ASM, GY PORC (UNITS WITH GREY PRORC.)
15	PE050238	4	120 VOLT SIDE HALOGEN LIGHT
16	PB060030	2	RACK SUPT REPL PB060010
17	E2105524	1	OVEN BOTTOM
18	PD020067	2	NO.6 X 3/8 PAN PHIL. TEK SS
19	005264-000	1	BOTTOM LINER, 36
20	E2004433	2	OVEN BOTTOM BRACE (VGSC306)
21	A2005525	1	OVEN BOTTOM HEAT SHIELD
22	PR020084	2	18 GA. A.S. (28 X 96 SHEET)
23	005259-000	1	OVEN, CAVITY, ASM, BOTTOM
24	008191-000	1	OVEN BURNER ASSY
25	006050-000	3	BRACKET, FR, FRONT
26	031679-000	1	RECEPTACLE, HINGE
27	E2109638	1	BRACKET, HINGE RECPT RH
28	007259-000	2	SHIM
29	005536-000	2	TRIM
30	007278-000	2	ARM HINGE CLIP
31	PD020232	2	NO.8 X 3/4 PH PAN HEAD TEK SCREW (BLACK OXIDE)
32	007844-000	1	FRONT FRAME, 36
33	E21012644	1	BRACKET, HINGE RECPT LH
34	A2004428	1	REAR BOTTOM BRCKT (VGSC306) (BEFORE 8/31/11)
35	E30014476	1	36 VGSC OVEN CAVITY
36	B2002261	1	FRONT I/R BROILER SUPPORT BRACKET
37	B2005589	1	REAR BROILER BRACKET
38	G3001876	1	IR BURNER ASSY (VGSC/RC) N/S
39	006192-000	2	VENT, ASM, OVEN ASSEMBLY
40	PB060045	3	OVEN RK VDSC36 REPL PB060020
41	PB040170	1	BAKE IGNITION ELECTRODE

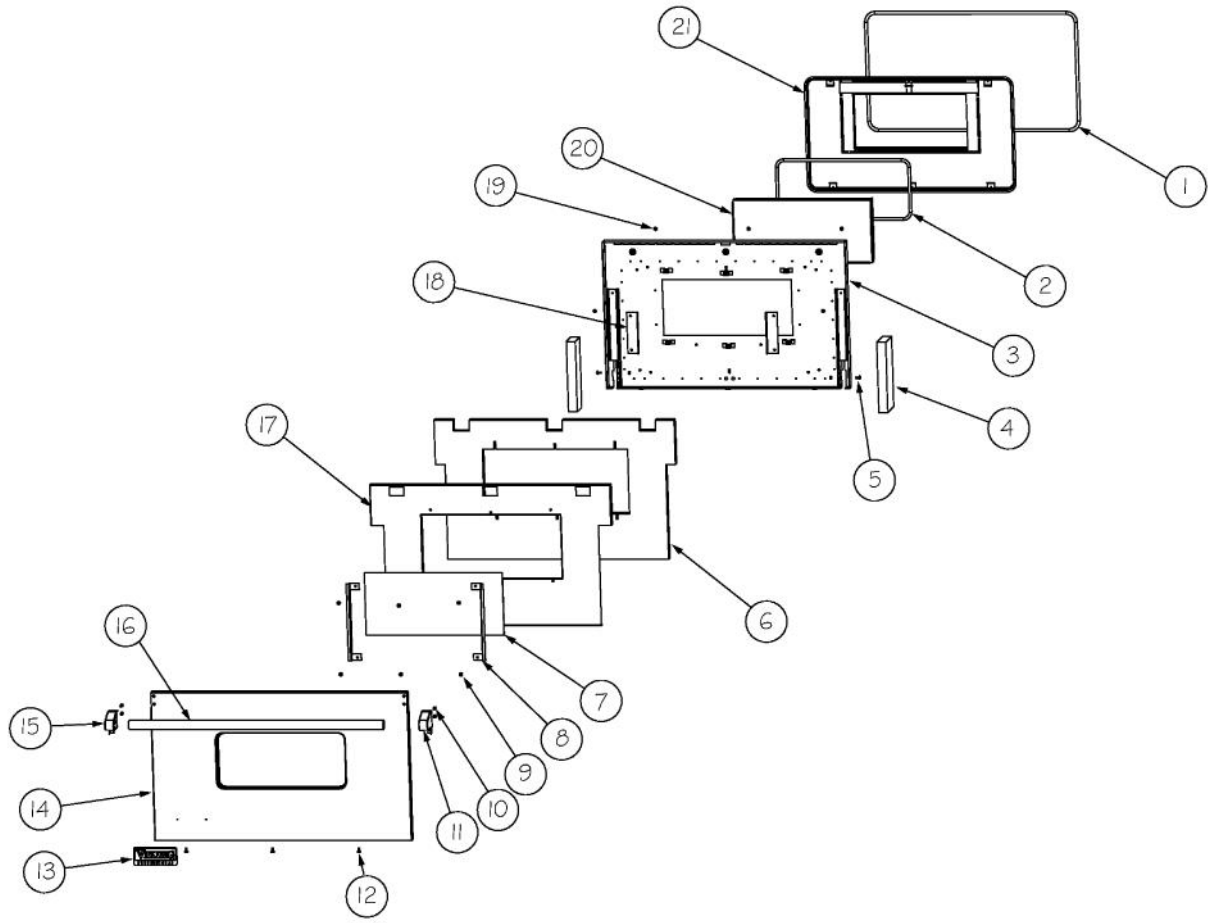


Ref #	Part Number	Qty.	Description
1	003860-000	29	NO.10-18 X .500 FASTNR,SCR,HXWH,STL,ZPLT
2	004479-000	1	INSULATION, PNL, SIDE, RH
3	009404-000	4	STANDOFF
4	002238-000	2	HEAT SINK-SIDE PANEL
5	007488-000	2	SINK, REAR, SIDE
6	003801-000	4	SHOULDER SCREW, NO.10
7	002905-000	1	SIDE PANEL, RH, SST
7	004645-002	1	SIDE PANEL, RH,-BK
7	004645-003	1	SIDE PANEL, RH,-BT
7	004645-004	1	SIDE PANEL, RH,-SG
7	004645-005	1	SIDE PANEL, RH,-GG
7	004645-006	1	SIDE PANEL, RH,-WH
7	004645-008	1	SIDE PANEL, RH,-BU
7	004645-009	1	SIDE PANEL, RH,-LE
7	004645-010	1	SIDE PANEL, RH,-MJ
7	004645-012	1	SIDE PANEL, RH,-VB
7	004645-013	1	SIDE PANEL, RH,-CB
7	004645-015	1	SIDE PANEL, RH,-PL
7	004645-016	1	SIDE PANEL, RH,-CH
7	004645-017	1	SIDE PANEL, RH,-TP
7	004645-018	1	SIDE PANEL, RH,-CW
7	004645-019	1	SIDE PANEL, RH,-OG
7	004645-020	1	SIDE PANEL, RH,-GM
7	004645-021	1	SIDE PANEL, RH,-SA
7	004645-022	1	SIDE PANEL, RH,-SE
7	004645-023	1	SIDE PANEL, RH,-IB
7	004645-024	1	SIDE PANEL, RH,-AR
7	004645-025	1	SIDE PANEL RH - RR
7	004645-026	1	SIDE PANEL, RH,-PM
7	004645-027	1	SIDE PANEL, RH,-MS
8	PD040005	2	SNAP BUSHING - 7/8
9	A2004429	2	OVEN BOTTOM INSUL. BRACE (VGSC306)
10	020604-000	1	BASE, RANGE
11	005529-000	1	BAKE ORIFICE MTG BRKT (BEFORE 2/11/13)
11	040736-000	1	BRKT, ORF (ON OR AFTER 2/11/13)
12	007817-000	1	VGCC/SC BASE ASSEMBLY, 36
13	008345-000	1	BOTTOM SUPPORT, 36
14	PC030031	4	ADJUSTABLE LEG
15	007851-000	1	VGCC/SC 536 KICKPLATE SS
15	011522-002	1	VGCC/SC 536 KICKPLATE - BK
15	011522-003	1	VGCC/SC 536 KICKPLATE - BT
15	011522-004	1	VGCC/SC 536 KICKPLATE - SG
15	011522-005	1	VGCC/SC 536 KICKPLATE - GG
15	011522-006	1	VGCC/SC 536 KICKPLATE - WH
15	011522-008	1	VGCC/SC 536 KICKPLATE - BU
15	011522-009	1	VGCC/SC 536 KICKPLATE - LE
15	011522-010	1	VGCC/SC 536 KICKPLATE -MJ
15	011522-012	1	VGCC/SC 536 KICKPLATE - VB
15	011522-013	1	VGCC/SC 536 KICKPLATE - CB
15	011522-015	1	VGCC/SC 536 KICKPLATE - PL
15	011522-016	1	VGCC/SC 536 KICKPLATE - CH
15	011522-017	1	VGCC/SC 536 KICKPLATE - TP
15	011522-018	1	VGCC/SC 536 KICKPLATE - CW
15	011522-019	1	VGCC/SC 536 KICKPLATE - OG
15	011522-020	1	VGCC/SC 536 KICKPLATE - GM
15	011522-021	1	VGCC/SC 536 KICKPLATE - SA
15	011522-022	1	VGCC/SC 536 KICKPLATE - SE
15	011522-023	1	VGCC/SC 536 KICKPLATE - IB

Ref #	Part Number	Qty.	Description
15	011522-023	1	VGCC/SC 536 KICKPLATE - IB
15	011522-024	1	VGCC/SC 536 KICKPLATE - AR
15	011522-025	1	VGCC/SC 536 KICKPLATE - RR
15	011522-026	1	VGCC/SC 536 KICKPLATE - PM
15	011522-027	1	VGCC/SC 536 KICKPLATE - MS
15	011522-051	1	VGCC/SC 536 KICKPLATE-CN
15	011522-052	1	VGCC/SC 536 KICKPLATE-DJ
15	011522-053	1	VGCC/SC 536 KICKPLATE-KB
15	011522-054	1	VGCC/SC 536 KICKPLATE-WS
16	005280-000	1	DISCONNECT BRKT
17	007484-000	1	TERMINAL, BLOCK, BRACKET
18	007400-000	1	BLOCK, TERMINAL
19	031961-000	1	COVER, TERM. BLOCK
20	003588-000	1	SIDE PANEL, LH
21	004482-000	1	INSULATION, PNL, SIDE, LH
21	005505-002	1	SIDE PANEL, LH BK
21	005505-003	1	INSULATION, PNL, SIDE, LH - BT
21	005505-004	1	INSULATION, PNL, SIDE, LH - SG
21	005505-005	1	INSULATION, PNL, SIDE, LH - GG
21	005505-006	1	INSULATION, PNL, SIDE, LH - WH
21	005505-008	1	INSULATION, PNL, SIDE, LH - BU
21	005505-009	1	INSULATION, PNL, SIDE, LH - LE
21	005505-010	1	INSULATION, PNL, SIDE, LH - MJ
21	005505-012	1	INSULATION, PNL, SIDE, LH - VB
21	005505-013	1	INSULATION, PNL, SIDE, LH - CB
21	005505-015	1	INSULATION, PNL, SIDE, LH - PL
21	005505-016	1	INSULATION, PNL, SIDE, LH - CH
21	005505-017	1	INSULATION, PNL, SIDE, LH - TP
21	005505-018	1	INSULATION, PNL, SIDE, LH - CW
21	005505-019	1	INSULATION, PNL, SIDE, LH - OG
21	005505-020	1	INSULATION, PNL, SIDE, LH - GM
21	005505-021	1	INSULATION, PNL, SIDE, LH - SA
21	005505-022	1	INSULATION, PNL, SIDE, LH - SE
21	005505-023	1	INSULATION, PNL, SIDE, LH - IB
21	005505-024	1	INSULATION, PNL, SIDE, LH - AR
21	005505-025	1	SIDE PANEL LH - RR
21	005505-026	1	INSULATION, PNL, SIDE, LH - PM
21	005505-027	1	INSULATION, PNL, SIDE, LH - MS



Ref #	Part Number	Qty.	Description
1	006900-000	1	ISLAND TRIM, ASM, 36 CUSTOM
2	006962-000	1	COVER, INL, BACK
3	007486-000	2	PLATE, INSL
4	024722-000	1	COVER, BACK, TOP,36
5	009548-000	1	DUCT, CONV FAN
6	009549-000	1	DUCT, CONV FAN SIDE
7	032131-000	1	PANEL, BACK 36
8	009550-000	1	DUCT, CONV FAN LOWER
9	006687-000	1	REGULATOR COVER PLATE



Ref #	Part Number	Qty.	Description
1	000090-000	1	36 DOOR GASKET
2	000594-000	1	BLACK FIBERGLASS ROPE 3/8
3	008154-000	1	36 DOOR LINER WELD ASM
4	006999-000	2	HINGE, DOOR, VDSC36 - ORANGE SPRING
5	PD010003	2	10-24 X 1/2 PH.TR.HD.SERD.M.S.
6	007854-000	1	DOOR LINER INSULATION
7	PE060039	1	GLASS-HEAT TREATED (HB2) VDSC
8	007583-000	1	BRACKET, GLASS
9	PD020014	6	10X3/4 PH TR HD SMS
10	002736-000	4	NO.10-32 PAN HEAD PHILLIPS MACHINE SCREW
11	003012-000	1	DOOR HANDLE ENDCAP ASSY, RH (CHROME)
11	003011-000	1	DOOR HANDLE ENDCAP ASSY, LH (CHROME)
12	PD020033	3	SRW-NO.10-24X1/2T(23)PH.WFR HD (NKL)
13	PE010030	1	LOGO, 6, PRO, BK
13	PE010068	1	LOGO, 6, PRO, BK/BR
14	008166-000	1	PANEL, DOOR, ASM, OTR, GSC, SS
14	020693-002	1	SRV DOOR SKIN KIT, 36 BK, VGSC, VGCC
14	020693-003	1	SRV DOOR SKIN KIT, 36 BT, VGSC, VGCC
14	020693-004	1	SRV DOOR SKIN KIT, 36 SG, VGSC, VGCC
14	020693-005	1	SRV DOOR SKIN KIT, 36 GG, VGSC, VGCC
14	020693-006	1	SRV DOOR SKIN KIT, 36 WH, VGSC, VGCC
14	020693-008	1	SRV DOOR SKIN KIT, 36 BU, VGSC, VGCC
14	020693-009	1	SRV DOOR SKIN KIT, 36 LE, VGSC, VGCC
14	020693-010	1	SRV DOOR SKIN KIT, 36 MJ, VGSC, VGCC
14	020693-012	1	SRV DOOR SKIN KIT, 36 VB, VGSC, VGCC
14	020693-013	1	SRV DOOR SKIN KIT, 36 CB, VGSC, VGCC
14	020693-015	1	SRV DOOR SKIN KIT, 36 PL, VGSC, VGCC
14	020693-016	1	SRV DOOR SKIN KIT, 36 CH, VGSC, VGCC
14	020693-017	1	SRV DOOR SKIN KIT, 36 TP, VGSC, VGCC
14	020693-018	1	SRV DOOR SKIN KIT, 36 CW, VGSC, VGCC
14	020693-019	1	SRV DOOR SKIN KIT, 36 OG, VGSC, VGCC
14	020693-020	1	SRV DOOR SKIN KIT, 36 GM, VGSC, VGCC
14	020693-021	1	SRV DOOR SKIN KIT, 36 SA, VGSC, VGCC
14	020693-022	1	SRV DOOR SKIN KIT, 36 SE, VGSC, VGCC
14	020693-023	1	SRV DOOR SKIN KIT, 36 IB, VGSC, VGCC
14	020693-024	1	SRV DOOR SKIN KIT, 36 AR, VGSC, VGCC
14	020693-025	1	SRV DOOR SKIN KIT, 36 RR, VGSC, VGCC
14	020693-026	1	SRV DOOR SKIN KIT, 36 PM, VGSC, VGCC
14	020693-027	1	SRV DOOR SKIN KIT, 36 MS, VGSC, VGCC
14	020693-051	1	SRV DOOR SKIN KIT, 36 CN, VGSC, VGCC
14	020693-052	1	SRV DOOR SKIN KIT, 36 DJ, VGSC, VGCC
14	020693-053	1	SRV DOOR SKIN KIT, 36 KB, VGSC, VGCC
14	020693-054	1	SRV DOOR SKIN KIT, 36 WS, VGSC, VGCC
15	003011-000	1	DOOR HANDLE ENDCAP ASSY, LH (CHROME)
16	006080-000	1	36 DOOR HANDLE, SST
17	007883-000	1	RETAINER LINER, 36
18	A2002189	2	DOOR GLASS STANDOFF (VDSC)
19	PD020063	4	SCREW-NO.8(A) X 3/8PH WFR HD/BK OXID
20	PE060064	1	WINDOW PACK, SELF CLEANING OVEN 30
21	008185-000	1	36 DOOR PLUG ASM
NI	011525-002	1	COMPLETE DOOR ASM - BK
NI	011525-003	1	COMPLETE DOOR ASM - BT
NI	011525-004	1	COMPLETE DOOR ASM - SG
NI	011525-005	1	COMPLETE DOOR ASM - GG
NI	011525-006	1	DOOR, PAINTED, ASM, VGSC536 (WH)
NI	011525-008	1	COMPLETE DOOR ASM - BU
NI	011525-009	1	COMPLETE DOOR ASM - LE
NI	011525-010	1	COMPLETE DOOR ASM - MJ
NI	011525-012	1	COMPLETE DOOR ASM - VB
NI	011525-013	1	COMPLETE DOOR ASM - CB

Ref #	Part Number	Qty.	Description
NI	011525-013	1	COMPLETE DOOR ASM - CB
NI	011525-015	1	COMPLETE DOOR ASM - PL
NI	011525-016	1	COMPLETE DOOR ASM - CH
NI	011525-017	1	COMPLETE DOOR ASM - TP
NI	011525-018	1	COMPLETE DOOR ASM - CW
NI	011525-019	1	COMPLETE DOOR ASM - OG
NI	011525-020	1	COMPLETE DOOR ASM - GM
NI	011525-021	1	COMPLETE DOOR ASM - SA
NI	011525-022	1	COMPLETE DOOR ASM - SE
NI	011525-023	1	COMPLETE DOOR ASM - IB
NI	011525-024	1	COMPLETE DOOR ASM - AR
NI	011525-025	1	DOOR, PANEL, PAINTED, VGSC536 (RR)
NI	011525-026	1	COMPLETE DOOR ASM - PM
NI	011525-027	1	COMPLETE DOOR ASM - MS
NI	024604-000	1	INSULATION ANGLE

*No Image
Available*

Ref #	Part Number	Qty.	Description
NI	PE070036	1	TIE WRAP
NI	024699-000	1	RTD JUMPER HARNESS
NI	001134-000	1	IRIS HARNESS INSULATED CAP
NI	000647-000	3	IRIS IGNITOR WIRE, FRONT BURNER
NI	006766-000	3	IRIS IGNITOR WIRE, BACK BURNER
NI	014401-000	1	WIRE HARNESS, VGSC536-6B (BEFORE 12/29/10)
NI	026058-000	1	HARNESS, WIRE, VGSC536-6B (ON OR AFTER 12/29/10)
NI	G4008493	1	SUPPLY CORD ASSY- VGSU
NI	004133-000	1	CONTROL PANEL HARNESS
NI	PE070796	1	6 POSITION 27 L.O.
NI	G4000936	1	GROUND WIRE
NI	PE070891	1	IRIS HARNESS - 48 (BEFORE 12/29/10)
NI	023325-000	1	IRIS HARNESS, 48 (ON OR AFTER 12/29/10)
NI	007298-000	1	BAKE IGNITOR WIRE, ASM (BEFORE 12/29/10)
NI	024606-000	1	WIRE, BAKE, ELECTRODE, ASM (ON OR AFTER 12/29/10)
NI	006765-000	1	BROIL IGNITOR WIRE ASM (BEFORE 12/29/10)
NI	024605-000	1	WIRE, BRL, ELECTRODE, ASM (ON OR AFTER 12/29/10)
NI	033295-000	1	VGSC536 POWER DISCONNECT KIT (060710C00022888 THRU 062711C00026156)