

This Owner's Manual is provided and hosted by [Appliance Factory Parts](#).



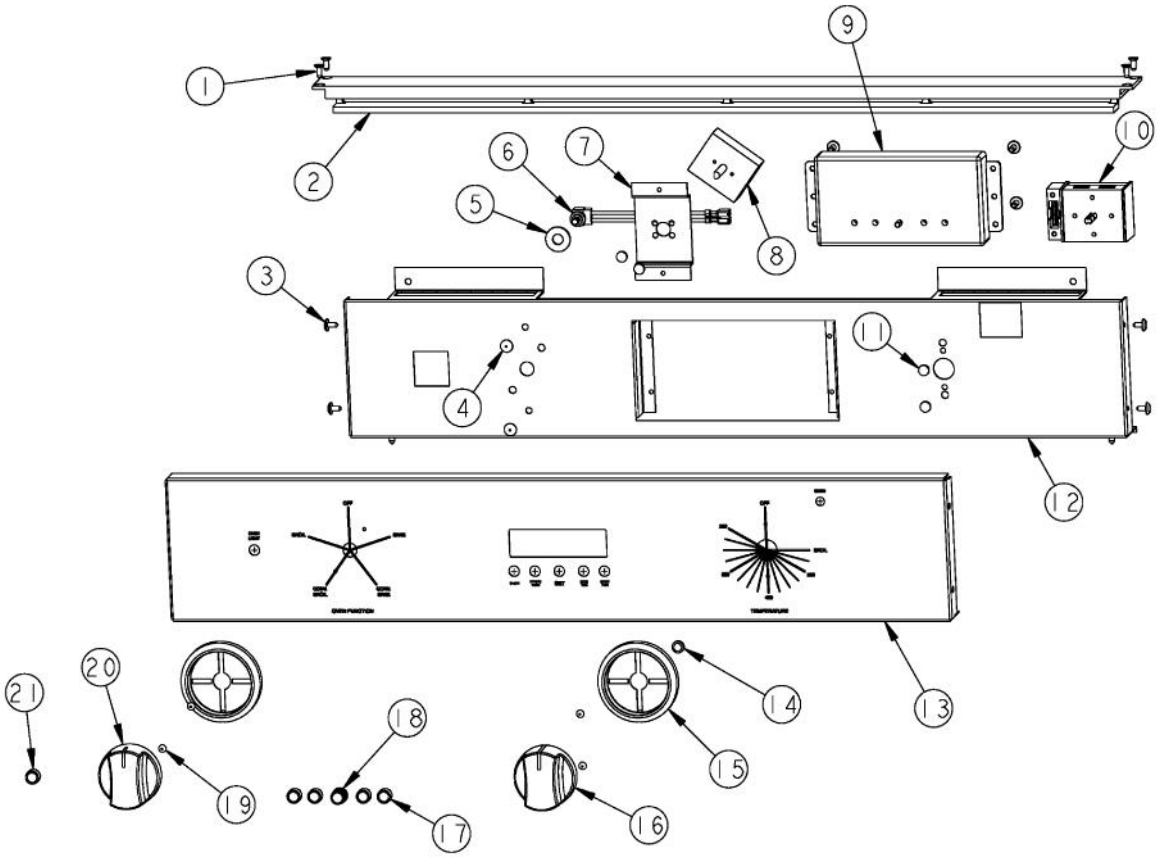
VIKING VGSO100 Owner's Manual

[Shop genuine replacement parts for VIKING VGSO100](#)

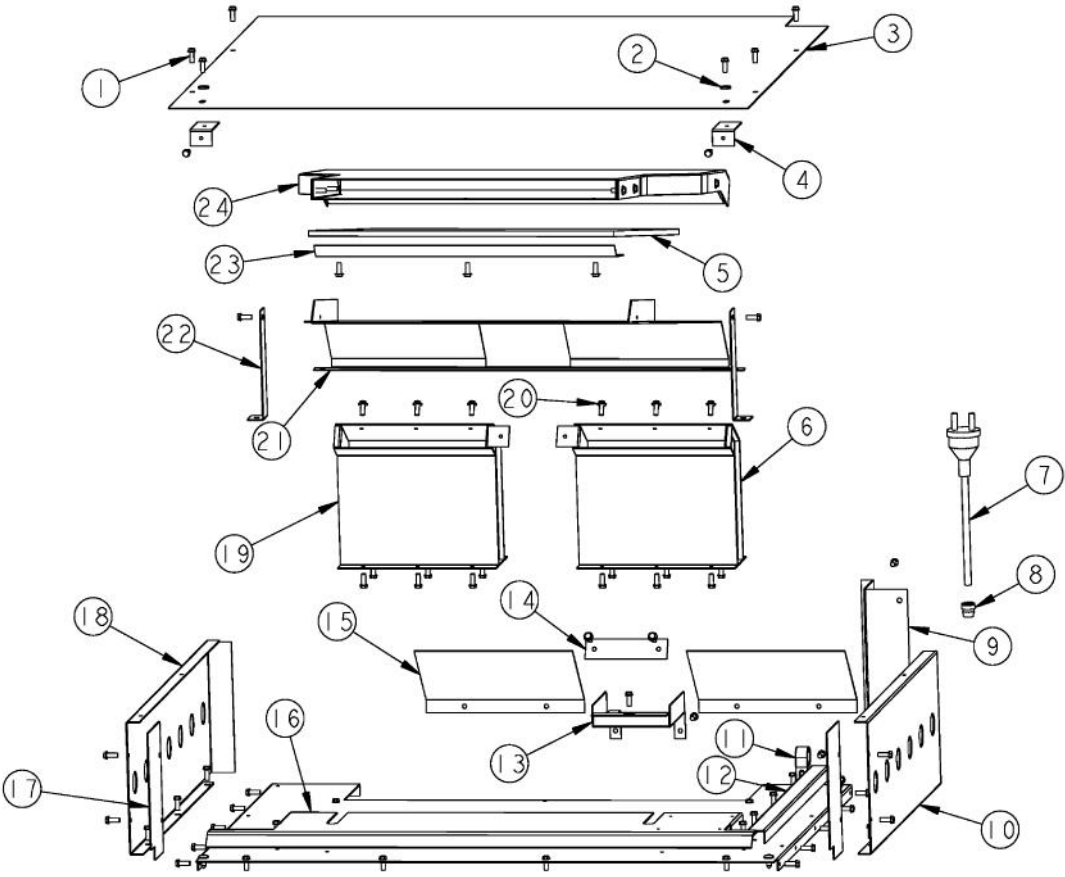


[Find Your VIKING Oven Parts - Select From 98 Models](#)

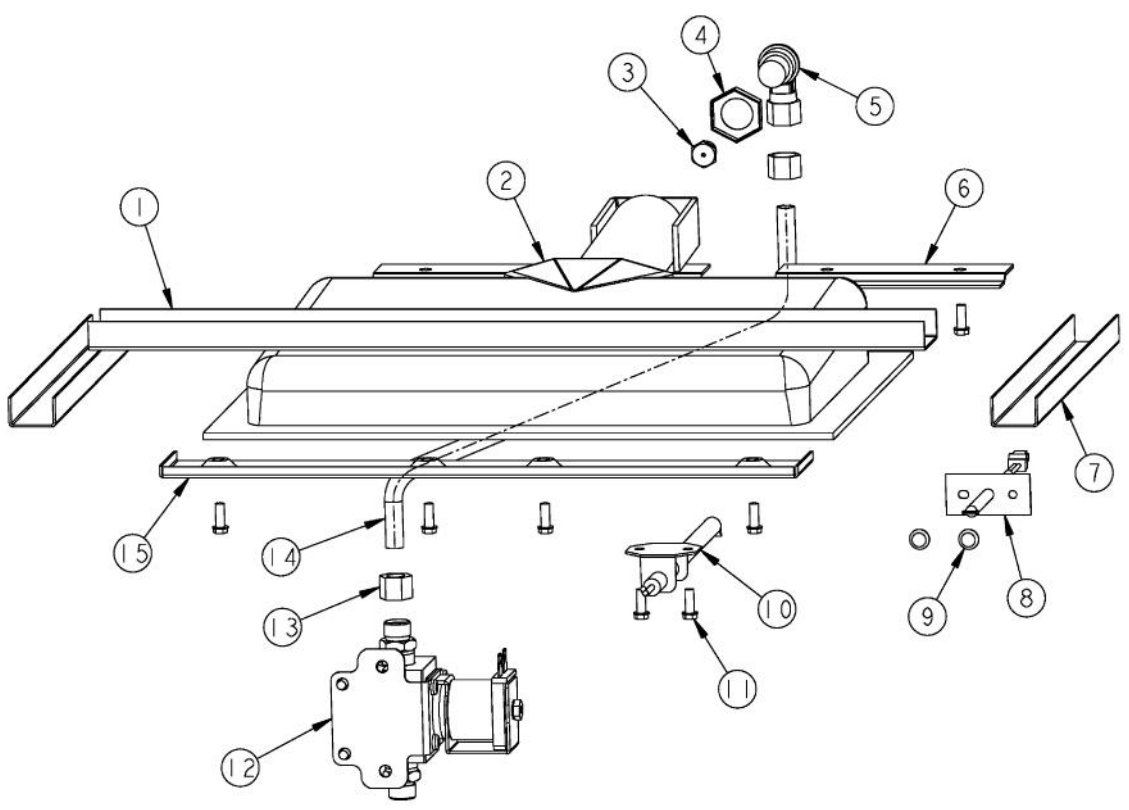
----- Manual continues below -----



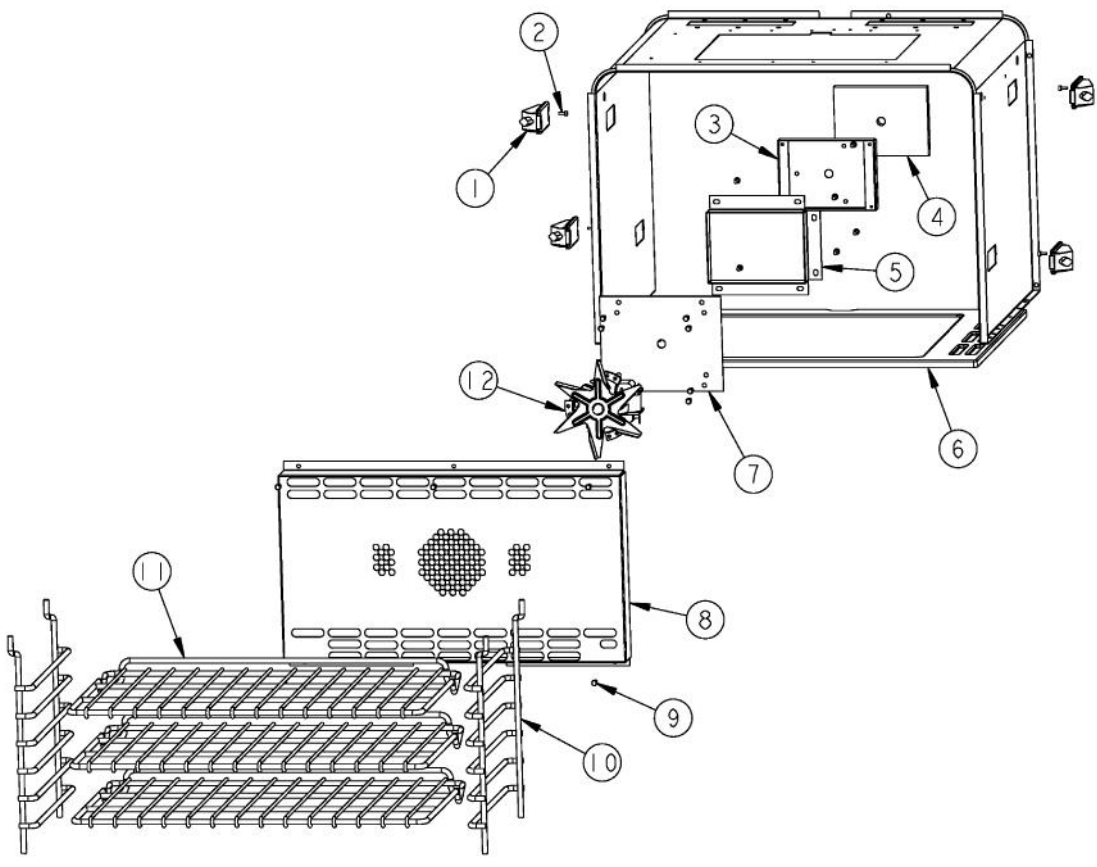
Ref #	Part Number	Qty.	Description
1	M0235318		SCREW, 8 X 7/16 UFLP
2	PE040303		VGSO100 TOP TRIM
3	PD020032		SRW-8(A)X3/8PH.WFR HD 7/16DIAXNICL
4	PD020002		10 X 1/2 PH.TR.HD.SMS.
5	PD040160		3/8 STEEL WASHER
6	G40015469		LIGHT SWITCH ASSEMBLY
7	A20010407		SELECTOR MOUNTING BRACKET
8	PJ030004		SELECTOR SWITCH (5-POSITION) VGSO
9	PE050213		PRO 120V DIGITAL CLOCK
10	000691-000		ELECTRONIC TSTAT. 2 POS. STANDARD
11	PD020044		NO.8-32 X 1/4 PH. TR. HD. M.S.
12	010757-000		PANEL, CTRL, INR
13	B92014426		CONTROL PANEL VGSO100
13	C92014426BK		CONTROL PANEL - BK
13	C92014426WH		CONTROL PANEL - WH
14	PE050023		OVEN IND. LIGHT (LENS & BEZEL)
15	PB010304		KNOB BEZEL
15	PB010304PVD		RESTYLE KNOB BEZEL, BR
16	PB010305		PROF. SELECTOR/THERMOSTAT KNOB
16	PB010309		PROF. SELECTOR/THERMOSTAT KNOB XWHX
16	036487-000		KNOB, TSTAT, ASM, VGSO100
17	PB010306		PROF. CLOCK BUTTON
17	PB010310		PROF. CLOCK BUTTON XWHX
18	PB010307		PROF. CLOCK KNOB
18	PB010311		PROF. CLOCK KNOB XWHX
19	PD020006		NO.6-32 X 1/4 PH.PAN HD. T(F)
20	PB010329		VGSO100 KNOB
20	PB010330		VGSO100 OVEN KNOB WHITE
21	PB010308		PROF. OVEN LIGHT BUTTON
21	PB010312		PROF. OVEN LIGHT BUTTON XWHX
NI	PJ030043	1	BI-METAL THERMOSTAT (N.C.) 180 DEGREES



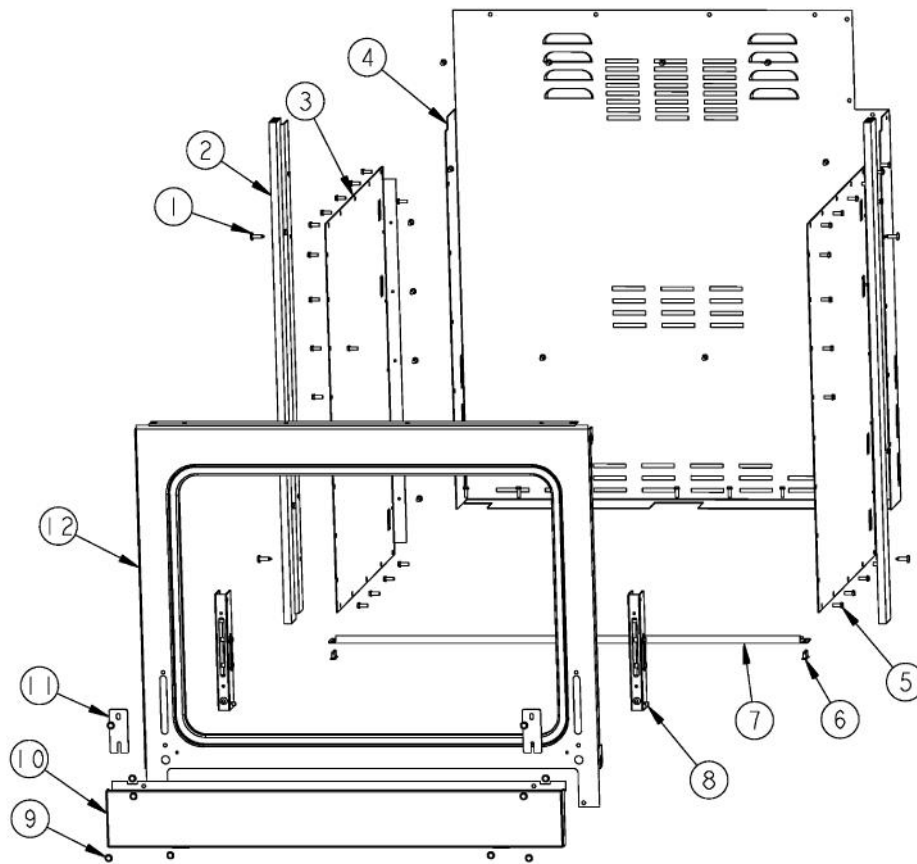
Ref #	Part Number	Qty.	Description
1	PD020060		10 X 1/2 (5/16)HEX WSHER HD.(T)A
2	PD040050		6MM FAN WASHER
3	A20010442		CABINET TOP
4	A20015436		CONTROL PANEL BRACKET
5	PB070379		TOP FLUE INSULATION PAD
6	G30015438		FLUE ASSY
7	G4008493		SUPPLY CORD ASSY- VGSU
8	PE070069		STRAIGHT-THRU BUSHING
9	A20015459		BACK CORNER INSERT
10	A20010418		CABINET SIDE RIGHT
11	PD030109		INSULATED CLAMP
12	A20015471		WIRE CHANNEL
13	A20015442		BROIL BURNER, INSUL. RET.
14	A10015447		FLUE BRIDGE
15	A20015443		FLUE INSUL. RETAINER
16	L20015440		HEAT SHIELD
17	010780-000		PNL, CTRL, INR, MT, RH
NI	010781-000		PNL, CTRL, INR, MT, LH
18	A20010419		CABINET SIDE LEFT
19	G30015446		FLUE ASSEMBLY (LEFT)
20	PD020048		NO.10 X 1/2 TEK 410 SS SCREW
21	A20010416		FLUE SHIELD
22	A20010426		FLUE STANDOFF
23	B20015441		AIR FLUE EXTENSION
24	G30015453		VGSO100, TOP FLUE WELD ASSY
NI	PJ030014	1	HEAT SENSOR (N.O.) 160 DEG.



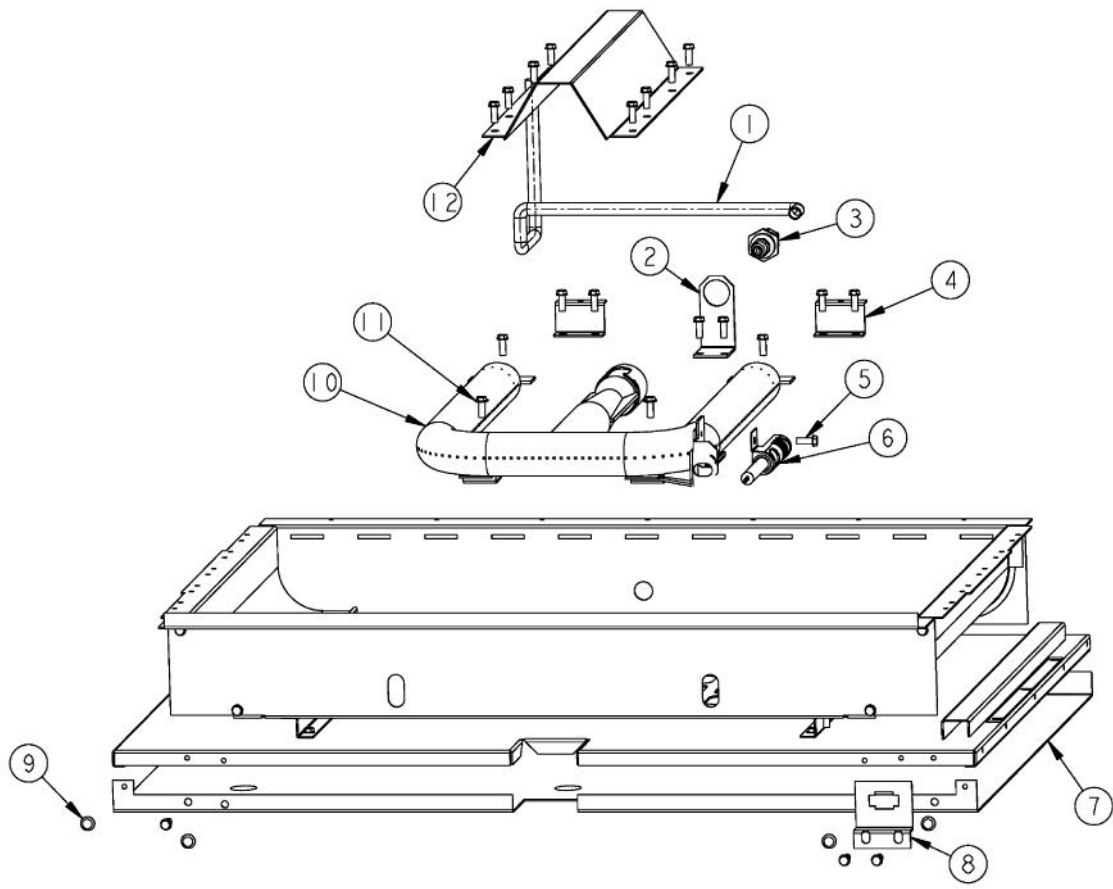
Ref #	Part Number	Qty.	Description
1	E2004409		TOP FRONT BRACE
2	G3001876		IR BURNER ASSY (VGSC/RC) N/S
3	PB040026		IR BURNER ORIFICE - NO.48 NAT.
3	PB040027		IR BUR.SPUD ORF. - NO.56 LP
4	PD030018		PALNUT - 3/4-16
5	PB040178		90 DEGREE ORIFICE FITTING (VGSC306)
6	B2005589		REAR BROILER BRACKET
7	E2004410		TOP SIDE BRACE
8	PE050206		RTD THERMOSTAT PROBE
9	PD020032		SRW-8(A)X3/8PH.WFR HD 7/16DIAXNICL
10	PB040171		BROIL IGNITION ELECTRODE
11	PD020060		10 X 1/2 (5/16)HEX WSHR HD.(T)A
12	009112-000		VALVE, SOL, DOUBLE
13	PB040192		3/8`` CC FERREL (DGCU)
14	PB020126		3/8`` S.S. FLEX TUBING 15`` (DGCU)
15	B2001448		IR BROIL SUPT (FRONT)
NI	039137-000	2	TUBING, INSUL, GAS IGNITOR



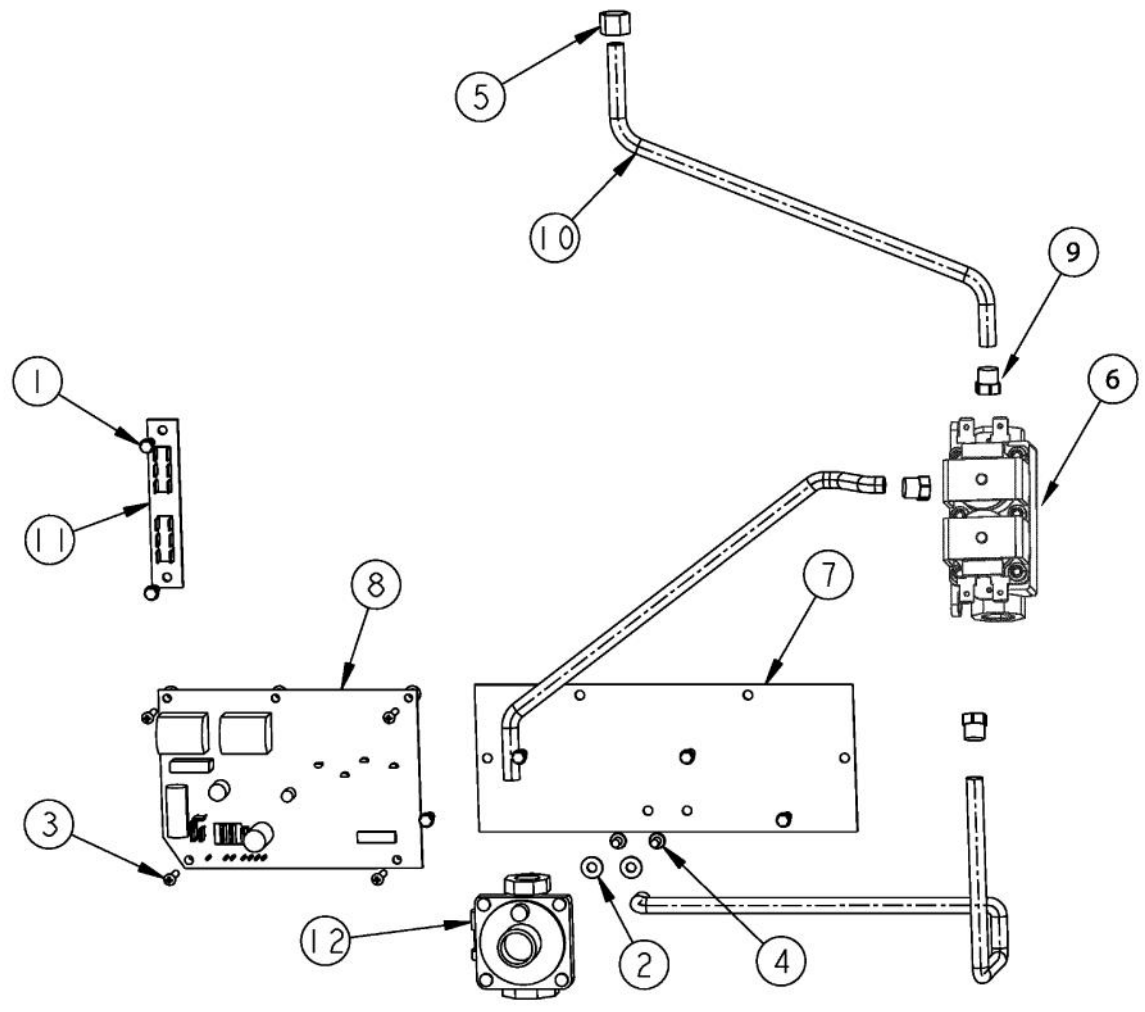
Ref #	Part Number	Qty.	Description
1	PE050148		OVEN LIGHT ASSY. W/32 CABLE
2	PD020067		NO.6 X 3/8 PAN PHIL. TEK SS
3	A2002595		CONVECTION FAN BOX (VDSC)
4	PB070208		CONVECTION FAN INSULATION
5	A2008467		INSULATION SHIELD
NI	003187-000		FLATPAK FAN MOTOR
6	G9104438	1	OVEN BOTTOM PAN ASSY (VGSC306) (BEFORE 1/2/13)
6	G9104438BK	1	OVEN, BOTTOM, ASM,PORCELAIN, BK (ON OR AFTER 1/2/13)
NI	A2004439	1	OVEN BOTTOM SHIELD (VGSC306) (USED ON G9104438 AND G9104438BK)
7	A1002596		CONVECTION FAN COVER (VDSC)
8	G91014419	1	CONVECTION FAN COVER ASSY (BEFORE 1/2/13)
8	G91014419BK	1	CONVECTION FAN COVER ASSY, BK (ON OR AFTER 1/2/13)
9	PD020060		10 X 1/2 (5/16)HEX WSHR HD.(T)A
10	PB060030		RACK SUPT REPL PB060010 (BEFORE 1/2/13)
10	030191-000		GUIDE, RACK (ON OR AFTER 1/2/13)
11	PB060044		OVEN RK VDSC30/48RH REPL PB060019
12	PE050057		CONVECTION FAN (VGSC306)



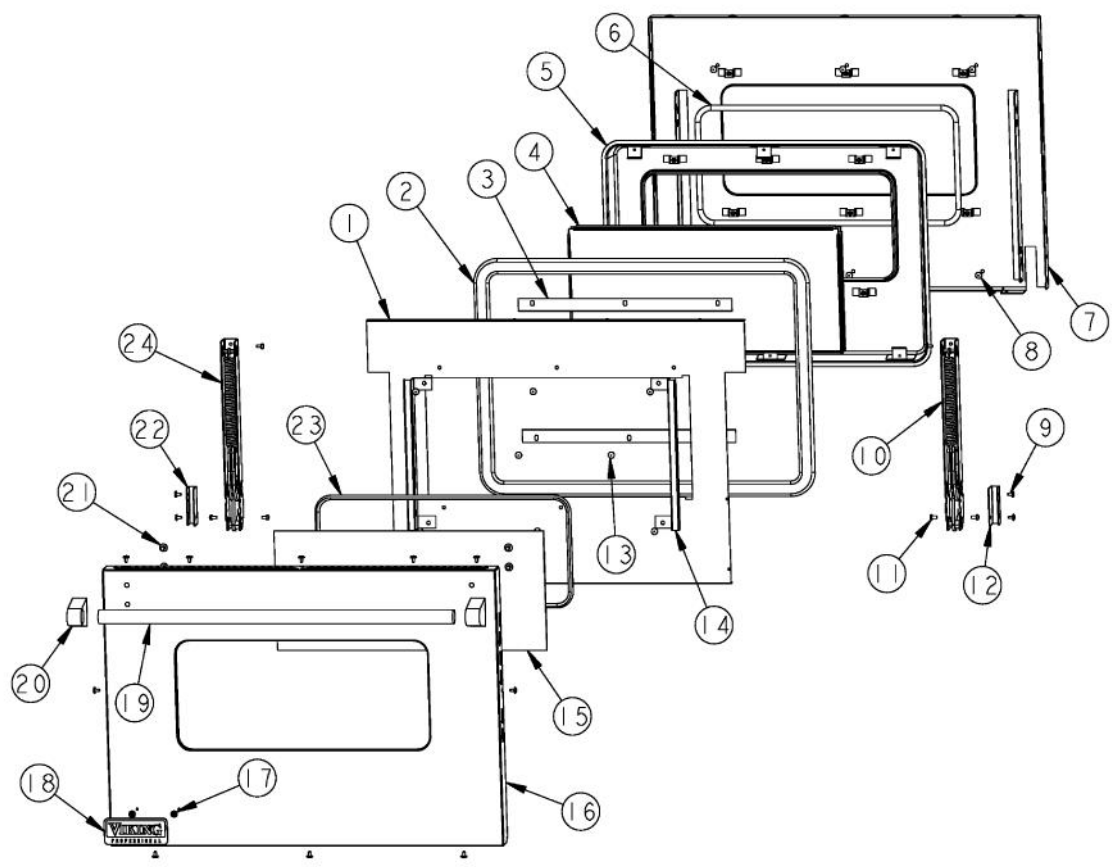
Ref #	Part Number	Qty.	Description
1	PD020014		10X3/4 PH TR HD SMS
2	PE040228		VGSO100 SIDE TRIM
3	A20010409		SIDE INSULATION RETAINER
4	A20010428		CABINET BACK
5	PD020060		10 X 1/2 (5/16)HEX WSHR HD.(T)A
6	M0215318		SCREW-SM
7	PE040320		BOTTOM EXTRUSION - VGSO100
8	PC020295		HINGE RECEIVER ASSEMBLY
9	PD020032		SRW-8(A)X3/8PH.WFR HD 7/16DIAXNICL
10	B20010449	1	LOWER ACCESS PANEL
10	014250-002	1	PANEL, ACS, LWR, VGSO100-BK
10	014250-003	1	PANEL, ACS, LWR, VGSO100-BT
10	014250-004	1	PANEL, ACS, LWR, VGSO100-SG
10	014250-005	1	PANEL, ACS, LWR, VGSO100-GG
10	014250-006	1	PANEL, ACS, LWR, VGSO100-WH
10	014250-008	1	PANEL, ACS, LWR, VGSO100-BU
10	014250-009	1	PANEL, ACS, LWR, VGSO100-LE
10	014250-010	1	PANEL, ACS, LWR, VGSO100-MJ
10	014250-012	1	PANEL, ACS, LWR, VGSO100-VB
10	014250-013	1	PANEL, ACS, LWR, VGSO100-CB
10	014250-015	1	PANEL, ACS, LWR, VGSO100-PL
10	014250-016	1	PANEL, ACS, LWR, VGSO100-CH
10	014250-017	1	PANEL, ACS, LWR, VGSO100-TP
10	014250-018	1	PANEL, ACS, LWR, VGSO100-CW
10	014250-019	1	PANEL, ACS, LWR, VGSO100-OG
10	014250-020	1	PANEL, ACS, LWR, VGSO100-GM
10	014250-021	1	PANEL, ACS, LWR, VGSO100-SA
10	014250-022	1	PANEL, ACS, LWR, VGSO100-SE
10	014250-023	1	PANEL, ACS, LWR, VGSO100-IB
10	014250-024	1	PANEL, ACS, LWR, VGSO100-AR
10	014250-025	1	PANEL, ACS, LWR, VGSO100-RR
10	014250-026	1	PANEL, ACS, LWR, VGSO100-PM
10	014250-027	1	PANEL, ACS, LWR, VGSO100-MS
11	B1007913		HINGE CLIP (DESIGNER TIME PIECE)
12	H91010411	1	FRONT FRAME ASSEMBLY (BEFORE 1/2/13)
12	H91010411BK	1	FRAME, FRONT, ASM, BK (ON OR AFTER 1/2/13)



Ref #	Part Number	Qty.	Description
1	PB020126		3/8`` S.S. FLEX TUBING 15`` (DGCU)
2	A2004434		ORIFICE BRACKET (VGSC306)
3	PB040286		NO.38 (NAT.) BULKHEAD ORIFICE FITTING
4	B2004415		BURNER BRACKET (VGSC306)
5	PD020060		10 X 1/2 (5/16)HEX WSHR HD.(T)A
6	PB040170		BAKE IGNITION ELECTRODE
7	A20010410		MAIN BOTTOM
8	A20015472		DISCONNECT POWER BRACKET
9	PD020032		SRW-8(A)X3/8PH.WFR HD 7/16DIAXNICL
10	PB050059		BAKE BURNER - NATURAL GAS
11	PD020048		NO.10 X 1/2 TEK 410 SS SCREW
12	A2004424		BURNER COVER (VGSC306)

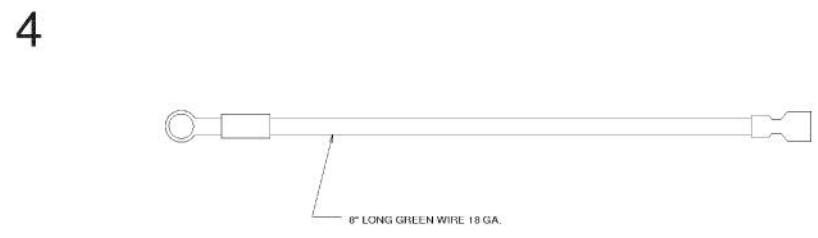
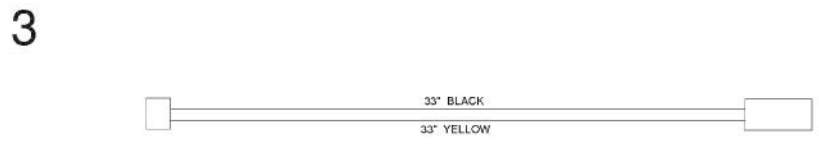
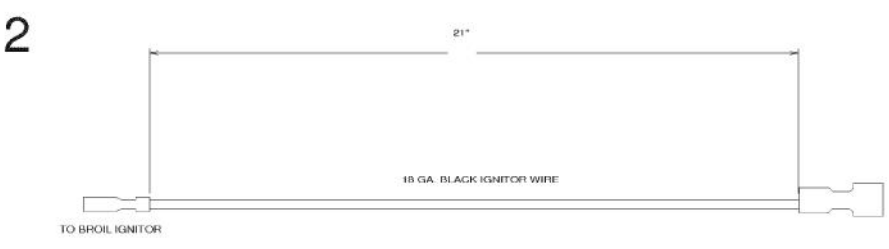


Ref #	Part Number	Qty.	Description
1	PD020060		10 X 1/2 (5/16)HEX WSHER HD.(T)A
2	PD040071		NO.8-.437 O.D. FLAT WASHER SS
3	PD020185		NO.6 X 1 PAN HEAD SCREW
4	PD020004		10X3/8PH.HD.TYPE 25 REPL PD040125
5	PB040192		3/8`` CC FERREL (DGCU)
6	009112-000	1	VALVE, SOL, DOUBLE
7	A10015451		BACK INSUL. RETAINER COVER
8	PA020035		DSI MODULE REPL PA020027
9	PB040050	3	3/8CC MALE COMP. FITTING W/FERRULE
10	PB020126		3/8`` S.S. FLEX TUBING 15`` (DGCU)
11	PE050001		TERMINAL BOARD
12	PA070015		PRESSURE REGULATOR (VGSO100)
12	006069-000		LP PRESSURE REGULATOR



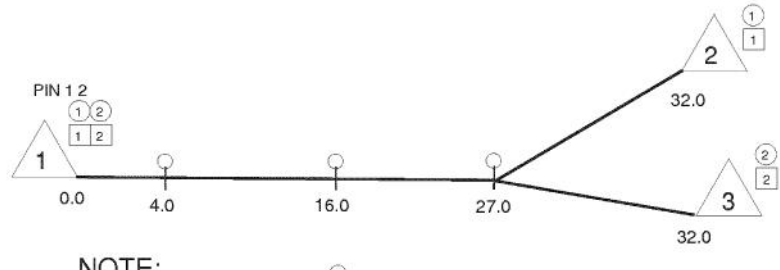
Ref #	Part Number	Qty.	Description
1	A20010432		DOOR INSULATION RETAINER
2	012264-000		GASKET, DOOR
3	A2007943		GLASSPACK BRACKET, LARGE
4	PE060064		WINDOW PACK, SELF CLEANING OVEN 30
5	G9102745	1	DR PG ASSY VDSC30/48 RE H9102175 (BEFORE 1/2/13)
5	G9102745BK	1	PLUG,DOOR,ASM (ON OR AFTER 1/2/13)
6	PB070150		FIBERGLASS ROPE, 3/8 DIA.
7	G91010431	1	DOOR LINER ASSY (BEFORE 1/2/13)
7	G91010431BK	1	LINER, DOOR, ASM, BK (ON OR AFTER 1/2/13)
8	PD020014		10X3/4 PH TR HD SMS
9	PD020032		SRW-8(A)X3/8PH.WFR HD 7/16DIA.XNCL
10	PC020226		MANSFIELD VDSC HINGE 30
11	PD020004		10X3/8PH.HD.TYPE 25 REPL PD040125
12	036839-000		BRACKET HINGE DOOR
13	PD020002		10 X 1/2 PH.TR.HD.SMS.
14	A2002367		DOOR GLASS BRKT
15	PE060030		GLASS-OUTER DOOR BK SCREENED,TEMP
16	B20010433		O/S DOOR PANEL
16	C90010433AL		O/S DOOR PANEL XALX
16	C90010433BK		O/S DOOR PANEL XBKX
16	C90010433BT		O/S DOOR PANEL XBTX
16	C90010433BU		O/S DOOR PANEL XBUX
16	C90010433CB		O/S DOOR PANEL XCBX
16	C90010433EP		O/S DOOR PANEL XEPX
16	C90010433FG		O/S DOOR PANEL XFGX
16	C90010433GG		O/S DOOR PANEL XGGX
16	C90010433LE		O/S DOOR PANEL XLEX
16	C90010433MJ		O/S DOOR PANEL XMJX
16	C90010433SG		O/S DOOR PANEL XSGX
16	C90010433VB		O/S DOOR PANEL XVBX
16	C90010433WH		O/S DOOR PANEL XWHX
17	PD030006		CAPPED WASHER PAL NUT
18	PE010016		NAMEPLATE, LOGO, PRO
18	PE010079		4.5 LOGO/VIKING PROF, BK/BR
18	PE010017		LOGO (VGSO,VEDO,VGDO,VUD) XWH/CHR
18	PE010080		4.5 LOGO/VIKING PROF XWH/BR
19	PE030179		30 PROF. DOOR HANDLE
19	PE030179PVD		30 PROF. DOOR HANDLE XPVDX 24.907
20	PE030001		BRACKET, DOOR, HANDLE
20	PE030001PVD		END CAP DOOR HANDLE XBR
21	PD010019		BLT-1/4-20X3/8HEX WASHER SERATED
22	036839-000		BRACKET HINGE DOOR
23	PE060031		J-MOLD (LARGE WINDOW)
23	PE060045		J-MOLD (LARGE WINDOW) XBRX
24	PC020290		DOOR HINGE (YELLOW)
NI	G32015461AL		COMPLETE DOOR ASSY. - AL
NI	G32015461ALBR		COMPLETE DOOR ASSY. - ALBR
NI	G32015461BK		VGSO100 DOOR ASSY XBKX
NI	G32015461BKBR		VGSO100 DOOR ASSY XBKBRX
NI	G32015461BT		VGSO100 DOOR ASSY XBTX
NI	G32015461BTBR		VGSO100 DOOR ASSY XBTBRX
NI	G32015461BU		VGSO100 DOOR ASSY XBUX
NI	G32015461BUBR		VGSO100 DOOR ASSY XBUBRX
NI	G32015461CB		VGSO100 DOOR ASSY XCBX
NI	G32015461CBBR		VGSO100 DOOR ASSY XCBBRX
NI	G32015461EP		COMPLETE DOOR ASSY. - EP

Ref #	Part Number	Qty.	Description
NI	G32015461EP		COMPLETE DOOR ASSY. - EP
NI	G32015461EPBR		COMPLETE DOOR ASSY. - EPBR
NI	G32015461FG		COMPLETE DOOR ASSY. - FG
NI	G32015461FGBR		COMPLETE DOOR ASSY. - FGBR
NI	G32015461GG		VGSO100 DOOR ASSY XGGX
NI	G32015461GGBR		VGSO100 DOOR ASSY XGGBRX
NI	G32015461LE		VGSO100 DOOR ASSY XLEX
NI	G32015461LEBR		VGSO100 DOOR ASSY XLEBRX
NI	G32015461MJ		VGSO100 DOOR ASSY XMJX
NI	G32015461MJBR		VGSO100 DOOR ASSY XMJBRX
NI	G32015461SG		VGSO100 DOOR ASSY XSGX
NI	G32015461SGBR		VGSO100 DOOR ASSY XSGBRX
NI	G32015461SS		VGSO100 DOOR ASSY
NI	G32015461SSBR		VGSO100 DOOR ASSY XSSBRX
NI	G32015461VB		VGSO100 DOOR ASSY XVBX
NI	G32015461VBBR		VGSO100 DOOR ASSY XVBBRX
NI	G32015461WH		VGSO100 DOOR ASSY XWHX
NI	G32015461WHBR		VGSO100 DOOR ASSY XWHBRX



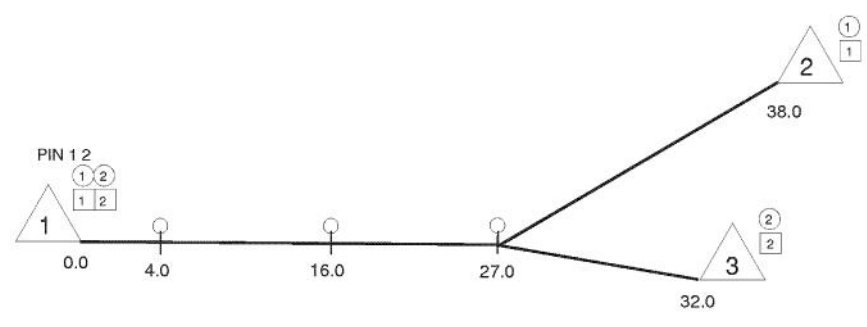
Ref #	Part Number	Qty.	Description
1	G40015380		IGNITOR WIRE - 36
2	G40015381		IGNITOR WIRE - 21
3	PE070868		RTD WIRE
4	G4000936		GROUND WIRE

1



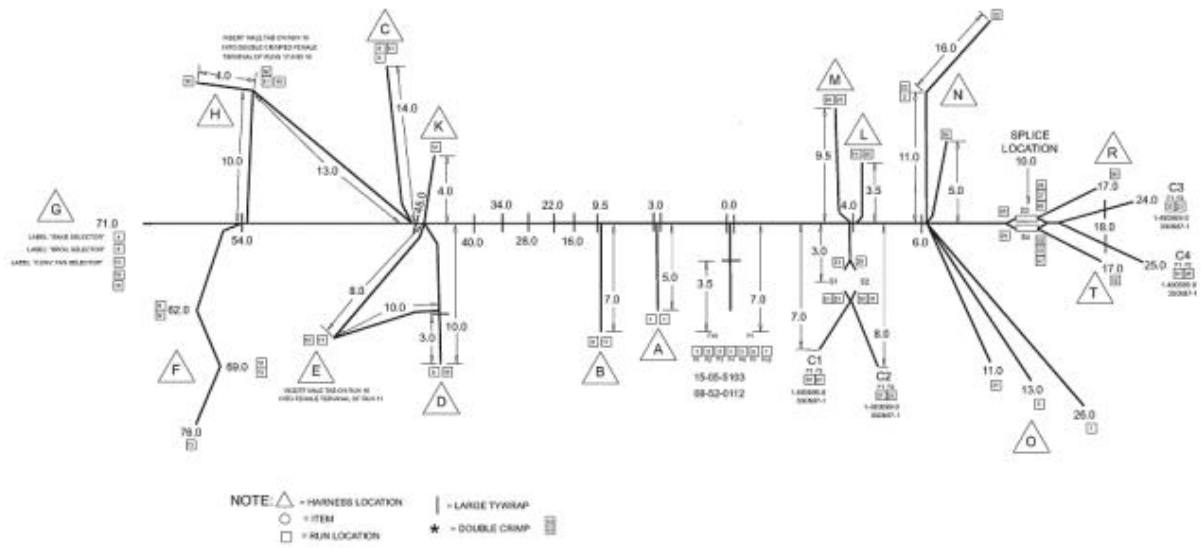
NOTE:
 △ = HARNESS LOCATION ○ = LARGE TYWRAP
 ○ = ITEM | = SMALL TYWRAP
 □ = RUN LOCATION * = DOUBLE CRIMP

2



NOTE:
 △ = HARNESS LOCATION ○ = LARGE TYWRAP
 ○ = ITEM | = SMALL TYWRAP
 □ = RUN LOCATION * = DOUBLE CRIMP

Ref #	Part Number	Qty.	Description
1	PE070615		HARNESS - DISCONNECT POWER (CAP)
2	PE070616		HARNESS - DISCONNECT POWER (PLUG)



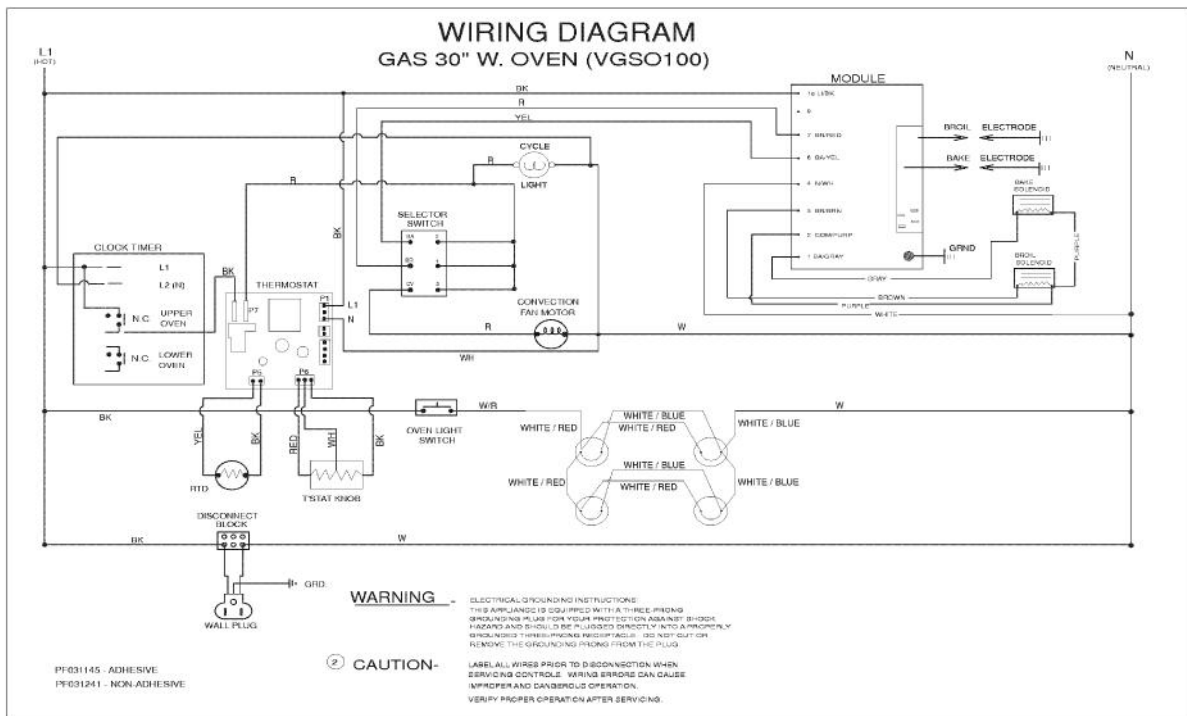
Ref #	Part Number	Qty.	Description
1	PE070841		HARNESS - VGSO100

*No Image
Available*

Ref #	Part Number	Qty.	Description
NI	031287-000	1	2-FAN SERVICE KIT, VGSO100 ASM

*No Image
Available*

Ref #	Part Number	Qty.	Description
NI	039436-000	1	TC-0081-SP PARTS KIT (AFTER SER. NO. 072711C00029673)



Ref #	Part Number	Qty.	Description
-------	-------------	------	-------------
