

This Owner's Manual is provided and hosted by [Appliance Factory Parts](#).



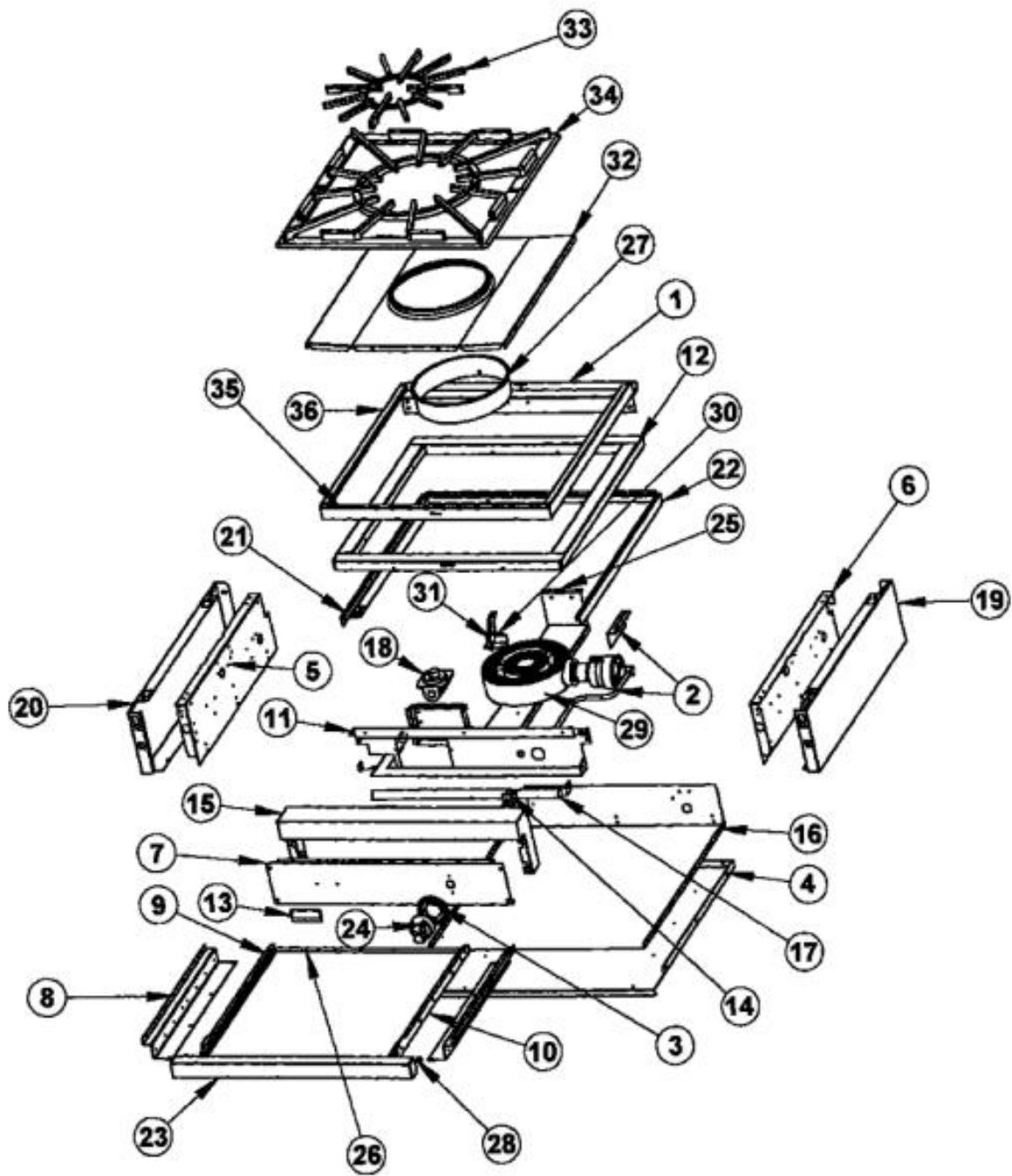
VIKING VGWT240T Owner's Manual

[Shop genuine replacement parts for VIKING VGWT240T](#)



[Find Your VIKING Grill Parts - Select From 210 Models](#)

----- Manual continues below -----



| Ref # | Part Number | Qty. | Description |
|-------|-------------|------|--|
| 1 | B2004103 | | REAR SUPT (VGWT240T) |
| 2 | PB020079 | | WOK TUBING ASSEMBLY |
| 3 | PB010208 | | BEZEL, CHROME PLATE |
| | PB010209 | | BEZEL BRASS |
| 4 | B2002701 | | INSULATION PANEL (VGWT240T) |
| 5 | B2001912 | | BURNER BOX SIDE LH (VGWT240T) |
| 6 | B2001911 | | BURNER BOX SIDE RH (VGWT240T) |
| 7 | B9204559 | | CONTROL PANEL (VGWT240T) |
| 8 | B2001160 | | DRIP TRAY GUIDE BRKT (VGWT240T) |
| 9 | PK000007 | | DRIP TRAY GUIDE - LH (VGRT) |
| 10 | PK000008 | | DRIP TRAY GUIDE - RH |
| 11 | B2005639 | | FRONT SUPPORT (VGWT240T) |
| 12 | G3004888 | | GRATE SUPT. FRAME (VGWT240T) |
| 13 | PE010142 | | 3 LOGO XBKXXCHROME |
| | PE010143 | | 3 LOGO BK/BR |
| 14 | PA010196 | | SUB TO 003544-000 - WOK VALVE |
| 15 | G3002719 | | LANDING LEDGE ASSY (VCCGG4) |
| 16 | B2002700 | | BURNER BOX BTM (VGWT240T) |
| 17 | PA050062 | | 24 SQUARE MANIFOLD (VGWT240) |
| 18 | G3004936 | | REGULATOR ASSY - NAT (P1 GRILL) |
| | G3004937 | | REGULATOR ASSY - L.P. W/HOSE |
| 19 | B2001919 | | SIDE PANEL-RH (VGRT) |
| 20 | B2001920 | | SIDE PANEL-LH (VGRT) |
| 21 | B2005417 | | COUNTERTOP SIDE TRIME LH |
| 22 | B2005416 | | COUNTERTOP SIDE TRIM RH VGRT |
| 23 | B3002706 | | DRIP TRAY HANDLE (VCCGG4) |
| | C9302706PVD | | DRIP TRAY HANDLE 24 PVD BRASS |
| 24 | PA010039 | | TOP GRILL KNOBXBKX (VGRC) (N/STYLE |
| 25 | B2004104 | | WOK BURNER SUTP (VGWT240T) |
| 26 | B3002708 | | DRIP TRAY (VCCGG4) |
| 27 | PA030006 | | GRATE SUPT. RING XSSX (VGWT240) |
| 28 | PD040004 | | GROMMET BUMPER |
| 29 | G3204100 | | WOK BURNER ASSY (24 WOK) |
| 30 | B2004105 | | SPARK IGNITOR BRKT (VGWT240T) |
| 31 | PB040160 | | WOK IGNITER |
| 32 | B2004110 | | GRATE SUTP CENTER |
| 33 | PA060044 | | CENTER GRATE (24 WOK) |
| 34 | PA060043 | | WOK GRATE |
| 35 | B3004108 | | GRATE SUPPORT FRAME WELD ASSY |
| 36 | G3004887 | | SUB TO G30012134 - GRATE SUTP OUTER FRAME (VGWT24... |
| NI | PM010043 | | CARBON STEEL WOK |
| NI | PM010044 | | WOK LID FOR PM010043 |
| NI | PB010156 | | IGNITION SWITCH KNOB (BBQ GRILL) 1390-16 |
| NI | PA020022 | | SINGLE OUTPUT IGNITION SWITCH-(VGBQ (1691.06) |
| NI | G5004200 | | LIGHTING WAND ASSY (VGBQ) |
| NI | G3204565 | | WOK OUTDOOR ISLAND TRIM ASSY |
| NI | B2003023 | | CABINET BACK TRIM - 24 (VCC-EQ4) |
| NI | G3205601 | | OUTDOOR WOK COVER ASSY |