

This Owner's Manual is provided and hosted by [Appliance Factory Parts](http://www.appliancefactoryparts.com).

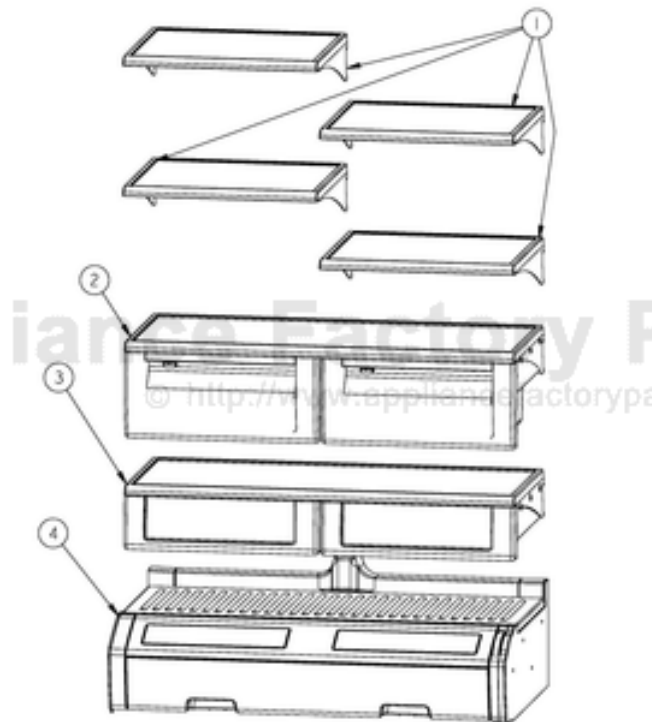


# VIKING

## VIRB364JMAG-RSERIES

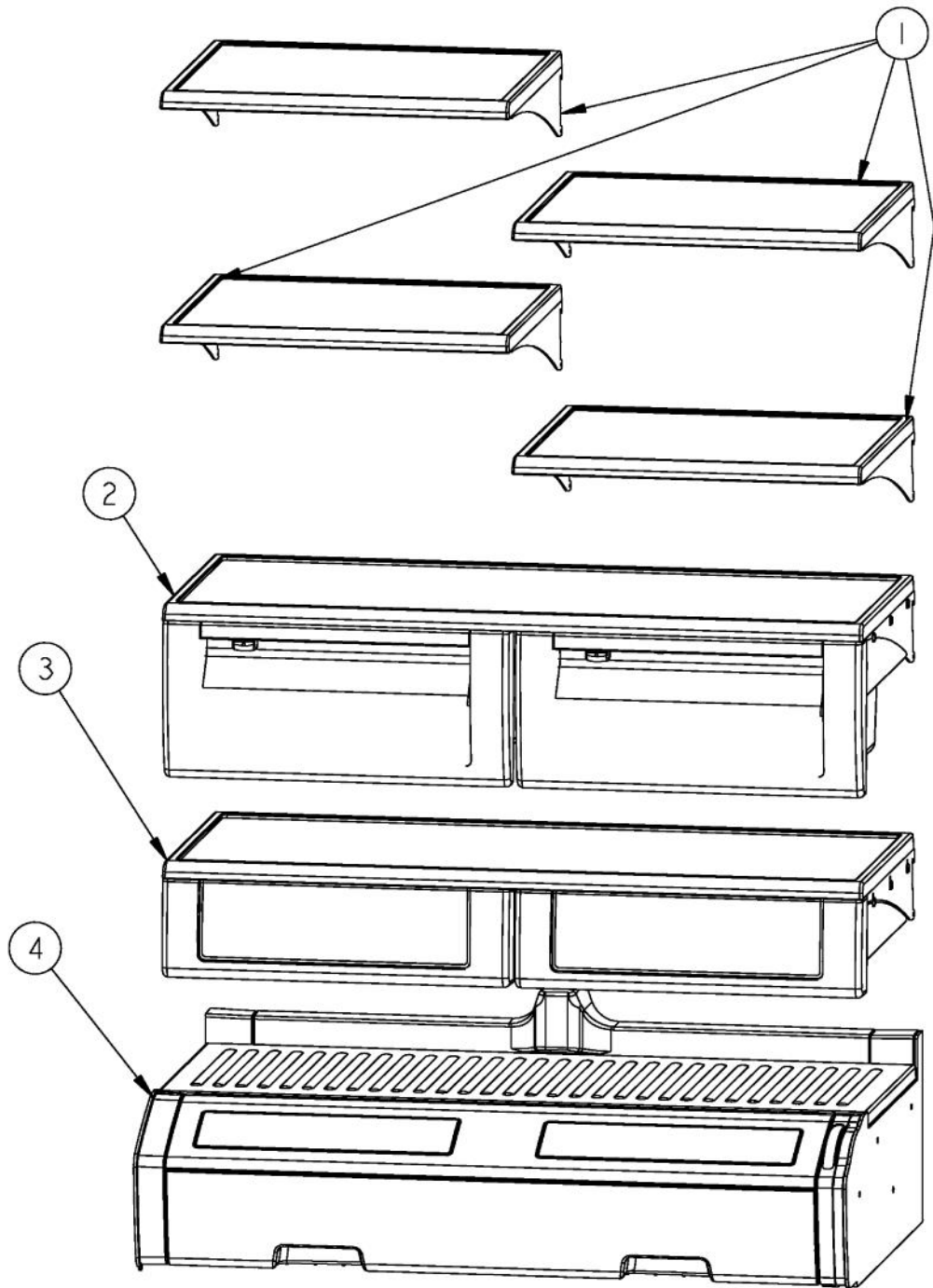
### Owner's Manual

[Shop genuine replacement parts for VIKING](#)  
[VIRB364JMAG-RSERIES](#)

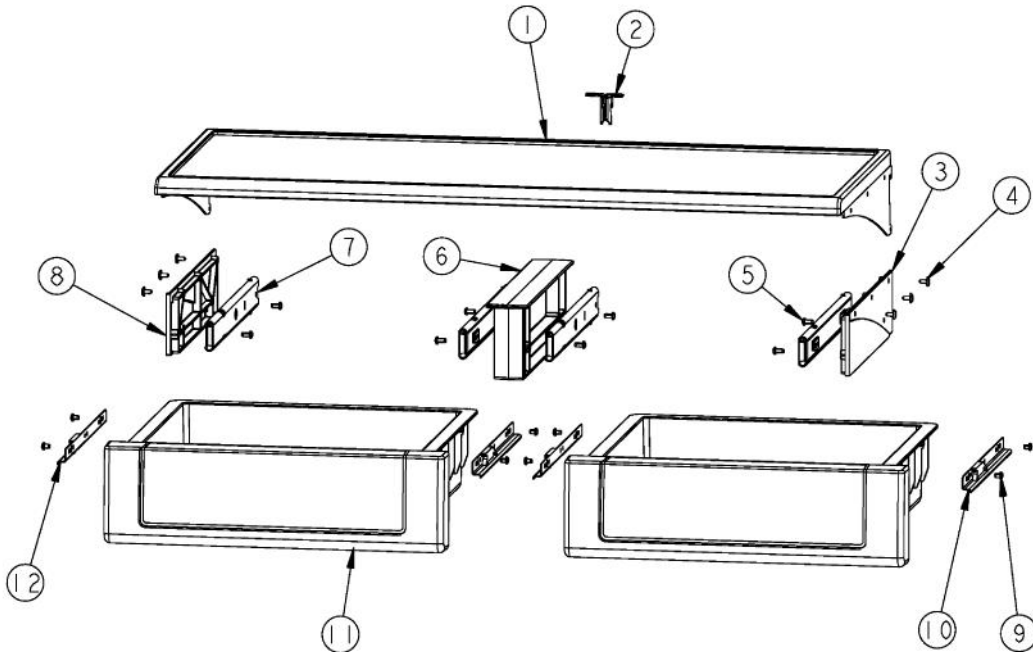


[Find Your VIKING Refrigerator Parts - Select From 341 Models](#)

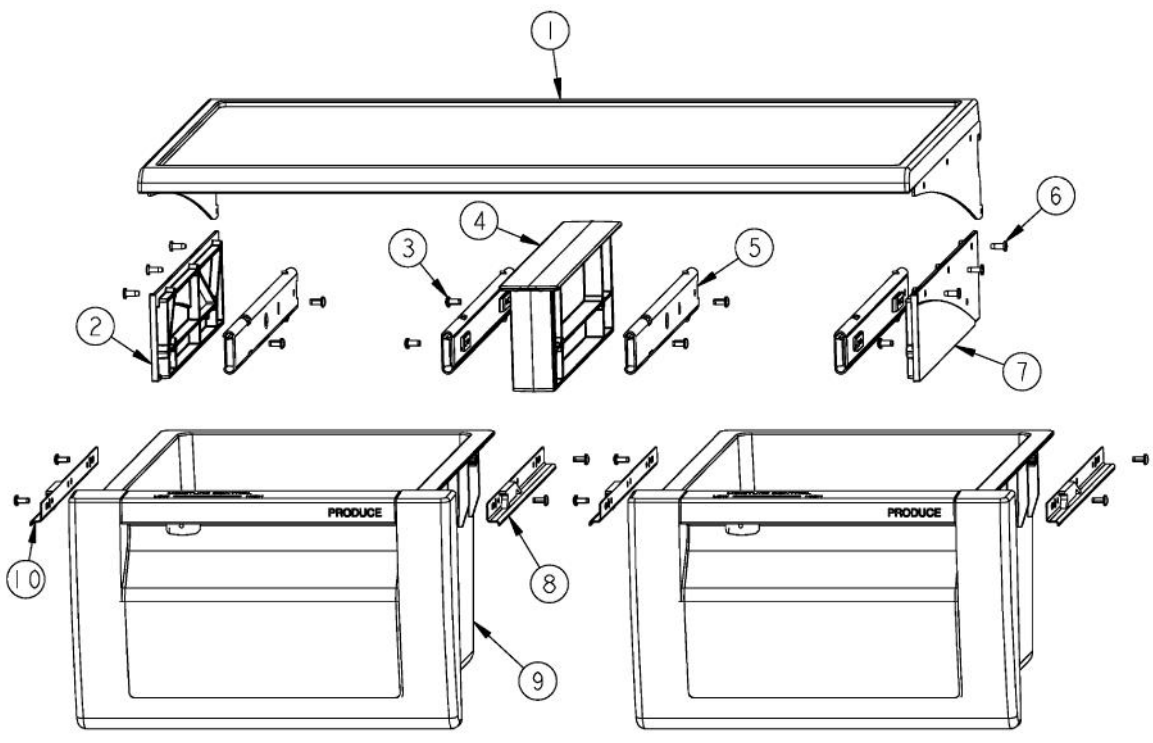
----- Manual continues below -----



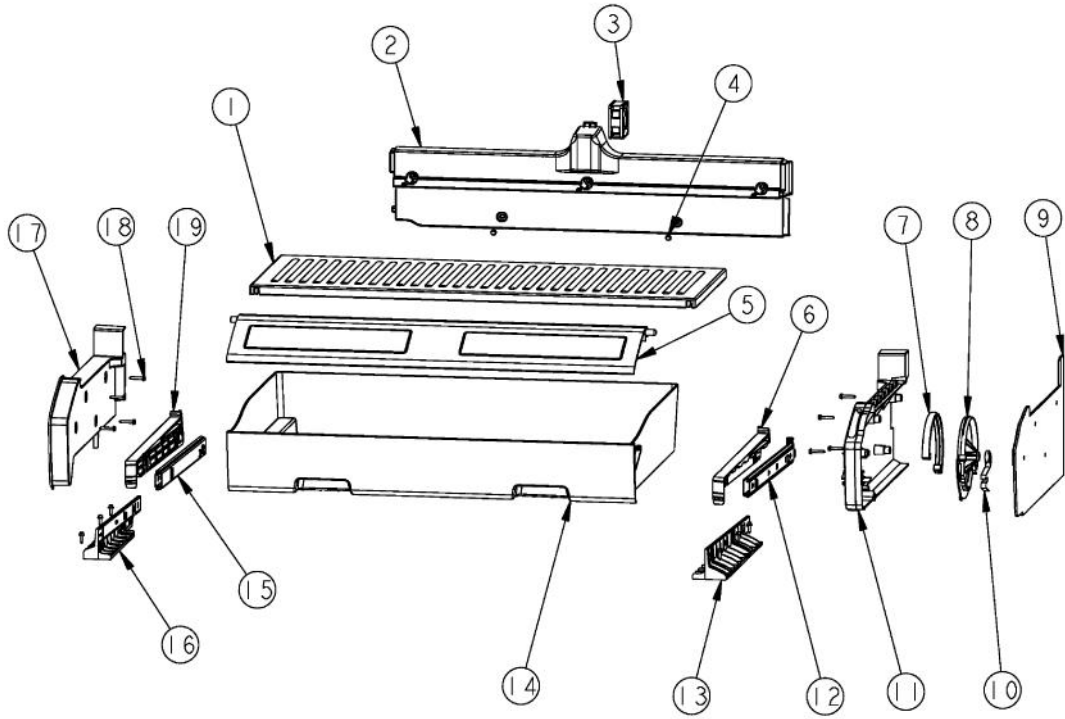
Ref #	Part Number	Qty.	Description
1	PM910351		SHELF ASM GLASS BM 36 FF
2	ProduceDrawerArea		FOR BREAKDOWN SEE PAGE 002
3	DELI DRAWER AREA		FOR BREAKDOWN SEE PAGE 002
4	MEAT SAVER DRAW...		FOR BREAKDOWN SEE PAGE 004



Ref #	Part Number	Qty.	Description
1	PM010530		SHELF ASM GLASS 36 AR 36 BM
2	120467		CRISPER RAIL ATTACHMENT
3	PK930290		SUPPORT SLIDE R
4	PD020032		SRW-8(A)X3/8PH.WFR HD 7/16DIAXNICL
5	PD920161		SCR 8-16 PLASTITE PNP 3/8 S
6	PK030439		GLIDE CENTER SUPPORT
7	PM910388		SLIDE DRAWER (R & L)
8	PK930291		SUPPORT SLIDE L
9	PD920162		SCR 8-16 PLASTITE PNP 1/4 S
10	PM910343		RAIL DRAWER R
11	PK930289		DRAWER DELI ASM AR 36
12	PM910342		RAIL DRAWER L

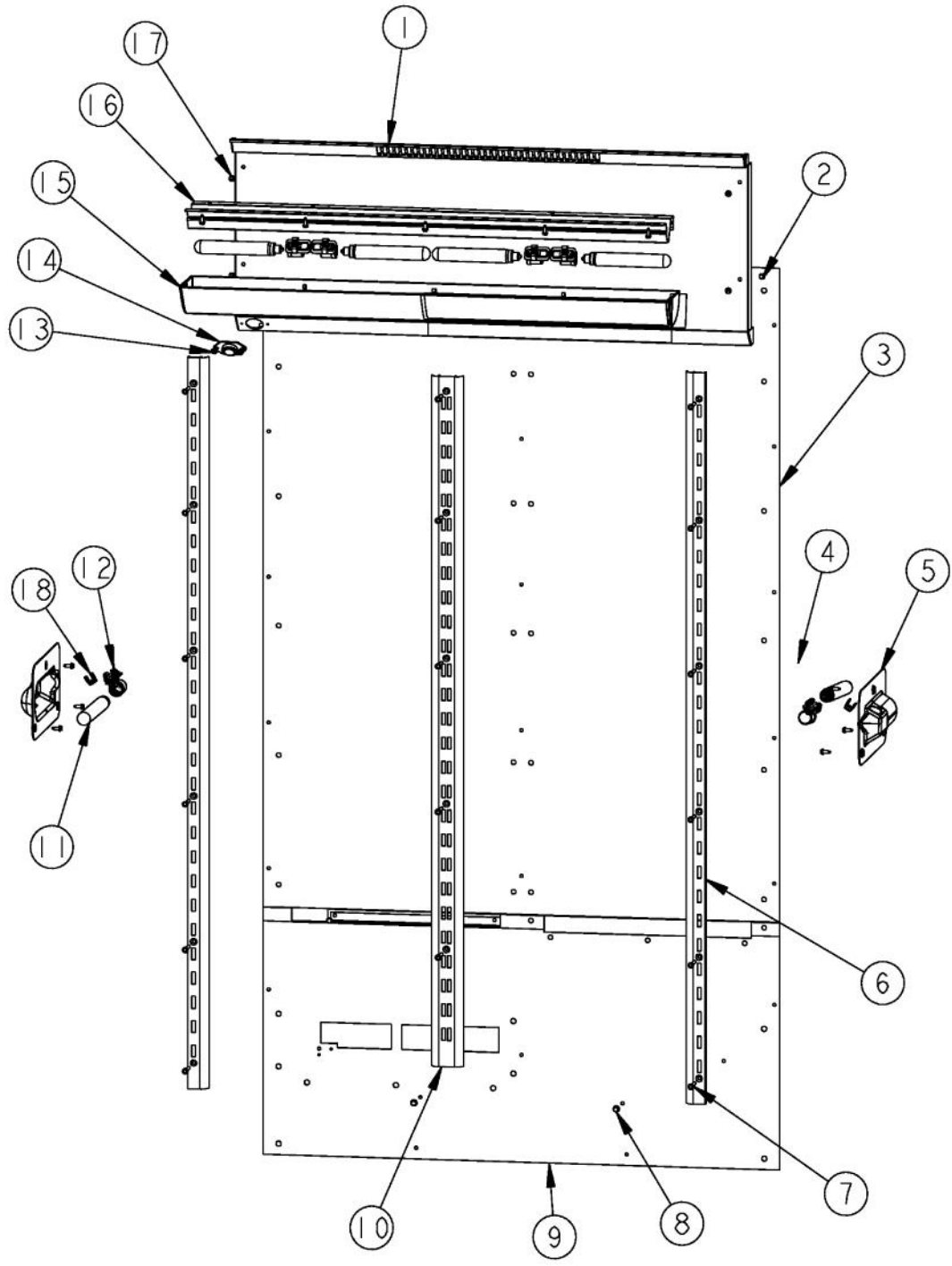


Ref #	Part Number	Qty.	Description
1	PM010530		SHELF ASM GLASS 36 AR 36 BM
2	PK930291		SUPPORT SLIDE L
3	PD920162		SCR 8-16 PLASTITE PNP 1/4 S
4	PK030439		GLIDE CENTER SUPPORT
5	PM910388		SLIDE DRAWER (R & L)
6	PD020032		SRW-8(A)X3/8PH.WFR HD 7/16DIAXNICL
7	PK930290		SUPPORT SLIDE R
8	PM910343		RAIL DRAWER R
9	PK930277		DRAWER PRODUCE ASM AR/BM 36
10	PM910342		RAIL DRAWER L

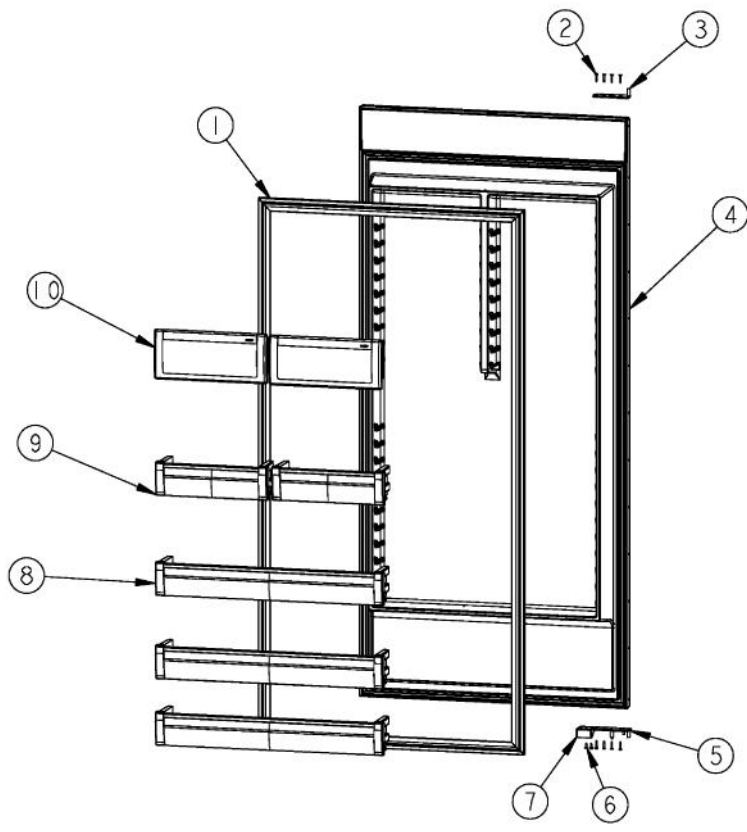




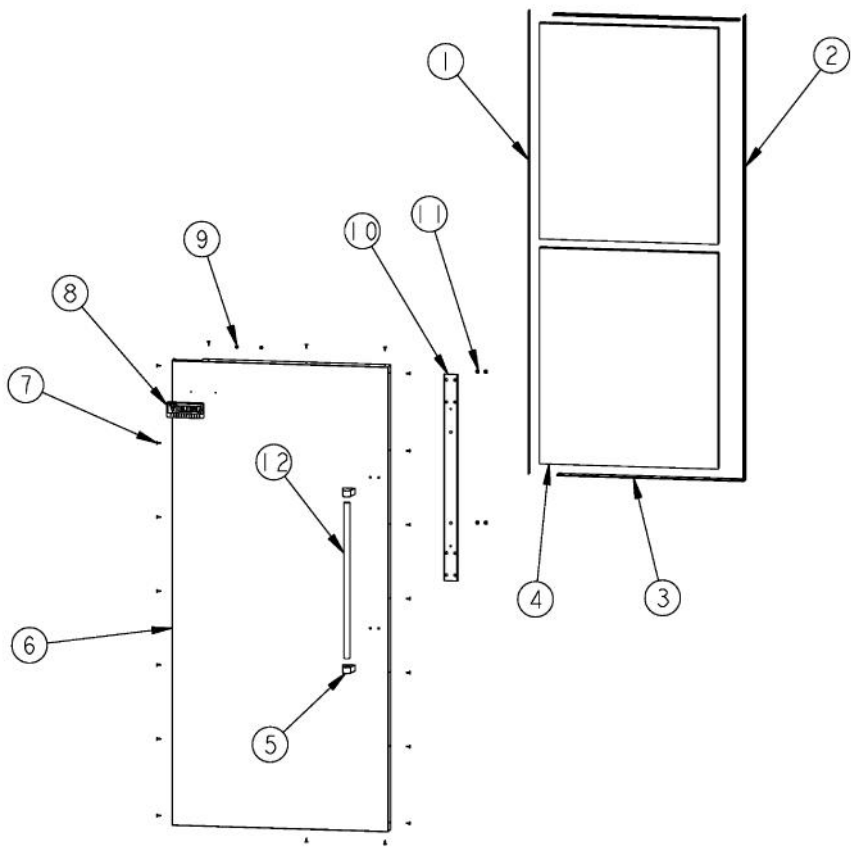
Ref #	Part Number	Qty.	Description
1	PK930286		SHELF MEATSAVOR AR/BM 36
2	PK930285		DUCT MEATSAVOR REAR AR 36
3	000730-000		MEAT SAVER FAN - 3.8 W
NI	020822-000	1	FAN RESISTOR KIT BEFORE SERIALNo. 110409R00010145
4	PD020195		SCR 8-18 X 5/8
5	PK930288		DOOR MEATSAVOR ASM AR/BM 36
6	PK930175		SUPPORT DRAWER MEAT SAVER SXS 42/48 R
7	PK930172		COVER CONTROL MEAT SAVER
8	PK930168		DIAL CONTROL MEAT SAVER
9	PK930283		DUCT MEATSAVOR SPACER
10	PM910334		ROLLER TENSION
11	PK930169		DUCT MEAT SAVER SXS 42/48 R
12	PM910287		SLIDE MEAT SAVER R
13	PK930173		SUPPORT SLIDE MEAT SAVER SXS 42/48 R
14	PK930278		DRAWER MEAT SAVER AR BM 36
15	PM910288		SLIDE MEAT SAVER L
16	PK930174		SUPPORT SLIDE MEAT SAVER SXS 42/48 L
17	PK930284		DUCT MEATSAVOR LEFT
18	M0211021		SCREW-SM
19	PK930176		SUPPORT DRAWER MEAT SAVER 42/48 L



Ref #	Part Number	Qty.	Description
1	L20914100		COVER EVAP AR 36
2	PD020194		SCREW-SM
3	L20913712		UPPER COVER SUMP
4	PK930346		COVER LIGHT
5	10270203		HOUSING-LIGHT V10270203
6	PM910280		LADDER SIDE AF 30 36
7	M0238535		SCREW-SM
8	PD020195		SCR 8-18 X 5/8
9	L20913716		COVER SUMP LOWER AR 36
10	PM910284		LADDER CENTER AR 36
11	A3079001		LAMP - 40W
12	PE950125		LIGHT SOCKET
13	M0211014		SCREW-SM
14	C8983701		THERMISTOR
15	PK930267		COVER LIGHT ASM AF AR BM 36
16	L20910705		BRACKET LIGHT AR 36
17	PD020238		SCR WH HEX WSHR HD SLTD NO.8-18 X 1/2
18	B5733302		CLIP-GROUND
NI	PB070288		1/4 X 1/2 CLOSED CELL SPONGE



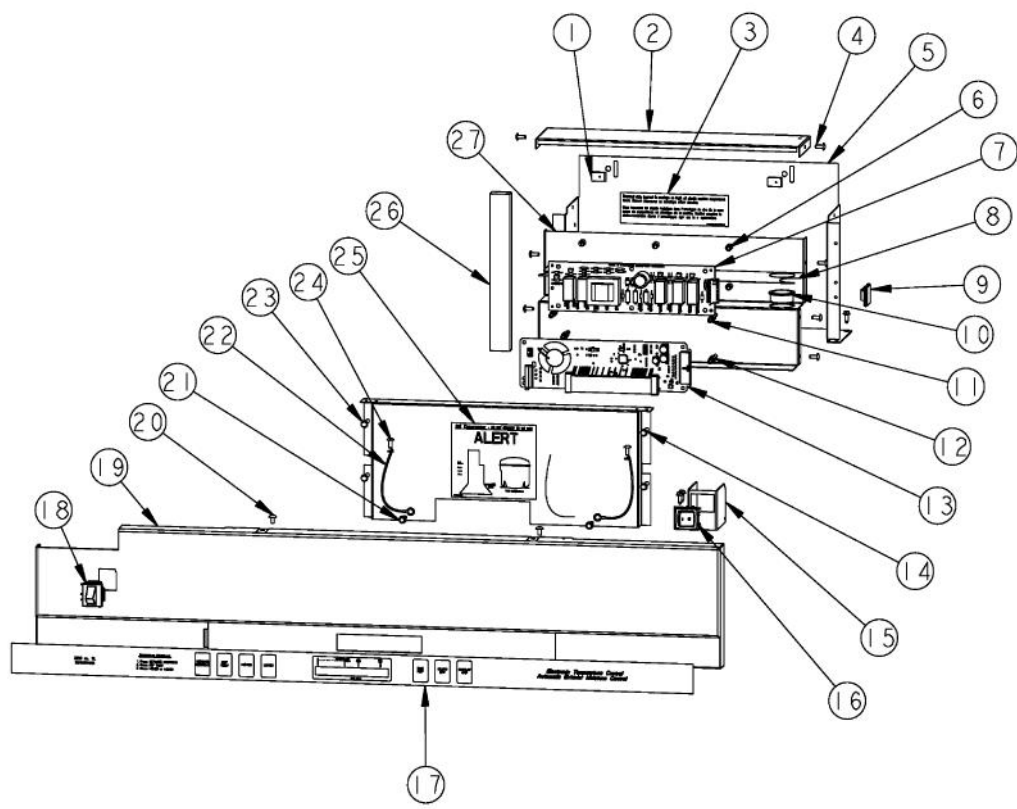
Ref #	Part Number	Qty.	Description
1	PB070334	1	DOOR GASKET (BEFORE 06-10-08)
2	005447-000	1	GASKET,ASM,36,AFAR (ON OR AFTER 06-10-08)
2	PD920174		10-32 TORX HEAD SCREW
3	PC020279		PIVOT PL ASM LH UP PRO/DES
	PC020278		PIVOT PL ASM RH UP PRO/DES
4	G32915043		DOOR ASM AR 36 (INCLUDES GASKET)
5	PC020277		PIVOT PL ASM LH LW PRO/DES
	PC020276		PIVOT PL ASM RH LW PRO/DES
6	M0210458		SCREW-SM
7	PD050019		STRIKER DOOR SWITCH
8	G5099297		DOOR BIN ASM FF 36 BM AND AR FULL
9	G5099298		DOOR BIN ASM FF 36 BM AND AR HALF
10	12097404		DAIRY MODULE ASSY
NI	PD040162		SPACER-DOOR HINGE
NI	001617-000		SPACER,NYL,PIVOT PLATE



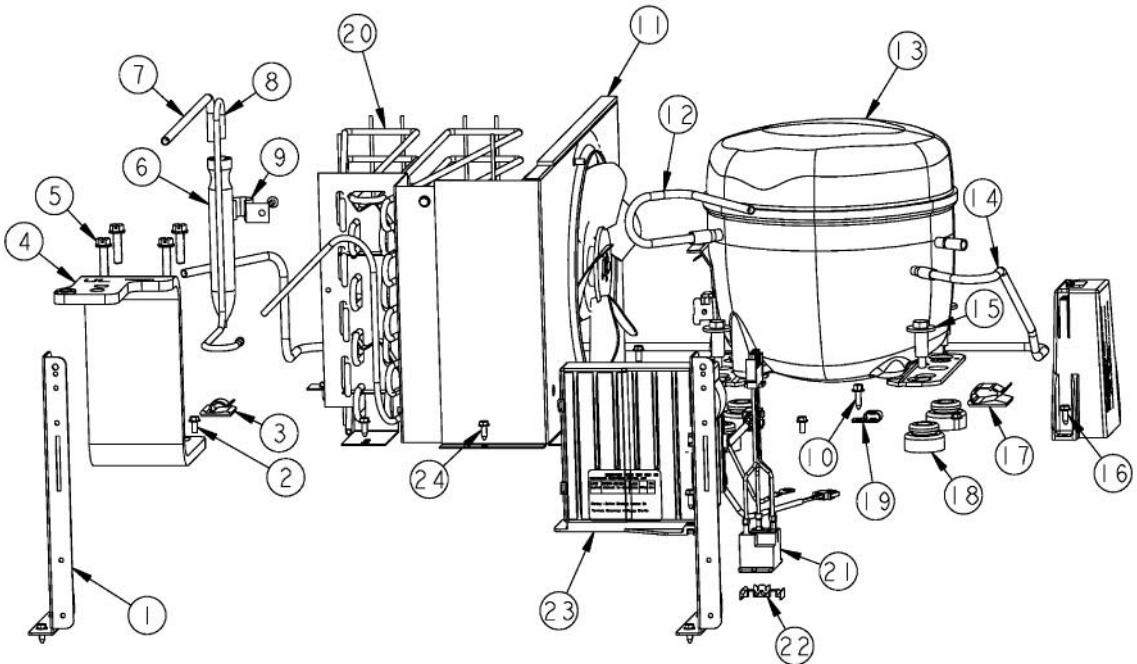
Ref #	Part Number	Qty.	Description
1	PD940087		SPACER DOOR SKIN-HINGE SIDE (75.1)
2	PE940176		TRIM - DOOR SXS PRO SIDES
3	PK030554		TRIM DOOR BULLNOSE 36 TOP/BOT
4	000754-000		BLOCK,EPS REF DOOR 36 AF AR DES
5	000268-000		HANDLE END CAP ASSY
6	PE030001PVD		END CAP DOOR HANDLE XBR
	003474-000		SKIN,DOOR,AF AR 36 PROI R SS
	003473-006WH		DOOR SKIN - RIGHT HINGE (WH)
	003473-007AL		DOOR SKIN - RIGHT HINGE (AL) (BEFORE 01/01/08)
	003473-003BT		DOOR SKIN - RIGHT HINGE (BT) (BEFORE 01/01/08)
	003473-014EP		DOOR SKIN - RIGHT HINGE (EP) (BEFORE 01/01/08)
	003473-011FG		DOOR SKIN - RIGHT HINGE (FG) (BEFORE 01/01/08)
	003473-002BK		DOOR SKIN - RIGHT HINGE (BK)
	003473-008BU		DOOR SKIN - RIGHT HINGE (BU)
	003473-013CB		DOOR SKIN - RIGHT HINGE (CB)
	003473-005GG		DOOR SKIN - RIGHT HINGE (GG)
	003473-004SG		DOOR SKIN - RIGHT HINGE (SG)
	003473-012VB		DOOR SKIN - RIGHT HINGE (VB)
	003473024AR		DOOR SKIN - RIGHT HINGE (AR) (AFTER 01/01/08)
	003473-016CH		DOOR SKIN - RIGHT HINGE (CH) (AFTER 01/01/08)
	003473-018CW		DOOR SKIN - RIGHT HINGE (CW) (AFTER 01/01/08)
	003773-020GM		DOOR SKIN - RIGHT HINGE (GM) (AFTER 01/01/08)
	003473-023IB		DOOR SKIN - RIGHT HINGE (IB) (AFTER 01/01/08)
	003473-027MS		DOOR SKIN - RIGHT HINGE (MS) (AFTER 01/01/08)
	003473-019OG		DOOR SKIN - RIGHT HINGE (OG) (AFTER 01/01/08)
	003473-015PL		DOOR SKIN - RIGHT HINGE (PL) (AFTER 01/01/08)
	003473-026PM		DOOR SKIN - RIGHT HINGE (PM) (AFTER 01/01/08)
	003473-025RR		DOOR SKIN - RIGHT HINGE (RR) (AFTER 01/01/08)
	003473-021SA		DOOR SKIN - RIGHT HINGE (SA) (AFTER 01/01/08)
	003473-022SE		DOOR SKIN - RIGHT HINGE (SE) (AFTER 01/01/08)
	003473-017TP		DOOR SKIN - RIGHT HINGE (TP) (AFTER 01/01/08)
	003443-000		SKIN,DOOR,AF AR 36 PROI L SS
	003450-006WH		DOOR SKIN - LEFT HINGE (WH)
	003450-007AL		DOOR SKIN - LEFT HINGE (AL) (BEFORE 01/01/08)
	003450-003BT		DOOR SKIN - LEFT HINGE (BT) (BEFORE 01/01/08)
	003450-014EP		DOOR SKIN - LEFT HINGE (EP) (BEFORE 01/01/08)
	003450-011FG		DOOR SKIN - LEFT HINGE (FG) (BEFORE 01/01/08)
	003450-002BK		DOOR SKIN - LEFT HINGE (BK)
	003450-008BU		DOOR SKIN - LEFT HINGE (BU)

Ref #	Part Number	Qty.	Description
	003450-008BU		DOOR SKIN - LEFT HINGE (BU)
	003450-013CB		DOOR SKIN - LEFT HINGE (CB)
	003450-005GG		DOOR SKIN - LEFT HINGE (GG)
	003450-004SG		DOOR SKIN - LEFT HINGE (SG)
	003450-012VB		DOOR SKIN - LEFT HINGE (VB)
	003450-024AR		DOOR SKIN - LEFT HINGE (AR) (AFTER 01/01/08)
	003450-016CH		DOOR SKIN - LEFT HINGE (CH) (AFTER 01/01/08)
	003450-018CW		DOOR SKIN - LEFT HINGE (CW) (AFTER 01/01/08)
	003450-020GM		DOOR SKIN - LEFT HINGE (GM) (AFTER 01/01/08)
	003450-023IB		DOOR SKIN - LEFT HINGE (IB) (AFTER 01/01/08)
	003450-027MS		DOOR SKIN - LEFT HINGE (MS) (AFTER 01/01/08)
	003450-019OG		DOOR SKIN - LEFT HINGE (OG) (AFTER 01/01/08)
	003450-015PL		DOOR SKIN - LEFT HINGE (PL) (AFTER 01/01/08)
	003450-026PM		DOOR SKIN - LEFT HINGE (PM) (AFTER 01/01/08)
	003450-025RR		DOOR SKIN - LEFT HINGE (RR) (AFTER 01/01/08)
	003450-021SA		DOOR SKIN - LEFT HINGE (SA) (AFTER 01/01/08)
	003450-022SE		DOOR SKIN - LEFT HINGE (SE) (AFTER 01/01/08)
	003450-017TP		DOOR SKIN - LEFT HINGE (TP) (AFTER 01/01/08)
7	M0210458		SCREW-SM
8	PE010030		LOGO, 6, PRO, BK
	PE010068		LOGO, 6, PRO, BK/BR
	PE010031		LOGO 6 (VGRC) XBK/WHX
	PE010076		LOGO 6 (VGRC) XBR/WHX
9	PD030006		CAPPED WASHER PAL NUT
10	K2097526		BRACKET - HANDLE SUPPORT
11	M0204303		SCREW-MACH
12	PE930101		VCSB482 HANDLE -(12466403)
	PE030012PVD		DOOR HANDLE - RH - (30/48) PVD

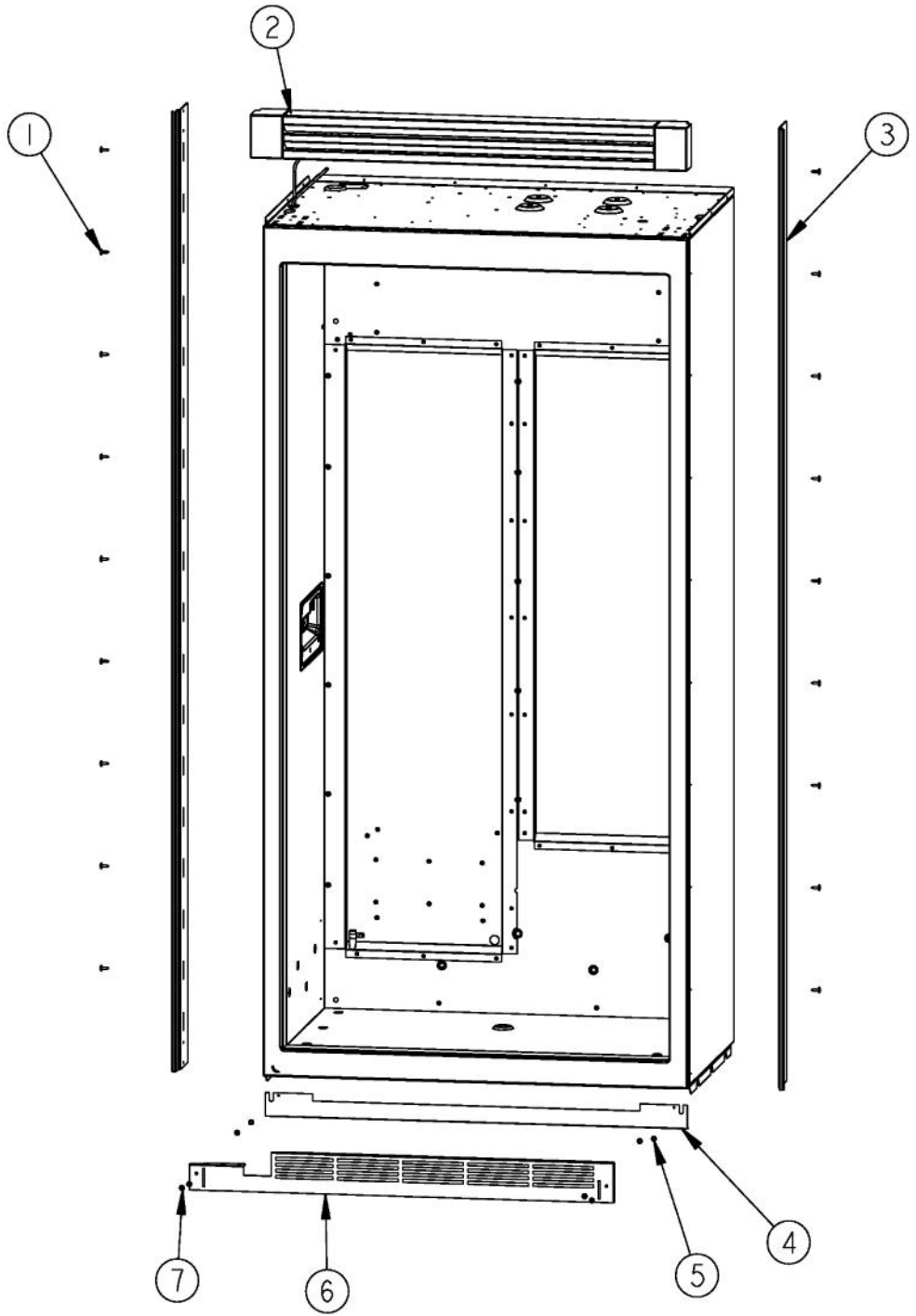




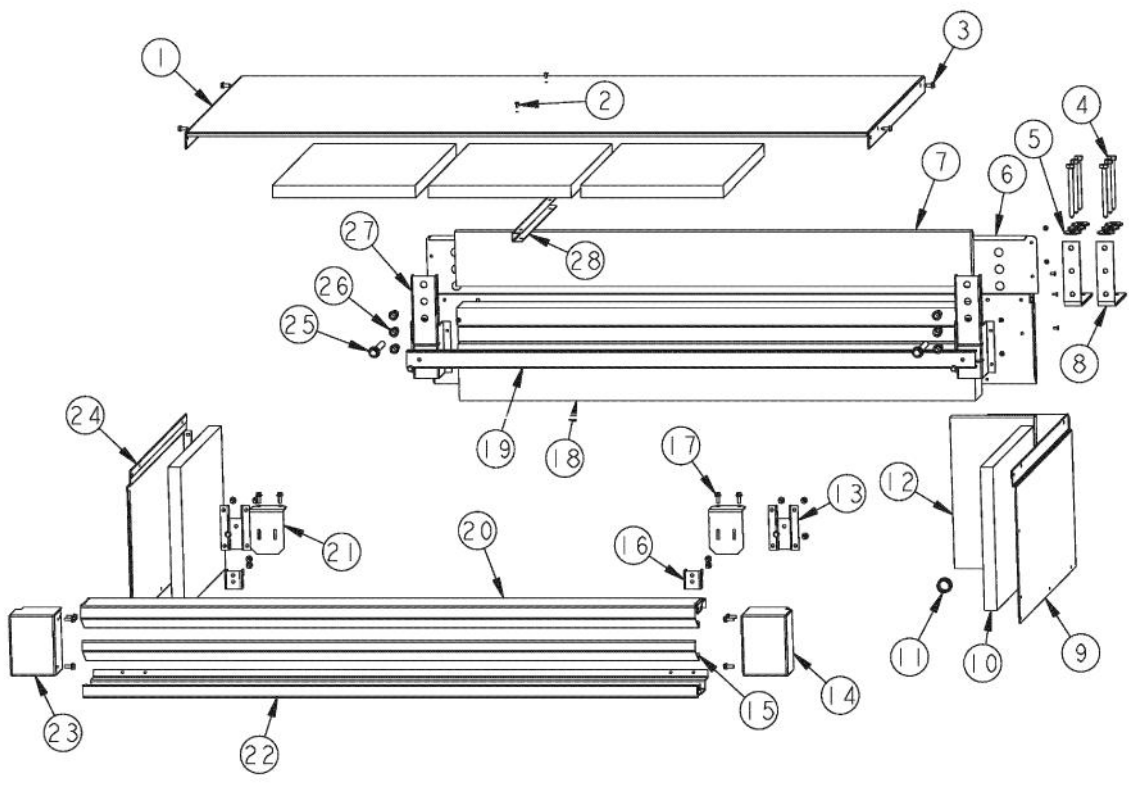
Ref #	Part Number	Qty.	Description
1	M0288120		NUT-SPEED, VM0288120
2	K20915000		CONTROL BOX TOP
3	PF930487		TECH LITERATURE LABEL - 2
4	PC040010		POP RIVET
5	K2099402		CONTROL BOX
6	M0585504		SUPPORT
7	PE970463		POWER CONTROL BOARD
8	PM910325		FILM PROTECTIVE
9	M0104106		CLIP-CORD VM0104106
10	A4554817		BUSHING-SNAP VA4554817
11	PD020013		TYPE AB NO.6 X 3/8 PH PAN HD. SMS
12	M0585506		SUPPORT
13	PE070728		BOARD LOW VOLTAGE
14	K20910061		CONTROL BOX FRONT
15	K2098654		BRACKET SWITCH POWER
16	PE950149		SWITCH POWER
17	PE950181		OVERLAY SWITCH AR 36
18	PE950122		SWITCH
19	PK030459		PANEL CONTROL AR 36 L
	PK030458		PANEL CONTROL AR 36 R
20	M0224128		SCREW-SM
21	M0238846		SCREW-SHLDR
22	12064001		SUPP-CONT PANEL
23	PD020194		SCREW-SM
24	PC040010		POP RIVET
25	PF930672		LABEL DC COMPRESSOR
26	A3030361		GASKET, RED
27	K20910060		BRACKET - PC



Ref #	Part Number	Qty.	Description
1	K20912569		BRACKET GRILLE SUPPORT
2	PD020010		10 X 3/8 GREEN GROUNDING SCREW
3	M0104106		CLIP-CORD VM0104106
4	PC920204		HINGE ASM UL
	PC920203		HINGE ASM UR
5	000570-000		HEX SCREW
6	10743201		DRIER, HI SIDE
7	F2097740		TUBE PROCESS
8	F2096669		TUBE-DRIER COND
9	10547001		CLIP-DRIER V10547001
10	PD020195		SCR 8-18 X 5/8
11	G5096494		COND. FAN ASSY
12	F2096507		TUBE-PROCESS GRN
13	G50911820		COMPRESSOR KIT (INCLUDES DRIER)
14	F20910729		TUBE DISCHARGE FORMED AF AR 36
15	M0221523		SCREW - SHLDR
16	PE970608		POWER SUPPLY 24 VDC 15 W
17	M0104102		CLIP-CORD RED
18	10835901		GROMMET RUBBER V10835901
19	002573-000		CLAMP CORD
20	PB920171		CONDENSER ASM
21	G50915958		ASM AR SABBATH MODE RELAY
22	M0327801		SPLICE TAP
23	PE070849		INVERTER
24	PD020194		SCREW-SM

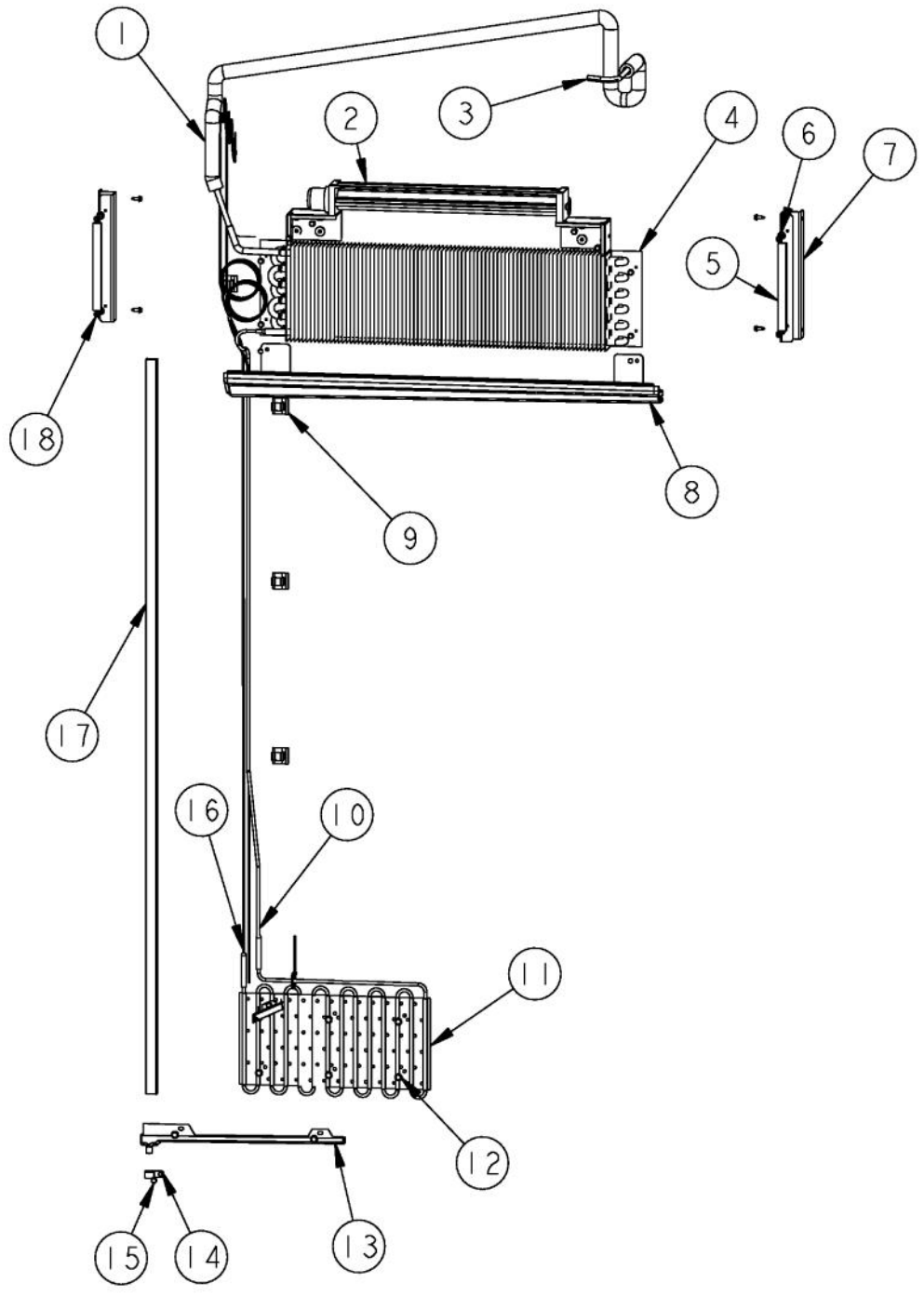


Ref #	Part Number	Qty.	Description
1	M0215318		SCREW-SM
2	003484-000		GRILLE, ASM, AR AF 36 PROI (FOR BREAKDOWN SEE PAGE 011)
	G32916302		GRILLE, ASM, AR AF 36 PROI R (FOR BREAKDOWN SEE PAGE 011)
3	PK920066		SIDE TRIM
4	000147-002		KICKPLATE, LWR
5	40370P01		NYLON FLAT WASHER V40370P01
6	C9099206BK		GRILLE TOE VENTED 36 LH XBKX
	C90910759BK		GRILLE TOE VENTED 36 XBKX
7	M0210443		SCREW-E SM
NI	G50915028		GRILLE TOE ASM AF AR 36 L (CONTAINS ITEMS NO. 4 - NO. 7)
NI	G50915027		GRILLE TOE ASM AF AR 36 R (CONTAINS ITEMS NO. 4 - NO. 7)

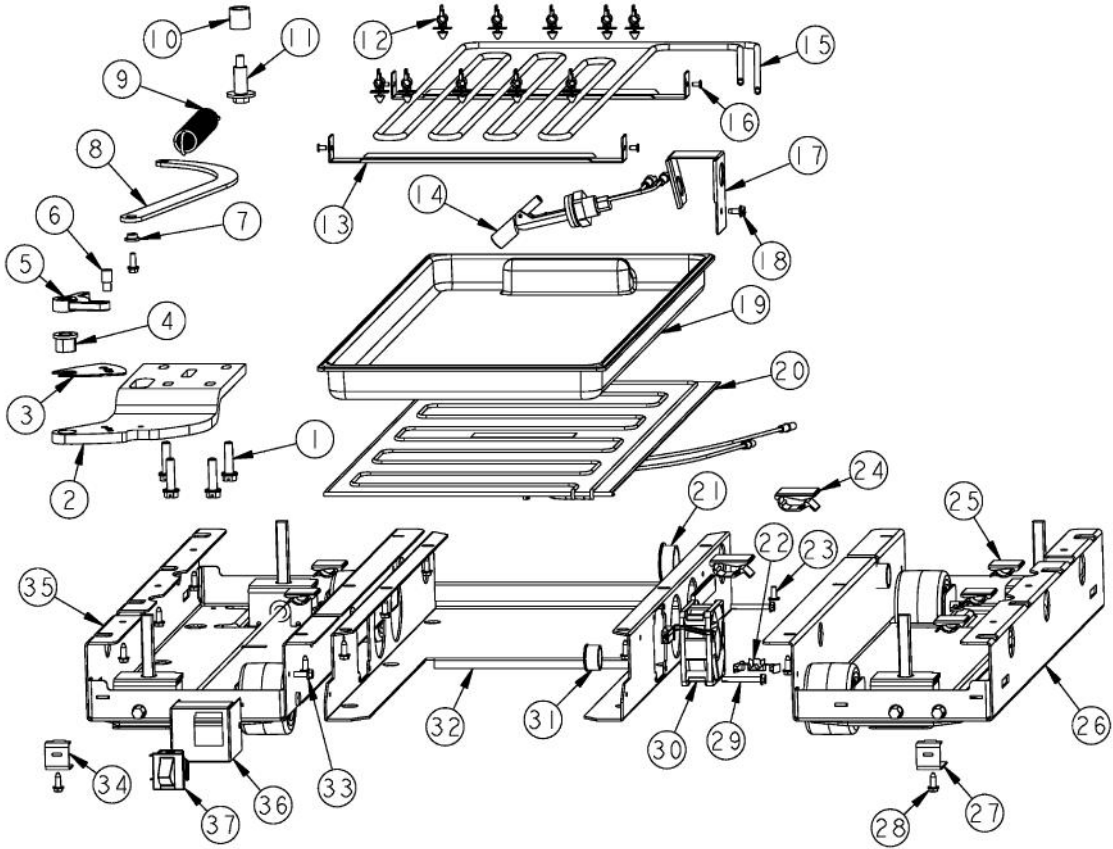


Ref #	Part Number	Qty.	Description
1	K2099931		MC TOP 36
2	PC040010		POP RIVET
3	PD020194		SCREW-SM
4	M0223509		SCREW-LAG
5	M0270510		WASHER
6	K2099933		MC BACK 36
7	PB070358		INSULATION MC COVER
8	PK910089		BRACKET, ANTI - TIP
9	K2099459		MC SIDE R
10	PB070355		INSULATION MC COVER
11	A4554806		BUSHING-SNAP VA4554806
12	PB970171		MC INSULATION - BACK SIDE
13	PK050004		BRACKET GRILLE
14	B20916336		ENDCAP GRILLE PROI N
	B20916337		ENDCAP GRILLE PROI R
15	B20916316		LOUVER GRILLE MID 36 PROI
16	B2096961		BRACKET-LOUVER
17	M0220417		SCREW-TC
18	PB070359		INSULATION MC COVER
19	K20915902		CROSSMEMBER PSM 36
20	B20916315		LOUVER GRILLE TOP 36 PROI
21	K20916342		BRACKET GRILLE
22	B20916317		LOUVER, GRL, LWR, AR AF 36 PROI
23	B20916338		ENDCAP GRILLE PROI L
	B20916336		ENDCAP GRILLE PROI N
24	K2099460		MC SIDE L
25	PD020233		SCR LAG 5/16-9 GX 5/16X7/16 WAF IHXW 3 S ZN
26	PD040157		BEARING SLEEVE
27	K20915675		BRACKET PSM
28	K2099455		SUPPORT MC Z

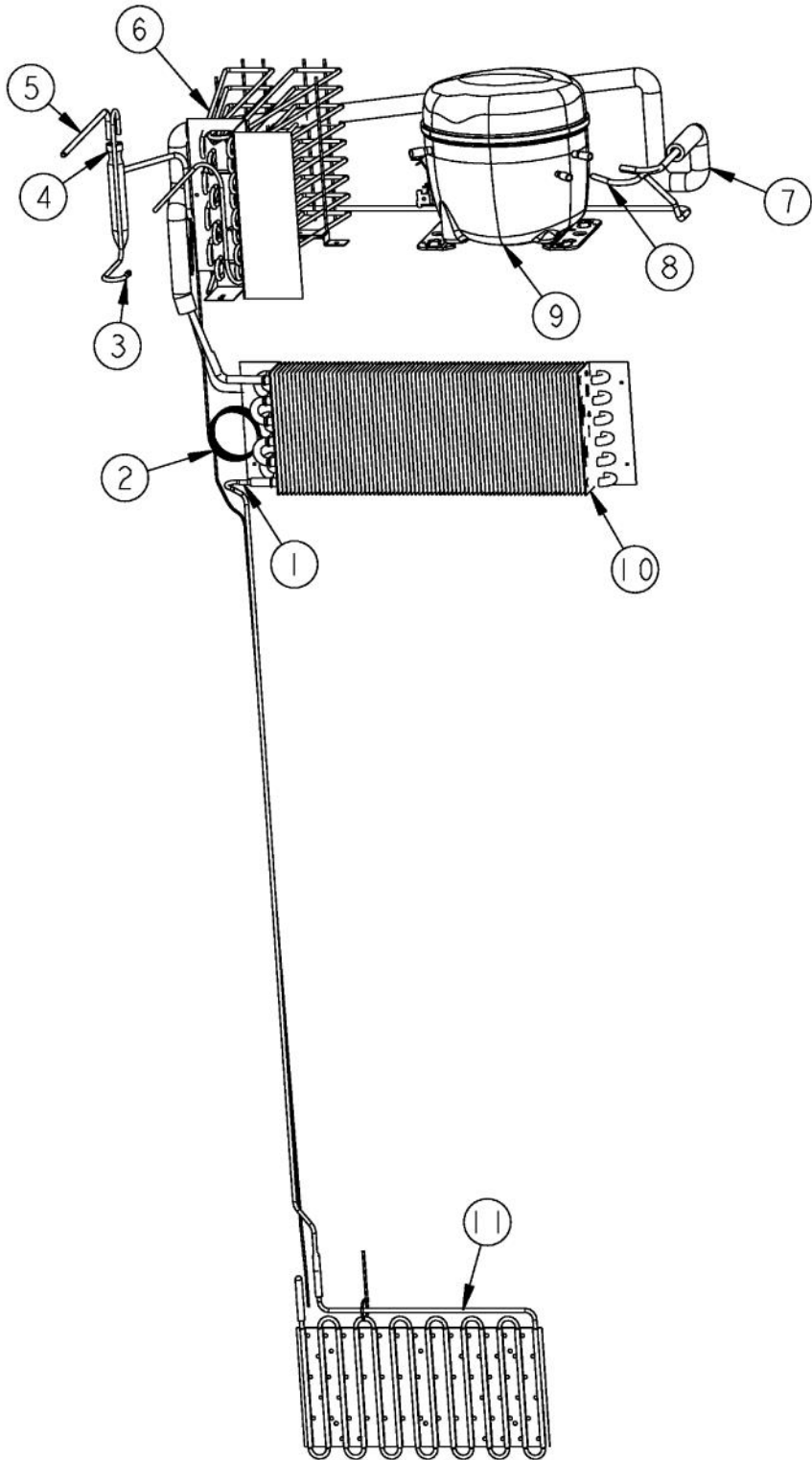




Ref #	Part Number	Qty.	Description
1	PB970187		INSULATION TUBING 57.500
2	G50914135		ASM FAN MOUNTING AR 36
3	F2099936		TUBE SUCTION AR 36
4	PM910455		EVAPORATOR AR 36 30
5	PB070288		1/4 X 1/2 CLOSED CELL SPONGE
6	PD040150		WASHER FLAT NYLON NO.10
7	K20914102		ANGLE UPR EVAP MNT AR 30 36
8	G50914189		DRAIN PAN ASM UPPER AR36
9	M0104106		CLIP-CORD VM0104106
10	F20913720		TUBE EVAP AR 36
11	PM910496		MS HEAT EXCH ASM AR 36 30
12	PD020032		SRW-8(A)X3/8PH.WFR HD 7/16DIAXNICL
13	PK030445		PAN DRAIN LOWER EVAP AR 30 36
14	PD030148		CLAMP CABLE ALUMINUM .500 DIA. (AL-8 CLAMP)
15	PD020194		SCREW-SM
16	F20912568		CAPILLARY TUBE
17	PK030446		DRAIN VERTICAL AR 30 36
18	PD020238		SCR WH HEX WSHR HD SLTD NO.8-18 X 1/2



Ref #	Part Number	Qty.	Description
1	000570-000		HEX SCREW
2	PC020289		HINGE PLATE LL
	PC920215		HINGE PLATE SXS LR
3	PC920144		PLATE - WC DOOR SHIM
4	PD940090		BUSHING - WC DOOR LEVEL
5	PD940091		BUSHING - DOOR STOP
6	PC920145		PIN - DOOR STOP
7	PD940094		BUSHING
8	PC920149		BAR-WC BOT HINGE LH
	PC920166		BAR-WC BOT HINGE RH
9	PC910015		SPRING EXTENSION
10	PD940107		ROUND SPRING SPACER
11	M0221523		SCREW - SHLDR
12	PD030146		STAND OFF LOCK CLIP
13	K20911831		BRACKET CONDENSATE SUPPORT
14	PE050248		FLOAT SWITCH HORIZONTAL
15	F20915696		SERPENTINE CONDENSER DRAIN
16	PC040010		POP RIVET
17	B20915627		BRACKET HORIZ FLOAT SWITCH
18	M0253916		SCREW-TF
19	PK930348		PAN DRAIN
20	G50914125		TRAY PAN HEATER
21	A4554817		BUSHING-SNAP VA4554817
22	M0327801		SPLICE TAP
23	PD020010		10 X 3/8 GREEN GROUNDING SCREW
24	M0104102		CLIP-CORD RED
25	M0104106		CLIP-CORD VM0104106
26	PM910398		LEVELER ASSEMBLY - R
27	K2098044		BRKT GRILLE SUPPORT
28	PD020194		SCREW-SM
29	PD020274		SCR SLTD HEX WSHR HD 8X1.250 BT
30	000731-000		AXIAL FAN
31	A4554806		BUSHING-SNAP VA4554806
32	K20915952		SHIELD BOTTOM DRAIN
33	M0220417		SCREW-TC
34	K2098096		BRKT GRILLE SUPPORT
35	PM910399		LEVELER MODULE L
36	002668-000		SWITCH,GRILLE,MT,LH
	002667-000		SWITCH,GRILLE,MT,RH
37	PE950147		SWITCH SPST NC BLACK

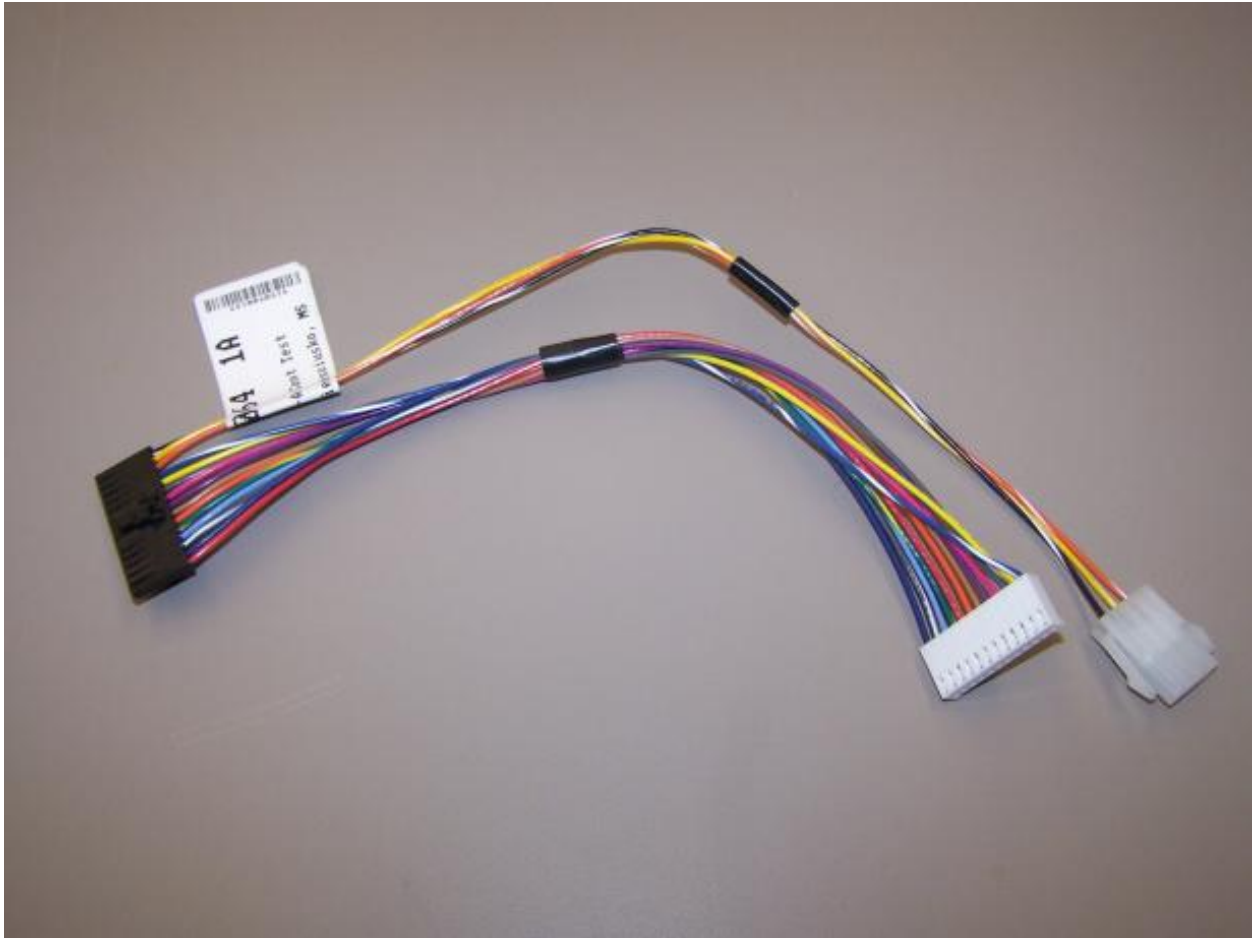


Ref #	Part Number	Qty.	Description
1	F20913720		TUBE EVAP AR 36
2	F20912568		CAPILLARY TUBE
3	F2096669		TUBE-DRIER COND
4	10743201		DRIER, HI SIDE
5	F2097740		TUBE PROCESS
6	PB920171		CONDENSER ASM
7	F2099936		TUBE SUCTION AR 36
8	F20910729		TUBE DISCHARGE FORMED AF AR 36
9	G50911820		COMPRESSOR KIT (INCLUDES DRIER)
10	PM910455		EVAPORATOR AR 36 30
11	PM910496		MS HEAT EXCH ASM AR 36 30

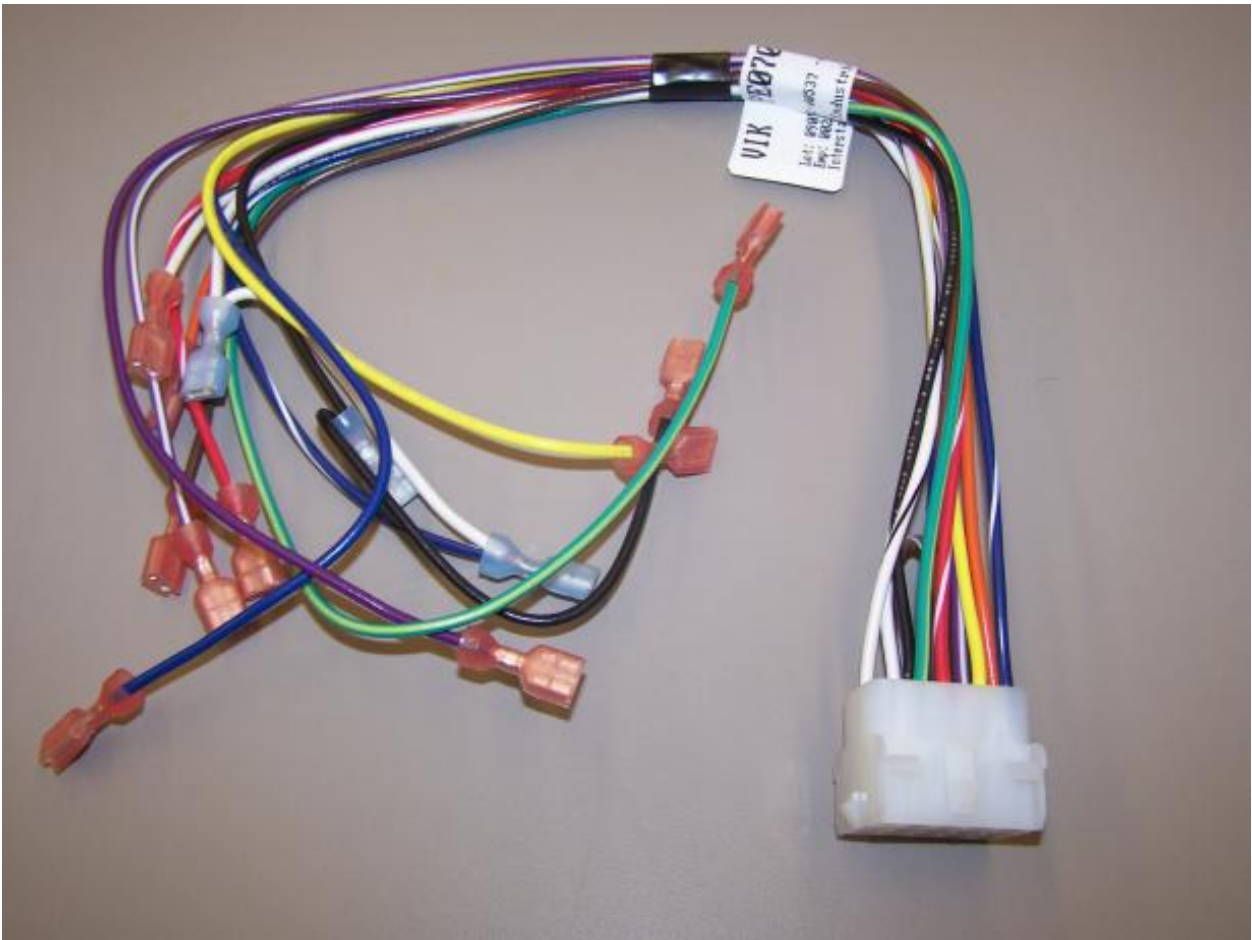
*No Image  
Available*

Ref #	Part Number	Qty.	Description
1	PE070877		HARNESS MACHINE COMP AR

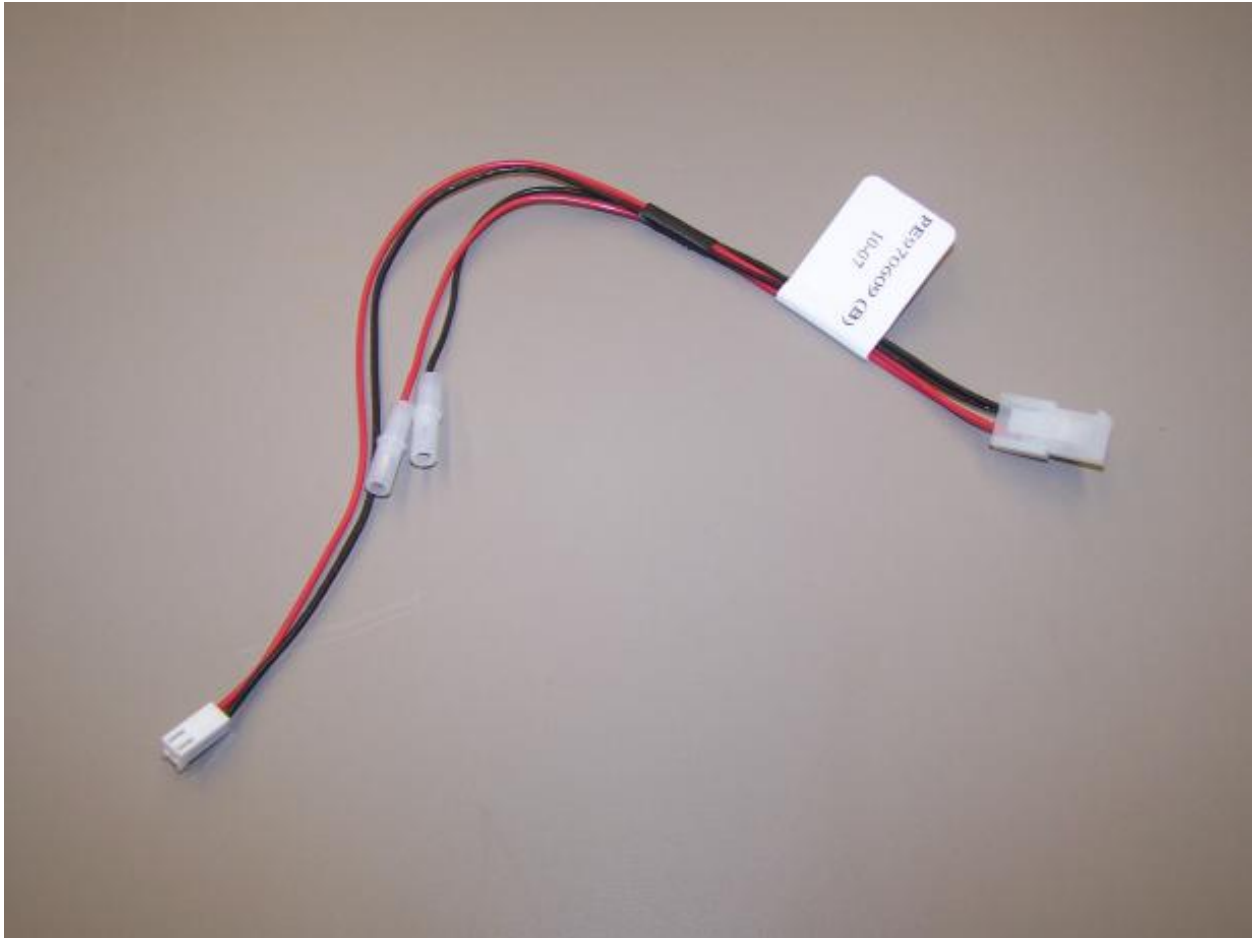




Ref #	Part Number	Qty.	Description
1	PE970464		HARNESS LOW VOLT



Ref #	Part Number	Qty.	Description
1	PE070785		HARNESS HIGH VOLT

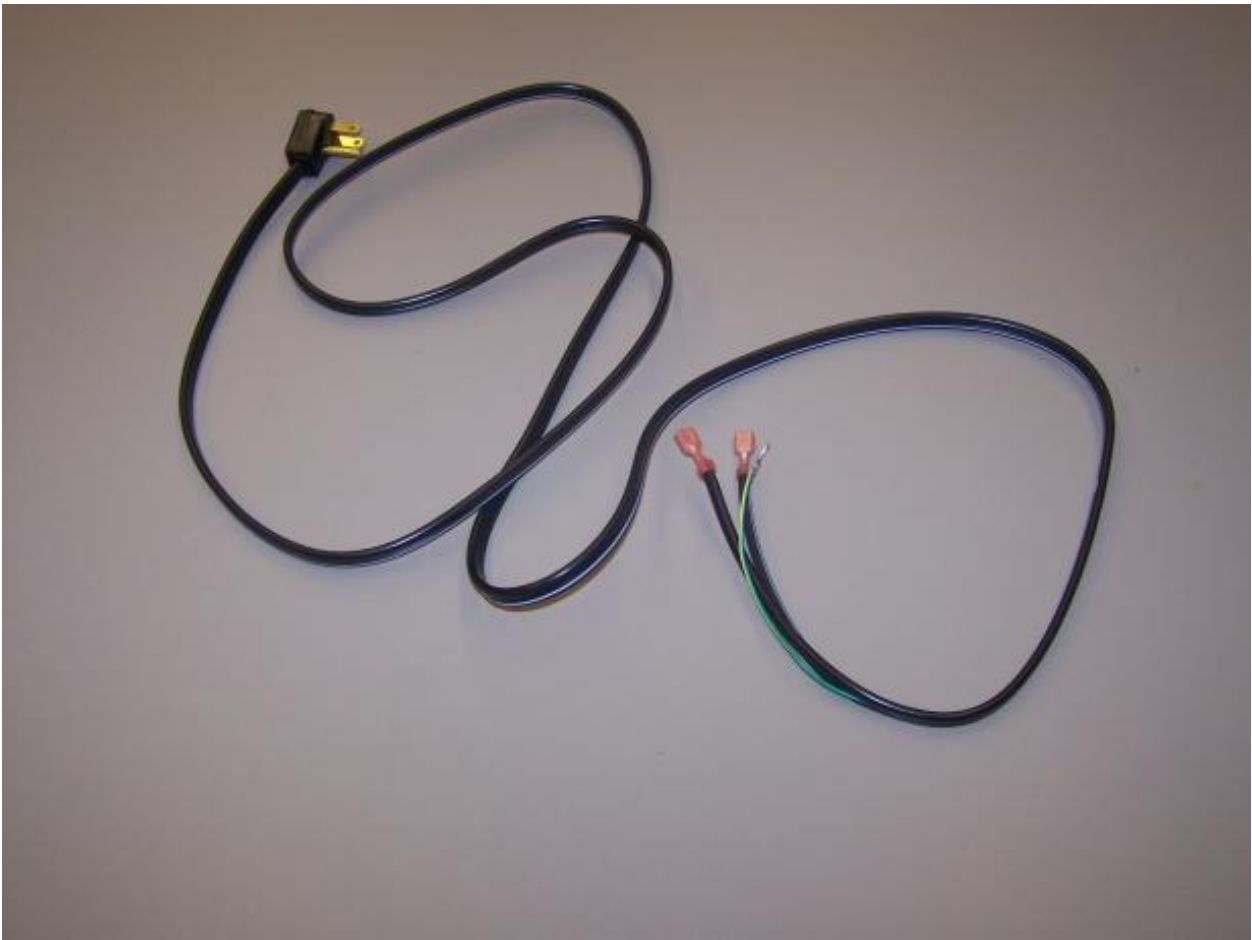


Ref #	Part Number	Qty.	Description
1	PE970609		HARNESS CONTROL BOARD

*No Image  
Available*

Ref #	Part Number	Qty.	Description
1	PE970641		JUMPER FAN RESISTOR





Ref #	Part Number	Qty.	Description
1	10916507		TUBE-PROCESS GRN