

This Owner's Manual is provided and hosted by [Appliance Factory Parts](#).



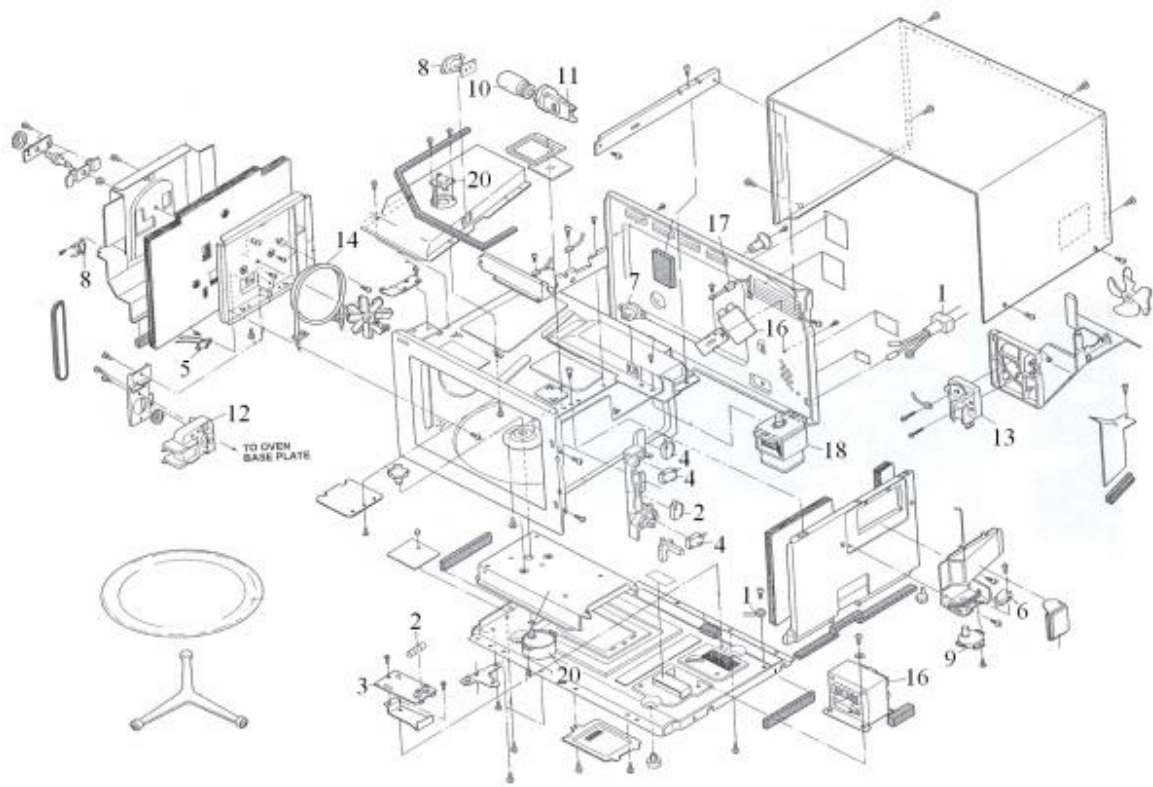
VIKING VMOC205 Owner's Manual

[Shop genuine replacement parts for VIKING VMOC205](#)

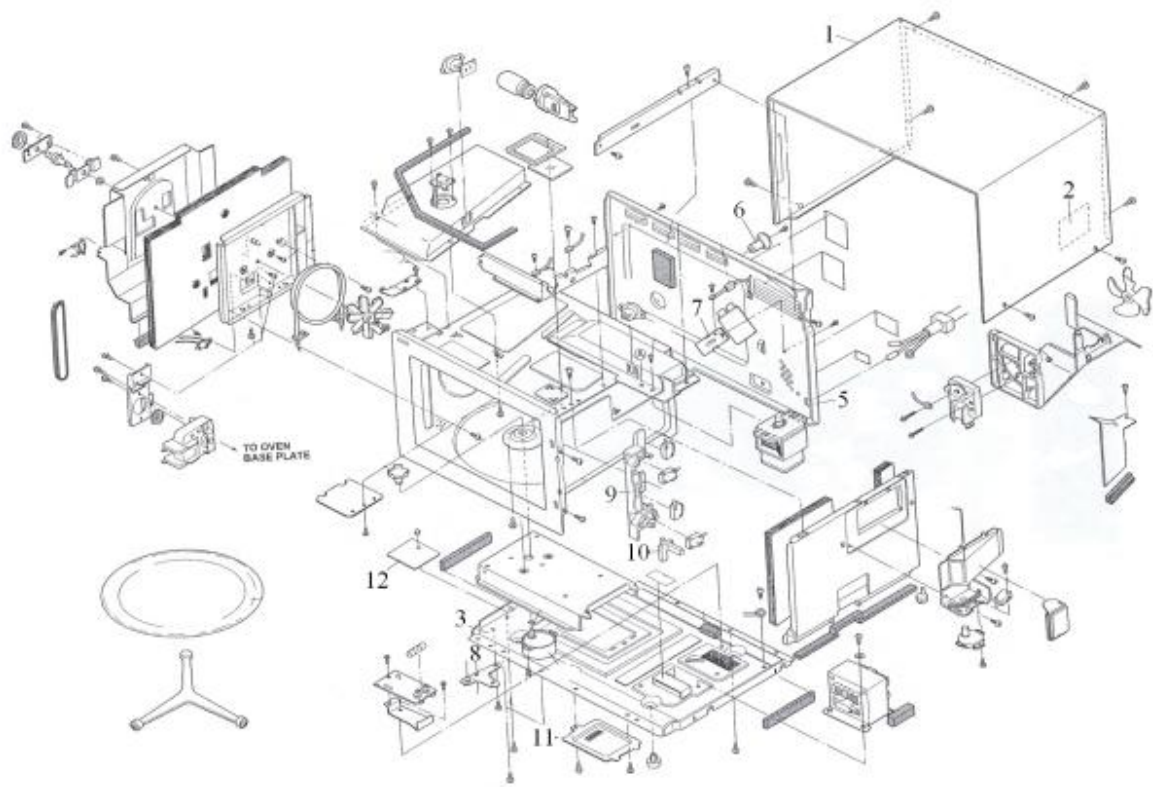


[Find Your VIKING Microwave Parts - Select From 37 Models](#)

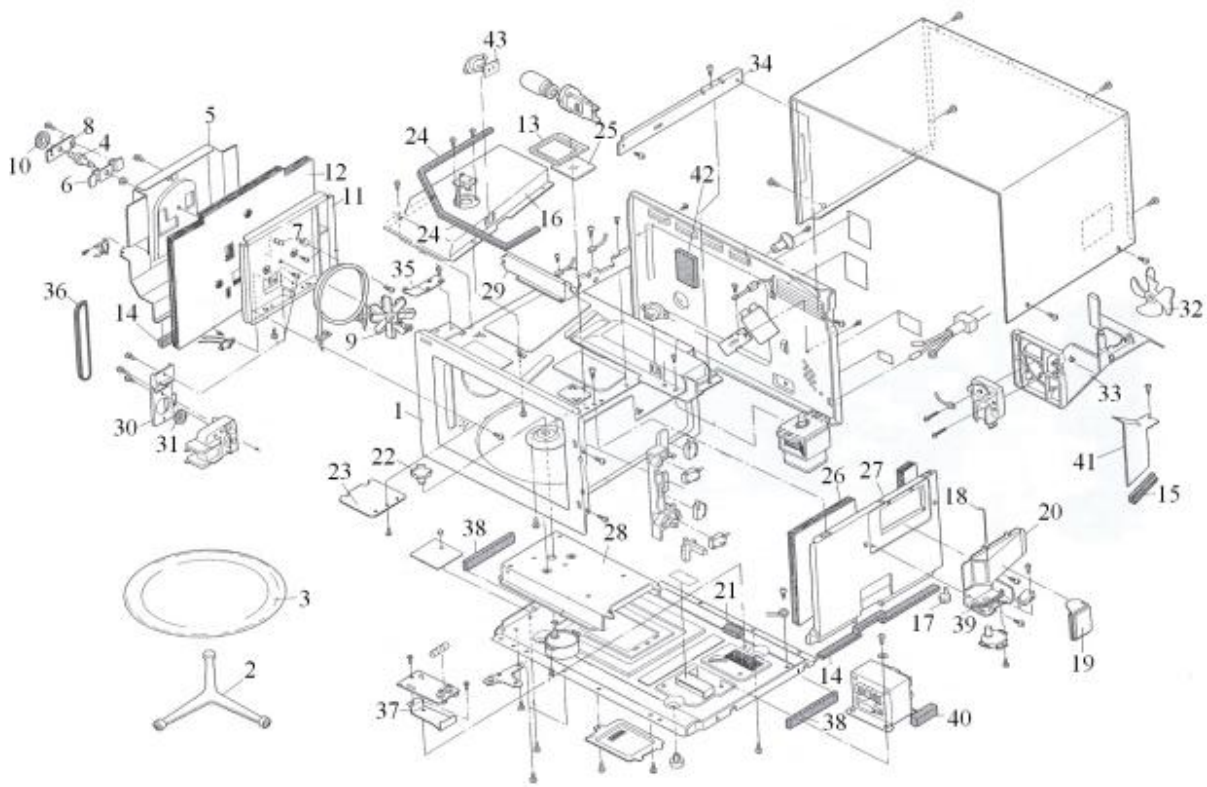
----- Manual continues below -----



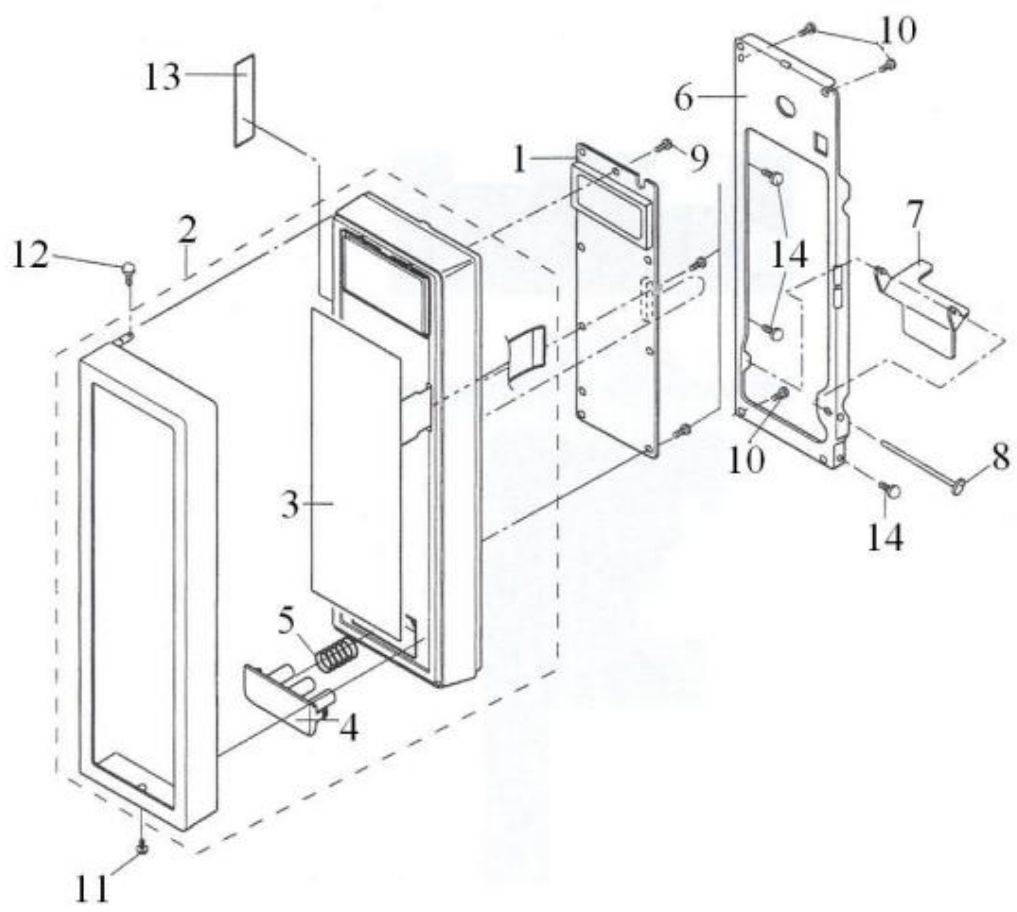
Ref #	Part Number	Qty.	Description
1	PM100029		POWER SUPPLY CORD
2	PM100030		MONITOR FUSE 20A & MONITOR SWITCH
3	PM100031		NOISE FILTER
4	PM100032		N.O. MICRO SWITCH
5	PM100033		THERMISTOR
6	PM100034		DAMPER SWITCH
7	PM100035		MAGNETRON THERMAL CUT-OUT 125C
8	PM100036		OVEN & CONVECTION THERMAL CUT-OUT 150C
9	PM100037		DAMPER MOTOR
10	PM100038		OVEN LAMP
11	PM100039		OVEN LAMP SOCKET
12	PM100040		CONVECTION FAN MOTOR
13	PM100041		FAN MOTOR
14	PM100042		HEATING ELEMENT
15	PM100043		POWER TRANSFORMER
16	PM100044		H.V. CAPACITOR (INTERCHANGEABLE)
17	PM100045		H.V. RECTIFIER ASSEMBLY
18	PM100046		MAGNETRON
19	PM100048		TURNTABLE MOTOR
20	PM100049		AH SENSOR ASSEMBLY



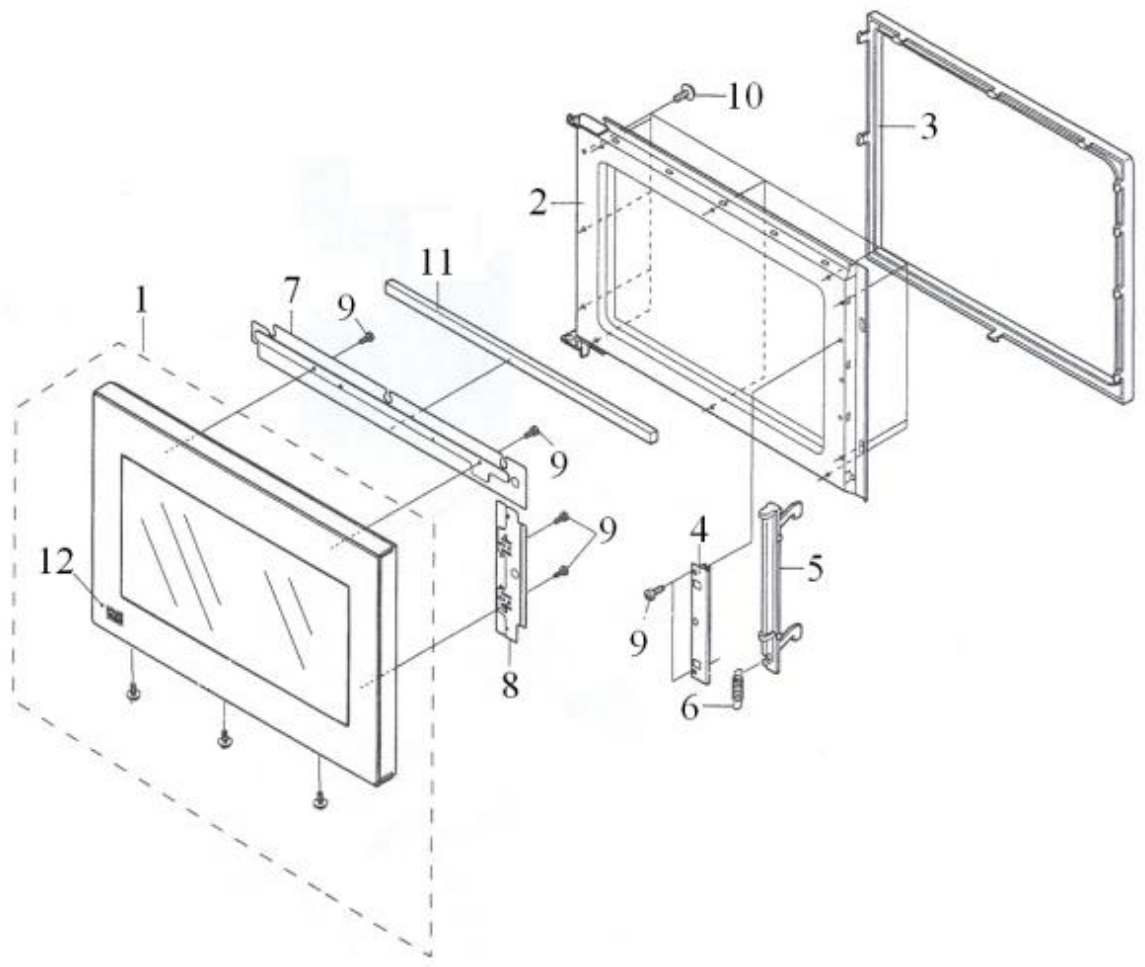
Ref #	Part Number	Qty.	Description
1	PM110022		OUTER CASE CABINET
2	PM120041		SCHEMATIC DIAGRAM
3	NOT REPLACEABLE		OVEN CAVITY (NOT REPLACEABLE PART)
4	PM110023		FOOT
5	NOT REPLACEABLE		OVEN CAVITY (NOT REPLACEABLE PART)
6	PM100050		CORD HOLDER
7	PM100051		CAPACITOR HOLDER
8	PM110024		OVEN HINGE (LOWER)
9	PM120042		LATCH HOOK
10	PM120043		SWITCH LEVER (MLEVPA231WRF0)
11	PM110025		TURNTABLE MOTOR COVER
12	PM110026		CSA BARRIER



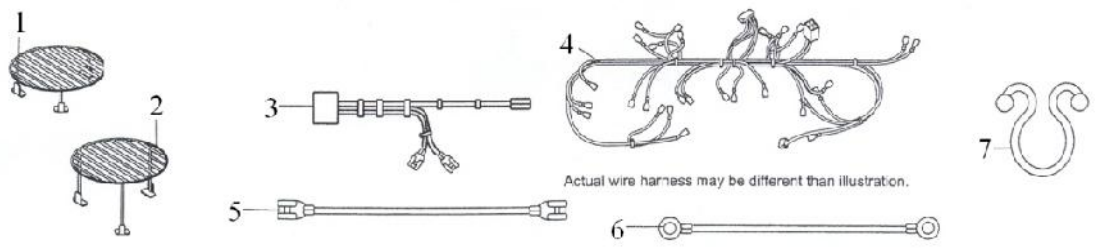
Ref #	Part Number	Qty.	Description
1	NOT REPLACEABLE		OVEN CAVITY (NOT REPLACEABLE PART)
2	PM110030		TURNTABLE SUPPORT
3	PM110031		TURNTABLE TRAY
4	PM110032		BEARING ASSY
5	PM110033		THERMAL PROTECTION PLATE (LEFT)
6	PM110034		BEARING MOUNTING PLATE
7	PM100055		HEATER ELEMENT HOLDER
8	PM110035		BEARING HOLDER PLATE
9	PM100056		CONVECTION FAN
10	PM100057		PULLEY (F)
11	PM120049		HEATER DUCT ASSEMBLY
12	PM110036		THERMAL PROTECTION SHEET (LEFT)
13	PM110037		GLASS MOUNTING PLATE
14	PM120050		CUSHION
15	PM120051		CUSHION
16	PM120052		STEAM DUCT ASSEMBLY
17	PM120053		DAMPER CAM
18	PM120054		DAMPER SHAFT
19	PM120055		DAMPER DOOR ASSY
20	PM120056		DAMPER DUCT
21	PM120057		CUSHION
22	PM110038		TURNTABLE COUPLING
23	PM110039		WAVEGUIDE COVER
24	PM120058		CUSHION
25	PM110040		LIGHT GLASS
26	PM110041		THERMAL PROTECTION SHEET (RIGHT)
27	PM110042		THERMAL PROTECTION PLATE (RIGHT)
28	PM110043		AIR GUIDE (BOTTOM)
29	PM110044		AIR GUIDE (RIGHT)
30	PM110045		CONVECTION MOTOR MOUNTING PLATE
31	PM100058		PULLEY (M)
32	PM110046		FAN BLADE
33	PM120059		COOLING FAN DUCT
34	PM110047		CHASSIS SUPPORT
35	PM110048		OVEN HINGE (UPPER)
36	PM110049		CONVECTION FAN BELT
37	PM110016		ANGLE
38	PM120060		CUSHION
39	PM120061		DAMPER DUCT CUSHION
40	PM120062		CUSHION
41	PM110050		MAGNETRON AIR GUIDE
42	PM110051		THERMAL PROTECTION SHEET
43	PM110052		THERMO COVER



Ref #	Part Number	Qty.	Description
1	PM100052		CONTROL UNIT
2	PM100053	1	CONTROL PANEL FRAME WITH KEY UNIT
	001916-002	1	CONTROL PANEL FRAME WITH KEY UNIT (VMOC206BK)
	001916-006	1	CONTROL PANEL FRAME W/KEY UNIT
	001916-007	1	CONTROL PANEL FRAME W/KEY UNIT
	001916-003	1	CONTROL PANEL FRAME W/KEY UNIT
	001916-004	1	CONTROL PANEL FRAME WITH KEY UNIT (VMOC206SG)
	001916-005	1	CONTROL PANEL FRAME W/KEY UNIT
	001916-008	1	CONTROL PANEL FRAME W/KEY UNIT
	001916-009	1	CONTROL PANEL FRAME W/KEY UNIT
	001916-010	1	CONTROL PANEL FRAME W/KEY UNIT
	001916-011	1	CONTROL PANEL FRAME W/KEY UNIT
	001916-012	1	CONTROL PANEL FRAME W/KEY UNIT
	001916-013	1	CONTROL PANEL FRAME W/KEY UNIT
	001916-014	1	CONTROL PANEL FRAME W/KEY UNIT
	001916-016	1	CONTROL PANEL FRAME W/KEY UNIT-CH
	001916-018	1	CONTROL PANEL FRAME WITH KEY UNIT-CW
3	PM100054		KEY UNIT
4	PM110027		OPEN BUTTON
5	PM120044		OPEN BUTTON SPRING
6	PM110028		CONTROL PANEL BACK PLATE
7	PM120045		OPEN LEVER
8	PM120046		OPEN SHAFT
9	PM120026		SCREW
10	PM120047		SCREW; CONTROL PANEL BACK PLATE MTG.
11	PM120033		SCREW ; CONTROL PANEL MTG.
12	PM120029		SCREW
13	PM120021		USER CAUTION LABEL
14	PM120028		SCREW W/WASHER



Ref #	Part Number	Qty.	Description
1	PM110053		DOOR FRAME
	001917-002		DOOR PANEL ASSEMBLY COMPLETE
	001917-006		DOOR PANEL ASSEMBLY COMPLETE
	001917-007		DOOR PANEL ASSEMBLY COMPLETE
	001917-003		DOOR PANEL ASSEMBLY COMPLETE
	001917-004		DOOR PANEL ASSEMBLY COMPLETE
	001917-005		DOOR PANEL ASSEMBLY COMPLETE
	001917-008		DOOR PANEL ASSEMBLY COMPLETE
	001917-009		DOOR PANEL ASSEMBLY COMPLETE
	001917-010		DOOR PANEL ASSEMBLY COMPLETE
	001917-011		DOOR PANEL ASSEMBLY COMPLETE
	001917-012		DOOR PANEL ASSEMBLY COMPLETE
	001917-013		DOOR PANEL ASSEMBLY COMPLETE
	001917-014		DOOR PANEL ASSEMBLY COMPLETE
	001917-016		DOOR PANEL ASSEMBLY COMPLETE-CH
	001917-018		DOOR PANEL ASSEMBLY COMPLETE-CW
2	PM110054		DOOR PANEL
3	PM110055		CHOKE COVER
4	PM110056		LATCH ANGLE
5	PM120064		LATCH HEAD
6	PM120065		LATCH HEAD SPRING
7	PM110062		THERMAL PLATE U
8	PM110063		THERMAL PLATE R
9	PM120066		SPECIAL SCREW
10	PM120067		SCREW; 3MM X 8MM
11	PM120100		CUSHION
12	PM110011		BADGE



Ref #	Part Number	Qty.	Description
1	PM110057		LOW RACK (BROILING TRIVET)
2	PM110058		HIGH RACK (BAKING RACK)
3	PM100059		THERMISTOR HARNESS
4	PM100060		MAIN WIRE HARNESS
5	PM100061		HIGH VOLTAGE WIRE B
6	PM100062		GROUNDING WIRE (COOLING FAN MOTOR)
7	PM120072		PURSE LOCK LL
NI	049104-000	1	CONVECTION MW TURNTABLE PLATE O-RING KIT