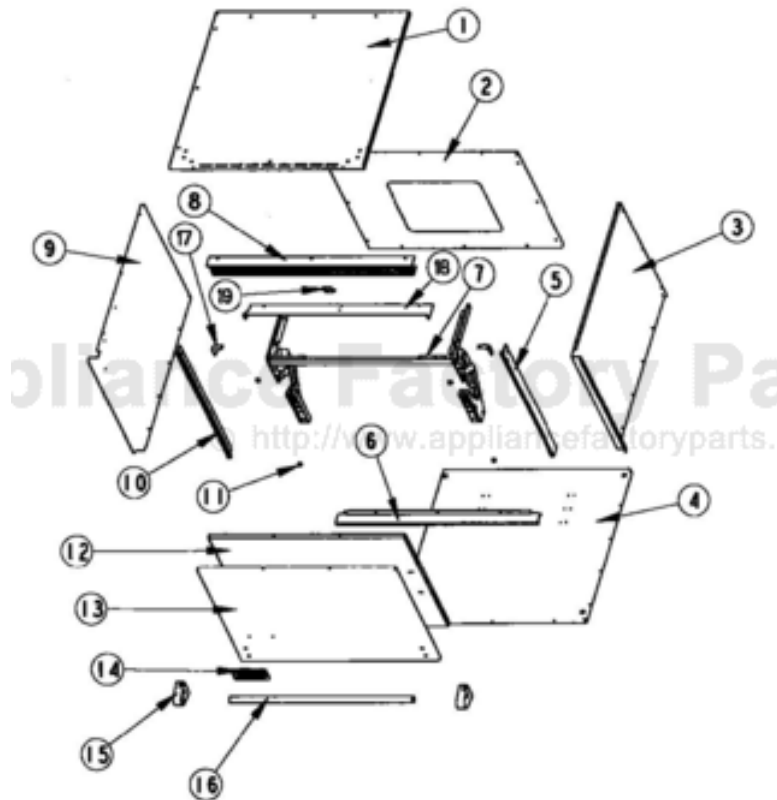


This Owner's Manual is provided and hosted by [Appliance Factory Parts](http://www.appliancefactoryparts.com).



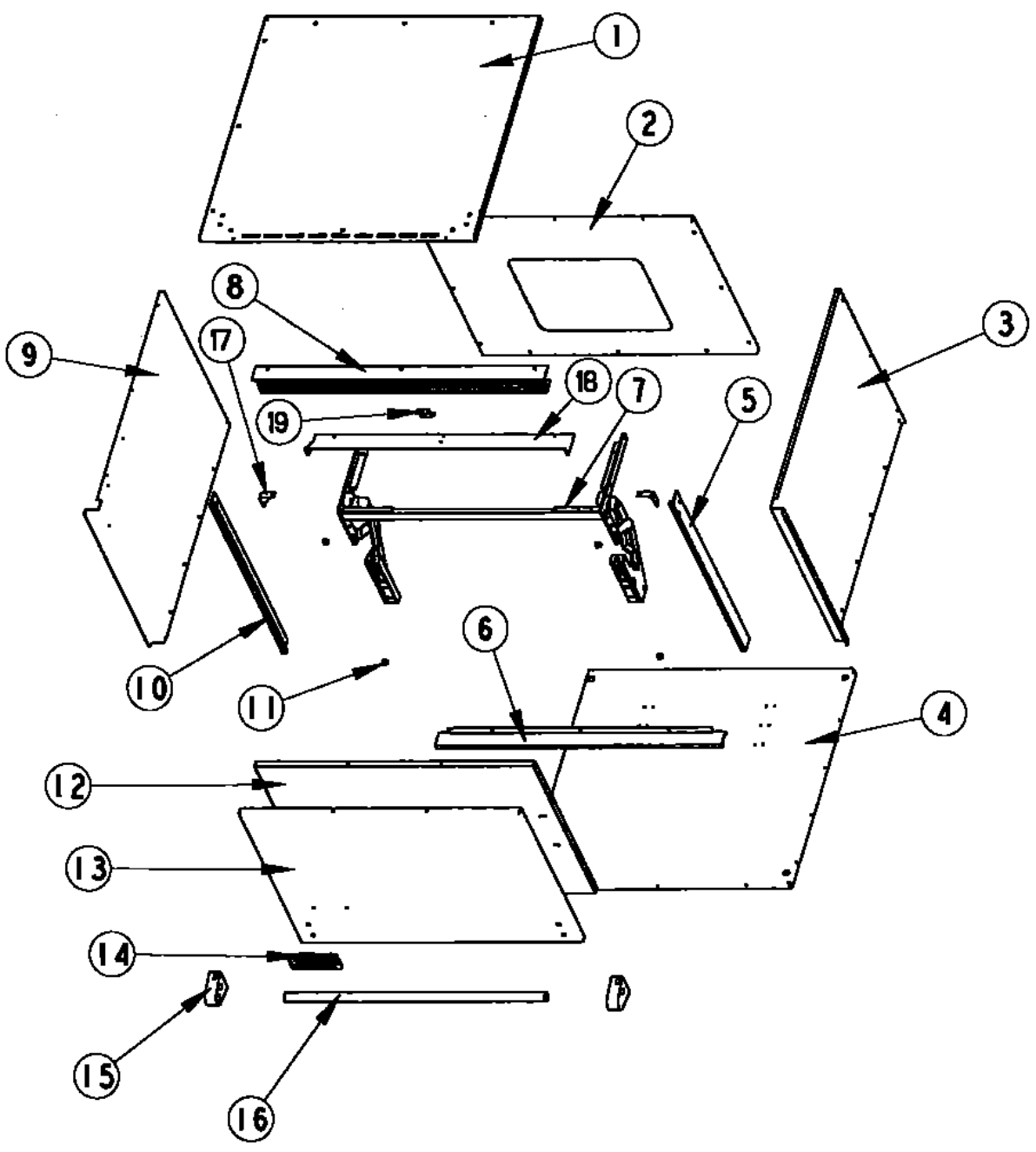
VIKING VMWC161 Owner's Manual

[Shop genuine replacement parts for VIKING VMWC161](#)



[Find Your VIKING Microwave Parts - Select From 37 Models](#)

----- Manual continues below -----



Ref #	Part Number	Qty.	Description
1	B2005632		CABINET TOP 36 (VMWC)
2	B2005633		CABINET BACK 36 (VMWC)
3	B2005626		CABINET SIDE RH (VMWC171)
4	B2005631		MAIN BTM 36 VMWC
5	PE040105		SIDE TRIM- RH (VMWC)
6	PE040108		BTM TRIM (VMWC161)
7	PC020028		UP-SWING HINGE (VMWC161) (SERVICE)
8	PE040027		TOP TRIM (VGSO166)
9	B2005627		CABINET SIDE LH (VMWC171)
10	PE040106		SIDE TRIM - LH (VMWC)
11	PD040004		GROMMET BUMPER
12	B2005612		INSIDE DOOR SKIN 36
13	B2005611		OUTER DOOR SKIN 36
	C9005611AL		OUTER DOOR SKIN 36
	C9005611BK		OUTER DOOR SKIN 36
	C9005611BT		OUTSIDE DOOR SKIN - BT
	C9005611BU		OUTER DOOR SKIN 36
	C9005611CB		OUTSIDE DOOR SKIN - CB
	C9005611EP		OUTSIDE DOOR SKIN - EP
	C9005611FG		OUTER DOOR SKIN 36
	C9005611GG		OUTER DOOR SKIN 36
	C9005611LE		OUTSIDE DOOR SKIN - LE
	C9005611LN		OUTER DOOR SKIN 36
	C9005611MJ		OUTSIDE DOOR SKIN - MJ
	C9005611PL		OUTER DOOR SKIN 36
	C9005611SG		OUTSIDE DOOR SKIN - SG
	C9005611VB		OUTER DOOR SKIN 36
	C9005611WH		OUTER DOOR SKIN 36
14	PE010016		NAMEPLATE, LOGO, PRO
	PE010079		4.5 LOGO/VIKING PROF, BK/BR
	PE010017		LOGO (VGSO,VEDO,VGDO,VUD) XWH/CHR
	PE010080		4.5 LOGO/VIKING PROF XWH/BR
15	PE030001		BRACKET, DOOR, HANDLE
	PE030001PVD		END CAP DOOR HANDLE XBR
16	PE030087		SUB TO PE030006 - DR HND VMWC161
	PE030087PVD		SUB TO PE030013PVD - DR HND VMWC161
17	A2002247		TRIM CORNER BRKT (VGSO166)
18	A2003118		CABINET VENT-36` (VMWC)
19	A2003119		TOP TRIM BRKT (VMWC)
NI	PD020032		SRW-8(A)X3/8PH.WFR HD 7/16DIAXNICL
NI	PD020055		NO.10 X 1/2 PAN PHIL. TEK. SS
NI	G3205638AL		DOOR ASSY-36W XALX (VMWC)
	G3205638ALBR		DOOR ASSY-36W XALX XBRX (VMWC)
	G3205638BK		DOOR ASSY-36W XBKX (VMWC)
	G3205638BKBR		DOOR ASSY-36W XBKX XBRX (VMWC)
	G3205638BT		COMPLETE DOOR ASSY - BT
	G3205638BTBR		COMPLETE DOOR ASSY - BTBR
	G3205638BU		DOOR ASSY-36W XBUX (VMWC)
	G3205638BUBR		DOOR ASSY-36W XBUX XBRX (VMWC)
	G3205638CB		COMPLETE DOOR ASSY - CB
	G3205638CBBR		COMPLETE DOOR ASSY - CBBR
	G3205638EP		COMPLETE DOOR ASSY - EP
	G3205638EPBR		COMPLETE DOOR ASSY - EPBR
	G3205638FG		DOOR ASSY-36W XFGX (VMWC)
	G3205638FGBR		DOOR ASSY-36W XFGX XBRX (VMWC)
	G3205638GG		DOOR ASSY-36W XGGX (VMWC)
	G3205638GGBR		DOOR ASSY-36W XGGX XBRX (VMWC)
	G3205638LE		COMPLETE DOOR ASSY - LE
	G3205638LEBR		COMPLETE DOOR ASSY - LEBR
	G3205638LN		DOOR ASSY-36W XLNX (VMWC)

Ref #	Part Number	Qty.	Description
	G3205638LN		DOOR ASSY-36W XLNX (VMWC)
	G3205638LNBR		DOOR ASSY-36W XLNX XBRX (VMWC)
	G3205638MJ		COMPLETE DOOR ASSY - MJ
	G3205638MJBR		COMPLETE DOOR ASSY - MJBR
	G3205638PL		DOOR ASSY-36W XPLX (VMWC)
	G3205638PLBR		DOOR ASSY -36W XPLX XBRX (VMWC)
	G3205638SG		COMPLETE DOOR ASSY - SG
	G3205638SGBR		COMPLETE DOOR ASSY - SGBR
	G3205638SS		DOOR ASSY-36W XSSX (VMWC)
	G3205638SSBR		DOOR ASSY-36W XSSX XBRX (VMWC)
	G3205638VB		DOOR ASSY-36W XVBX (VMWC)
	G3205638VBBR		DOOR ASSY-36W XVBX XBRX (VMWC)
	G3205638WH		DOOR ASSY-36W XWHX (VMWC)
	G3205638WHBR		DOOR ASSY-36W XWHX XBRX (VMWC)
NI	B2003127		TOP DOOR STOP - 36 (VMWC)