

This Owner's Manual is provided and hosted by [Appliance Factory Parts](#).



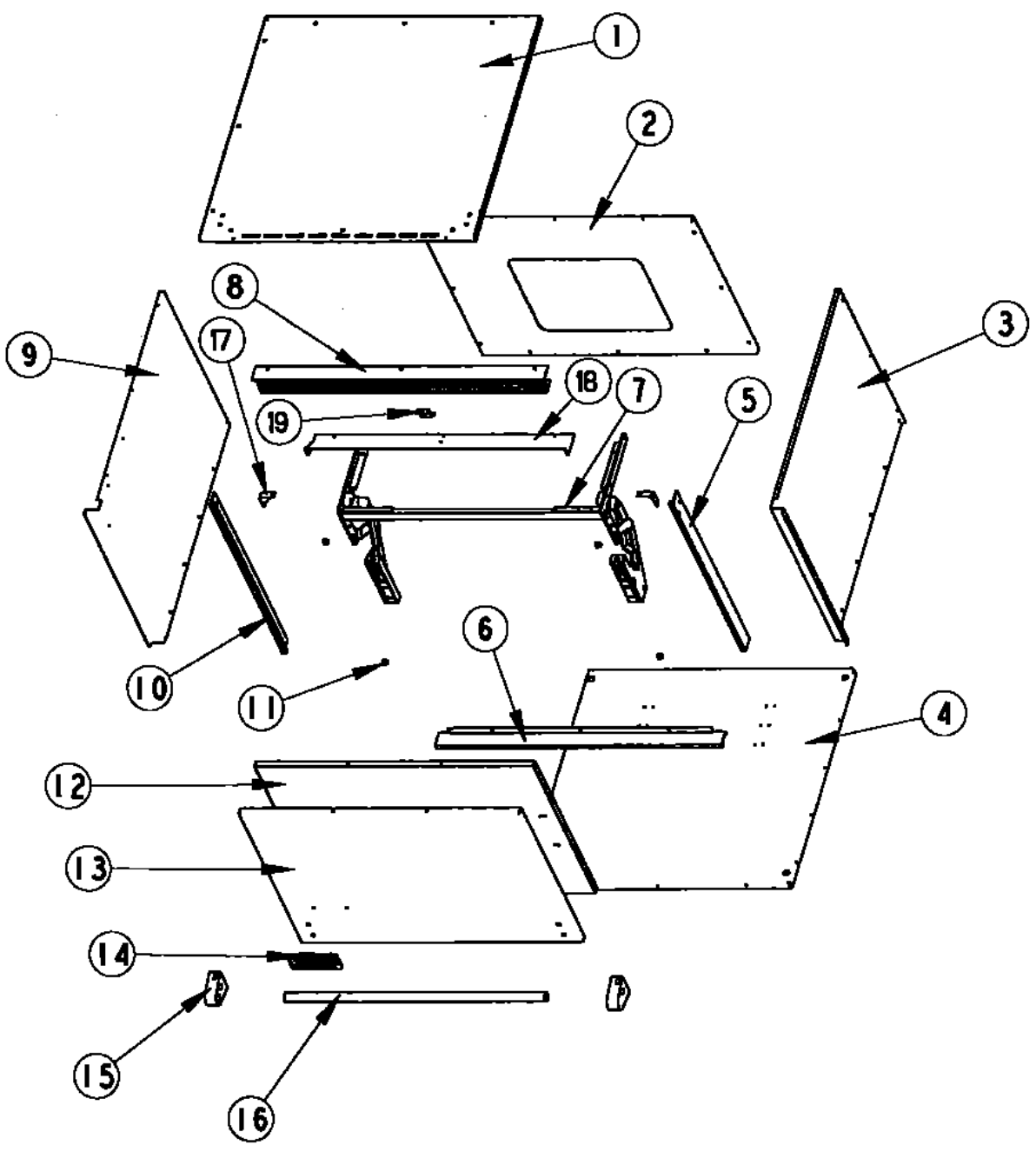
VIKING VMWC171 Owner's Manual

[Shop genuine replacement parts for VIKING VMWC171](#)



[Find Your VIKING Microwave Parts - Select From 37 Models](#)

----- Manual continues below -----



Ref #	Part Number	Qty.	Description
1	B2003132		CABINET TOP - 27 (VMWC)
2	B2003133		CABINET BACK - 27 (VMWC)
3	B2005626		CABINET SIDE RH (VMWC171)
4	B2005630		MAIN BTM 27 VMWC171
5	PE040105		SIDE TRIM- RH (VMWC)
6	PE040109		BTM TRIM (VMWC171)
7	PC020024		UP-SWING HINGE (VMWC171) (SERVICE)
8	PE040093		TOP TRIM (VMWC170)
9	B2005627		CABINET SIDE LH (VMWC171)
10	PE040106		SIDE TRIM - LH (VMWC)
11	PD040004		GROMMET BUMPER
12	B2005608		INSIDE DOOR SKIN 27
13	B2005609		OUTER DOOR SKIN 27
	C9005609AL		OUTER DOOR SKIN 27
	C9005609BK		OUTER DOOR SKIN 27
	C9005609BT		OUTSIDE DOOR SKIN - BT
	C9005609BU		OUTER DOOR SKIN 27
	C9005609CB		OUTSIDE DOOR SKIN - CB
	C9005609EP		OUTSIDE DOOR SKIN - EP
	C9005609FG		OUTER DOOR SKIN 27
	C9005609GG		OUTER DOOR SKIN 27
	C9005609LE		OUTSIDE DOOR SKIN - LE
	C9005609LN		OUTER DOOR SKIN 27
	C9005609MJ		OUTSIDE DOOR SKIN - MJ
	C9005609PL		OUTER DOOR SKIN 27
	C9005609SG		OUTSIDE DOOR SKIN - SG
	C9005609VB		OUTER DOOR SKIN 27
	C9005609WH		OUTER DOOR SKIN 27
14	PE010016		NAMEPLATE, LOGO, PRO
	PE010079		4.5 LOGO/VIKING PROF, BK/BR
	PE010017		LOGO (VGSO,VEDO,VGDO,VUD) XWH/CHR
	PE010080		4.5 LOGO/VIKING PROF XWH/BR
15	PE030001		BRACKET, DOOR, HANDLE
	PE030001PVD		END CAP DOOR HANDLE XBR
16	PE030088		SUB TO F0006252 - DR HDLVMWC171 23 3/8
	PE030012PVD		DOOR HANDLE - RH - (30/48) PVD
17	A2002247		TRIM CORNER BRKT (VGSO166)
18	A2003134		VENT - 27`` (VMWC)
19	A2003119		TOP TRIM BRKT (VMWC)
NI	PD020032		SRW-8(A)X3/8PH.WFR HD 7/16DIAXNICL
NI	PD020055		NO.10 X 1/2 PAN PHIL. TEK. SS
NI	G3205607AL		DOOR ASSY 27W XALX (VMWC)
	G3205607ALBR		DOOR ASSY-27W XALX XBRX (VMWC)
	G3205607BK		DOOR ASSY-27 XBKX (VMWC)
	G3205607BKBR		DOOR ASSY-27W XBKX XBRX (VMWC)
	G3205607BT		COMPLETE DOOR ASSY - BT
	G3205607BTBR		COMPLETE DOOR ASSY - BTBR
	G3205607BU		DOOR ASSY-27 XBUX (VMWC)
	G3205607BUBR		DOOR ASSY-27W XBUX XBRX (VMWC)
	G3205607CB		COMPLETE DOOR ASSY - CB
	G3205607CBBR		COMPLETE DOOR ASSY - CBBR
	G3205607EP		COMPLETE DOOR ASSY - EP
	G3205607EPBR		COMPLETE DOOR ASSY - EPBR
	G3205607FG		DOOR ASSY-27W XFGX (VMWC)
	G3205607FGBR		DOOR ASSY-27W XFGX XBRX (VMWC)
	G3205607GG		DOOR ASSY -27W XGGX (VMWC)
	G3205607GGBR		DOOR ASSY-27W XGGX XBRX (VMWC)
	G3205607LE		COMPLETE DOOR ASSY - LE
	G3205607LEBR		COMPLETE DOOR ASSY - LEBR
	G3205607LN		DOOR ASSY-27W XLNX (VMWC)

Ref #	Part Number	Qty.	Description
	G3205607LN		DOOR ASSY-27W XLNX (VMWC)
	G3205607LNBR		DOOR ASSY-27W XLNX XBRX (VMWC)
	G3205607MJ		COMPLETE DOOR ASSY - MJ
	G3205607MJBR		COMPLETE DOOR ASSY - MJBR
	G3205607PL		DOOR ASSY-27W XPLX (VMWC)
	G3205607PLBR		DOOR ASSY-27W XPLX XBRX (VMWC)
	G3205607SG		COMPLETE DOOR ASSY - SG
	G3205607SGBR		COMPLETE DOOR ASSY - SGBR
	G3205607SS		DOOR ASSY -27W XSSX (VMWC)
	G3205607SSBR		DOOR ASSY-27W XSSX XBRX (VMWC)
	G3205607VB		DOOR ASSY- 27W XVBX (VMWC)
	G3205607VBBR		DOOR ASSY -27W XVBX XBRX (VMWC)
	G3205607WH		DOOR ASSY-27W XWHX (VMWC)
	G3205607WHBR		DOOR ASSY-27W XWHX XBRX (VMWC)
NI	B2003135		TOP DOOR STOP - 27 (VMWC)