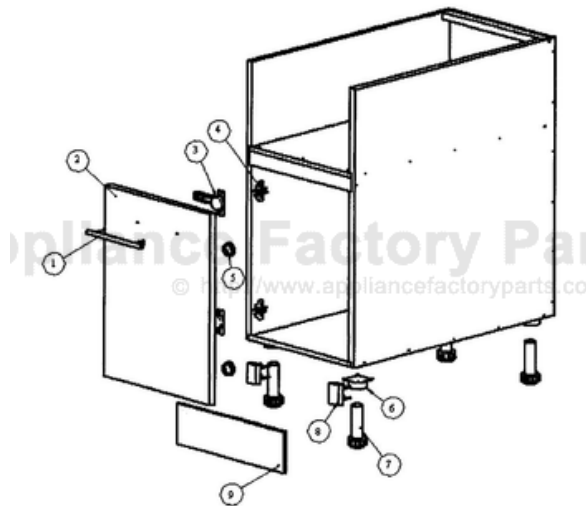


This Owner's Manual is provided and hosted by [Appliance Factory Parts](#).



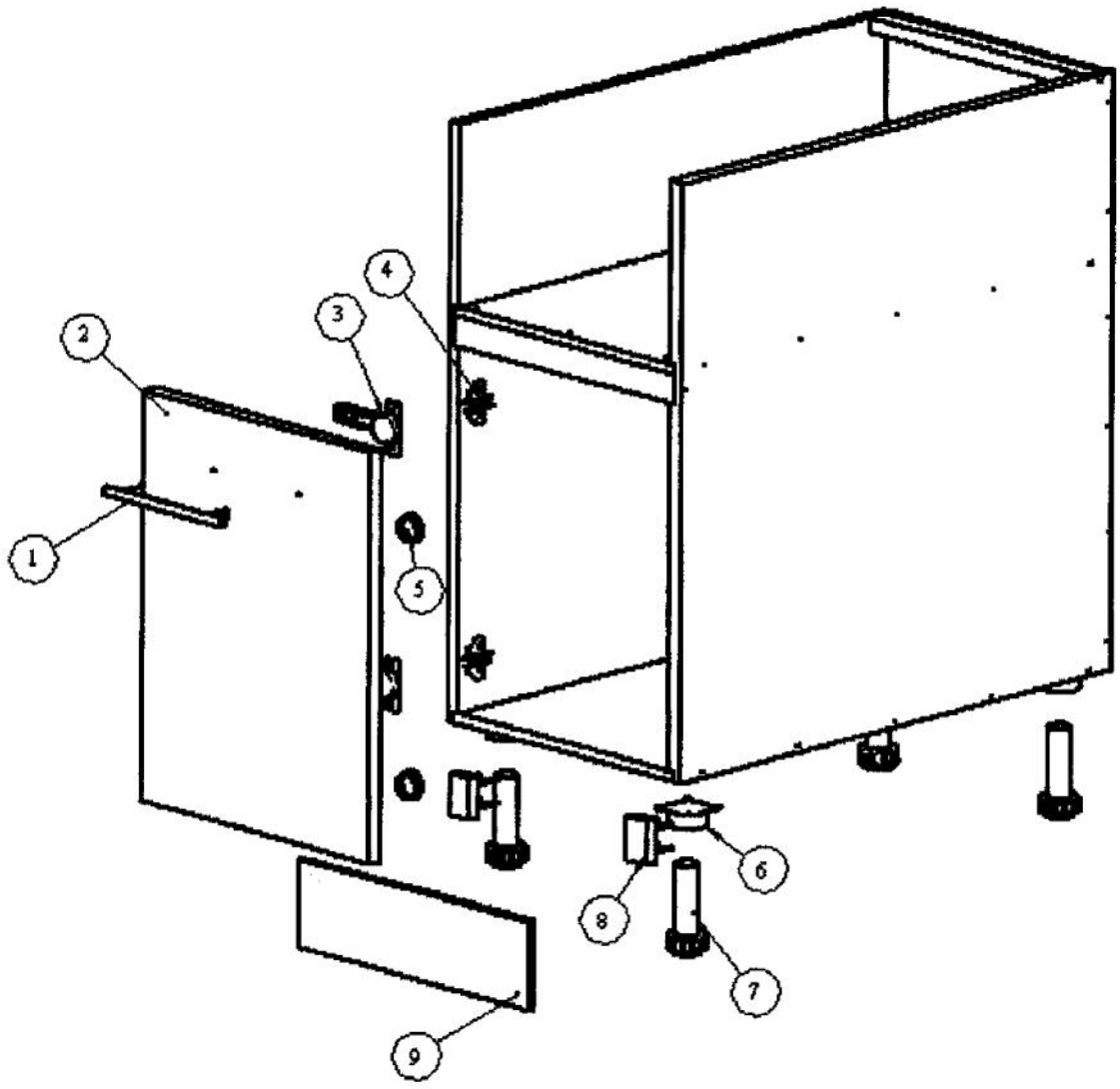
VIKING VOBB1601SS Owner's Manual

[Shop genuine replacement parts for VIKING
VOBB1601SS](#)



[Find Your VIKING Grill Parts - Select From 210 Models](#)

----- Manual continues below -----



Ref #	Part Number	Qty.	Description
1	PC140013		HANDLE (PULL) (V034)
2	PC140019		DOOR (Y004)
3	PC140001		HINGE (UO32)
4	PC140002		HINGE PLATE (UO33)
5	PC140007		35MM CAP (KO67)
6	PC140003		LEG MOUNT (UO28)
7	PC140004		LEG (UO29)
8	PC140005		TOE CLIP (UO30)
9	PC140020		TOE KICK (Y005)