

This Owner's Manual is provided and hosted by [Appliance Factory Parts](#).



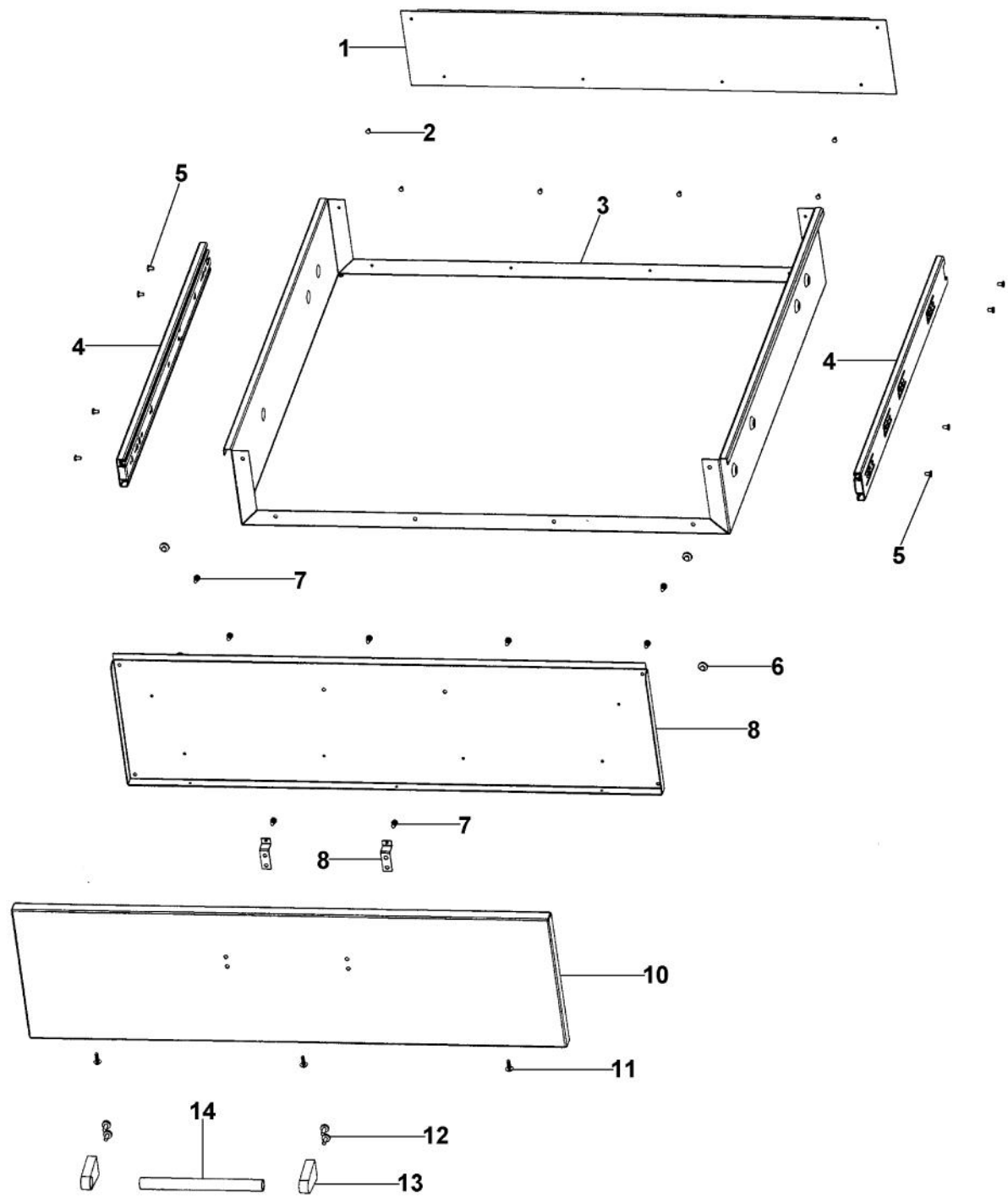
# VIKING VQWO3010 Owner's Manual

**[Shop genuine replacement parts for VIKING  
VQWO3010](#)**

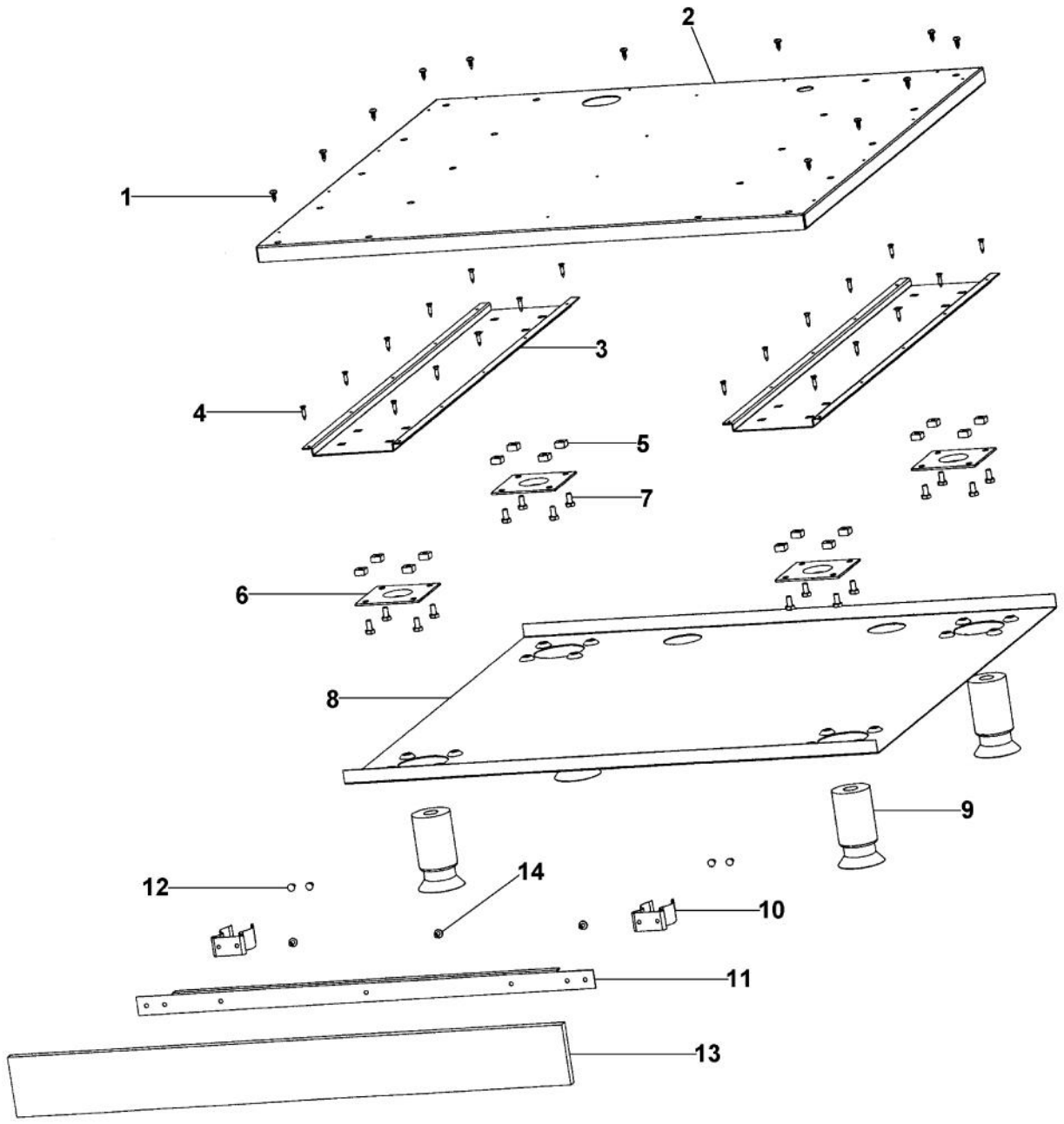


**[Find Your VIKING Grill Parts - Select From 210 Models](#)**

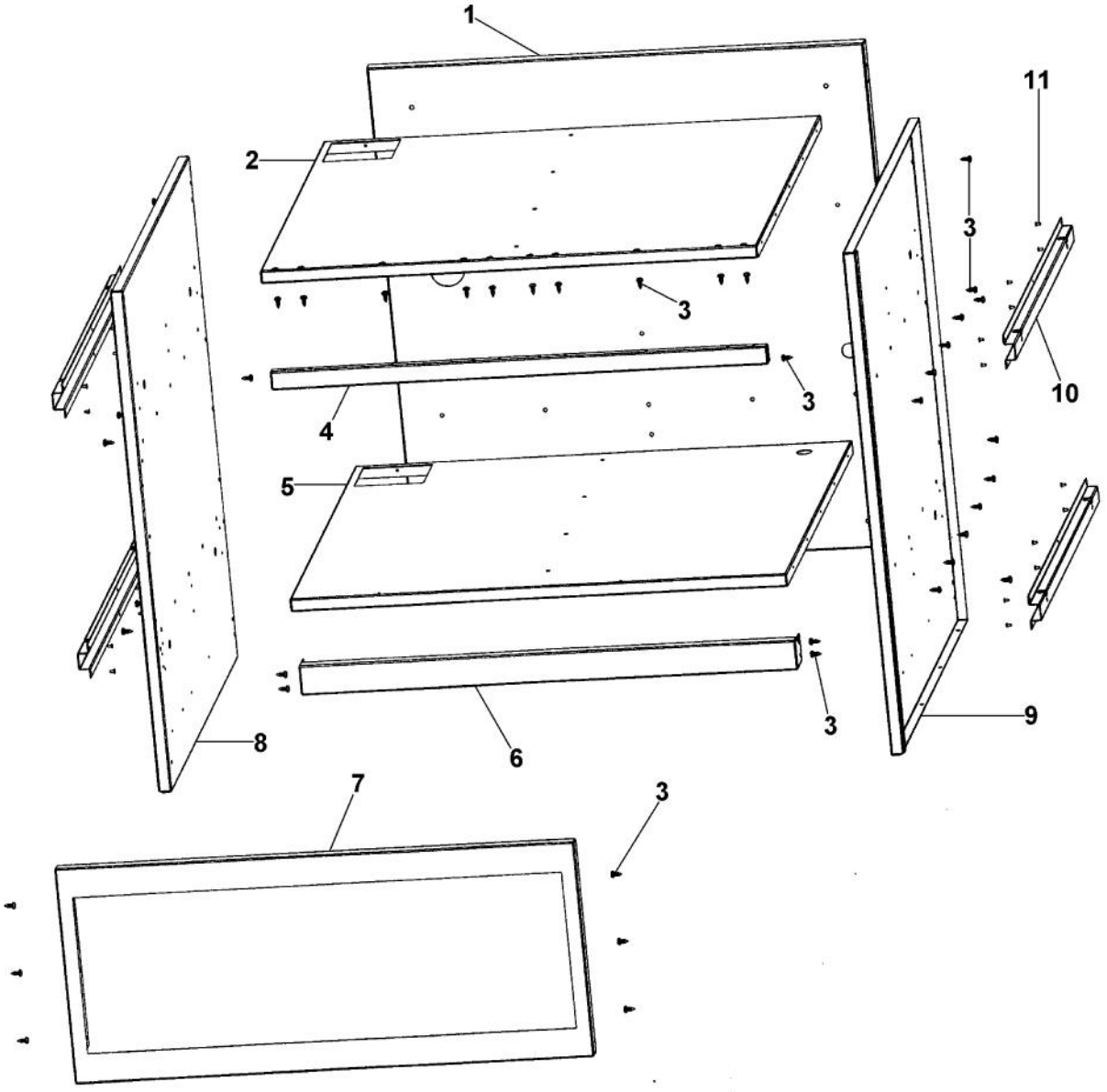
----- Manual continues below -----



Ref #	Part Number	Qty.	Description
1	B20014693		DRAWER REAR (VQWO3010)
2	PC040014		POP RIVOT-SS42 SS
3	B20014692		DRAWER (VQWO3010)
4	PC080010		SLIDE
5	PC040019		POP RIVET ( 0.125 GR X 0.156 DIA )
6	PD040004		GROMMET BUMPER
7	PD020120		8 X 1/2 TEK SHEET METAL SCREW
8	B20014690		INNER DRAER DOOR (VQWO3010)
9	B20013950		HANDLE BRACKET (VBO/VTPO18)
10	B30014689		OUTER DRAWER DOOR (VQWO3010)
11	PD020139		NO.8 X 1/2 P.H. FLAT TOP TRUSS U/C NO.2 TYPE AB 30 SS/...
12	PD020056		NO.10-24 X 1/2 PH.TR. M.S. SS
13	PE030187		ENDCAP, TUBE
14	PE030189		CABINET HANDLE
NI	G32014691SS		DRAWER (VQWO3010)



Ref #	Part Number	Qty.	Description
1	PD020055		NO.10 X 1/2 PAN PHIL. TEK. SS
2	B20013933		MAIN BOTTOM (VQBO3021)
3	A20013935		LEG BRACE (VQBO3021)
4	PD020061		NO.8 X 3/4 FLAT HD TEK. SS.
5	PD030043		1/4-20 CAGE NUT SS
6	PC030007		LEG PLATE - 3/4 THREADED HOLE
7	PD010006		HEX HD. BOLT - 1/4-20 X 1/2
8	B20013934		BOTTOM COVER (VQBO3021)
9	PC030017		4 LEG ASSY
10	PD030002		LOWER ACC PAN SPRING CLAMP (SYWE1)
11	A20014660		KICK PLATE MOUNT BRKT 30
12	PC040003		POP RIVET - SB64 3/16DIA.X 3/8
13	PK030478		KICK PLATE (30) 30.375 X 3.250
14	PD020002		10 X 1/2 PH.TR.HD.SMS.



Ref #	Part Number	Qty.	Description
1	B20013938		REAR WALL (VQBO3021)
2	B20013939		CABINET TOP (VQBO3021)
3	PD020055		NO.10 X 1/2 PAN PHIL. TEK. SS
4	B20014867		TOP SUPPORT
5	B20014695		MIDDLE SUPPORT (VQWO3010)
6	B20014696		DRAWER DIVIDER (VQWO3010)
7	B20014694		FRONT FASCIA
8	B20014688		LH I/S SIDE (VQWO30/41)
9	B20014687		RH I/S SIDE (VQWO30/41)
10	A20013956		MOUNT BRACKET (CABINETS)
11	PC040014		POP RIVOT-SS42 SS