

This Owner's Manual is provided and hosted by [Appliance Factory Parts](#).



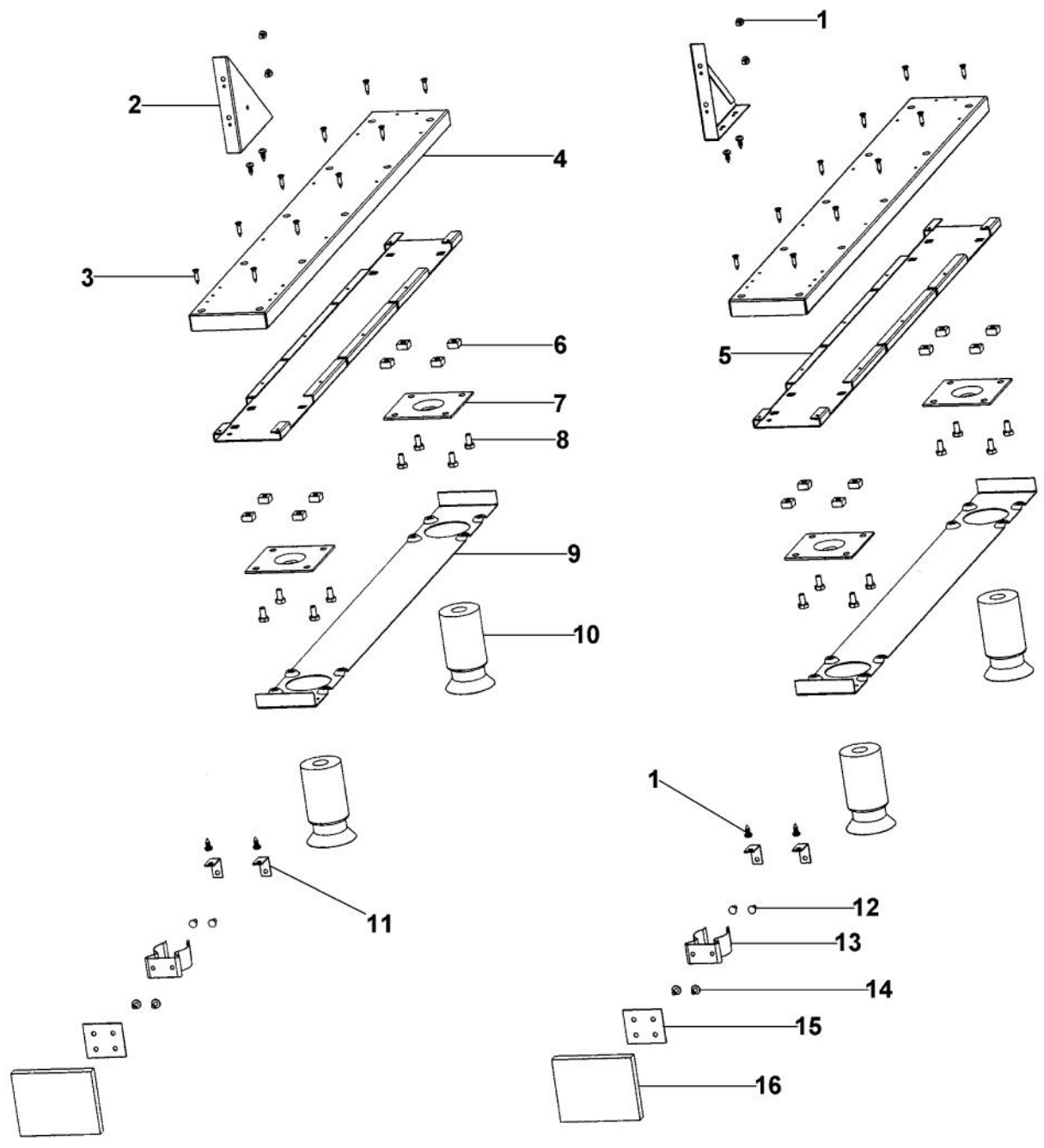
# VIKING VGRO3200 Owner's Manual

[Shop genuine replacement parts for VIKING VGRO3200](#)

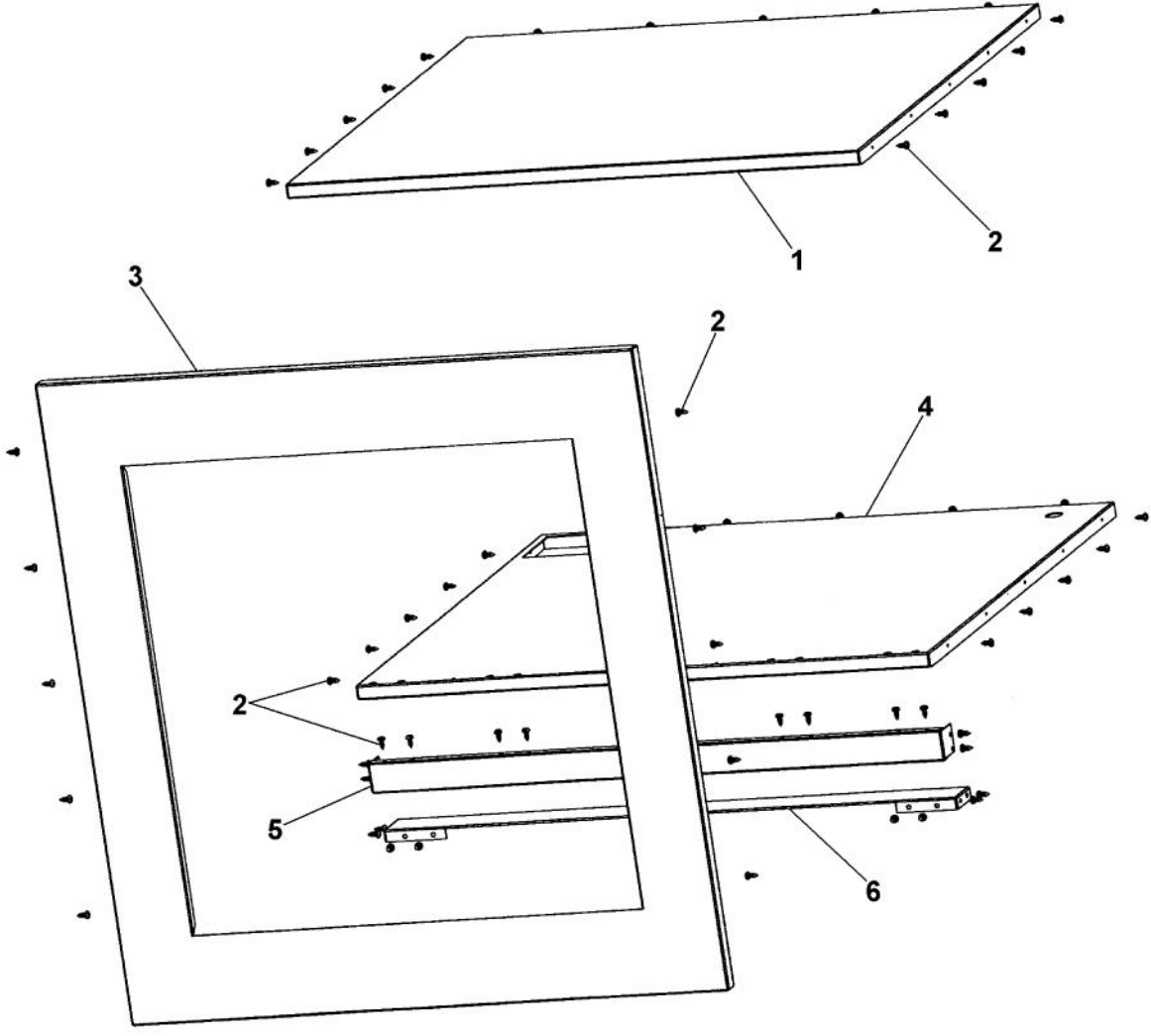


[Find Your VIKING Oven Parts - Select From 98 Models](#)

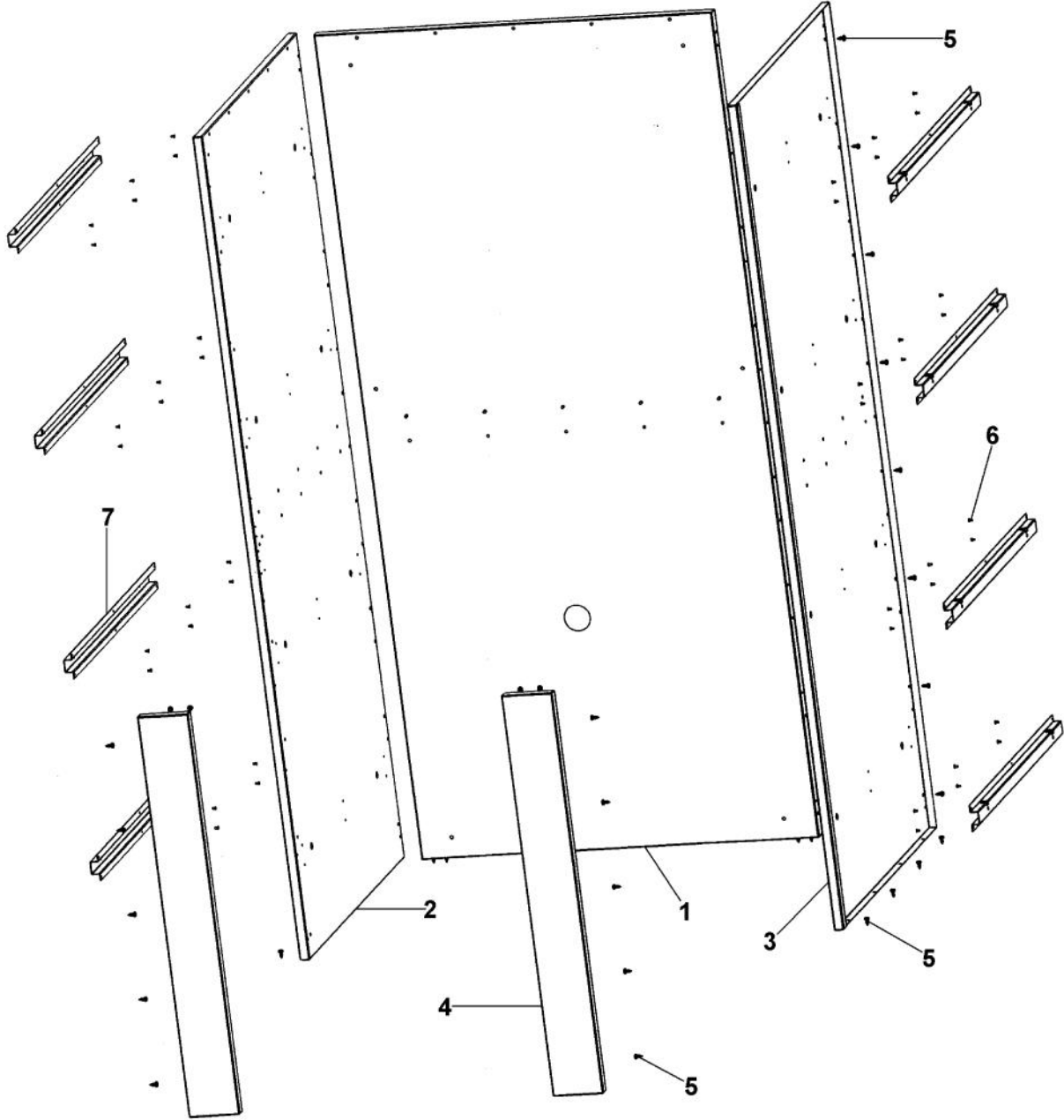
----- Manual continues below -----



Ref #	Part Number	Qty.	Description
1	PD020055		NO.10 X 1/2 PAN PHIL. TEK. SS
2	B20014638		TOP CORNER BRACE
3	PD020061		NO.8 X 3/4 FLAT HD TEK. SS.
4	B20014618		MAIN BOTTOM (68 REF) CABINET
5	A20014820		LEG BRACE 30 CABINET
6	PD030043		1/4-20 CAGE NUT SS
7	PC030007		LEG PLATE - 3/4 THREADED HOLE
8	PD010006		HEX HD. BOLT - 1/4-20 X 1/2
9	B20014619		BOTTOM COVER (68 REF) CABINET
10	PC030017		4 LEG ASSY
11	A20014868		KICK PLATE SUPPORT (REF) CABINET
12	PC040003		POP RIVET - SB64 3/16DIA.X 3/8
13	PD030002		LOWER ACC PAN SPRING CLAMP (SYWE1)
14	PD020002		10 X 1/2 PH.TR.HD.SMS.
15	A10014849		4 KICK PLATE MOUNT BRKT
16	PK030492		4 KICK PLATE 4.125 X 3.250



Ref #	Part Number	Qty.	Description
1	B20014825		TOP (VERO3200)
2	PD020055		NO.10 X 1/2 PAN PHIL. TEK. SS
3	B30014834		FRONT FASCIA (VGRO3200)
4	B20014828		MIDDLE SUPPORT (VERO3200)
5	B20014866		CENTER SUPPORT
6	B20014830		TOP SUPPORT (VERO3200)



Ref #	Part Number	Qty.	Description
1	B20014821		REAR CABINET
2	B20014617		LH I/S SIDE
3	B20014616		RH I/S SIDE
4	B30014829		4 SIDE FRONT FASCIA
5	PD020055		NO.10 X 1/2 PAN PHIL. TEK. SS
6	PC040014		POP RIVOT-SS42 SS
7	A20013956		MOUNT BRACKET (CABINETS)