

This Owner's Manual is provided and hosted by [Appliance Factory Parts](#).



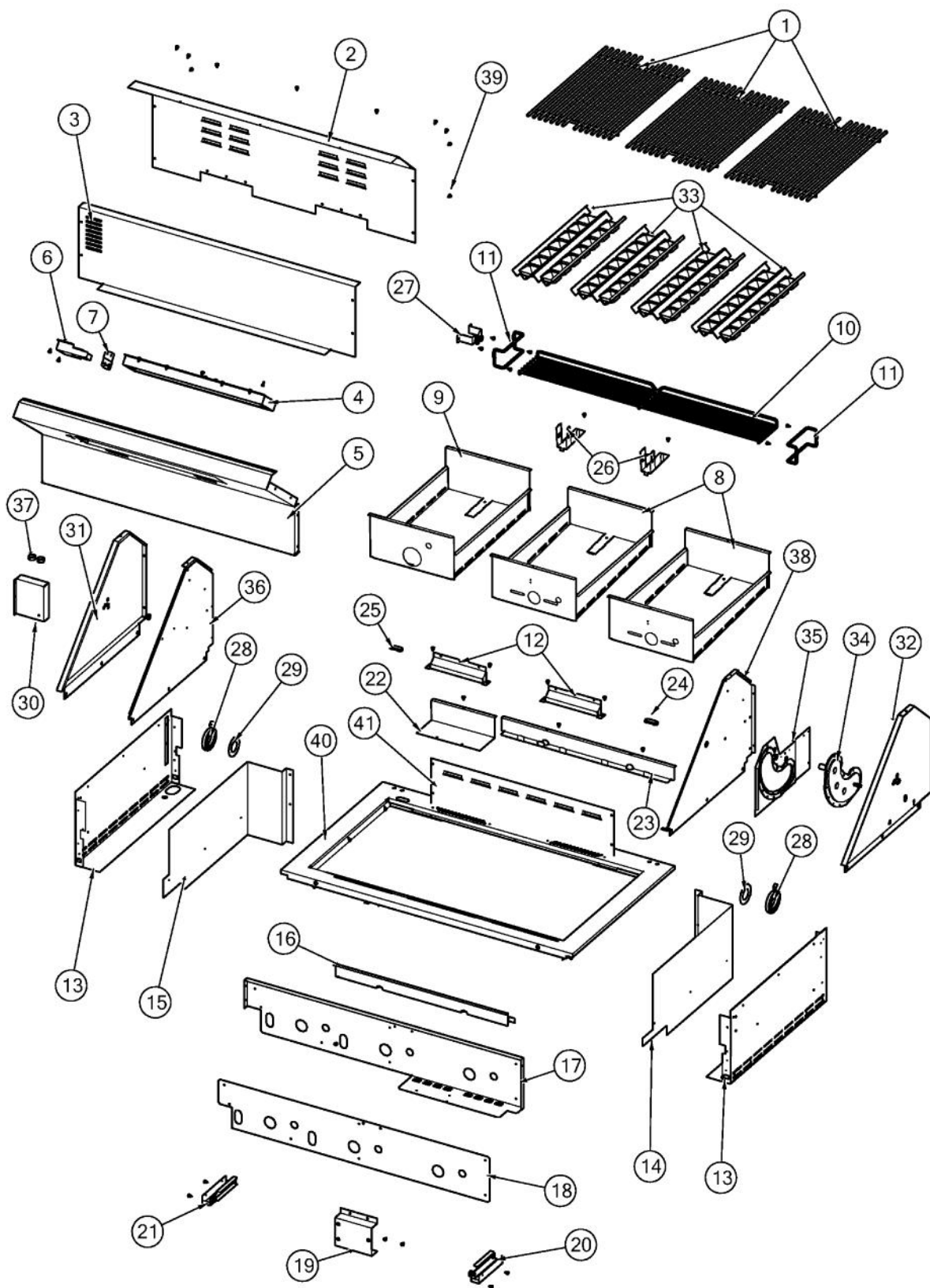
VIKING VGIQ54224 Owner's Manual

[Shop genuine replacement parts for VIKING VGIQ54224](#)

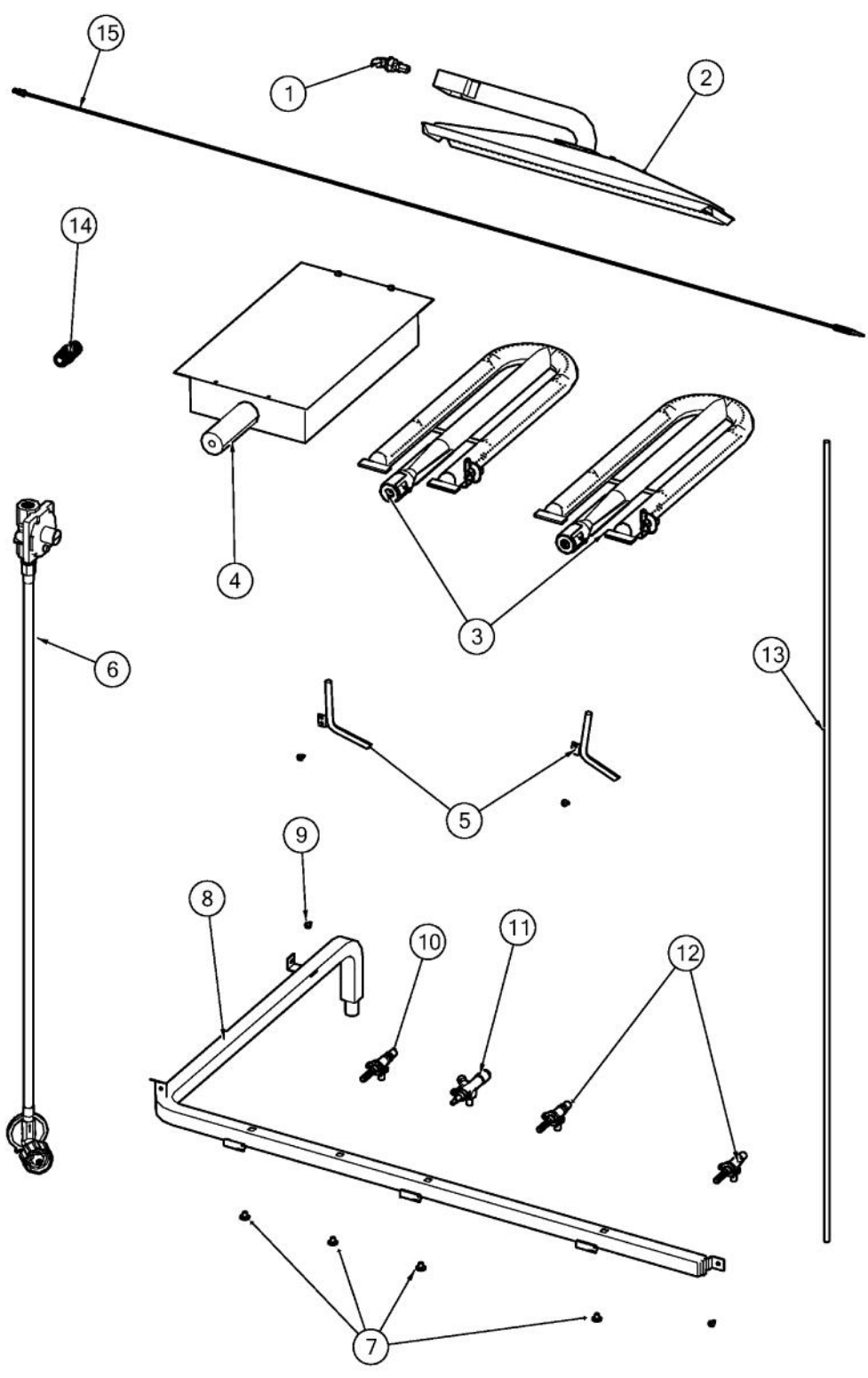


[Find Your VIKING Grill Parts - Select From 210 Models](#)

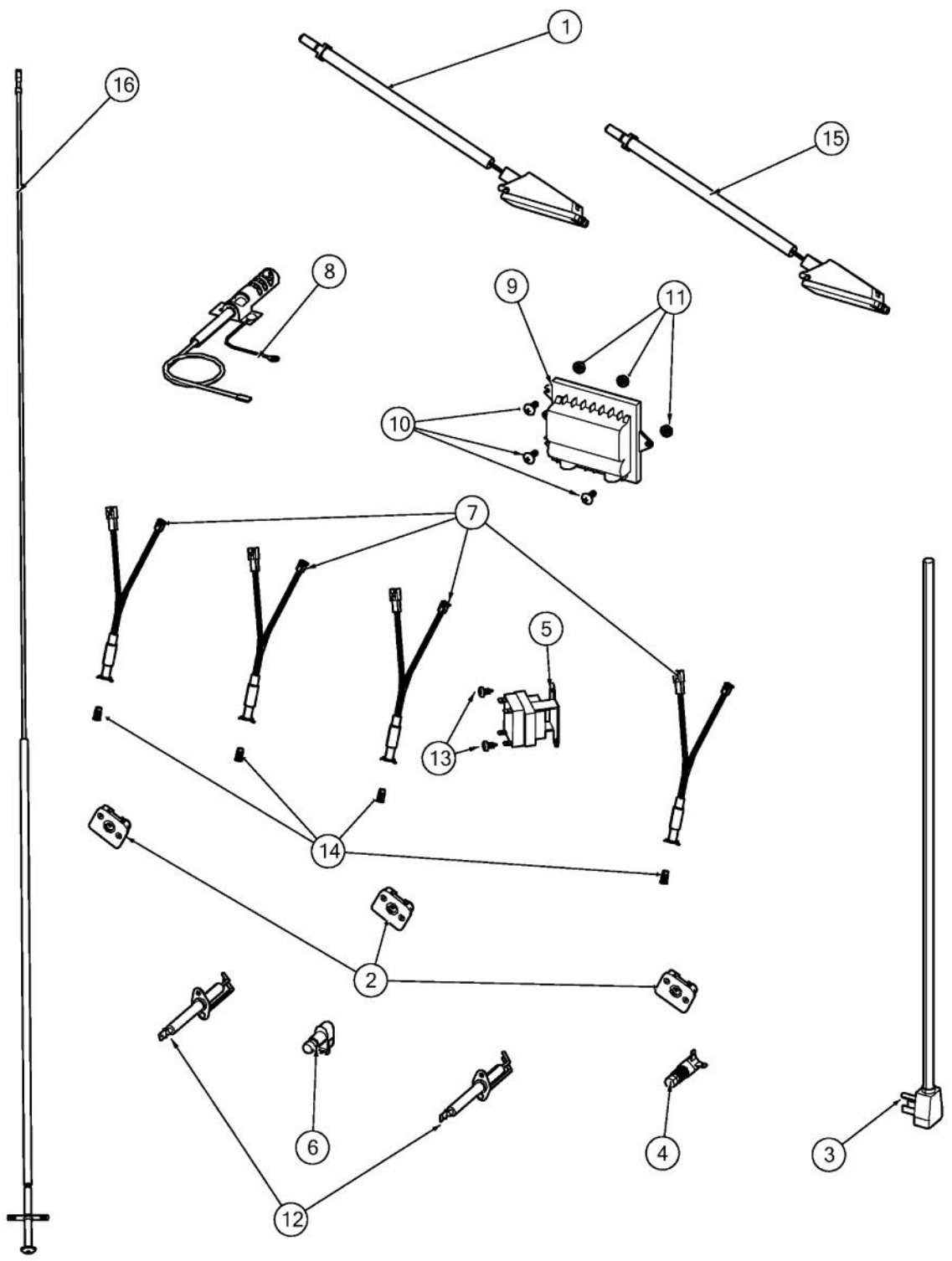
----- Manual continues below -----



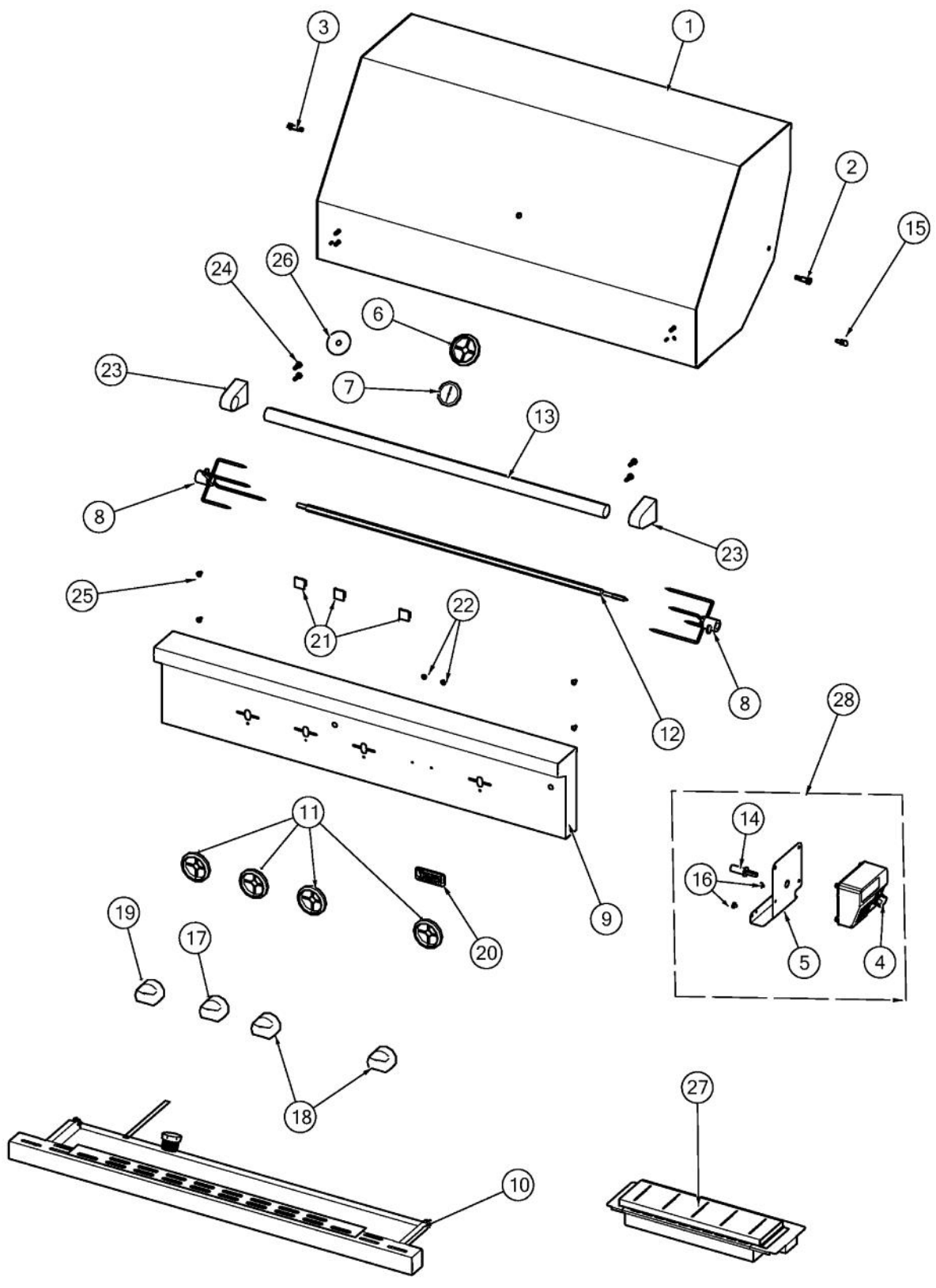
Ref #	Part Number	Qty.	Description
1	029434-000	3	GRATE, BQ GRILL
2	045421-000	1	PANEL, REAR BQ
3	045785-000	1	BRACKET, BACK, SUPPORT
4	B2005347	1	INFRARED FRAME
5	045422-000	1	BACKPLATE, BQ, INT
6	029457-000	1	COVER, ROTIS IGNITOR
7	029454-000	1	BRACKET, ROTIS IGNITOR, MTG
8	029461-000	2	BOX, U BURNER, 30
9	045847-000	1	BOX, IQ, BURNER
10	045762-000	1	42 WARMING RACK
11	031598-000	2	HANGER, WARMING RACK
12	035606-000	2	FLUE DIVERTER, 30
13	029459-000	2	PANEL, LWR SIDE
14	046276-000	5	RIGHT HAND INNER HEAT SHIELD
15	046275-000	1	LEFT HAND INNER HEAT SHIELD
16	036024-000	1	SUPPORT, TRAY, BRIQUETTE, 30
17	045623-000	1	PANEL, SUPPORT, HEAT SHIELD
18	045624-000	1	PANEL, FRONT, HEAT SHIELD
19	031570-000	1	BRACKET, MOUNTING, MODULE
20	031551-000	1	GUIDE, DRIP TRAY, RH ASM
21	031544-000	1	GUIDE, DRIP TRAY, LH ASM
22	047817-000	1	CERAMIC BURNER MOUNTING BRACKET
23	036024-000	1	SUPPORT, TRAY, BRIQUETTE, 30
24	002671-000	1	RUBBER DOOR BUMPER
25	002671-000	1	RUBBER DOOR BUMPER
26	032239-000	2	BRACKET, REAR GRILL BURNER
27	037589-000	1	ROLLER, BRKT, ROTIS, ASM
28	007206-000	2	CANOPY, SPRING, ASSIST- LIGHT
29	007818-000	2	RETAINER, CANOPY SPRING
30	035094-000	1	CHANNEL, WIRE
31	045830-000	1	WINDSHIELD, BQ, ASM LH
32	045831-000	1	WINDSHIELD, BQ RH ASM W/ROTIS
33	046377-000	4	TRAY, CRMC, BRIQUETTE, ASM
34	PC070024	1	ROTIS. GEAR BOX ASSY
35	031838-000	1	BRACKET, SUPPORT ROTIS BOX ASM
36	040745-000	1	WINDSHIELD, BQ, IS, LH
37	PD040005	2	SNAP BUSHING - 7/8
38	040775-000	1	WINDSHIELD, BQ, OS, RH
39	037304-000	99	FASTENER, PNH, TORX, AB, PSVD, WAX
40	N/P	1	CABINET (NOT FIELD REPLACEABLE)
41	N/P	1	CABINET (NOT FIELD REPLACEABLE)



Ref #	Part Number	Qty.	Description
1	048119-000	1	NOT IN THE RNG BOM
1	PB040124	1	90 DEG. ORIFICE FITTING
2	G3005289	1	BURNER,ASM,,ASM,IR,20
3	029479-000	2	U-BURNER, BQ ASM
4	047028-000	1	CERAMIC BURNER
5	PB020114	2	FLASH TUBE (VGBQ3002T)
6	043214-000	1	REGULATOR, HOSE, LP ASSY
6	043217-000	1	REGULATOR, NAT ASSY
7	PD010012	4	VALVE BOLT 1/4-20 UNC-2B 5/16 M.S.
8	045552-000	1	42 MANIFOLD
9	037304-000	6	FASTENER, PNH, TORX, AB, PSVD, WAX
10	048118-000	1	IQ BURNER VALVE, LP
10	048117-000	1	IQ BURNER VALVE, NAT
11	038657-000	1	VALVE, RTSR, ASM, LP
11	038629-000	1	VALVE, RTSR, ASM, NAT
12	014953-000	2	VALVE, GAS, ASM, U BNR - LP
12	014952-000	2	VALVE, GAS, ASM, U BNR
13	046934-000	1	55 6/16 S.S. FLEX TUBING (T5-NF01-55)
14	043747-000	1	COMPRESSION MALE FITING
15	042576-000	1	THERMOCOUPLE



Ref #	Part Number	Qty.	Description
1	034082-000	1	120V HALOGEN LIGHT ASM
2	PA020045	3	IGNITOR SWITCH
3	PE070189	1	ELECTRICAL SUPPLY CORD - BBQ GRILL
4	PE050019	1	OVEN LIGHT SWITCH (VGSO166) 90-DEG.
5	006021-000	1	SCE, PWR, LED, 12VAC
6	PE050063	1	SPARKER SWITCH
7	044929-000	4	LAMP, LED, 12VDC, WHITE, PLUG, RECEP, ASM
8	043657-000	1	ELECTRODE W/LEAD, BAKE, ASSY?
9	PA020047	1	INVENSYS 0+4 RE-IGNITION SPARK MODULE
10	PD020056	3	NO.10-24 X 1/2 PH.TR. M.S. SS
11	PD030044	3	10-24 KEPS NUT SS
12	PB040288	2	SMOKER BURNER IGNITER
13	037304-000	2	FASTENER, PNH, TORX, AB, PSVD, WAX
14	044350-000	4	LENS, COVER, LED, BLUE
15	037496-000	1	LAMP, HALOGEN, ASM, OVEN 125VAC
16	048238-000	1	IGNITOR, GRILL, W/WIRE ASM
NI	048317-000	1	ROTISS, IGNITOR, EXTENSION
NI	034992-000	3	TIE, NYLON CABLE
NI	PB040170	1	BAKE IGNITION ELECTRODE
NI	048482-000	1	HARNESS, LED, JUMPER
NI	047027-000	1	HARNESS, LED, POWER
NI	046310-000	1	42 WIRE HARNESS
NI	035565-000	1	WIRE, IGNITOR, GRILL 12
NI	035561-000	1	WIRE, IGNITOR, GRILL 8
NI	G4001648	1	SPARK IGNITER WIRE (22)
NI	039137-000	1	TUBING, INSUL, GAS IGNITOR
NI	033701-000	3	COVER, VALVE



Ref #	Part Number	Qty.	Description
1	045796-000	1	HOOD WELDMENT
2	034607-000	1	FASTENER, BOLT, 5/16 - 1-1/2
3	034607-000	1	FASTENER, BOLT, 5/16 - 1-1/2
4	032461-000	1	MOTOR, ROTIS
5	043284-000	1	ROTIS MOTOR BRACKET
6	PB010304	1	KNOB BEZEL
7	020659-000	1	GAUGE, BMTL, TEMPERATURE
8	032881-000	2	FORK, RTSR
9	047020-2634	1	CONTROL PANEL ASM, W/GRAPHICS 42 VGIQ
10	045454-000	1	DRIP TRAY ASM, BQ, 42
11	PB010304	4	KNOB BEZEL
12	045827-000	1	42 SPIT ROD
13	045824-000	1	42 CANOPY HANDLE
14	037377-000	1	ADAPTER, HEX, ROTISSERIE MOTOR ADAPTER
15	043302-000	1	SCREW, THUMB, SPADE HEAD
16	PD040004	2	GROMMET BUMPER
17	038435-000	1	KNOB, ROTISS, PRO, CR3
18	035901-000	2	KNOB, GRL, WOK, PRO CR3
19	035902-000	1	KNOB, IR, PRO CR3
20	PE010142	1	3 LOGO XBKXXCHROME
21	M0104106	3	CLIP-CORD VM0104106
22	PD030006	2	CAPPED WASHER PAL NUT
23	026965-000	2	END CAP, ASM, DOOR HANDLE
24	PD020069	4	CAP SCREW 1/4-20 X 3/4 SS
25	014143-000	4	SCR 10-12 A SHLD TRP 1/2 S ZN BLUE
26	026724-000	1	SPACER, WSHR
27	045515-000	1	SMOKER BOX ASSY
28	043708-000	1	GRILL, MOT, MT, 304, RTSR ASSY