

This Owner's Manual is provided and hosted by [Appliance Factory Parts](#).



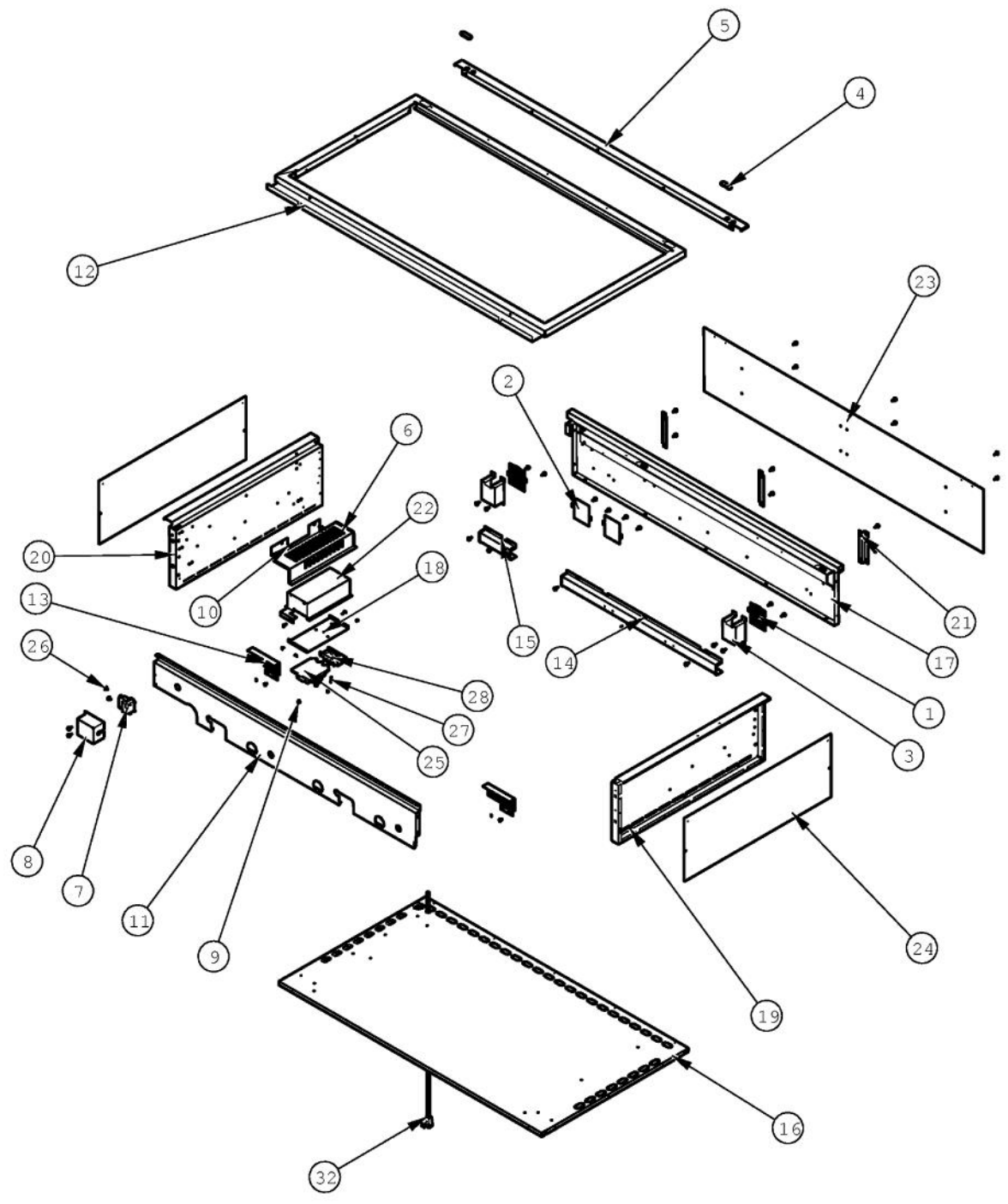
VIKING VGIQ55404RE Owner's Manual

[Shop genuine replacement parts for VIKING
VGIQ55404RE](#)

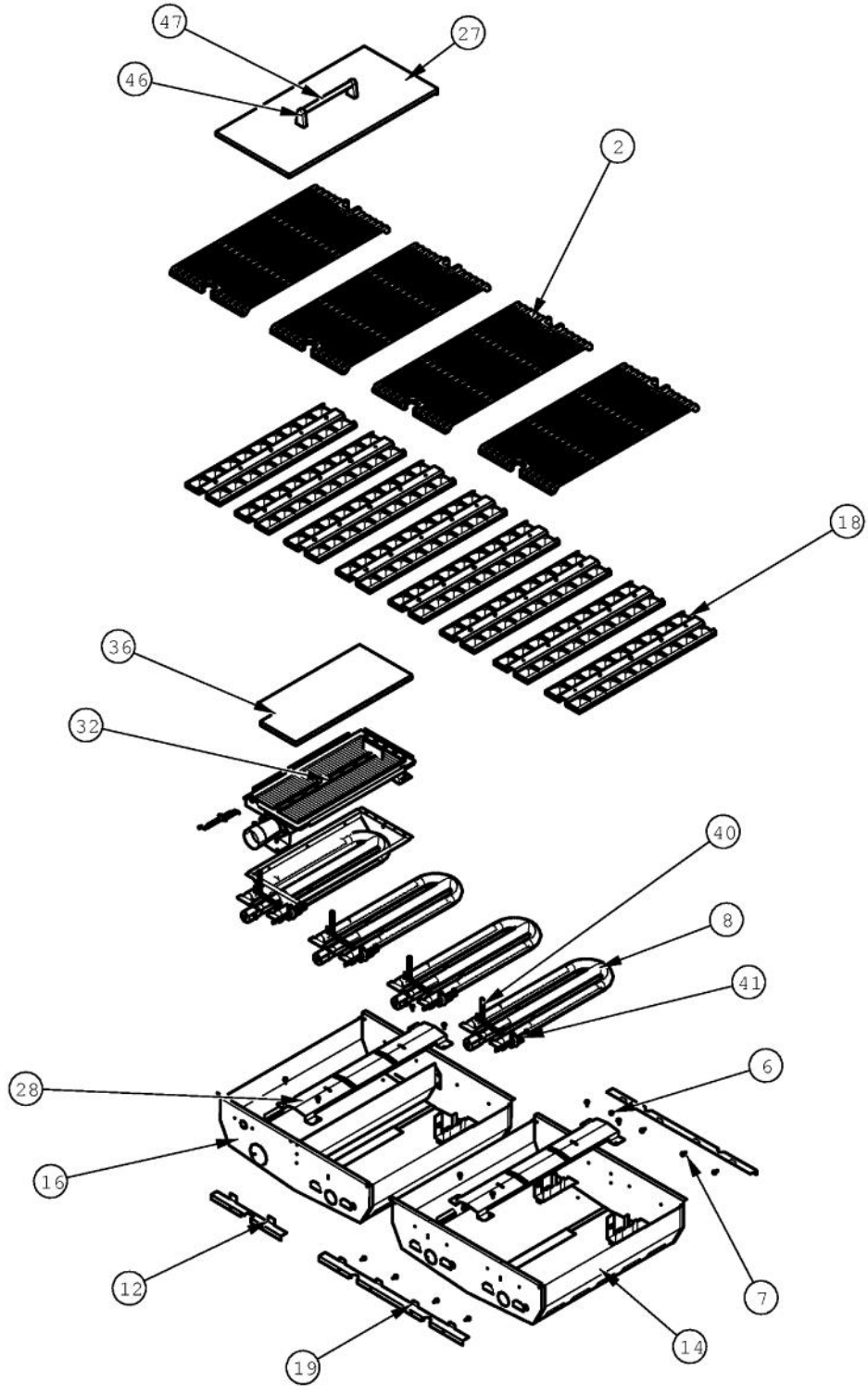


[Find Your VIKING Grill Parts - Select From 210 Models](#)

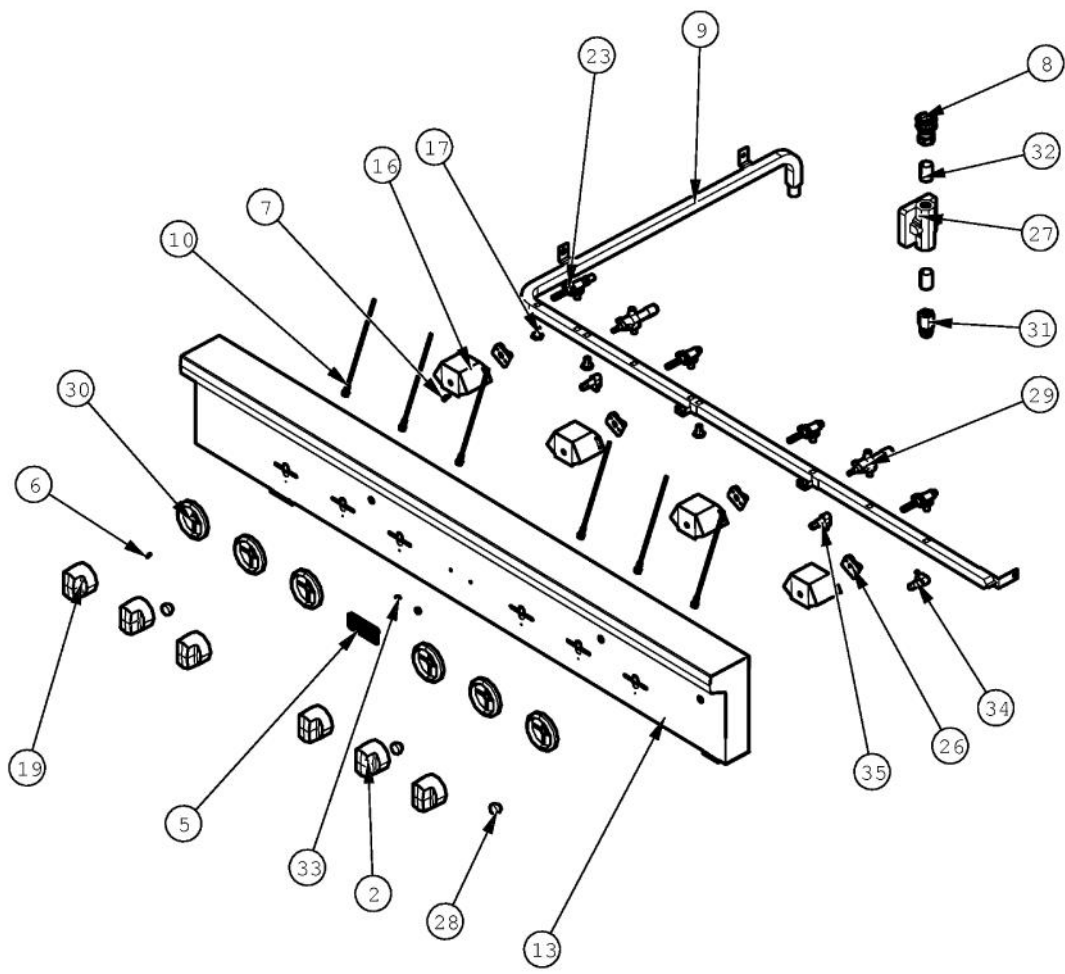
----- Manual continues below -----



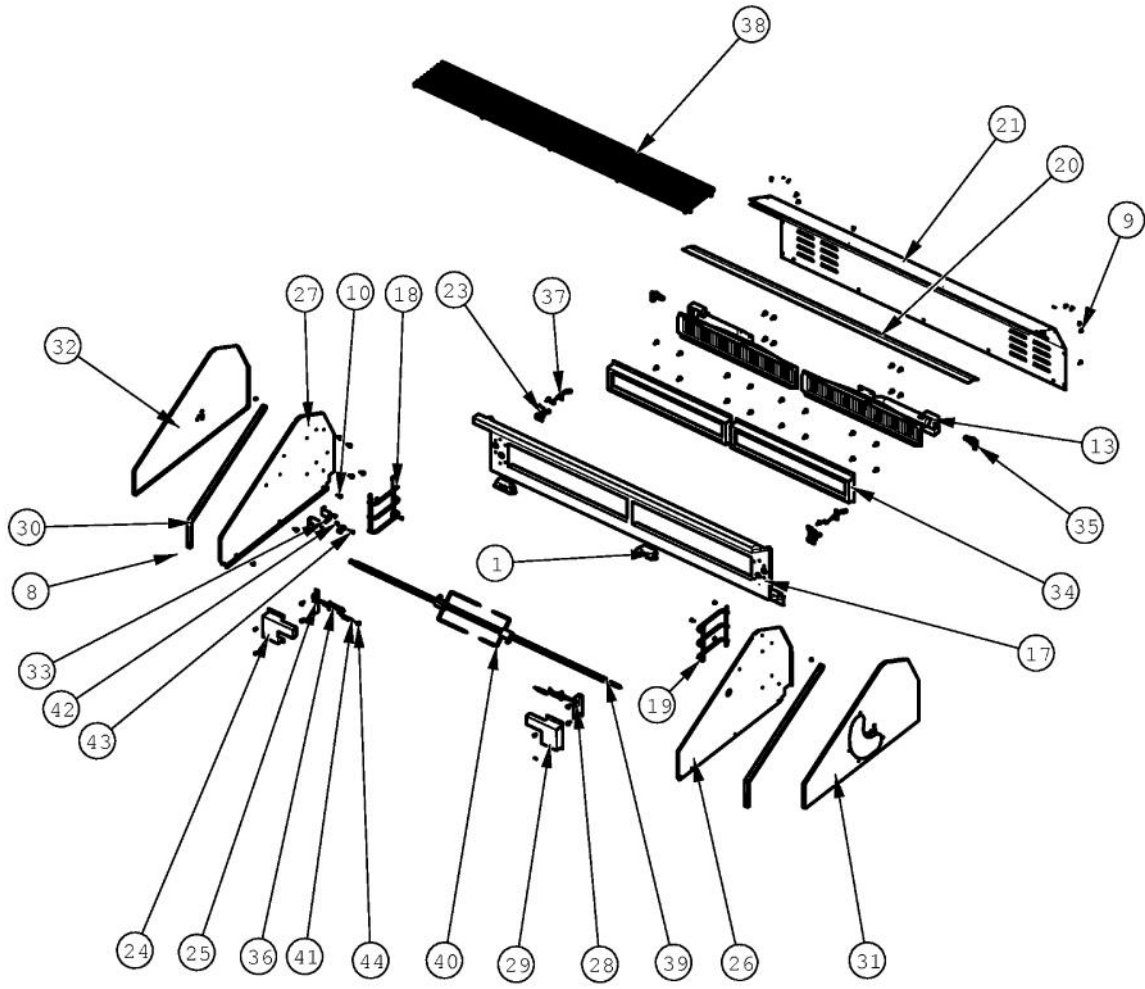
Ref #	Part Number	Qty.	Description
1	002353-000	2	GRILL PLUG VENT
2	002354-000	1	GRILL PLUG PLATE
3	002355-000	2	GRILL RECEPTACLE BOX
4	002671-000	2	RUBBER DOOR BUMPER
5	003858-000	1	5304 GRILL REAR TRIM
6	004089-000	1	POWER CORD SHIELD
7	006021-000	1	SCE, PWR, LED, 12VAC
8	007657-000	1	PROT. COVER
9	020051-000	7	SCR, DR, PHLP,PNH, 410SS, NPLT, 10-16 X 1/2
10	PD020055	6	NO.10 X 1/2 PAN PHIL. TEK. SS
11	025566-000	1	SUPPORT, GRL, FR, 53
12	033812-000	1	FRAME, GRILL, 53
13	034426-000	2	PLATE, GUARD
14	A20015410	1	GRILL WIRE CHANNEL - 53 REAR
15	A20015412	1	GRILL WIRE CHANNEL - 42 SHORT
16	B20015508	1	GRILL BOX BOTTOM 53
17	B20015511	1	GRILL BOX BACK 53
18	B20015566	1	0+6 SM/TB HOUSING BOTTOM
19	B2005203	1	GRILL BOX SIDE RH (PHASE 2)
20	B2005204	1	PANEL, GRL, LH
21	B2006305	3	HEAT SHIELD BRACKET
22	B30015553	1	0+6 SPARK MODULE TERMINAL HOUSING
23	L1004882	1	REAR HEAT SHIELD - 53`
24	L1005398	2	SIDE HEAT SHIELD
25	PA020048	1	INVENSYS 0+6 RE-IGNITION SPARK MODULE
26	PD020073	2	SRW NO.10 X 24 X 3/8 WAFER HD TYPE23
27	PD020166	1	NO.10 X 3/4 PAN PHIL. TEK. XSSX
28	PE070855	1	E SERIES TERMINAL BLOCK
32	PE070791	1	GRILL POWER SUPPLY CORD (8 FT)
NI	033590-000	1	HARN, LED, GRILL, 554



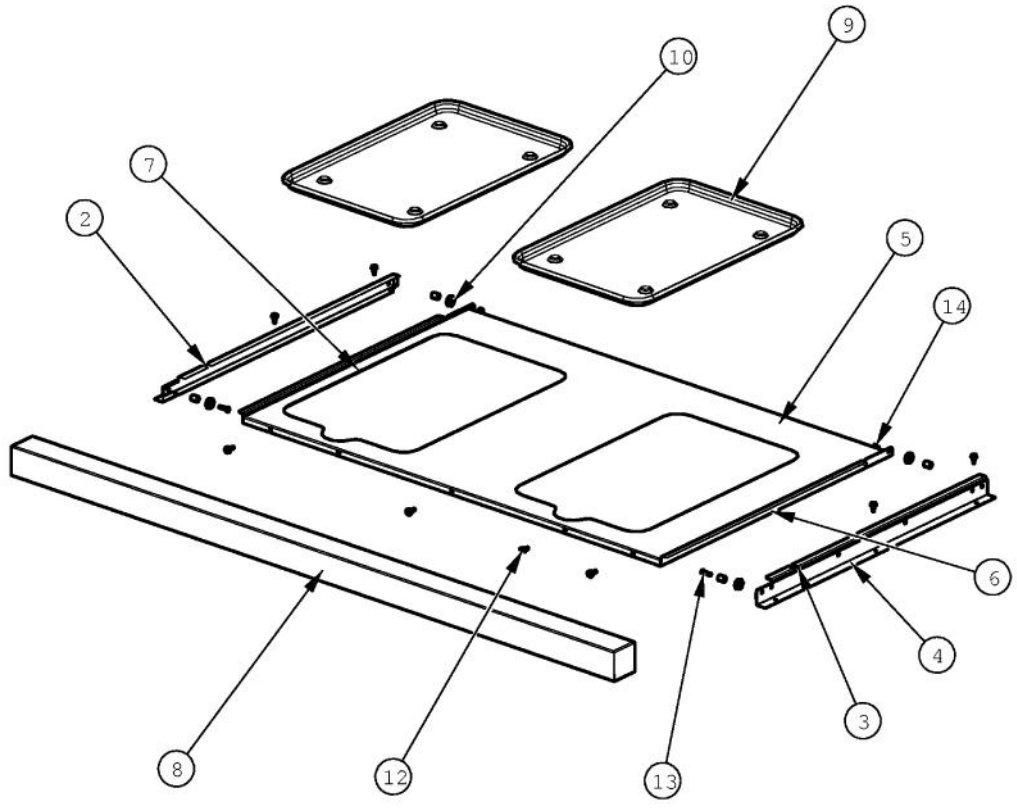
Ref #	Part Number	Qty.	Description
2	002369-000	4	REDESIGN BBQ GRATE - FULL
6	020055-000	19	SCR, DR, HXWH, 410SS, NPLT, 10-18 X 1/2
7	008026-000	8	NO.6-20 HEX WASHER SS SCREW
8	023000-000	4	BURNER, GRL, ASM, U
12	034740-000	2	SUPPORT, TRAY, BRIQUETTE 30 IQ
14	UNSERVICEABLE	1	OVEN CAVITY, ASM 36
16	UNSERVICEABLE	1	OVEN CAVITY, ASM 36
18	032381-000	6	TRAY, CRMC, BRIQUETTE, ASM
19	034601-000	2	BRACKET, SPACER, BRIQUETTE
27	B20015415	1	VGIB151/VGIQ COVER
28	B2005246	2	BURNER BOX SHIELD (PHASE 2)
32	G3005289	1	BURNER,ASM,,ASM,IR,20
36	B2008943	1	GREASE SCREEN
40	PB020114	4	FLASH TUBE (VGBQ3002T)
41	PB040288	4	SMOKER BURNER IGNITER
46	PE030187	2	ENDCAP, TUBE
47	PE030197	1	VGIQ30 COVER HANDLE
NI	004706-000	4	MACHINE SCREW, 6-32 X 3/8, PAN HD, PHILLIPS
NI	PD020056	4	NO.10-24 X 1/2 PH.TR. M.S. SS



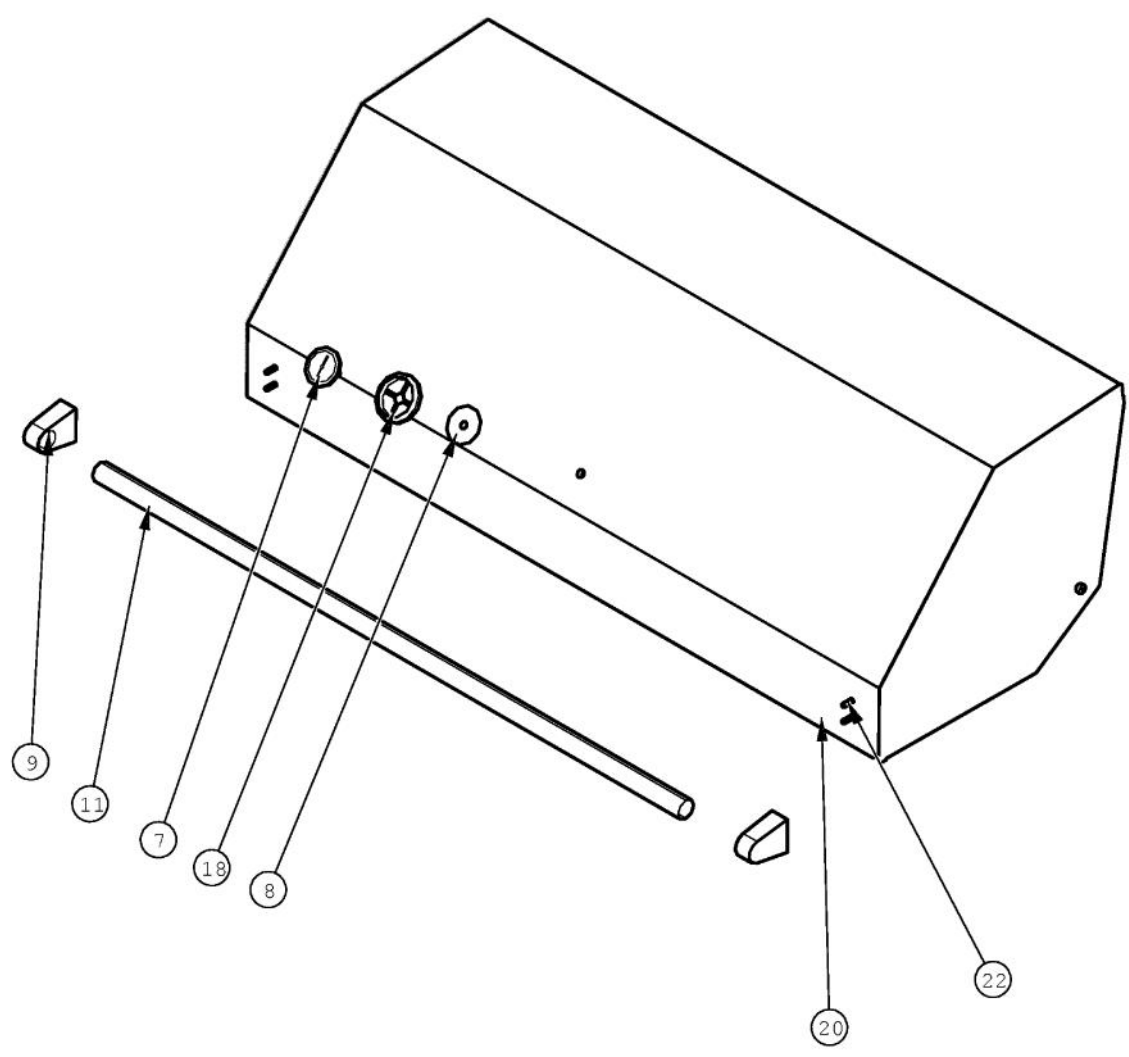
Ref #	Part Number	Qty.	Description
2	014618-000	2	GRILL ROTISSERIE KNOB - SS
5	015009-000	1	OUTDOOR LOGO - 3 CHROME
6	020041-000	4	SCR, DR, PH, PNH, 410 SS, NPLT, 6-20 X 3/8
8	PB040146	1	1/2 X 3/8 FLARE ADAPTER (VGBQ)
9	025723-000	1	MANIFOLD, GRL, 53
10	031337-000	6	LED, SHORT, ASM
13	033258-2383	1	PANEL, CNTRL WELD ASM VGIQ55404 W/GRAPHICS
16	033701-000	4	COVER, VALVE
17	002884-000	3	MANIFOLD PLUG
19	014616-000	4	GRILL KNOB - SS
23	006388-000	3	GAS VALVE - NAT.
23	006389-000	4	GAS VALVE - LP
26	PA020045	4	IGNITOR SWITCH
27	PA070006	1	PRESSURE REGULATOR - NATURAL
27	PA070005	1	PRESSURE REG.(LP) RV47L-77-10.0
28	PB010163	3	OVEN LIGHT SWITCH KNOB BK
29	PB010220	2	I.R. SAFETY VALVE LP
29	PB010191	2	I.R. SAFETY VALVE (PHASE II GRILLS)
30	PB010304	6	KNOB BEZEL
31	PB040235	1	1/2NPT TO 3/8 FLARE COUPLING
32	PB040046	2	1/2 CLOSE NIPPLE (VGSO166)
33	PD030006	2	CAPPED WASHER PAL NUT
34	PE050019	1	OVEN LIGHT SWITCH (VGSO166) 90-DEG.
35	PE050063	2	SPARKER SWITCH
NI	PD010012	6	VALVE BOLT 1/4-20 UNC-2B 5/16 M.S.
NI	PB020227	1	HIGH PRESSURE LP HOSE
NI	PA010138	1	CYLINDER CONNECTION
NI	PA070007	1	LP TANK REGULATOR (VGBQ)
NI	014617-000	1	GRILL TRU-SEAR KNOB - SS



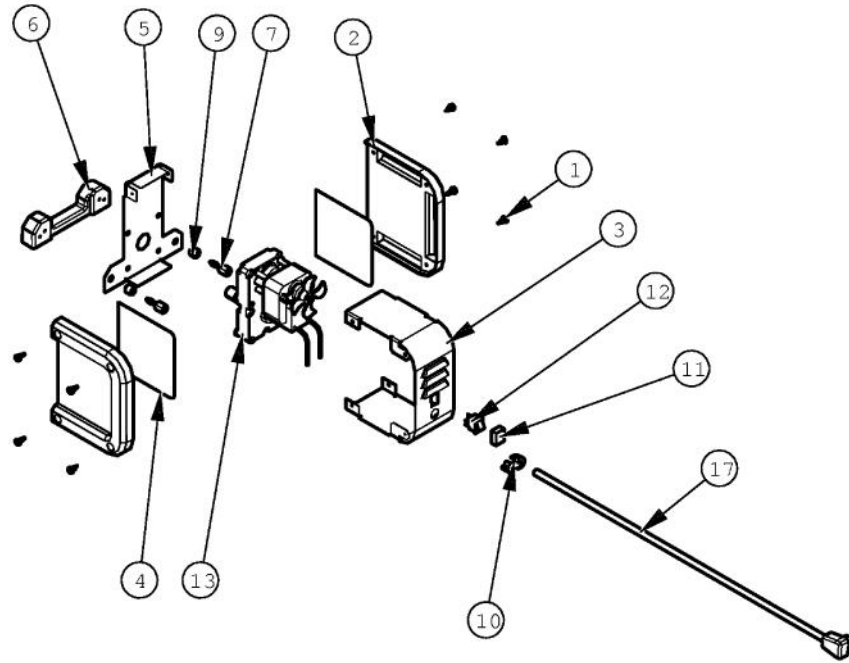
Ref #	Part Number	Qty.	Description
1	034082-000	2	120V HALOGEN LIGHT ASM
8	020037-000	4	SCR, DR, FCSKHP, 410 SS, NPLT, 8-18 X 3/4
9	020051-000	36	SCR, DR, PHLP,PNH, 410SS, NPLT, 10-16 X 1/2
13	G3005289	2	BURNER,ASM,,ASM,IR,20
17	032367-000	1	WALL, GRILL, INNER, REAR 554
18	PB060113	1	WARMING RACK SUPPORT LH
19	PB060112	1	WARMING RACK SUPPORT RH
20	034078-000	1	SHIELD, TOP, GRILL, 54
21	034133-000	1	COVER, REAR, GRILL, 54
23	B20015401	2	FLEXIBLE IGNITOR STANDOFF
24	B20015402	1	I/R IGNITOR COVER LH
25	B20015403	1	IR IGNITOR BRACKET
26	B20015418	1	INSIDE WINDSHIELD RH
27	B20015419	1	INSIDE WINDSHIELD LH
28	B20015518	1	IR IGNITOR BRACKET 53
29	B20015521	1	53 RH ROTISSERIE IGNITOR COVER
30	B20015574	2	GRILL WINDSHIELD TRIM
31	B20015575	1	OUTSIDE WINDSHIELD - RH
32	B20015576	1	OUTSIDE WINDSHIELD-LH
33	B2005278	1	ROTISSERIE ROLLER BRACKET (PHASE 2)
34	B2005347	2	INFRARED FRAME
35	PB040124	2	90 DEG. ORIFICE FITTING
36	PB040160	2	WOK IGNITER
37	PB040280	2	FLEXIBLE ROTISSERIE IGNITOR
38	032871-000	1	SHELF, BQ42, 304, SST
39	PB060052	1	ROTIS SPIT ROD 53
40	032881-000	4	FORK, RTSR
41	PB010210	2	FULL THERMOCOUPLE
42	PC020025	2	DRIP TRAY WHEEL
43	PD020082	2	10 X 24 COUNTERSUNK S.S. SCREW
44	PD030048	2	THERMOCOUPLE NUT M08-VGBQ-8743300007



Ref #	Part Number	Qty.	Description
1	020055-000	6	SCR, DR, HXWH, 410SS, NPLT, 10-18 X 1/2
2	B20013593	1	DRIP TRAY SLIDE - LH
3	B20013594	1	DRIP TRAY SLIDE - RH
4	B2005213	2	DRIP TRAY GUIDE BRACKET (PHASE 2)
5	B2005309	1	DRIP TRAY 41
6	B2005316	1	DRIP TRAY RUNNER RH
7	B2005317	1	DRIP TRAY RUNNER LH (PHASE 2)
8	032344-000	1	HANDLE, DRIP TRAY, 554
9	J2101749	2	GREASE PAN
10	PC020025	4	DRIP TRAY WHEEL
12	PD020056	5	NO.10-24 X 1/2 PH.TR. M.S. SS
14	PD030044	4	10-24 KEPS NUT SS
NI	PD040004	2	GROMMET BUMPER



Ref #	Part Number	Qty.	Description
7	020659-000	1	GAUGE, BMTL, TEMPERATURE
8	026724-000	1	SPACER, WSHR
9	026965-000	2	END CAP, ASM, DOOR HANDLE
11	032437-000	1	HANDLE, CANOPY, BQ554
18	PB010304	1	KNOB BEZEL
20	032833-000	1	HOOD, OUTER WELDED ASM, BQ554
22	014221-000	4	1/4-20 X .625 HEX 316 SS
NI	036547-000	2	GROMMET, RECTANGLE RUBBER (USED ON CANOPY)
NI	034607-000	2	FASTENER, BOLT, 5/16 - 1-1/2



Ref #	Part Number	Qty.	Description
1	020051-000	7	SCR, DR, PHLP,PNH, 410SS, NPLT, 10-16 X 1/2
2	026550-000	2	ENDCAP, SPRT COVER
3	026554-000	1	BRACKET, ROTIS MAIN BODY
4	032600-000	2	PLATE, COVER, ENDCAP
5	032650-000	1	BRACKET, PNL, BACK, SUPPORT
6	PB060055	1	ROTISSERIE MOUNT CASTING
7	PD010090	2	ROTI FASTENER KNOB
9	PD030064	2	CAPTURE NUT 1/4 NO.20
10	PD040044	1	SNAP THRU BUSHING 1/4DIA CORD
11	PE050046	1	ROTI SWITCH BOOT
12	PE050051	1	ROTI SWITCH
13	PE070184	1	ROTISSERIE MOTOR
17	PE070189	1	ELECTRICAL SUPPLY CORD - BBQ GRILL
NI	026553-000	1	MOTOR, ROTIS, ASM