

This Owner's Manual is provided and hosted by [Appliance Factory Parts](#).



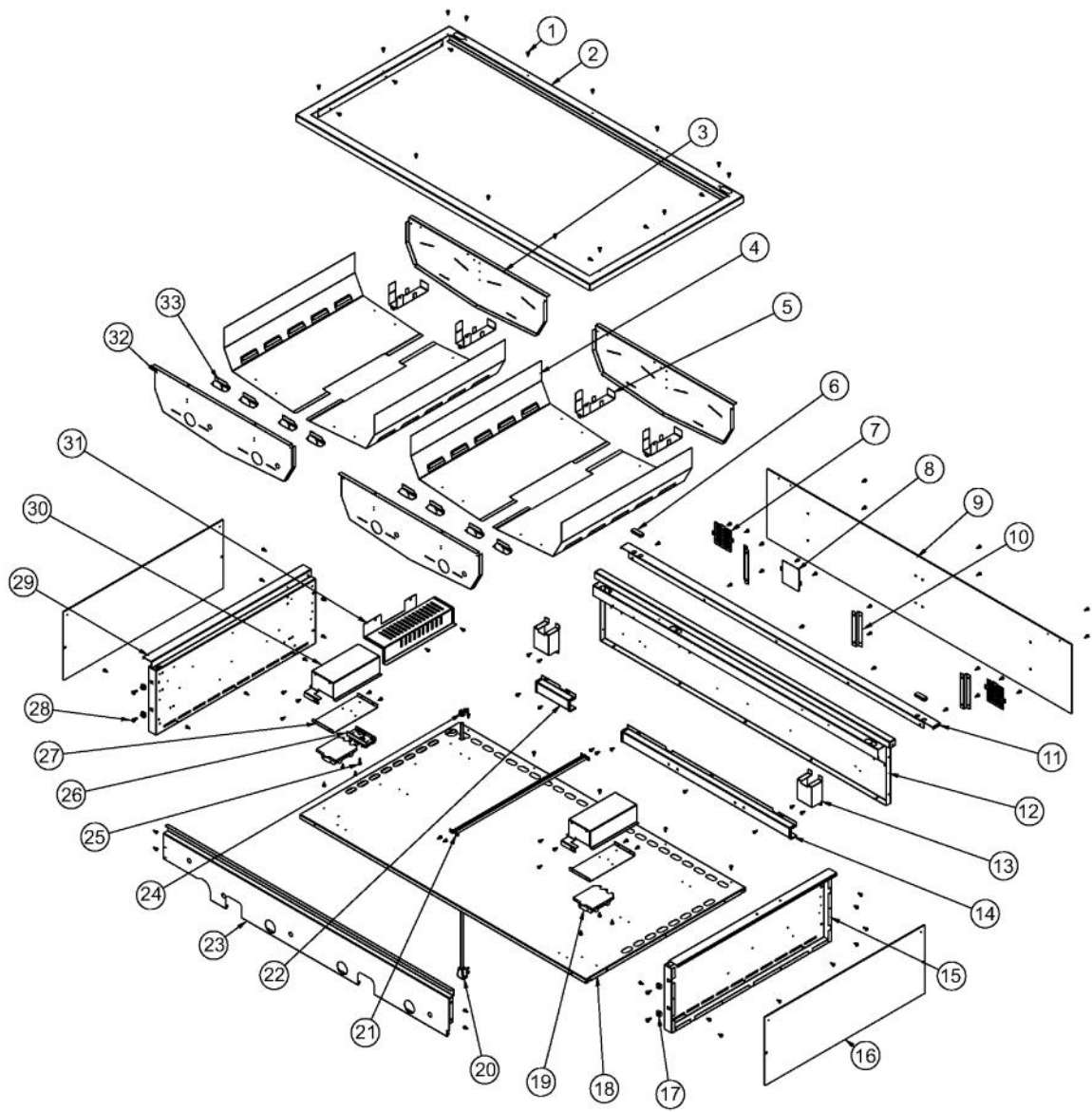
VIKING VGBQ5304RE2 Owner's Manual

[Shop genuine replacement parts for VIKING
VGBQ5304RE2](#)

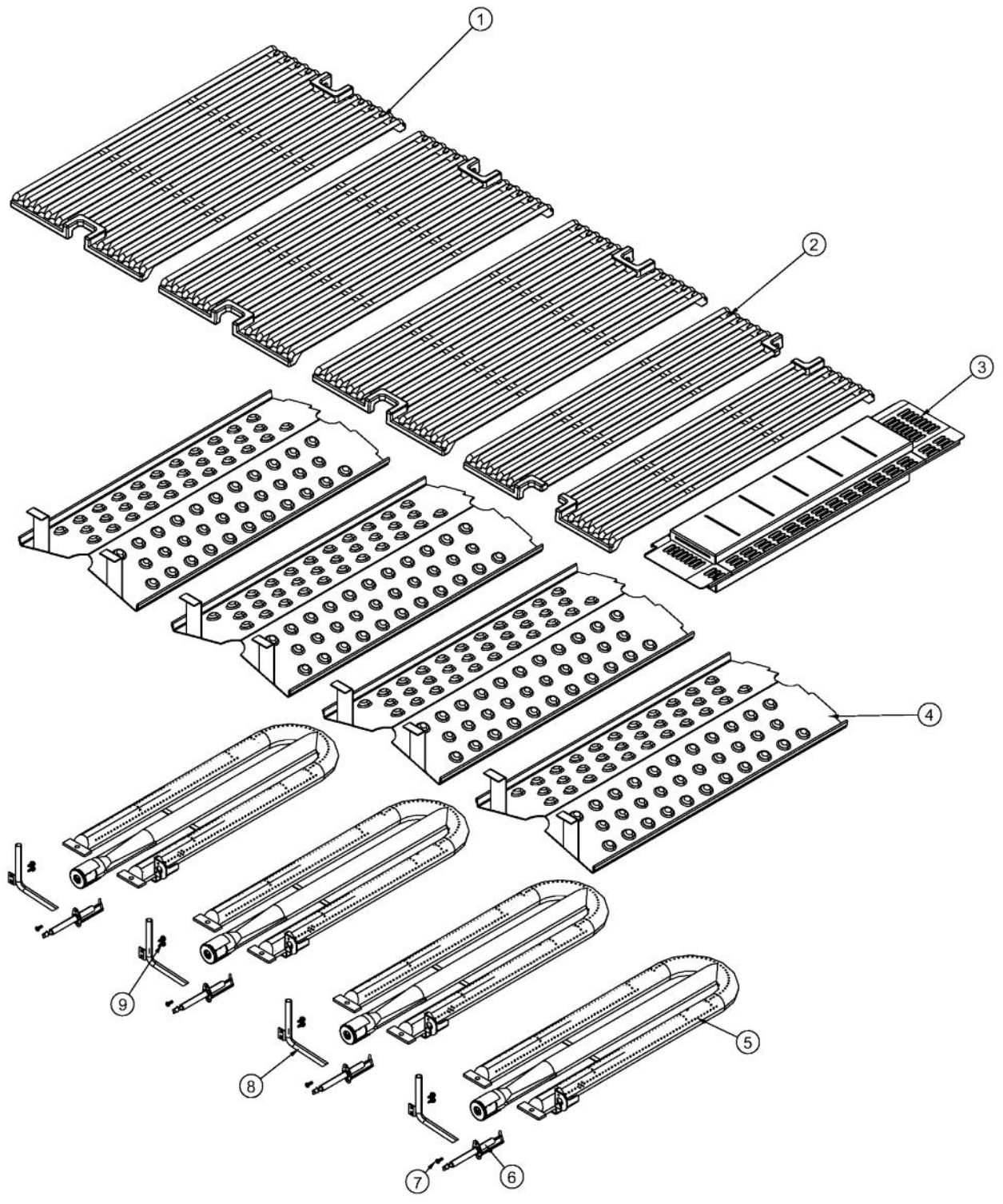


[Find Your VIKING Grill Parts - Select From 210 Models](#)

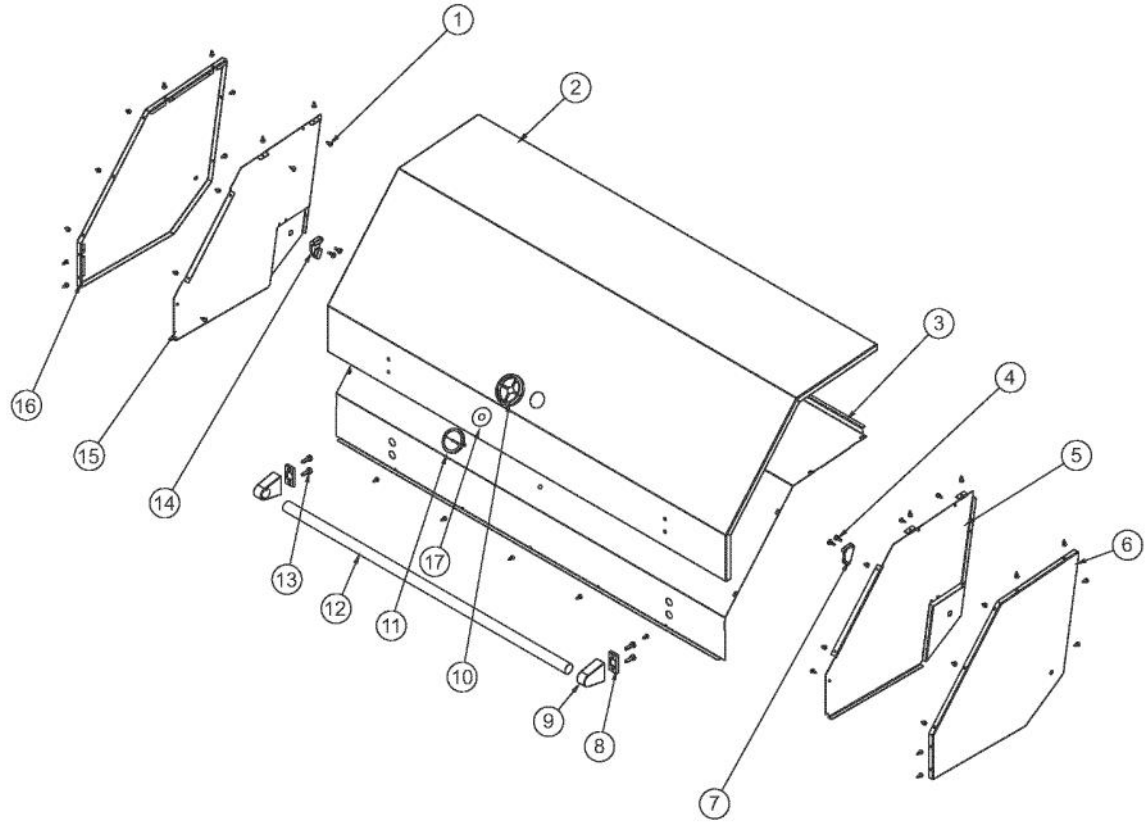
----- Manual continues below -----



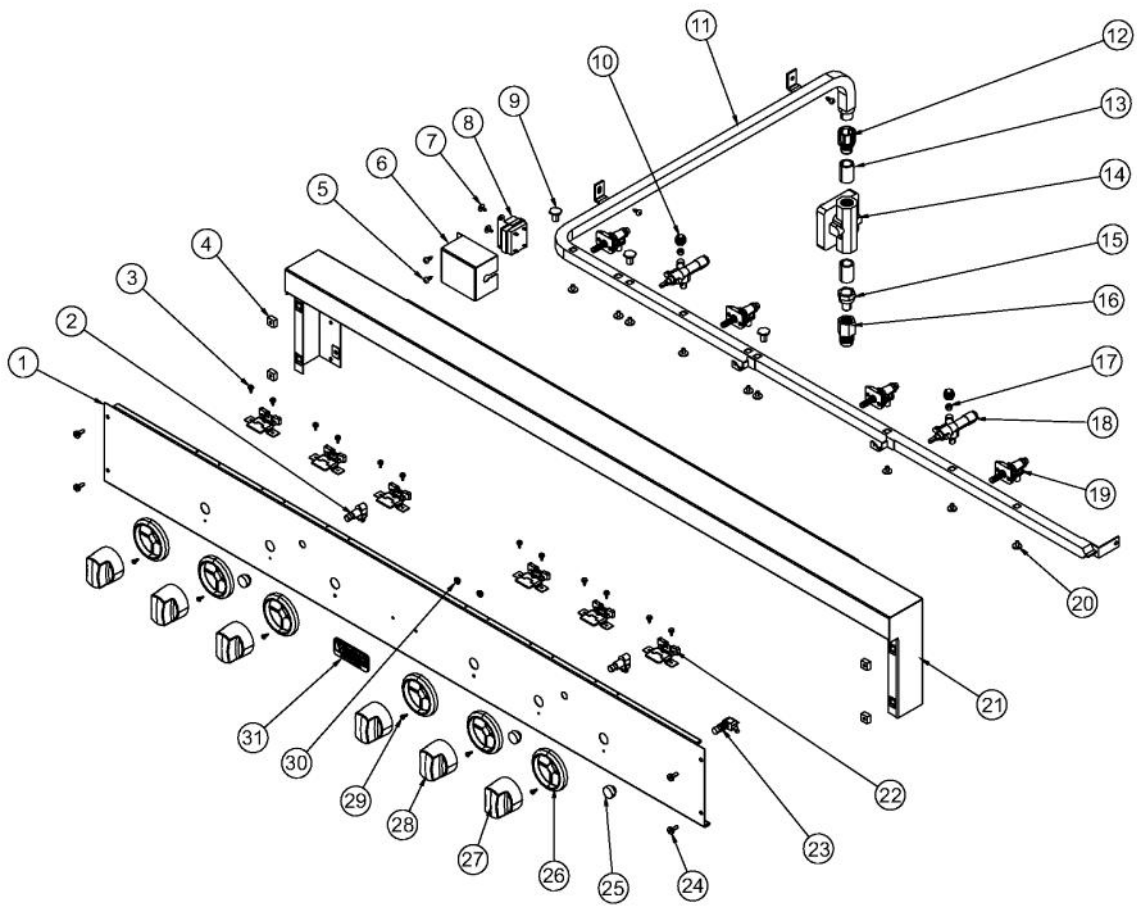
Ref #	Part Number	Qty.	Description
1	020051-000	100	SCR, DR, PHLP,PNH, 410SS, NPLT, 10-16 X 1/2
2	B20015514	1	GRILL FRAME 53
3	025544-000	2	BOX, BNR, BACK, 30
4	025543-000	4	BOX, BRN, BOT, 30
5	006010-000	4	GRILL BURNER REAR BRACKET
6	002671-000	2	RUBBER DOOR BUMPER
7	002353-000	2	GRILL PLUG VENT
8	002354-000	1	GRILL PLUG PLATE
9	L1004882	1	REAR HEAT SHIELD - 53``
10	B2006305	3	HEAT SHIELD BRACKET
11	003858-000	1	5304 GRILL REAR TRIM
12	B20015511	1	GRILL BOX BACK 53
13	002355-000	2	GRILL RECEPTACLE BOX
14	A20015410	1	GRILL WIRE CHANNEL - 53 REAR
15	B2005203	1	GRILL BOX SIDE RH (PHASE 2)
16	L1005398	2	SIDE HEAT SHIELD
17	PD030050	4	10-24 CAGE NUT SS
18	B20015508	1	GRILL BOX BOTTOM 53
19	PA020047	2	INVENSYS 0+4 RE-IGNITION SPARK MODULE
20	PE070791	1	GRILL POWER SUPPLY CORD (8 FT)
21	B2005244	1	BURNER BOX CENTER TRIM
22	A20015412	1	GRILL WIRE CHANNEL - 42 SHORT
23	025566-000	1	SUPPORT, GRL, FR, 53
24	PD040044	1	SNAP THRU BUSHING 1/4DIA CORD
25	PD020166	1	NO.10 X 3/4 PAN PHIL. TEK. XSSX
26	PE070855	1	E SERIES TERMINAL BLOCK
27	B20015568	2	0+4 SM/TB HOUSING BTM
28	PD020056	4	NO.10-24 X 1/2 PH.TR. M.S. SS
29	B2005204	1	PANEL, GRL, LH
30	B30015552	2	0+4 SPARK MODULE TERMINAL HOUSING
31	004089-000	1	POWER CORD SHIELD
32	025542-000	2	BOX, BNR, FR, 30
33	006011-000	8	GRILL BURNER FRONT BRACKET



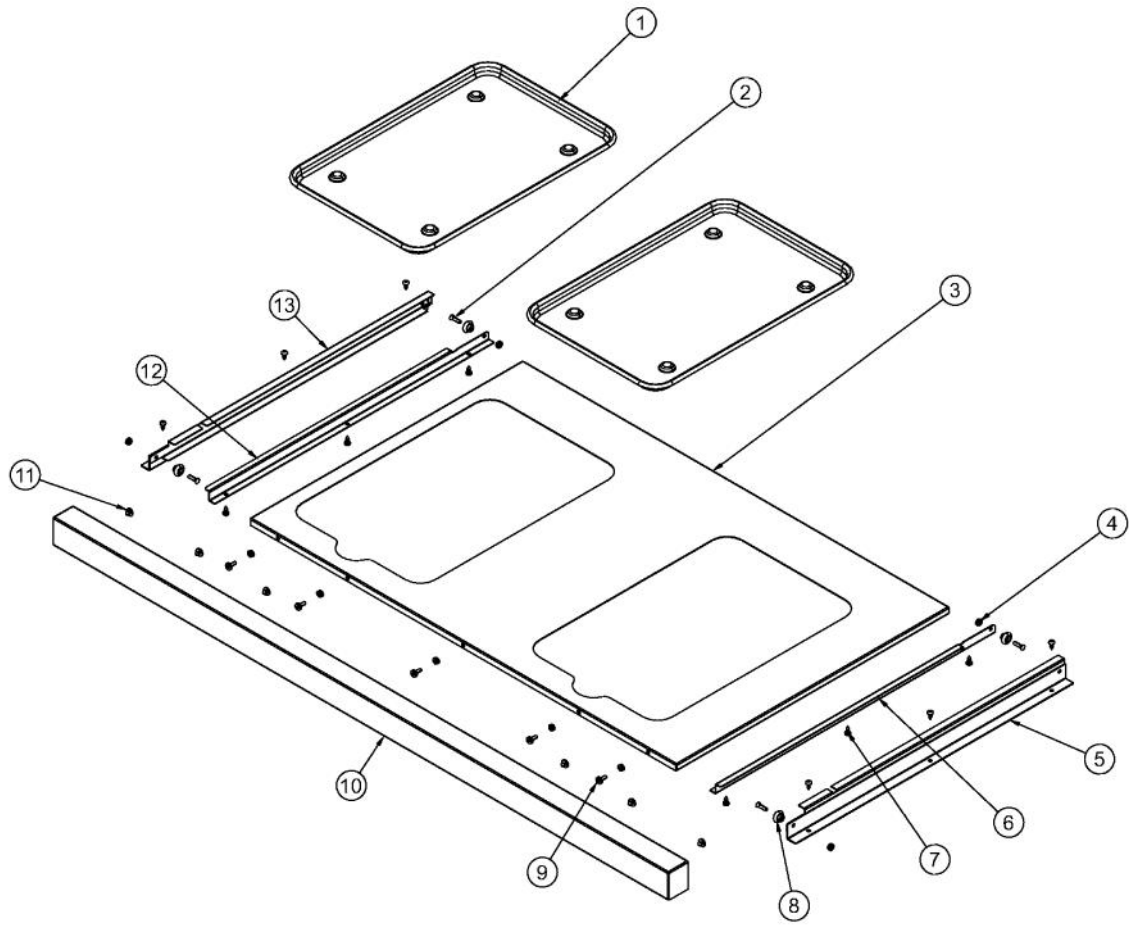
Ref #	Part Number	Qty.	Description
1	002369-000	3	REDESIGN BBQ GRATE - FULL
2	002370-000	2	REDESIGN BBQ GRATE - HALF
3	027596-000	1	BOX, SMOKER ASM
4	024157-000	4	SHIELD, GRS
5	023000-000	4	BURNER, GRL, ASM, U
6	PB040288	4	SMOKER BURNER IGNITER
7	004706-000	4	MACHINE SCREW, 6-32 X 3/8, PAN HD, PHILLIPS
8	PB020114	4	FLASH TUBE (VGBQ3002T)
9	008026-000	8	NO.6-20 HEX WASHER SS SCREW



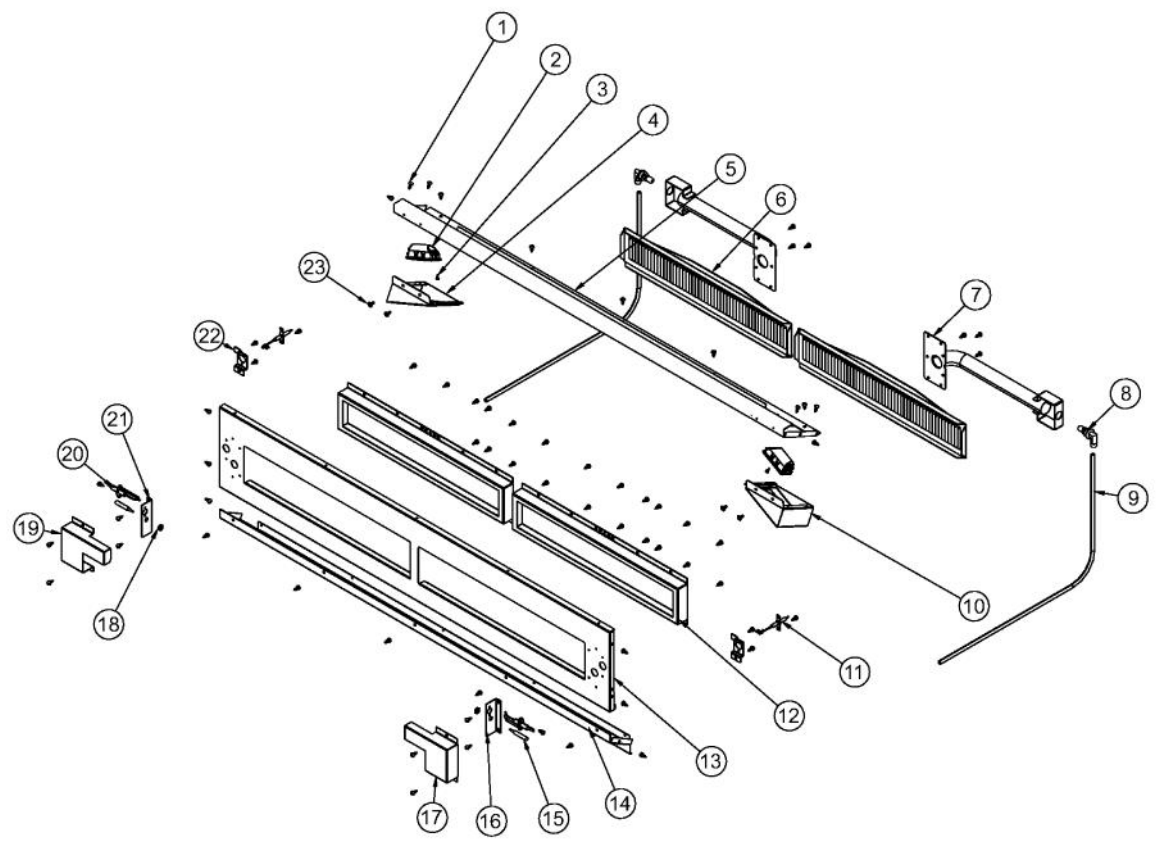
Ref #	Part Number	Qty.	Description
1	020051-000	37	SCR, DR, PHL P,PNH, 410SS, NPLT, 10-16 X 1/2
2	003638-000	1	53 CANOPY
3	003639-000	1	53 CANOPY HEAT SHIELD
4	PD020056	4	NO.10-24 X 1/2 PH.TR. M.S. SS
5	007379-000	1	GRILL CANOPY INSIDE RH
6	003630-000	1	GRILL CANOPY OUTSIDE RH
7	007215-000	1	CANOPY SPRING END MOUNT-RH
8	PD040010	2	DOOR HANDLE SPACER
9	000268-000	2	HANDLE END CAP ASSY
10	PB010304	1	KNOB BEZEL
11	020659-000	1	GAUGE, BMTL, TEMPERATURE
12	PE030040	1	DOOR/CNPY HNDLE - RPLCS PE930090
13	PD020069	4	CAP SCREW 1/4-20 X 3/4 SS
14	005941-000	1	CANOPY SPRING END MOUNT-LH
15	003633-000	1	GRILL CANOPY INSIDE LH
16	003632-000	1	GRILL CANOPY OUTSIDE LH
17	026724-000	1	SPACER, WSHR



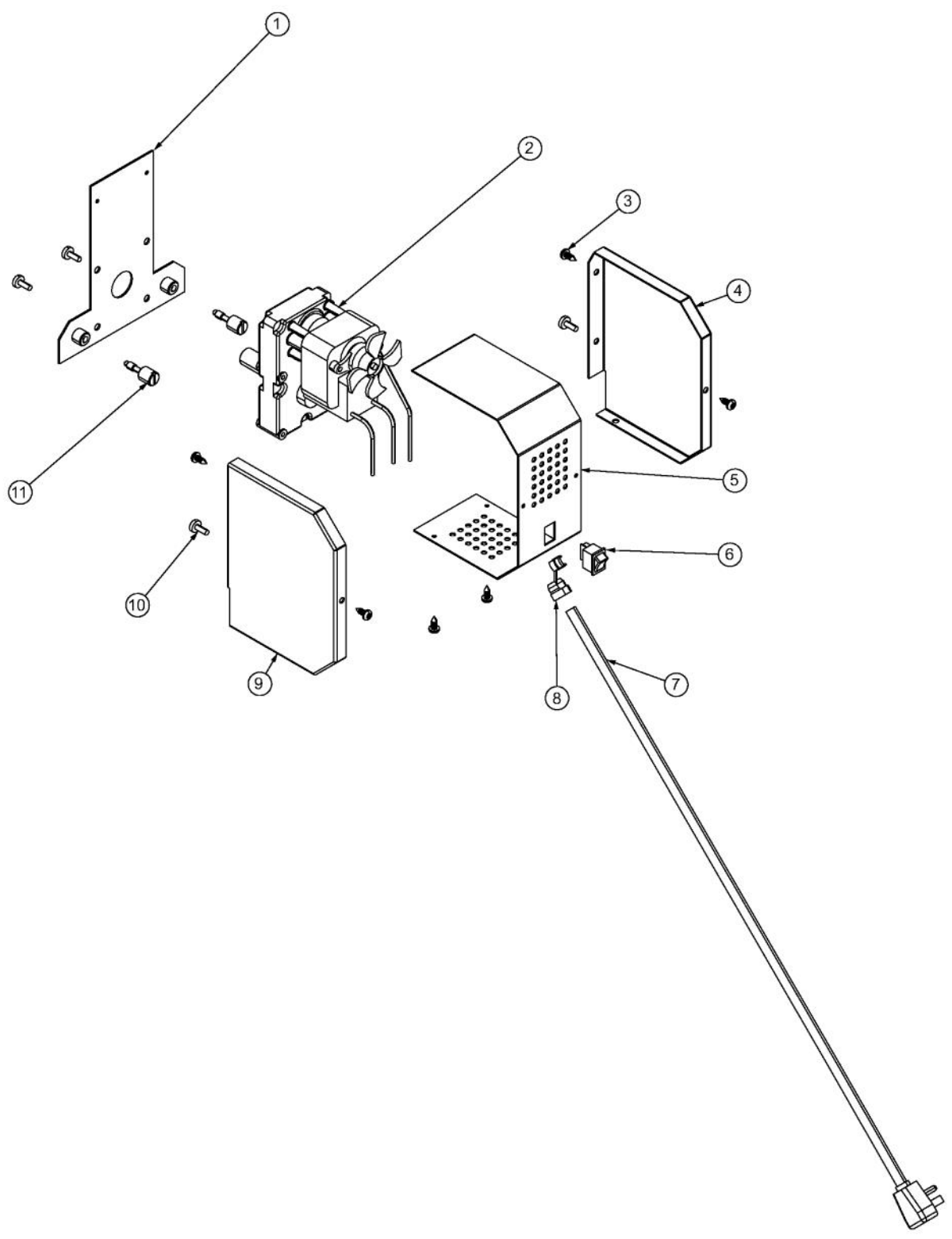
Ref #	Part Number	Qty.	Description
1	027296-000	1	PANEL, CTRL
2	PE050063	2	SPARKER SWITCH
3	008026-000	12	NO.6-20 HEX WASHER SS SCREW
4	PD030050	4	10-24 CAGE NUT SS
5	020051-000	4	SCR, DR, PHLP,PNH, 410SS, NPLT, 10-16 X 1/2
6	007657-000	1	PROT. COVER
7	PD020073	2	SRW NO.10 X 24 X 3/8 WAFER HD TYPE23
8	006021-000	1	SCE, PWR, LED, 12VAC
9	002884-000	3	MANIFOLD PLUG
10	PB040228	2	FITTING BRASS COMPRESSION NUT
11	025723-000	1	MANIFOLD, GRL, 53
12	023650-000	1	NIPPLE, ASM
13	PB040046	2	1/2 CLOSE NIPPLE (VGSO166)
14	PA070006	1	PRESSURE REGULATOR - NATURAL
15	023652-000	1	COUPLER, ASM
16	PB020239	1	7/8 FLARE TO 1/2 FEMALE CONNECTOR
17	PB040263	2	5/16 FERRULE
18	PB010191	2	I.R. SAFETY VALVE (PHASE II GRILLS)
19	006388-000	4	GAS VALVE - NAT.
20	PD010012	9	VALVE BOLT 1/4-20 UNC-2B 5/16 M.S.
21	G3005221	1	LANDING LEDGE ASSY - 53
22	005999-000	6	LED BOARD ASSEMBLY
23	PE050019	1	OVEN LIGHT SWITCH (VGSO166) 90-DEG.
24	PD020056	4	NO.10-24 X 1/2 PH.TR. M.S. SS
25	PB010163	3	OVEN LIGHT SWITCH KNOB BK
26	PB010304	6	KNOB BEZEL
27	003561-000	4	OUTDOOR GRILL KNOB
28	003563-000	2	ROTIS BURNER KNOB
29	020041-000	6	SCR, DR, PH, PNH, 410 SS, NPLT, 6-20 X 3/8
30	PD030006	2	CAPPED WASHER PAL NUT
31	015009-000	1	OUTDOOR LOGO - 3 CHROME



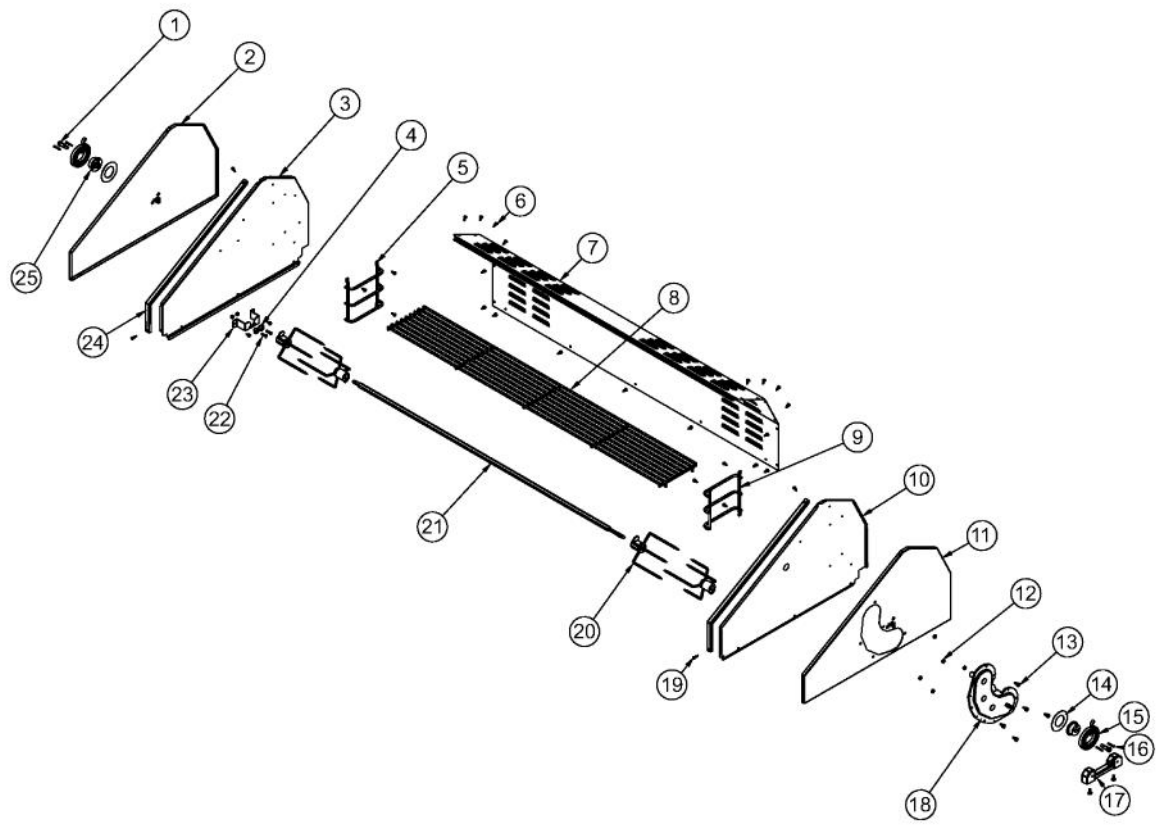
Ref #	Part Number	Qty.	Description
1	J2101749	2	GREASE PAN
2	PD020082	4	10 X 24 COUNTERSUNK S.S. SCREW
3	B2005309	1	DRIP TRAY 41
4	PD030044	10	10-24 KEPS NUT SS
5	G3005215	1	DRIP TRAY SLIDE - RH
6	B2005316	1	DRIP TRAY RUNNER RH
7	020051-000	12	SCR, DR, PHLP,PNH, 410SS, NPLT, 10-16 X 1/2
8	PC020025	4	DRIP TRAY WHEEL
9	PD020056	5	NO.10-24 X 1/2 PH.TR. M.S. SS
10	B3005313	1	53 DRIP TRAY HANDLE
11	PD040004	6	GROMMET BUMPER
12	B2005317	1	DRIP TRAY RUNNER LH (PHASE 2)
13	G3005214	1	DRIP TRAY SLIDE - LH



Ref #	Part Number	Qty.	Description
1	020051-000	66	SCR, DR, PHLP,PNH, 410SS, NPLT, 10-16 X 1/2
2	001310-000	2	120V HALOGEN LIGHT
3	020041-000	2	SCR, DR, PH, PNH, 410 SS, NPLT, 6-20 X 3/8
4	000602-000	1	GRILL LIGHT HOUSING LH
5	G91015561	1	53 FRONT HOUSING WELD ASSEMBLY
6	G3005289	2	BURNER,ASM,,ASM,IR,20
7	PB050060	2	I/R VENTURI (PHASE 2 BBQ)
8	PB040124	2	90 DEG. ORIFICE FITTING
9	PB020096	2	48 5/16 S.S. FLEX TUBING REPL F2003505
10	000603-000	1	GRILL LIGHT HOUSING RH
11	PB040280	2	FLEXIBLE ROTISSERIE IGNITOR
12	B2005347	2	INFRARED FRAME
13	G91015546	1	53 FRONT HOUSING WELD ASSY
14	E9107203	1	FRONT HOUSING 53
15	PB010210	2	FULL THERMOCOUPLE
16	B20015518	1	IR IGNITOR BRACKET 53
17	B20015521	1	53 RH ROTISSERIE IGNITOR COVER
18	PD030048	2	THERMOCOUPLE NUT M08-VGBQ-8743300007
19	B20015402	1	I/R IGNITOR COVER LH
20	PB040160	2	WOK IGNITER
21	B20015403	1	IR IGNITOR BRACKET
22	B20015401	2	FLEXIBLE IGNITOR STANDOFF
23	PD020139	4	NO.8 X 1/2 P.H. FLAT TOP TRUSS U/C NO.2 TYPE AB 30 SS/...



Ref #	Part Number	Qty.	Description
1	002081-000	1	ROT MOTOR MOUNTING PLATE ASSY
2	PE070184	1	ROTISSERIE MOTOR
3	020051-000	6	SCR, DR, PHLP,PNH, 410SS, NPLT, 10-16 X 1/2
4	B2005285	1	PHASE II ROTIS BOX FRONT
5	B2005286	1	PHASE II ROTIS COVER
6	PE050051	1	ROTISSERIE SWITCH
7	PE070189	1	ELECTRICAL SUPPLY CORD - BBQ GRILL
8	PD040044	1	SNAP THRU BUSHING 1/4DIA CORD
9	B2005284	1	PHASE II ROTIS BOX FRONT
10	PD020056	4	NO.10-24 X 1/2 PH.TR. M.S. SS
11	PD010090	2	ROTISSERIE FASTENER KNOB



Ref #	Part Number	Qty.	Description
1	034607-000	2	FASTENER, BOLT, 5/16 - 1-1/2
2	G5005257	1	OUTSIDE WINDSHIELD ASSY LH
3	B20015419	1	INSIDE WINDSHIELD LH
4	PC020025	2	DRIP TRAY WHEEL
5	PB060113	1	WARMING RACK SUPPORT LH
6	020051-000	25	SCR, DR, PHLP,PNH, 410SS, NPLT, 10-16 X 1/2
7	003654-000	1	53 GRILL REAR COVER
8	PB060050	1	WARMING RACK 53 FULL
9	PB060112	1	WARMING RACK SUPPORT RH
10	B20015418	1	INSIDE WINDSHIELD RH
11	G5005256	1	OUTSIDE WINDSHIELD ASSY RH
12	PD030044	7	10-24 KEPS NUT SS
13	PD020056	7	NO.10-24 X 1/2 PH.TR. M.S. SS
14	007818-000	2	RETAINER, CANOPY SPRING
15	007257-000	2	CANOPY, SPRING, ASSIST- 53
16	006779-000	4	NO.6-32 X 1.0 SS FLAT HD SCREW
17	PB060055	1	ROTISSERIE MOUNT CASTING
18	PC070024	1	ROTIS. GEAR BOX ASSY
19	020037-000	4	SCR, DR, FCSKHP, 410 SS, NPLT, 8-18 X 3/4
20	PB060058	4	SPIT FORK
21	PB060052	1	ROTIS SPIT ROD 53
22	PD020082	2	10 X 24 COUNTERSUNK S.S. SCREW
23	B2005278	1	ROTISSERIE ROLLER BRACKET (PHASE 2)
24	B20015574	2	GRILL WINDSHIELD TRIM
25	005942-000	2	SPRING INDEX

*No Image
Available*

Ref #	Part Number	Qty.	Description
NI	026340-000	1	HARNESS, MAIN, 5304RE2