

This Owner's Manual is provided and hosted by [Appliance Factory Parts](#).



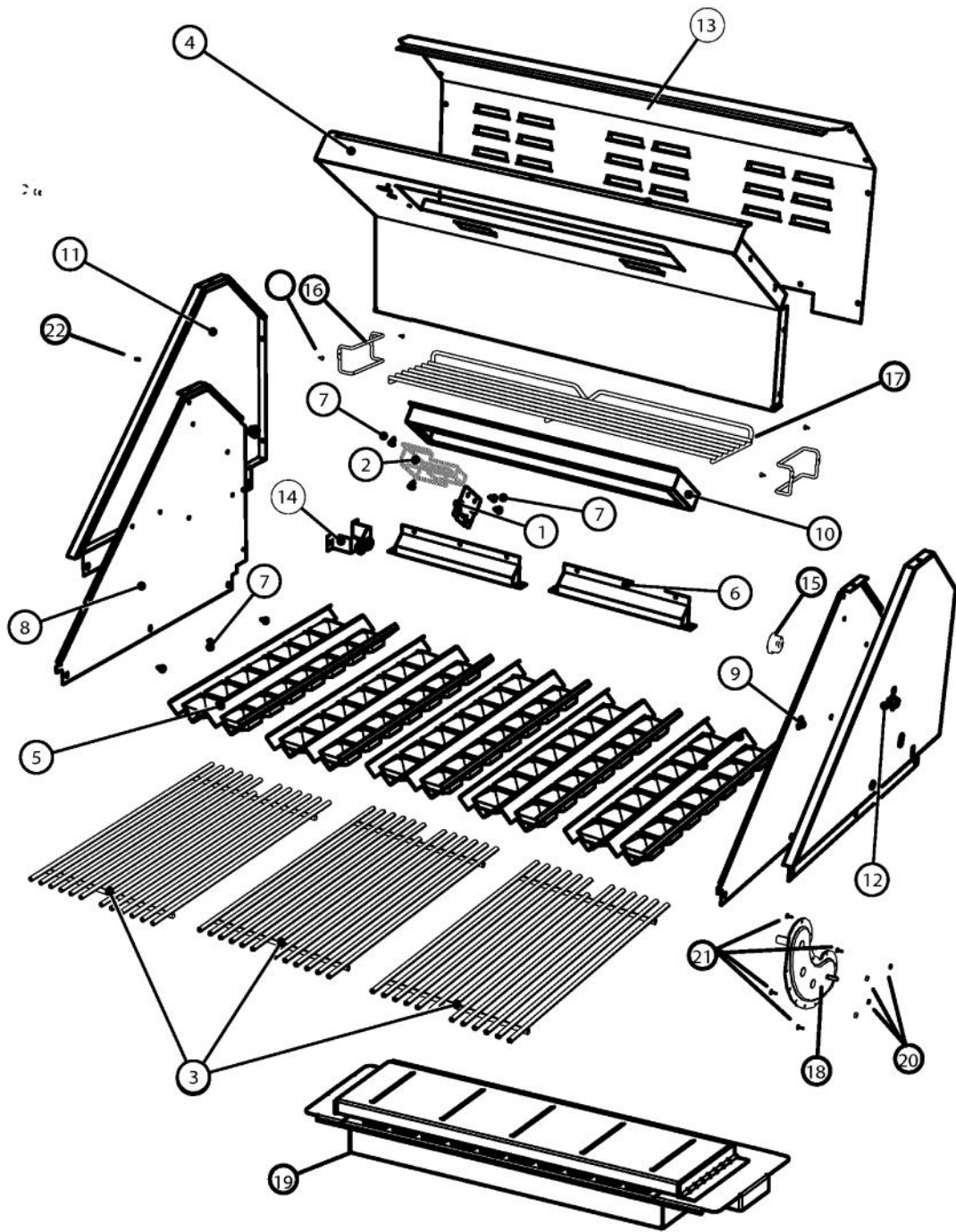
VIKING VGBQ53624 Owner's Manual

[Shop genuine replacement parts for VIKING
VGBQ53624](#)

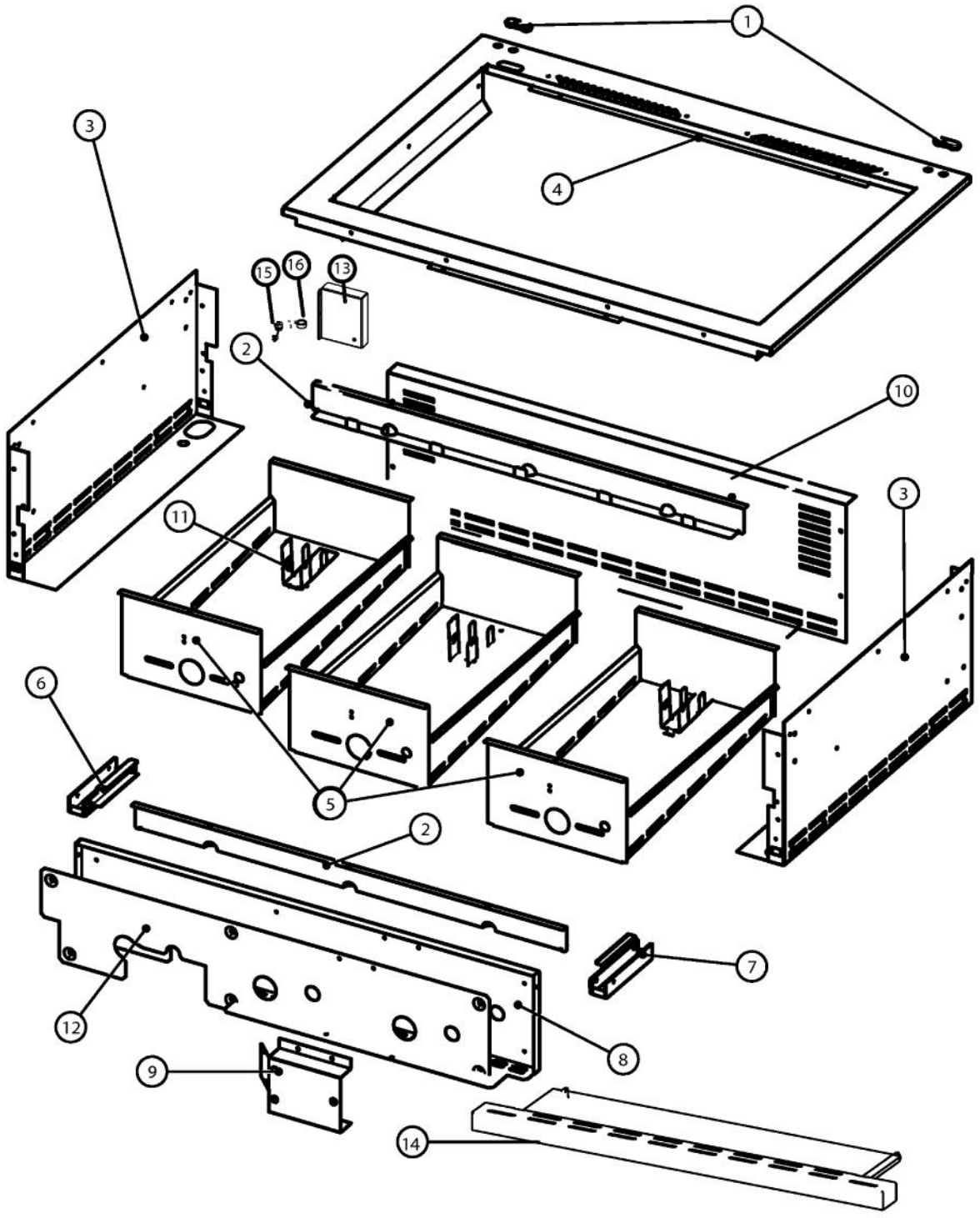


[Find Your VIKING Grill Parts - Select From 210 Models](#)

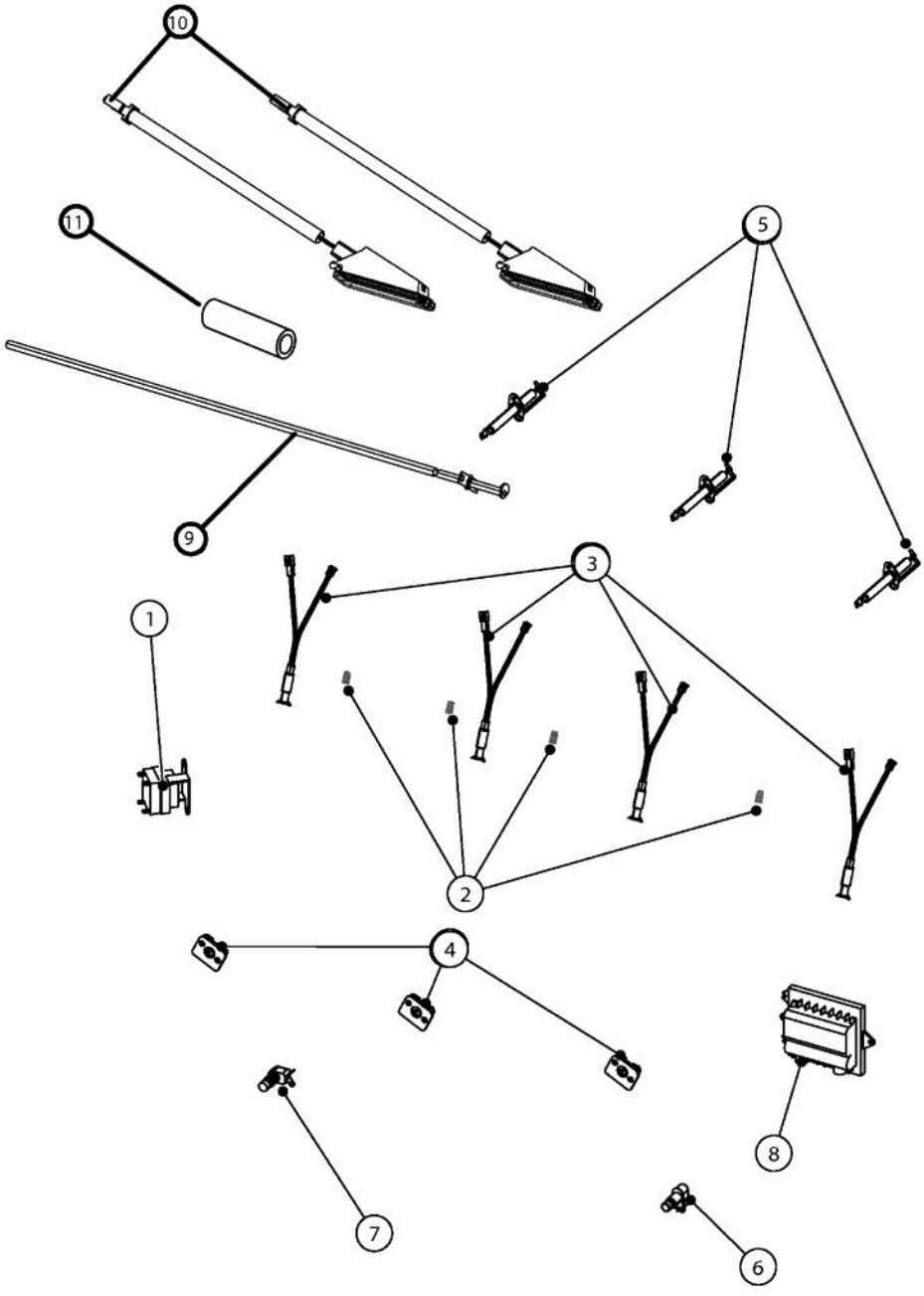
----- Manual continues below -----



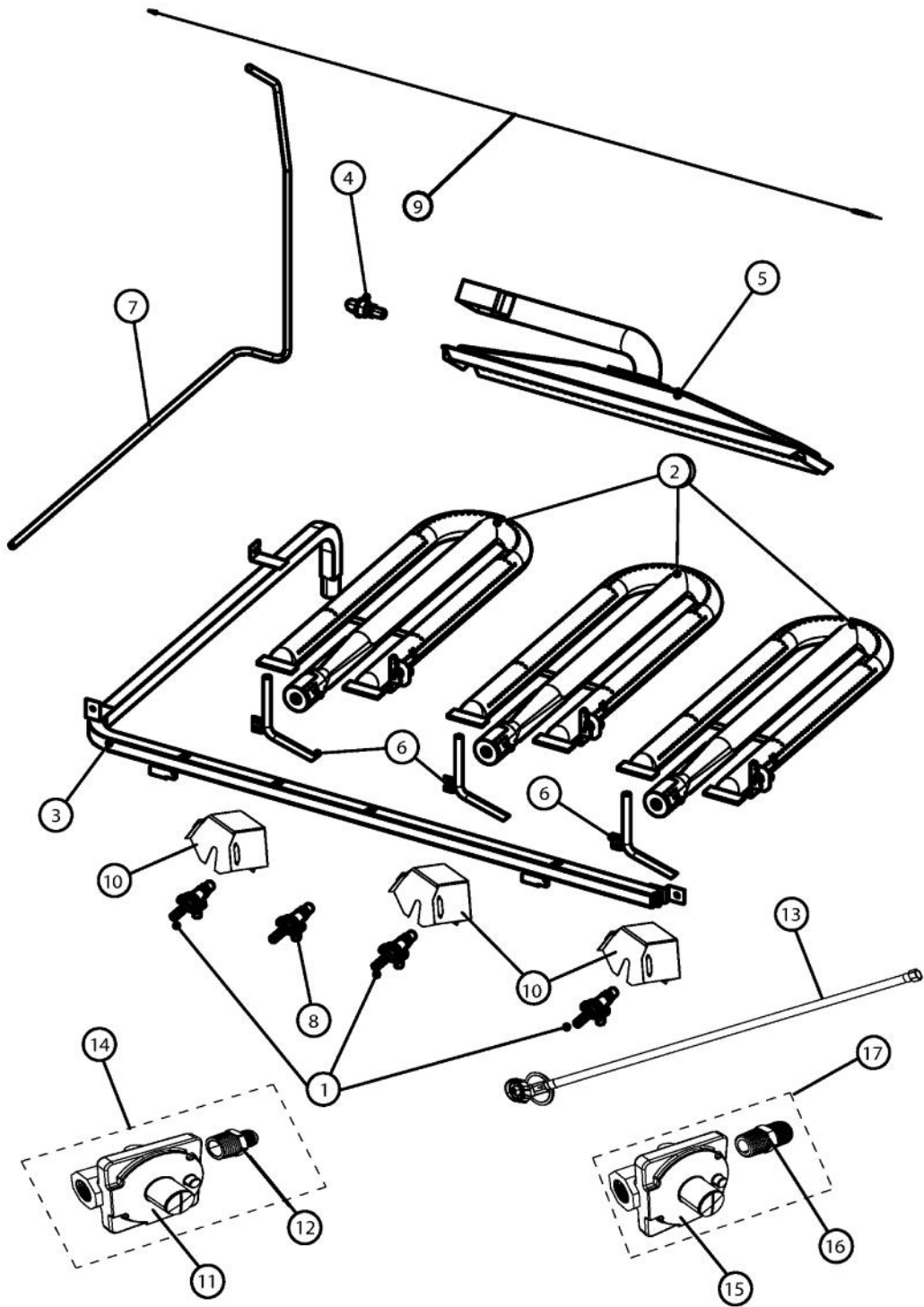
| Ref # | Part Number | Qty. | Description |
|-------|-------------|------|------------------------------------|
| 1 | 029454-000 | 1 | BRACKET, ROTIS IGNITOR, MTG |
| 2 | 029457-000 | 1 | COVER, ROTIS IGNITOR |
| 3 | 032164-000 | 3 | GRATE, GRILL, 36 |
| 4 | 031871-000 | 1 | BACKPLATE, BQ, INT, 36 |
| 5 | 032370-000 | 5 | TRAY, CRMC, BRIQUETTE, ASM |
| 6 | 035136-000 | 2 | FLUE DIVERTER |
| 7 | 037304-000 | 88 | FASTENER, PNH, TORX, AB, PSVD, WAX |
| 8 | 040745-000 | 1 | WINDSHIELD, BQ, IS, LH |
| 9 | 040775-000 | 1 | WINDSHIELD, BQ, OS, RH |
| 10 | B2005347 | 1 | INFRARED FRAME |
| 11 | 045830-000 | 1 | WINDSHIELD, BQ, ASM LH |
| 12 | 045831-000 | 1 | WINDSHIELD, BQ RH ASM W/ROTIS |
| 13 | 046860-000 | 1 | PANEL REAR BQ |
| 14 | 037589-000 | 1 | ROLLER, BRKT, ROTIS, ASM |
| 15 | 005942-000 | 2 | SPRING INDEX |
| 16 | 031598-000 | 2 | HANGER, WARMING RACK |
| 17 | 046993-000 | 1 | RACK, WARMING, 36 |
| 18 | PC070024 | 1 | ROTIS. GEAR BOX ASSY |
| 19 | 045515-000 | 1 | SMOKER BOX ASSY |
| 20 | PD030044 | 8 | 10-24 KEPS NUT SS |
| 21 | PD020056 | 8 | NO.10-24 X 1/2 PH.TR. M.S. SS |
| 22 | 034607-000 | 2 | FASTENER, BOLT, 5/16 - 1-1/2 |



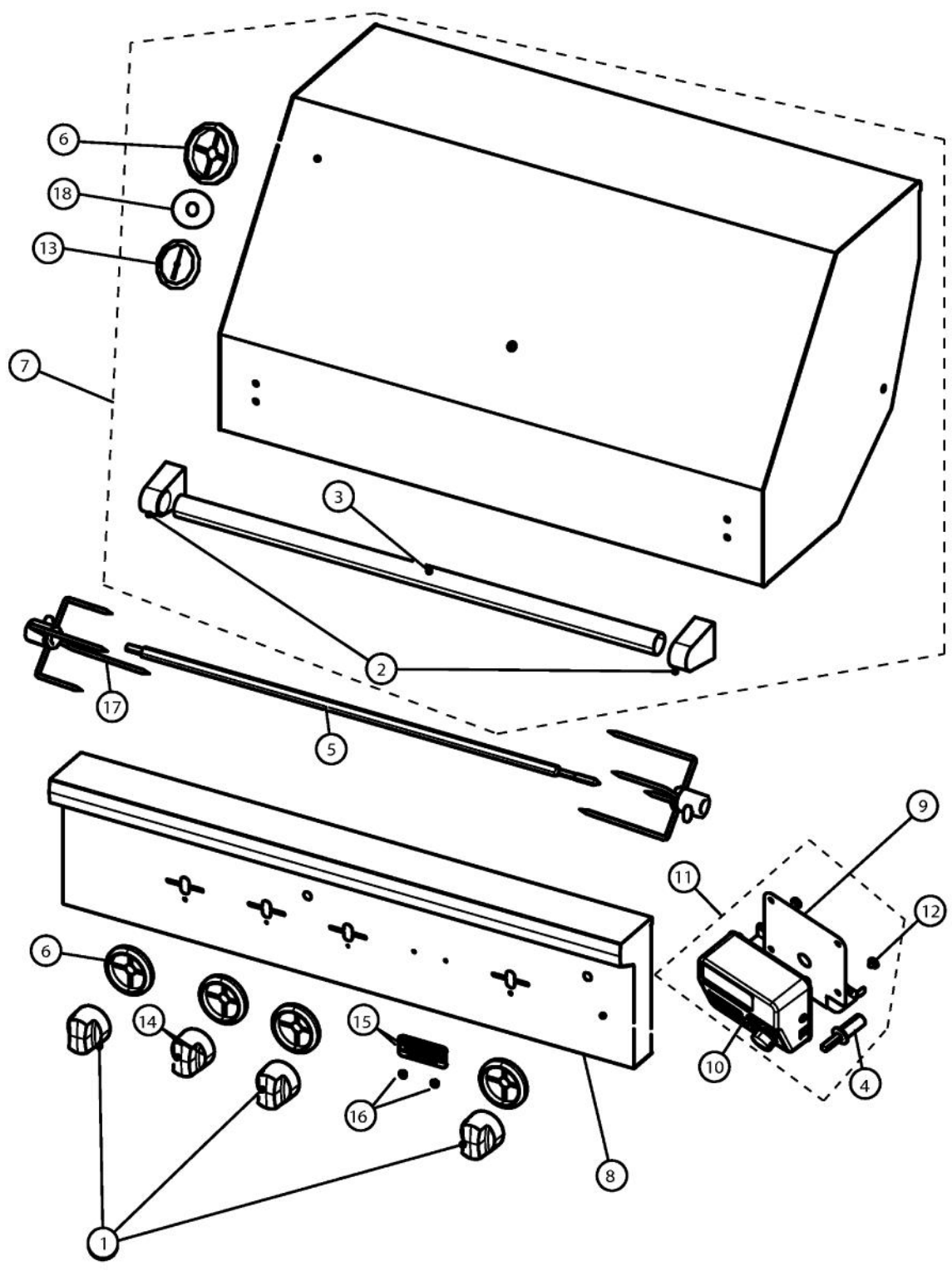
| Ref # | Part Number | Qty. | Description |
|-------|-------------|------|----------------------------------|
| 1 | 02671-000 | 2 | RUBBER DOOR BUMPER |
| 2 | 035984-000 | 2 | SUPPORT, TRAY, BRIQUETTE, 36 |
| 3 | 029459-000 | 2 | PANEL, LWR SIDE |
| 4 | 031195-000 | 1 | FRAME, GRILL, TOP, 36 |
| 5 | 031232-000 | 3 | BOX, U BURNER, 36 |
| 6 | 031544-000 | 1 | GUIDE, DRIP TRAY, LH ASM |
| 7 | 031551-000 | 1 | GUIDE, DRIP TRAY, RH ASM |
| 8 | 035338-000 | 1 | PANEL, SUPPORT, HEAT SHIELD |
| 9 | 031570-000 | 1 | BRACKET, MOUNTING, MODULE |
| 10 | 032167-000 | 1 | BRACKET, BACK SUPPORT, VGBQ13603 |
| 11 | 032239-000 | 3 | BRACKET, REAR GRILL BURNER |
| 12 | 035133-000 | 1 | PANEL, HEAT SHIELD, FRONT |
| 13 | 035094-000 | 1 | CHANNEL, WIRE |
| 14 | 031918-000 | 1 | DRIP TRAY ASM, BQ 36 |
| 15 | PD040044 | 1 | SNAP THRU BUSHING 1/4DIA CORD |
| 16 | PD040005 | 2 | SNAP BUSHING - 7/8 |



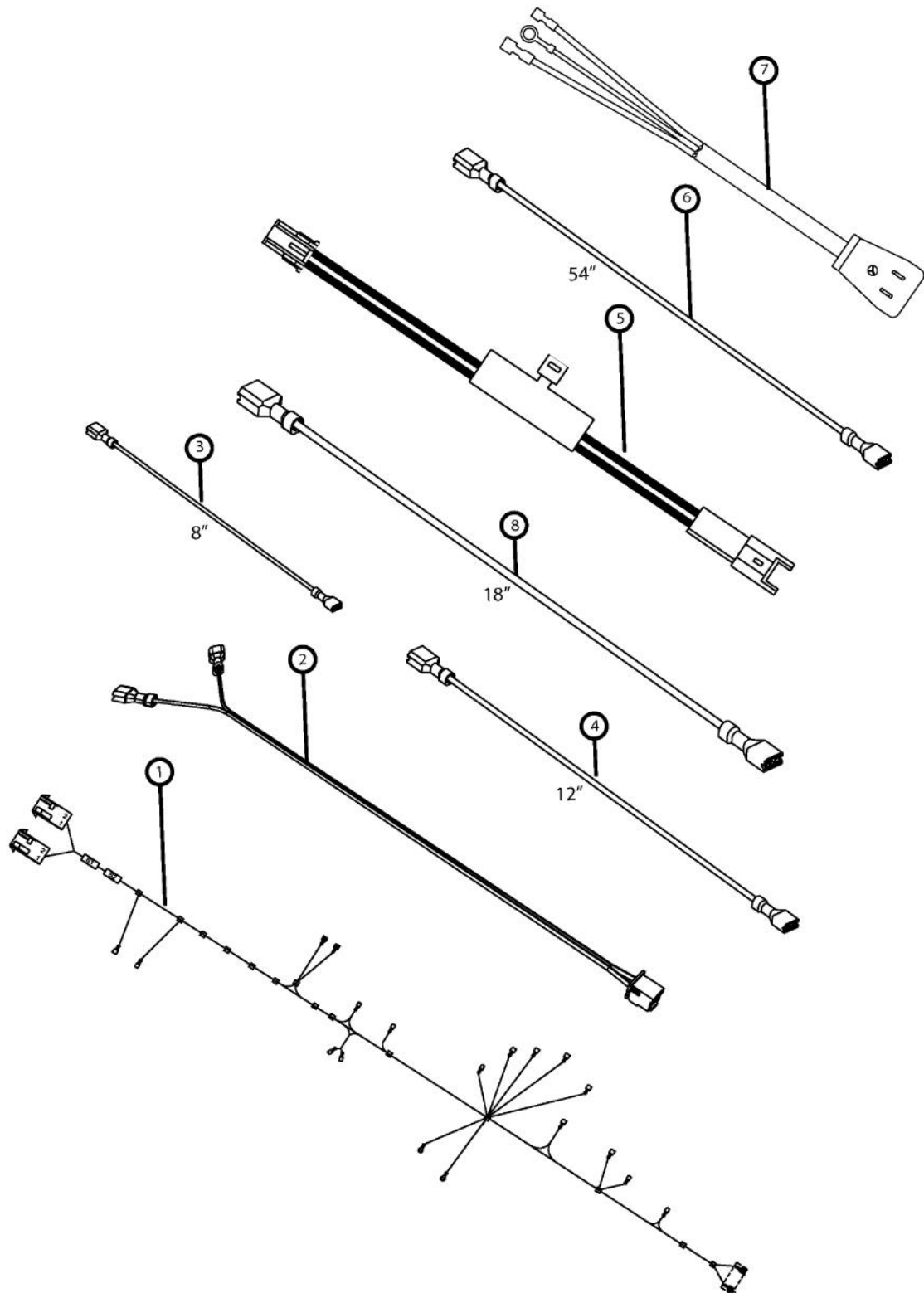
| Ref # | Part Number | Qty. | Description |
|-------|-------------|------|---|
| 1 | 006021-000 | 1 | SCE, PWR, LED, 12VAC |
| 2 | 044350-000 | 4 | LENS, COVER, LED, BLUE |
| 3 | 044929-000 | 4 | LAMP, LED, 12VDC, WHITE, PLUG, RECEP, ASM |
| 4 | PA020045 | 3 | IGNITOR SWITCH |
| 5 | PB040288 | 3 | SMOKER BURNER IGNITER |
| 6 | PE050063 | 1 | SPARKER SWITCH |
| 7 | PE050019 | 1 | OVEN LIGHT SWITCH (VGSO166) 90-DEG. |
| 8 | PA020047 | 1 | INVENSYS 0+4 RE-IGNITION SPARK MODULE |
| 9 | 048238-000 | 1 | IGNITOR, GRILL, W/WIRE ASM |
| 10 | 034082-000 | 2 | 120V HALOGEN LIGHT ASM |
| 11 | 039137-000 | 1 | TUBING, INSUL, GAS IGNITOR |



| Ref # | Part Number | Qty. | Description |
|-------|-------------|------|---|
| 1 | 014952-000 | 3 | VALVE, GAS, ASM, U BNR |
| | 014953-000 | | VALVE, GAS, ASM, U BNR - LP |
| 2 | 029479-000 | 3 | U-BURNER, BQ ASM |
| 3 | 031197-000 | 1 | MANIFOLD, VGBQ13603 |
| 4 | PB040124 | 1 | 90 DEG. ORIFICE FITTING |
| | PB040125 | 1 | ORIFICE FTG 90D 20IR NO.57 HD YELLOW |
| 5 | G3005289 | 1 | BURNER,ASM,,ASM,IR,20 |
| 6 | PB020114 | 3 | FLASH TUBE (VGBQ3002T) |
| 8 | 038629-000 | | VALVE, RTSR, ASM, NAT |
| | 038657-000 | | VALVE, RTSR, ASM, LP |
| 9 | 042576-000 | | THERMOCOUPLE |
| 7 | PB020096 | | 48 5/16 S.S. FLEX TUBING REPL F2003505 |
| 10 | 033701-000 | | COVER, VALVE |
| 11 | PA070005 | 1 | PRESSURE REG.(LP) RV47L-77-10.0 |
| 12 | 041140-000 | 1 | COMPRESSION MALE FITING |
| 13 | 043204-000 | 1 | HIGH PRESSURE LP REGULATOR AND HOSE ASSY |
| 14 | 043216-000 | 1 | LP REGULATOR AND COMPRESSION MALE FLARE ADAPTO... |
| 15 | PA070006 | 1 | PRESSURE REGULATOR - NATURAL |
| 16 | 043747-000 | 1 | COMPRESSION MALE FITING |
| 17 | 043217-000 | 1 | REGUALATOR, NAT ASSY |



| Ref # | Part Number | Qty. | Description |
|-------|-------------|------|--|
| 1 | 035901-000 | 3 | KNOB,GRL,WOK,PRO CR3 |
| 2 | 026965-000 | 2 | END CAP, ASM, DOOR HANDLE |
| 3 | 031211-000 | 1 | HANDLE, DOOR, 36 |
| 4 | 037377-000 | 1 | ADAPTER, HEX, ROTISSERIE MOTOR ADAPTER |
| 5 | 031219-000 | 1 | SPIT, RTSR ROD 36 |
| 6 | PB010304 | 4 | KNOB BEZEL |
| 7 | 046927-000 | 1 | HOOD, BQ, OUTER, ASM |
| 8 | 047018-2656 | 1 | CONTROL PANEL ASM, W/GRAPHICS |
| 9 | 043284-000 | 1 | ROTIS MOTOR BRACKET |
| 10 | 032461-000 | 1 | MOTOR, ROTIS |
| 11 | 043708-000 | 1 | GRILL, MOT, MT, 304, RTSR ASSY |
| 12 | PD040004 | 2 | GROMMET BUMPER |
| 13 | 042720-000 | 1 | GAUGE, BMTL, TEMPERATURE |
| 14 | 038435-000 | 1 | KNOB, ROTISS, PRO, CR3 |
| 15 | PE010142 | 1 | 3 LOGO XBKXXCHROME |
| 16 | PD030006 | 2 | CAPPED WASHER PAL NUT |
| 17 | 032881-000 | 2 | FORK, RTSR |
| 18 | 026724-000 | 1 | SPACER, WSHR |



| Ref # | Part Number | Qty. | Description |
|-------|-------------|------|------------------------------------|
| 1 | 046823-000 | 1 | 36 WIRE HARNESS |
| 2 | 048482-000 | 1 | HARNESS, LED, JUMPER |
| 3 | 035561-000 | 1 | WIRE, IGNITOR, GRILL 8 |
| 4 | 035565-000 | 1 | WIRE, IGNITOR, GRILL 12 |
| 5 | 047027-000 | 1 | HARNESS, LED, POWER |
| 6 | 048317-000 | 1 | ROTISS, IGNITOR, EXTENSION |
| 7 | PE070189 | 1 | ELECTRICAL SUPPLY CORD - BBQ GRILL |
| 8 | G40016227 | 1 | IGNITOR WIRE 18 |