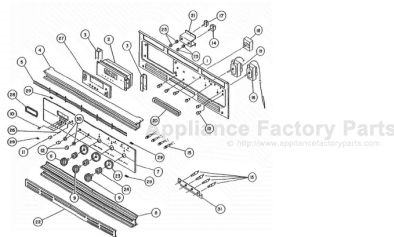


This Owner's Manual is provided and hosted by [Appliance Factory Parts](#).



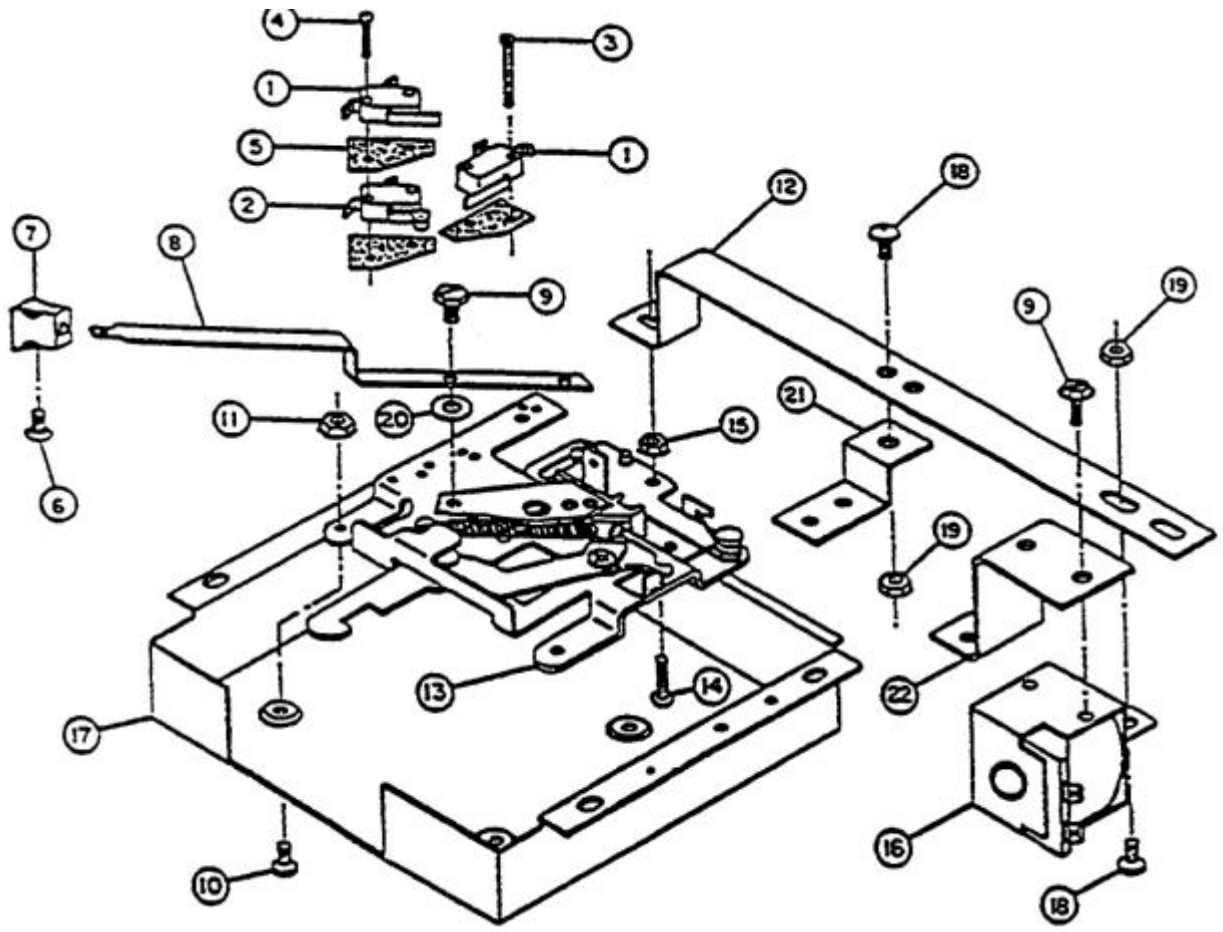
# VIKING VGDO270 Owner's Manual

[Shop genuine replacement parts for VIKING VGDO270](#)

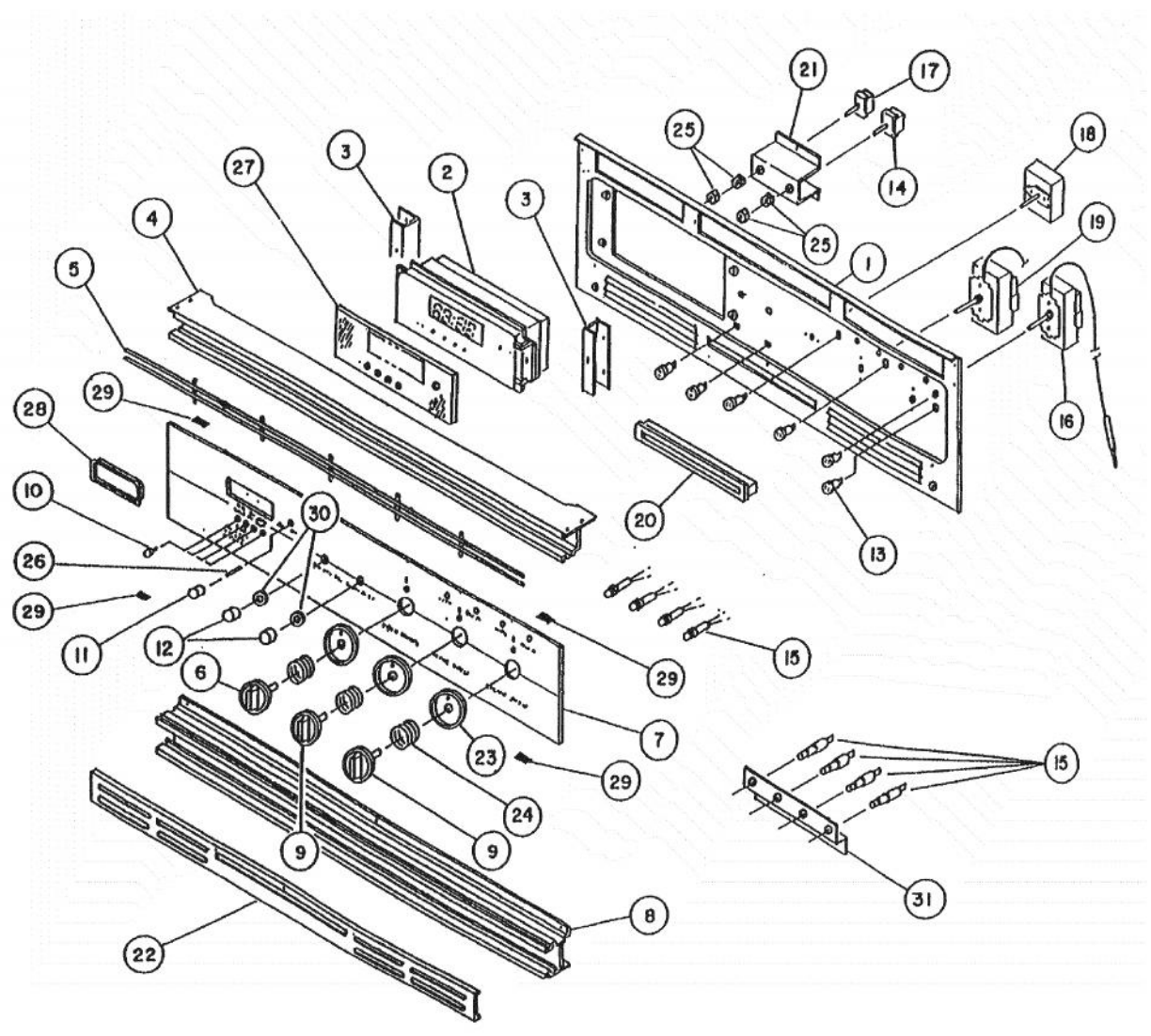


[Find Your VIKING Oven Parts - Select From 98 Models](#)

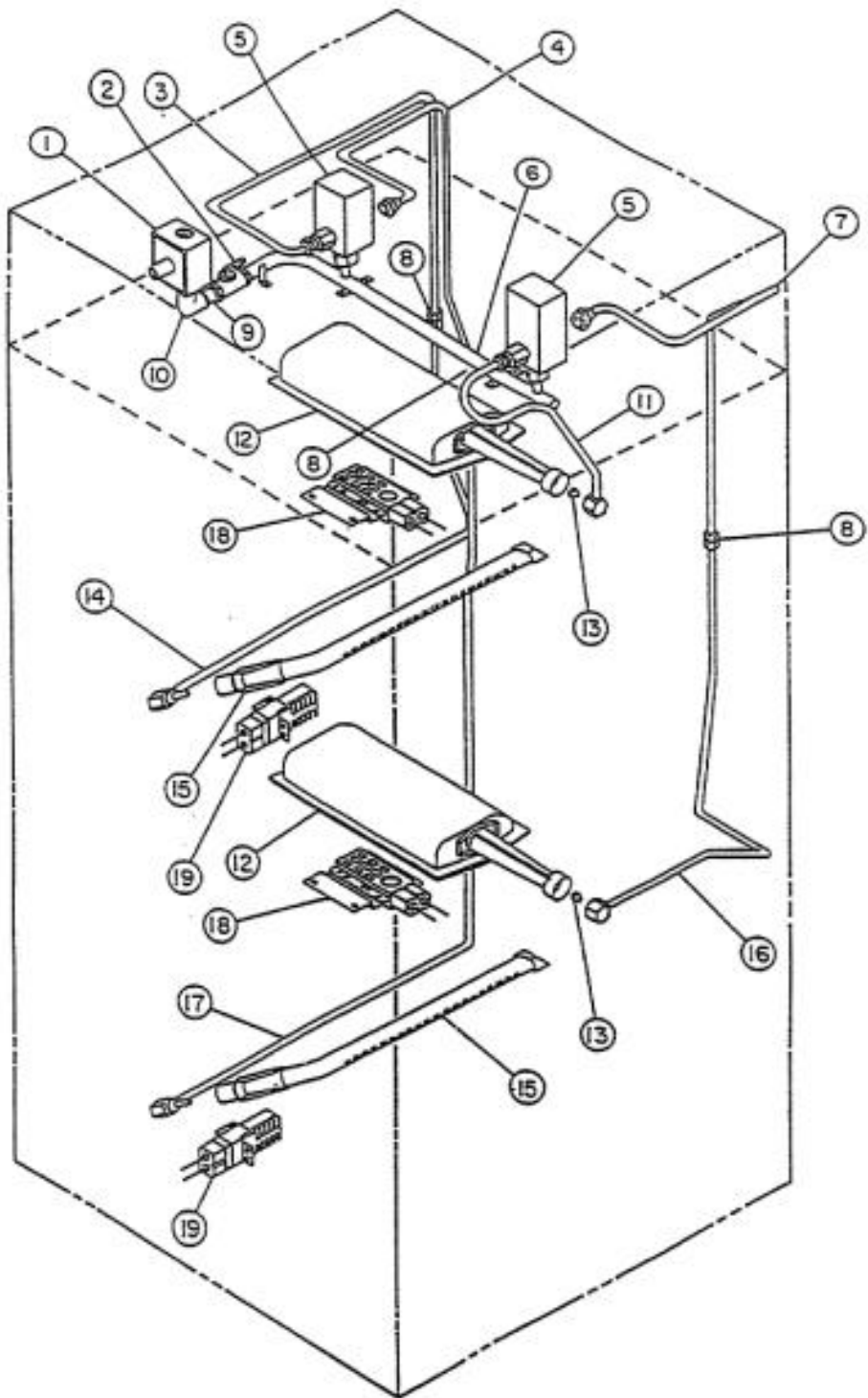
----- Manual continues below -----



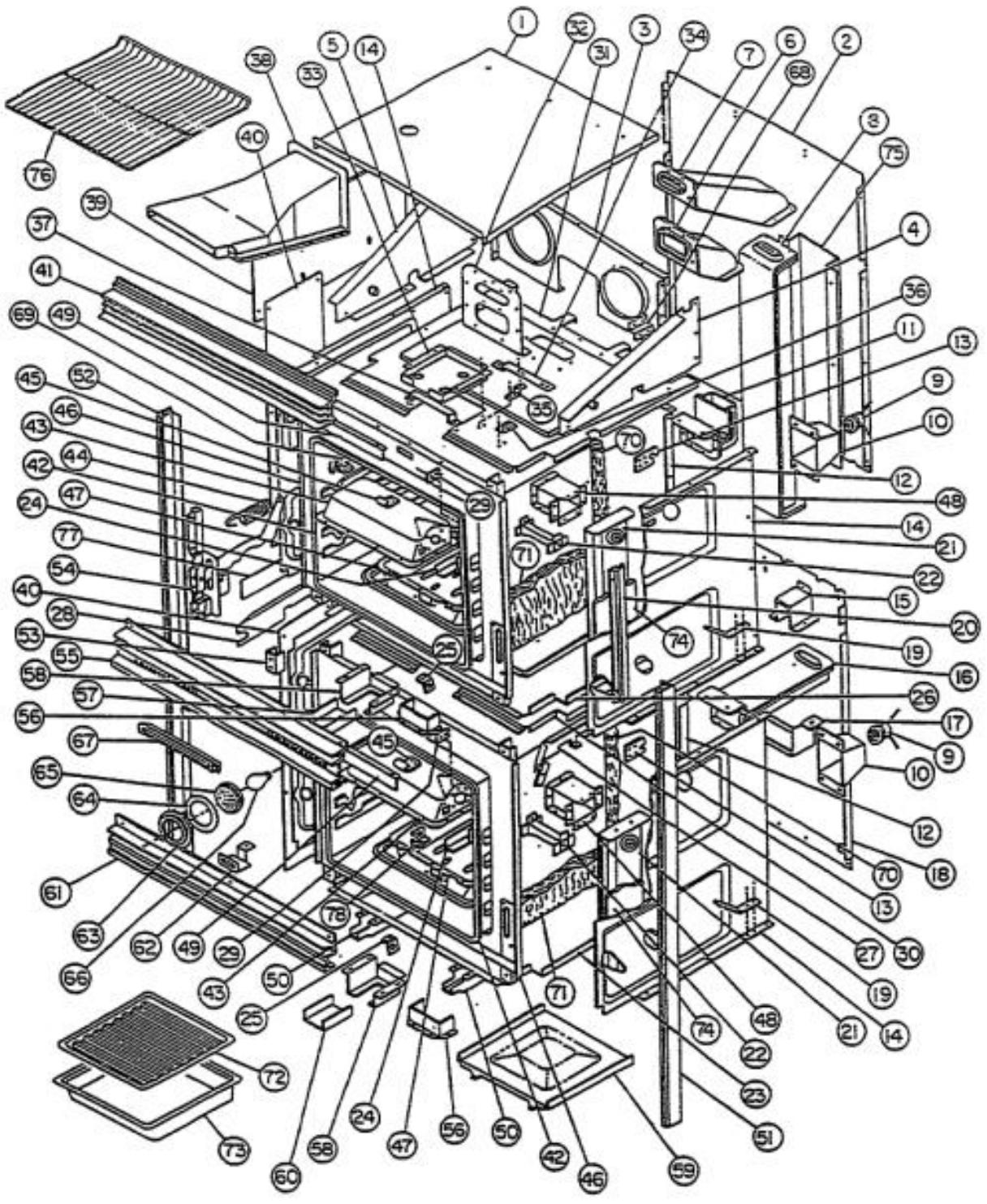
Ref #	Part Number	Qty.	Description
1	PE110027		DOOR LOCK SWITCH Y0067919
2	PE110028		MOMENTARY SWITCH
3	PE120019		SWITCH MOUNTING SCREW (0041826)
4	PG100001		SWITCH MOUNTING SCREW
5	PE140007		INSULATOR ESM DOOR LOCK ASY 0091523
6	PE120020		HANDLE MOUNTING SCREW (0041777)
7	PE150006		LATCH HANDLE
8	PE150007		LATCH ARM
9	PE120021		LATCH ARM SCREW (0041774)
10	PE120022		DOOR LOCK SCREW 0041765
11	PE120023		DOOR LOCK KEP NUT 0097885
12	PG100006		SOLENOID LEVER 0060832
13	PE110029		DOOR LOCK
14	PE120024		BRASS SCREW (DOOR LOCK) 0041773
15	PE120025		DOOR LOCK KEP NUT M0282005
16	NOLONGERAVAILAB...		SOLENOID - PE110030
17	PE100032		DOOR LATCH BRACKET 0060840
18	PE120026		SOLENOID SCREW (0060923)
19	PG100002		SOLENOID MOUNTING NUT
20	PG100003		LATCH ARM MOUNTING WASH/AMNO.3175095
21	PG100007		SOLENOID LEVER BRACKET
22	PG100008		SOLENOID BRACKET



Ref #	Part Number	Qty.	Description
1	PG100009		CONTROL PANEL MOUNTING BRACKET
2	SEE DISTRIBUTOR		ELECTRONIC TIMER
3	PE100002		TIMER MOUNTING BRACKET
4	PG100010		TRIM TOP CONTROL PANEL 0307158
5	PE100004		VENT GRILL 0301915
6	PG110001BK		SELECTOR KNOB (BLACK)
	PG110001WH		SELECTOR KNOB (WHITE)
7	PG110002BK		CONTROL PANEL GLASS (BLACK)
	PG110002WH		CONTROL PANEL GLASS (WHITE)
	PG110003		CONTROL PANEL (0302094)
8	PG100011		TRIM CONTROL PANEL BOTTOM 0301885
9	PG110004BK		THERMOSTAT KNOB - BK
	PG110004WH		THERMOSTAT KNOB (WHITE)
10	PE110004BK		SUB TO PB010113 - KNB TMR/CLK XBK0060731
	PE110004WH		TIMER/CLOCK KNOB XWH DO/SO 0303448
11	PE110005BK		CLOCK SET KNOB XBK(SO/DO) 0060730
	PE110005WH		CLOCK SET KNOB XWH(SO/DO) 0303420
12	PE110006BK		OVEN LIGHT KNOB (BLACK) 0303405
	PE110006WH		OVEN LIGHT KNOB (WHITE) 0303423
13	PE120001		TERMINAL BUSHING 2-POLE 0042012
14	PE110007		UPPER/LOWER OVEN LIGHT SW. 0303400
15	PE110008		INDICATOR LIGHT - SS
	PE110009		INDICATOR LIGHT(COLORS ONLY)042183
16	PG120001		THERMOSTAT UPR/LWR OVEN (Y0304805)
17	PE110007		UPPER/LOWER OVEN LIGHT SW. 0303400
18	PG120002		SELECTOR SWITCH
19	PG120001		THERMOSTAT UPR/LWR OVEN (Y0304805)
20	PE100006		LATCH HANDLE GUIDE
21	PG100012		OVEN LIGHT SWITCH MOUNTING BRACKET
22	PE100008		CONTROL PANEL BOTTOM TRIM INSERT
23	PE100010		BEZEL KNOB CHROME 0302084
	PB010085		KNOB BEZEL
24	PG100004		KNOB TO SKIRT SPRING
25	PG100005		LOCK NUT
26	PE110012BK		BIT GENERATOR SHAFT XBK 0300933B
	PE110012WH		BIT GENERATOR SHAFT - WH
27	PE140001		LENS ELEC TIMR LENS VEDO/SO 0302085
28	PE100009		CLOCK WIN BEZEL REPL PE040070
29	PG120003		PAD, INSULATION (CONTROL PANEL)
30	PE120002		BEZEL NUT
31	PE100011		BRACKET INDICATOR LIGHT 0305463
NI	PG120004		WIRE JUMPER



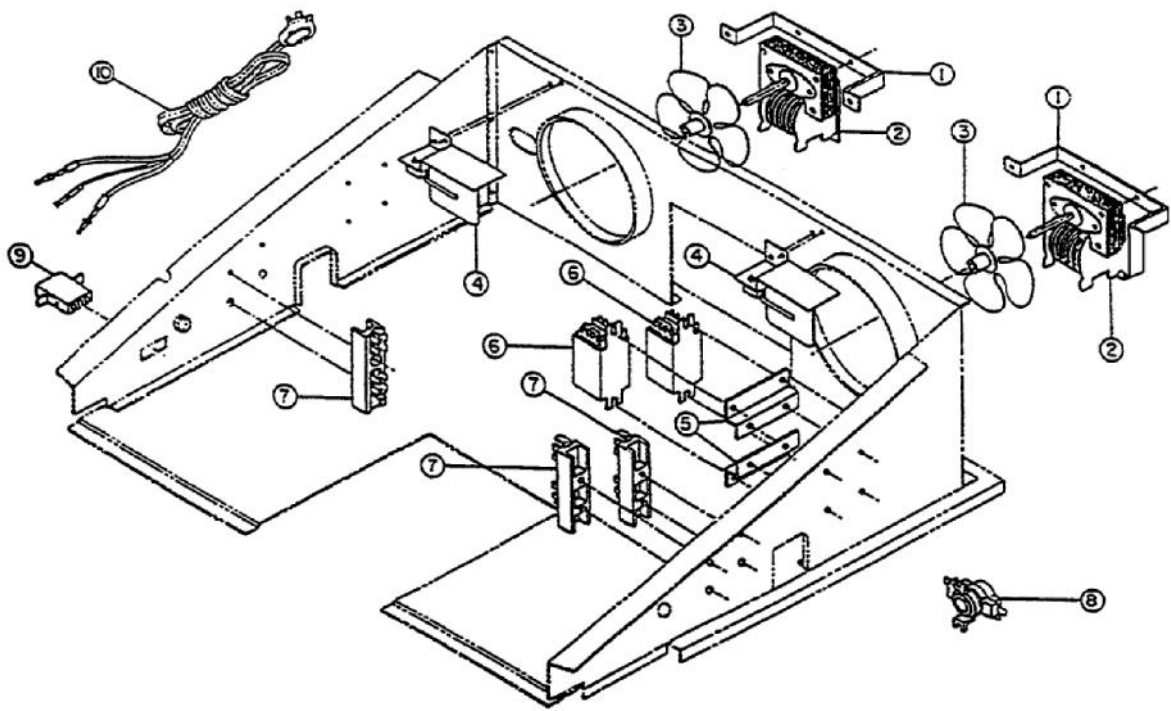
Ref #	Part Number	Qty.	Description
1	PG130001		REGULATOR 5/10 SIDE INLET 0063684
2	PG130002		VALVE SHUT OFF Y0314271
3	PG130003		TUBING-UPPER BAKE UNION TO GAS VALV
4	PG130004		TUBING LWR UNION TO VALVE 0304098
5	PG130005		VALVE DUAL THERMAL (Y0060750)
6	PG130006		MANIFOLD PIPE ASSY 0060751
7	PG130007		TUBING LWR UNION TO VALVE 0304097
8	PG130008		UNION
9	PG130009		NIPPLE PIPE BLACK 1/2 0097320
10	PG130010		PIPE ELBOW 1/2X90 DEGREE 0097408
11	PG130011		TUBE UPPER BROIL TO VALVE 0054839
12	PG130012		BROIL BURNER
13	PG130013		ORIFICE SPUD NAT NO.52 0060043
	PG130014		ORIFICE SPUD (L.P.) NO.59 (31865001)
14	PG130015		TUBE/HOOD UPPER BAKE 0054834
15	PG130016		BAKE BURNER 31761901
16	PG130017		TUBE LOWER BURNER TO UNION 0054837
17	PG130018		TUBING-LOWER BAKE TO UNION (VPS00070)
18	PG130019		BROIL IGNITOR ASSEMBLY
19	PG130020		BAKE IGNITOR ASSEMBLY



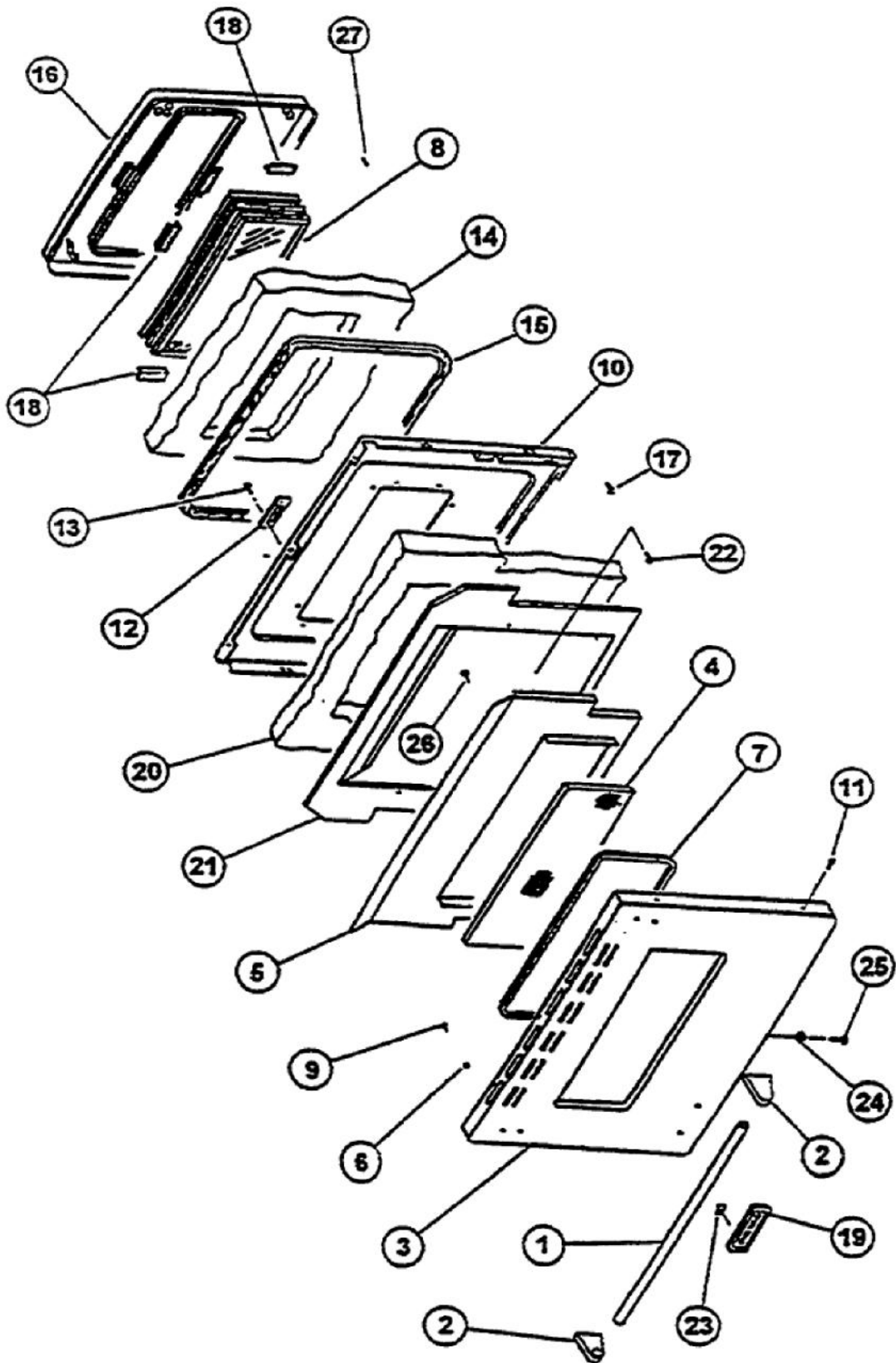


Ref #	Part Number	Qty.	Description
1	PG110005		TOP CABINET 0060843
2	PG110006		BACK CABINET UPPER 0059744
3	PG110007		CONTROL COMPARTMENT BACK 0060841
4	PG110008		CONTROL COMPARTMENT-R.H.
5	PG110009		CONTROL COMPARTMENT-L.H.
6	PG110010		FLUE W/A UPPER OVEN 0060799
7	PG110011		FLUE W/A LOWER OVEN 0060805
8	PG110012		FLUE VERTICAL LOWER OVEN 0060808
9	PG110031		OVEN LAMP SOCKET
10	PG110030		LAMP CUP
11	PG110013		FLUE W/A VERT UPPER OVEN 0060802
12	PG110014		REAR INSULATION RETAINER
13	PG100013		BRACKET OVEN MOUNTING 0041017
14	PE130011		RETAINER SIDE INSULATION 0060774
15	PG100014		REAR OVEN SUPPORT
16	PG110015		FLUE HORIZONTAL W/A 0060811
17	PG110016		RETAINER INSULATION FLUE 0060784
18	PG110017		SUB TO PE130012 - BACK LOWER CABINET
19	PE130014		RETAINER SPRING 0060759
20	PG110018		CAPILLARY COVER
21	PG110019		AIR DUCT VERTICAL W/A 0060819
22	PG110020		WIRE PROTECTOR W/A 0060787
23	PG110021		LOWER OVEN BOTTOM
24	PG110022		THERMAL BULB SHIELD
25	PG100015		BRACKET BAKE ORIFICE 0060846
26	PG110023		OVEN BOTTOM W/A UPPER 0059593
27	PG110024		CHANNEL AIR RIGHT 0060835
28	PG110025		CHANNEL AIR LEFT 0060834
29	PG110026		CAPILLARY HOLE COVER
30	PG110027		OVEN TOP LOWER OVEN 0060837
31	PG110028		TOP OVEN UPPER OVEN 0060829
32	PG100016		BRACKET FLUE SUPPORT 0060824
33	PG100017		DOOR LATCH BRACKET
34	PG100006		SOLENOID LEVER 0060832
35	PG100007		SOLENOID LEVER BRACKET
36	PG100008		SOLENOID BRACKET
37	PG110029		TERMINAL SHIELD
38	PG110032		FLUE-WAY CONTROL PANEL 31824201
39	PG110035		SIDE CABINET UPPER 0060770
40	PG110036		PANEL SIDE 0052366
41	PE100005		CONTROL PANEL BOTTOM TRIM
42	PG120005		OVEN CAVITY
43	PG120006		CHAMBER BROIL BURNER 0059415
44	NOLONGERAVAILAB...		OVEN DOOR SPRING - PE120004
45	PG120007		CLIP COVER
46	NON-REPLACABLE		FRONT FRAME
47	PG120009		BURNER BOX BAKE 0060847
48	PG120010		AIR DUCT
49	PG120011		CLIP COVER
50	PG100018		RUNNER BASE 0060849
51	PE100013		SIDE TRIM-R.H.
52	PE100016		SIDE TRIM-L.H. 0301887
53	PE100020		SUPPORT OVEN FRONT 0060838 - NLA
54	PG100019		HINGE ASSEMBLY
55	PE100018		TRIM CENTER 0301884
56	PG120012		RETAINER ORIFICE INSULATION 0060823
57	PG120013		CHANNEL AIR-UPPER BAKE 0054274
58	PG120014		SHIELD BAKE ORIFICE 0060814
59	PG120015		OVEN BOTTOM ASSEMBLY
60	PG120016		CHANNEL AIR-LOWER BAKE 0054275

Ref #	Part Number	Qty.	Description
60	PG120016		CHANNEL AIR-LOWER BAKE 0054275
61	PE100014		BOTTOM TRIM
62	PG100020		BRACKET MTG OVEN BURNER 0060766
63	PG110038		OVEN LIGHT LENS RETAINER
64	PG110039		OVEN LIGHT GASKET
65	PG110033		OVEN LIGHT LENS
66	PG110034		OVEN LAMP
67	PG100021		LATCH HANDLE GUIDE
68	PG100022		RELAY MOUNTING BRACKET
69	PG100023		BROIL BURNER MOUNTING BRACKET
70	PG120017		INSULATION-RACK
71	PG120018		INSULATION (OVEN SIDE)
72	PG120019		BROILER GRID 304451E
73	PG120020		SUB TO PE100030 - BROILER PAN
74	PG120021		INSULATION VERTICAL AIR DUCT
75	PG120022		RETAINER INSULATION 0054295
76	PG120023		WIRE RACK
77	PG110037		SIDE PANEL-CENTER
78	PG120024		WIRE COVER-BROIL IGNITER
NI	PG120025		INSULATION-TOP BUCKET
NI	PG120026		INSULATION-VERTICAL FLUE (BACK)
NI	PG120027		INSULATION-HORIZONTAL FLUE
NI	PE100015		TRIM BOTTOM INSERT 0301918
NI	PE100019		TRIM INSERT CENTER 0301917
NI	PE100008		CONTROL PANEL BOTTOM TRIM INSERT



Ref #	Part Number	Qty.	Description
1	PG100024		MOTOR MOUNTING BRACKET
2	PE110024		MOTOR FAN Y0042226
3	PG120029		FAN BLADE
4	PG120030		SAIL SWITCH
5	PG100022		RELAY MOUNTING BRACKET
6	PG120031		RELAY 0054074
7	PE110021		BLOCK TERMINAL 0042191
8	PE110015		SWITCH FAN SPDT Y0042056
9	PG120032		RECEPTACLE
10	PG120033		CORD SUPPLY 0054865



Ref #	Part Number	Qty.	Description
NI	PE130033AL		UPPER DOOR COMPLETE ASSY. - AL
	PE130033BK		UPPER DOOR COMPLETE ASSY. - BK
	PE130033BU		UPPER DOOR COMPLETE ASSY. - BU
	PE130033FG		UPPER DOOR COMPLETE ASSY. - FG
	PE130033PL		UPPER DOOR COMPLETE ASSY. - PL
	PE130033SS		UPPER DOOR COMPLETE ASSY. - SS
	PE130033VB		UPPER DOOR COMPLETE ASSY. - VB
	PE130033WH		UPPER DOOR COMPLETE ASSY. - WH
	PE130034AL		LOWER DOOR COMPLETE ASSY. - AL
	PE130034BK		LOWER DOOR ASSEMBLY - COMPLETE
	PE130034BU		LOWER DOOR COMPLETE ASSY. - BU
	PE130034FG		LOWER DOOR COMPLETE ASSY. - FG
	PE130034PL		LOWER DOOR COMPLETE ASSY. - PL
	PE130034SS		LOWER DOOR COMPLETE ASSY. - SS
	PE130034VB		LOWER DOOR COMPLETE ASSY. - VB
	PE130034WH		LOWER DOOR ASSEMBLY - COMPLETE
1	F0002576SS		HANDLE OVEN DOOR XSS (24.625 LENGTH)
	F0002576BR		HANDLE OVEN DOOR XBR 0301898
2	PE030001		BRACKET, DOOR, HANDLE
	PE030001PVD		END CAP DOOR HANDLE XBR
3	PE100024BK		PANEL DOOR LOWER XBK 306584B
	PE100024SS		PANEL DOOR LOWER XSS 0304629
	PE100024WH		PANEL DOOR LOWER XWH 306584W
	C9002325AL		DOOR PANEL-LOWER XALX (VEDO/VGDO)
	C9002325BU		DOOR PANEL-LOWER XBUX (VEDO/VGDO)
	C9002325FG		DOOR PANEL-LOWER XFGX (VEDO/VGDO)
	C9002325PL		DOOR PANEL-LOWER XPLX (VEDO/VGDO)
	C9002325VB		DOOR PANEL-LOWER XVBX (VEDO/VGDO)
	PE100025BK		UPPER DOOR PANEL - BK
	PE100025SS		UPPER DOOR PANEL - SS
	PE100025WH		UPPER DOOR PANEL - WH
	C9002324AL		DOOR PANEL-UPPER XALX (VEDO/VGDO)
	C9002324BU		DOOR PANEL-UPPER XBUX (VEDO/VGDO)
	C9002324FG		DOOR PANEL-UPPER XFGX (VEDO/VGDO)
	C9002324PL		DOOR PANEL-UPPER XPLX (VEDO/VGDO)
	C9002324VB		DOOR PANEL-UPPER XVBX (VEDO/VGDO)
4	PE140002		GLASS WINDOW 0301912
5	PE130032		BAFFLE INNER DOOR 301896G
6	PE120007		DOOR HANDLE MTG. WASHER (3/4 X 5/16
7	PE100026		TRIM J MOLD XSS 0302082
	PE060028		TRIM J MOLD XBR 306584B
8	PE140003		WINDOW ASSEMBLY
9	PD010014		MACH. SCREW - NO.10-24 X 1-3/4 XSSX
10	PE130022		DOOR LINER 303067E
11	PE120008		DOOR PANEL SCREW AMNO.0041793
12	PE130023		LATCH PLATE 0052039
13	PE120009		LATCH PLATE SCREW 31750410
14	PE140004		LINER INSULATION DOOR 0301899
15	PE140005		DOOR GASKET 31715903
16	PE130024		DOOR PLUG 004023CG
17	PE120010		PLUG MOUNTING SCREW 0041793
18	PE130025		RETAINER DOOR GLASS 0052629
19	PE010016		NAMEPLATE, LOGO, PRO
	PE010079		4.5 LOGO/VIKING PROF, BK/BR
	PE010017		LOGO (VGSO,VEDO,VGDO,VUD) XWH/CHR
	PE010080		4.5 LOGO/VIKING PROF XWH/BR
20	PE140006		INSULATION-DOOR LINER
21	PE130026		PLATE INSULATION 0301908
22	PE120011		SUB TO PD020002
23	PE120012		LOGO CLIP 0304065

Ref #	Part Number	Qty.	Description
23	PE120012		LOGO CLIP 0304065
24	PE120013		DOOR PANEL KEP NUT 0097885
25	PE120014		DOOR PANEL SCREW 0098190
26	PE120015		BAFFLE MOUNTING SCREW 0041808
27	PE120015		BAFFLE MOUNTING SCREW 0041808
NI	PG100025		FIBER WASHER
NI	PG100026		FIBER WASHER