

This Owner's Manual is provided and hosted by [Appliance Factory Parts](#).



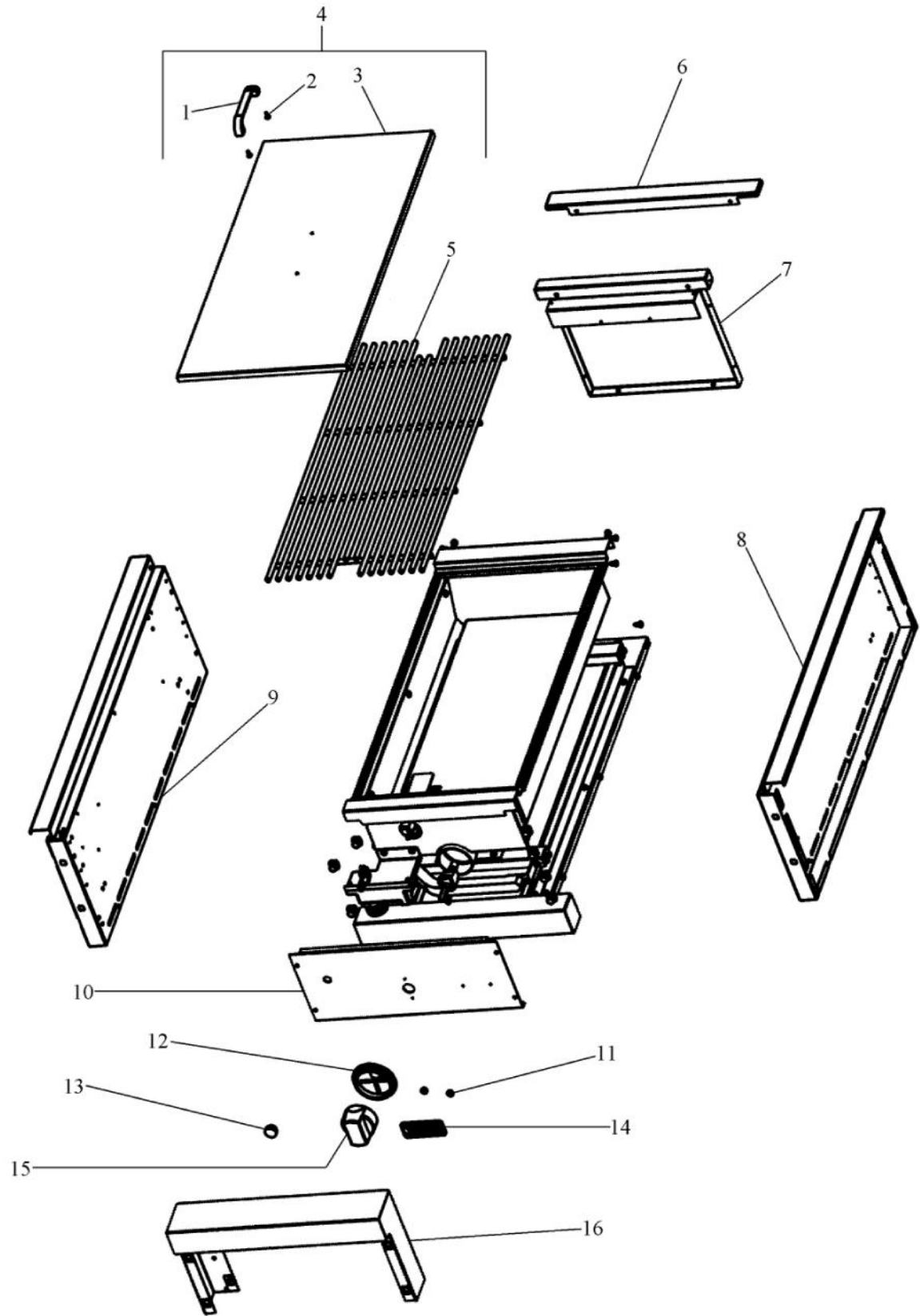
# VIKING VGIB151T Owner's Manual

[Shop genuine replacement parts for VIKING VGIB151T](#)

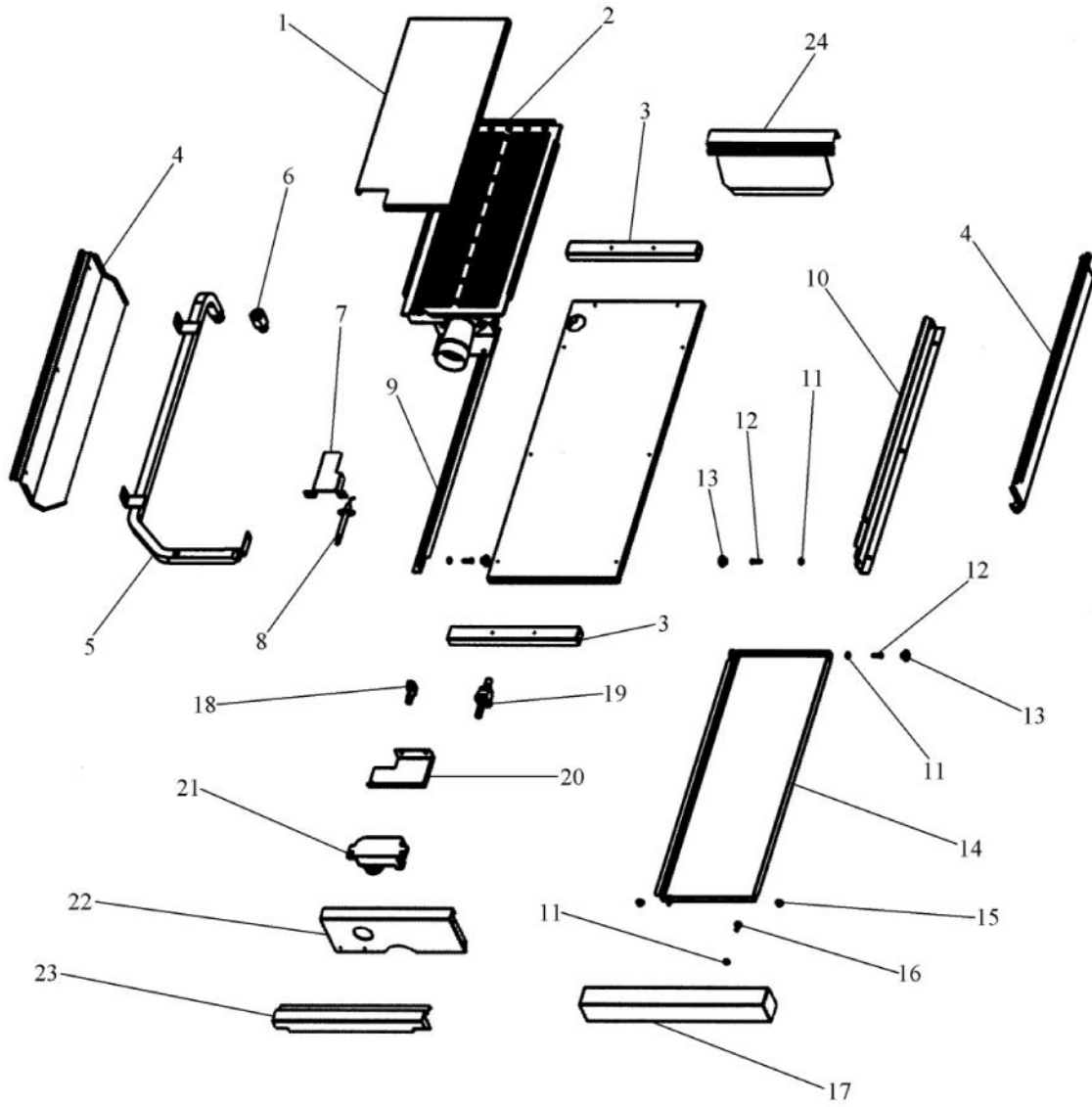


[Find Your VIKING Grill Parts - Select From 210 Models](#)

----- Manual continues below -----



| Ref # | Part Number | Qty. | Description                           |
|-------|-------------|------|---------------------------------------|
| 1     | PE030042    |      | BURNR COVER HANDL.BBQ48/CHNO.P44-1010 |
| 2     | PD020058    |      | 8-32 X 3/8 PAN PH MS SS               |
| 3     | B20012236   |      | GRATE COVER                           |
| 4     | G32012224   |      | GRATE COVER ASSY, VGIB                |
| 5     | PA060068    |      | FULL GRATE XSSX                       |
| 6     | B2005339    |      | SIDE BURNER REAR TRIM                 |
| 7     | B2005332    |      | SIDE BURNER BOX BACK PHASE 2          |
| 8     | B2006306    |      | GRILL BOX SIDE RH NON-ROTIS           |
| 9     | B2005204    |      | PANEL, GRL, LH                        |
| 10    | B92012241   |      | CONTROL PANEL, VGIB151                |
| 11    | PD030006    |      | CAPPED WASHER PAL NUT                 |
| 12    | PB010208    |      | BEZEL, CHROME PLATE                   |
|       | PB010209    |      | BEZEL BRASS                           |
| 13    | PB010163    |      | OVEN LIGHT SWITCH KNOB BK             |
| 14    | PE010142    |      | 3 LOGO XBKXXCHROME                    |
|       | PE010143    |      | 3 LOGO BK/BR                          |
| 15    | PA010140    |      | OUTDOOR IR GRILL KNOB                 |
| 16    | G3005335    |      | LANDING LEDGE ASSY- S/BURNER (PH2)    |



| Ref # | Part Number | Qty. | Description                                |
|-------|-------------|------|--|
| 1     | B2008943    |      | GREASE SCREEN                              |
| 2     | G32012223   |      | IR BURNER ASSY, VGIB                       |
| 3     | B20012235   |      | BURNER SUPPORT BRACKET                     |
| 4     | B20012237   |      | GREASE DIVERTER                            |
| 5     | PA050111    |      | MANIFOLD, VGIB                             |
| 6     | PB040167    |      | MALE COUPLER (PHASE 1 GRILL)               |
| 7     | B2008939    |      | IR SPARK IGNITOR COVER                     |
| 8     | PB040176    |      | IGNITER                                    |
| 9     | G3005214    |      | DRIP TRAY SLIDE - LH                       |
| 10    | G3005215    |      | DRIP TRAY SLIDE - RH                       |
| 11    | PD030044    |      | 10-24 KEPS NUT SS                          |
| 12    | PD020082    |      | 10 X 24 COUNTERSUNK S.S. SCREW             |
| 13    | PC020025    |      | DRIP TRAY WHEEL                            |
| 14    | B2005336    |      | SIDE BURNER DRIP TRAY                      |
| 15    | PD040004    |      | GROMMET BUMPER                             |
| 16    | PD020056    |      | NO.10-24 X 1/2 PH.TR. M.S. SS              |
| 17    | B3005337    |      | SIDE BURNER DRIP TRAY HANDLE               |
| 18    | PE050063    |      | SPARKER SWITCH                             |
| 19    | PA010141    |      | SUB TO 003554-000 - I/R BURNER VALVE (NAT) |
| 20    | B20012222   |      | BRACKET, SPARK MODULE                      |
| 21    | PA020036    |      | SPARK MODULE                               |
| 22    | B20012239   |      | GRILL BOX FRONT, IR SB                     |
| 23    | B20012240   |      | FRONT GRATE SUPPORT                        |
| 24    | B20012238   |      | REAR GRATE SUPPORT                         |
| No.   | G3004936    |      | REGULATOR ASSY - NAT (P1 GRILL)            |
| No.   | G3004937    |      | REGULATOR ASSY - L.P. W/HOSE               |