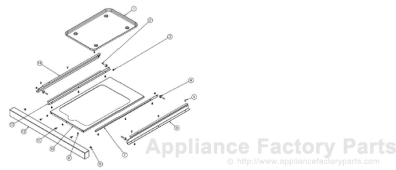


This Owner's Manual is provided and hosted by [Appliance Factory Parts](#).



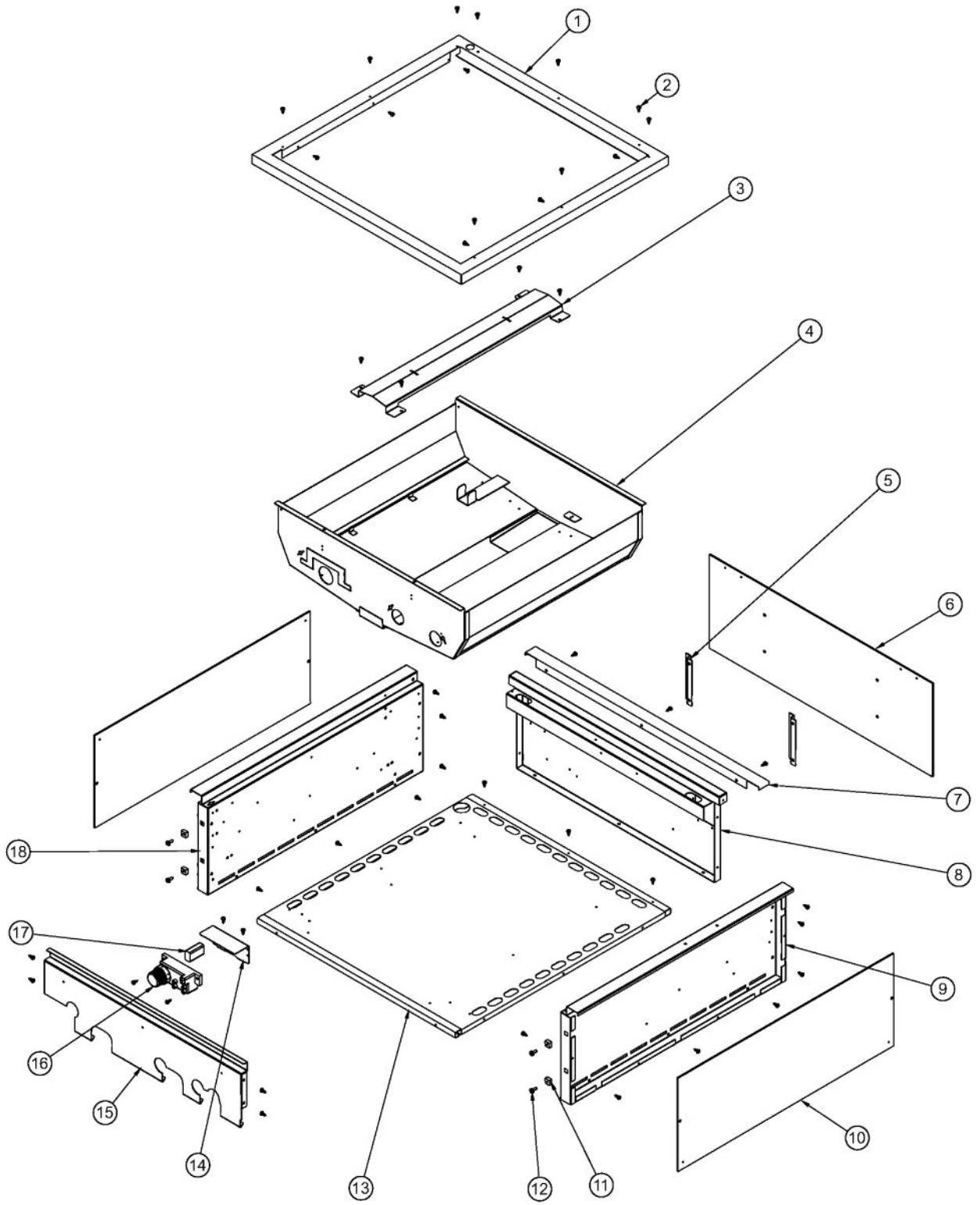
VIKING VGBQ3002RT1_2 Owner's Manual

**[Shop genuine replacement parts for VIKING
VGBQ3002RT1_2](#)**

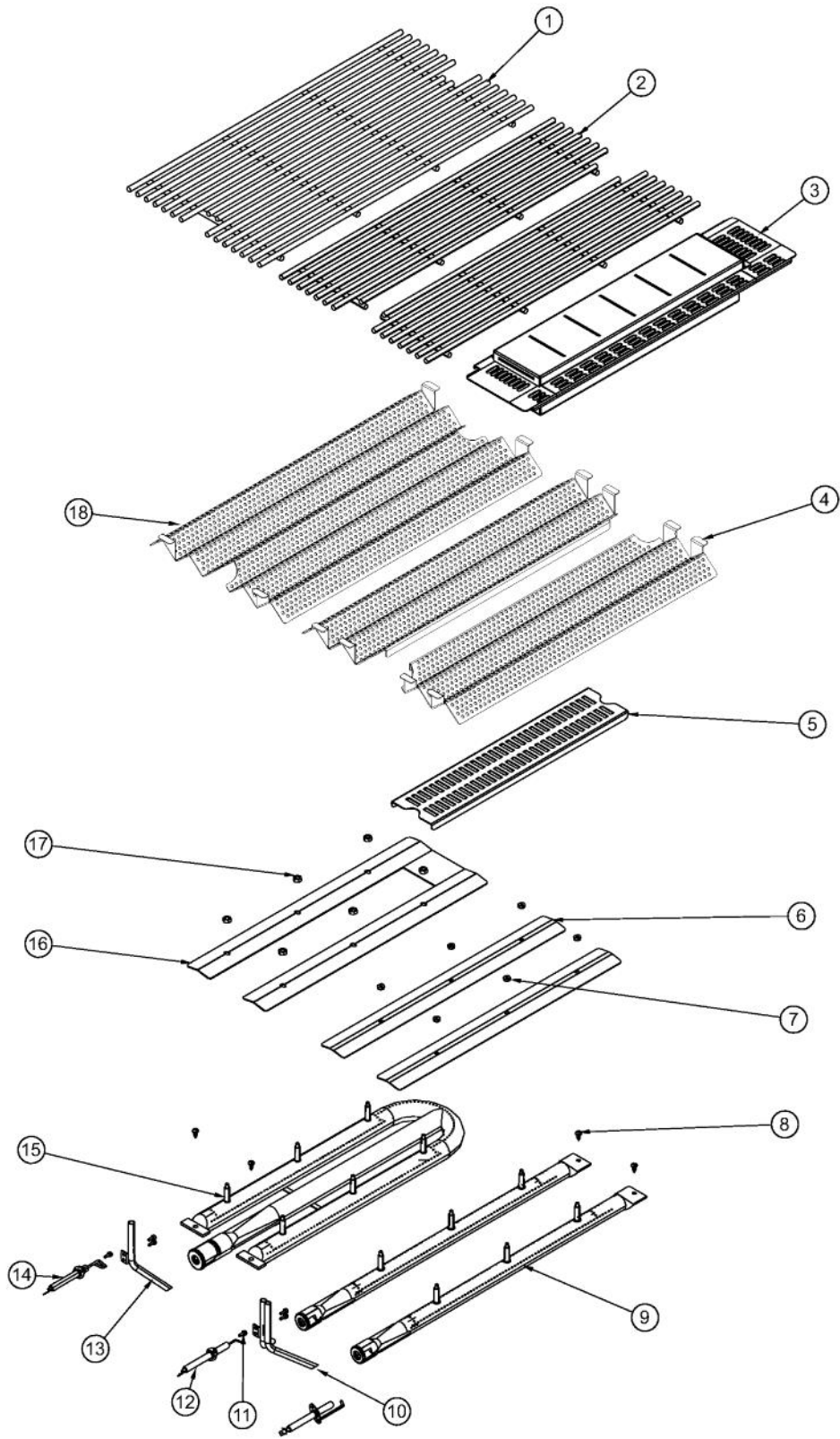


[Find Your VIKING Grill Parts - Select From 210 Models](#)

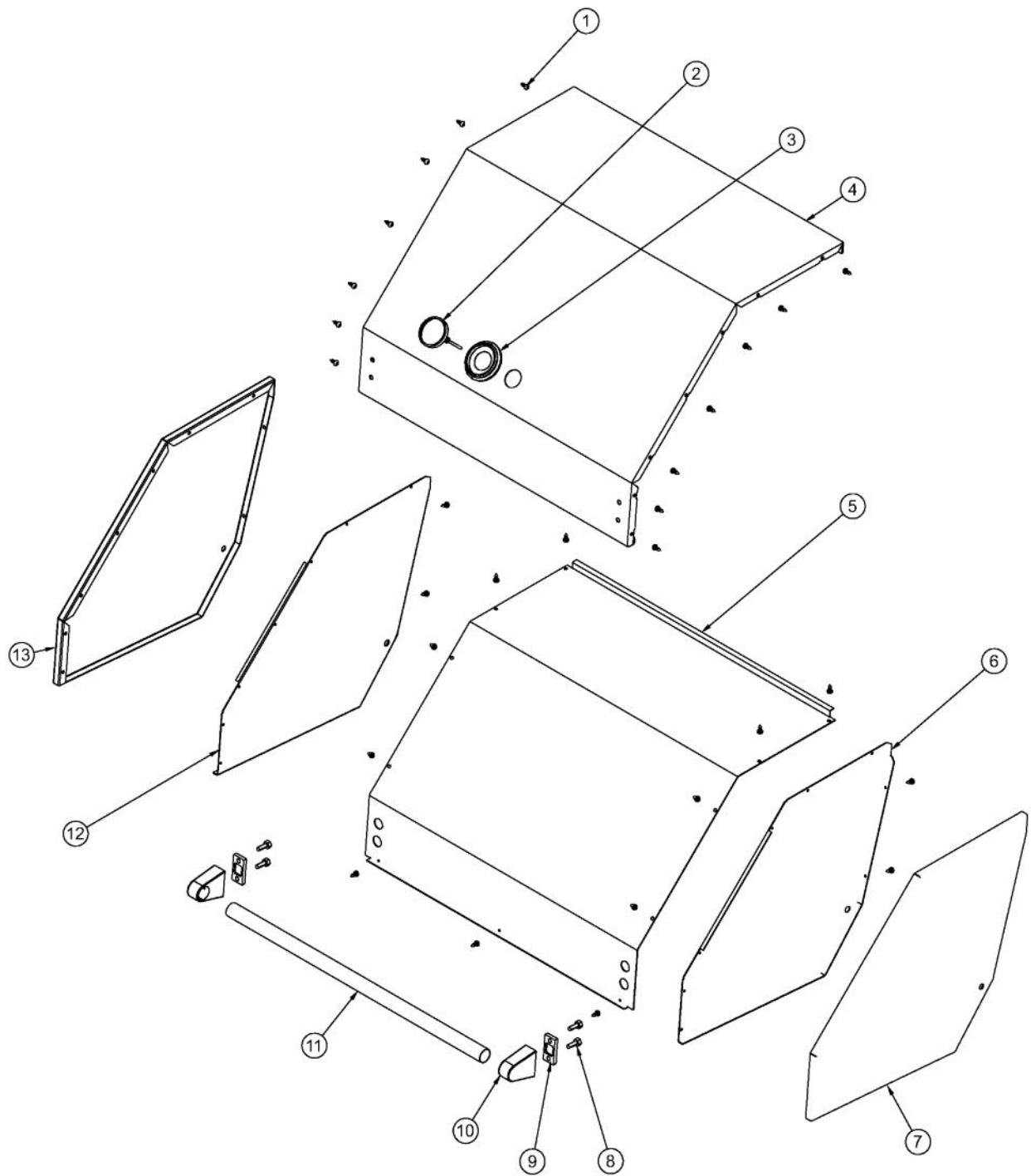
----- Manual continues below -----



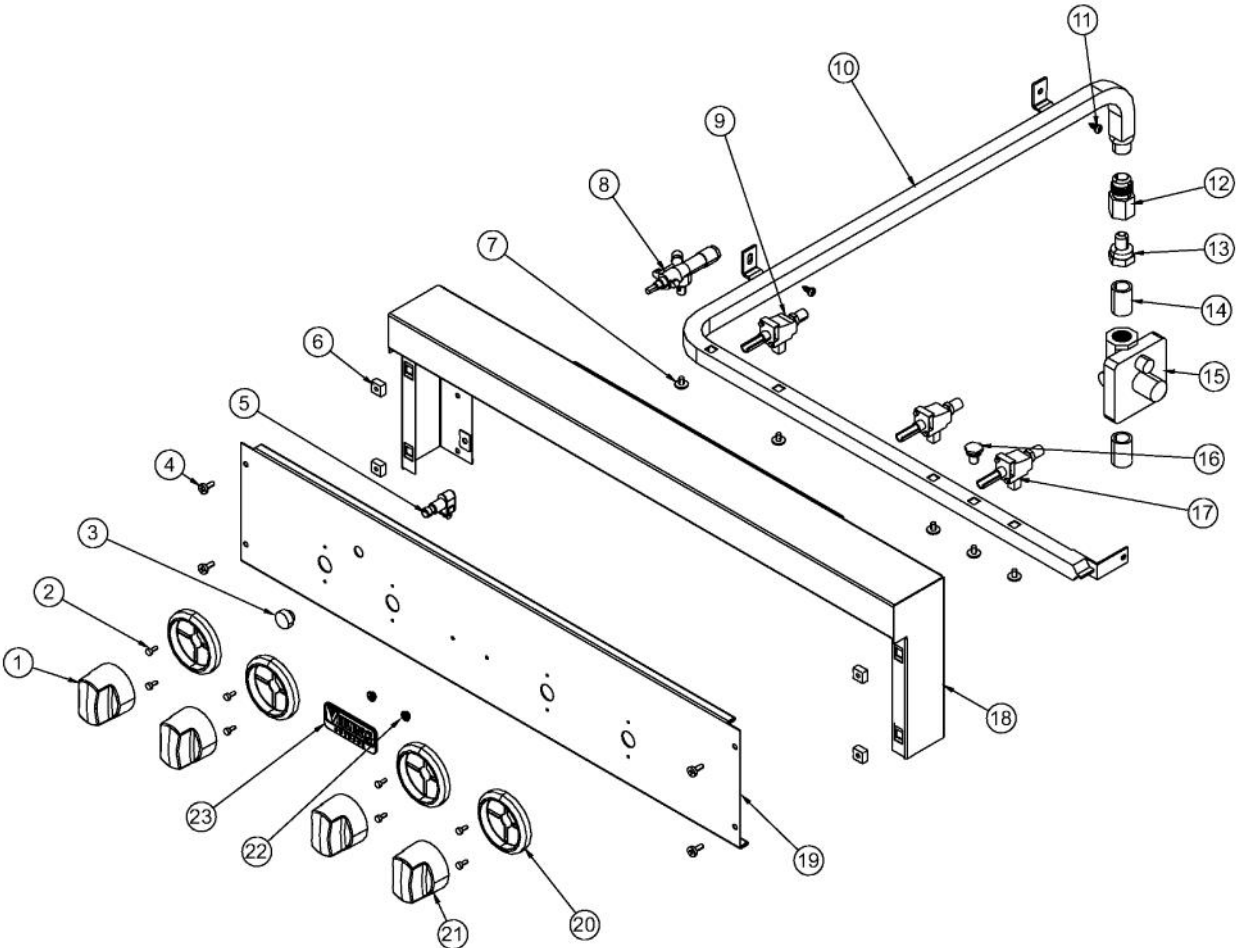
Ref #	Part Number	Qty.	Description
1	B20015516	1	GRILL FRAME 30
2	020051-000	46	SCR, DR, PHLP,PNH, 410SS, NPLT, 10-16 X 1/2
3	B2005246	1	BURNER BOX SHIELD (PHASE 2)
4	006768-000	1	BURNER BOX ASSY 53RH
5	B2006305	2	HEAT SHIELD BRACKET
6	L1005399	1	REAR HEAT SHIELD 30``
7	003856-000	1	30 GRILL REAR TRIM
8	B20015513	1	GRILL BOX BACK 30
9	B2005203	1	GRILL BOX SIDE RH (PHASE 2)
10	L1005398	2	SIDE HEAT SHIELD
11	PD030050	4	10-24 CAGE NUT SS
12	PD020056	4	NO.10-24 X 1/2 PH.TR. M.S. SS
13	B2005202	1	GRILL BOX BOTTOM 30 (PHASE 2)
14	B2005250	1	SPARK MODULE BRACKET (PHASE 2)
15	B2007820	1	GRILL FRONT
16	PA020036	1	SPARK MODULE
17	PM010049	1	SPARK MODULE BATTERY PHASE II
18	B2005204	1	PANEL, GRL, LH



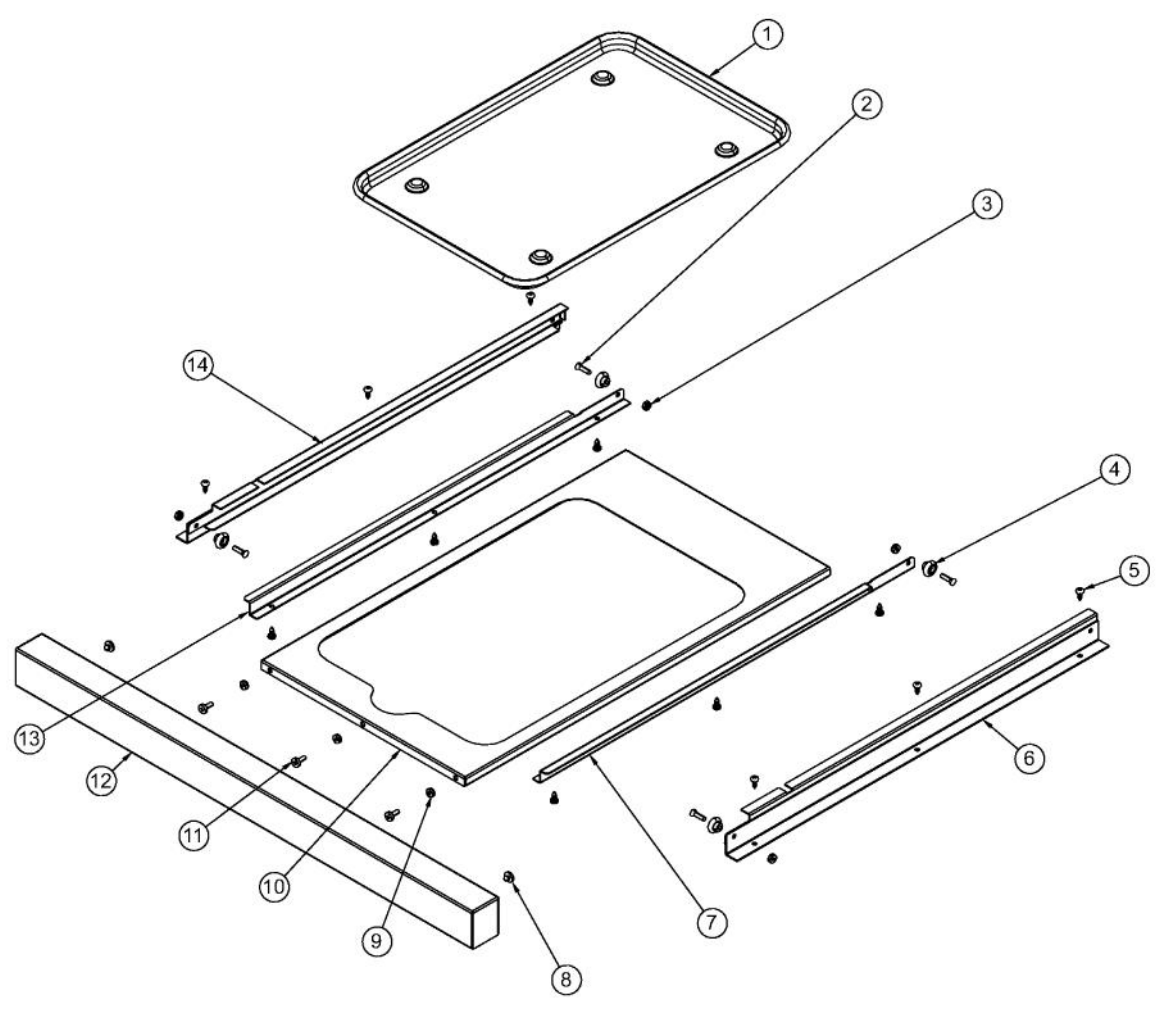
Ref #	Part Number	Qty.	Description
1	PA060052	1	GRILL COOKING GRATES
2	PA060053	2	HALF GRILL GRATE
3	G3005350	1	SMOKER BOX ASSY (VGBQ3002RT)
4	PK010061	2	HALF FLAVOR GRID PHASE 2
5	B2005346	1	STEAMER RACK
6	006757-000	2	SMOKER DRIP SHIELD
7	PD030044	6	10-24 KEPS NUT SS
8	020051-000	4	SCR, DR, PHLP,PNH, 410SS, NPLT, 10-16 X 1/2
9	PA080051	2	SMOKER/GRILL BURNER
10	PB020115	1	SMOKER FLASH TUBE
11	PD020067	6	NO.6 X 3/8 PAN PHIL. TEK SS
12	PB040288	1	SMOKER BURNER IGNITER
13	PB020114	1	FLASH TUBE (VGBQ3002T)
14	PB040287	1	GRILL BURNER IGNITER
15	PA080050	1	GRILL BURNER SS
16	006758-000	1	BURNER DRIP SHIELD (P3 GRILL)
17	PD030060	6	NO.10-32 KEPS NUT SS
18	PK010060	1	PERFORATED FLAVOR GRID



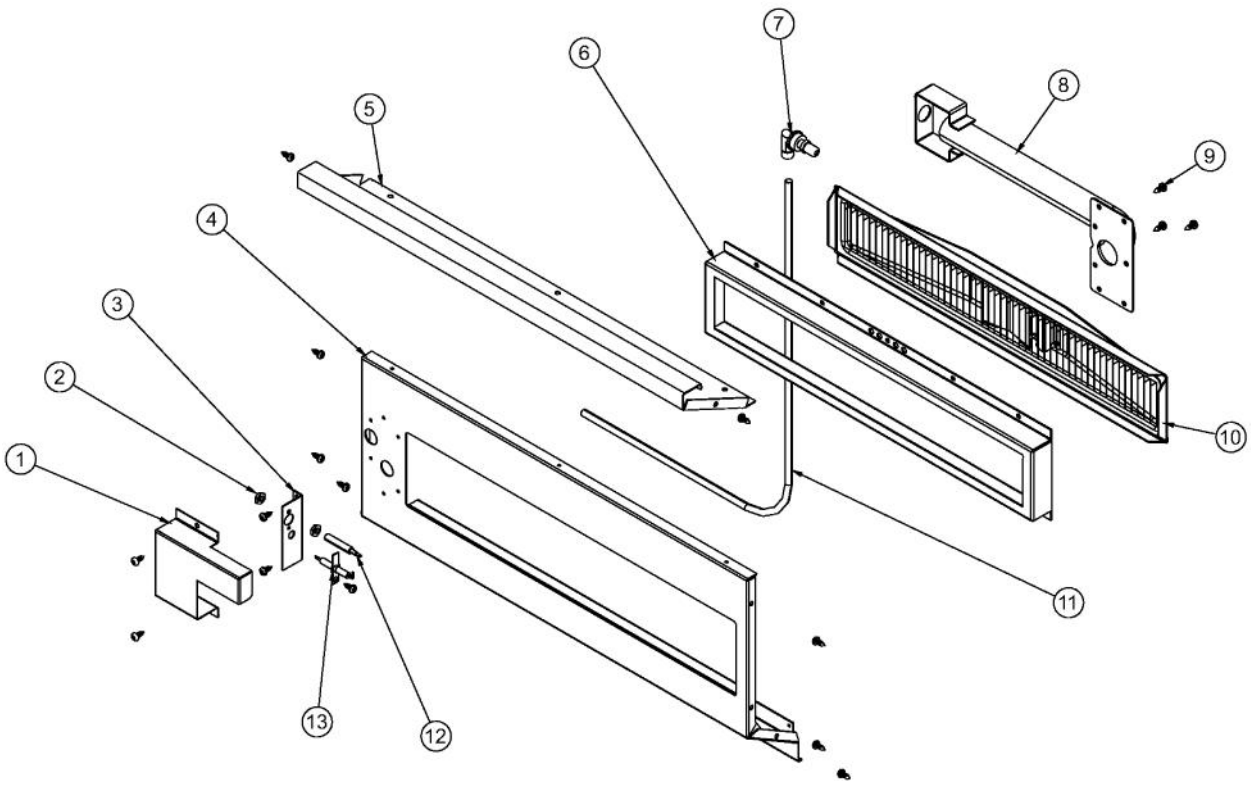
Ref #	Part Number	Qty.	Description
1	020051-000	29	SCR, DR, PHL,PNH, 410SS, NPLT, 10-16 X 1/2
2	PB010337	1	GRILL THERMOMETER
3	003366-000	1	THERMOSTAT BEZEL
4	003634-000	1	30 OUTER CANOPY
5	003635-000	1	30 CANOPY HEAT SHIELD
6	006666-000	1	GRILL CANOPY INSIDE RH
7	003630-000	1	GRILL CANOPY OUTSIDE RH
8	PD020069	4	CAP SCREW 1/4-20 X 3/4 SS
9	PD040010	2	DOOR HANDLE SPACER
10	000268-000	2	HANDLE END CAP ASSY
11	PE030041	1	DOOR HANDLE (CANOPY) XSSX (VGBQ30)
12	006667-000	1	GRILL CANOPY INSIDE LH
13	003632-000	1	GRILL CANOPY OUTSIDE LH



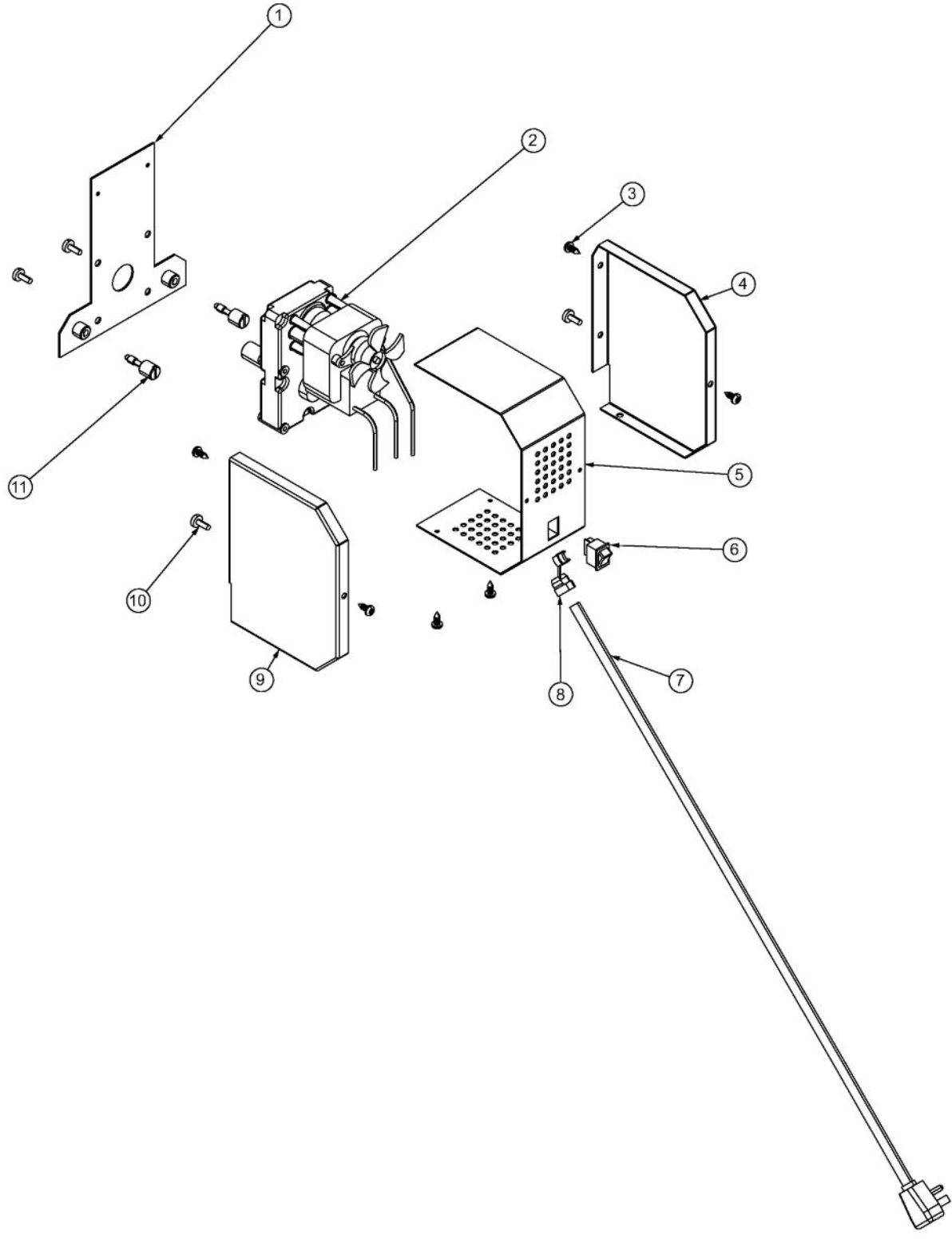
Ref #	Part Number	Qty.	Description
1	003563-000	1	ROTIS BURNER KNOB
2	PD020067	8	NO.6 X 3/8 PAN PHIL. TEK SS
3	PB010163	1	OVEN LIGHT SWITCH KNOB BK
4	PD020056	4	NO.10-24 X 1/2 PH.TR. M.S. SS
5	PE050063	1	SPARKER SWITCH
6	PD030050	4	10-24 CAGE NUT SS
7	PD010012	5	VALVE BOLT 1/4-20 UNC-2B 5/16 M.S.
8	PB010191	1	I.R. SAFETY VALVE (PHASE II GRILLS)
8	PB010220	1	I.R. SAFETY VALVE LP
9	PA010083	1	GRILL VALVE, NAT
9	014953-000	1	VALVE, GAS, ASM, U BNR - LP
10	PA050070	1	PHASE2 30 MANIFOLD
11	020051-000	2	SCR, DR, PHLP,PNH, 410SS, NPLT, 10-16 X 1/2
12	PB020239	1	7/8 FLARE TO 1/2 FEMALE CONNECTOR
13	PB040235	1	1/2NPT TO 3/8 FLARE COUPLING
14	PB040046	2	1/2 CLOSE NIPPLE (VGSO166)
15	PA070006	1	PRESSURE REGULATOR - NATURAL
15	PA070005	1	PRESSURE REG.(LP) RV47L-77-10.0
16	002884-000	1	MANIFOLD PLUG
17	PA010083	2	GRILL VALVE, NAT
17	014960-000	2	VALVE, GAS, ASM, SIDE, SMKR, LP
18	G3005223	1	LANDING LEDGE ASSY 30 (PHASE 2)
19	B9205322	1	CTRL PAN (VGBQ3002RT) SLK SCR
20	PB010304	4	KNOB BEZEL
21	003561-000	3	OUTDOOR GRILL KNOB
22	PD030006	2	CAPPED WASHER PAL NUT
23	015009-000	1	OUTDOOR LOGO - 3 CHROME
23	015009-100	1	OUTDOOR LOGO - 3 BRASS
NI	PB020227	1	HIGH PRESSURE LP HOSE



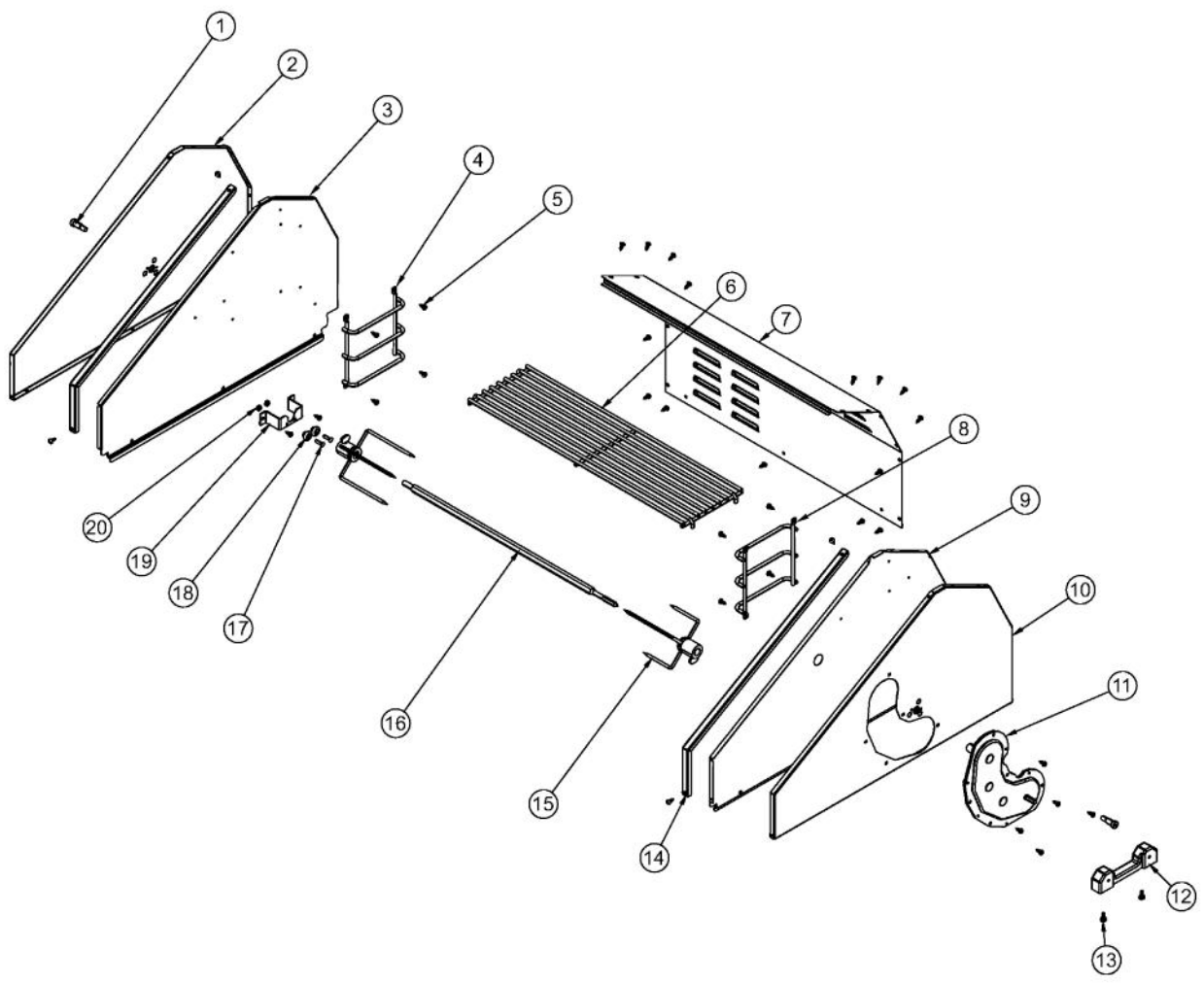
Ref #	Part Number	Qty.	Description
1	J2101749	1	GREASE PAN
2	PD020082	4	10 X 24 COUNTERSUNK S.S. SCREW
3	PD030044	4	10-24 KEPS NUT SS
4	PC020025	4	DRIP TRAY WHEEL
5	020051-000	12	SCR, DR, PHLP,PNH, 410SS, NPLT, 10-16 X 1/2
6	G3005215	1	DRIP TRAY SLIDE - RH
7	B2005316	1	DRIP TRAY RUNNER RH
8	PD040004	2	GROMMET BUMPER
9	PD030044	3	10-24 KEPS NUT SS
10	B2005312	1	DRIP TRAY 30 (PHASE 2)
11	PD020056	3	NO.10-24 X 1/2 PH.TR. M.S. SS
12	B3005315	1	30 INCH DRIP TRAY HANDLE (PHASE 2)
13	G3005214	1	DRIP TRAY SLIDE - LH
14	B2005317	1	DRIP TRAY RUNNER LH (PHASE 2)



Ref #	Part Number	Qty.	Description
1	B20015402	1	I/R IGNITOR COVER LH
2	PD030048	2	THERMCOUPLE NUT M08-VGBQ-8743300007
3	B20015403	1	IR IGNITOR BRACKET
4	G91015522	1	FRONT HOUSING ASSY (VGIQ3002RT)
5	E9105393	1	30`` FRONT HOUSING TOP
6	B2005347	1	INFRARED FRAME
7	PB040124	1	90 DEG. ORIFICE FITTING
7	PB040125	1	ORIFICE FTG 90D 20IR NO.57 HD YELLOW
8	PB050060	1	I/R VENTURI (PHASE 2 BBQ)
9	020051-000	16	SCR, DR, PHLP,PNH, 410SS, NPLT, 10-16 X 1/2
10	A2105288	1	I/R BURNER BOX 20
11	PB020096	1	48 5/16 S.S. FLEX TUBING REPL F2003505
12	PB010162	1	THERMOCOUPLE - BBQ GRILL W/ ROTIS
13	PB040168	1	SUB TO PB040169 - I/R IGNITOR



Ref #	Part Number	Qty.	Description
1	002081-000	1	ROT MOTOR MOUNTING PLATE ASSY
2	PE070184	1	ROTISSERIE MOTOR
3	020051-000	6	SCR, DR, PHLP,PNH, 410SS, NPLT, 10-16 X 1/2
4	B2005285	1	PHASE II ROTIS BOX FRONT
5	B2005286	1	PHASE II ROTIS COVER
6	PE050051	1	ROTISSERIE SWITCH
7	PE070189	1	ELECTRICAL SUPPLY CORD - BBQ GRILL
8	PD040044	1	SNAP THRU BUSHING 1/4DIA CORD
9	B2005284	1	PHASE II ROTIS BOX FRONT
10	PD020056	4	NO.10-24 X 1/2 PH.TR. M.S. SS
11	PD010090	2	ROTISSERIE FASTENER KNOB



Ref #	Part Number	Qty.	Description
1	PD010043	2	5/16INCH SHOULDER BOLT (PHASE 2)
2	G5005257	1	OUTSIDE WINDSHIELD ASSY LH
3	B20015419	1	INSIDE WINDSHIELD LH
4	PB060112	1	WARMING RACK SUPPORT RH
5	020051-000	30	SCR, DR, PHLP,PNH, 410SS, NPLT, 10-16 X 1/2
6	PB060057	1	WARMING RACK 30
7	003652-000	1	30 GRILL REAR COVER
8	PB060113	1	WARMING RACK SUPPORT LH
9	B10015418	1	INSIDE WINDSHIELD RH
10	G5005256	1	OUTSIDE WINDSHIELD ASSY RH
11	PC070024	1	ROTIS. GEAR BOX ASSY
12	PB060055	1	ROTISSERIE MOUNT CASTING
13	PD020056	2	NO.10-24 X 1/2 PH.TR. M.S. SS
14	B20015574	2	GRILL WINDSHIELD TRIM
15	PB060058	2	SPIT FORK
16	PB060054	1	ROTIS SPIT ROD 30
17	PD020082	2	10 X 24 COUNTERSUNK S.S. SCREW
18	PC020025	2	DRIP TRAY WHEEL
19	B2005278	1	ROTISSERIE ROLLER BRACKET (PHASE 2)
20	PD030044	2	10-24 KEPS NUT SS