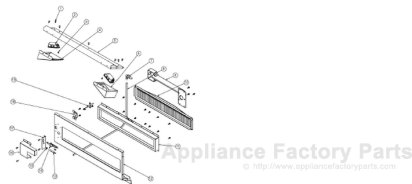


This Owner's Manual is provided and hosted by [Appliance Factory Parts](#).



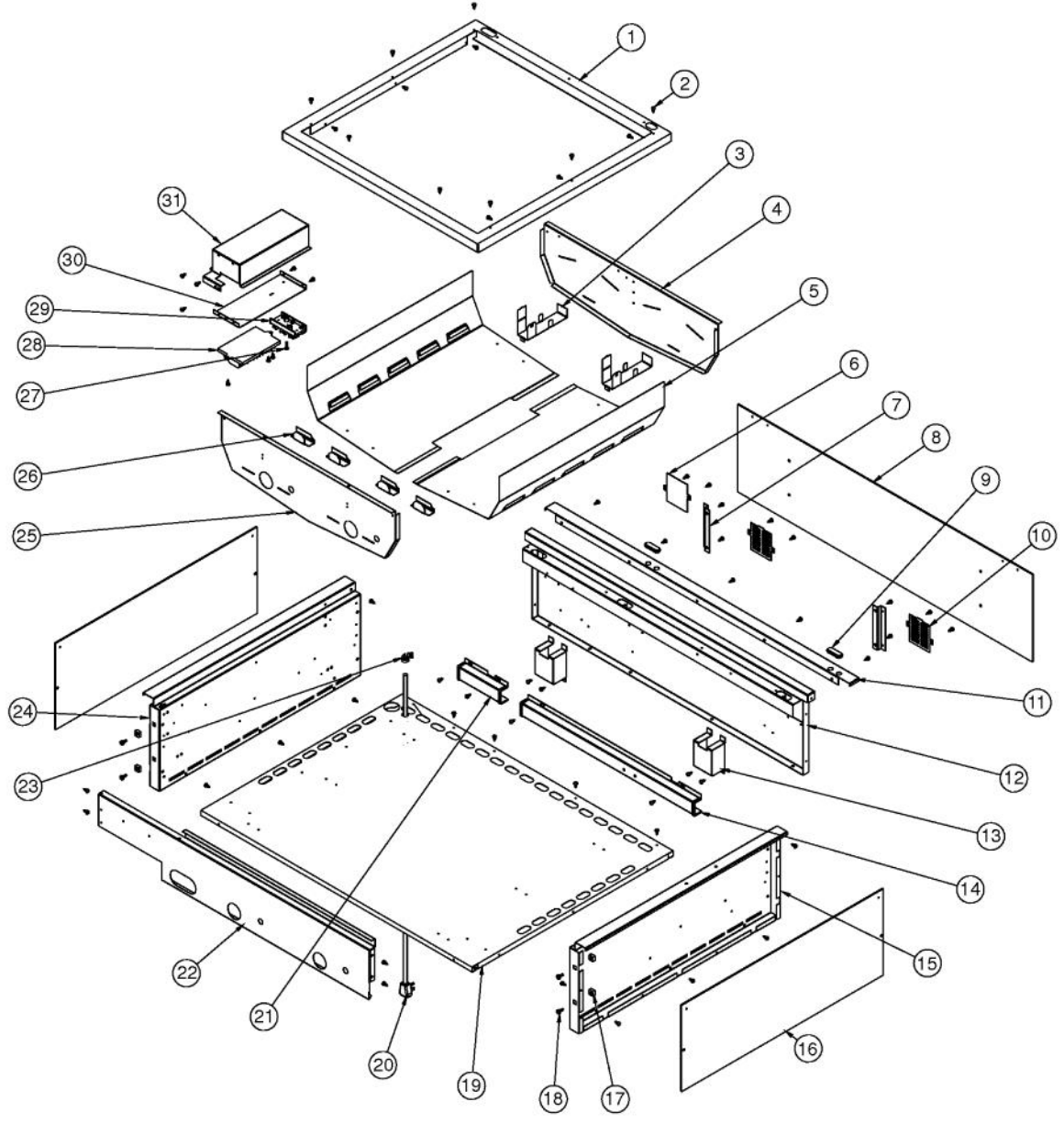
VIKING VGBQ4122RE2 Owner's Manual

**[Shop genuine replacement parts for VIKING
VGBQ4122RE2](#)**

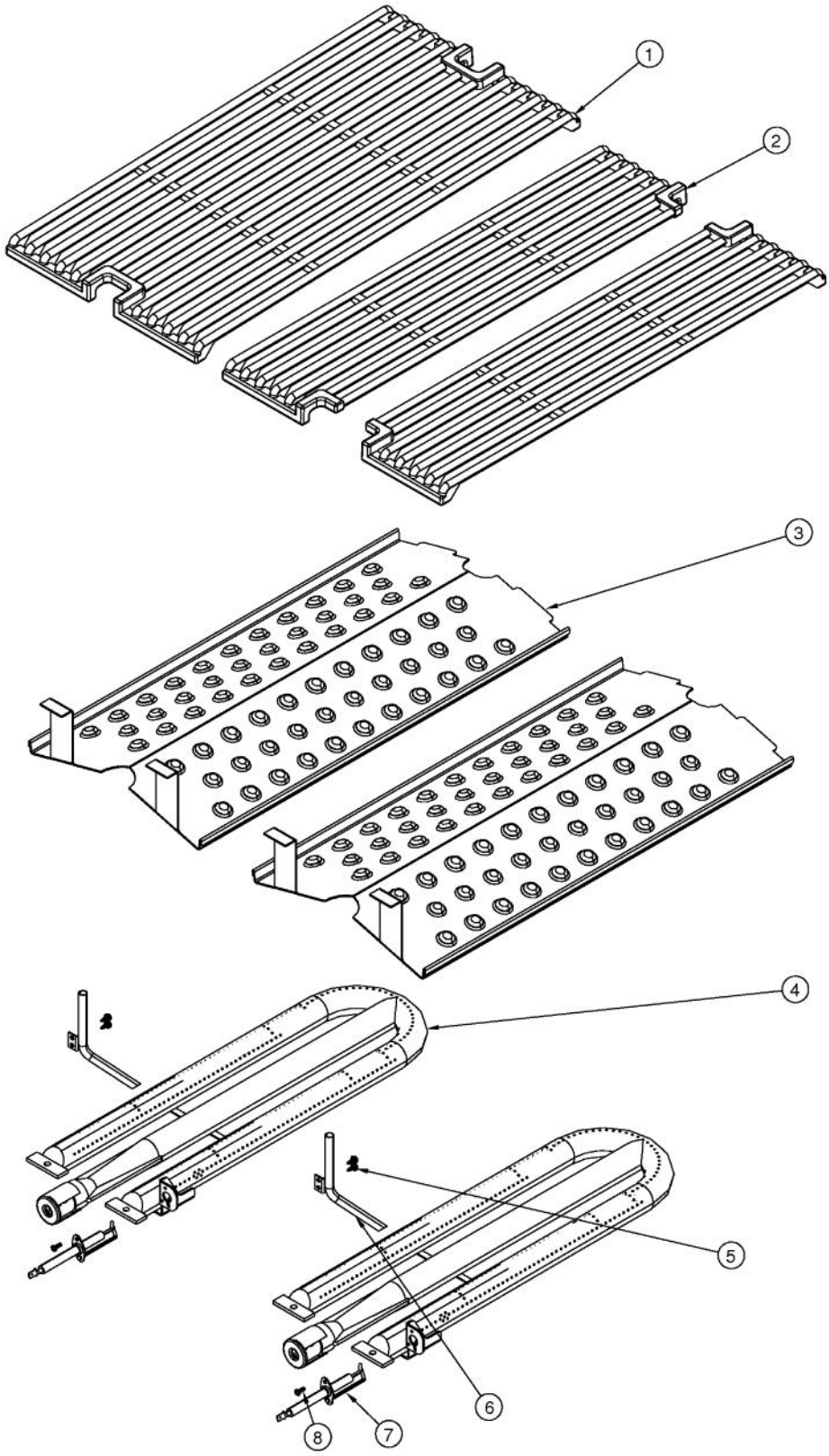


[Find Your VIKING Grill Parts - Select From 210 Models](#)

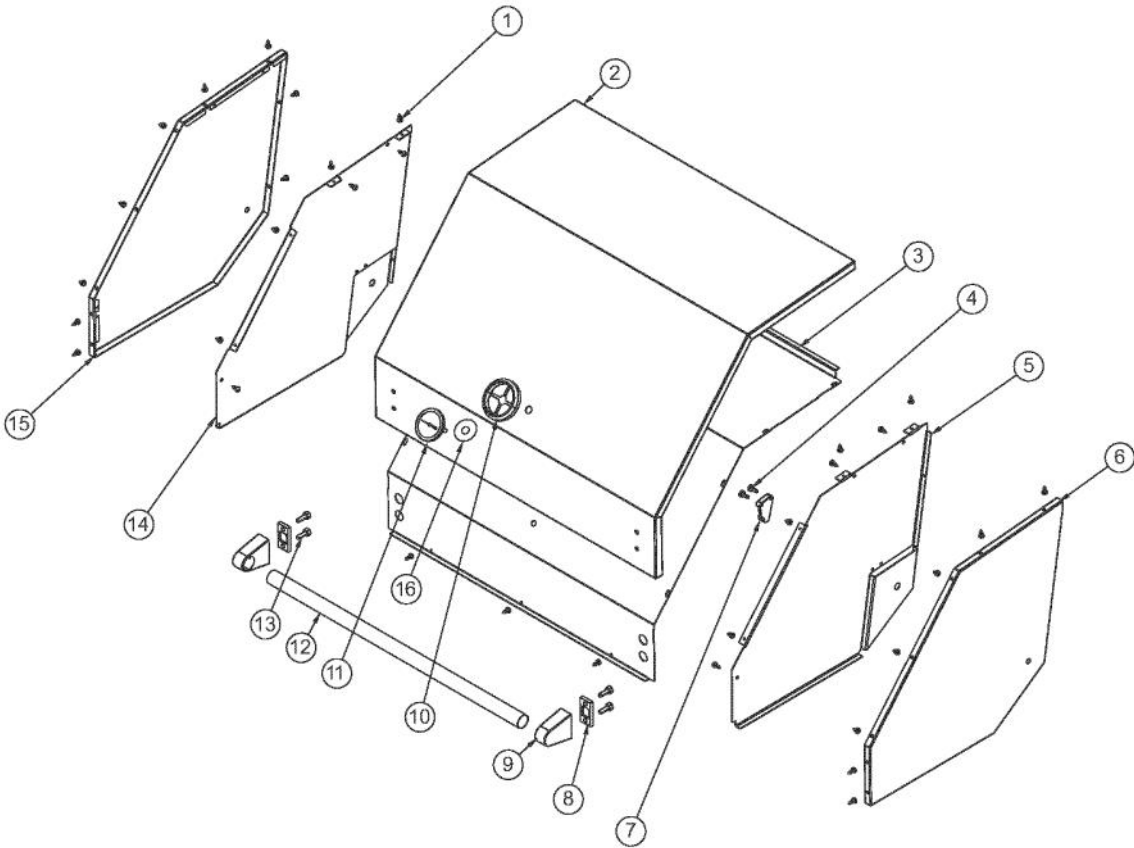
----- Manual continues below -----



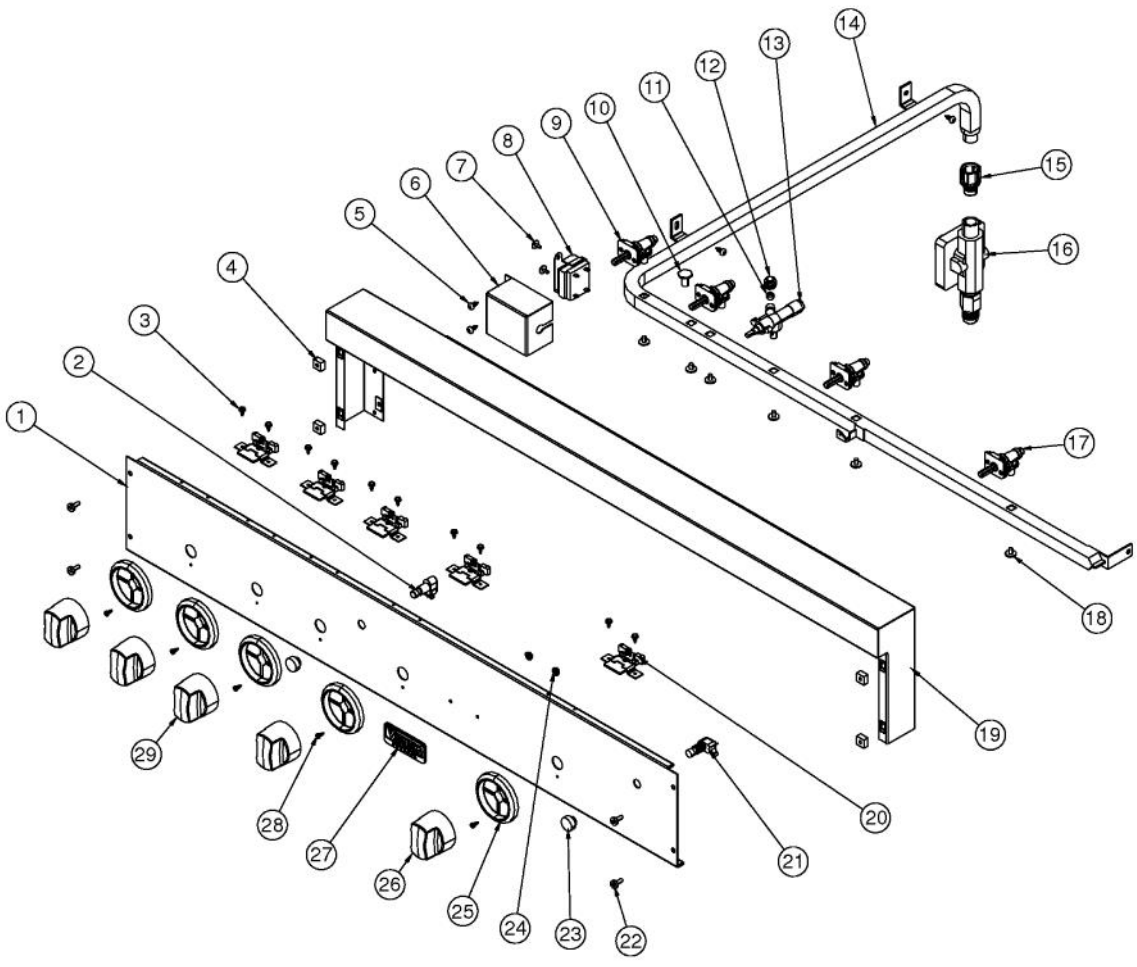
| Ref # | Part Number | Qty. | Description |
|-------|-------------|------|--|
| 1 | B20015516 | 1 | GRILL FRAME 30 |
| 2 | 020051-000 | 62 | SCR, DR, PHLP,PNH, 410SS, NPLT, 10-16 X 1/2 |
| 3 | 006010-000 | 2 | GRILL BURNER REAR BRACKET |
| 4 | 025544-000 | 1 | BOX, BNR, BACK, 30 |
| 5 | 025543-000 | 2 | BOX, BRN, BOT, 30 |
| 6 | 002354-000 | 1 | GRILL PLUG PLATE |
| 7 | B2006305 | 2 | HEAT SHIELD BRACKET |
| 8 | L1004881 | 1 | REAR HEAT SHIELD 41 (PHASE 2) |
| 9 | 002671-000 | 2 | RUBBER DOOR BUMPER |
| 10 | 002353-000 | 2 | GRILL PLUG VENT |
| 11 | 004092-000 | 1 | 4122 GRILL REAR TRIM |
| 12 | B20015512 | 1 | GRILL BOX BACK 41 |
| 13 | 002355-000 | 2 | GRILL RECEPTACLE BOX |
| 14 | A20015411 | 1 | GRILL WIRE CHANNEL - 41 REAR |
| 15 | B2005203 | 1 | GRILL BOX SIDE RH (PHASE 2) |
| 16 | L1005398 | 2 | SIDE HEAT SHIELD |
| 17 | PD030050 | 4 | 10-24 CAGE NUT SS |
| 18 | PD020056 | 4 | NO.10-24 X 1/2 PH.TR. M.S. SS |
| 19 | B20015509 | 1 | GRILL BOX BOTTOM 41 |
| 20 | PE070791 | 1 | GRILL POWER SUPPLY CORD (8 FT) |
| 21 | A20015412 | 1 | GRILL WIRE CHANNEL - 42 SHORT |
| 22 | 025795-000 | 1 | SUPPORT, GRL, FR, VGBQ4122RE2 |
| 23 | PD040044 | 1 | SNAP THRU BUSHING 1/4DIA CORD |
| 24 | B2005204 | 1 | PANEL, GRL, LH |
| 25 | 025542-000 | 1 | BOX, BNR, FR, 30 |
| 26 | 006011-000 | 4 | GRILL BURNER FRONT BRACKET |
| 27 | PD020166 | 1 | NO.10 X 3/4 PAN PHIL. TEK. XSSX |
| 28 | PA020048 | 1 | INVENSYS 0+6 RE-IGNITION SPARK MODULE |
| 29 | PE070855 | 1 | E SERIES TERMINAL BLOCK |
| 30 | B20015566 | 1 | 0+6 SM/TB HOUSING BOTTOM |
| 31 | B30015553 | 1 | 0+6 SPARK MODULE TERMINAL HOUSING |
| NI | 025796-000 | 1 | HOUSING, MDL, ASM, 0+6 (INCLUDES ITEMS 31, 30, 28, 29, 2, & 27) |



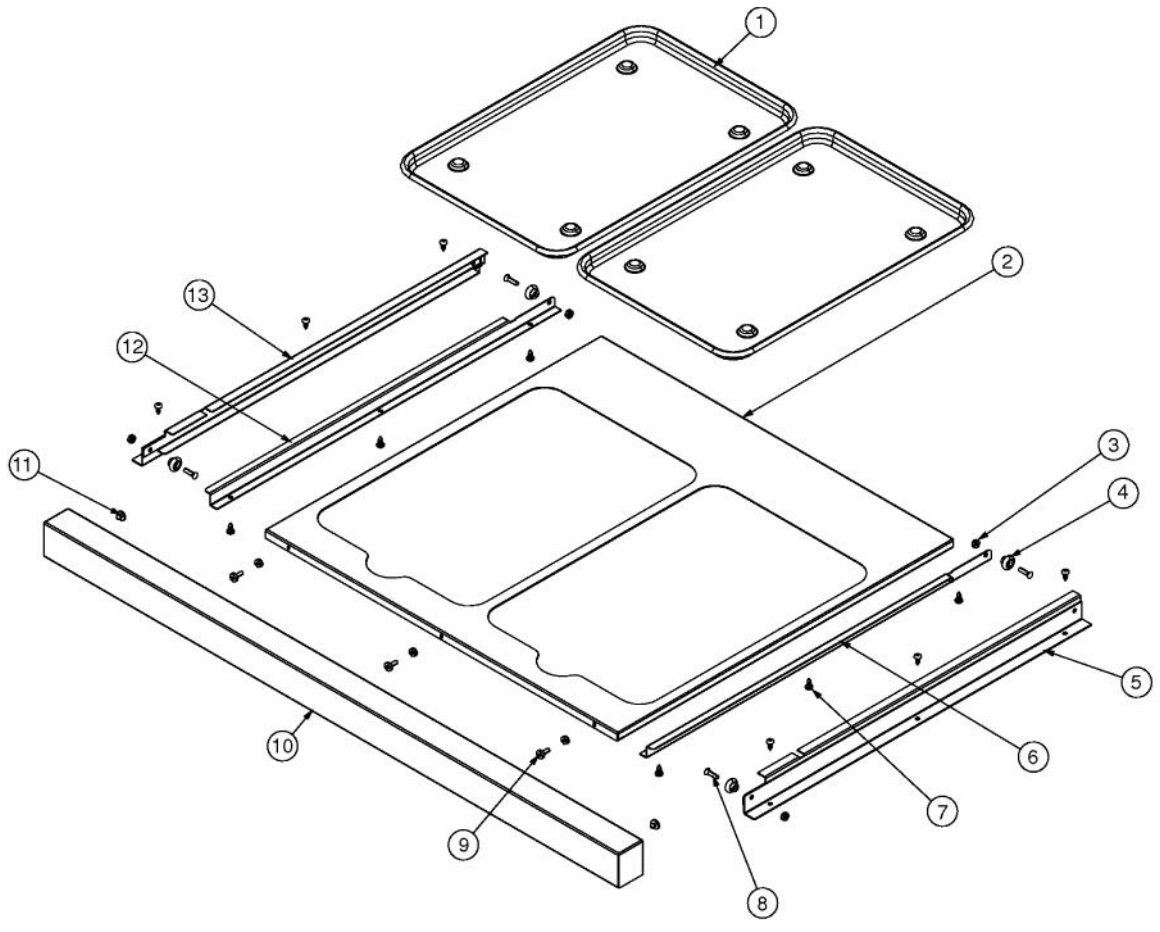
| Ref # | Part Number | Qty. | Description |
|-------|-------------|------|--|
| 1 | 002369-000 | 1 | REDESIGN BBQ GRATE - FULL |
| 2 | 002370-000 | 2 | REDESIGN BBQ GRATE - HALF |
| 3 | 024157-000 | 2 | SHIELD, GRS |
| 4 | 023000-000 | 2 | BURNER, GRL, ASM, U |
| 5 | 020061-000 | 4 | SCR,DR,PHLP,HXWH,410SS,NPLT, 6-20 X 3/8 |
| 6 | PB020114 | 2 | FLASH TUBE (VGBQ3002T) |
| 7 | PB040288 | 2 | SMOKER BURNER IGNITER |
| 8 | 004706-000 | 2 | MACHINE SCREW, 6-32 X 3/8, PAN HD, PHILLIPS |
| NI | 025701-000 | 2 | BURNER, GRL, ASM (INCLUDES ITEMS 4, 7, & 8) |



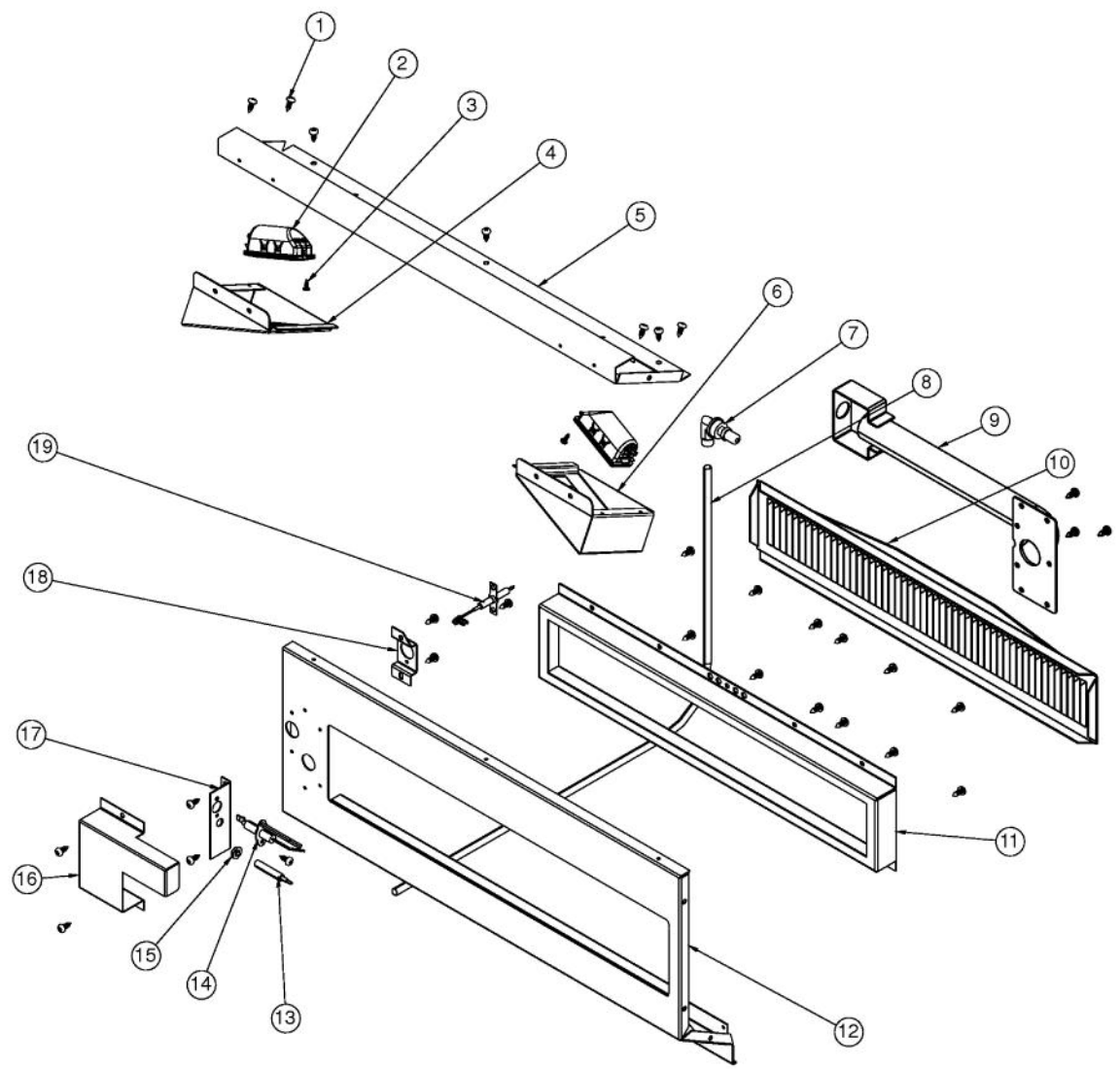
| Ref # | Part Number | Qty. | Description |
|-------|-------------|------|---|
| 1 | 020051-000 | 35 | SCR, DR, PHLP,PNH, 410SS, NPLT, 10-16 X 1/2 |
| 2 | 025802-000 | 1 | SHIELD, CANOPY, FR |
| 3 | 003635-000 | 1 | 30 CANOPY HEAT SHIELD |
| 4 | PD020056 | 2 | NO.10-24 X 1/2 PH.TR. M.S. SS |
| 5 | 007379-000 | 1 | GRILL CANOPY INSIDE RH |
| 6 | 003630-000 | 1 | GRILL CANOPY OUTSIDE RH |
| 7 | 007215-000 | 1 | CANOPY SPRING END MOUNT-RH |
| 8 | PD040010 | 2 | DOOR HANDLE SPACER |
| 9 | 000268-000 | 2 | HANDLE END CAP ASSY |
| 10 | PB010304 | 1 | KNOB BEZEL |
| 11 | 020659-000 | 1 | GAUGE, BMTL, TEMPERATURE |
| 12 | PE030041 | 1 | DOOR HANDLE (CANOPY) XSSX (VGBQ30) |
| 13 | PD020069 | 4 | CAP SCREW 1/4-20 X 3/4 SS |
| 14 | 003633-000 | 1 | GRILL CANOPY INSIDE LH |
| 15 | 003632-000 | 1 | GRILL CANOPY OUTSIDE LH |
| 16 | 026724-000 | 1 | SPACER, WSHR |
| NI | 025805-000 | 1 | HOOD, GRL, ASM, 30 (INCLUDES ITEMS 1 - 15) |



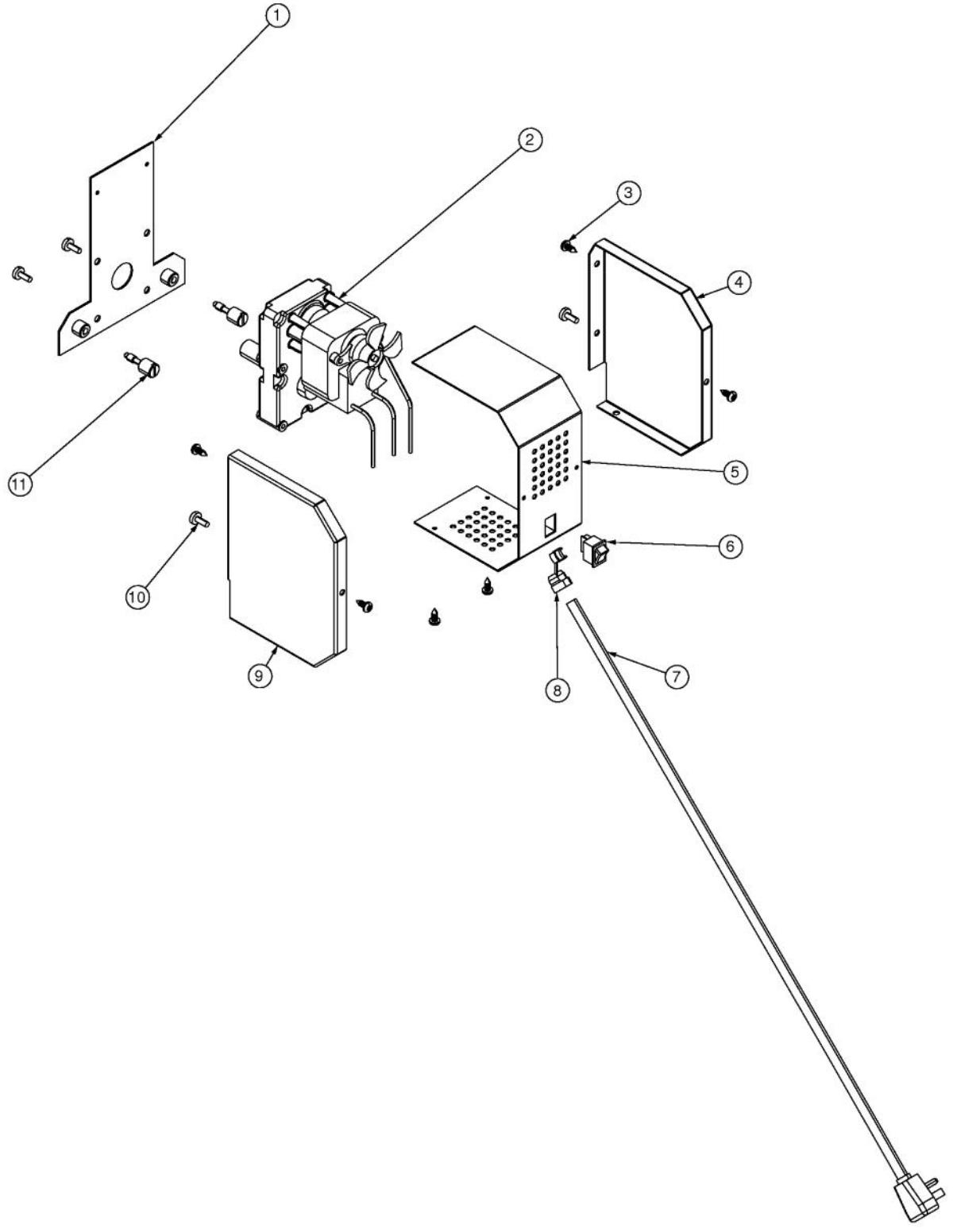
| Ref # | Part Number | Qty. | Description |
|-------|-------------|------|---|
| 1 | 025792-000 | 1 | PANEL, CTRL, VGBQ4122RE2 |
| 2 | PE050063 | 1 | SPARKER SWITCH |
| 3 | 020061-000 | 10 | SCR,DR,PHLP,HXWH,410SS,NPLT, 6-20 X 3/8 |
| 4 | PD030050 | 4 | 10-24 CAGE NUT SS |
| 5 | 020051-000 | 4 | SCR, DR, PHLP,PNH, 410SS, NPLT, 10-16 X 1/2 |
| 6 | 007657-000 | 1 | PROT. COVER |
| 7 | PD020073 | 2 | SRW NO.10 X 24 X 3/8 WAFER HD TYPE23 |
| 8 | 006021-000 | 1 | SCE, PWR, LED, 12VAC |
| 9 | 006390-000 | 2 | GAS VALVE - NAT. |
| 9 | 006391-000 | 2 | GAS VALVE - LP |
| 10 | 002884-000 | 1 | MANIFOLD PLUG |
| 11 | PB040263 | 1 | 5/16 FERRULE |
| 12 | PB040228 | 1 | FITTING BRASS COMPRESSION NUT |
| 13 | PB010191 | 1 | I.R. SAFETY VALVE (PHASE II GRILLS) |
| 13 | PB010220 | 1 | I.R. SAFETY VALVE LP |
| 14 | 025728-000 | 1 | MANIFOLD, GRL, 41 |
| 15 | 023650-000 | 1 | NIPPLE, ASM |
| 16 | G3004936 | 1 | REGULATOR ASSY - NAT (P1 GRILL) |
| 16 | G3004937 | 1 | REGULATOR ASSY - L.P. W/HOSE |
| 17 | 006388-000 | 2 | GAS VALVE - NAT. |
| 17 | 006389-000 | 2 | GAS VALVE - LP |
| 18 | PD010012 | 6 | VALVE BOLT 1/4-20 UNC-2B 5/16 M.S. |
| 19 | G3005222 | 1 | LANDING LEDGE ASSY-41 (PHASE 2) |
| 20 | 005999-000 | 5 | LED BOARD ASSEMBLY |
| 21 | PE050019 | 1 | OVEN LIGHT SWITCH (VGSO166) 90-DEG. |
| 22 | PD020056 | 4 | NO.10-24 X 1/2 PH.TR. M.S. SS |
| 23 | PB010163 | 2 | OVEN LIGHT SWITCH KNOB BK |
| 24 | PD030006 | 2 | CAPPED WASHER PAL NUT |
| 25 | PB010304 | 5 | KNOB BEZEL |
| 26 | 003561-000 | 4 | OUTDOOR GRILL KNOB |
| 27 | 015009-000 | 1 | OUTDOOR LOGO - 3 CHROME |
| 28 | 020041-000 | 5 | SCR, DR, PH, PNH, 410 SS, NPLT, 6-20 X 3/8 |
| 29 | 003563-000 | 1 | ROTIS BURNER KNOB |
| NI | 025791-000 | 1 | MANIFOLD, GAS, ASM, VGBQ4122RE (INCLUDES ITEMS 14, 17, 13, 10, 18, 15, & 9) |
| NI | 025702-000 | 1 | HOUSING, XFMR, ASM (INCLUDES ITEMS 6, 8, & 7) |
| NI | 026747-000 | 1 | MANIFOLD, LP GAS ASM, VGBQ4122RE2 (INCLUDES ITEMS 6, 8, & 7) |
| NI | 025794-000 | 1 | PANEL, CTRL, ASM, VGBQ4122RE2 (INCLUDES ITEMS 1, 27, 24, 25, 2, 22, 23, 20, 28, & 3) |



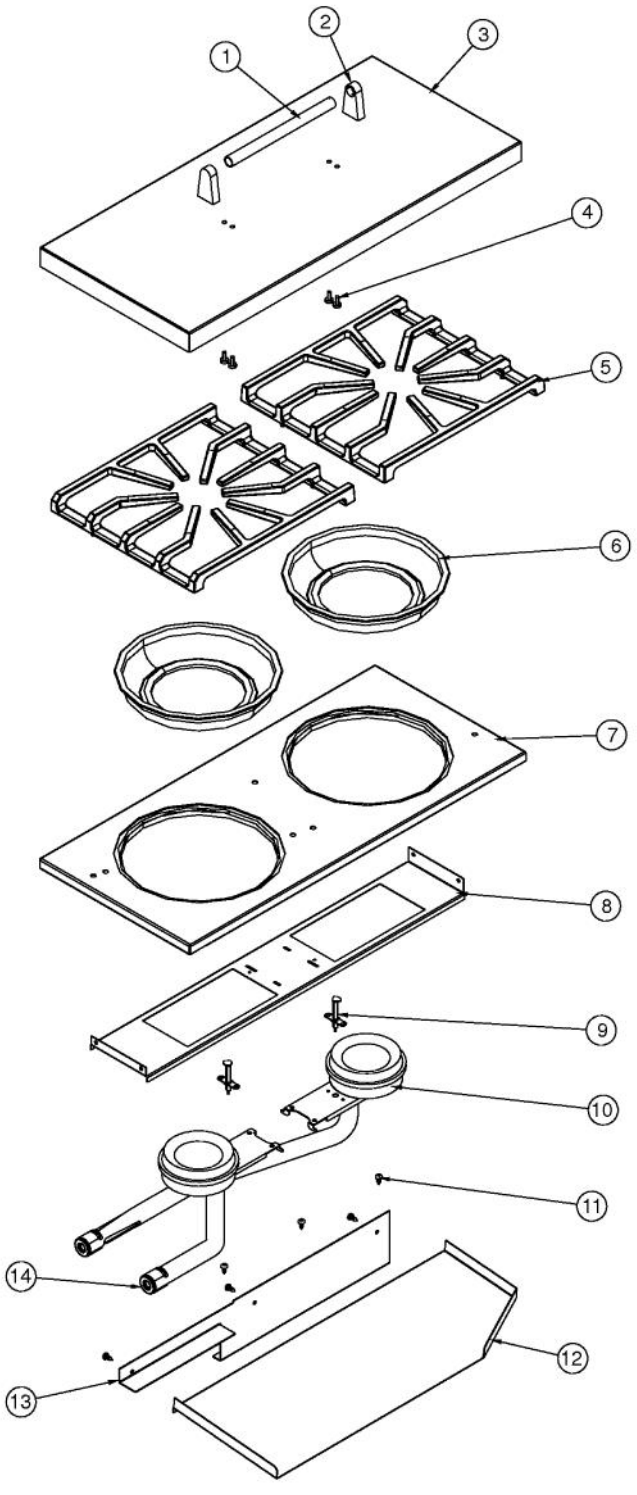
| Ref # | Part Number | Qty. | Description |
|-------|-------------|------|--|
| 1 | J2101749 | 2 | GREASE PAN |
| 2 | B2005311 | 1 | DRIP TRAY 41 SIDE |
| 3 | PD030044 | 7 | 10-24 KEPS NUT SS |
| 4 | PC020025 | 4 | DRIP TRAY WHEEL |
| 5 | G3005215 | 1 | DRIP TRAY SLIDE - RH |
| 6 | B2005316 | 1 | DRIP TRAY RUNNER RH |
| 7 | 020051-000 | 12 | SCR, DR, PHLP,PNH, 410SS, NPLT, 10-16 X 1/2 |
| 8 | PD020082 | 4 | 10 X 24 COUNTERSUNK S.S. SCREW |
| 9 | PD020056 | 3 | NO.10-24 X 1/2 PH.TR. M.S. SS |
| 10 | B3005314 | 1 | 41 DRIP TRAY HANDLE (PHASE 2) |
| 11 | PD040004 | 2 | GROMMET BUMPER |
| 12 | B2005317 | 1 | DRIP TRAY RUNNER LH (PHASE 2) |
| 13 | G3005214 | 1 | DRIP TRAY SLIDE - LH |
| NI | G3205307 | 1 | 41" DRIP TRAY ASSY W/SIDE BURNER (INCLUDES ITEMS 2, 12, 6, 4, 8, & 3) |



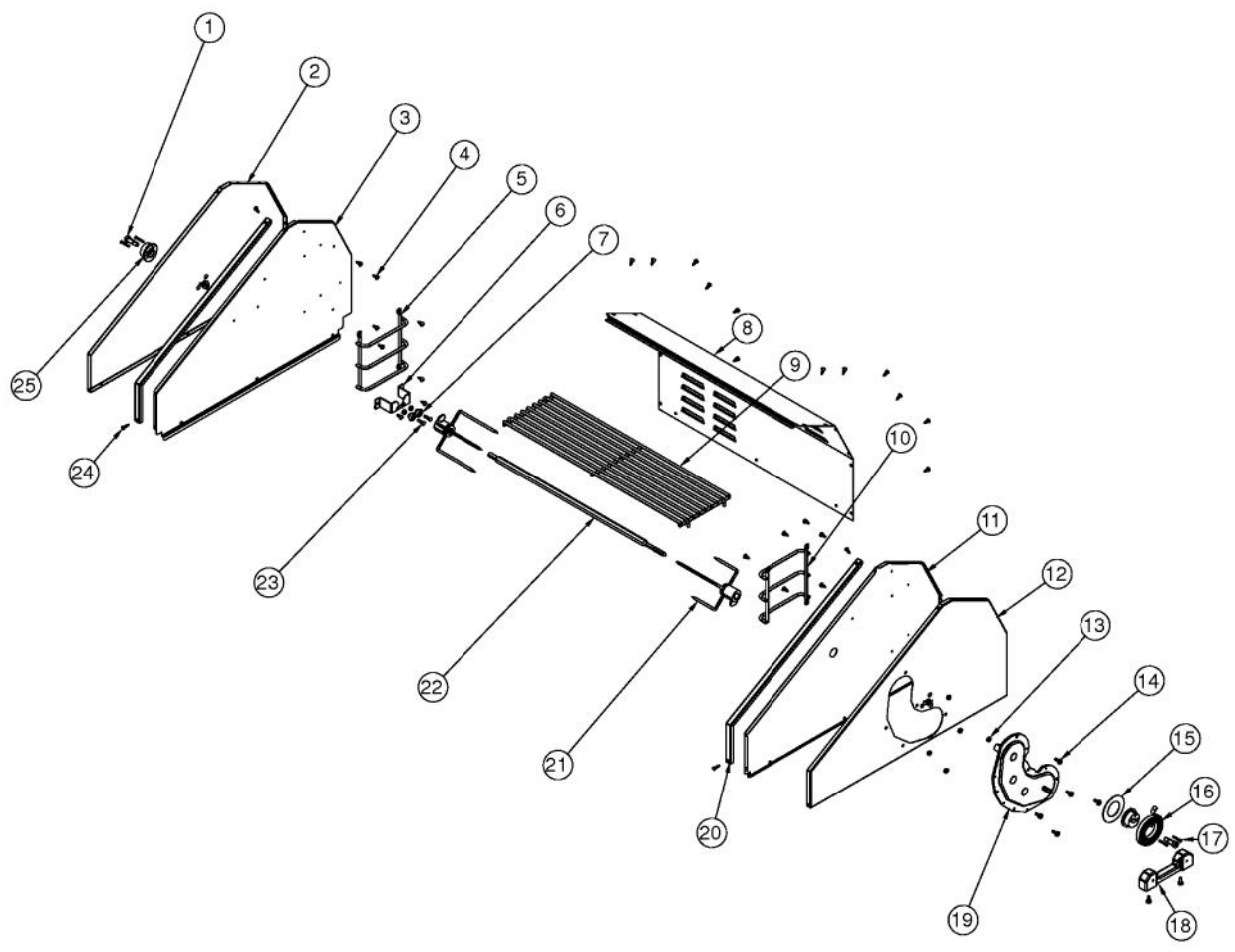
| Ref # | Part Number | Qty. | Description |
|-------|-------------|------|---|
| 1 | 020051-000 | 27 | SCR, DR, PHLP,PNH, 410SS, NPLT, 10-16 X 1/2 |
| 2 | 001310-000 | 2 | 120V HALOGEN LIGHT |
| 3 | 020041-000 | 2 | SCR, DR, PH, PNH, 410 SS, NPLT, 6-20 X 3/8 |
| 4 | 000602-000 | 1 | GRILL LIGHT HOUSING LH |
| 5 | E9105393 | 1 | 30`` FRONT HOUSING TOP |
| 6 | 000603-000 | 1 | GRILL LIGHT HOUSING RH |
| 7 | PB040124 | 1 | 90 DEG. ORIFICE FITTING |
| 7 | PB040125 | | ORIFICE FTG 90D 20IR NO.57 HD YELLOW |
| 8 | PB020096 | 1 | 48 5/16 S.S. FLEX TUBING REPL F2003505 |
| 9 | PB050060 | 1 | I/R VENTURI (PHASE 2 BBQ) |
| 10 | G3005289 | 1 | BURNER,ASM,,ASM,IR,20 |
| 11 | B2005347 | 1 | INFRARED FRAME |
| 12 | G91015522 | 1 | FRONT HOUSING ASSY (VGIQ3002RT) |
| 13 | PB010162 | 1 | THERMOCOUPLE - BBQ GRILL W/ ROTIS |
| 14 | PB040160 | 1 | WOK IGNITER |
| 15 | PD030048 | 1 | THERMOCOUPLE NUT M08-VGBQ-8743300007 |
| 16 | B20015402 | 1 | I/R IGNITOR COVER LH |
| 17 | B20015403 | 1 | IR IGNITOR BRACKET |
| 18 | B20015401 | 1 | FLEXIBLE IGNITOR STANDOFF |
| 19 | PB040280 | 1 | FLEXIBLE ROTISSERIE IGNITOR |



| Ref # | Part Number | Qty. | Description |
|-------|-------------|------|---|
| 1 | 002081-000 | 1 | ROT MOTOR MOUNTING PLATE ASSY |
| 2 | PE070184 | 1 | ROTISSERIE MOTOR |
| 3 | 020051-000 | 6 | SCR, DR, PHLP,PNH, 410SS, NPLT, 10-16 X 1/2 |
| 4 | B2005285 | 1 | PHASE II ROTIS BOX FRONT |
| 5 | B2005286 | 1 | PHASE II ROTIS COVER |
| 6 | PE050051 | 1 | ROTISSERIE SWITCH |
| 7 | PE070189 | 1 | ELECTRICAL SUPPLY CORD - BBQ GRILL |
| 8 | PD040044 | 1 | SNAP THRU BUSHING 1/4DIA CORD |
| 9 | B2005284 | 1 | PHASE II ROTIS BOX FRONT |
| 10 | PD020056 | 4 | NO.10-24 X 1/2 PH.TR. M.S. SS |
| 11 | PD010090 | 2 | ROTISSERIE FASTENER KNOB |
| NI | G3205282 | 1 | ROTISSERIE MOTOR ASSEMBLY (PHASE 2) (INCLUDES ITEMS 1 THRU 11) |



| Ref # | Part Number | Qty. | Description |
|-------|-------------|------|--|
| 1 | PE030197 | 1 | VGIQ30 COVER HANDLE |
| 2 | PE030187 | 2 | ENDCAP, TUBE |
| 3 | 004459-000 | 1 | GRILL SIDE BURNER COVER |
| 4 | PD020056 | 4 | NO.10-24 X 1/2 PH.TR. M.S. SS |
| 5 | 003082-000 | 2 | OUTDOOR SPIDER GRATE |
| 6 | PA030002 | 2 | BURNER BOWL |
| 7 | 004461-000 | 1 | 41 GRILL SIDE BURNER GRATE SUPPORT |
| 8 | B2005260 | 1 | PHASE II BURNER SUPPORT |
| 9 | PA020028 | 2 | SPARK IGNITER |
| 10 | 004278-000 | 1 | SS BURNER ASM, REAR TOP |
| 11 | 020051-000 | 6 | SCR, DR, PHLP,PNH, 410SS, NPLT, 10-16 X 1/2 |
| 12 | B20015507 | 1 | GREASE DIVERTER |
| 13 | B20015506 | 1 | SIDE BURNER DRIP SHIELD |
| 14 | 004277-000 | 1 | SS BURNER ASM, FRONT SIDE |
| NI | 004460-000 | 1 | GRILL SIDE BURNER COVER ASSEMBLY (INCLUDES ITEMS 3, 2, & 1) |



| Ref # | Part Number | Qty. | Description |
|-------|-------------|------|---|
| 1 | PD010043 | 2 | 5/16INCH SHOULDER BOLT (PHASE 2) |
| 2 | G5005257 | 1 | OUTSIDE WINDSHIELD ASSY LH |
| 3 | B20015419 | 1 | INSIDE WINDSHIELD LH |
| 4 | Q20051-000 | 26 | SCR, DR, PHLP,PNH, 410SS, NPLT, 10-16 X 1/2 |
| 5 | PB060113 | 1 | WARMING RACK SUPPORT LH |
| 6 | B2005278 | 1 | ROTISSERIE ROLLER BRACKET (PHASE 2) |
| 7 | PC020025 | 2 | DRIP TRAY WHEEL |
| 8 | 003652-000 | 1 | 30 GRILL REAR COVER |
| 9 | PB060057 | 1 | WARMING RACK 30 |
| 10 | PB060112 | 1 | WARMING RACK SUPPORT RH |
| 11 | B20015418 | 1 | INSIDE WINDSHIELD RH |
| 12 | G5005256 | 1 | OUTSIDE WINDSHIELD ASSY RH |
| 13 | PD030044 | 7 | 10-24 KEPS NUT SS |
| 14 | PD020056 | 7 | NO.10-24 X 1/2 PH.TR. M.S. SS |
| 15 | 007818-000 | 1 | RETAINER, CANOPY SPRING |
| 16 | 007206-000 | 1 | CANOPY, SPRING, ASSIST- LIGHT |
| 17 | 006779-000 | 4 | NO.6-32 X 1.0 SS FLAT HD SCREW |
| 18 | PB060055 | 1 | ROTISSERIE MOUNT CASTING |
| 19 | PC070024 | 1 | ROTIS. GEAR BOX ASSY |
| 20 | B20015574 | 2 | GRILL WINDSHIELD TRIM |
| 21 | PB060058 | 2 | SPIT FORK |
| 22 | PB060054 | 1 | ROTIS SPIT ROD 30 |
| 23 | PD020082 | 2 | 10 X 24 COUNTERSUNK S.S. SCREW |
| 24 | Q20037-000 | 4 | SCR, DR, FCSKHP, 410 SS, NPLT, 8-18 X 3/4 |
| 25 | 005942-000 | 2 | SPRING INDEX |

*No Image
Available*

| Ref # | Part Number | Qty. | Description |
|-------|-------------|------|---------------------|
| NI | 026341-000 | 1 | HARN, MAIN, 4122RE2 |

*No Image
Available*

| Ref # | Part Number | Qty. | Description |
|-------|-------------|------|------------------------------|
| NI | G4006379 | 1 | WIRE ASSY (VGBQ-T SERIES) 25 |

*No Image
Available*

| Ref # | Part Number | Qty. | Description |
|-------|-------------|------|-----------------|
| NI | G40016230 | 1 | IGNITOR WIRE 40 |

*No Image
Available*

| Ref # | Part Number | Qty. | Description |
|-------|-------------|------|-----------------|
| NI | G40016234 | 1 | IGNITOR WIRE 22 |

*No Image
Available*

| Ref # | Part Number | Qty. | Description |
|-------|-------------|------|-----------------|
| NI | G40016228 | 1 | IGNITOR WIRE 25 |

*No Image
Available*

| <u>Ref #</u> | <u>Part Number</u> | <u>Qty.</u> | <u>Description</u> |
|--------------|--------------------|-------------|---------------------------|
| NI | 025323-000 | 1 | HARNESS, WIRE, ROTISSERIE |

*No Image
Available*

| Ref # | Part Number | Qty. | Description |
|-------|-------------|------|----------------|
| NI | 006017-000 | 3 | LED WIRE 4.875 |

*No Image
Available*

| Ref # | Part Number | Qty. | Description |
|-------|-------------|------|----------------|
| NI | 006105-000 | 1 | LED WIRE 11.50 |

*No Image
Available*

| Ref # | Part Number | Qty. | Description |
|-------|-------------|------|----------------|
| NI | 006019-000 | 1 | LED WIRE 10.75 |

*No Image
Available*

| Ref # | Part Number | Qty. | Description |
|-------|-------------|------|-----------------------|
| NI | 006384-000 | 1 | 30 & 41 WIRE ASSEMBLY |

*No Image
Available*

| Ref # | Part Number | Qty. | Description |
|-------|-------------|------|---------------------------|
| NI | G50013595 | 1 | LP CONNECTION SERVICE KIT |