

This Owner's Manual is provided and hosted by [Appliance Factory Parts](#).



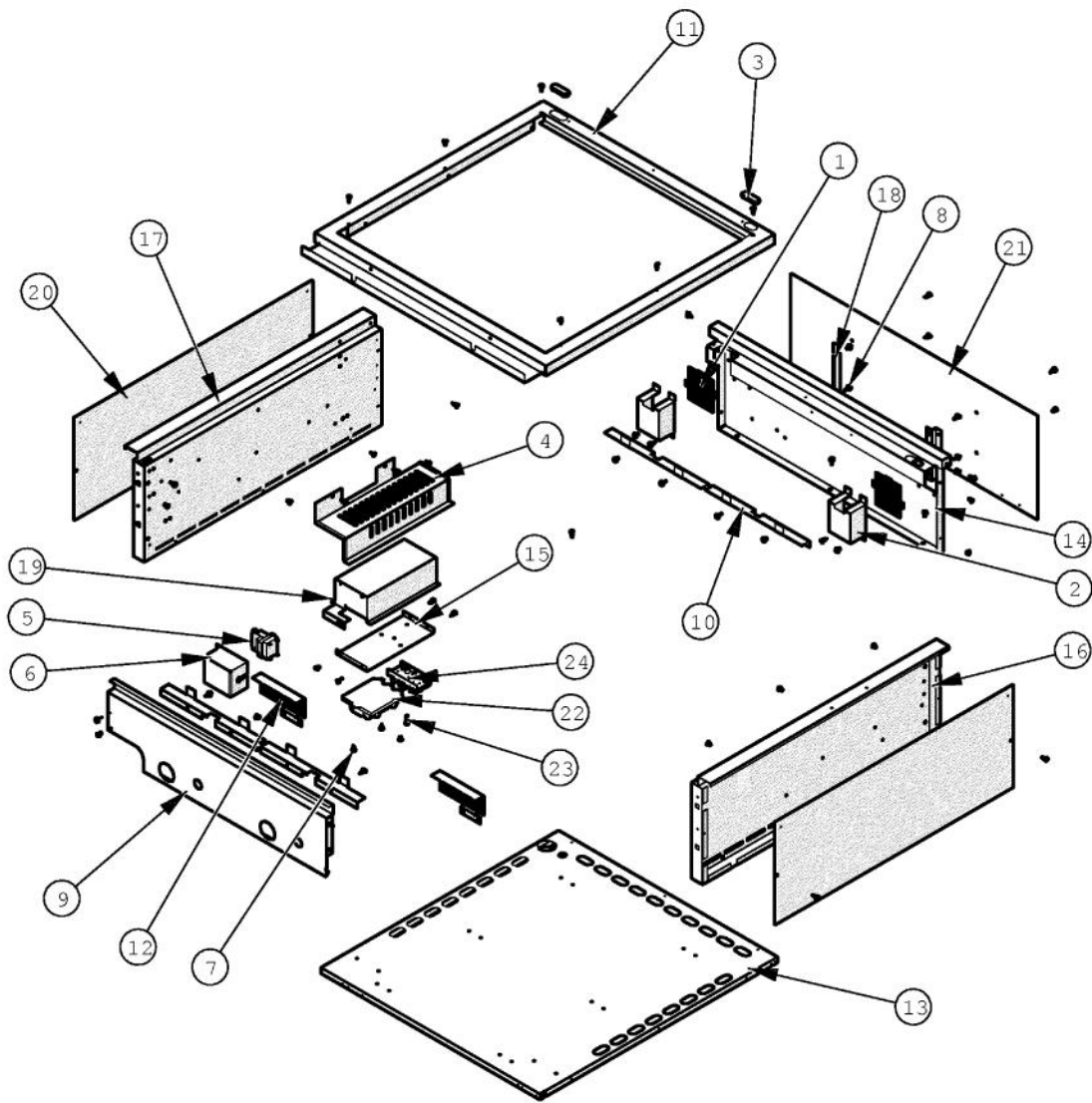
VIKING VGBQ53002RE Owner's Manual

[Shop genuine replacement parts for VIKING
VGBQ53002RE](#)

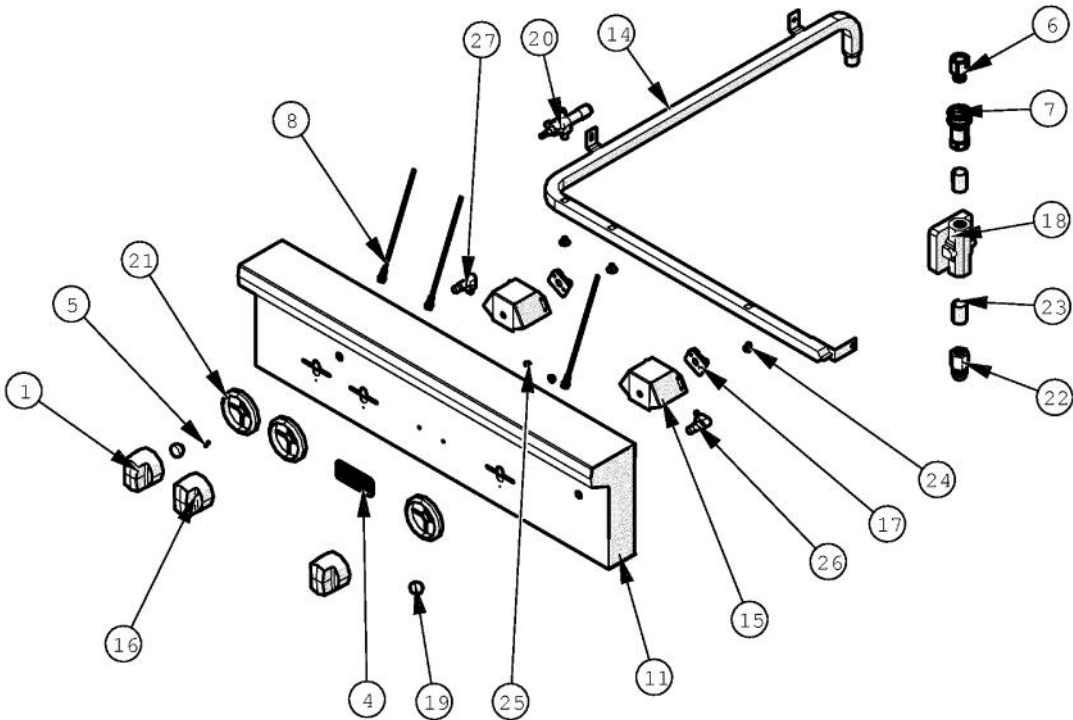


[Find Your VIKING Grill Parts - Select From 210 Models](#)

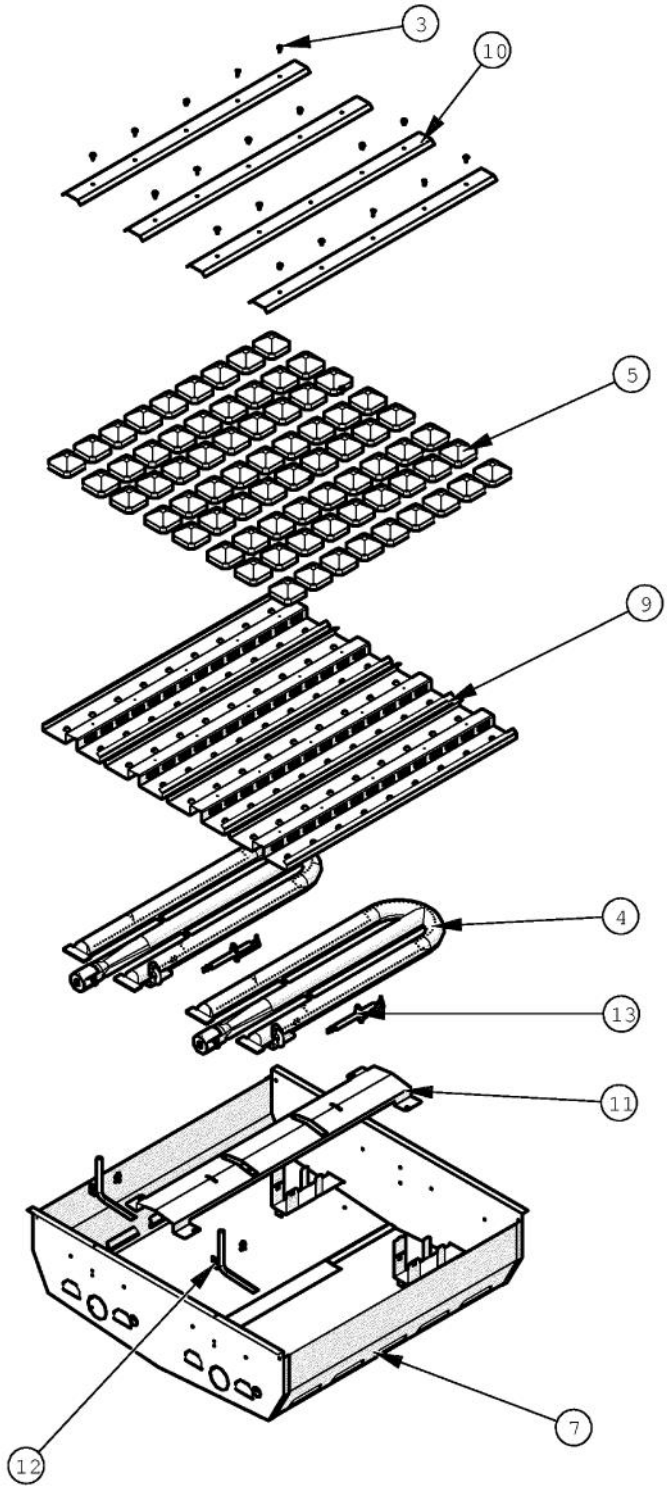
----- Manual continues below -----



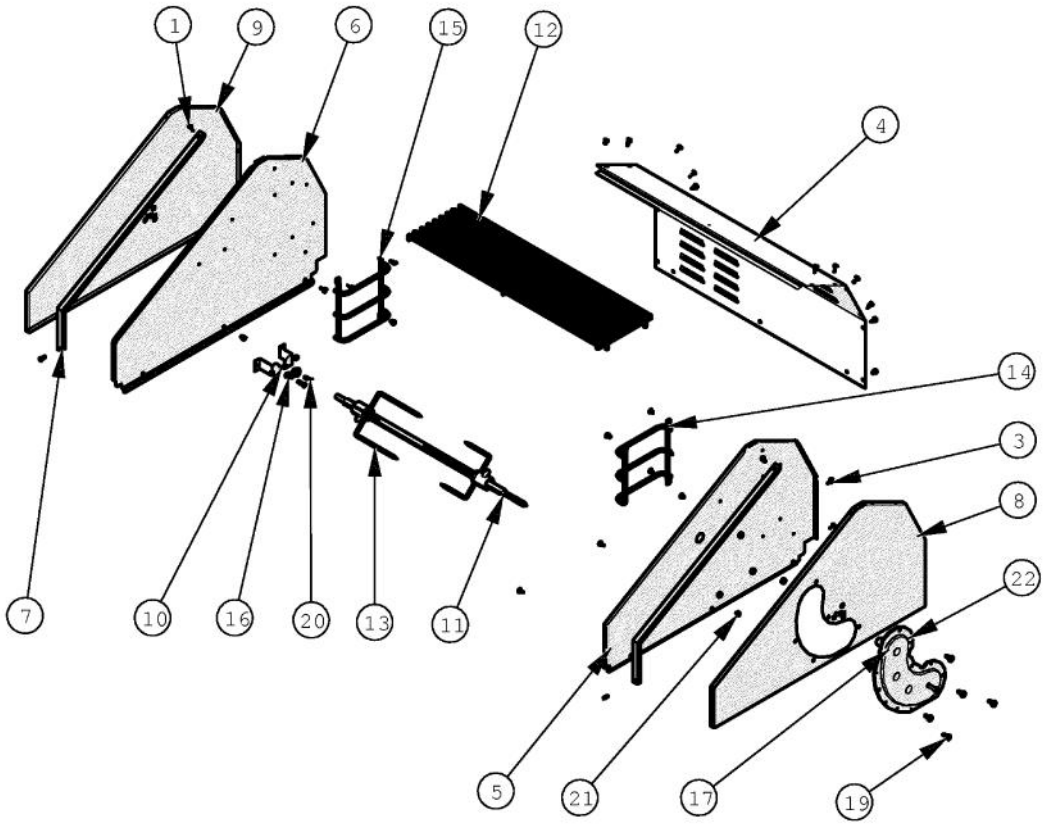
Ref #	Part Number	Qty.	Description
1	002353-000	2	GRILL PLUG VENT
2	002355-000	2	GRILL RECEPTACLE BOX
3	002671-000	2	RUBBER DOOR BUMPER
4	004089-000	1	POWER CORD SHIELD
5	006021-000	1	SCE, PWR, LED, 12VAC
6	007657-000	1	PROT. COVER
7	020051-000	6	SCR, DR, PHLP,PNH, 410SS, NPLT, 10-16 X 1/2
8	PD020055	6	NO.10 X 1/2 PAN PHIL. TEK. SS
9	025801-000	1	SUPPORT, GRL, FR, VGBQ3002RE2
10	031814-000	4	SUPPORT, TRAY, BRIQUETTE
11	033797-000	1	GRILL FRAME 30
12	034426-000	2	PLATE, GUARD
13	B20015510	1	GRILL BOX BOTTOM 30
14	B20015513	1	GRILL BOX BACK 30
15	B20015568	1	0+4 SM/TB HOUSING BTM
16	B2005203	1	GRILL BOX SIDE RH (PHASE 2)
17	B2005204	1	PANEL, GRL, LH
18	B2006305	2	HEAT SHIELD BRACKET
19	B30015552	1	0+4 SPARK MODULE TERMINAL HOUSING
20	L1005398	2	SIDE HEAT SHIELD
21	L1005399	1	REAR HEAT SHIELD 30``
22	PA020047	1	INVENSYS 0+4 RE-IGNITION SPARK MODULE
23	PD020166	1	NO.10 X 3/4 PAN PHIL. TEK. XSSX
24	PE070855	1	E SERIES TERMINAL BLOCK
NI	PE070791	1	GRILL POWER SUPPLY CORD (8 FT)



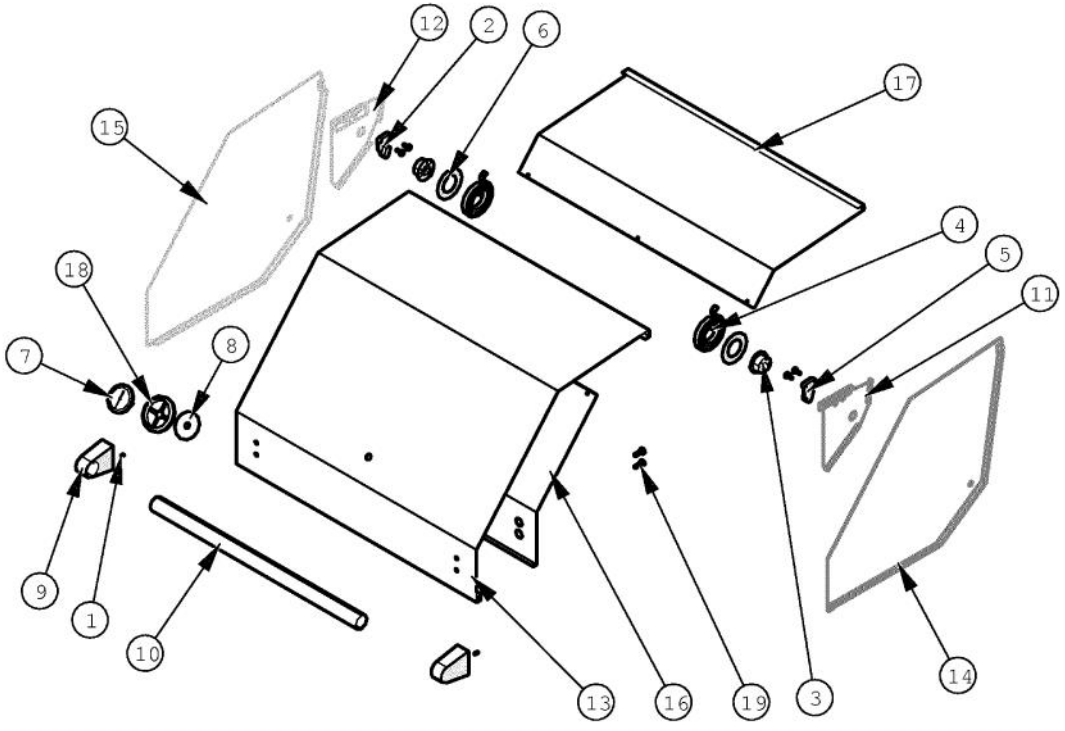
Ref #	Part Number	Qty.	Description
1	014616-000	2	GRILL KNOB - SS
4	015009-000	1	OUTDOOR LOGO - 3 CHROME
5	020041-000	1	SCR, DR, PH, PNH, 410 SS, NPLT, 6-20 X 3/8
6	023650-000	1	NIPPLE, ASM
7	023652-000	1	COUPLER, ASM
8	031337-000	3	LED, SHORT, ASM
11	032369-2377	1	CNTRL PANEL ASM, VGBQ53002RE W/GRAPHICS
14	025799-000	1	MANIFOLD, GRL, 30
15	033701-000	2	COVER, VALVE
16	014618-000	1	GRILL ROTISSERIE KNOB - SS
17	PA020045	2	IGNITOR SWITCH
18	PA070006	1	PRESSURE REGULATOR - NATURAL
18	PA070005	1	PRESSURE REG.(LP) RV47L-77-10.0
19	PB010163	2	OVEN LIGHT SWITCH KNOB BK
20	006388-000	2	GAS VALVE - NAT.
20	006389-000	2	GAS VALVE - LP
21	PB010304	3	KNOB BEZEL
22	PB020239	1	7/8 FLARE TO 1/2 FEMALE CONNECTOR
23	PB040046	2	1/2 CLOSE NIPPLE (VGSO166)
24	PD010012	3	VALVE BOLT 1/4-20 UNC-2B 5/16 M.S.
25	PD030006	2	CAPPED WASHER PAL NUT
26	PE050019	1	OVEN LIGHT SWITCH (VGSO166) 90-DEG.
27	PE050063	1	SPARKER SWITCH
NI	PB020227	1	HIGH PRESSURE LP HOSE
NI	PA010138	1	CYLINDER CONNECTION
NI	PA070007	1	LP TANK REGULATOR (VGBQ)



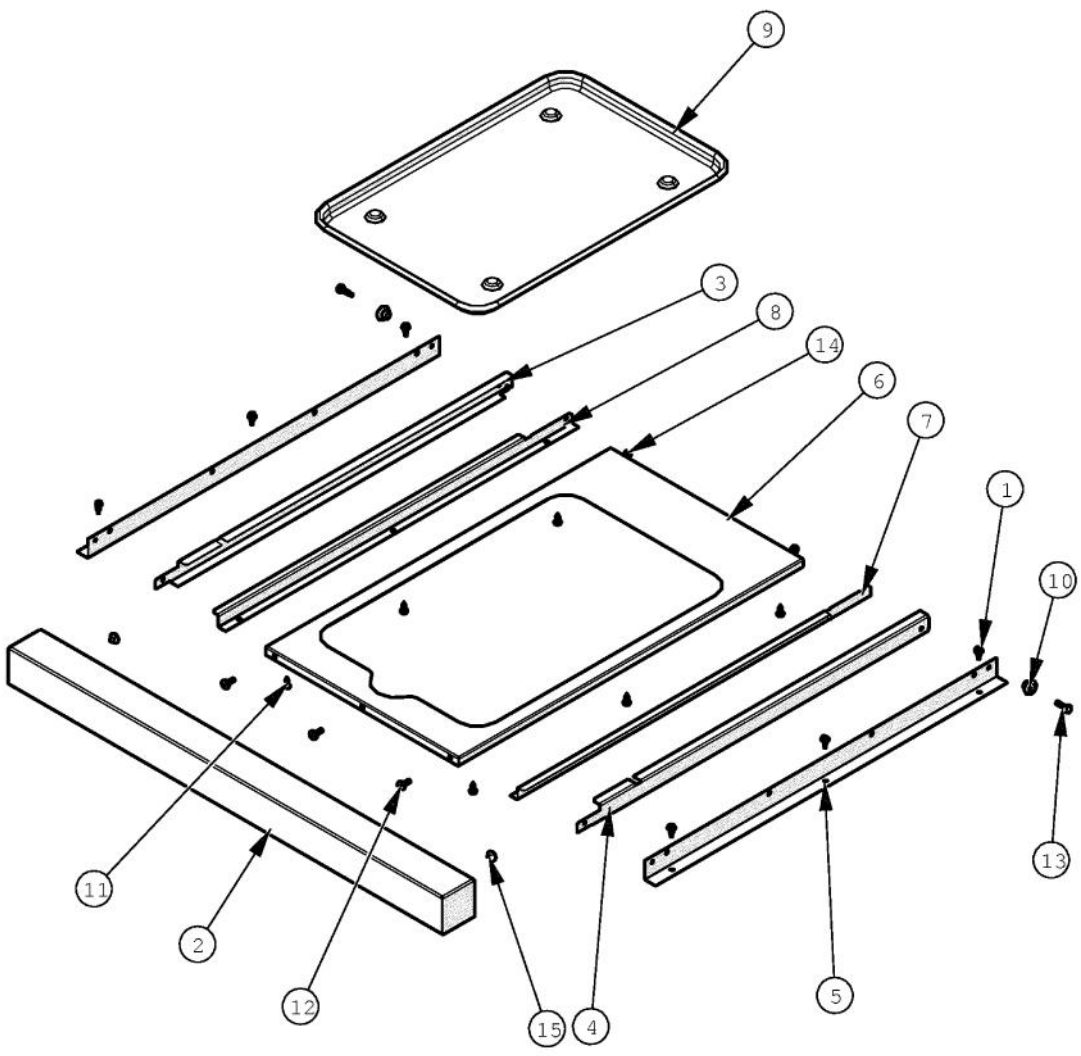
Ref #	Part Number	Qty.	Description
3	008026-000	4	NO.6-20 HEX WASHER SS SCREW
4	023000-000	2	BURNER, GRL, ASM, U
5	031278-000	66	BRIQUETTE, CERAMIC
7	032132-000	1	BOX, BNR, ASM, 30
9	032377-000	4	TRAY, CRMC, BRIQUETTE
10	032380-000	4	TRAY, CRMC, BRIQUETTE, TOP
11	B2005246	1	BURNER BOX SHIELD (PHASE 2)
12	PB020114	2	FLASH TUBE (VGBQ3002T)
13	PB040288	1	SMOKER BURNER IGNITER



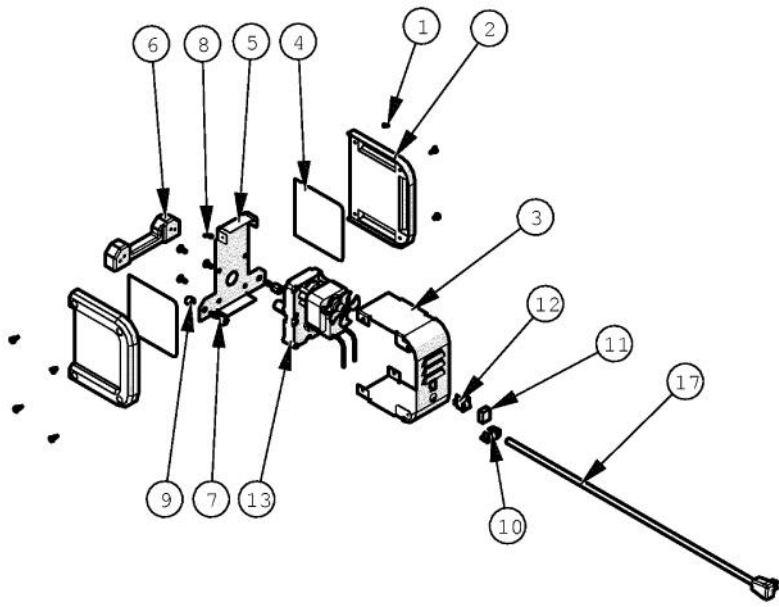
Ref #	Part Number	Qty.	Description
1	020051-000	6	SCR, DR, PHLP,PNH, 410SS, NPLT, 10-16 X 1/2
3	020055-000	28	SCR, DR, HXWH, 410SS, NPLT, 10-18 X 1/2
4	003652-000	1	30 GRILL REAR COVER
5	B20015418	1	INSIDE WINDSHIELD RH
6	B20015419	1	INSIDE WINDSHIELD LH
7	B20015574	2	GRILL WINDSHIELD TRIM
8	B20015575	1	OUTSIDE WINDSHIELD - RH
9	B20015576	1	OUTSIDE WINDSHIELD-LH
10	B2005278	1	ROTISSERIE ROLLER BRACKET (PHASE 2)
11	PB060054	1	ROTIS SPIT ROD 30
12	032869-000	1	SHELF, BQ30, 304, SST
13	PB060058	2	SPIT FORK
14	032868-000	1	SUPPORT, SHLF, 304, SST, RH
15	032867-000	1	SUPPORT, SHLF, 304, SST, LH
16	PC020025	2	DRIP TRAY WHEEL
19	PD020056	6	NO.10-24 X 1/2 PH.TR. M.S. SS
20	PD020082	4	10 X 24 COUNTERSUNK S.S. SCREW
21	PD030044	6	10-24 KEPS NUT SS
22	PC070024	1	ROTIS. GEAR BOX ASSY
NI	034607-000	2	FASTENER, BOLT, 5/16 - 1-1/2



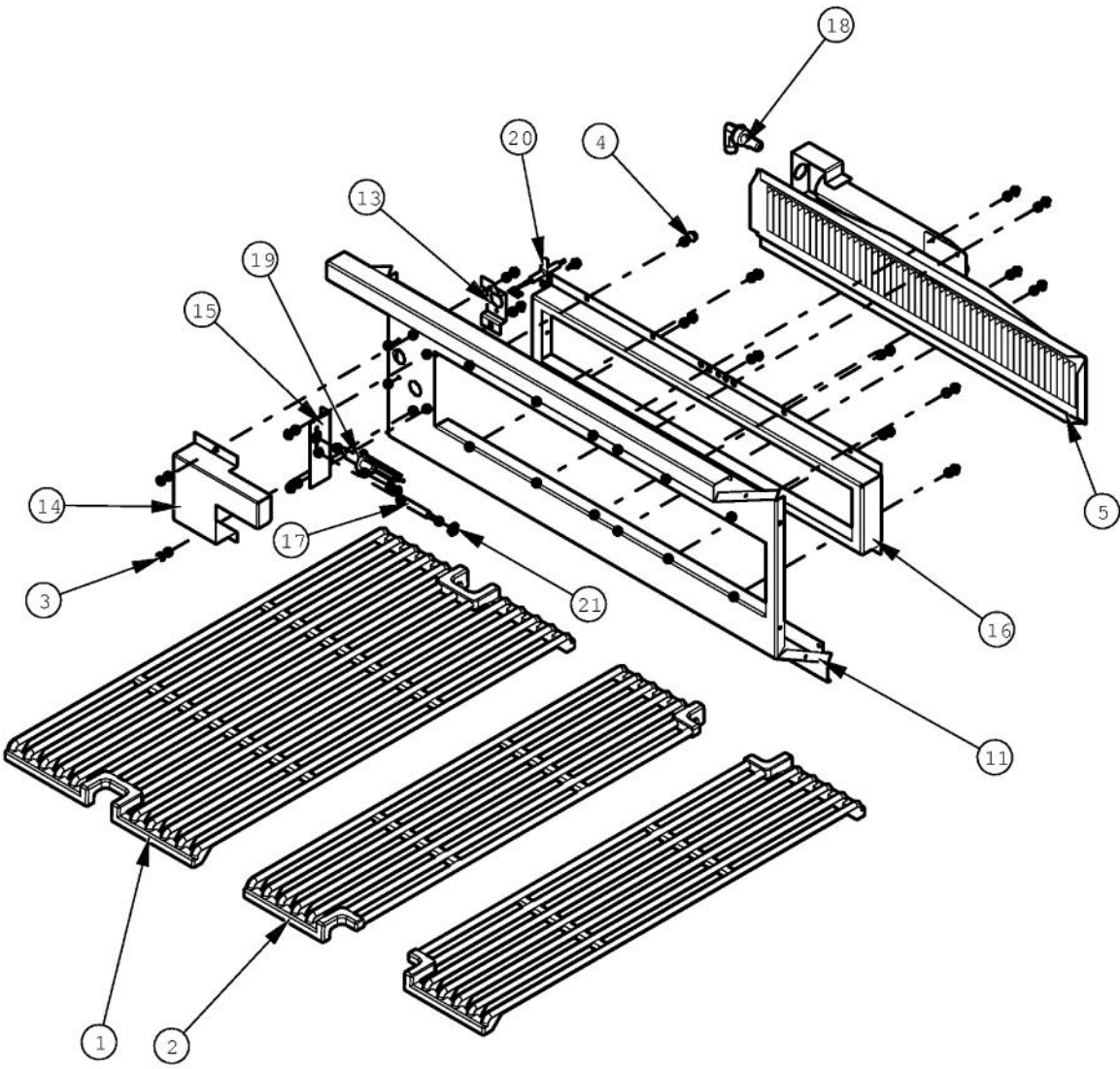
Ref #	Part Number	Qty.	Description
1	003650-000	2	SET SCREW
2	005941-000	1	CANOPY SPRING END MOUNT-LH
3	005942-000	2	SPRING INDEX
4	007206-000	2	CANOPY, SPRING, ASSIST- LIGHT
5	007215-000	1	CANOPY SPRING END MOUNT-RH
6	007818-000	2	RETAINER, CANOPY SPRING
7	020659-000	1	GAUGE, BMTL, TEMPERATURE
8	026724-000	1	SPACER, WSHR
9	026965-000	2	END CAP, ASM, DOOR HANDLE
10	032721-000	1	CANOPY HANDLE, GRILL ASM, 530
11	032469-000	1	PLATE, CANOPY END MOUNT, RH
12	032470-000	1	PLATE, CANOPY END MOUNT, LH
13	032635-000	1	CANOPY HOOD ASM, BQ530
14	032839-000	1	HOOD PANEL, RH
15	032842-000	1	HOOD PANEL, LH
16	032946-000	1	HOOD, INNER, LOWER, BQ530
17	032953-000	1	HOOD, INNER, UPPER, 530
18	PB010304	1	KNOB BEZEL
19	PD020056	4	NO.10-24 X 1/2 PH.TR. M.S. SS
19	PD020069	4	CAP SCREW 1/4-20 X 3/4 SS
NI	036547-000	2	GROMMET, RECTANGLE RUBBER (USED ON CANOPY)



Ref #	Part Number	Qty.	Description
1	020055-000	6	SCR, DR, HXWH, 410SS, NPLT, 10-18 X 1/2
2	032371-000	1	HANDLE, DRIP TRAY, 530
3	B20013593	1	DRIP TRAY SLIDE - LH
4	B20013594	1	DRIP TRAY SLIDE - RH
5	B2005213	2	DRIP TRAY GUIDE BRACKET (PHASE 2)
6	B2005312	1	DRIP TRAY 30 (PHASE 2)
7	B2005316	1	DRIP TRAY RUNNER RH
8	B2005317	1	DRIP TRAY RUNNER LH (PHASE 2)
9	J2101749	1	GREASE PAN
10	PC020025	2	DRIP TRAY WHEEL
11	PD020055	6	NO.10 X 1/2 PAN PHIL. TEK. SS
12	PD020056	3	NO.10-24 X 1/2 PH.TR. M.S. SS
13	PD020182	2	10 X 3/4 HEX HEAD SMS TEK. XSSX
14	PD030044	4	10-24 KEPS NUT SS
15	PD040004	2	GROMMET BUMPER
NI	G3005214	1	DRIP TRAY SLIDE - LH
NI	G3005215	1	DRIP TRAY SLIDE - RH



Ref #	Part Number	Qty.	Description
1	020051-000	8	SCR, DR, PHLP,PNH, 410SS, NPLT, 10-16 X 1/2
2	026550-000	2	ENDCAP, SPRT COVER
3	026554-000	1	BRACKET, ROTIS MAIN BODY
4	032600-000	2	PLATE, COVER, ENDCAP
5	032650-000	1	BRACKET, PNL, BACK, SUPPORT
6	PB060055	1	ROTISSERIE MOUNT CASTING
7	PD010090	2	ROTISSERIE FASTENER KNOB
8	PD020068	4	NO.10 - 32 X 1/2TRUSS. PHIL. M.XSSX
9	PD030064	2	CAPTURE NUT 1/4 NO.20
10	PD040044	1	SNAP THRU BUSHING 1/4DIA CORD
11	PE050046	1	ROTISSERIE SWITCH BOOT
12	PE050051	1	ROTISSERIE SWITCH
13	PE070184	1	ROTISSERIE MOTOR
17	PE070189	1	ELECTRICAL SUPPLY CORD - BBQ GRILL



Ref #	Part Number	Qty.	Description
1	002369-000	1	REDESIGN BBQ GRATE - FULL
2	002370-000	2	REDESIGN BBQ GRATE - HALF
3	020051-000	2	SCR, DR, PHLP,PNH, 410SS, NPLT, 10-16 X 1/2
4	PD020055	17	NO.10 X 1/2 PAN PHIL. TEK. SS
5	G3005289	1	BURNER,ASM,,ASM,IR,20
11	032493-000	1	WALL, GRILL, INNER, REAR 530
13	B20015401	1	FLEXIBLE IGNITOR STANDOFF
14	B20015402	1	I/R IGNITOR COVER LH
15	B20015403	1	IR IGNITOR BRACKET
16	B2005347	1	INFRARED FRAME
17	PB010162	1	THERMOCOUPLE - BBQ GRILL W/ ROTIS
18	PB050060	1	I/R VENTURI (PHASE 2 BBQ)
19	PB040160	1	WOK IGNITER
20	PB040280	1	FLEXIBLE ROTISSERIE IGNITOR
21	PD030048	1	THERMOCOUPLE NUT M08-VGBQ-8743300007
NI	PB010220	1	I.R. SAFETY VALVE LP

*No Image
Available*

Ref #	Part Number	Qty.	Description
NI	026343-000	1	HARN, MAIN, 3002RE2
NI	G40016227	1	IGNITOR WIRE 18
NI	G40016229	1	IGNITOR WIRE 34
NI	PE070643	4	SPARK IGNITOR WIRE - 30KVDC
NI	025323-000	1	HARNESS, WIRE, ROTISSERIE
NI	006384-000	1	30 & 41 WIRE ASSEMBLY
NI	G4000936	1	GROUND WIRE
NI	G4001656	1	SPARK MODULE GROUND WIRE