

This Owner's Manual is provided and hosted by [Appliance Factory Parts](#).



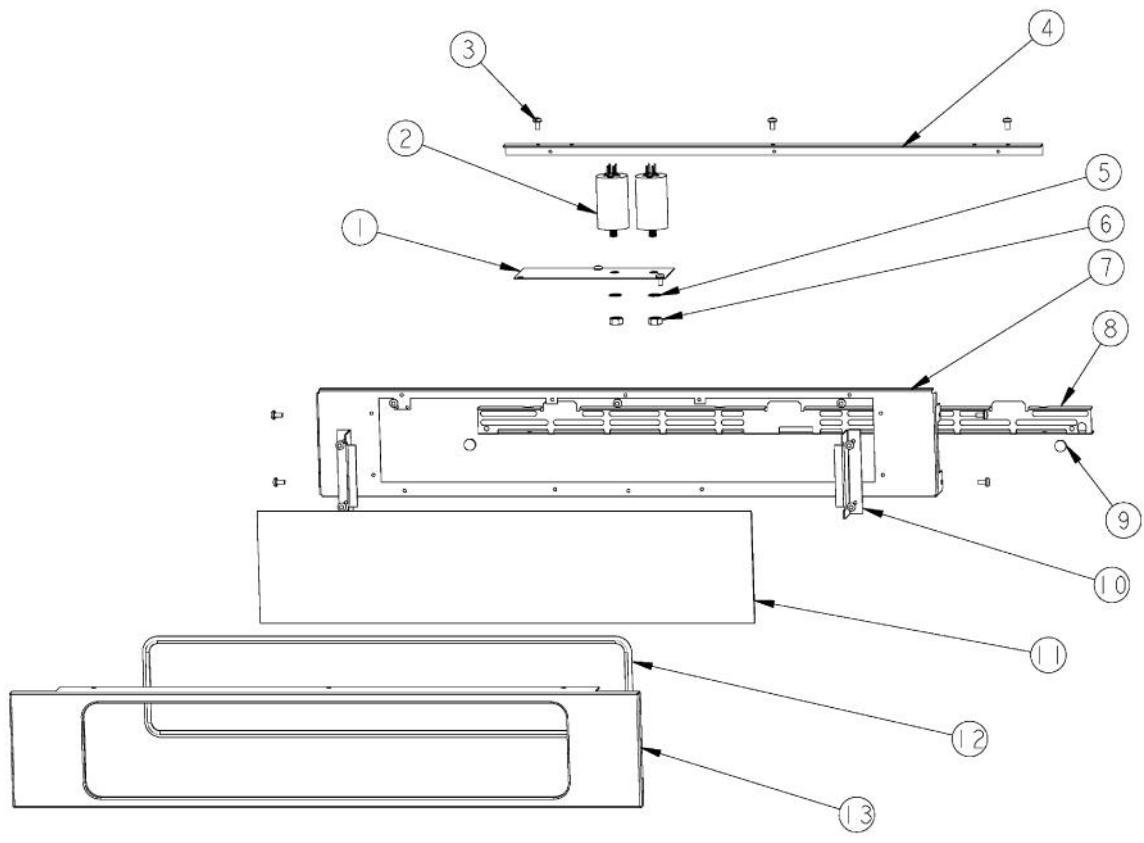
# VIKING VESO130T Owner's Manual

[Shop genuine replacement parts for VIKING VESO130T](#)

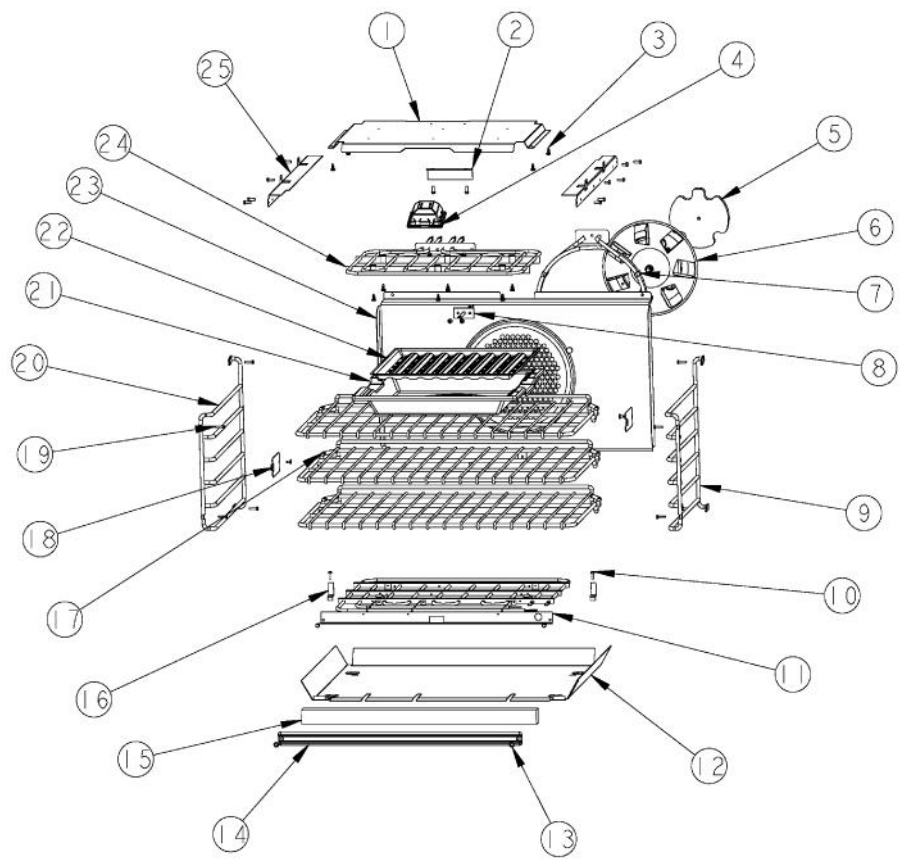


[Find Your VIKING Oven Parts - Select From 98 Models](#)

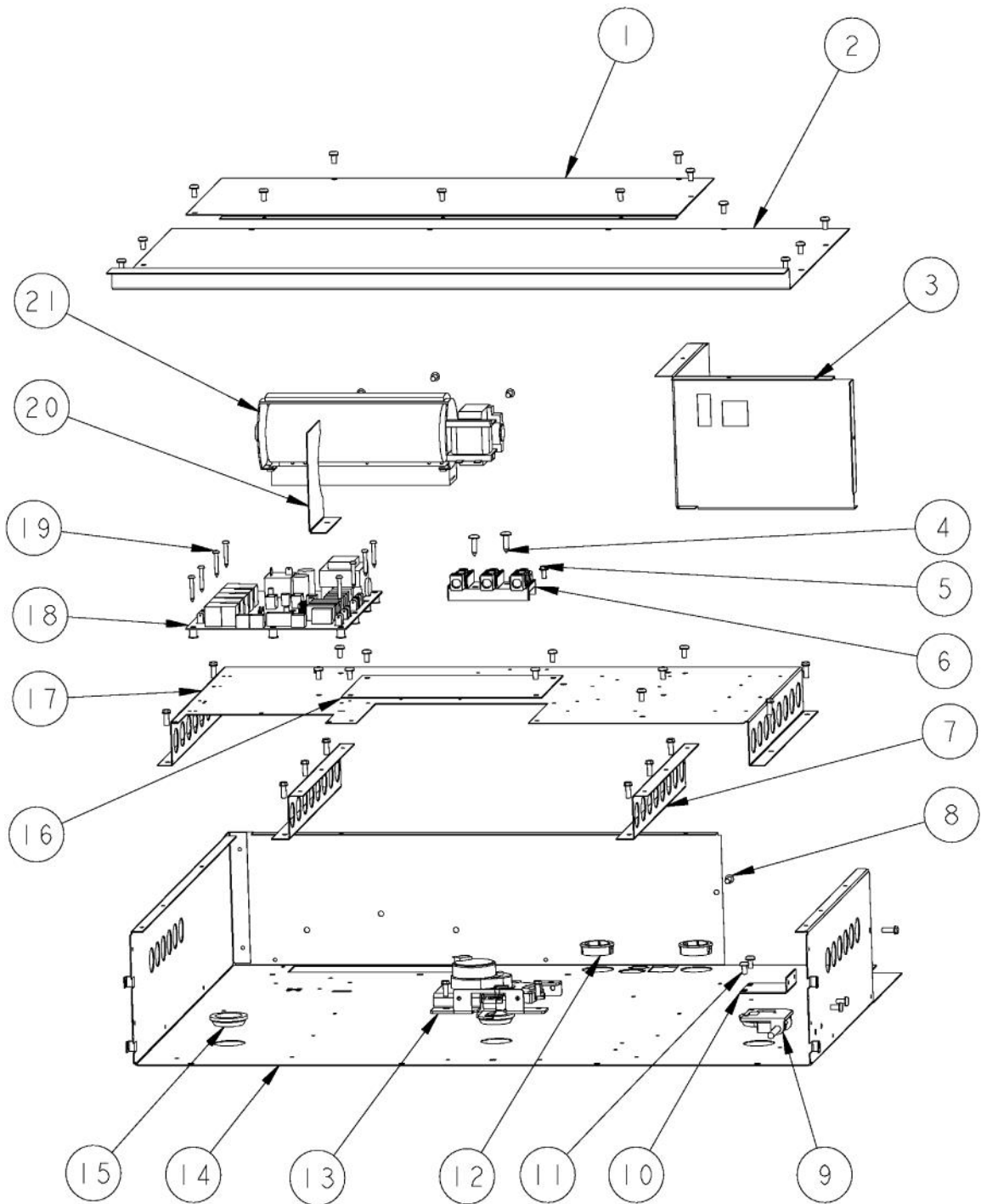
----- Manual continues below -----



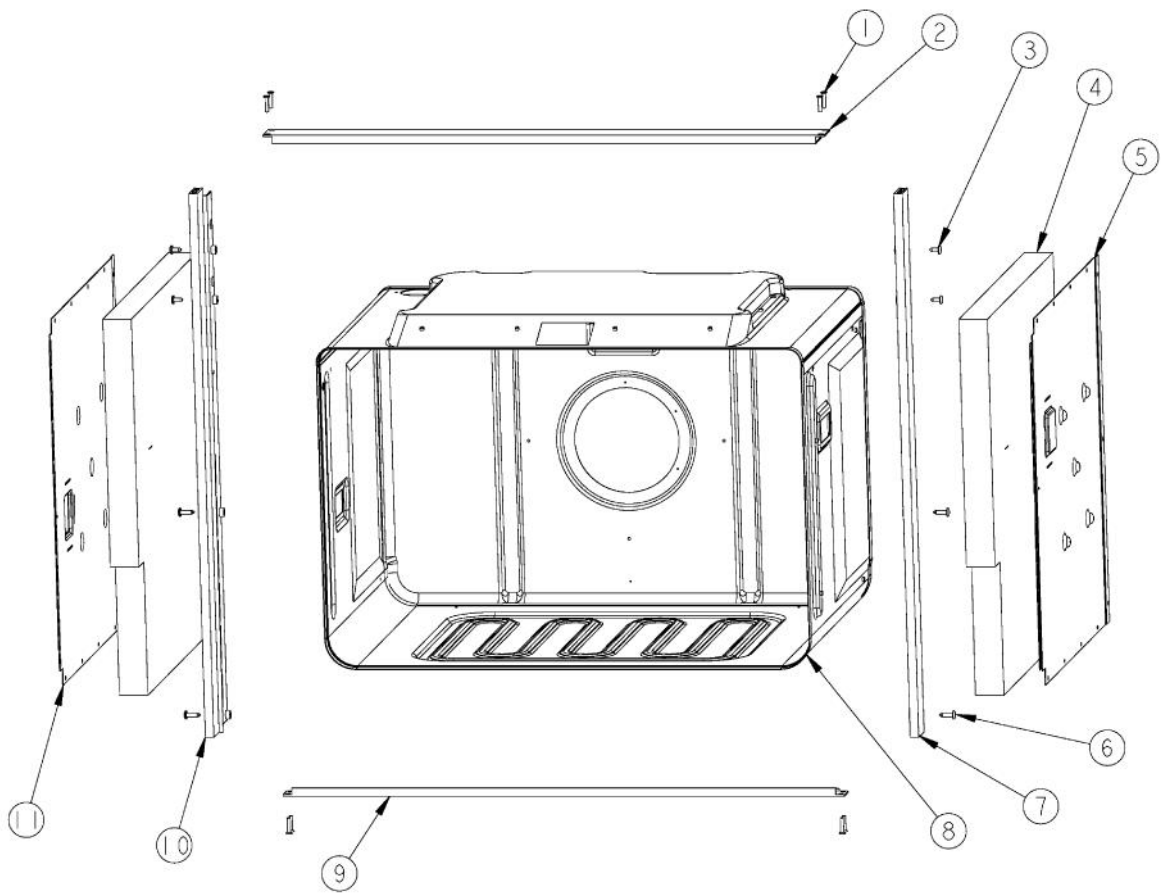
Ref #	Part Number	Qty.	Description
1	A10014028	1	2 CAPACITOR BRACKET
2	PE050247	2	EBM FAN MOTOR CAPACITOR
3	PD020004	16	10X3/8PH.HD.TYPE 25 REPL PD040125
4	002534-000	1	PRO-TOUCH CONTROL PANEL BRACKET
5	PD040164	2	5/16 INTERNAL TOOTH LOCK WASHER TYPE A
6	PD030172	2	M8 X 1.25MM NUT
7	000818-000	1	30 DOUBLE CONTROL MTG PANEL
8	C90014072BK	1	30 INLET GRILL
8	C90014072WH	1	30 INLET GRILLXWHX
9	PD040004	2	GROMMET BUMPER
10	000238-000	2	TOUCH CONTROL MTG BRACKET
11	002460-000	1	PROFESSIONAL SINGLE SELECT TOUCH CONTROL
12	000816-000	1	30 J-MOLD (CHROME)
13	002456-000	1	PROFESSIONAL CONTROL PANEL
13	002456-000	1	PROFESSIONAL CONTROL PANEL
13	002456-000	1	PROFESSIONAL CONTROL PANEL



Ref #	Part Number	Qty.	Description
1	A20014021	1	REFLECTOR, BROIL
2	A20014044	1	BROIL ELEMENT SHIELD
3	PD020055	14	NO.10 X 1/2 PAN PHIL. TEK. SS
4	PE050239	1	HALOGEN LAMP
5	PB070312	1	CONVECTION MOTOR MTG. PLATE INSULATION
6	G32014020	1	CONVECTION FAN ASSY
7	PJ010047	1	CONVECTION ELEMENT
8	PE050206	1	RTD THERMOSTAT PROBE
9	PB060103	1	RACK SUPPORT RH
10	PD020060	17	10 X 1/2 (5/16)HEX WSHR HD.(T)A
11	PJ010048	1	BAKE ELEMENT
12	A2009612	1	ELEMENT, MTG TRAY
13	PD020063	4	SCREW-NO.8(A) X 3/8PH WFR HD/BK OXID
14	E9109655	1	BAKE TRAY COVER
15	PB070309	1	BAKE ELEMENT INSULATION
16	A2009696	2	HOLDER, BAKE ELEMENT
17	PB060107	3	30 OVEN RACK
18	E91012614	2	LIGHT HOLE COVER
19	PD020232	8	NO.8 X 3/4 PH PAN HEAD TEK SCREW (BLACK OXIDE)
20	PB060104	1	RACK SUPPORT LH
21	E9107933	1	BROILER PAN
22	E9107934	1	BROILER PAN INSERT
23	G91013598	1	30 BAFFLE ASSEMBLY
24	PJ010049	1	BROIL ELEMENT
25	A2009641	2	BRKT, TOP WRAPPER
NI	020477-000	1	DIVERTER, AIR, BOT, FLAT, 30

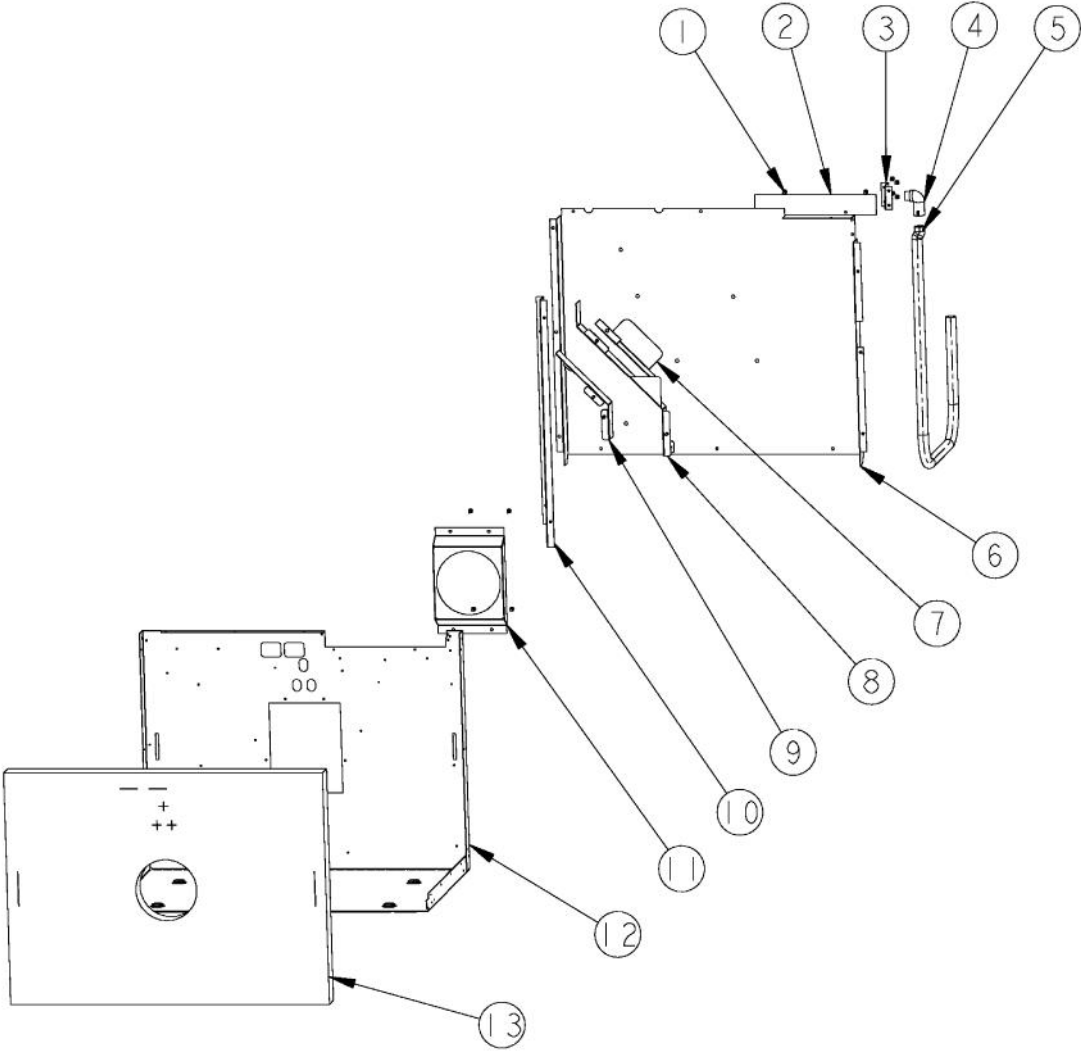


Ref #	Part Number	Qty.	Description
1	A20014049	1	30 REAR COVER
2	A20014048	1	30 FRONT COVER
3	A20010934	1	BRACKET, MODULE PAN
4	PD020014	2	10X3/4 PH TR HD SMS
5	PD020010	1	10 X 3/8 GREEN GROUNDING SCREW
6	PE070147	1	TERMINAL BLOCK
7	A20010910	2	BRACKET, SUPPORT, ELECTRONICS HAT
8	PD020060	19	10 X 1/2 (5/16)HEX WSHR HD.(T)A
9	PE050208	1	DOOR SWITCH
10	A20012649	1	DOOR SWITCH BRACKET
11	PD020004	26	10X3/8PH.HD.TYPE 25 REPL PD040125
12	PD040152	2	SNAP BUSHING
13	PE050210	1	DOOR LATCH
14	A2009643	1	MODULE PAN, TOP 30
15	PB070079	3	SILICONE EXTRUSION (DGSU)
16	A10010911	1	COVER, LATCH
17	A2009672	1	ELECTRONICS HAT
18	PE050234	2	RELAY BOARD
19	PD020185	16	NO.6 X 1 PAN HEAD SCREW
20	A2009667	1	REAR AIR DIVIDER
21	PE050228	1	PREMIUM BLOWER

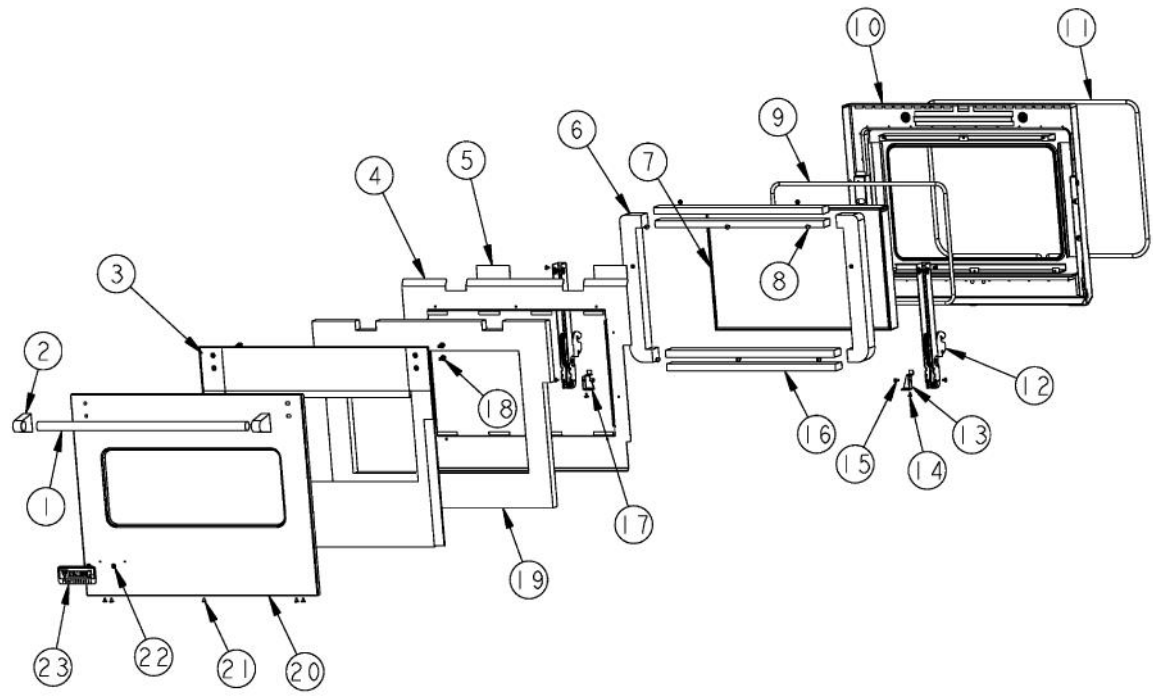




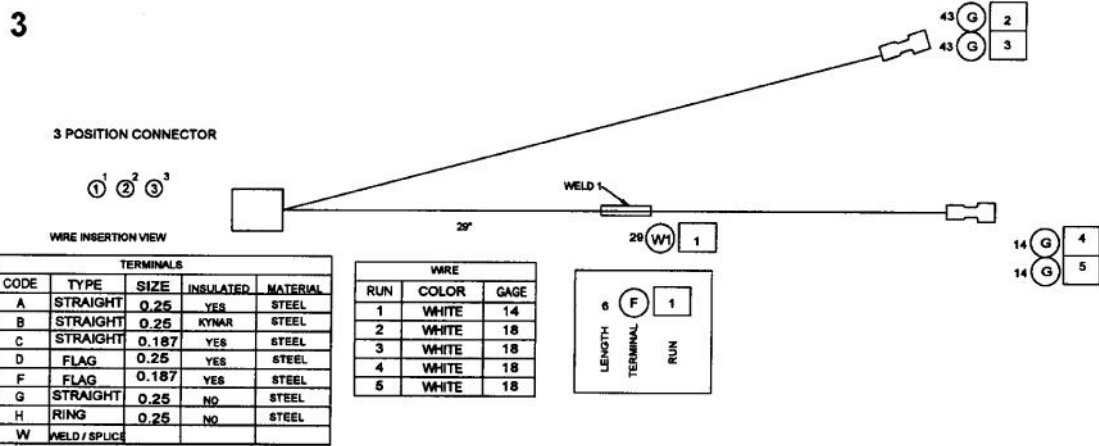
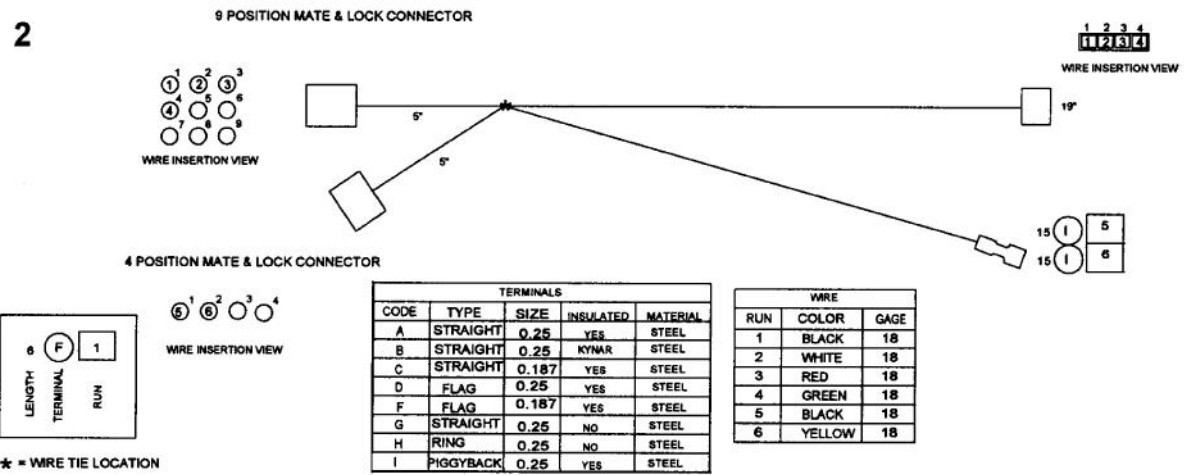
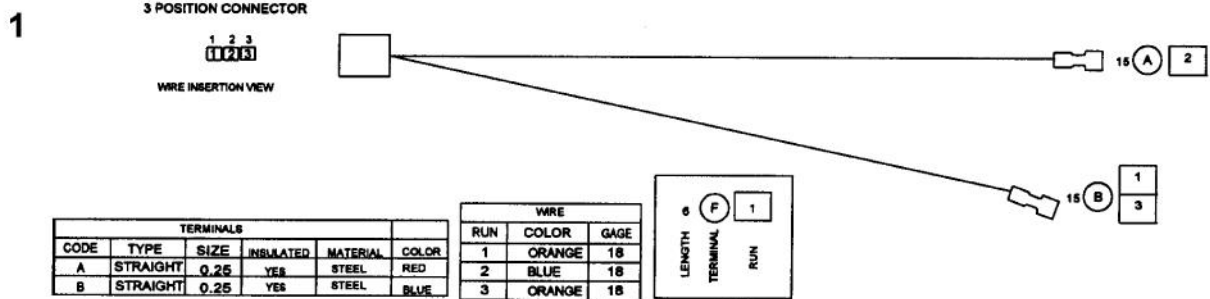
Ref #	Part Number	Qty.	Description
1	PD020170	8	NO.6-32 X 1/2 PHILLIPS C.S. TYPE F SCREW
2	PE040273	1	30 PROF. TOP TRIM
3	PD020002	4	10 X 1/2 PH.TR.HD.SMS.
4	PB070302	2	SIDE INSULATION
5	A2009622	1	BRKT, TOP WRAPPER, RIGHT
6	PD020014	4	10X3/4 PH TR HD SMS
7	PE040275	1	PROF. SINGLE SIDE TRIM RH
8	NOT REPLACEABLE	N/A	OVEN CAVITY (NOT REPLACEABLE PART)
9	PE040274	1	30 PROF. BOTTOM TRIM
10	PE040276	1	PROF. SINGLE SIDE TRIM LH
11	A20012650	2	BRKT, TOP WRAPPER LEFT



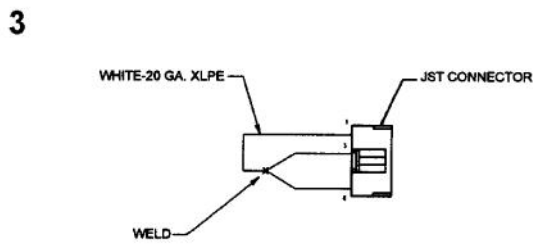
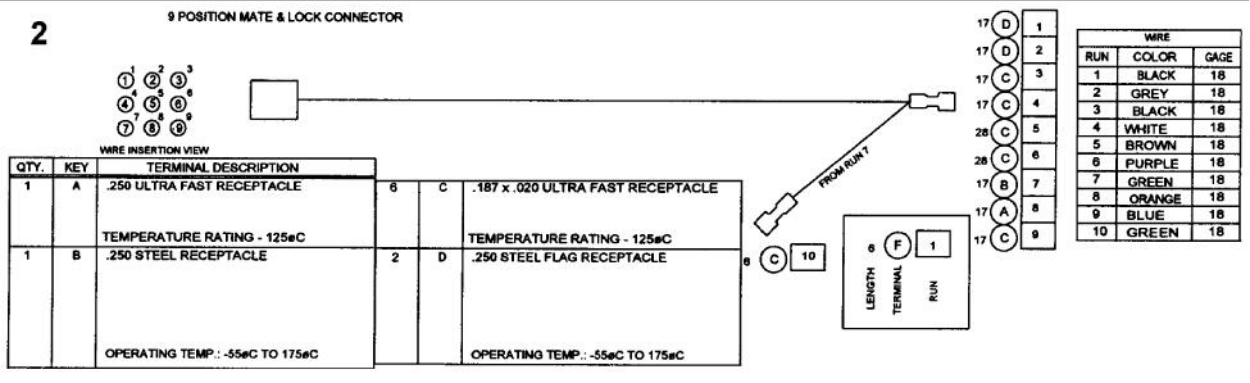
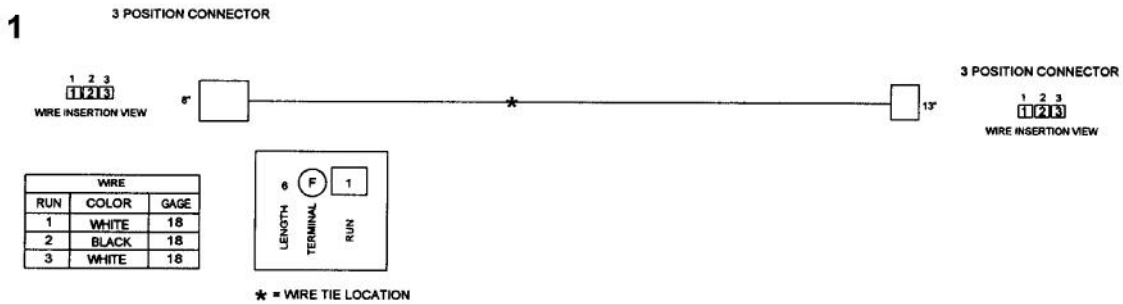
Ref #	Part Number	Qty.	Description
1	PD020060	48	10 X 1/2 (5/16)HEX WSHER HD.(T)A
2	A10010907	1	COVER, BLOWER
3	A2009671	1	BRACKET, POWER CABLE
4	PB040070	1	CONDUIT FITTING (90 DEG)
5	PB020071	1	CONDUIT - FLEXIBLE (48)
6	A2009640	1	PANEL, REAR 30
7	A20014052	1	WIRE SHIELD
8	A21010918	1	BRACKET, AIR, CONVECTION MOTOR
9	A21010919	2	BRACKET, AIR, CONVECTION MOTOR
10	A2009666	1	AIR CHANNEL
11	A2009697	1	BRACKET, CONVECTION INSULATION
12	NOT REPLACEABLE	N/A	OVEN CAVITY (NOT REPLACEABLE PART)
13	PB070304	2	30 BACK INSULATION



Ref #	Part Number	Qty.	Description
1	PE030179	1	30 PROF. DOOR HANDLE
1	PE030179PVD	1	30 PROF. DOOR HANDLE XPV DX 24.907
2	PE030001	2	BRACKET, DOOR, HANDLE
2	PE030001PVD	2	END CAP DOOR HANDLE XBR
3	001499-000	1	PRO 30` INSULATION RETAINER KIT (AFTER 7-17-06)
4	A2009632	1	PANEL, INULATION, INNER DOOR
5	PB070336	1	DOOR BRACKET INSULATION
6	PB070271	2	DOOR PLUG INSULATION
7	PE060094	1	30 WINDOW PACK
8	PD020002	8	10 X 1/2 PH.TR.HD.SMS.
9	000594-000	1	BLACK FIBERGLASS ROPE 3/8
10	G9109625	1	DOOR LINER PORC.
11	PB070246	1	30 DOOR GASKET
12	PC020220	2	SUB TO 006070-000 - DOOR HINGE MANSFIELD 30
13	A20012640	1	HINGE SUPPORT RH
14	PD020063	2	SCREW-NO.8(A) X 3/8PH WFR HD/BK OXID
15	PD020004	6	10X3/8PH.HD.TYPE 25 REPL PD040125
16	PB070269	1	30 WINDOW PACK INSULATION
17	A20012641	1	HINGE SUPPORT LH
18	PD020186	4	1/4-20 X 3/4 HEX WASHER HEAD MS
19	PB070272	1	30 DOOR INSULATION
20	PS500015BK	1	30 PRO DOOR SKIN SVC KIT W/LOGO AFTER 07/17/06 -BK
20	PS500015BKBR	1	30 PRO DOOR SKIN SVC KIT W/LOGO AFTER 07/17/06 -BK/BR
20	PS500019SS	1	30 PRO DOOR SKIN SERVICE KIT W/LOGO BEFORE 07/17/0...
20	PS500019SSBR	1	30 PRO DOOR SKIN SERVICE KIT W/LOGO BEFORE 07/17/0...
20	PS500019WH	1	30 PRO DOOR SKIN SERVICE KIT W/LOGO BEFORE 07/17/0...
20	PS500019WHBR	1	30 PRO DOOR SKIN SERVICE KIT W/LOGO BEFORE 07/17/0...
21	PD020032	5	SRW-8(A)X3/8PH.WFR HD 7/16DIAXNCL
22	PD030006	1	CAPPED WASHER PAL NUT
23	PE010016	1	NAMEPLATE, LOGO, PRO
23	PE010017	1	LOGO (VGSO,VEDO,VGDO,VUD) XWH/CHR
23	PE010079	1	4.5 LOGO/VIKING PROF, BK/BR
23	PE010080	1	4.5 LOGO/VIKING PROF XWH/BR
NI	G32012723BK	1	30 DOOR ASSY W/LOGO XBKX
NI	G32012723BKBR	1	30 DOOR ASSY W/LOGO XBKBRX
NI	G32012723SS	1	30 DOOR ASSY W/LOGO
NI	G32012723SSBR	1	30 DOOR ASSY W/LOGO XSSBRX
NI	G32012723WH	1	30 DOOR ASSY W/LOGO XWHX
NI	G32012723WHBR	1	30 DOOR ASSY W/LOGO XWHBRX
NI	017736-000	1	WINDOW PACK INSULATION KIT



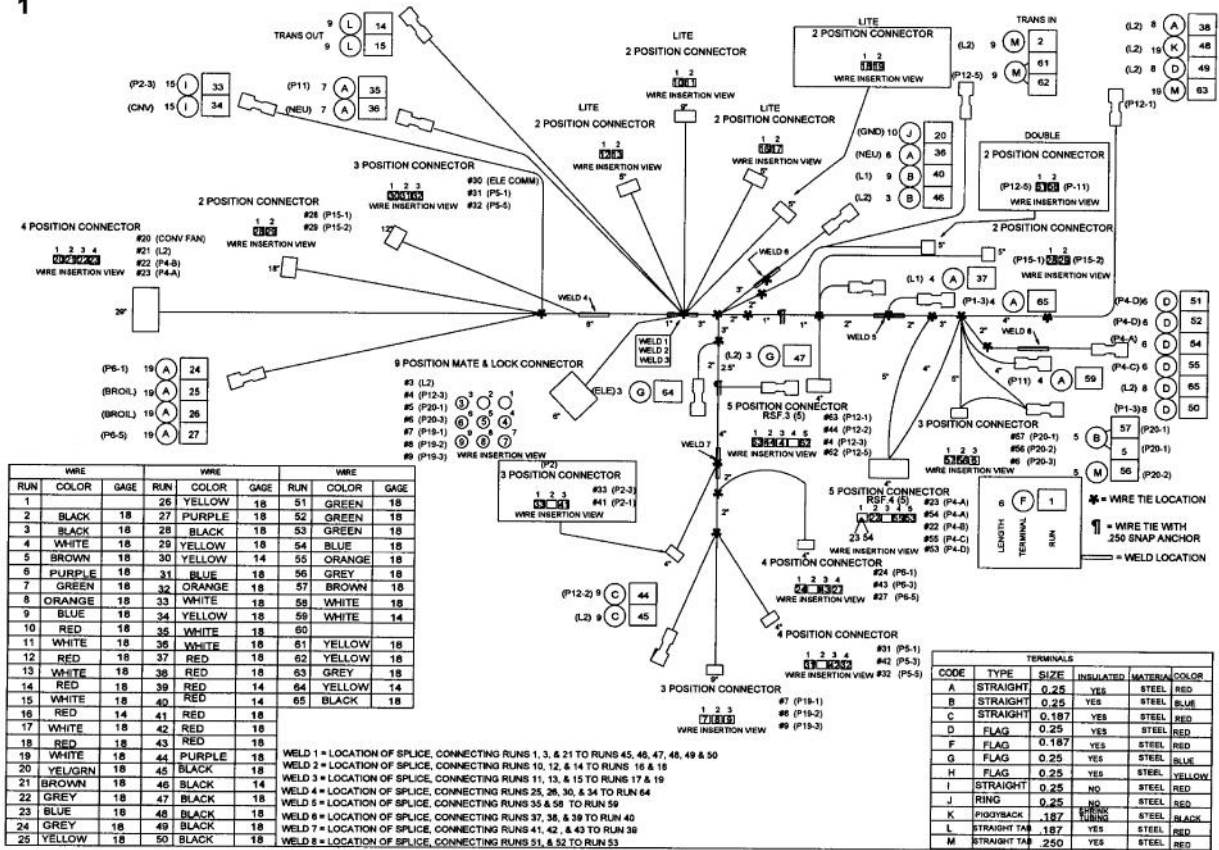
Ref #	Part Number	Qty.	Description
1	PE070743	1	SINGLE CLOCK HARNESS
2	PE070754	1	TEST HARNESS SINGLE
3	PE070739	1	BAKE ELEMENT HARNESS
NI	G4005496	1	SUPPLY WIRE - 100 BK 10GA SO/DO
NI	G4005497	1	SUPPLY WIRE - 100 GREEN 10GA SO/DO
NI	G4005499	1	SUPPLY WIRE - 100 RED 10GA SO/DO
NI	G4005494	1	SUPPLY WIRE - 75 WH 12 GA SO/DO





Ref #	Part Number	Qty.	Description
1	PE070738	1	T/STAT-SEL HARNESS
2	PE070733	1	UPPER LATCH HARNESS
3	PE070734	1	SINGLE OVEN HEADER

1



WIRE	WIRE	WIRE	WIRE	WIRE	WIRE	WIRE	WIRE	
RUN	COLOR	GAGE	RUN	COLOR	GAGE	RUN	COLOR	GAGE
1			25	YELLOW	18	51	GREEN	18
2	BLACK	18	27	PURPLE	18	52	GREEN	18
3	BLACK	18	28	BLACK	18	53	GREEN	18
4	WHITE	18	29	YELLOW	18	54	BLUE	18
5	BROWN	18	30	YELLOW	14	55	ORANGE	18
6	PURPLE	18	31	BLUE	18	56	GREY	18
7	PURPLE	18	32	ORANGE	18	57	BROWN	18
8	ORANGE	18	33	WHITE	18	58	WHITE	18
9	BLUE	18	34	YELLOW	18	59	WHITE	14
10	RED	18	35	WHITE	18	60		
11	WHITE	18	36	WHITE	18	61	YELLOW	18
12	RED	18	37	RED	18	62	YELLOW	18
13	WHITE	18	38	RED	18	63	GREY	18
14	RED	18	39	RED	14	64	YELLOW	14
15	WHITE	18	40	RED	14	65	BLACK	18
16	RED	14	41	RED	18			
17	WHITE	18	42	RED	18			
18	RED	18	43	RED	18			
19	WHITE	18	44	PURPLE	18			
20	YELLOW	18	45	BLACK	18			
21	BROWN	18	46	BLACK	14			
22	GREY	18	47	BLACK	18			
23	BLUE	18	48	BLACK	18			
24	GREY	18	49	BLACK	18			
25	YELLOW	18	50	BLACK	18			

WELD 1 = LOCATION OF SPLICE, CONNECTING RUNS 1, 3, & 21 TO RUNS 45, 46, 47, 48, 49 & 50  
WELD 2 = LOCATION OF SPLICE, CONNECTING RUNS 11, 13, & 14 TO RUNS 16 & 18  
WELD 3 = LOCATION OF SPLICE, CONNECTING RUNS 25, 26, 30, & 34 TO RUN 64  
WELD 4 = LOCATION OF SPLICE, CONNECTING RUNS 25, 26, 30, & 34 TO RUN 64  
WELD 5 = LOCATION OF SPLICE, CONNECTING RUNS 35 & 58 TO RUN 59  
WELD 6 = LOCATION OF SPLICE, CONNECTING RUNS 37, 38, & 39 TO RUN 40  
WELD 7 = LOCATION OF SPLICE, CONNECTING RUNS 41, 42, & 43 TO RUN 38  
WELD 8 = LOCATION OF SPLICE, CONNECTING RUNS 51, & 52 TO RUN 53

Ref #	Part Number	Qty.	Description
1	PE070742	1	UPPER CONTROL HARNESS