

This Owner's Manual is provided and hosted by [Appliance Factory Parts](#).



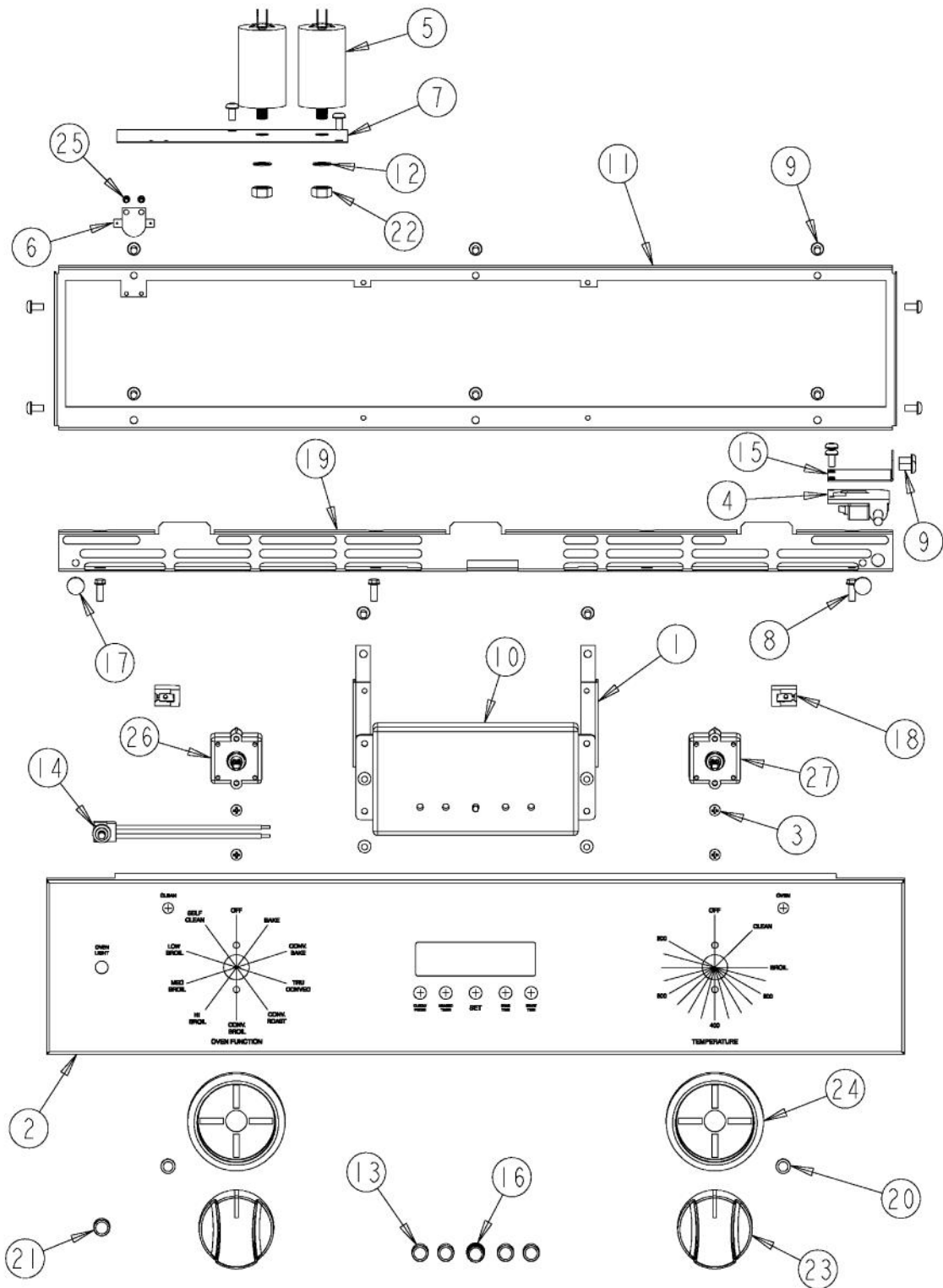
VIKING VESO527 Owner's Manual

[Shop genuine replacement parts for VIKING VESO527](#)

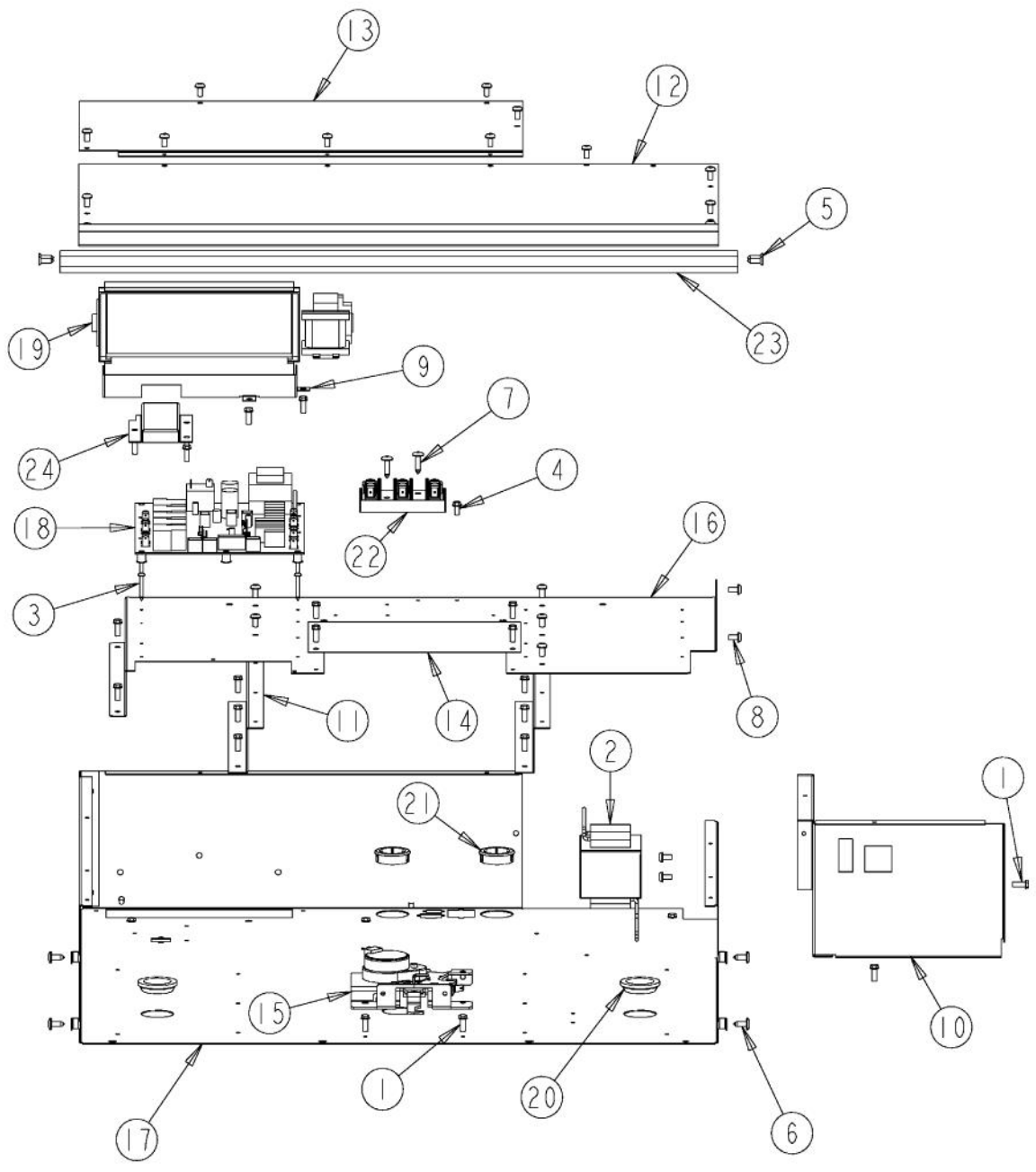


[Find Your VIKING Oven Parts - Select From 98 Models](#)

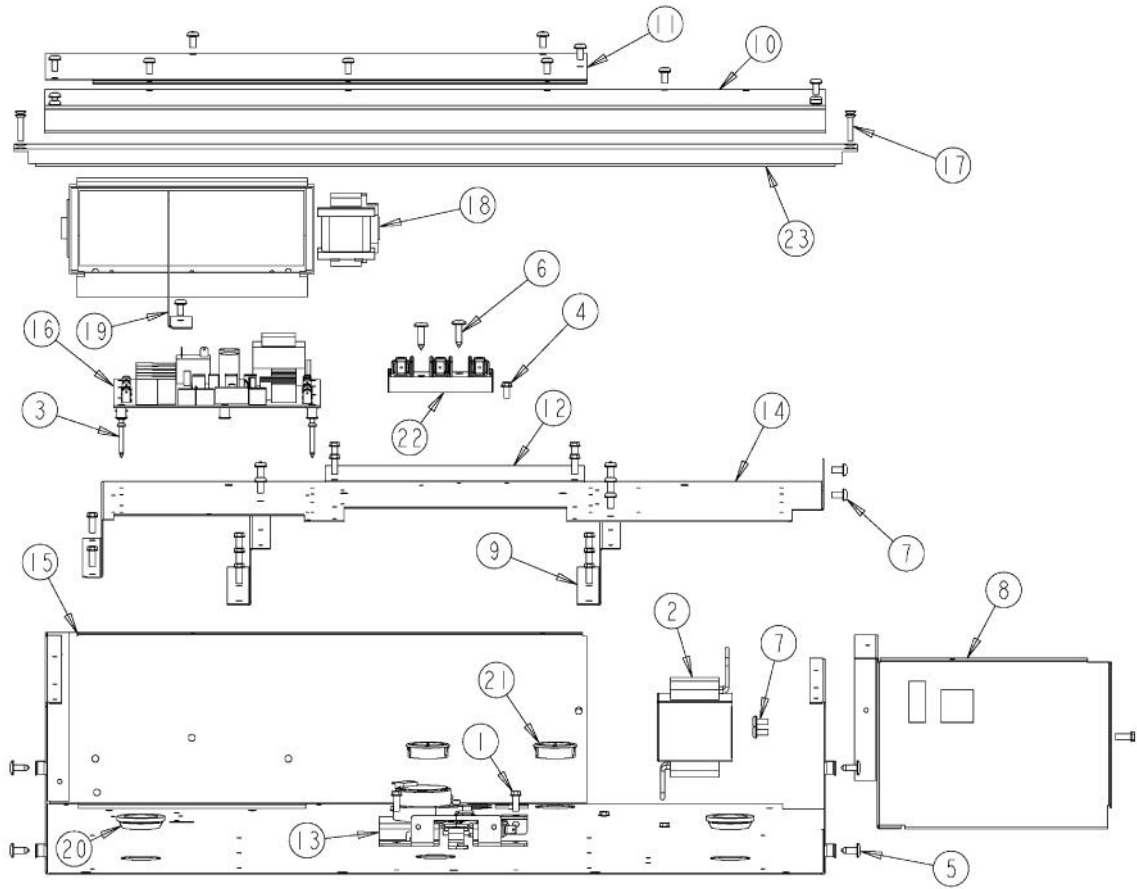
----- Manual continues below -----



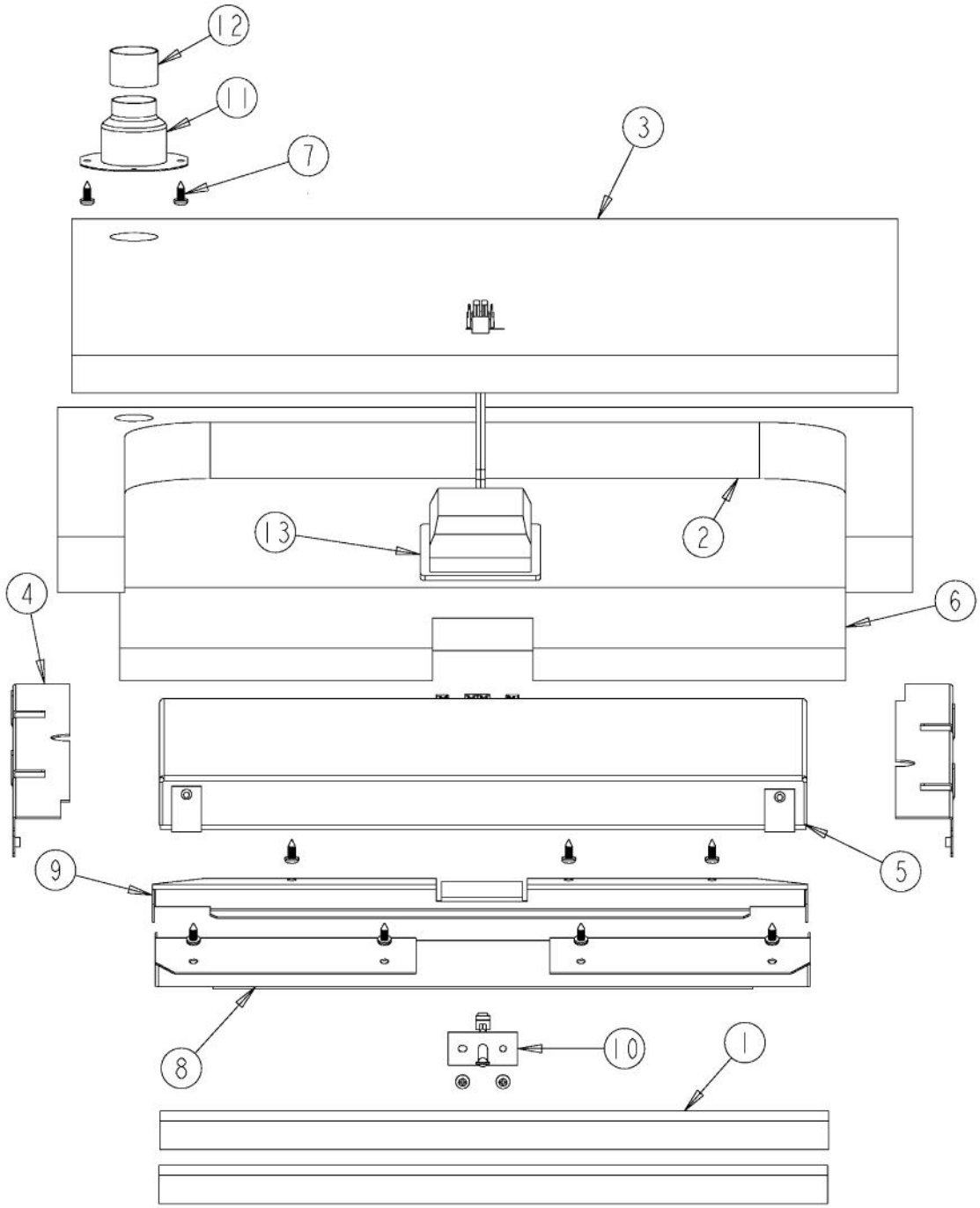
Ref #	Part Number	Qty.	Description
1	A20014063		CLOCK BRACKET
2	B92014065		27 SNGLE PROF. PREMIERE CONTROL PNL
	C92014065BK		27 SNGLE PROF. PREMIERE CONTROL PNL XBKX
	C92014065WH		CONTROL PANEL - WH (AFTER 06/12/06 C-0098)
3	PD020261		NO.8-32X1/2 PH PANHEAD MACH. SCREW
4	PE050208		DOOR SWITCH
5	PE050247		EBM FAN MOTOR CAPACITOR
6	G50015481		PRO HI-LIMIT SERVICE KIT (BEFORE 07-17-06)
	PJ030043		BI-METAL THERMOSTAT (N.C.) 180 DEGREES (AFTER 07-17-06)
7	A10014028		2 CAPACITOR BRACKET
8	PD020060		10 X 1/2 (5/16)HEX WSHR HD.(T)A
9	PD020004		10X3/8PH.HD.TYPE 25 REPL PD040125
10	PE050214		CLOCK (DIGITAL 230V 50/60HZ)
11	A20014061		27 CONTROL MTG PANEL
12	PD040164		5/16 INTERNAL TOOTH LOCK WASHER TYPE A
13	PB010306		PROF. CLOCK BUTTON
	PB010310		PROF. CLOCK BUTTON XWHX
14	PE050076		DESIGNER OVEN LIGHT SWITCH
15	A20012649		DOOR SWITCH BRACKET
16	PB010307		PROF. CLOCK KNOB
	PB010311		PROF. CLOCK KNOB XWHX
17	PD040004		GROMMET BUMPER
18	PE050072		LENS OPENING (250 VOLT)
19	C90014073BK		27 INLET GRILL
20	PE050023		OVEN IND. LIGHT (LENS & BEZEL)
21	PB010308		PROF. OVEN LIGHT BUTTON
	PB010312		PROF. OVEN LIGHT BUTTON XWHX
22	PD030172		M8 X 1.25MM NUT
23	PB010305		PROF. SELECTOR/THERMOSTAT KNOB
	PB010309		PROF. SELECTOR/THERMOSTAT KNOB XWHX
24	PB010304		KNOB BEZEL
	PB010304PVD		RESTYLE KNOB BEZEL, BR
25	PD020013		TYPE AB NO.6 X 3/8 PH PAN HD. SMS
26	PJ030033		SELECTOR (10 POS)
27	PJ030035		THERMOSTAT



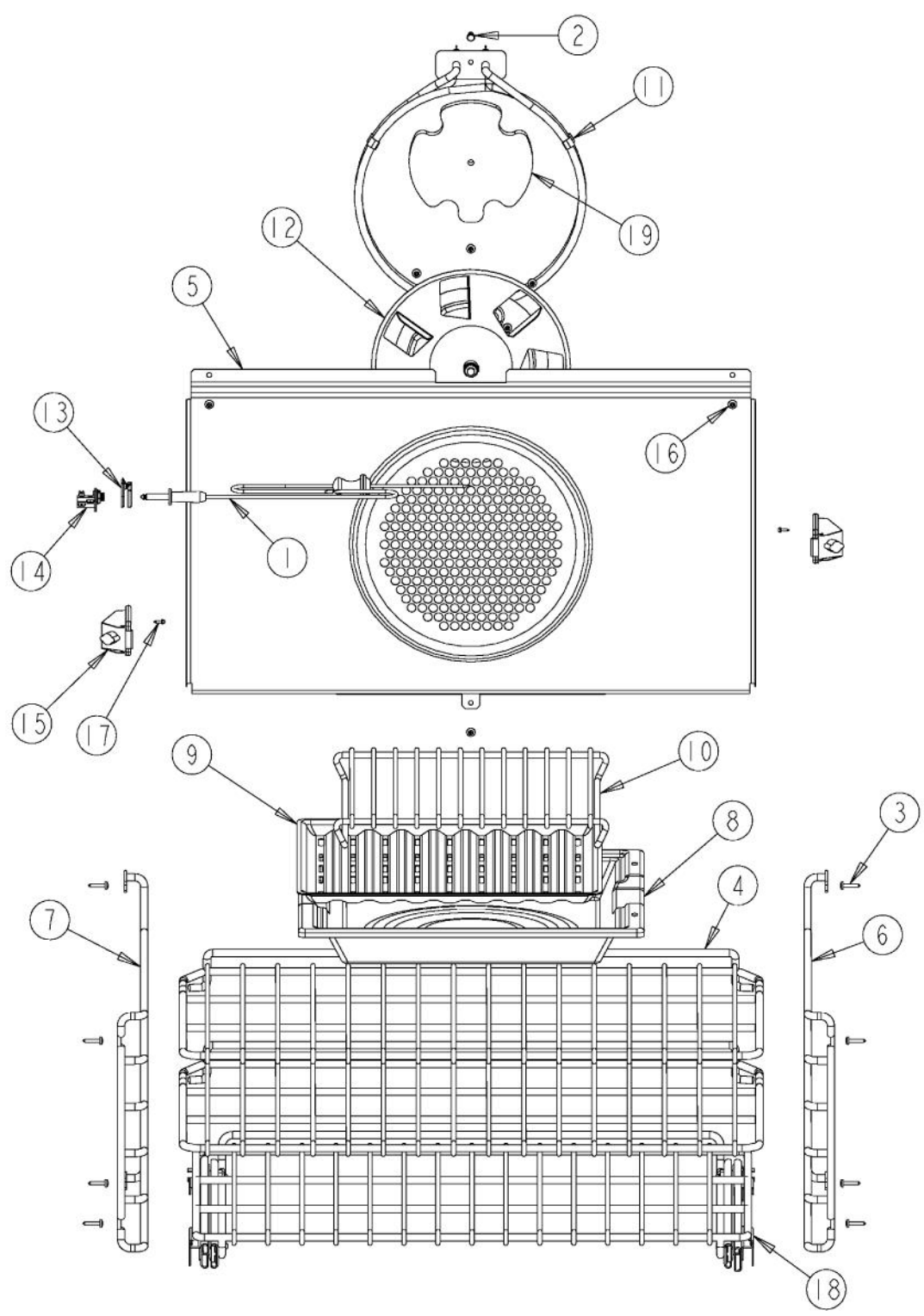
Ref #	Part Number	Qty.	Description
1	PD020060		10 X 1/2 (5/16)HEX WSHER HD.(T)A
2	PE070634		HALOGEN LIGHT TRANSFORMER
3	PD020185		NO.6 X 1 PAN HEAD SCREW
4	PD020010		10 X 3/8 GREEN GROUNDING SCREW
5	PD020231		NO.8 X 1/2 PH FLAT HEAD TEK SCREW (BLACK OXIDE)
6	PD020002		10 X 1/2 PH.TR.HD.SMS.
7	PD020014		10X3/4 PH TR HD SMS
8	PD020004		10X3/8PH.HD.TYPE 25 REPL PD040125
9	A20014035		27 BLOWER BRACKET
10	A20010934		BRACKET, MODULE PAN
11	A20010910		BRACKET, SUPPORT, ELECTRONICS HAT
12	A20014046		27 FRONT COVER
13	A20014047		27 REAR COVER
14	A10010911		COVER, LATCH
15	PE050210		DOOR LATCH
16	A20010935		ELECTRONICS HAT
17	A20010933		MODULE PAN 27
18	PE070631		CONTROL BOARD
19	PE050228		PREMIUM BLOWER
20	PB070079		SILICONE EXTRUSION (DGSU)
21	PD040152		SNAP BUSHING
22	PE070147		TERMINAL BLOCK
23	PE040271		27 PROF. TOP TRIM
24	A20014033		UPPER VENT COVER



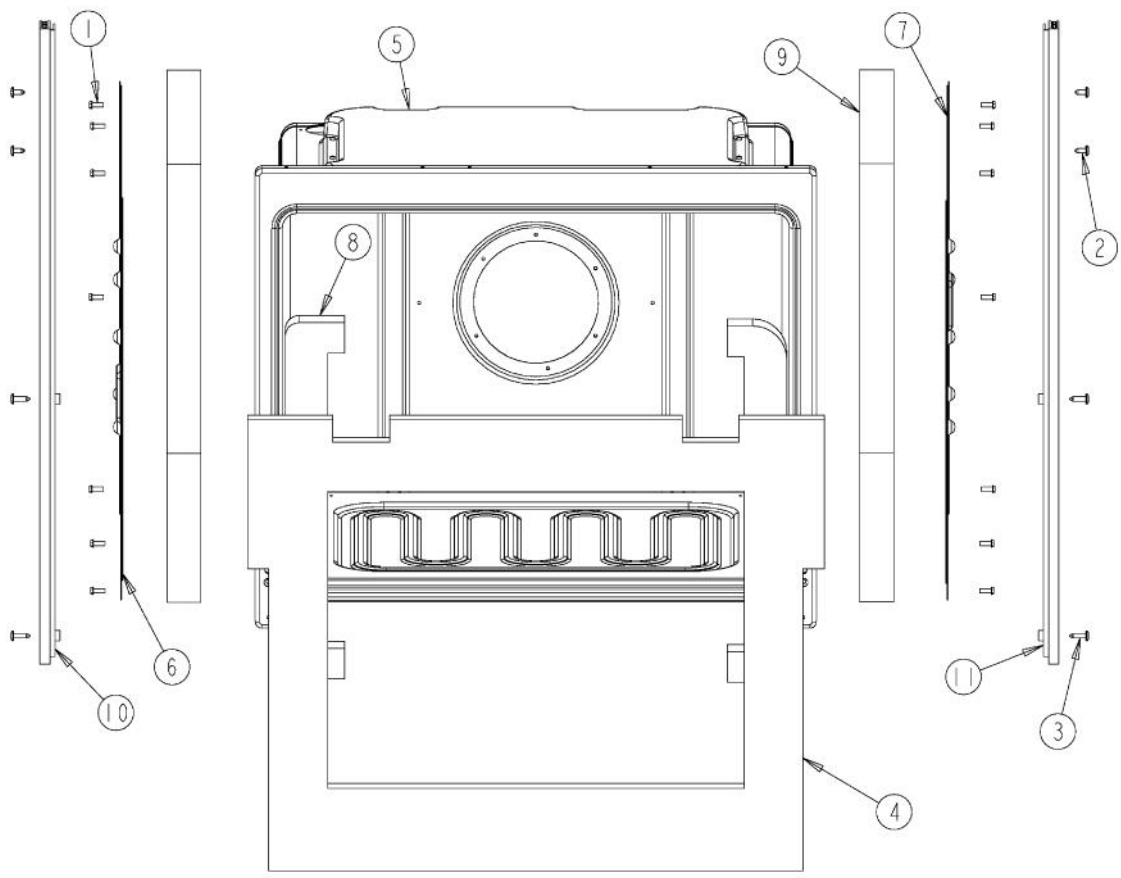
Ref #	Part Number	Qty.	Description
1	PD020060		10 X 1/2 (5/16)HEX WSHER HD.(T)A
2	PE070634		HALOGEN LIGHT TRANSFORMER (USED ONLY ON UNITS BEFORE SERIAL NO. C-0396)
3	PD020185		NO.6 X 1 PAN HEAD SCREW
4	PD020010		10 X 3/8 GREEN GROUNDING SCREW
5	PD020002		10 X 1/2 PH.TR.HD.SMS.
6	PD020014		10X3/4 PH TR HD SMS
7	PD020004		10X3/8PH.HD.TYPE 25 REPL PD040125
8	A20010934		BRACKET, MODULE PAN
9	A20010910		BRACKET, SUPPORT, ELECTRONICS HAT
10	A20014046		27 FRONT COVER
11	A20014047		27 REAR COVER
12	A10010911		COVER, LATCH
13	PE050210		DOOR LATCH
14	A20010935		ELECTRONICS HAT
15	A20010933		MODULE PAN 27
16	PE070631		CONTROL BOARD
17	PD020170		NO.6-32 X 1/2 PHILLIPS C.S. TYPE F SCREW
18	PE050250		PREMIUM BLOWER WITH HES BEFORE 2/4/2013
18	018607-000		FAN,BLO, 220-240V 50/60HZ ASSY AFTER 2/4/2013
19	A2009667		REAR AIR DIVIDER
20	PB070079		SILICONE EXTRUSION (DGSU)
21	PD040152		SNAP BUSHING
22	PE070147		TERMINAL BLOCK
23	PE040271		27 PROF. TOP TRIM



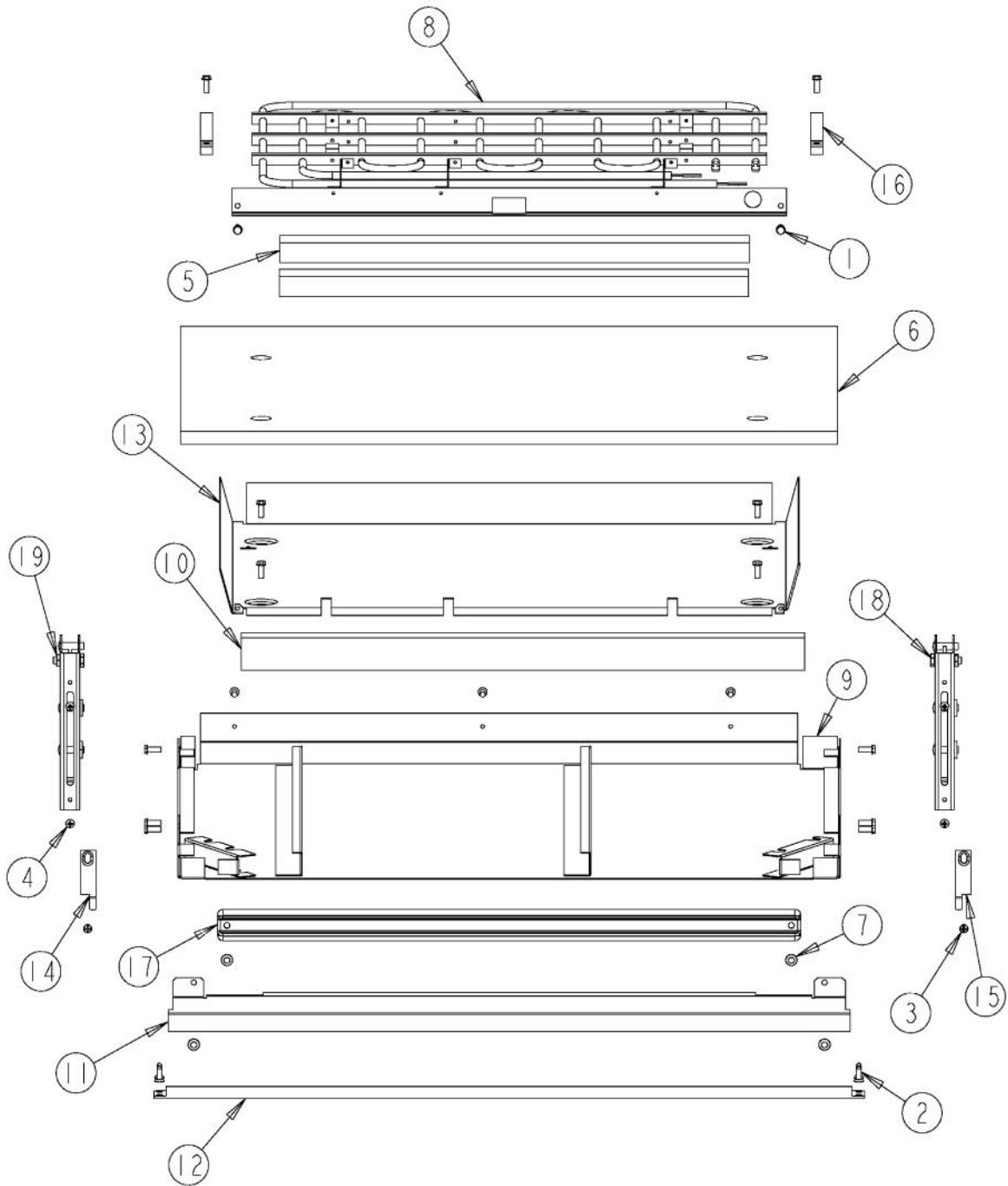
Ref #	Part Number	Qty.	Description
1	PB070273		27 WINDOW PACK INSULATION
2	PB070306		27 TOP BROIL INSULATION
3	PB070307		27 TOP INSULATION
4	A2009641		BRKT, TOP WRAPPER
5	PJ010050		SEALED BROIL ELEMENT W/GLASS
6	PB070337		LINER FRONT INSULATION
7	PD020055		NO.10 X 1/2 PAN PHIL. TEK. SS
8	B20014050		PREMIERE BROIL ELEMENT BRACKET FRONT
9	B20014051		PREMIERE BROIL ELEMENT BRACKET REAR
10	PE050206		RTD THERMOSTAT PROBE
11	PM010014		SMOKE ELIMINATOR (VDSC)
12	PB020275		VENT TUBE
13	PE050205		TOP HALOGEN LIGHT (BEFORE C-0396)
	PE050239		HALOGEN LAMP (AFTER C-0396)



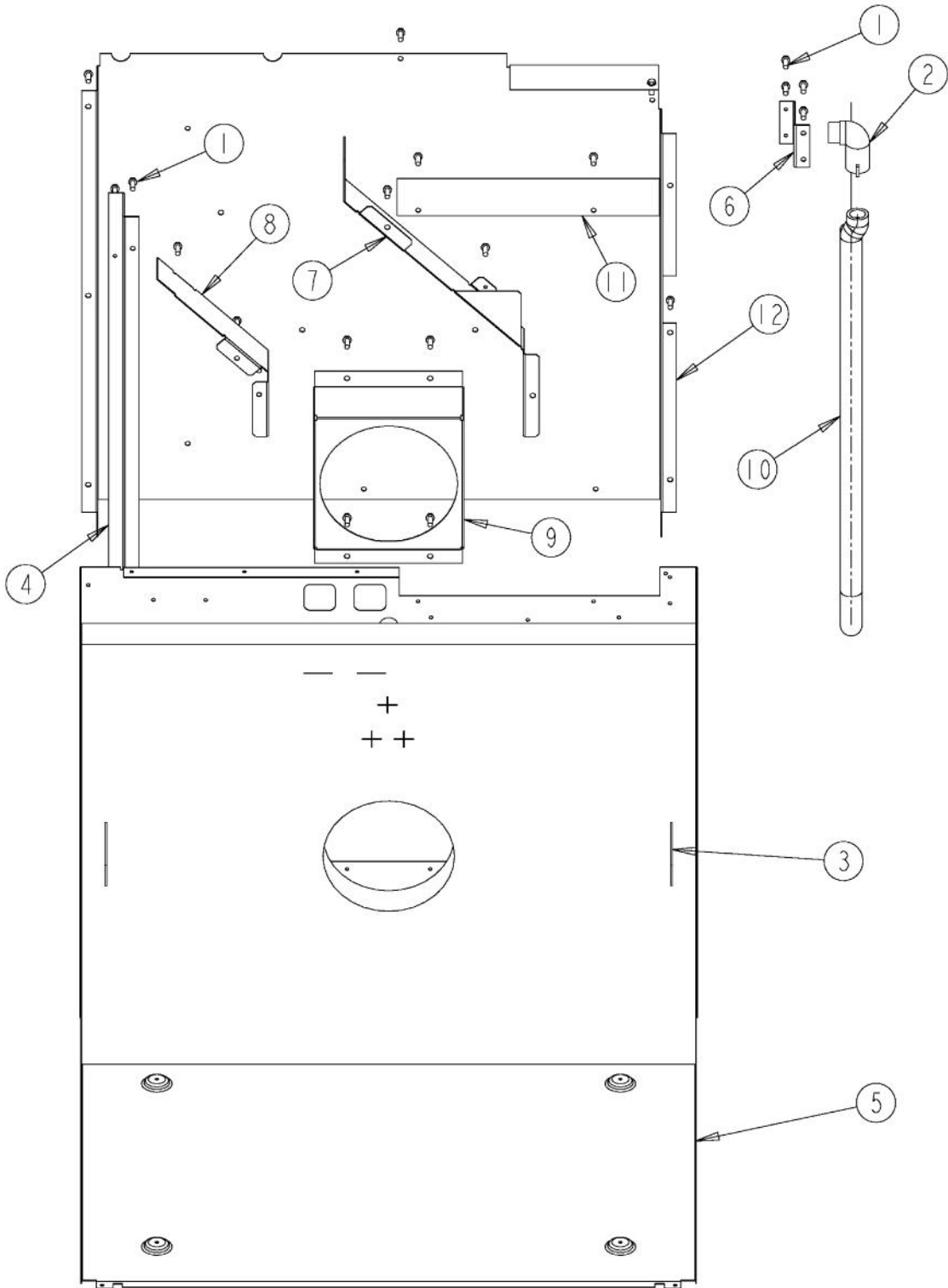
Ref #	Part Number	Qty.	Description
1	PE050114		MEAT PROBE (DESO/DEDO) (SWITCHCRAFT'S PART NO. 4...
2	PD020060		10 X 1/2 (5/16)HEX WSHR HD.(T)A
3	PD020232		NO.8 X 3/4 PH PAN HEAD TEK SCREW (BLACK OXIDE)
4	PB060105		27 OVEN RACK
5	G91013597		27 BAFFLE ASSEMBLY
6	PB060103		RACK SUPPORT RH
7	PB060104		RACK SUPPORT LH
8	E9107933		BROILER PAN
9	E9107934		BROILER PAN INSERT
10	PB080020		BROILER PAN RACK
11	PJ010047		CONVECTION ELEMENT
12	G32014020		CONVECTION FAN ASSY
13	PM010160		MEAT PROBE JACK COVER
14	PE050115		MEAT PROBE JACK
15	PE050056		OVEN LIGHT ASSY 12V/5W (BEFORE SERIAL NO. C-0396)
	PE050238		120 VOLT SIDE HALOGEN LIGHT (AFTER SERIAL NO. C-0396)
16	PD020055		NO.10 X 1/2 PAN PHIL. TEK. SS
17	PD020013		TYPE AB NO.6 X 3/8 PH PAN HD. SMS
18	PB060106		27 SLIDING OVEN RACK
19	PB070312		CONVECTION MOTOR MTG. PLATE INSULATION



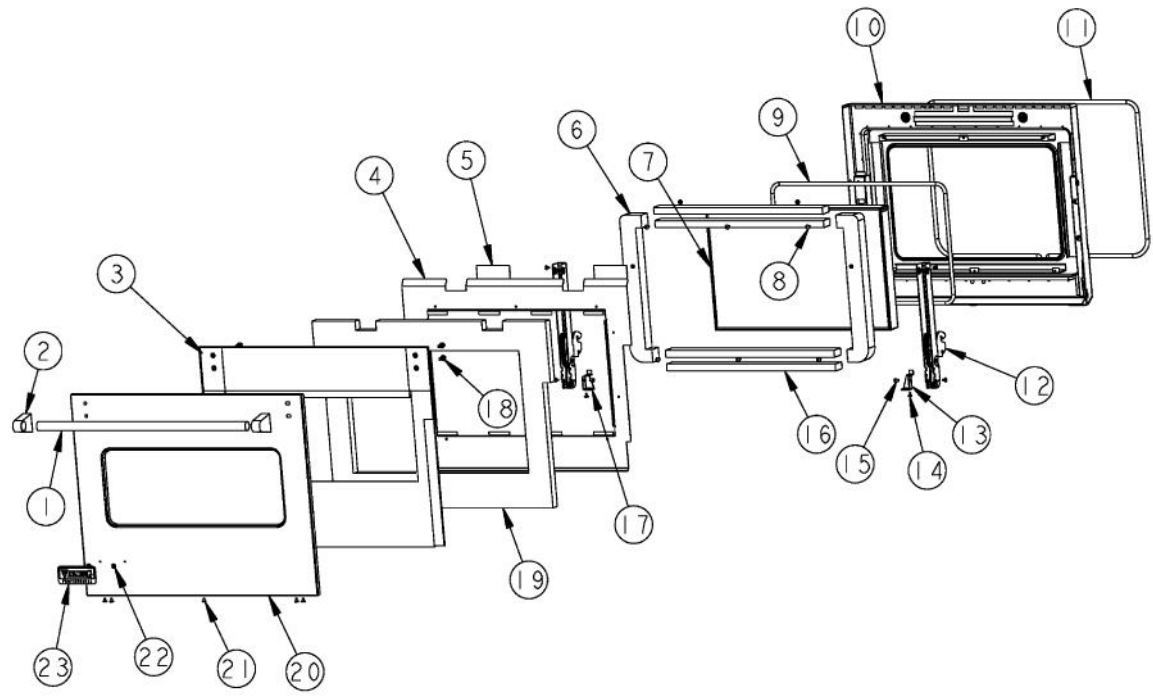
Ref #	Part Number	Qty.	Description
1	PD020060		10 X 1/2 (5/16)HEX WSHER HD.(T)A
2	PD020002		10 X 1/2 PH.TR.HD.SMS.
3	PD020014		10X3/4 PH TR HD SMS
4	PB070276		27 DOOR INSULATION
5	G91014042		27 PREMIERE CAVITY ASSY
6	A20012650		BRKT, TOP WRAPPER LEFT
7	A2009622		BRKT, TOP WRAPPER, RIGHT
8	PB070271		DOOR PLUG INSULATION
9	PB070302		SIDE INSULATION
10	PE040276		PROF. SINGLE SIDE TRIM LH
11	PE040275		PROF. SINGLE SIDE TRIM RH



Ref #	Part Number	Qty.	Description
1	PD020060		10 X 1/2 (5/16)HEX WSHR HD.(T)A
2	PD020045		NO.8 X 1/2 PH FLAT TEK (ZINC)
3	PD020061		NO.8 X 3/4 FLAT HD TEK. SS.
4	PD020062		NO.8-32 X 3/8 PHMS TYPE 1
5	PB070273		27 WINDOW PACK INSULATION
6	PB070300		27 BOTTOM INSULATION
7	PD020063		SCREW-NO.8(A) X 3/8PH WFR HD/BK OXID
8	PJ010048		BAKE ELEMENT
9	G30010922		BASE MODULE ASSY 27
10	PB070309		BAKE ELEMENT INSULATION
11	C90010956BK		BOTTOM AIR DEFLECTOR 27
12	PE040272		27 PROF. BOTTOM TRIM
13	A20010932		ELEMENT, MTG TRAY
14	B21010916		HINGE CLIP ? LH
15	B21010915		HINGE CLIP ? RH
16	A2009696		HOLDER, BAKE ELEMENT
17	E2109655		COVER, BAKE TRAY
18	PC020221		HINGE POCKET RECEIVER MANSFIELD RH
19	PC020247		HINGE POCKET RECEIVER MANSFIELD LH

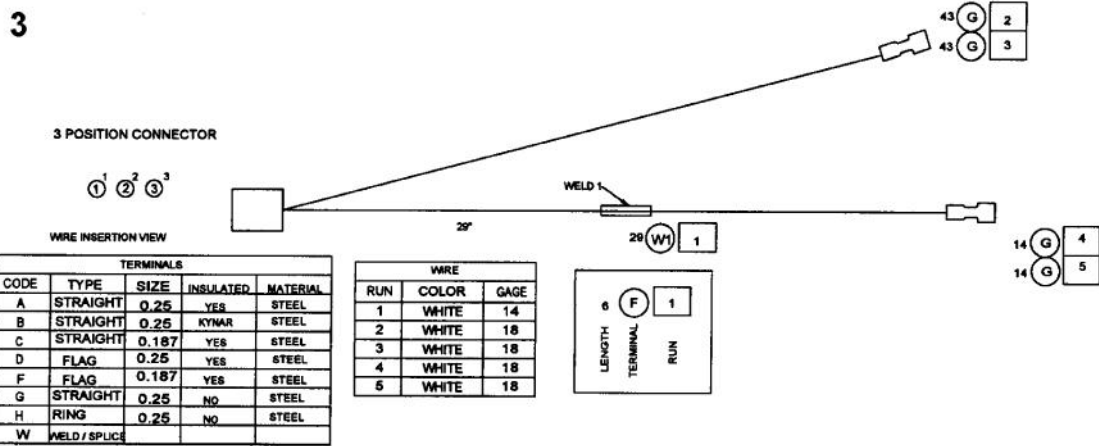
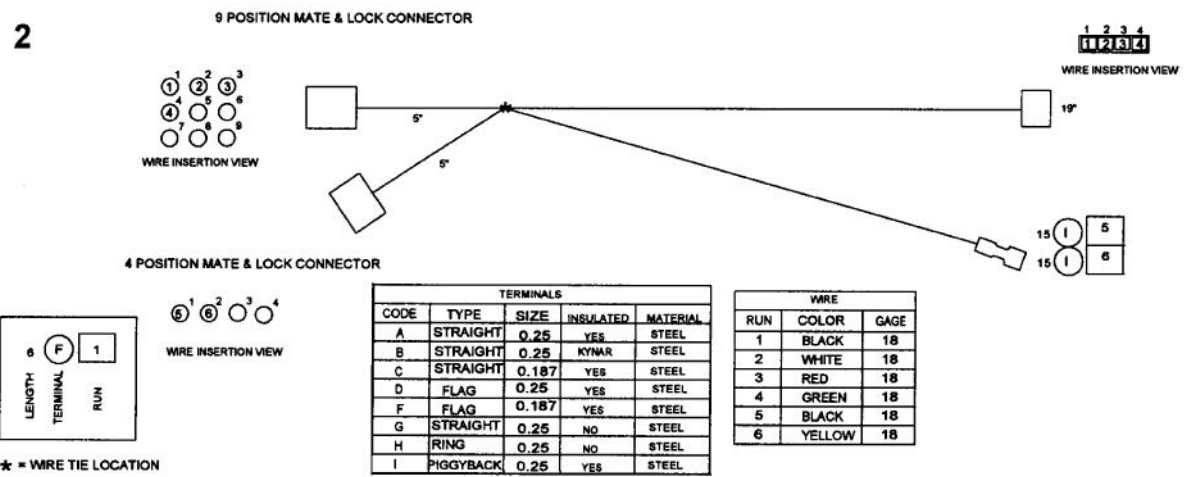
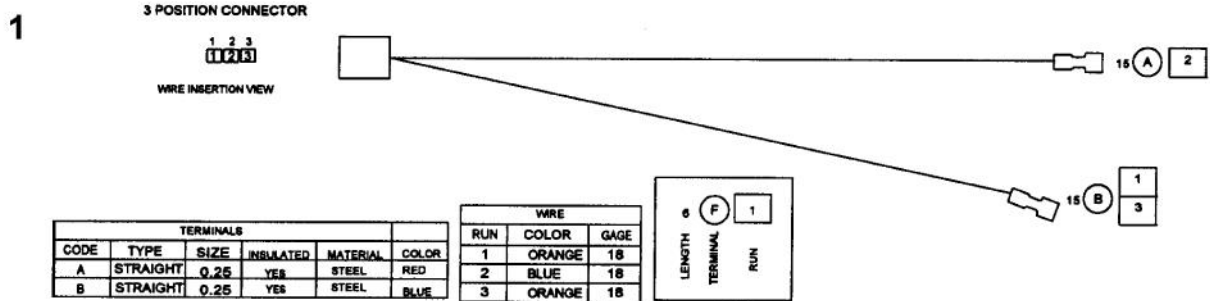


Ref #	Part Number	Qty.	Description
1	PD020060		10 X 1/2 (5/16)HEX WSHER HD.(T)A
2	PB040070		CONDUIT FITTING (90 DEG)
3	PB070301		27 BACK INSULATION
4	A2009666		AIR CHANNEL
5	A20010931		BASE, BACK WRAPPER, 27
6	A2009671		BRACKET, POWER CABLE
7	A21010918		BRACKET, AIR, CONVECTION MOTOR
8	A21010919		BRACKET, AIR, CONVECTION MOTOR
9	A2009697		BRACKET, CONVECTION INSULATION
10	PB020071		CONDUIT - FLEXIBLE (48)
11	A10010907		COVER, BLOWER
12	A20010937		PANEL, REAR 27



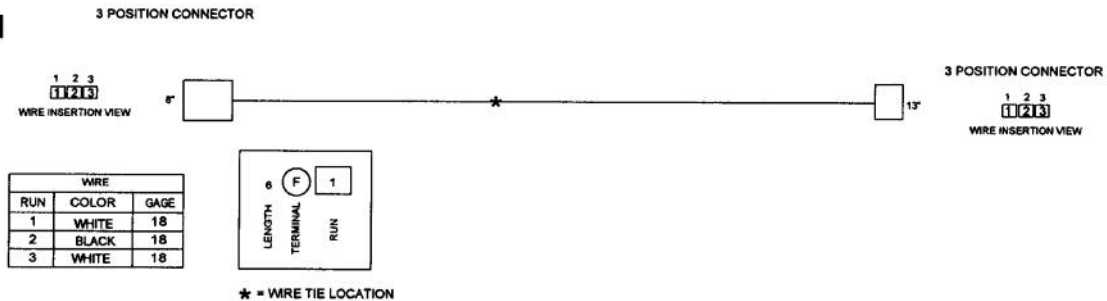
Ref #	Part Number	Qty.	Description
1	PE030178		27 PROF. DOOR HANDLE
	PE030178PVD		27 PROF. DOOR HANDLE XPVDX
2	PE030001		BRACKET, DOOR, HANDLE
	PE030001PVD		END CAP DOOR HANDLE XBR
3	001501-000		PRO 27` INSULATION RETAINER KIT (AFTER 7-17-06)
	001503-000		PRO 27 INSULATION RETAINER (BEFORE 7/17/06)
4	A20010949		PANEL, INSULATION, INNNER DOOR
5	PB070336		DOOR BRACKET INSULATION
6	PB070271		DOOR PLUG INSULATION
7	PE060093		27 WINDOW PACK
8	PD020002		10 X 1/2 PH.TR.HD.SMS.
9	000594-000		BLACK FIBERGLASS ROPE 3/8
10	G91010942		DOOR LINER ASSEMBLY
11	PB070245		27 DOOR GASKET
12	PC020248		DOOR HINGE
13	A20012640		HINGE SUPPORT RH
14	PD020063		SCREW-NO.8(A) X 3/8PH WFR HD/BK OXID
15	PD020004		10X3/8PH.HD.TYPE 25 REPL PD040125
16	PB070273		27 WINDOW PACK INSULATION
17	A20012641		HINGE SUPPORT LH
18	PD020186		1/4-20 X 3/4 HEX WASHER HEAD MS
19	PB020276		TUBE DRAIN 3/8 X 46 AR 36 30
20	PS500014AL		27 PRO DOOR SKIN SERVICE KIT W/LOGO AFTER 07/17/06 -...
	PS500014ALBR		27 PRO DOOR SKIN SERVICE KIT W/LOGO AFTER 07/17/06 -...
	PS500014BK		27 PRO DOOR SKIN SERVICE KIT W/LOGO AFTER 07/17/06 -...
	PS500014BKBR		27 PRO DOOR SKIN SERVICE KIT W/LOGO AFTER 07/17/06 -...
	PS500014BT		27 PRO DOOR SKIN SERVICE KIT W/LOGO AFTER 07/17/06 -...
	PS500014BTBR		27 PRO DOOR SKIN SERVICE KIT W/LOGO AFTER 07/17/06 -...
	PS500014BU		27 PRO DOOR SKIN SERVICE KIT W/LOGO AFTER 07/17/06 -...
	PS500014BUBR		27 PRO DOOR SKIN SERVICE KIT W/LOGO AFTER 07/17/06-...
	PS500014CB		27 PRO DOOR SKIN SERVICE KIT W/LOGO AFTER 07/17/06 -...
	PS500014CBBR		27 PRO DOOR SKIN SERVICE KIT W/LOGO AFTER 07/17/06-...
	PS500014EP		27 PRO DOOR SKIN SERVICE KIT W/LOGO AFTER 07/17/06 -...
	PS500014EPBR		27 PRO DOOR SKIN SERVICE KIT W/LOGO AFTER 07/17/06-...
	PS500014FG		27 PRO DOOR SKIN SERVICE KIT W/LOGO AFTER 07/17/06 -...
	PS500014FGBR		27 PRO DOOR SKIN SERVICE KIT W/LOGO AFTER 07/17/06-...
	PS500014GG		27 PRO DOOR SKIN SERVICE KIT W/LOGO AFTER 07/17/06 -...
	PS500014GGBR		27 PRO DOOR SKIN SERVICE KIT W/LOGO AFTER 07/17/06-...
	PS500014LE		27 PRO DOOR SKIN SERVICE KIT W/LOGO AFTER 07/17/06 -...
	PS500014LEBR		27 PRO DOOR SKIN SERVICE KIT W/LOGO AFTER 07/17/06-...
	PS500014MJ		27 PRO DOOR SKIN SERVICE KIT W/LOGO AFTER 07/17/06 -...
	PS500014MJBR		27 PRO DOOR SKIN SERVICE KIT W/LOGO AFTER 07/17/06-...
	PS500014SG		27 PRO DOOR SKIN SERVICE KIT W/LOGO AFTER 07/17/06 -...
	PS500014SGBR		27 PRO DOOR SKIN SERVICE KIT W/LOGO AFTER 07/17/06-...
	PS500014SS		27 PRO DOOR SKIN SERVICE KIT W/LOGO AFTER 07/17/06 -...
	PS500014SSBR		27 PRO DOOR SKIN SERVICE KIT W/LOGO AFTER 07/17/06-...
	PS500014VB		27 PRO DOOR SKIN SERVICE KIT W/LOGO AFTER 07/17/06 -...
	PS500014VBBR		27 PRO DOOR SKIN SERVICE KIT W/LOGO AFTER 07/17/06 -...
	PS500014WH		27 PRO DOOR SKIN SERVICE KIT W/LOGO AFTER 07/17/06 -...
	PS500014WHBR		27 PRO DOOR SKIN SERVICE KIT W/LOGO AFTER 07/17/06 -...
	PS500018AL		27 PRO DOOR SKIN SERVICE KIT W/LOGO BEFORE 07/17/0...
	PS500018ALBR		27 PRO DOOR SKIN SRV KIT W/LOGO BEFORE 07/17/06 - AL...
	PS500018BK		27 PRO DOOR SKIN SRV KIT W/LOGO BEFORE 07/17/06 - BK...
	PS500018BKBR		27 PRO DOOR SKIN SRV KIT W/LOGO BEFORE 07/17/06 - BK...
	PS500018BT		27 PRO DOOR SKIN SERVICE KIT W/LOGO BEFORE 07/17/0...
	PS500018BTBR		27 PRO DOOR SKIN SERVICE KIT W/LOGO BEFORE 07/17/0...
	PS500018BU		27 PRO DOOR SKIN SERVICE KIT W/LOGO BEFORE 07/17/0...
	PS500018BUBR		27 PRO DOOR SKIN SERVICE KIT W/LOGO BEFORE 07/17/0...
	PS500018CB		27 PRO DOOR SKIN SERVICE KIT W/LOGO BEFORE 07/17/0...
	PS500018CBBR		27 PRO DOOR SKIN SERVICE KIT W/LOGO BEFORE 07/17/0...

Ref #	Part Number	Qty.	Description
	PS500018CBBR		27 PRO DOOR SKIN SERVICE KIT W/LOGO BEFORE 07/17/0...
	PS500018EP		27 PRO DOOR SKIN SERVICE KIT W/LOGO BEFORE 07/17/0...
	PS500018EPBR		27 PRO DOOR SKIN SERVICE KIT W/LOGO BEFORE 07/17/0...
	PS500018FG		27 PRO DOOR SKIN SERVICE KIT W/LOGO BEFORE 07/17/0...
	PS500018FGBR		27 PRO DOOR SKIN SERVICE KIT W/LOGO BEFORE 07/17/0...
	PS500018GG		27 PRO DOOR SKIN SERVICE KIT W/LOGO BEFORE 07/17/0...
	PS500018GGBR		27 PRO DOOR SKIN SERVICE KIT W/LOGO BEFORE 07/17/0...
	PS500018LE		27 PRO DOOR SKIN SERVICE KIT W/LOGO BEFORE 07/17/0...
	PS500018LEBR		27 PRO DOOR SKIN SERVICE KIT W/LOGO BEFORE 07/17/0...
	PS500018MJ		27 PRO DOOR SKIN SERVICE KIT W/LOGO BEFORE 07/17/0...
	PS500018MJBR		27 PRO DOOR SKIN SERVICE KIT W/LOGO BEFORE 07/17/0...
	PS500018SG		27 PRO DOOR SKIN SERVICE KIT W/LOGO BEFORE 07/17/0...
	PS500018SGBR		27 PRO DOOR SKIN SERVICE KIT W/LOGO BEFORE 07/17/0...
	PS500018SS		27 PRO DOOR SKIN SERVICE KIT W/LOGO BEFORE 07/17/0...
	PS500018SSBR		27 PRO DOOR SKIN SERVICE KIT W/LOGO BEFORE 07/17/0...
	PS500018VB		27 PRO DOOR SKIN SERVICE KIT W/LOGO BEFORE 07/17/0...
	PS500018VBBR		27 PRO DOOR SKIN SERVICE KIT W/LOGO BEFORE 07/17/0...
	PS500018WH		27 PRO DOOR SKIN SERVICE KIT W/LOGO BEFORE 07/17/0...
	PS500018WHBR		27 PRO DOOR SKIN SERVICE KIT W/LOGO BEFORE 07/17/0...
21	PD020032		SRW-8(A)X3/8PH.WFR HD 7/16DIAXNICL
22	PD030006		CAPPED WASHER PAL NUT
23	PE010016		NAMEPLATE, LOGO, PRO
	PE010017		LOGO (VGSO,VEDO,VGDO,VUD) XWH/CHR
	PE010079		4.5 LOGO/VIKING PROF, BK/BR
	PE010080		4.5 LOGO/VIKING PROF XWH/BR
NI	G32012719AL		27 DOOR ASSY W/LOGO XALX
	G32012719ALBR		27 DOOR ASSY W/LOGO XALBRX
	G32012719BK		27 DOOR ASSY W/LOGO XBKX
	G32012719BKBR		27 DOOR ASSY W/LOGO XBKBRX
	G32012719BT		27 DOOR ASSY W/LOGO XBTX
	G32012719BTBR		27 DOOR ASSY W/LOGO XBTBRX
	G32012719BU		27 DOOR ASSY W/LOGO XBUX
	G32012719BUBR		27 DOOR ASSY W/LOGO XBUBRX
	G32012719CB		27 DOOR ASSY W/LOGO XCBX
	G32012719CBBR		27 DOOR ASSY W/LOGO XCBBRX
	G32012719EP		27 DOOR ASSY W/LOGO XEPX
	G32012719EPBR		27 DOOR ASSY W/LOGO XEPBRX
	G32012719FG		27 DOOR ASSY W/LOGO XFGX
	G32012719FGBR		27 DOOR ASSY W/LOGO XFGBRX
	G32012719GG		27 DOOR ASSY W/LOGO XGGX
	G32012719GGBR		27 DOOR ASSY W/LOGO XGGBRX
	G32012719LE		27 DOOR ASSY W/LOGO XLEX
	G32012719LEBR		27 DOOR ASSY W/LOGO XLEBRX
	G32012719MJ		27 DOOR ASSY W/LOGO XMJX
	G32012719MJBR		27 DOOR ASSY W/LOGO XMJBRX
	G32012719SG		27 DOOR ASSY W/LOGO XSGX
	G32012719SGBR		27 DOOR ASSY W/LOGO XSGBRX
	G32012719SS		27 DOOR ASSY W/LOGO
	G32012719SSBR		27 DOOR ASSY W/LOGO XSSBRX
	G32012719VB		27 DOOR ASSY W/LOGO XVBX
	G32012719VBBR		27 DOOR ASSY W/LOGO XVBBRX
	G32012719WH		27 DOOR ASSY W/LOGO XWHX
	G32012719WHBR		27 DOOR ASSY W/LOGO XWHBRX

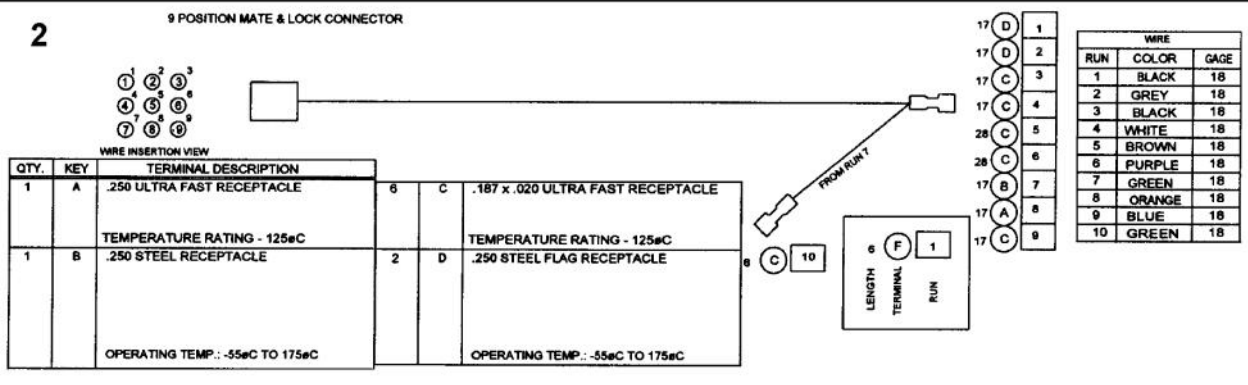


Ref #	Part Number	Qty.	Description
1	PE070743		SINGLE CLOCK HARNESS
2	PE070754		TEST HARNESS SINGLE
3	PE070739		BAKE ELEMENT HARNESS
NI	G4005496		SUPPLY WIRE - 100 BK 10GA SO/DO
NI	G4005497		SUPPLY WIRE - 100 GREEN 10GA SO/DO
NI	G4005499		SUPPLY WIRE - 100 RED 10GA SO/DO
NI	G4005494		SUPPLY WIRE - 75 WH 12 GA SO/DO

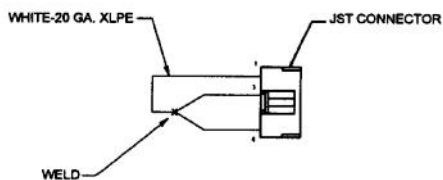
1



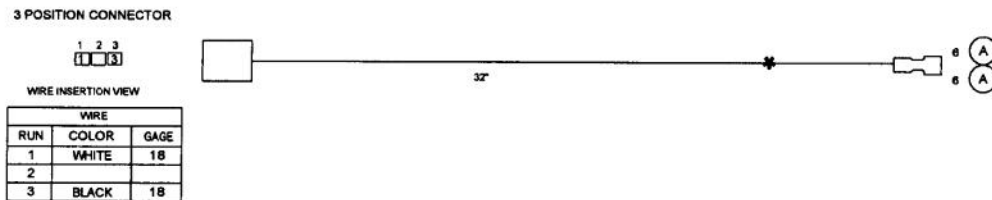
2



3

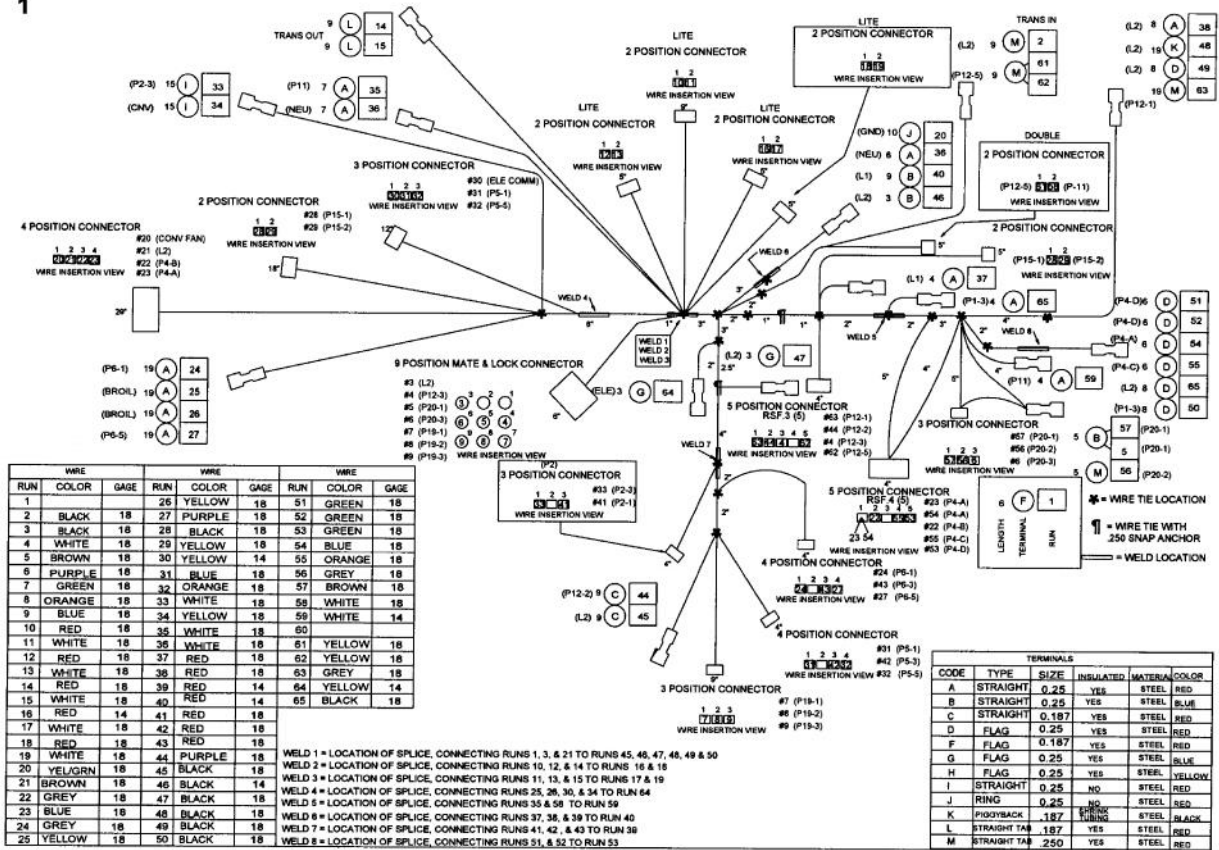


4



Ref #	Part Number	Qty.	Description
1	PE070738		T/STAT-SEL HARNESS
2	PE070733		UPPER LATCH HARNESS
3	PE070734		SINGLE OVEN HEADER
4	PE070735		MEAT PROBE HARNESS

1



WIRE	WIRE	WIRE	WIRE					
RUN	COLOR	GAGE	RUN	COLOR	GAGE	RUN	COLOR	GAGE
1			25	YELLOW	18	51	GREEN	18
2	BLACK	18	27	PURPLE	18	52	GREEN	18
3	BLACK	18	28	BLACK	18	53	GREEN	18
4	WHITE	18	29	YELLOW	18	54	BLUE	18
5	BROWN	18	30	YELLOW	14	55	ORANGE	18
6	PURPLE	18	31	BLUE	18	56	GREY	18
7	GREEN	18	32	ORANGE	18	57	BROWN	18
8	ORANGE	18	33	WHITE	18	58	WHITE	18
9	BLUE	18	34	YELLOW	18	59	WHITE	14
10	RED	18	35	WHITE	18	60		
11	WHITE	18	36	WHITE	18	61	YELLOW	18
12	RED	18	37	RED	18	62	YELLOW	18
13	WHITE	18	38	RED	18	63	GREY	18
14	RED	18	39	RED	14	64	YELLOW	14
15	WHITE	18	40	RED	14	65	BLACK	18
16	RED	14	41	RED	18			
17	WHITE	18	42	RED	18			
18	RED	18	43	RED	18			
19	WHITE	18	44	PURPLE	18			
20	YELLOW	18	45	BLACK	18			
21	BROWN	18	46	BLACK	14			
22	GREY	18	47	BLACK	18			
23	BLUE	18	48	BLACK	18			
24	GREY	18	49	BLACK	18			
25	YELLOW	18	50	BLACK	18			

WELD 1 = LOCATION OF SPLICE, CONNECTING RUNS 1, 3, & 21 TO RUNS 45, 46, 47, 48, 49 & 50
 WELD 2 = LOCATION OF SPLICE, CONNECTING RUNS 10, 13, & 14 TO RUNS 16 & 18
 WELD 3 = LOCATION OF SPLICE, CONNECTING RUNS 11, 13, & 15 TO RUNS 17 & 19
 WELD 4 = LOCATION OF SPLICE, CONNECTING RUNS 25, 26, 30, & 34 TO RUN 64
 WELD 5 = LOCATION OF SPLICE, CONNECTING RUNS 35 & 58 TO RUN 59
 WELD 6 = LOCATION OF SPLICE, CONNECTING RUNS 37, 38, & 39 TO RUN 40
 WELD 7 = LOCATION OF SPLICE, CONNECTING RUNS 41, 42, & 43 TO RUN 38
 WELD 8 = LOCATION OF SPLICE, CONNECTING RUNS 51, & 52 TO RUN 53

CODE	TYPE	SIZE	INSULATED	MATERIAL	COLOR
A	STRAIGHT	0.25	YES	STEEL	RED
B	STRAIGHT	0.25	YES	STEEL	BLUE
C	STRAIGHT	0.187	YES	STEEL	RED
D	FLAG	0.25	YES	STEEL	RED
F	FLAG	0.187	YES	STEEL	RED
G	FLAG	0.25	YES	STEEL	BLUE
H	FLAG	0.25	YES	STEEL	YELLOW
I	STRAIGHT	0.25	NO	STEEL	RED
J	RING	0.25	NO	STEEL	RED
K	PIGGYBACK	187	NO	STEEL	BLACK
L	STRAIGHT TAB	187	YES	STEEL	RED
M	STRAIGHT TAB	250	YES	STEEL	RED

Ref #	Part Number	Qty.	Description
1	PE070742		UPPER CONTROL HARNESS