

This Owner's Manual is provided and hosted by [Appliance Factory Parts](#).



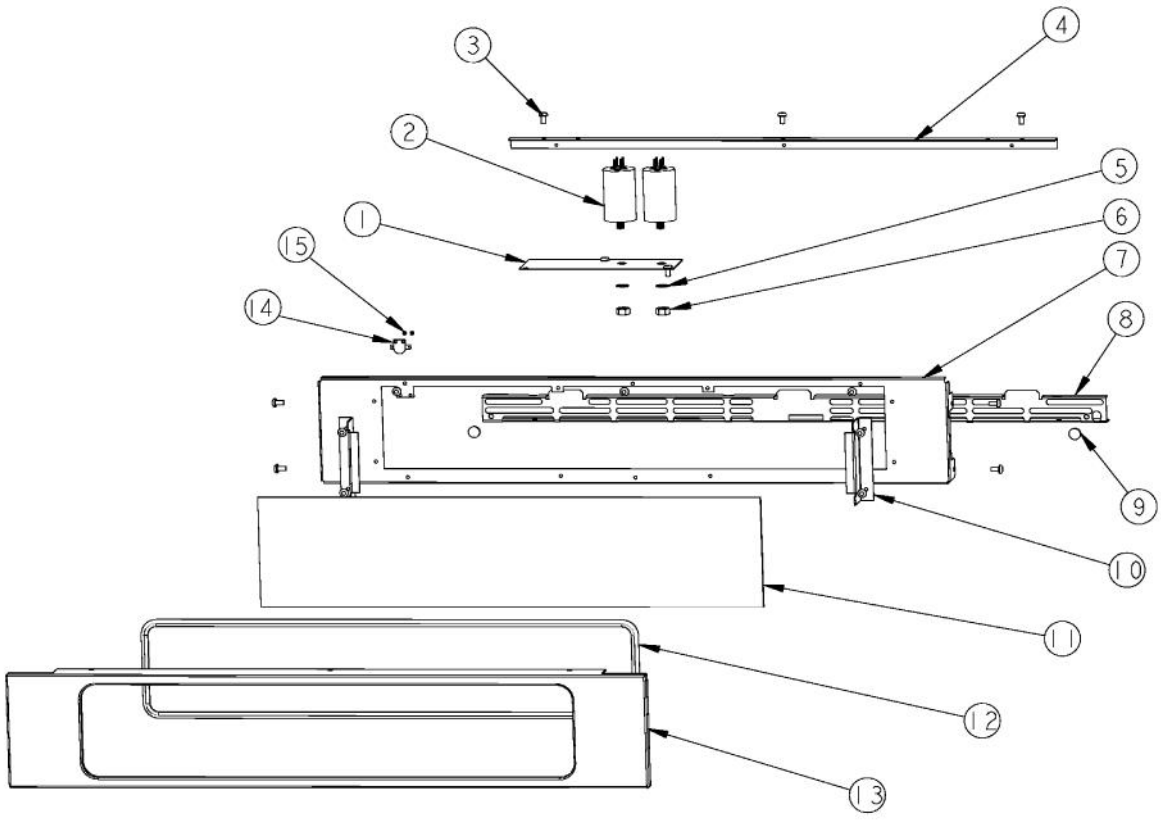
# VIKING VESO530T Owner's Manual

[Shop genuine replacement parts for VIKING VESO530T](#)

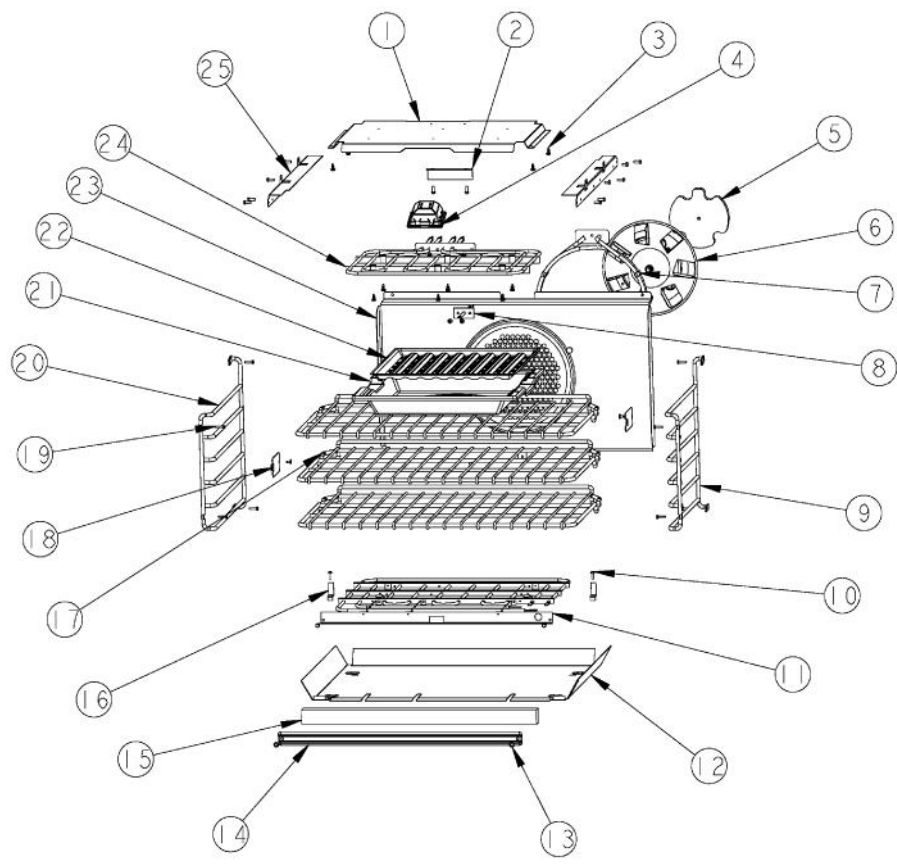


[Find Your VIKING Oven Parts - Select From 98 Models](#)

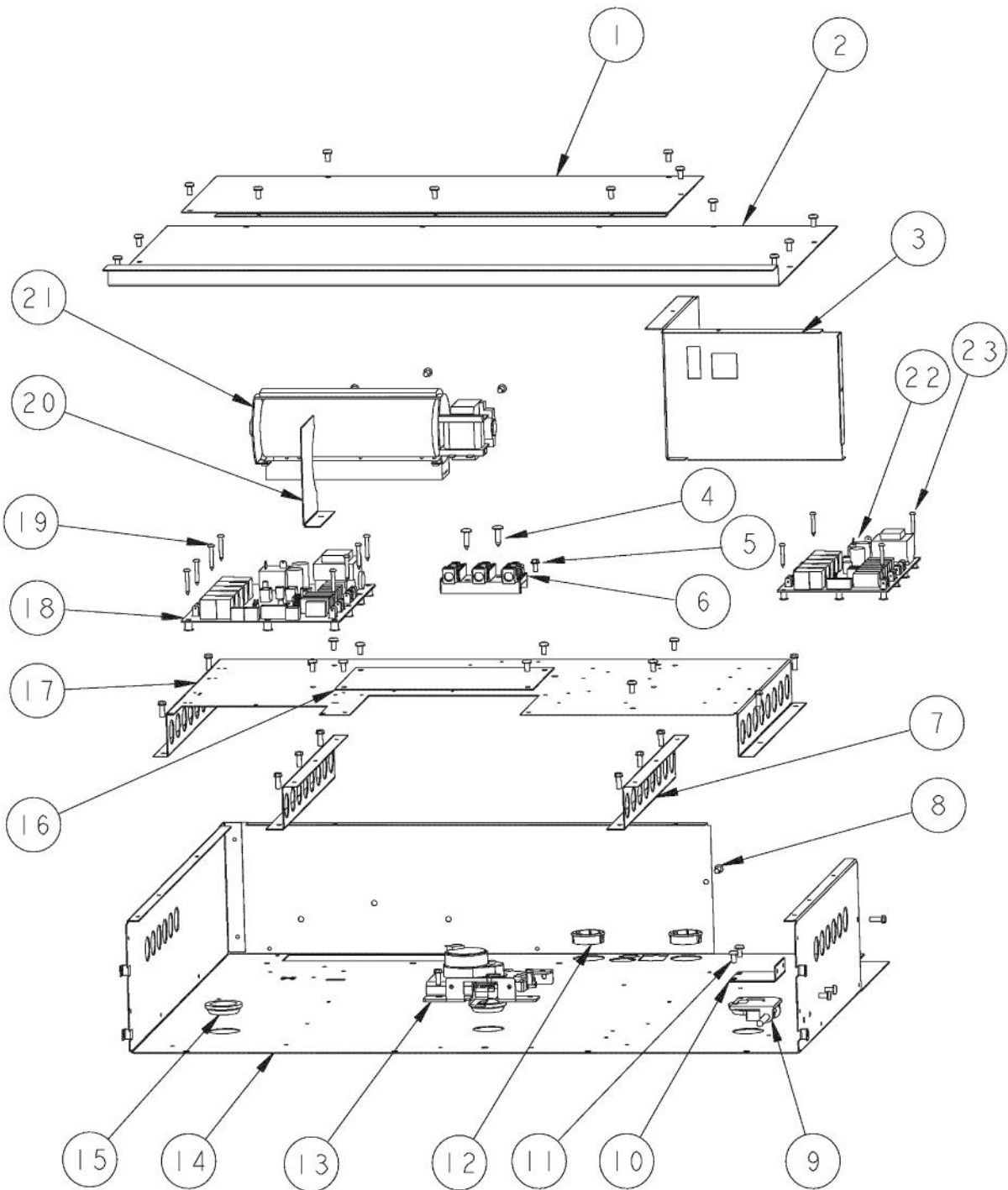
----- Manual continues below -----



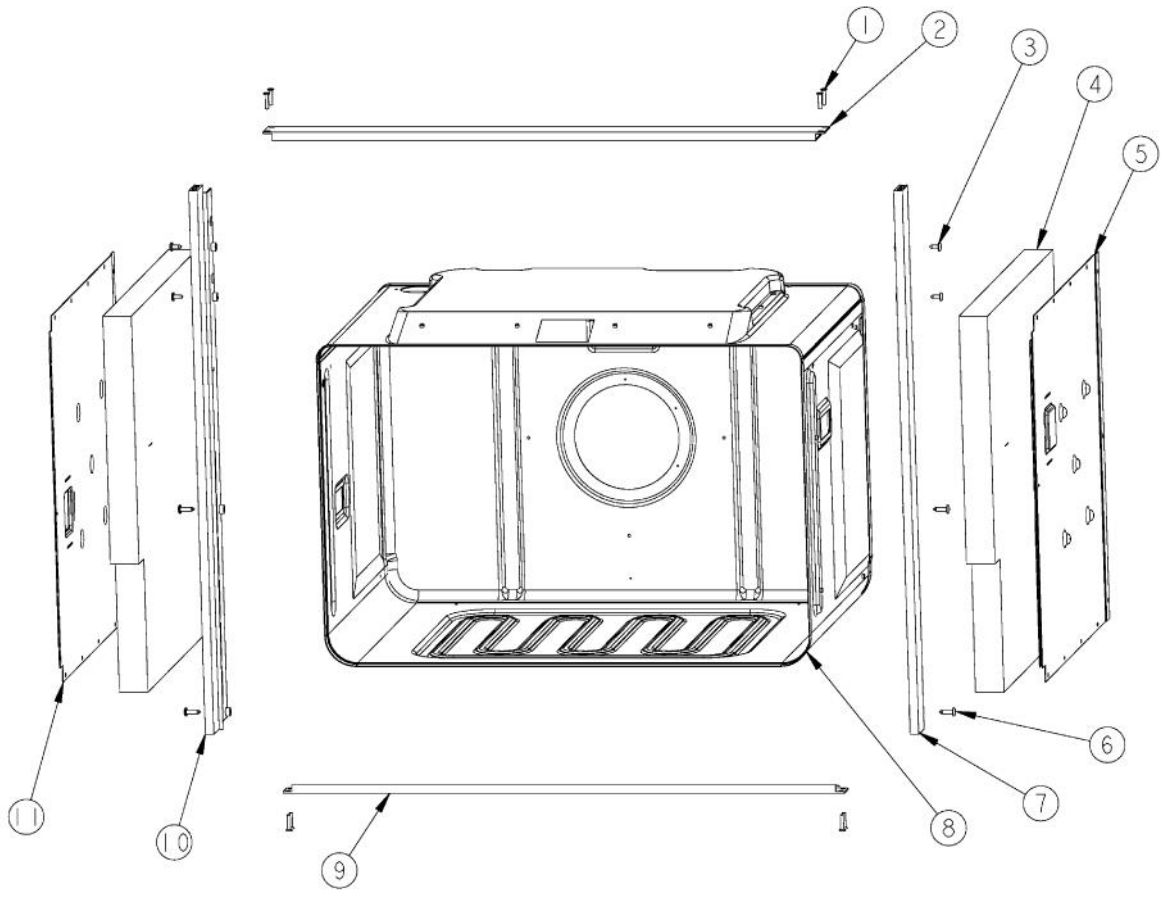
Ref #	Part Number	Qty.	Description
1	A10014028	1	2 CAPACITOR BRACKET
2	PE050247	2	EBM FAN MOTOR CAPACITOR
3	PD020004	16	10X3/8PH.HD.TYPE 25 REPL PD040125
4	002534-000	1	PRO-TOUCH CONTROL PANEL BRACKET
5	PD040164	2	5/16 INTERNAL TOOTH LOCK WASHER TYPE A
6	PD030172	2	M8 X 1.25MM NUT
7	000818-000	1	30 DOUBLE CONTROL MTG PANEL
8	C90014072BK	1	30 INLET GRILL
8	C90014072WH	1	30 INLET GRILLXWHX
9	PD040004	2	GROMMET BUMPER
10	000238-000	2	TOUCH CONTROL MTG BRACKET
11	002461-000	1	PROFESSIONAL SINGLE PREMIERE TOUCH CONTROL
12	000816-000	1	30 J-MOLD (CHROME)
13	002456-000BK	1	30`` PROFESSIONAL CONTROL PNL - BK
13	002456-000SS	1	30`` PROFESSIONAL CONTROL PNL - SS
13	002456-000WH	1	30`` PROFESSIONAL CONTROL PNL - WH
14	PJ030043	1	BI-METAL THERMOSTAT (N.C.) 180 DEGREES
15	PD020013	2	TYPE AB NO.6 X 3/8 PH PAN HD. SMS



Ref #	Part Number	Qty.	Description
1	A20014021	1	REFLECTOR, BROIL
2	A20014044	1	BROIL ELEMENT SHIELD
3	PD020055	14	NO.10 X 1/2 PAN PHIL. TEK. SS
4	PE050239	1	HALOGEN LAMP
5	PB070312	1	CONVECTION MOTOR MTG. PLATE INSULATION
6	G32014020	1	CONVECTION FAN ASSY
7	PJ010047	1	CONVECTION ELEMENT
8	PE050206	1	RTD THERMOSTAT PROBE
9	PB060103	1	RACK SUPPORT RH
10	PD020060	17	10 X 1/2 (5/16)HEX WSHR HD.(T)A
11	PJ010048	1	BAKE ELEMENT
12	A2009612	1	ELEMENT, MTG TRAY
13	PD020063	4	SCREW-NO.8(A) X 3/8PH WFR HD/BK OXID
14	E9109655	1	BAKE TRAY COVER
15	PB070309	1	BAKE ELEMENT INSULATION
16	A2009696	2	HOLDER, BAKE ELEMENT
17	PB060107	3	30 OVEN RACK
18	E91012614	2	LIGHT HOLE COVER
19	PD020232	8	NO.8 X 3/4 PH PAN HEAD TEK SCREW (BLACK OXIDE)
20	PB060104	1	RACK SUPPORT LH
21	E9107933	1	BROILER PAN
22	E9107934	1	BROILER PAN INSERT
23	G91013598	1	30 BAFFLE ASSEMBLY
24	024040-000	1	ELEMENT, RIBBON (USE PART NO. 013930-000 IF OUT OF 0...
25	A2009641	2	BRKT, TOP WRAPPER
NI	PE050114	1	MEAT PROBE (DESO/DEDO) (SWITCHCRAFT'S PART NO. 4...
NI	006014-000	1	GLIDE RACK
NI	PE050115	1	MEAT PROBE JACK
NI	PE050203	1	CONVECTION MOTOR

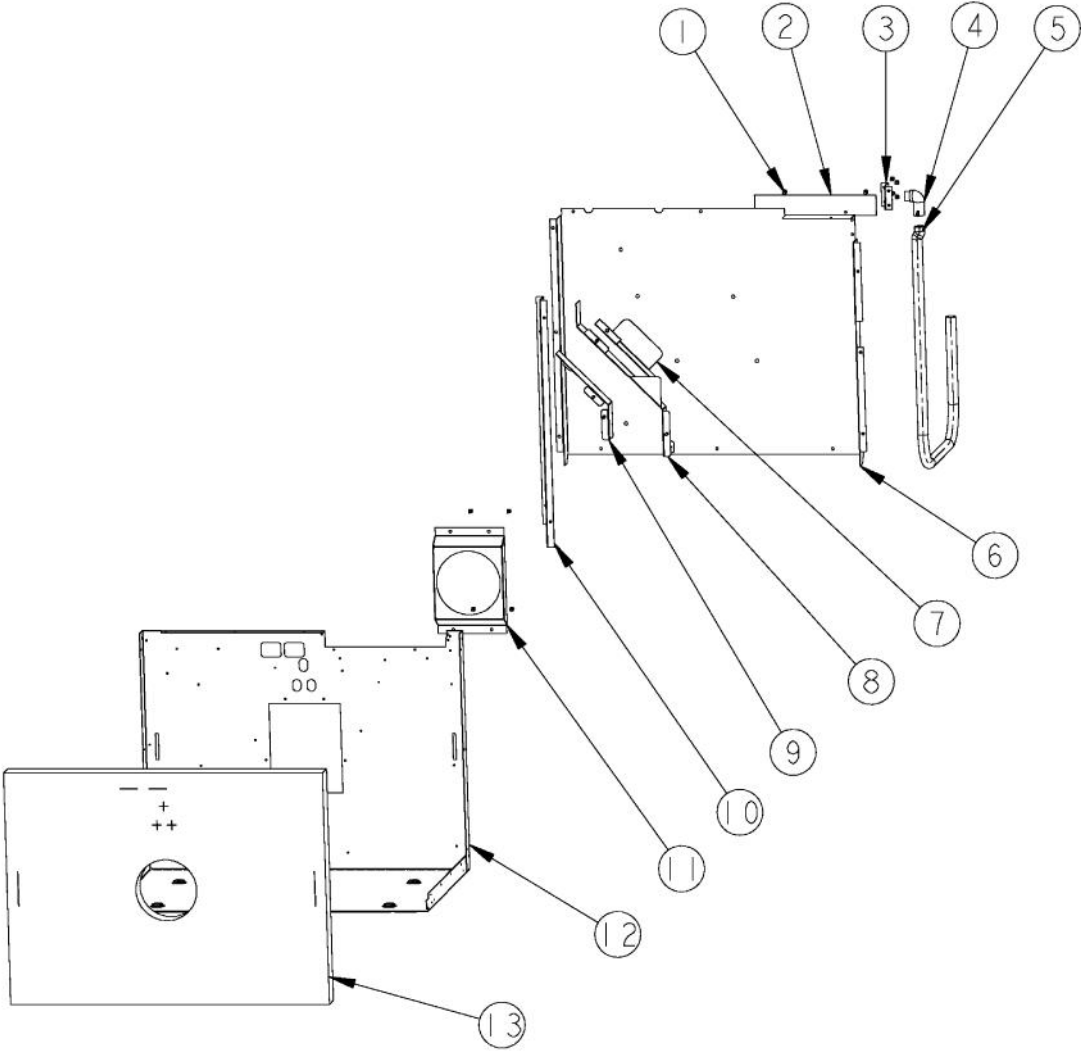


Ref #	Part Number	Qty.	Description
1	A20014049	1	30 REAR COVER
2	A20014048	1	30 FRONT COVER
3	A20010934	1	BRACKET, MODULE PAN
4	PD020014	2	10X3/4 PH TR HD SMS
5	PD020010	1	10 X 3/8 GREEN GROUNDING SCREW
6	PE070147	1	TERMINAL BLOCK
7	A20010910	2	BRACKET, SUPPORT, ELECTRONICS HAT
8	PD020060	19	10 X 1/2 (5/16)HEX WSHR HD.(T)A
9	PE050208	1	DOOR SWITCH
10	A20012649	1	DOOR SWITCH BRACKET
11	PD020004	26	10X3/8PH.HD.TYPE 25 REPL PD040125
12	PD040152	2	SNAP BUSHING
13	PE050210	1	DOOR LATCH
14	A2009643	1	MODULE PAN, TOP 30
15	PB070079	3	SILICONE EXTRUSION (DGSU)
16	A10010911	1	COVER, LATCH
17	A2009672	1	ELECTRONICS HAT
18	PE050233	2	CONTROL BOARD
19	PD020185	16	NO.6 X 1 PAN HEAD SCREW
20	A2009667	1	REAR AIR DIVIDER
21	PE050228	1	PREMIUM BLOWER
22	PE050234	1	RELAY BOARD
23	PD020185	16	NO.6 X 1 PAN HEAD SCREW

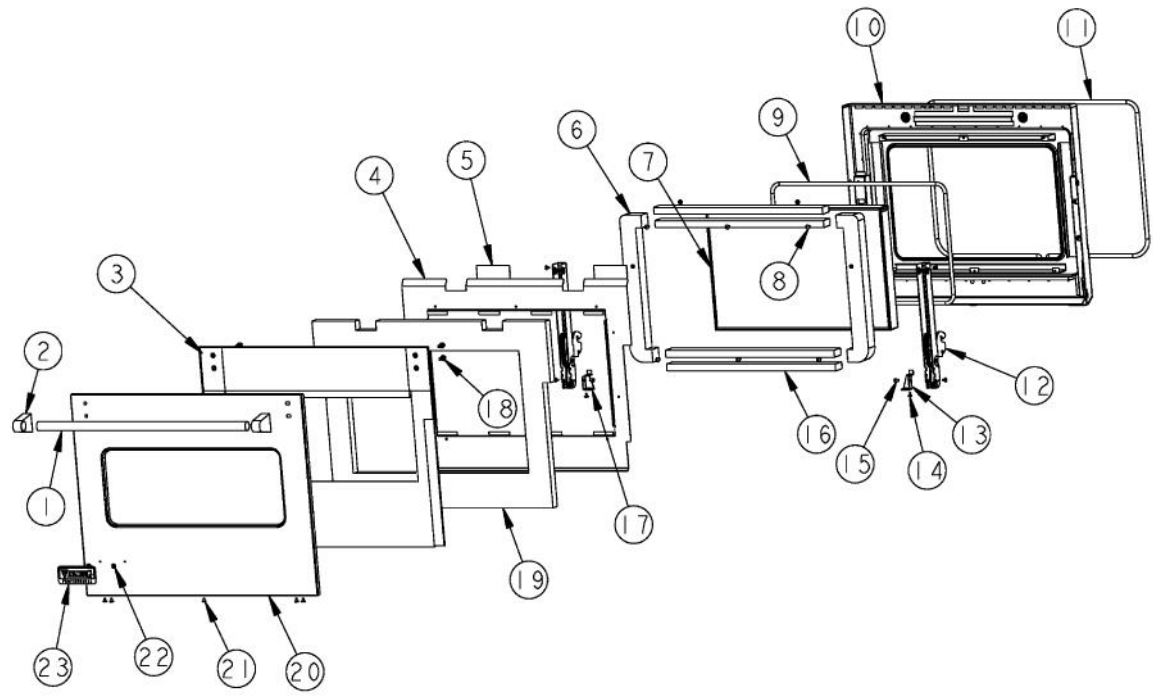




Ref #	Part Number	Qty.	Description
1	PD020170	8	NO.6-32 X 1/2 PHILLIPS C.S. TYPE F SCREW
2	PE040273	1	30 PROF. TOP TRIM
3	PD020002	4	10 X 1/2 PH.TR.HD.SMS.
4	PB070302	2	SIDE INSULATION
5	A2009622	1	BRKT, TOP WRAPPER, RIGHT
6	PD020014	4	10X3/4 PH TR HD SMS
7	PE040275	1	PROF. SINGLE SIDE TRIM RH
8	NOT REPLACEABLE	N/A	OVEN CAVITY (NOT REPLACEABLE PART)
9	PE040274	1	30 PROF. BOTTOM TRIM
10	PE040276	1	PROF. SINGLE SIDE TRIM LH
11	A20012650	2	BRKT, TOP WRAPPER LEFT

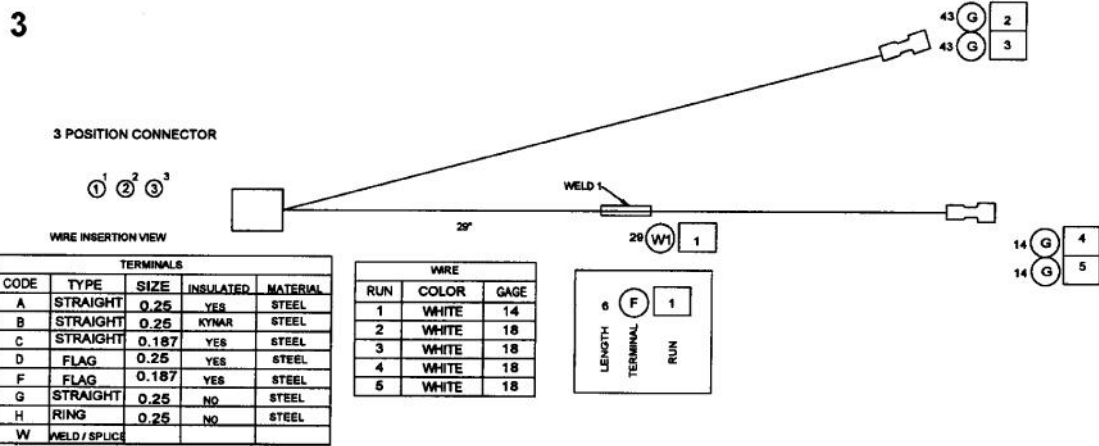
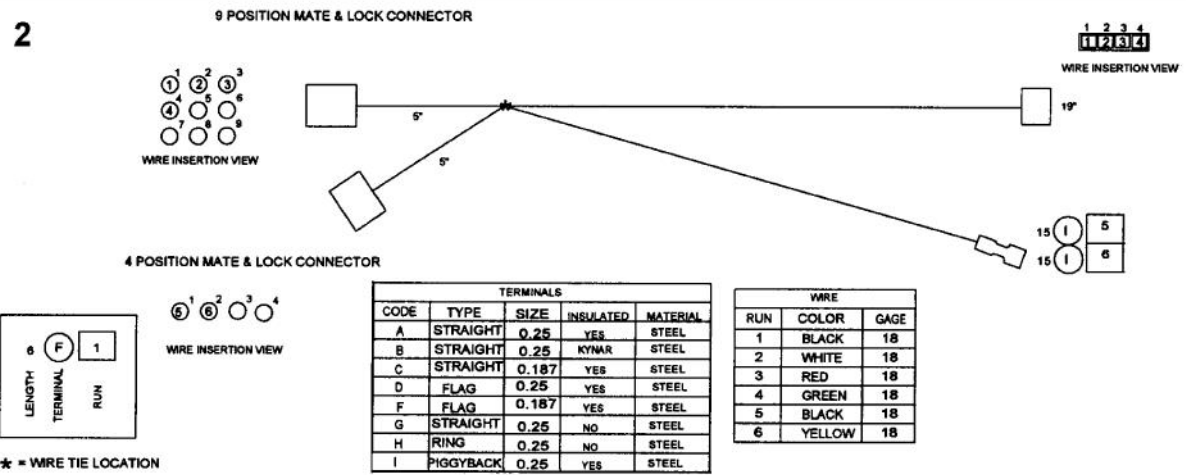
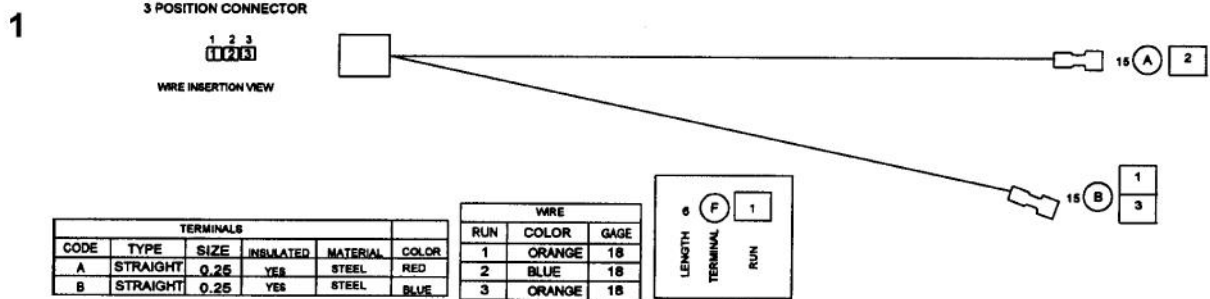


Ref #	Part Number	Qty.	Description
1	PD020060	48	10 X 1/2 (5/16)HEX WSHER HD.(T)A
2	A10010907	1	COVER, BLOWER
3	A2009671	1	BRACKET, POWER CABLE
4	PB040070	1	CONDUIT FITTING (90 DEG)
5	PB020071	1	CONDUIT - FLEXIBLE (48)
6	A2009640	1	PANEL, REAR 30
7	A20014052	1	WIRE SHIELD
8	A21010918	1	BRACKET, AIR, CONVECTION MOTOR
9	A21010919	2	BRACKET, AIR, CONVECTION MOTOR
10	A2009666	1	AIR CHANNEL
11	A2009697	1	BRACKET, CONVECTION INSULATION
12	NOT REPLACEABLE	N/A	OVEN CAVITY (NOT REPLACEABLE PART)
13	PB070304	2	30 BACK INSULATION



Ref #	Part Number	Qty.	Description
1	PE030179	1	30 PROF. DOOR HANDLE
1	PE030179PVD		30 PROF. DOOR HANDLE XPVDX 24.907
2	PE030001	2	BRACKET, DOOR, HANDLE
2	PE030001PVD		END CAP DOOR HANDLE XBR
3	001499-000	1	PRO 30" INSULATION RETAINER KIT (AFTER 7-17-06)
4	A2009632	1	PANEL, INULATION, INNER DOOR
5	PB070336	2	DOOR BRACKET INSULATION
6	PB070271	2	DOOR PLUG INSULATION
7	PE060094	1	30 WINDOW PACK
8	PD020002	10	10 X 1/2 PH.TR.HD.SMS.
9	000594-000	1	BLACK FIBERGLASS ROPE 3/8
10	G9109625	1	DOOR LINER PORC.
11	PB070246	1	30 DOOR GASKET
12	PC020220	2	SUB TO 006070-000 - DOOR HINGE MANSFIELD 30
13	A20012640	1	HINGE SUPPORT RH
14	PD020063	2	SCREW-NO.8(A) X 3/8PH WFR HD/BK OXID
15	PD020004	2	10X3/8PH.HD.TYPE 25 REPL PD040125
16	PB070269	4	30 WINDOW PACK INSULATION
17	A20012641	1	HINGE SUPPORT LH
18	PD020186	4	1/4-20 X 3/4 HEX WASHER HEAD MS
19	PB070272	1	30 DOOR INSULATION
20	PS500015AL	1	30 PRO DOOR SKIN SVC KIT W/LOGO AFTER 07/17/06 - AL
20	PS500015ALBR	1	30 PRO DOOR SKIN SVC KIT W/LOGO AFTER 07/17/06 - AL/B...
20	PS500015BK	1	30 PRO DOOR SKIN SVC KIT W/LOGO AFTER 07/17/06 -BK
20	PS500015BKBR	1	30 PRO DOOR SKIN SVC KIT W/LOGO AFTER 07/17/06 -BK/BR
20	PS500015BT	1	30 PRO DOOR SKIN SVC KIT W/LOGO AFTER 07/17/06 - BT
20	PS500015BTBR	1	30 PRO DOOR SKIN SVC KIT W/LOGO AFTER 07/17/06 -BTBR
20	PS500015BU	1	30 PRO DOOR SKIN SVC KIT W/LOGO AFTER 07/17/06 -BU
20	PS500015BUBR	1	30 PRO DOOR SKIN SVC KIT W/LOGO AFTER 07/17/06 - BU/...
20	PS500015CB	1	30 PRO DOOR SKIN SVC KIT W/LOGO AFTER 07/17/06 - CB
20	PS500015CBBR	1	30 PRO DOOR SKIN SVC KIT W/LOGO AFTER 07/17/06 - CB/...
20	PS500015EP	1	30 PRO DOOR SKIN SVC KIT W/LOGO AFTER 07/17/06 - EP
20	PS500015EPBR	1	30 PRO DOOR SKIN SVC KIT W/LOGO AFTER 07/17/06 - EP/B...
20	PS500015FG	1	30 PRO DOOR SKIN SVC KIT W/LOGO AFTER 07/17/06 - FG
20	PS500015FGBR	1	30 PRO DOOR SKIN SVC KIT W/LOGO AFTER 07/17/06 - FG/...
20	PS500015GG	1	30 PRO DOOR SKIN SVC KIT W/LOGO AFTER 07/17/06 -GG
20	PS500015GGBR	1	30 PRO DOOR SKIN SVC KIT W/LOGO AFTER 07/17/06 -GG/B...
20	PS500015LE	1	30 PRO DOOR SKIN SVC KIT W/LOGO AFTER 07/17/06 - LE
20	PS500015LEBR	1	30 PRO DOOR SKIN SVC KIT W/LOGO AFTER 07/17/06 - LE/B...
20	PS500015MJ	1	30 PRO DOOR SKIN SVC KIT W/LOGO AFTER 07/17/06 - MJ
20	PS500015MJBR	1	30 PRO DOOR SKIN SVC KIT W/LOGO AFTER 07/17/06 - MJ/B...
20	PS500015SG	1	30 PRO DOOR SKIN SVC KIT W/LOGO AFTER 07/17/06 - SG
20	PS500015SGBR	1	30 PRO DOOR SKIN SVC KIT W/LOGO AFTER 07/17/06 -SGBR
20	PS500015SS	1	30 PRO DOOR SKIN SVC KIT W/LOGO AFTER 07/17/06 -SS
20	PS500015SSBR	1	30 PRO DOOR SKIN SVC KIT W/LOGO AFTER 07/17/06 - SS/B...
20	PS500015VB	1	30 PRO DOOR SKIN SVC KIT W/LOGO AFTER 07/17/06 - VB
20	PS500015VBBR	1	30 PRO DOOR SKIN SVC KIT W/LOGO AFTER 07/17/06 -VBBR
20	PS500015WH	1	30 PRO DOOR SKIN SVC KIT W/LOGO AFTER 07/17/06 - WH
20	PS500015WHBR	1	30 PRO DOOR SKIN SVC KIT W/LOGO AFTER 07/17/06 - WH/...
21	PD020032	5	SRW-8(A)X3/8PH.WFR HD 7/16DIAXNICL
22	PD030006	5	CAPPED WASHER PAL NUT
23	PE010016	1	NAMEPLATE, LOGO, PRO
23	PE010017	1	LOGO (VGSO,VEDO,VGDO,VUD) XWH/CHR
23	PE010079	1	4.5 LOGO/VIKING PROF, BK/BR
23	PE010080	1	4.5 LOGO/VIKING PROF XWH/BR
NI	G32012723AL	1	30 DOOR ASSY W/LOGO XALX
NI	G32012723ALBR	1	30 DOOR ASSY W/LOGO XALBRX
NI	G32012723BK	1	30 DOOR ASSY W/LOGO XBKX
NI	G32012723BKBR	1	30 DOOR ASSY W/LOGO XBKBRX
NI	G32012723BT	1	30 DOOR ASSY W/LOGO XBTX

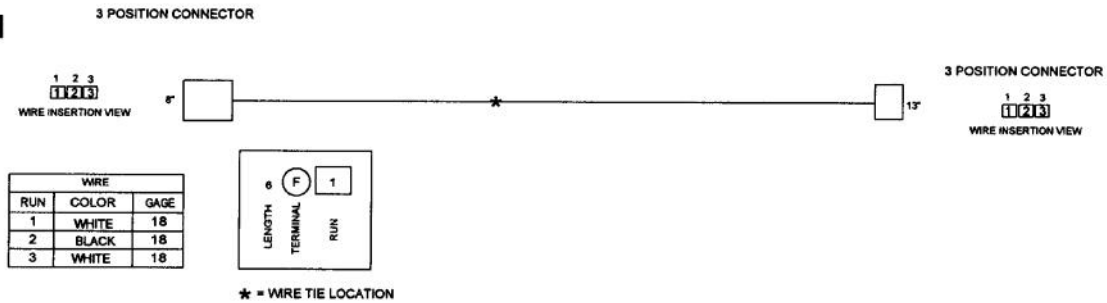
Ref #	Part Number	Qty.	Description
NI	G32012723BT	1	30 DOOR ASSY W/LOGO XBTX
NI	G32012723BTBR	1	30 DOOR ASSY W/LOGO XBTBRX
NI	G32012723BU	1	30 DOOR ASSY W/LOGO XBUX
NI	G32012723BUBR	1	30 DOOR ASSY W/LOGO XBUBRX
NI	G32012723CB	1	30 DOOR ASSY W/LOGO XCBX
NI	G32012723CBBR	1	30 DOOR ASSY W/LOGO XCBBRX
NI	G32012723EP	1	30 DOOR ASSY W/LOGO XEPX
NI	G32012723EPBR	1	30 DOOR ASSY W/LOGO XEPBRX
NI	G32012723FG	1	30 DOOR ASSY W/LOGO XFGX
NI	G32012723FGBR	1	30 DOOR ASSY W/LOGO XFGBRX
NI	G32012723GG	1	30 DOOR ASSY W/LOGO XGGX
NI	G32012723GGBR	1	30 DOOR ASSY W/LOGO XGGBRX
NI	G32012723LE	1	30 DOOR ASSY W/LOGO XLEX
NI	G32012723LEBR	1	30 DOOR ASSY W/LOGO XLEBRX
NI	G32012723MJ	1	30 DOOR ASSY W/LOGO XMJX
NI	G32012723MJBR	1	30 DOOR ASSY W/LOGO XMJBRX
NI	G32012723SG	1	30 DOOR ASSY W/LOGO XSGX
NI	G32012723SGBR	1	30 DOOR ASSY W/LOGO XSGBRX
NI	G32012723SS	1	30 DOOR ASSY W/LOGO
NI	G32012723SSBR	1	30 DOOR ASSY W/LOGO XSSBRX
NI	G32012723VB	1	30 DOOR ASSY W/LOGO XVBX
NI	G32012723VBBR	1	30 DOOR ASSY W/LOGO XVBBRX
NI	G32012723WH	1	30 DOOR ASSY W/LOGO XWHX
NI	G32012723WHBR	1	30 DOOR ASSY W/LOGO XWHBRX
NI	017736-000	1	WINDOW PACK INSULATION KIT



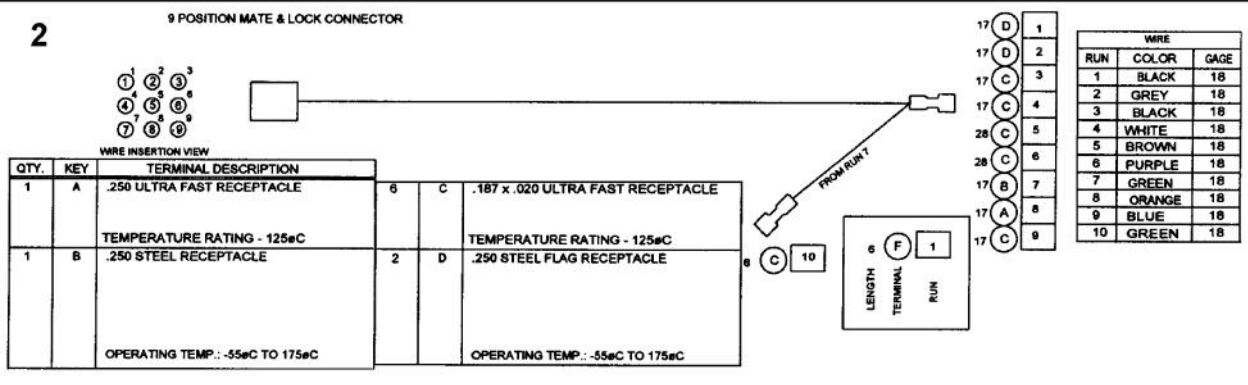
Ref #	Part Number	Qty.	Description
1	PE070743	1	SINGLE CLOCK HARNESS
2	PE070754	1	TEST HARNESS SINGLE
3	PE070739	1	BAKE ELEMENT HARNESS
NI	G4005496	1	SUPPLY WIRE - 100 BK 10GA SO/DO
NI	G4005497	1	SUPPLY WIRE - 100 GREEN 10GA SO/DO
NI	G4005499	1	SUPPLY WIRE - 100 RED 10GA SO/DO
NI	G4005494	1	SUPPLY WIRE - 75 WH 12 GA SO/DO



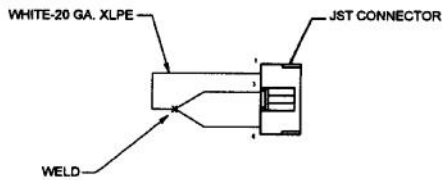
1



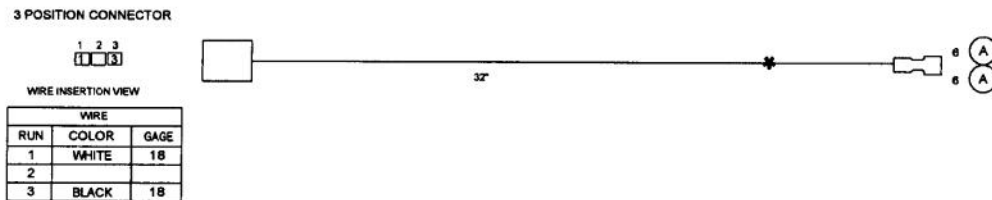
2



3

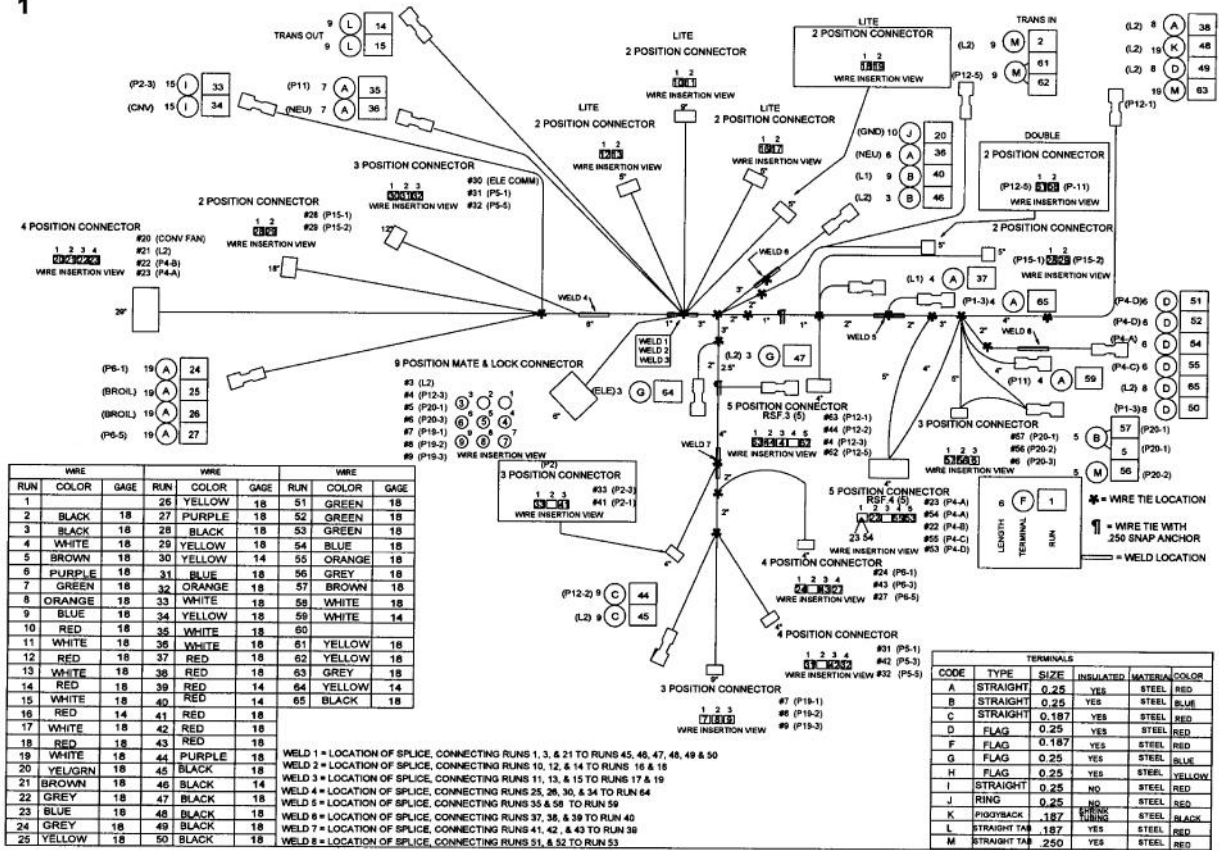


4



Ref #	Part Number	Qty.	Description
1	PE070738	1	T/STAT-SEL HARNESS
2	PE070733	1	UPPER LATCH HARNESS
3	PE070734	1	SINGLE OVEN HEADER

1



WIRE	WIRE	WIRE	WIRE	WIRE	WIRE	WIRE	WIRE	
RUN	COLOR	GAGE	RUN	COLOR	GAGE	RUN	COLOR	GAGE
1			25	YELLOW	18	51	GREEN	18
2	BLACK	18	27	PURPLE	18	52	GREEN	18
3	BLACK	18	28	BLACK	18	53	GREEN	18
4	WHITE	18	29	YELLOW	18	54	BLUE	18
5	BROWN	18	30	YELLOW	14	55	ORANGE	18
6	PURPLE	18	31	BLUE	18	56	GREY	18
7	PURPLE	18	32	ORANGE	18	57	BROWN	18
8	ORANGE	18	33	WHITE	18	58	WHITE	18
9	BLUE	18	34	YELLOW	18	59	WHITE	14
10	RED	18	35	WHITE	18	60		
11	WHITE	18	36	WHITE	18	61	YELLOW	18
12	RED	18	37	RED	18	62	YELLOW	18
13	WHITE	18	38	RED	18	63	GREY	18
14	RED	18	39	RED	14	64	YELLOW	14
15	WHITE	18	40	RED	14	65	BLACK	18
16	RED	14	41	RED	18			
17	WHITE	18	42	RED	18			
18	RED	18	43	RED	18			
19	WHITE	18	44	PURPLE	18			
20	YELLOW	18	45	BLACK	18			
21	BROWN	18	46	BLACK	14			
22	GREY	18	47	BLACK	18			
23	BLUE	18	48	BLACK	18			
24	GREY	18	49	BLACK	18			
25	YELLOW	18	50	BLACK	18			

WELD 1 = LOCATION OF SPLICE, CONNECTING RUNS 1, 3, & 21 TO RUNS 45, 46, 47, 48, 49 & 50  
 WELD 2 = LOCATION OF SPLICE, CONNECTING RUNS 11, 13, & 14 TO RUNS 16 & 18  
 WELD 3 = LOCATION OF SPLICE, CONNECTING RUNS 25, 26, 30, & 34 TO RUN 64  
 WELD 4 = LOCATION OF SPLICE, CONNECTING RUNS 35 & 58 TO RUN 59  
 WELD 5 = LOCATION OF SPLICE, CONNECTING RUNS 37, 38, & 39 TO RUN 40  
 WELD 6 = LOCATION OF SPLICE, CONNECTING RUNS 41, 42, & 43 TO RUN 38  
 WELD 7 = LOCATION OF SPLICE, CONNECTING RUNS 51, & 52 TO RUN 53  
 WELD 8 = LOCATION OF SPLICE, CONNECTING RUNS 51, & 52 TO RUN 53

CODE	TYPE	SIZE	INSULATED	MATERIAL	COLOR
A	STRAIGHT	0.25	YES	STEEL	RED
B	STRAIGHT	0.25	YES	STEEL	BLUE
C	STRAIGHT	0.187	YES	STEEL	RED
D	FLAG	0.25	YES	STEEL	RED
F	FLAG	0.187	YES	STEEL	RED
G	FLAG	0.25	YES	STEEL	BLUE
H	FLAG	0.25	YES	STEEL	YELLOW
I	STRAIGHT	0.25	NO	STEEL	RED
J	RING	0.25	NO	STEEL	RED
K	PIGGYBACK	187	NO	STEEL	BLACK
L	STRAIGHT TAB	187	YES	STEEL	RED
M	STRAIGHT TAB	250	YES	STEEL	RED

Ref #	Part Number	Qty.	Description
1	PE070742	1	UPPER CONTROL HARNESS

*No Image  
Available*

<u>Ref #</u>	<u>Part Number</u>	<u>Qty.</u>	<u>Description</u>
1	PE070845	1	TOUCH CONTROL KEYBOARD HARNESS

*No Image  
Available*

Ref #	Part Number	Qty.	Description
1	PE070846	1	TOUCH CONTROL DISPLAY HARNESS