

This Owner's Manual is provided and hosted by [Appliance Factory Parts](#).



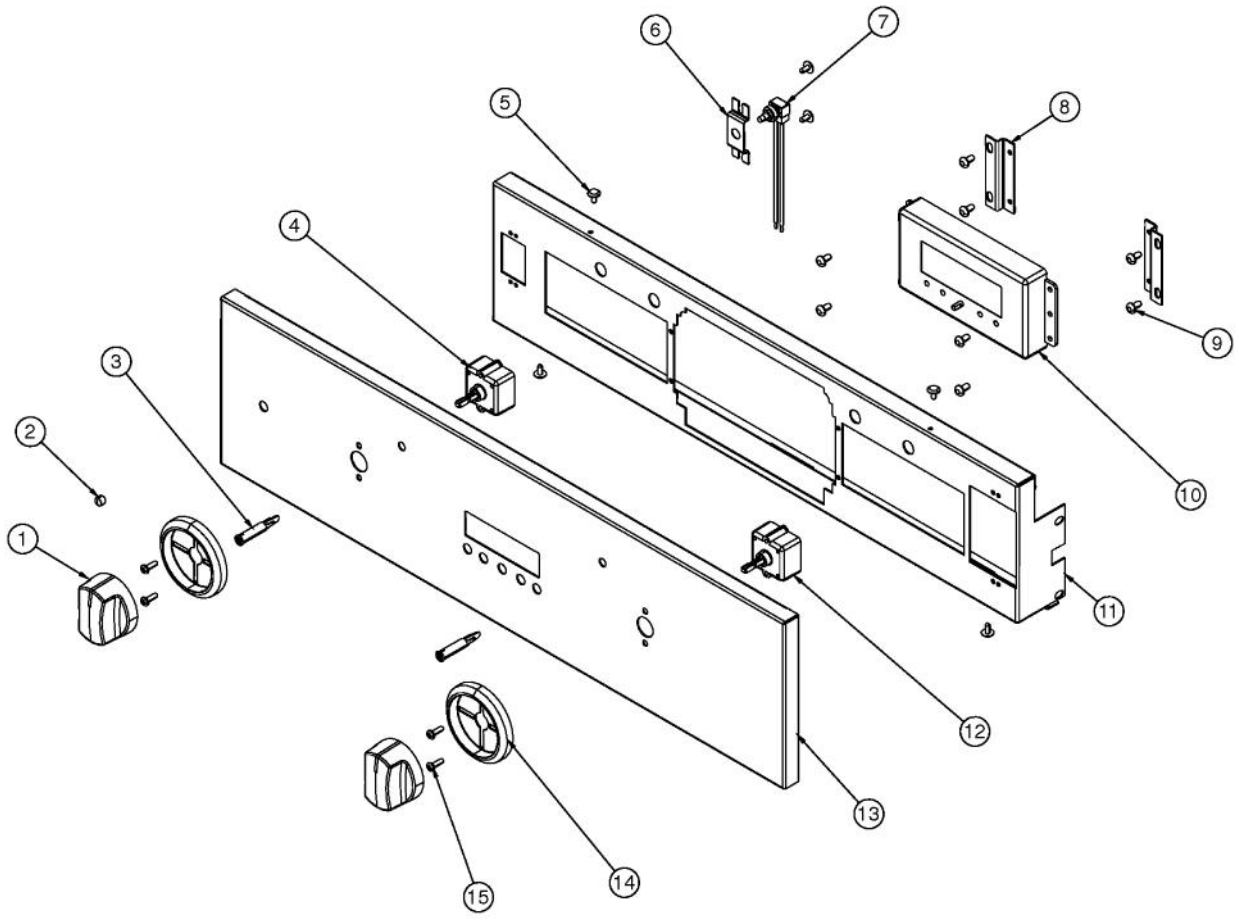
# VIKING VESO1272 Owner's Manual

[Shop genuine replacement parts for VIKING VESO1272](#)

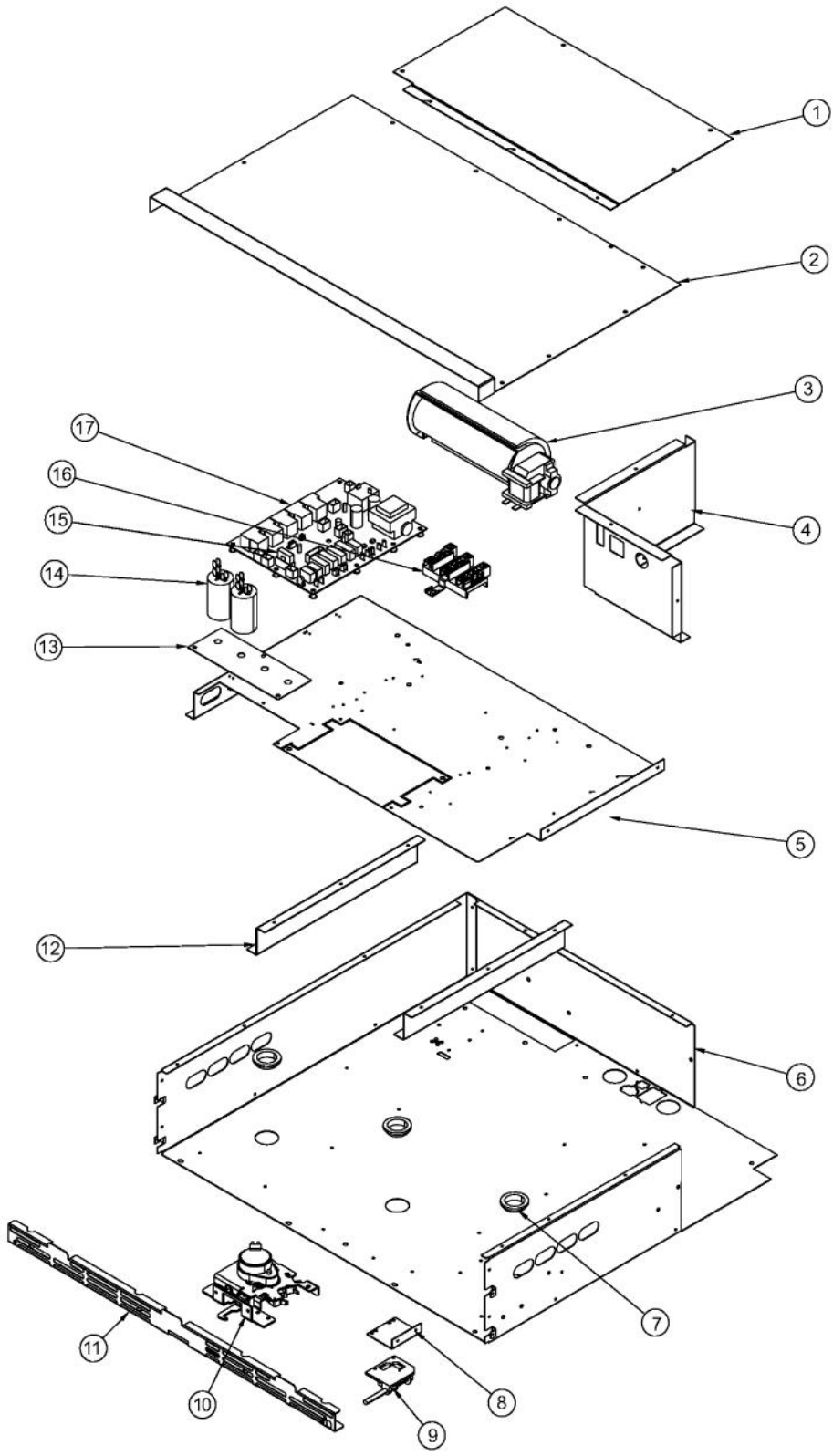


[Find Your VIKING Oven Parts - Select From 98 Models](#)

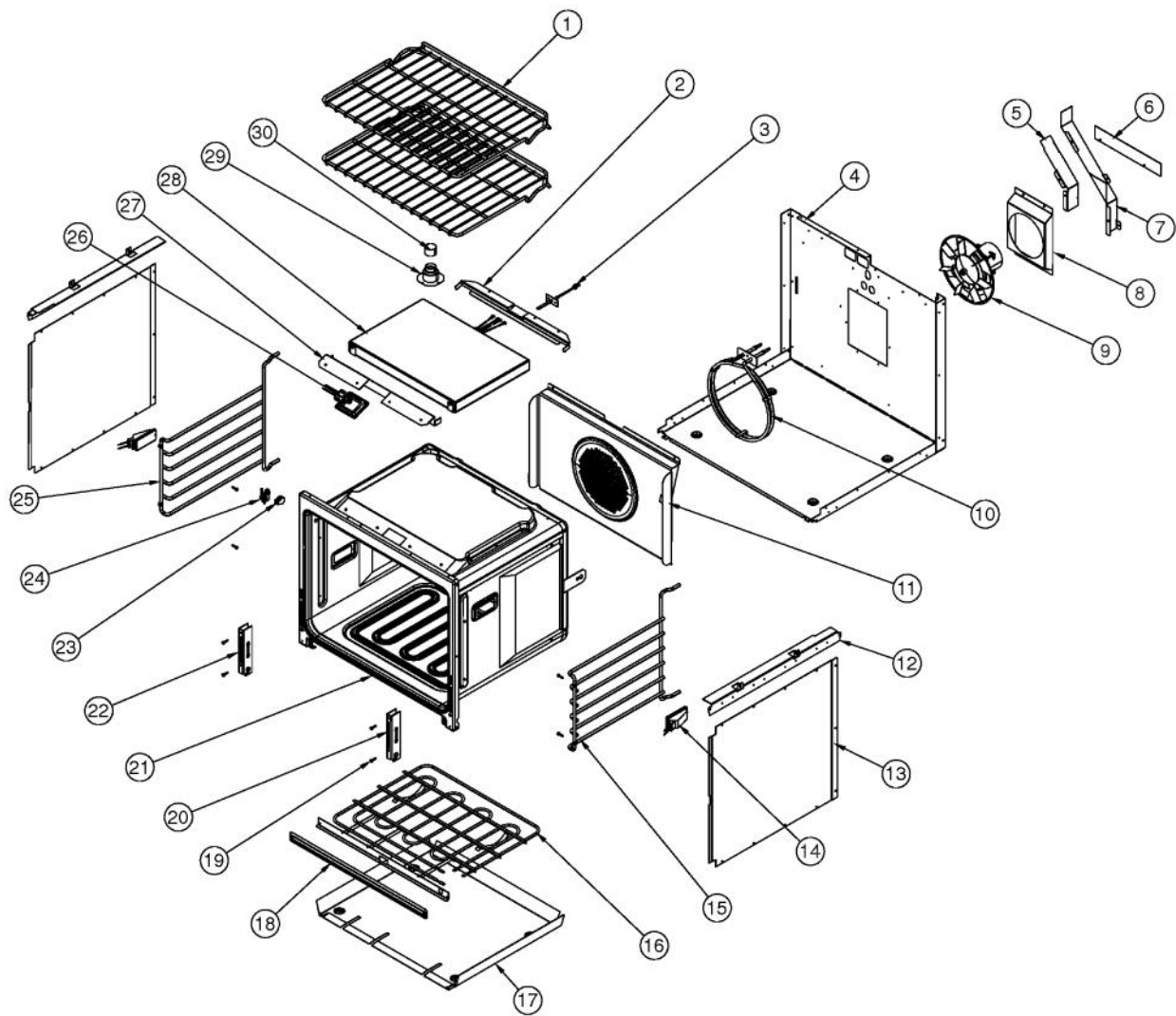
----- Manual continues below -----



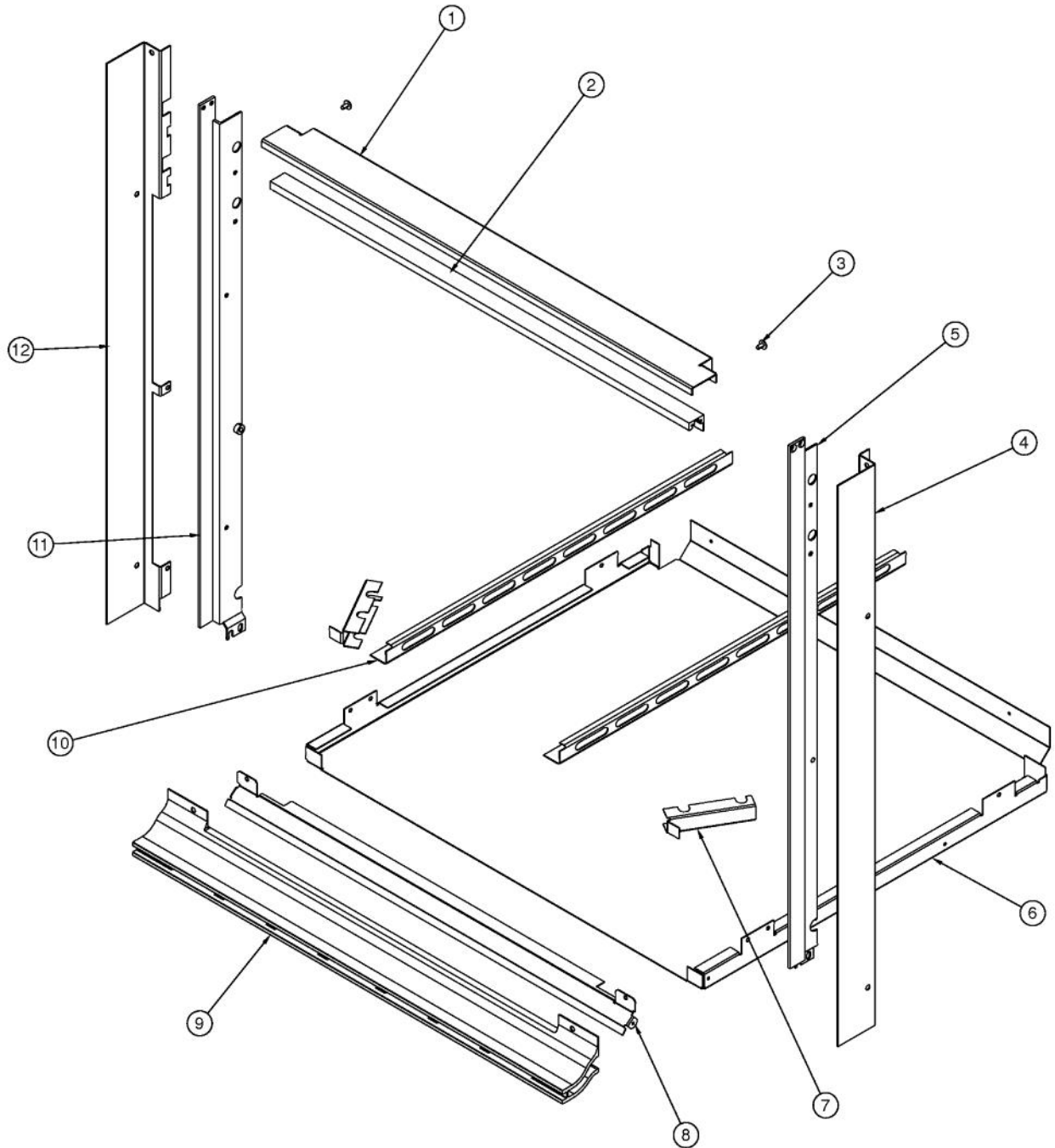
Ref #	Part Number	Qty.	Description
1	015662-000	2	KNOB, OVEN ASM, SS
1	015662-002	2	KNOB, OVEN ASM, BK
2	PA010093	1	DESIGNER OVEN LT SWITCH KNOB
3	015043-000	2	INDICATOR, LIGHT, BLUE LED
4	PJ030033	1	SELECTOR (10 POS)
5	PD020032	6	SRW-8(A)X3/8PH.WFR HD 7/16DIAXNICL
6	024810-000	1	BRACKET, LIGHT SW
7	PE050076	1	DESIGNER OVEN LIGHT SWITCH
8	025058-000	2	BRACKET, CLOCK
9	PD020004	8	10X3/8PH.HD.TYPE 25 REPL PD040125
10	020619-000	1	DISPLAY,CLCK,TOD3
11	025185-000	1	PANEL, CONTROL MOUNTING
12	PJ030035	1	THERMOSTAT
13	025191-2298	1	27 SINGLE CTRL PANEL SELECT W/GRAPHICS
14	PB010304	2	KNOB BEZEL
14	PB010304PVD	2	RESTYLE KNOB BEZEL, BR
15	PD020261	4	NO.8-32X1/2 PH PANHEAD MACH. SCREW



Ref #	Part Number	Qty.	Description
1	A20014047	1	27 REAR COVER
2	025221-000	1	PANEL,CVR, TOP, FR, 27
3	PE050250	1	PREMIUM BLOWER WITH HES
4	A20010934	1	BRACKET, MODULE PAN
5	014000-000	1	EOC4-CONTROL BOARD
6	024413-000	1	27 MTG PANEL, CONTROL
7	A20010933	1	MODULE PAN 27
8	PB070079	3	SILICONE EXTRUSION (DGSU)
9	A20012649	1	DOOR SWITCH BRACKET
10	PE050208	1	DOOR SWITCH
11	013250-000	1	LATCH,DOOR,ASM,240V,GRIDDLE LOCKOUT
12	C90014073BK	1	27 INLET GRILL
13	A20010910	2	BRACKET, SUPPORT, ELECTRONICS HAT
14	A10014028	1	2 CAPACITOR BRACKET
15	PE050247	2	EBM FAN MOTOR CAPACITOR
16	PE070147	1	TERMINAL BLOCK
17	014000-000	1	EOC4-CONTROL BOARD
NI	013999-000	1	SWITCHING POWER SUPPLY BOARD / EOC4

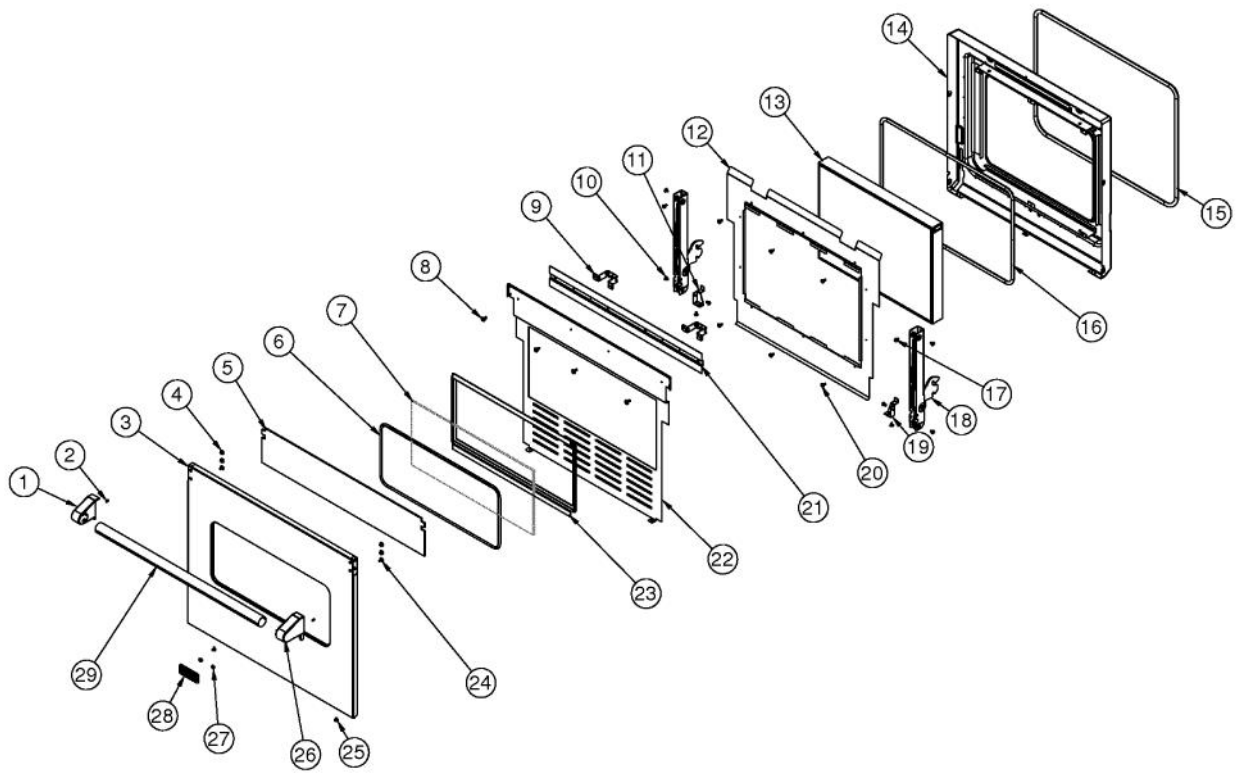


Ref #	Part Number	Qty.	Description
1	PB060105	2	27 OVEN RACK
2	B20014051	1	PREMIERE BROIL ELEMENT BRACKET REAR
3	PE050206	1	RTD THERMOSTAT PROBE
4	A20010931	1	BASE, BACK WRAPPER, 27
5	A21010919	1	BRACKET, AIR, CONVECTION MOTOR
6	A10010907	1	COVER, BLOWER
7	A21010918	1	BRACKET, AIR, CONVECTION MOTOR
8	A2009697	1	BRACKET, CONVECTION INSULATION
9	G32014020	1	CONVECTION FAN ASSY
10	PJ010047	1	CONVECTION ELEMENT
11	G91013597	1	27 BAFFLE ASSEMBLY
12	A2009641	2	BRKT, TOP WRAPPER
13	014137-000	2	WRAPPER, OVEN SIDE
14	005311-000	2	120V/25W HALOGEN LIGHT
15	003039-000	1	RACK GUIDE ASSY, RH
16	PJ010048	1	BAKE ELEMENT
17	A20010932	1	ELEMENT, MTG TRAY
18	E2109655	1	COVER, BAKE TRAY
19	PD020232	8	NO.8 X 3/4 PH PAN HEAD TEK SCREW (BLACK OXIDE)
20	PC020221	1	HINGE POCKET RECEIVER MANSFIELD RH
21	UNSERVICEABLE	1	OVEN CAVITY, ASM 36
22	PC020247	1	HINGE POCKET RECEIVER MANSFIELD LH
23	PM010160	1	MEAT PROBE JACK COVER
24	PE050115	1	MEAT PROBE JACK
25	003040-000	1	RACK GUIDE ASSY, LH
26	005312-000	1	BJB SLIMLINE 40 W BULB
27	B20014050	1	PREMIERE BROIL ELEMENT BRACKET FRONT
28	PJ010050	1	SEALED BROIL ELEMENT W/GLASS
29	PM010014	1	SMOKE ELIMINATOR (VDSC)
30	PB020275	1	VENT TUBE

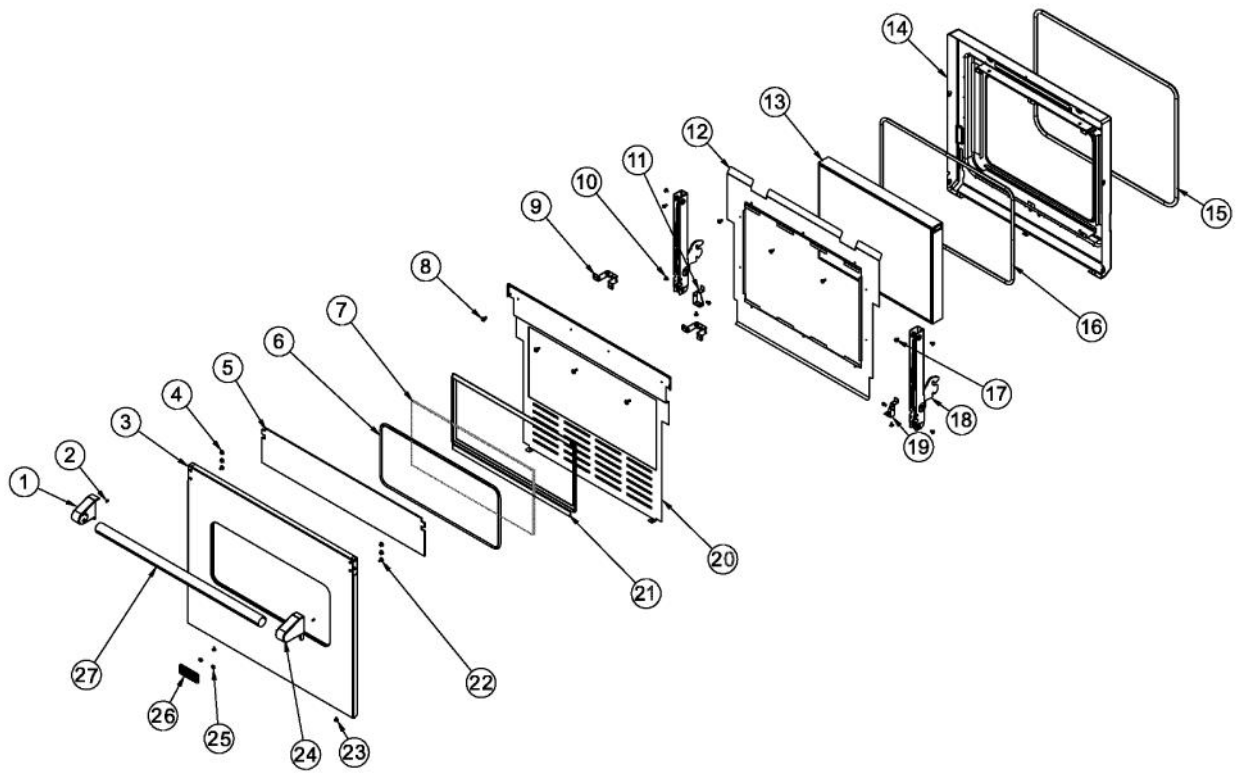




Ref #	Part Number	Qty.	Description
1	025228-000	1	TRIM, TOP, FLUSH, 27?
2	024264-000	1	TRIM,EXTD, TOP, 27
3	PD020032	2	SRW-8(A)X3/8PH.WFR HD 7/16DIAXNICL
4	025521-000	1	TRIM, R, FLUSH
5	024254-000	1	TRIM,EXTD,RH, SGL
6	G30010922	1	BASE MODULE ASSY 27
7	A20012739	2	BASE PAN CORNER BRACE
8	025219-002	1	27 DEFLECTOR, BK
9	024478-000	1	EXTRUSION, 27 FLUSH MOUNT
10	A20012740	2	STIFFENER, BASE PAN
11	024255-000	1	TRIM,EXTD,LH, SGL
12	025522-000	1	TRIM, L, FLUSH

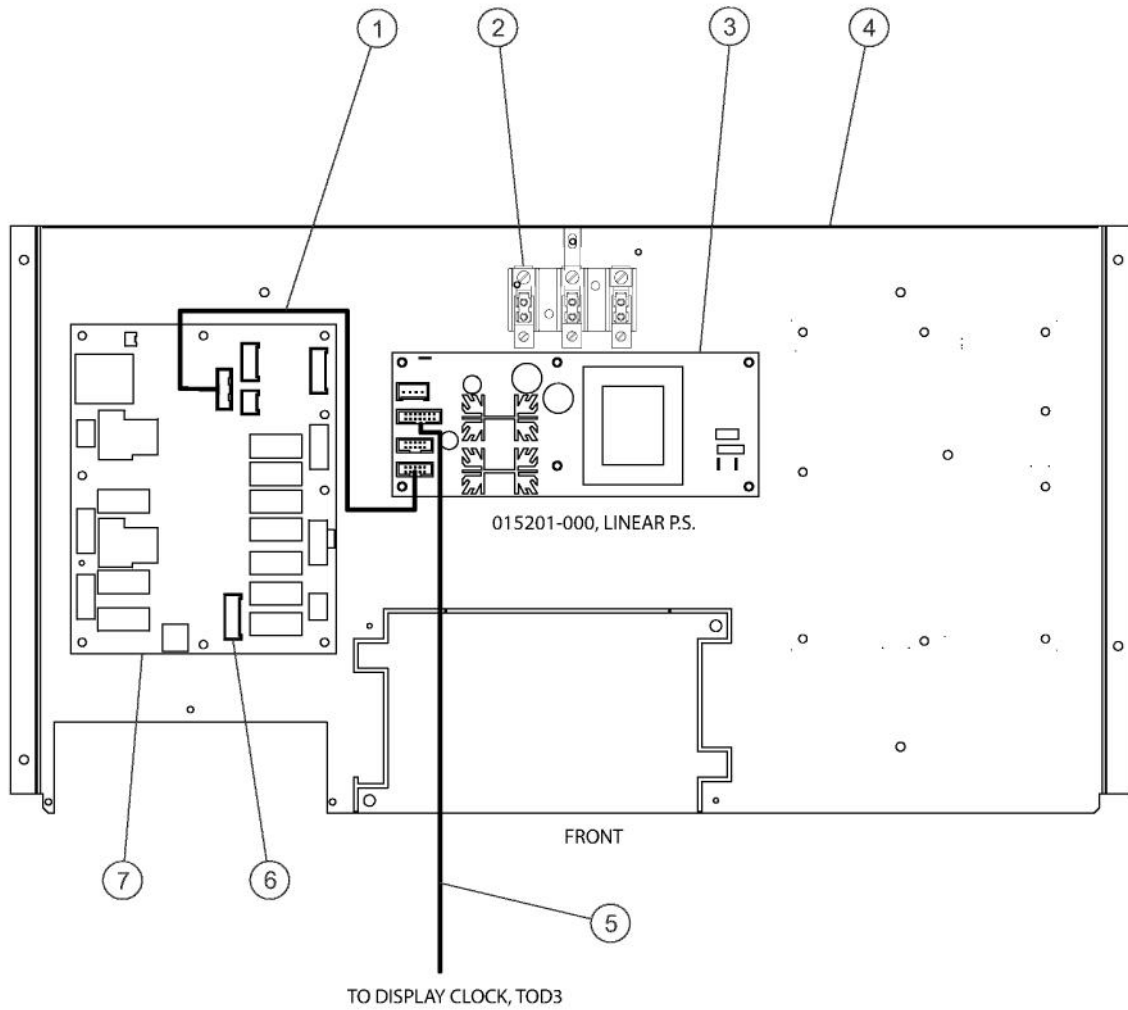


Ref #	Part Number	Qty.	Description
1	025186-000	1	ENDCAP, DOOR HDL, ASM, LH
1	025186-100	1	ENDCAP,DOOR HDL,ASM,LH (BR)
2	003650-000	2	SET SCREW
3	038922-000	1	PRO 27 SVC DOOR SKIN KIT W/LOGO-SS
3	038924-000	1	PRO 27 SVC DOO SKIN KIT W/LOGO-BK
3	038924-006	1	PRO 27 SVC DOOR SKIN KIT W/LOGO-WH
4	004907-000	4	STEEL FINISHING PLUG, NICKEL PLTD 25/64 HOLE
5	025265-000	1	PANEL,INSL,27,DOOR
6	PE060104	1	27 J-MOLD (CHROME) NOT FIELD REPLACEABLE (NOT FIELD REPLACEABLE - MUST ORDER ITEM NO. 3)
7	PE060089	1	27 PROF. OUTER DOOR GLASS (NOT FIELD REPLACEABLE - MUST ORDER ITEM NO. 3)
8	PD020033	4	SRW-NO.10-24X1/2T(23)PH.WFR HD (NKL)
9	024005-000	2	BRACKET
10	PD020063	6	SCREW-NO.8(A) X 3/8PH WFR HD/BK OXID
11	A20012641	1	HINGE SUPPORT LH
12	A20010949	1	PANEL, INSULATION, INNNER DOOR
13	PE060093	1	27 WINDOW PACK
14	G91010942	1	DOOR LINER ASSEMBLY
15	PB070245	1	27 DOOR GASKET
16	017707-000	1	BLACK FIBERGLASS ROPE 3/8
17	PD020004	4	10X3/8PH.HD.TYPE 25 REPL PD040125
18	023798-000	2	HINGE, MANSFIELD, WHITE
19	A20012640	1	HINGE SUPPORT RH
20	PD020002	6	10 X 1/2 PH.TR.HD.SMS.
21	025163-000	1	DOOR SKIN MOUNTING BRACKET
22	025162-000	1	LINER,DOOR,27
23	L20014076	1	27 WINDOW HOLDER NOT FIELD REPLACEABLE (NOT FIELD REPLACEABLE - MUST ORDER ITEM NO. 3)
24	PD020073	2	SRW NO.10 X 24 X 3/8 WAFER HD TYPE23
25	PD020032	2	SRW-8(A)X3/8PH.WFR HD 7/16DIAXNICL
26	025187-000	1	ENDCAP, DOOR HDL, ASM, RH
26	025187-100	1	ENDCAP,DOOR HDL,ASM,RH (BR)
27	PD030006	2	CAPPED WASHER PAL NUT
28	PE010142	1	3 LOGO XBKXXCHROME
28	PE010143	1	3 LOGO BK/BR
28	PB010144	1	KNOB-DUAL INFINITE SWITCH XWHX
28	PB010145	1	KNOB-SINGLE INFINITE SWITCH XBKX
29	025167-000	1	HANDLE, DOOR, 27, SS
NI	025505-000	1	27 DOOR ASM W/ LOGO,
NI	025505-100	1	27 DOOR ASSY WITH LOGO, BR
NI	025505-006	1	DOOR ASSY, 27, W/ LOGO, WH
NI	025505-106	1	DOOR ASSY, 27, W/ LOGO, WH/BR
NI	036913-000	1	27 WALL OVEN DOOR SERVICE KIT (FOR UNITS MANUFACTURED BEFORE 2/14/12



Ref #	Part Number	Qty.	Description
1	025186-000	1	ENDCAP, DOOR HDL, ASM, LH
1	025186-100	1	ENDCAP,DOOR HDL,ASM,LH (BR)
2	003650-000	2	SET SCREW
3	038922-000	1	PRO 27 SVC DOOR SKIN KIT W/LOGO-SS
3	038924-000	1	PRO 27 SVC DOO SKIN KIT W/LOGO-BK
	038924-006	1	PRO 27 SVC DOOR SKIN KIT W/LOGO-WH
4	004907-000	4	STEEL FINISHING PLUG, NICKEL PLTD 25/64 HOLE
5	025265-000	1	PANEL,INSL,27,DOOR
6	PE060104	1	27 J-MOLD (CHROME) NOT FIELD REPLACEABLE (NOT FIELD REPLACEABLE - MUST ORDER ITEM NO. 3)
7	PE060089	1	27 PROF. OUTER DOOR GLASS (NOT FIELD REPLACEABLE - MUST ORDER ITEM NO. 3)
8	PD020032	4	SRW-8(A)X3/8PH.WFR HD 7/16DIAXNICL
9	024005-000	2	BRACKET
10	PD020063	6	SCREW-NO.8(A) X 3/8PH WFR HD/BK OXID
11	031107-000	1	BRACKET, LH SUPPORT
12	A20010949	1	PANEL, INSULATION, INNNER DOOR
13	PE060093	1	27 WINDOW PACK
14	G91010942	1	DOOR LINER ASSEMBLY
15	PB070245	1	27 DOOR GASKET
16	017707-000	1	BLACK FIBERGLASS ROPE 3/8
17	PD020004	4	10X3/8PH.HD.TYPE 25 REPL PD040125
18	023798-000	2	HINGE, MANSFIELD, WHITE
19	031797-000	1	BRACKET, SPRT, RH
20	PD020002	6	10 X 1/2 PH.TR.HD.SMS.
21	025163-000	1	DOOR SKIN MOUNTING BRACKET
22	031617-000	1	RETAINER, INSULATION 27
23	L20014076	1	27 WINDOW HOLDER NOT FIELD REPLACEABLE (NOT FIELD REPLACEABLE - MUST ORDER ITEM NO. 3)
24	PD020073	2	SRW NO.10 X 24 X 3/8 WAFER HD TYPE23
25	PD020032	2	SRW-8(A)X3/8PH.WFR HD 7/16DIAXNICL
26	025187-000	1	ENDCAP, DOOR HDL, ASM, RH
26	025187-100	1	ENDCAP,DOOR HDL,ASM,RH (BR)
27	PD030006	2	CAPPED WASHER PAL NUT
28	PE010142	1	3 LOGO XBKXXCHROME
28	PE010143	1	3 LOGO BK/BR
28	PB010144	1	KNOB-DUAL INFINITE SWITCH XWHX
28	PB010145	1	KNOB-SINGLE INFINITE SWITCH XBKX
29	025167-000	1	HANDLE, DOOR, 27, SS
NI	025505-000	1	27 DOOR ASM W/ LOGO,
NI	025505-100	1	27 DOOR ASSY WITH LOGO, BR
NI	025505-006	1	DOOR ASSY, 27, W/ LOGO, WH
NI	025505-106	1	DOOR ASSY, 27, W/ LOGO, WH/BR

### EOC4 CONTROL BOARD WIRING (TOP VIEW)



Ref #	Part Number	Qty.	Description
1	02440-000	1	RIBBON CABLE
2	PE070147	1	TERMINAL BLOCK
3	015201-000	1	LINEAR POWER SUPPLY
4	025185-000	1	PANEL, CONTROL MOUNTING
5	017047-000	1	TOD2 RIBBON CABLE
6	005292-000	1	MODEL 5 HEADER
7	014000-000	1	EOC4-CONTROL BOARD