

This Owner's Manual is provided and hosted by [Appliance Factory Parts](#).



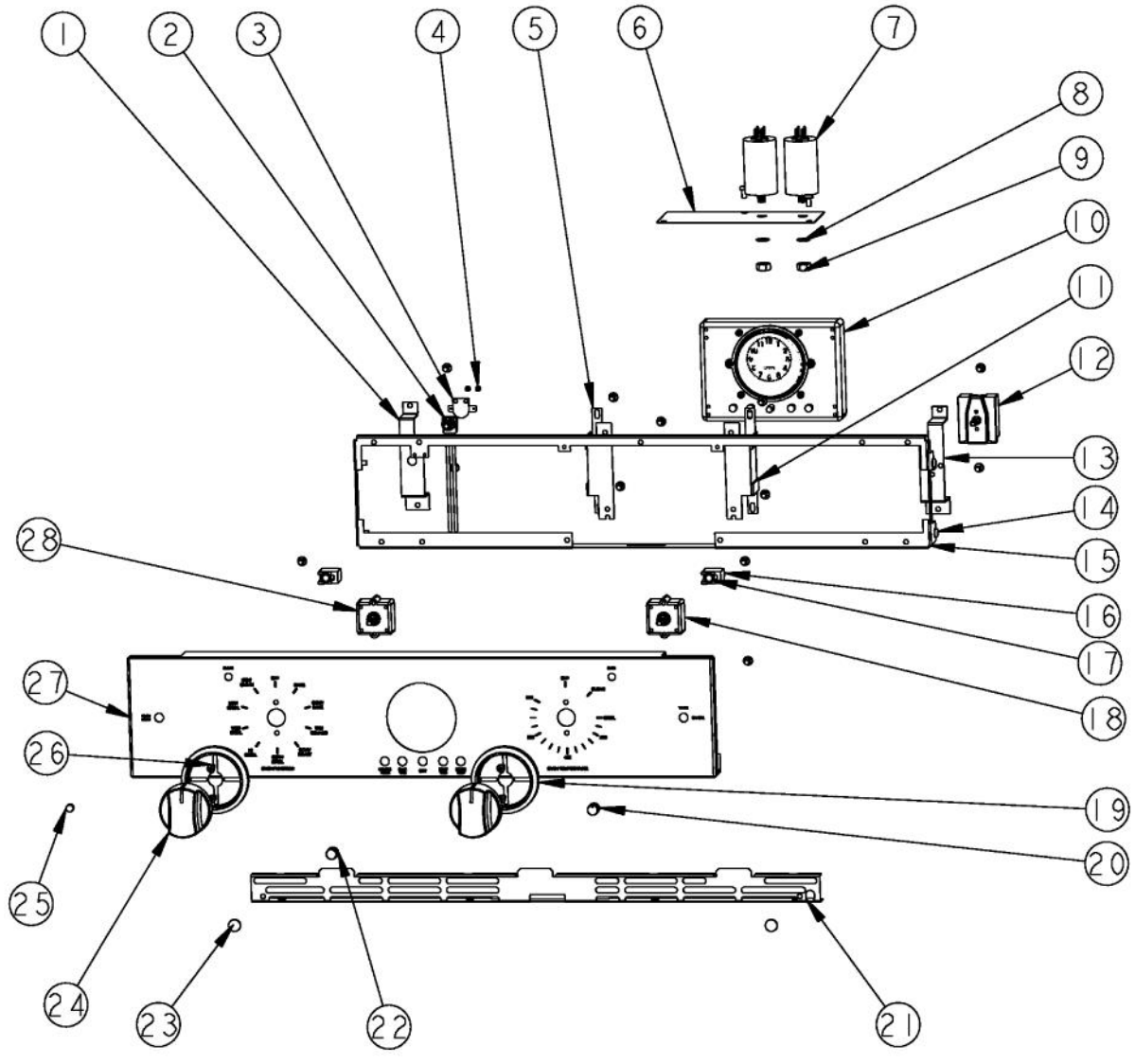
VIKING VESO5271 Owner's Manual

[Shop genuine replacement parts for VIKING VESO5271](#)

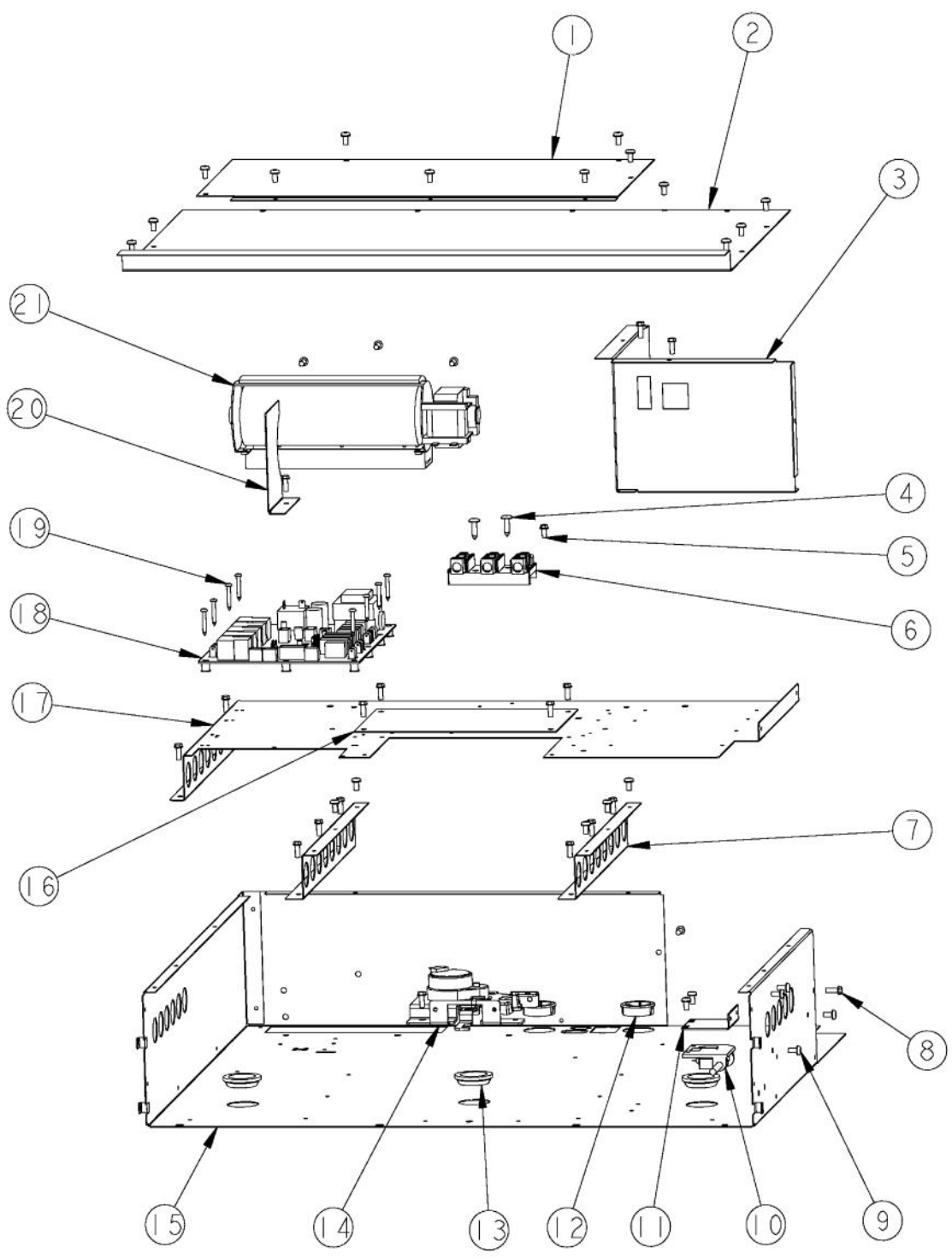


[Find Your VIKING Oven Parts - Select From 98 Models](#)

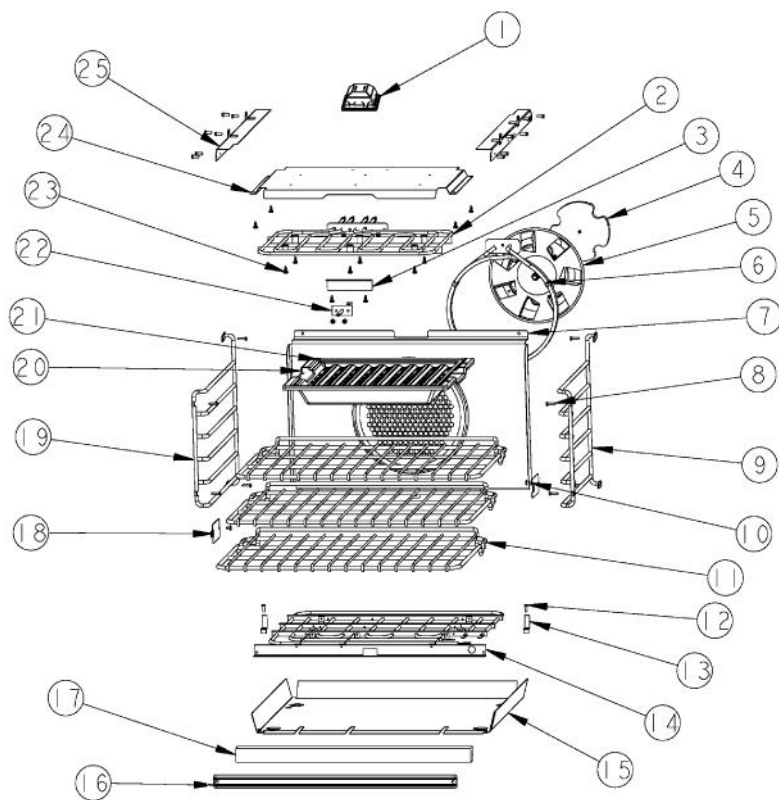
----- Manual continues below -----



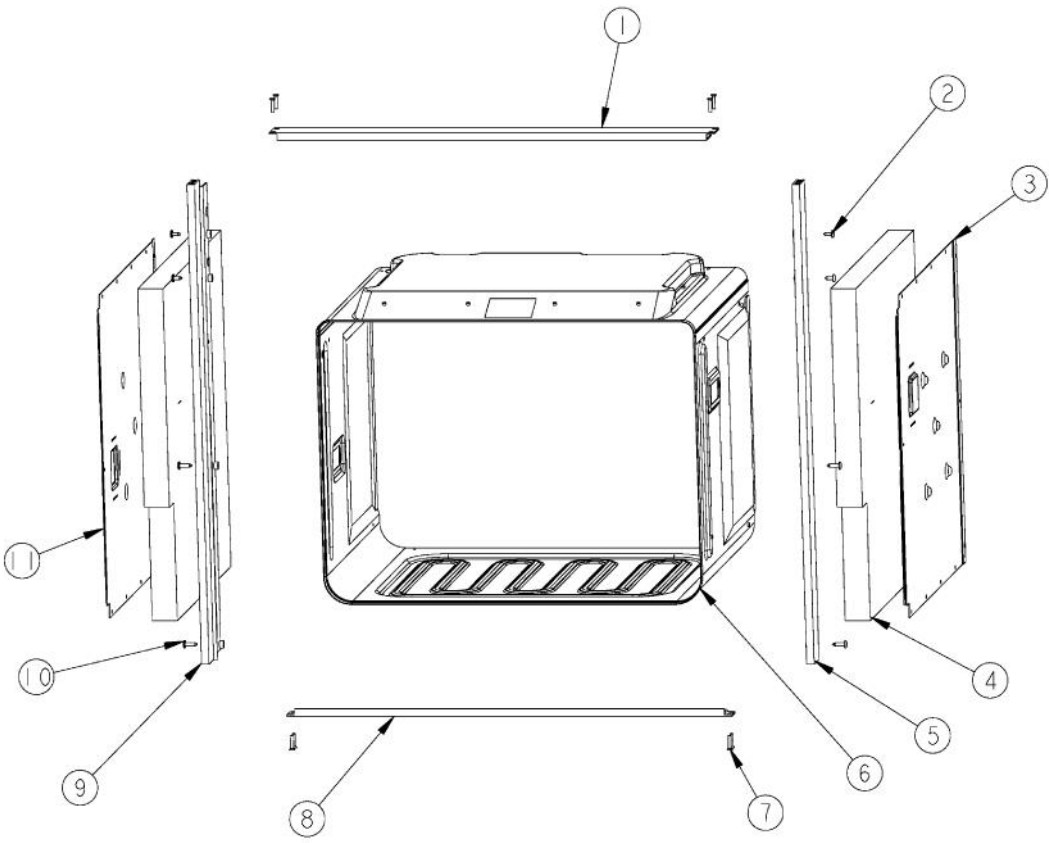
Ref #	Part Number	Qty.	Description
1	009589-000	1	BRACKET, LT
2	PE050076	1	DESIGNER OVEN LIGHT SWITCH
3	PJ030043	1	BI-METAL THERMOSTAT (N.C.) 180 DEGREES
4	PD020013	2	TYPE AB NO.6 X 3/8 PH PAN HD. SMS
5	007671-000	1	BRACKET, CLOCK LEFT
6	A10014028	1	2 CAPACITOR BRACKET
7	PE050247	2	EBM FAN MOTOR CAPACITOR
8	PD040164	2	5/16 INTERNAL TOOTH LOCK WASHER TYPE A
9	PD030172	2	M8 X 1.25MM NUT
10	PE050140	1	ANALOG CLOCK 220V 50/60H
11	007674-000	1	BRACKET, CLOCK RIGHT
12	PJ030040	1	2 POSITION SELECTOR SWITCH
13	009588-000	1	BRACKET, SW
14	PD020004	20	10X3/8PH.HD.TYPE 25 REPL PD040125
15	009600-000	1	MOUNT, PNL
16	PE050072	2	LENS OPENING (250 VOLT)
17	PE050023	2	OVEN IND. LIGHT (LENS & BEZEL)
18	PJ030035	1	THERMOSTAT
19	PB010304	2	KNOB BEZEL
20	PA010192	1	DES. MANUAL TIME KNOB
21	C90014073BK	1	27 INLET GRILL
21	C90014073WH	1	27 INLET GRILLXWHX
22	PB010313	1	DESIGNER BIT GENERATOR KNOB
23	PD040004	2	GROMMET BUMPER
24	PB010305	2	PROF. SELECTOR/THERMOSTAT KNOB
25	PA010093	1	DESIGNER OVEN LT SWITCH KNOB
26	PD020261	4	NO.8-32X1/2 PH PANHEAD MACH. SCREW
27	008117-000	1	27 SINGLE PRO PREMIERE CONTROL PANEL SS
27	008149-000	1	27 SINGLE PRO PREMIERE CONTROL PANEL DECARB
28	PJ030033	1	SELECTOR (10 POS)



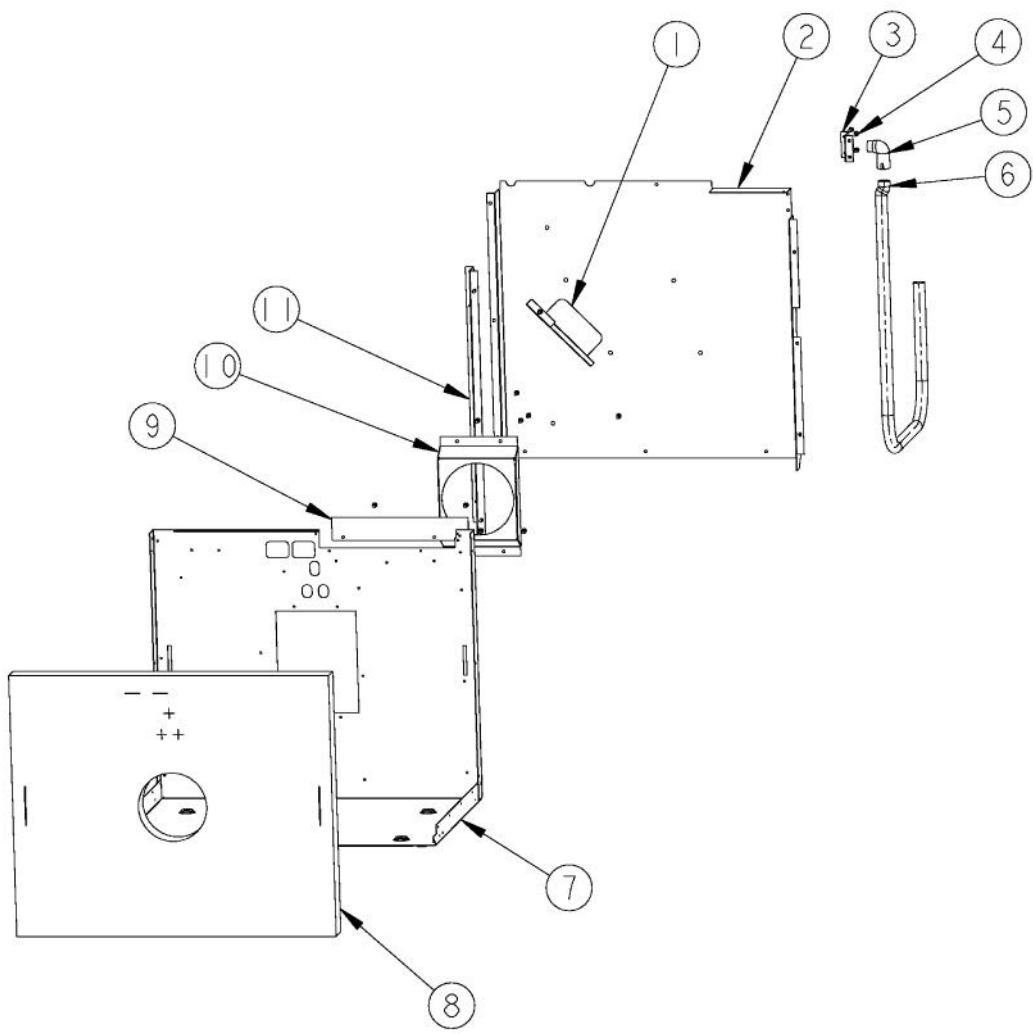
Ref #	Part Number	Qty.	Description
1	A20014047	1	27 REAR COVER
2	A20014046	1	27 FRONT COVER
3	A20010934	1	BRACKET, MODULE PAN
4	PD020014	2	10X3/4 PH TR HD SMS
5	PD020010	1	10 X 3/8 GREEN GROUNDING SCREW
6	PE070147	1	TERMINAL BLOCK
7	A20010910	2	BRACKET, SUPPORT, ELECTRONICS HAT
8	PD020060	25	10 X 1/2 (5/16)HEX WSHR HD.(T)A
9	PD020004	24	10X3/8PH.HD.TYPE 25 REPL PD040125
10	PE050208	1	DOOR SWITCH
11	A20012649	1	DOOR SWITCH BRACKET
12	PD040152	2	SNAP BUSHING
13	PE050210	1	DOOR LATCH
			BEFORE 1/21/09
13	013250-000	1	LATCH,DOOR,ASM,240V,GRIDDLE LOCKOUT USED BETWEEN 1/21/09 -10/31/13
13	039293-000	1	LATCH, ELEC, 240V, ASSY AFTER 10/31/13
14	PB070079	3	SILICONE EXTRUSION (DGSU)
15	NOT REPLACEABLE	N/A	OVEN CAVITY (NOT REPLACEABLE PART)
16	A10010911	1	COVER, LATCH
17	A20010935	1	ELECTRONICS HAT
18	PE070631	1	CONTROL BOARD
19	PD020185	8	NO.6 X 1 PAN HEAD SCREW
20	A2009667	1	REAR AIR DIVIDER
21	PE050228	1	PREMIUM BLOWER



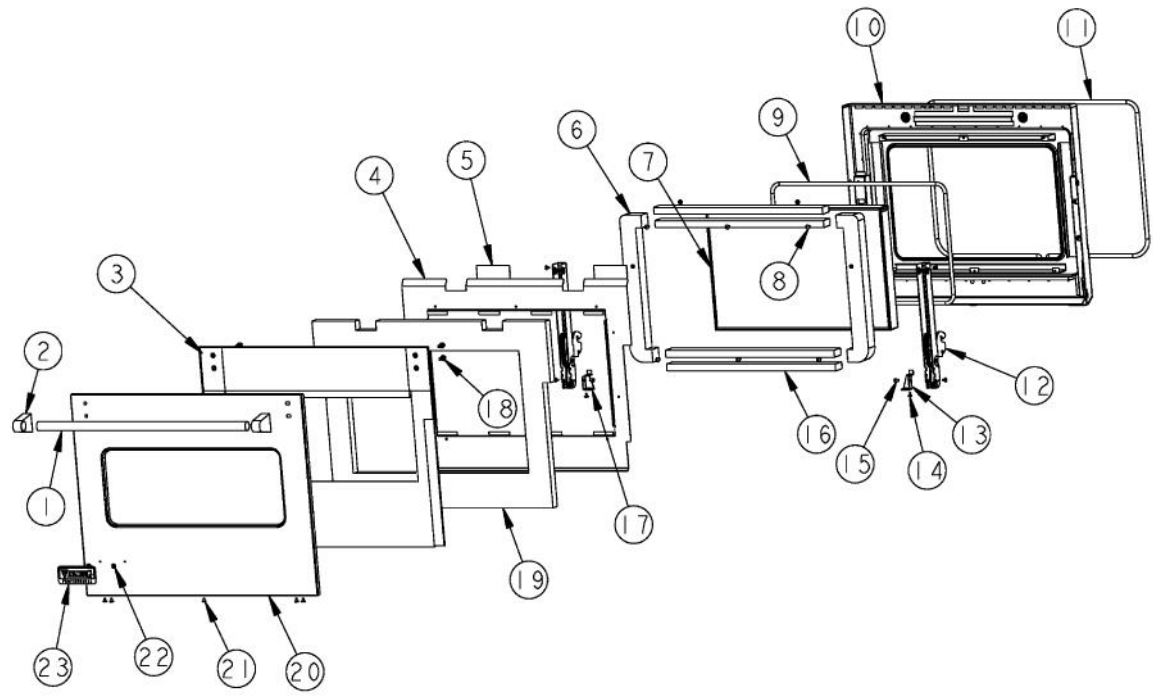
Ref #	Part Number	Qty.	Description
1	PE050239	1	HALOGEN LAMP
2	PJ010049	1	BROIL ELEMENT
3	A20014044	1	BROIL ELEMENT SHIELD
4	PB070312	1	CONVECTION MOTOR MTG. PLATE INSULATION
5	G32014020	1	CONVECTION FAN ASSY
6	PJ010047	1	CONVECTION ELEMENT
7	G91013597	1	27 BAFFLE ASSEMBLY
8	PD020232	8	NO.8 X 3/4 PH PAN HEAD TEK SCREW (BLACK OXIDE)
9	PB060103	1	RACK SUPPORT RH
10	PD020063	2	SCREW-NO.8(A) X 3/8PH WFR HD/BK OXID
11	PB060105	3	27 OVEN RACK
12	PD020060	14	10 X 1/2 (5/16)HEX WSHR HD.(T)A
13	A2009696	2	HOLDER, BAKE ELEMENT
14	PJ010048	1	BAKE ELEMENT
15	A20010932	1	ELEMENT, MTG TRAY
16	E2109655	1	COVER, BAKE TRAY
17	PB070309	1	BAKE ELEMENT INSULATION
18	E91012614	2	LIGHT HOLE COVER
19	PB060104	1	RACK SUPPORT LH
20	E9107933	1	BROILER PAN
21	E9107934	1	BROILER PAN INSERT
22	PE050206	1	RTD THERMOSTAT PROBE
23	PD020055	16	NO.10 X 1/2 PAN PHIL. TEK. SS
24	A20014021	1	REFLECTOR, BROIL
25	A2009641	2	BRKT, TOP WRAPPER



Ref #	Part Number	Qty.	Description
1	PE040271	1	27 PROF. TOP TRIM
2	PD020002	4	10 X 1/2 PH.TR.HD.SMS.
3	A2009622	1	BRKT, TOP WRAPPER, RIGHT
4	PB070302	2	SIDE INSULATION
5	PE040275	1	PROF. SINGLE SIDE TRIM RH
6	NOT REPLACEABLE	N/A	OVEN CAVITY (NOT REPLACEABLE PART)
7	PD020170	8	NO.6-32 X 1/2 PHILLIPS C.S. TYPE F SCREW
8	PE040272	1	27 PROF. BOTTOM TRIM
9	PE040276	1	PROF. SINGLE SIDE TRIM LH
10	PD020014	4	10X3/4 PH TR HD SMS
11	A20012650	1	BRKT, TOP WRAPPER LEFT



Ref #	Part Number	Qty.	Description
1	A20014052	1	WIRE SHIELD
2	A20010937	1	PANEL, REAR 27
3	A2009671	1	BRACKET, POWER CABLE
4	PD020060	22	10 X 1/2 (5/16)HEX WSHR HD.(T)A
5	PB040070	1	CONDUIT FITTING (90 DEG)
6	PB020071	1	CONDUIT - FLEXIBLE (48)
7	NOT REPLACEABLE	N/A	OVEN CAVITY (NOT REPLACEABLE PART)
8	PB070301	1	27 BACK INSULATION
9	A10010907	1	COVER, BLOWER
10	A2009697	2	BRACKET, CONVECTION INSULATION
11	A2009666	1	AIR CHANNEL



Ref #	Part Number	Qty.	Description
1	PE030178	1	27 PROF. DOOR HANDLE
	PE030178PVD	1	27 PROF. DOOR HANDLE XPVDX
2	PE030001	2	BRACKET, DOOR, HANDLE
	PE030001PVD	2	END CAP DOOR HANDLE XBR
3	001501-000	1	PRO 27" INSULATION RETAINER KIT (AFTER 7-17-06)
4	A20010949	1	PANEL, INSULATION, INNNER DOOR
5	PB070336	1	DOOR BRACKET INSULATION
6	PB070271	6	DOOR PLUG INSULATION
7	PE060093	1	27 WINDOW PACK
8	PD020002	8	10 X 1/2 PH.TR.HD.SMS.
9	000594-000	1	BLACK FIBERGLASS ROPE 3/8
10	G91010942	1	DOOR LINER ASSEMBLY
11	PB070245	1	27 DOOR GASKET
12	PC020248	2	DOOR HINGE
13	A20012640	1	HINGE SUPPORT RH
14	PD020063	2	SCREW-NO.8(A) X 3/8PH WFR HD/BK OXID
15	PD020004	6	10X3/8PH.HD.TYPE 25 REPL PD040125
16	PB070273	4	27 WINDOW PACK INSULATION
17	A20012641	1	HINGE SUPPORT LH
18	PD020186	4	1/4-20 X 3/4 HEX WASHER HEAD MS
19	PB070276	1	27 DOOR INSULATION
20	PS500014AL	1	27 PRO DOOR SKIN SERVICE KIT W/LOGO AFTER 07/17/06 -...
	PS500014ALBR	1	27 PRO DOOR SKIN SERVICE KIT W/LOGO AFTER 07/17/06 -...
	PS500014BK	1	27 PRO DOOR SKIN SERVICE KIT W/LOGO AFTER 07/17/06 -...
	PS500014BKBR	1	27 PRO DOOR SKIN SERVICE KIT W/LOGO AFTER 07/17/06 -...
	PS500014BT	1	27 PRO DOOR SKIN SERVICE KIT W/LOGO AFTER 07/17/06 -...
	PS500014BTBR	1	27 PRO DOOR SKIN SERVICE KIT W/LOGO AFTER 07/17/06 -...
	PS500014BU	1	27 PRO DOOR SKIN SERVICE KIT W/LOGO AFTER 07/17/06 -...
	PS500014BUBR	1	27 PRO DOOR SKIN SERVICE KIT W/LOGO AFTER 07/17/06 -...
	PS500014CB	1	27 PRO DOOR SKIN SERVICE KIT W/LOGO AFTER 07/17/06 -...
	PS500014CBBR	1	27 PRO DOOR SKIN SERVICE KIT W/LOGO AFTER 07/17/06 -...
	PS500014EP	1	27 PRO DOOR SKIN SERVICE KIT W/LOGO AFTER 07/17/06 -...
	PS500014EPBR	1	27 PRO DOOR SKIN SERVICE KIT W/LOGO AFTER 07/17/06 -...
	PS500014FG	1	27 PRO DOOR SKIN SERVICE KIT W/LOGO AFTER 07/17/06 -...
	PS500014FGBR	1	27 PRO DOOR SKIN SERVICE KIT W/LOGO AFTER 07/17/06 -...
	PS500014GG	1	27 PRO DOOR SKIN SERVICE KIT W/LOGO AFTER 07/17/06 -...
	PS500014GGBR	1	27 PRO DOOR SKIN SERVICE KIT W/LOGO AFTER 07/17/06 -...
	PS500014LE	1	27 PRO DOOR SKIN SERVICE KIT W/LOGO AFTER 07/17/06 -...
	PS500014LEBR	1	27 PRO DOOR SKIN SERVICE KIT W/LOGO AFTER 07/17/06 -...
	PS500014MJ	1	27 PRO DOOR SKIN SERVICE KIT W/LOGO AFTER 07/17/06 -...
	PS500014MJBR	1	27 PRO DOOR SKIN SERVICE KIT W/LOGO AFTER 07/17/06 -...
	PS500014SG	1	27 PRO DOOR SKIN SERVICE KIT W/LOGO AFTER 07/17/06 -...
	PS500014SGBR	1	27 PRO DOOR SKIN SERVICE KIT W/LOGO AFTER 07/17/06 -...
	PS500014SS	1	27 PRO DOOR SKIN SERVICE KIT W/LOGO AFTER 07/17/06 -...
	PS500014SSBR	1	27 PRO DOOR SKIN SERVICE KIT W/LOGO AFTER 07/17/06 -...
	PS500014VB	1	27 PRO DOOR SKIN SERVICE KIT W/LOGO AFTER 07/17/06 -...
	PS500014VBBR	1	27 PRO DOOR SKIN SERVICE KIT W/LOGO AFTER 07/17/06 -...
	PS500014WH	1	27 PRO DOOR SKIN SERVICE KIT W/LOGO AFTER 07/17/06 -...
	PS500014WHBR	1	27 PRO DOOR SKIN SERVICE KIT W/LOGO AFTER 07/17/06 -...
21	PD020032	5	SRW-8(A)X3/8PH.WFR HD 7/16DIAXNICL
22	PD030006	2	CAPPED WASHER PAL NUT
23	PE010016	1	NAMEPLATE, LOGO, PRO
	PE010017	1	LOGO (VGSO,VEDO,VGDO,VUD) XWH/CHR
	PE010079	1	4.5 LOGO/VIKING PROF, BK/BR
	PE010080	1	4.5 LOGO/VIKING PROF XWH/BR
NI	G32012719AL	1	27 DOOR ASSY W/LOGO XALX
	G32012719ALBR	1	27 DOOR ASSY W/LOGO XALBRX
	G32012719BK	1	27 DOOR ASSY W/LOGO XBKX
	G32012719BKBR	1	27 DOOR ASSY W/LOGO XBKBRX
	G32012719BT	1	27 DOOR ASSY W/LOGO XBTX

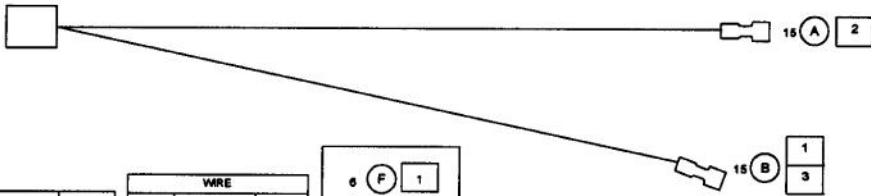
Ref #	Part Number	Qty.	Description
	G32012719BT	1	27 DOOR ASSY W/LOGO XBTX
	G32012719BTBR	1	27 DOOR ASSY W/LOGO XBTBRX
	G32012719BU	1	27 DOOR ASSY W/LOGO XBUX
	G32012719BUBR	1	27 DOOR ASSY W/LOGO XBUBRX
	G32012719CB	1	27 DOOR ASSY W/LOGO XCBX
	G32012719CBBR	1	27 DOOR ASSY W/LOGO XCBBRX
	G32012719EP	1	27 DOOR ASSY W/LOGO XEPX
	G32012719EPBR	1	27 DOOR ASSY W/LOGO XEPBRX
	G32012719FG	1	27 DOOR ASSY W/LOGO XFGX
	G32012719FGBR	1	27 DOOR ASSY W/LOGO XFGBRX
	G32012719GG	1	27 DOOR ASSY W/LOGO XGGX
	G32012719GGBR	1	27 DOOR ASSY W/LOGO XGGBRX
	G32012719LE	1	27 DOOR ASSY W/LOGO XLEX
	G32012719LEBR	1	27 DOOR ASSY W/LOGO XLEBRX
	G32012719MJ	1	27 DOOR ASSY W/LOGO XMJX
	G32012719MJBR	1	27 DOOR ASSY W/LOGO XMJBRX
	G32012719SG	1	27 DOOR ASSY W/LOGO XSGX
	G32012719SGBR	1	27 DOOR ASSY W/LOGO XSGBRX
	G32012719SS	1	27 DOOR ASSY W/LOGO
	G32012719SSBR	1	27 DOOR ASSY W/LOGO XSSBRX
	G32012719VB	1	27 DOOR ASSY W/LOGO XVBX
	G32012719VBBR	1	27 DOOR ASSY W/LOGO XVBBRX
	G32012719WH	1	27 DOOR ASSY W/LOGO XWHX
	G32012719WHBR	1	27 DOOR ASSY W/LOGO XWHBRX

1

3 POSITION CONNECTOR

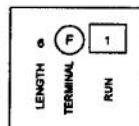
1 2 3
1 2 3

WIRE INSERTION VIEW



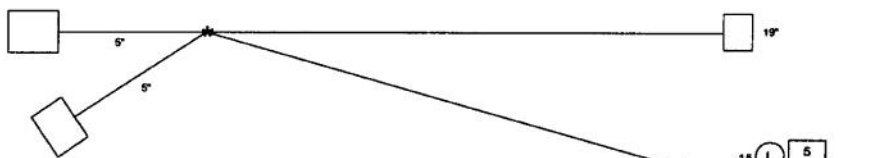
TERMINALS					
CODE	TYPE	SIZE	INSULATED	MATERIAL	COLOR
A	STRAIGHT	0.25	YES	STEEL	RED
B	STRAIGHT	0.25	YES	STEEL	BLUE

WIRE		
RUN	COLOR	GAGE
1	ORANGE	18
2	BLUE	18
3	ORANGE	18

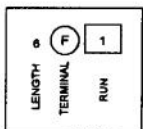


2

9 POSITION MATE & LOCK CONNECTOR



4 POSITION MATE & LOCK CONNECTOR



TERMINALS					
CODE	TYPE	SIZE	INSULATED	MATERIAL	
A	STRAIGHT	0.25	YES	STEEL	
B	STRAIGHT	0.25	KYNAR	STEEL	
C	STRAIGHT	0.187	YES	STEEL	
D	FLAG	0.25	YES	STEEL	
F	FLAG	0.187	YES	STEEL	
G	STRAIGHT	0.25	NO	STEEL	
H	RING	0.25	NO	STEEL	
I	PIGGYBACK	0.25	YES	STEEL	

WIRE		
RUN	COLOR	GAGE
1	BLACK	18
2	WHITE	18
3	RED	18
4	GREEN	18
5	BLACK	18
6	YELLOW	18

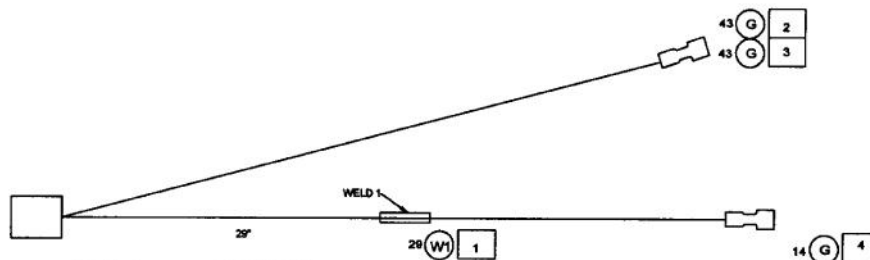
* = WIRE TIE LOCATION

3

3 POSITION CONNECTOR

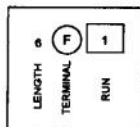
1 2 3
1 2 3

WIRE INSERTION VIEW

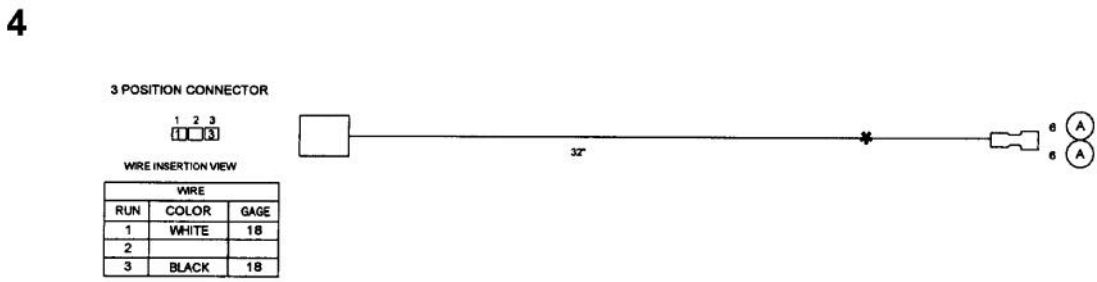
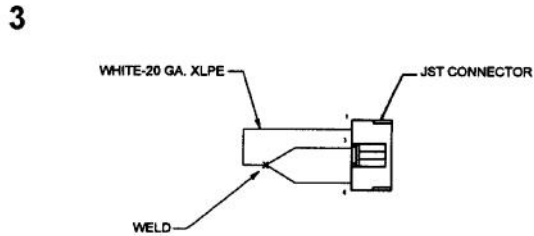
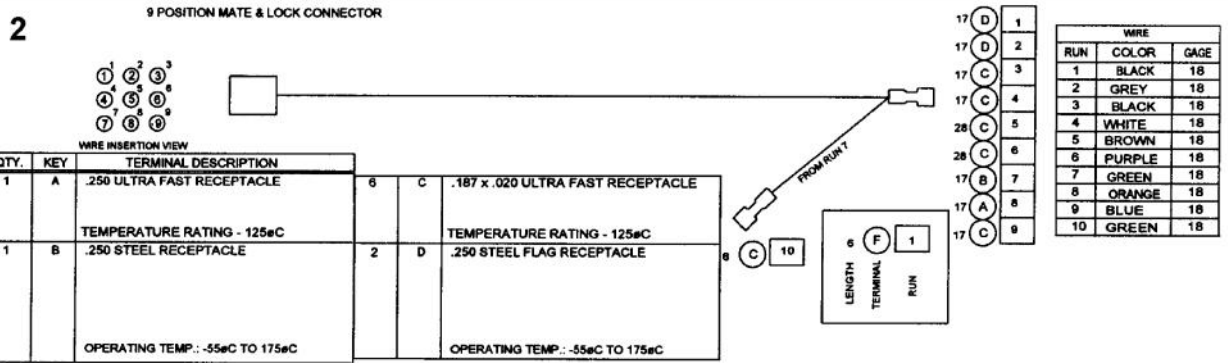
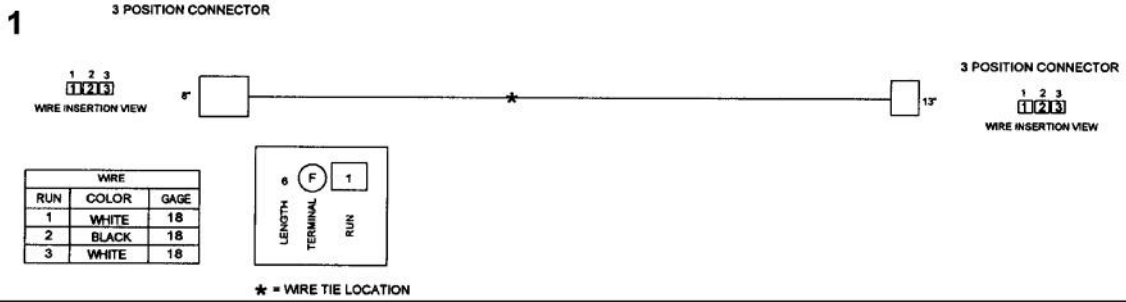


TERMINALS					
CODE	TYPE	SIZE	INSULATED	MATERIAL	
A	STRAIGHT	0.25	YES	STEEL	
B	STRAIGHT	0.25	KYNAR	STEEL	
C	STRAIGHT	0.187	YES	STEEL	
D	FLAG	0.25	YES	STEEL	
F	FLAG	0.187	YES	STEEL	
G	STRAIGHT	0.25	NO	STEEL	
H	RING	0.25	NO	STEEL	
W	WELD / SPLICE				

WIRE		
RUN	COLOR	GAGE
1	WHITE	14
2	WHITE	18
3	WHITE	18
4	WHITE	18
5	WHITE	18

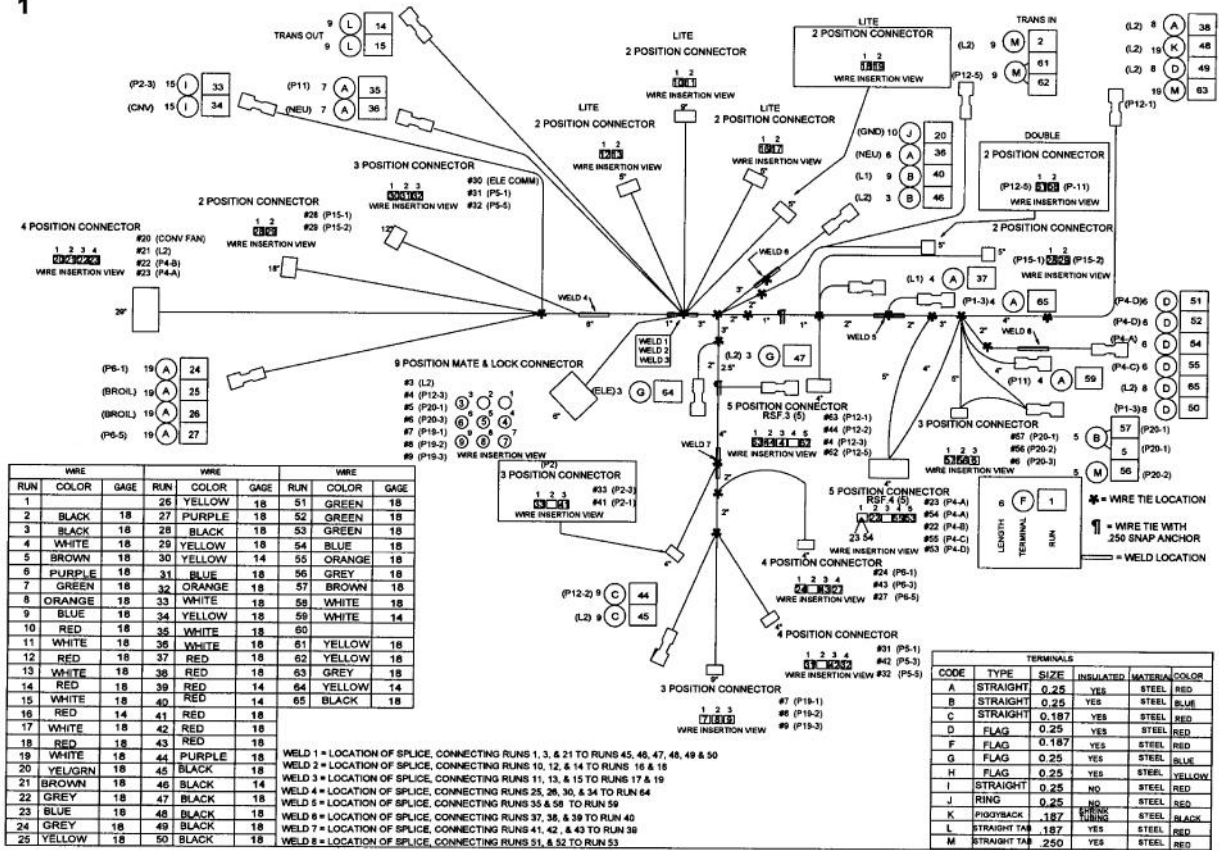


Ref #	Part Number	Qty.	Description
1	PE070743	1	SINGLE CLOCK HARNESS
2	PE070754	1	TEST HARNESS SINGLE
3	PE070739	1	BAKE ELEMENT HARNESS
NI	G4005496	1	SUPPLY WIRE - 100 BK 10GA SO/DO
NI	G4005497	1	SUPPLY WIRE - 100 GREEN 10GA SO/DO
NI	G4005499	1	SUPPLY WIRE - 100 RED 10GA SO/DO
NI	G4005494	1	SUPPLY WIRE - 75 WH 12 GA SO/DO



Ref #	Part Number	Qty.	Description
1	PE070738	1	T/STAT-SEL HARNESS
2	PE070733	1	UPPER LATCH HARNESS
3	PE070734	1	SINGLE OVEN HEADER
4	PE070735	1	MEAT PROBE HARNESS

1



WIRE	WIRE	WIRE	WIRE	WIRE	WIRE	WIRE	WIRE	
RUN	COLOR	GAGE	RUN	COLOR	GAGE	RUN	COLOR	GAGE
1			25	YELLOW	18	51	GREEN	18
2	BLACK	18	27	PURPLE	18	52	GREEN	18
3	BLACK	18	28	BLACK	18	53	GREEN	18
4	WHITE	18	29	YELLOW	18	54	BLUE	18
5	BROWN	18	30	YELLOW	14	55	ORANGE	18
6	PURPLE	18	31	BLUE	18	56	GREY	18
7	GREEN	18	32	ORANGE	18	57	BROWN	18
8	ORANGE	18	33	WHITE	18	58	WHITE	18
9	BLUE	18	34	YELLOW	18	59	WHITE	14
10	RED	18	35	WHITE	18	60		
11	WHITE	18	36	WHITE	18	61	YELLOW	18
12	RED	18	37	RED	18	62	YELLOW	18
13	WHITE	18	38	RED	18	63	GREY	18
14	RED	18	39	RED	14	64	YELLOW	14
15	WHITE	18	40	RED	14	65	BLACK	18
16	RED	14	41	RED	18			
17	WHITE	18	42	RED	18			
18	RED	18	43	RED	18			
19	WHITE	18	44	PURPLE	18			
20	YELLOW	18	45	BLACK	18			
21	BROWN	18	46	BLACK	14			
22	GREY	18	47	BLACK	18			
23	BLUE	18	48	BLACK	18			
24	GREY	18	49	BLACK	18			
25	YELLOW	18	50	BLACK	18			

WELD 1 = LOCATION OF SPLICE, CONNECTING RUNS 1, 3, & 21 TO RUNS 45, 46, 47, 48, 49 & 50
 WELD 2 = LOCATION OF SPLICE, CONNECTING RUNS 11, 13, & 14 TO RUNS 16 & 18
 WELD 3 = LOCATION OF SPLICE, CONNECTING RUNS 25, 26, 30, & 34 TO RUN 64
 WELD 4 = LOCATION OF SPLICE, CONNECTING RUNS 35 & 58 TO RUN 59
 WELD 5 = LOCATION OF SPLICE, CONNECTING RUNS 37, 38, & 39 TO RUN 40
 WELD 6 = LOCATION OF SPLICE, CONNECTING RUNS 41, 42, & 43 TO RUN 38
 WELD 7 = LOCATION OF SPLICE, CONNECTING RUNS 51, & 52 TO RUN 53

CODE	TYPE	SIZE	INSULATED	MATERIAL	COLOR
A	STRAIGHT	0.25	YES	STEEL	RED
B	STRAIGHT	0.25	YES	STEEL	BLUE
C	STRAIGHT	0.187	YES	STEEL	RED
D	FLAG	0.25	YES	STEEL	RED
F	FLAG	0.187	YES	STEEL	RED
G	FLAG	0.25	YES	STEEL	BLUE
H	FLAG	0.25	YES	STEEL	YELLOW
I	STRAIGHT	0.25	NO	STEEL	RED
J	RING	0.25	NO	STEEL	RED
K	PIGGYBACK	187	NO	STEEL	BLACK
L	STRAIGHT TAB	187	YES	STEEL	RED
M	STRAIGHT TAB	250	YES	STEEL	RED

Ref #	Part Number	Qty.	Description
1	PE070742	1	UPPER CONTROL HARNESS