

This Owner's Manual is provided and hosted by [Appliance Factory Parts](#).



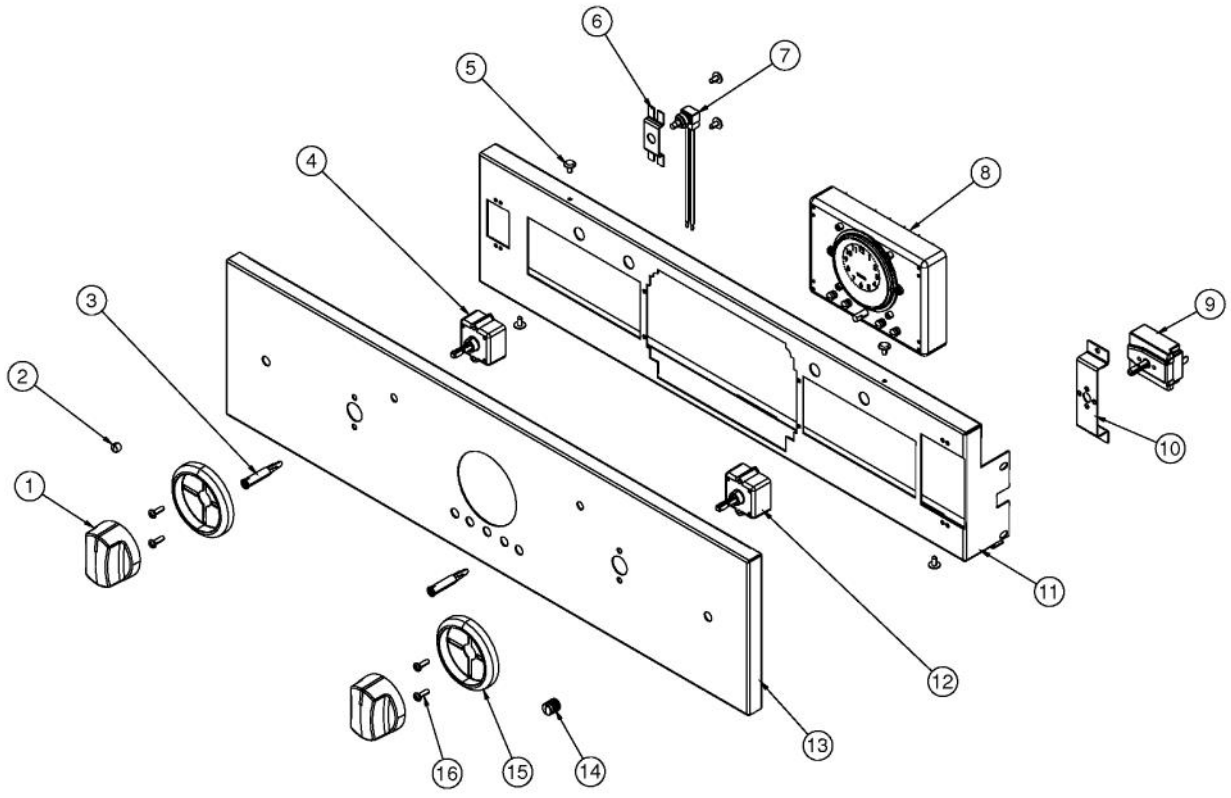
# VIKING VESO5272 Owner's Manual

[Shop genuine replacement parts for VIKING VESO5272](#)

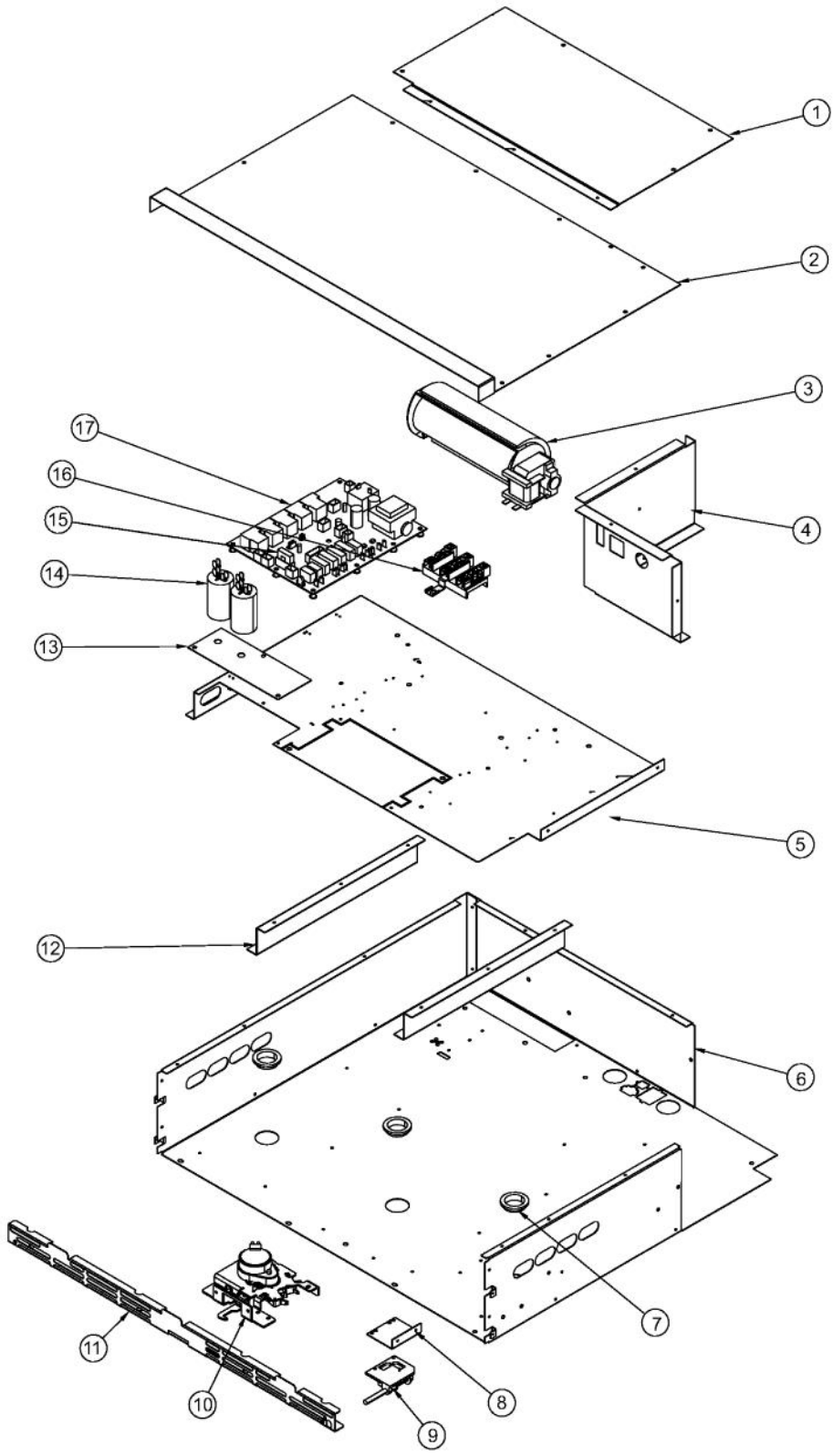


[Find Your VIKING Oven Parts - Select From 98 Models](#)

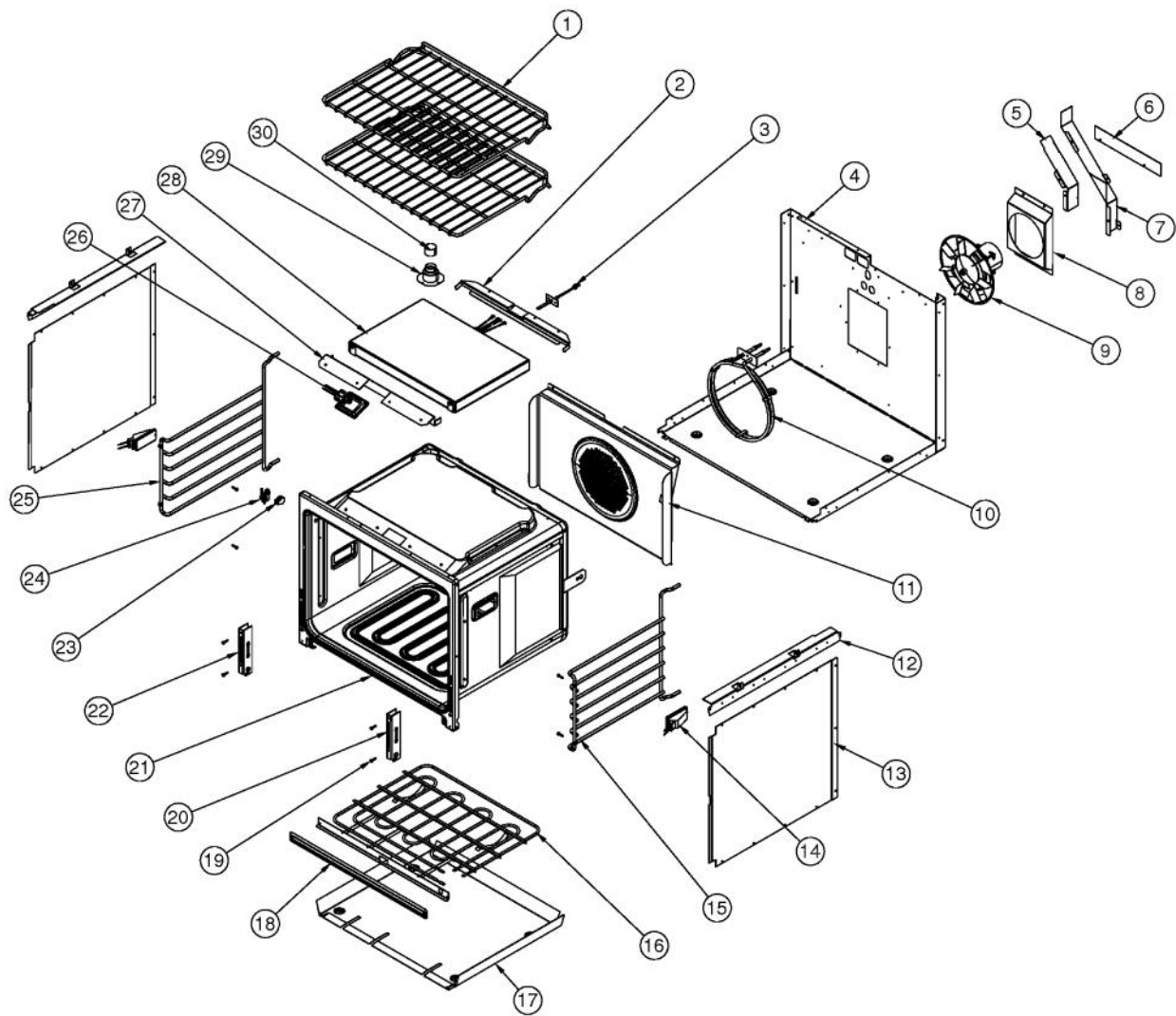
----- Manual continues below -----



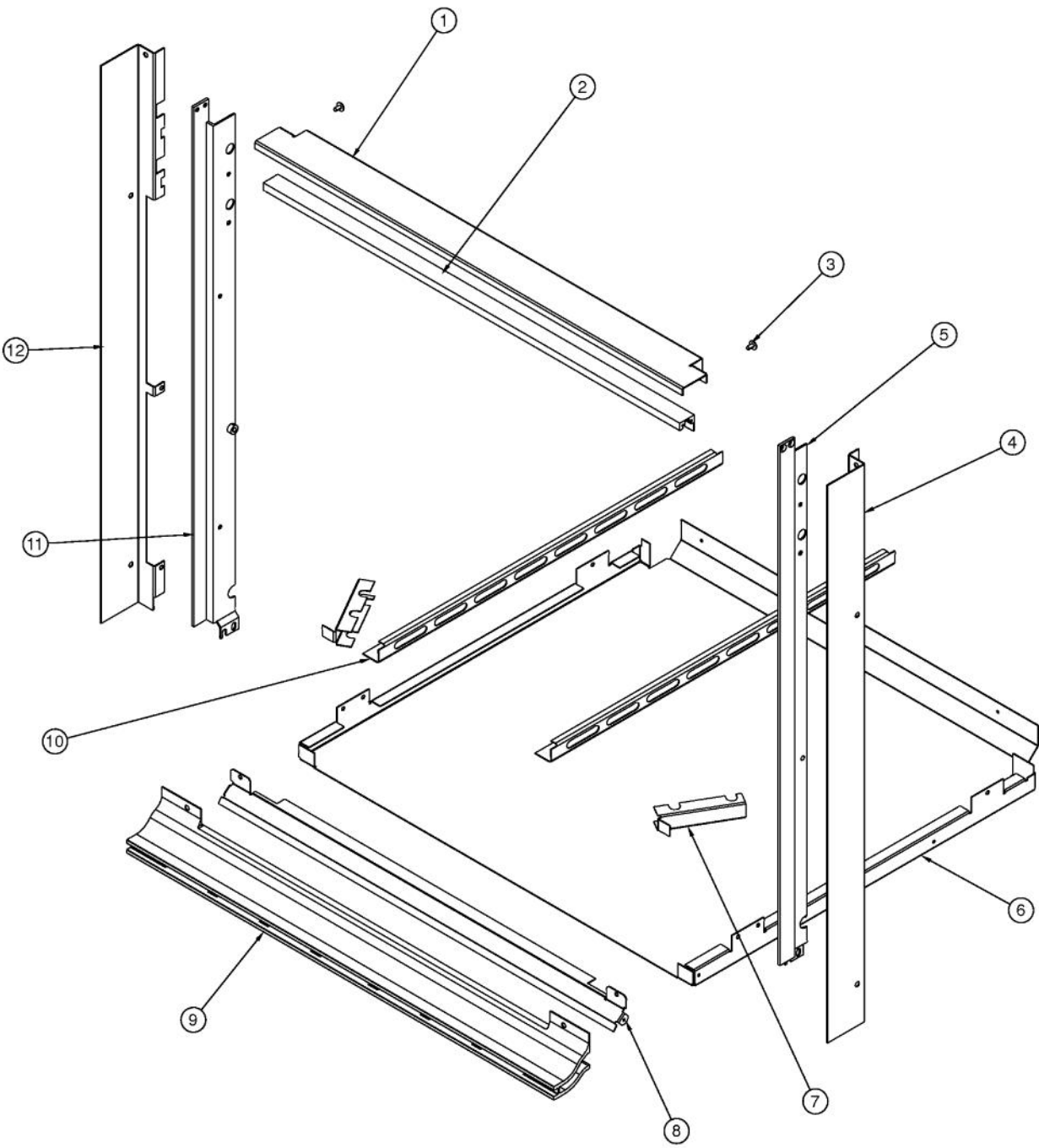
Ref #	Part Number	Qty.	Description
1	015662-000	2	KNOB, OVEN ASM, SS
2	PA010093	1	DESIGNER OVEN LT SWITCH KNOB
3	015043-000	2	INDICATOR, LIGHT, BLUE LED
4	PJ030033	1	SELECTOR (10 POS)
5	PD020032	6	SRW-8(A)X3/8PH.WFR HD 7/16DIAXNICL
6	024810-000	1	BRACKET, LIGHT SW
7	PE050076	1	DESIGNER OVEN LIGHT SWITCH
8	PE050140	1	ANALOG CLOCK 220V 50/60H
9	PJ030040	1	2 POSITION SELECTOR SWITCH
10	025142-000	1	BRACKET, SEL, SINGLE
11	025185-000	1	PANEL, CONTROL MOUNTING
12	PJ030035	1	THERMOSTAT
13	025198-2300	1	27 SNGL SELECT CTRL PANEL W/GRAPHICS
14	PA010192	1	DES. MANUAL TIME KNOB
15	PB010304	2	KNOB BEZEL
15	PB010304PVD	2	RESTYLE KNOB BEZEL, BR
16	PD020261	4	NO.8-32X1/2 PH PANHEAD MACH. SCREW



Ref #	Part Number	Qty.	Description
1	A20014047	1	27 REAR COVER
2	025221-000	1	PANEL,CVR, TOP, FR, 27
3	PE050250	1	PREMIUM BLOWER WITH HES
4	A20010934	1	BRACKET, MODULE PAN
5	A20010935	1	ELECTRONICS HAT
6	A20010933	1	MODULE PAN 27
7	PB070079	3	SILICONE EXTRUSION (DGSU)
8	A20012649	1	DOOR SWITCH BRACKET
9	PE050208	1	DOOR SWITCH
10	013250-000	1	LATCH,DOOR,ASM,240V,GRIDDLE LOCKOUT BEFORE 10/31/13
10	039293-000	1	LATCH, ELEC, 240V, ASSY AFTER 10/31/13
11	C90014073BK	1	27 INLET GRILL
12	A20010910	2	BRACKET, SUPPORT, ELECTRONICS HAT
13	A10014028	1	2 CAPACITOR BRACKET
14	PE050247	2	EBM FAN MOTOR CAPACITOR
15	PE070734	1	SINGLE OVEN HEADER
16	PE070147	1	TERMINAL BLOCK
17	000621-000	1	SUB TO 002406-000 - CONTROL BOARD

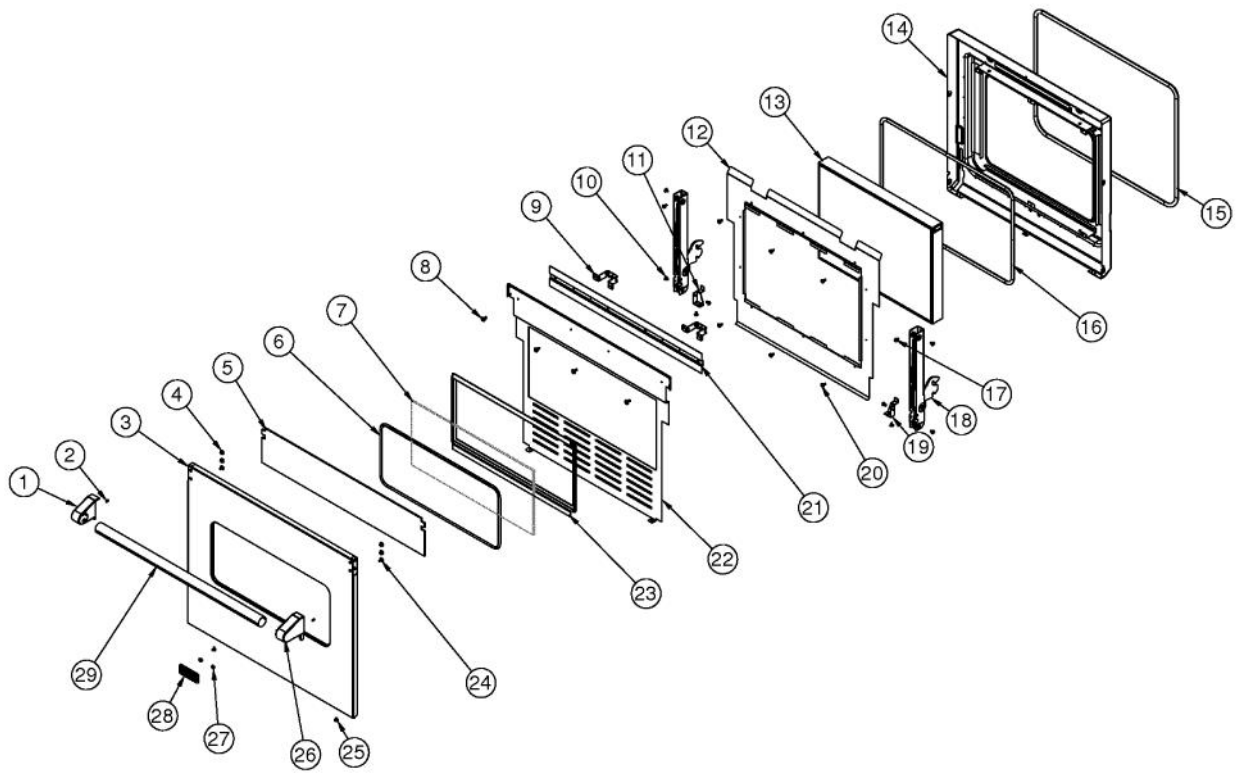


Ref #	Part Number	Qty.	Description
1	PB060105	2	27 OVEN RACK
2	B20014051	1	PREMIERE BROIL ELEMENT BRACKET REAR
3	PE050206	1	RTD THERMOSTAT PROBE
4	A20010931	1	BASE, BACK WRAPPER, 27
5	A21010919	1	BRACKET, AIR, CONVECTION MOTOR
6	A10010907	1	COVER, BLOWER
7	A21010918	1	BRACKET, AIR, CONVECTION MOTOR
8	A2009697	1	BRACKET, CONVECTION INSULATION
9	G32014020	1	CONVECTION FAN ASSY
10	PJ010047	1	CONVECTION ELEMENT
11	G91013597	1	27 BAFFLE ASSEMBLY
12	A2009641	2	BRKT, TOP WRAPPER
13	014137-000	2	WRAPPER, OVEN SIDE
14	005311-000	2	120V/25W HALOGEN LIGHT
15	003039-000	1	RACK GUIDE ASSY, RH
16	PJ010048	1	BAKE ELEMENT
17	A20010932	1	ELEMENT, MTG TRAY
18	E2109655	1	COVER, BAKE TRAY
19	PD020232	8	NO.8 X 3/4 PH PAN HEAD TEK SCREW (BLACK OXIDE)
20	PC020221	1	HINGE POCKET RECEIVER MANSFIELD RH
21	UNSERVICEABLE	1	OVEN CAVITY, ASM 36
22	PC020247	1	HINGE POCKET RECEIVER MANSFIELD LH
23	PM010160	1	MEAT PROBE JACK COVER
24	PE050115	1	MEAT PROBE JACK
25	003040-000	1	RACK GUIDE ASSY, LH
26	005312-000	1	BJB SLIMLINE 40 W BULB
27	B20014050	1	PREMIERE BROIL ELEMENT BRACKET FRONT
28	PJ010050	1	SEALED BROIL ELEMENT W/GLASS
29	PM010014	1	SMOKE ELIMINATOR (VDSC)
30	PB020275	1	VENT TUBE



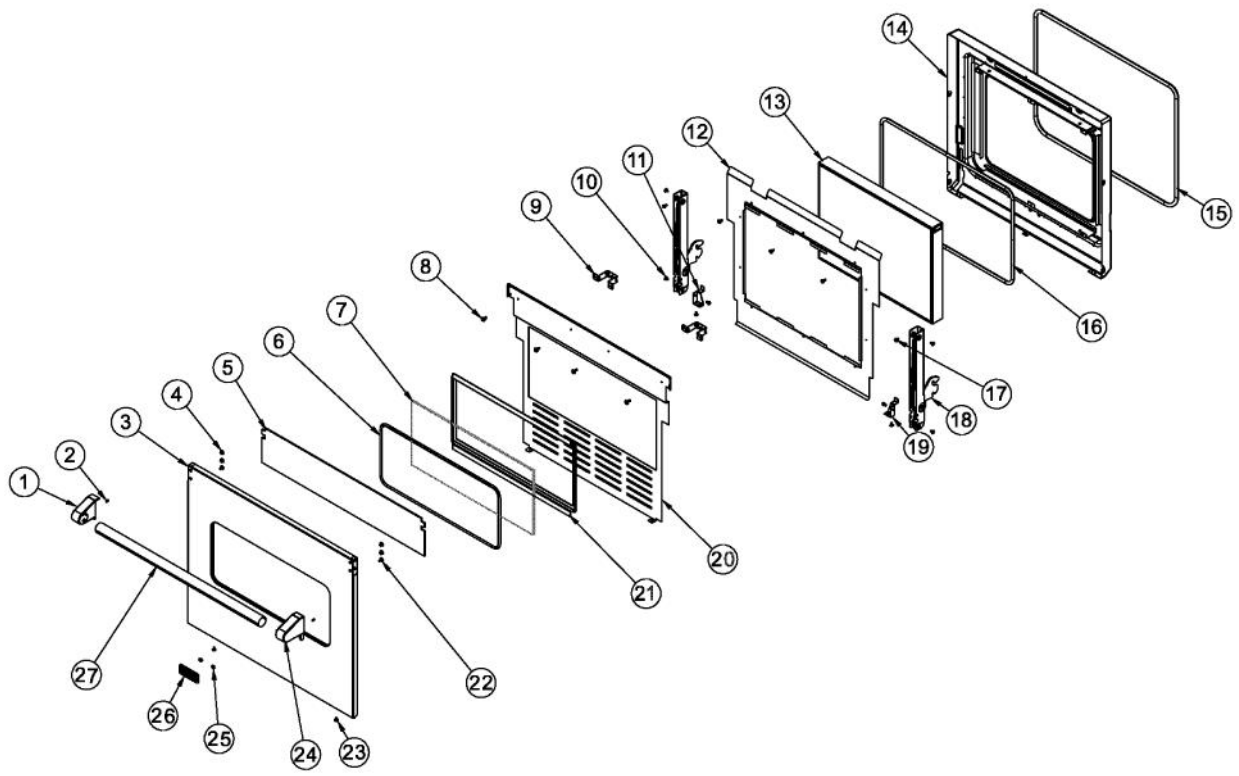


Ref #	Part Number	Qty.	Description
1	025228-000	1	TRIM, TOP, FLUSH, 27?
2	024264-000	1	TRIM,EXTD,TOP, 27
3	PD020032	2	SRW-8(A)X3/8PH.WFR HD 7/16DIAXNICL
4	025521-000	1	TRIM, R, FLUSH
5	024254-000	1	TRIM,EXTD,RH, SGL
6	G30010922	1	BASE MODULE ASSY 27
7	A20012739	2	BASE PAN CORNER BRACE
8	025219-000	1	27 DEFLECTOR (BK)
9	024478-000	1	EXTRUSION, 27 FLUSH MOUNT
10	A20012740	2	STIFFENER, BASE PAN
11	024255-000	1	TRIM,EXTD,LH, SGL
12	025522-000	1	TRIM, L, FLUSH



Ref #	Part Number	Qty.	Description
1	025186-000	1	ENDCAP, DOOR HDL, ASM, LH
1	025186-100	1	ENDCAP,DOOR HDL,ASM,LH (BR)
2	003650-000	2	SET SCREW
3	038922-000	1	PRO 27 SVC DOOR SKIN KIT W/LOGO-SS
3	038924-002	1	PRO 27 SVC DOO SKIN KIT W/LOGO-BK
3	038924-006	1	PRO 27 SVC DOOR SKIN KIT W/LOGO-WH
3	039582-018	1	VESO/VEDO 5272 UPPER SVC DOOR SKIN KIT-CW
4	004907-000	4	STEEL FINISHING PLUG, NICKEL PLTD 25/64 HOLE
5	025265-000	1	PANEL,INSL,27,DOOR
6	PE060104	1	27 J-MOLD (CHROME) NOT FIELD REPLACEABLE
7	PE060089	1	27 PROF. OUTER DOOR GLASS
8	PD020033	4	SRW-NO.10-24X1/2T(23)PH.WFR HD (NKL)
9	024005-000	2	BRACKET
10	PD020063	6	SCREW-NO.8(A) X 3/8PH WFR HD/BK OXID
11	A20012641	1	HINGE SUPPORT LH
12	A20010949	1	PANEL, INSULATION, INNNER DOOR
13	PE060093	1	27 WINDOW PACK
14	G91010942	1	DOOR LINER ASSEMBLY
15	PB070245	1	27 DOOR GASKET
16	000594-000	1	BLACK FIBERGLASS ROPE 3/8
17	PD020004	4	10X3/8PH.HD.TYPE 25 REPL PD040125
18	023798-000	2	HINGE, MANSFIELD, WHITE
19	A20012640	1	HINGE SUPPORT RH
20	PD020002	6	10 X 1/2 PH.TR.HD.SMS.
21	025163-000	1	DOOR SKIN MOUNTING BRACKET
22	025162-000	1	LINER,DOOR,27
23	L20014076	1	27 WINDOW HOLDER NOT FIELD REPLACEABLE
24	PD020073	2	SRW NO.10 X 24 X 3/8 WAFER HD TYPE23
25	PD020032	2	SRW-8(A)X3/8PH.WFR HD 7/16DIAXNICL
26	025187-000	1	ENDCAP, DOOR HDL, ASM, RH
26	025187-100	1	ENDCAP,DOOR HDL,ASM,RH (BR)
27	PD030006	2	CAPPED WASHER PAL NUT
28	PE010142	1	3 LOGO XBKXXCHROME
28	PE010143	1	3 LOGO BK/BR
28	PB010144	1	KNOB-DUAL INFINITE SWITCH XWHX
28	PB010145	1	KNOB-SINGLE INFINITE SWITCH XBKX
29	025167-000	1	HANDLE, DOOR, 27, SS
NI	025169-000	1	27 DOOR ASM W/LOGO, SS
NI	025505-002	1	DOOR ASSY, 27, W/ LOGO, BK
NI	025505-003	1	DOOR ASSY, 27, W/ LOGO, BT
NI	025505-004	1	DOOR ASSY, 27, W/ LOGO, SG
NI	025505-005	1	DOOR ASSY, 27, W/ LOGO, GG
NI	025505-006	1	DOOR ASSY, 27, W/ LOGO, WH
NI	025505-008	1	DOOR ASSY, 27, W/ LOGO, BU
NI	025505-009	1	DOOR ASSY, 27, W/ LOGO, LE
NI	025505-010	1	DOOR ASSY, 27, W/ LOGO, MJ
NI	025505-012	1	DOOR ASSY, 27, W/ LOGO, VB
NI	025505-013	1	DOOR ASSY, 27, W/ LOGO, CB
NI	025505-015	1	DOOR ASSY, 27, W/ LOGO, PL
NI	025505-016	1	DOOR ASSY, 27, W/ LOGO, CH
NI	025505-017	1	DOOR ASSY, 27, W/ LOGO, TP
NI	025505-018	1	DOOR ASSY, 27, W/ LOGO, CW
NI	025505-019	1	DOOR ASSY, 27, W/ LOGO, OG
NI	025505-020	1	DOOR ASSY, 27, W/ LOGO, GM
NI	025505-021	1	DOOR ASSY, 27, W/ LOGO, SA
NI	025505-022	1	DOOR ASSY, 27, W/ LOGO, SE
NI	025505-023	1	DOOR ASSY, 27, W/ LOGO, JB
NI	025505-024	1	DOOR ASSY, 27, W/ LOGO, AR
NI	025505-025	1	DOOR ASSY, 27, W/ LOGO, PR
NI	025505-026	1	DOOR ASSY, 27, W/ LOGO, PM

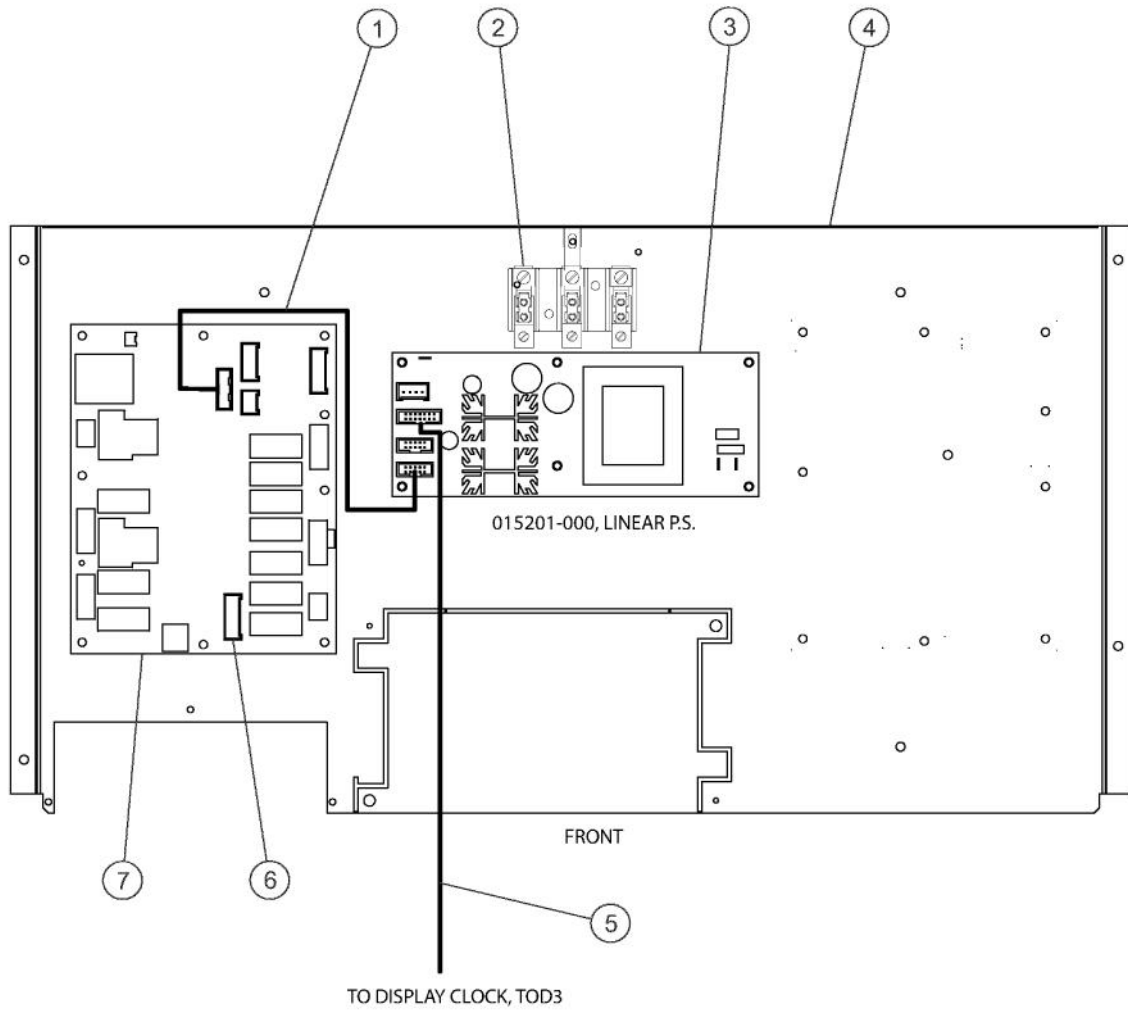
Ref #	Part Number	Qty.	Description
NI	025505-026	1	DOOR ASSY, 27, W/ LOGO, PM
NI	025505-027	1	DOOR ASSY, 27, W/ LOGO, MS
NI	025169-100	1	27 DOOR ASM, W/LOGO, SS/BR
NI	025505-102	1	DOOR ASSY, 27, W/ LOGO, BK/BR
NI	025505-103	1	DOOR ASSY, 27, W/ LOGO, BT/BR
NI	025505-104	1	DOOR ASSY, 27, W/ LOGO, SG/BR
NI	025505-105	1	DOOR ASSY, 27, W/ LOGO, GG/BR
NI	025505-106	1	DOOR ASSY, 27, W/ LOGO, WH/BR
NI	025505-108	1	DOOR ASSY, 27, W/ LOGO, BU/BR
NI	025505-109	1	DOOR ASSY, 27, W/ LOGO, LE/BR
NI	025505-110	1	DOOR ASSY, 27, W/ LOGO, MJ/BR
NI	025505-112	1	DOOR ASSY, 27, W/ LOGO, VB/BR
NI	025505-113	1	27 DOOR ASM, W/LOGO, CB/BR
NI	025505-115	1	DOOR ASSY, 27, W/ LOGO, PL/BR
NI	025505-116	1	DOOR ASSY, 27, W/ LOGO, CH/BR
NI	025505-117	1	DOOR ASSY, 27, W/ LOGO, TP/BR
NI	025505-118	1	DOOR ASSY, 27, W/ LOGO, CW/BR
NI	025505-119	1	DOOR ASSY, 27, W/ LOGO, OG/BR
NI	025505-120	1	DOOR ASSY, 27, W/ LOGO, GM/BR
NI	025505-121	1	DOOR ASSY, 27, W/ LOGO, SA/BR
NI	025505-122	1	DOOR ASSY, 27, W/ LOGO, SE/BR
NI	025505-123	1	DOOR ASSY, 27, W/ LOGO, JB/BR
NI	025505-124	1	DOOR ASSY, 27, W/ LOGO, AR/BR
NI	025505-125	1	DOOR ASSY, 27, W/ LOGO, RR/BR
NI	025505-126	1	DOOR ASSY, 27, W/ LOGO, PM/BR
NI	025505-127	1	DOOR ASSY, 27, W/ LOGO, MS/BR
NI	036913-000	1	27 WALL OVEN DOOR SERVICE KIT (FOR UNITS MANUFACTURED BEFORE 2/14/12)



Ref #	Part Number	Qty.	Description
1	025186-000	1	ENDCAP, DOOR HDL, ASM, LH
1	025186-100	1	ENDCAP,DOOR HDL,ASM,LH (BR)
2	003650-000	2	SET SCREW
3	025164-000	1	PANEL,DOOR,OTR,W/LOGO, 27
3	025499-002	1	PANEL, DOOR, W/LOGO, 27, BK
3	025499-003	1	PANEL, DOOR, W/LOGO, 27, BT
3	025499-004	1	PANEL, DOOR, W/LOGO, 27, SG
3	025499-005	1	PANEL, DOOR, W/LOGO, 27, GG
3	025499-006	1	PANEL, DOOR, W/LOGO, 27, WH
3	025499-008	1	PANEL, DOOR, W/LOGO, 27, BU
3	025499-009	1	PANEL, DOOR, W/LOGO, 27, LE
3	025499-010	1	PANEL, DOOR, W/LOGO, 27, MJ
3	025499-012	1	PANEL, DOOR, W/LOGO, 27, VB
3	025499-013	1	PANEL, DOOR, W/LOGO, 27, CB
3	025499-015	1	PANEL, DOOR, W/LOGO, 27, PL
3	025499-016	1	PANEL, DOOR, W/LOGO, 27, CH
3	025499-017	1	PANEL, DOOR, W/LOGO, 27, TP
3	025499-018	1	PANEL, DOOR, W/LOGO, 27, CW
3	025499-019	1	PANEL, DOOR, W/LOGO, 27, OG
3	025499-020	1	PANEL, DOOR, W/LOGO, 27, GM
3	025499-021	1	PANEL, DOOR, W/LOGO, 27, SA
3	025499-022	1	PANEL, DOOR, W/LOGO, 27, SE
3	025499-023	1	PANEL, DOOR, W/LOGO, 27, JB
3	025499-024	1	PANEL, DOOR, W/LOGO, 27, AR
3	025499-025	1	PANEL, DOOR, W/LOGO, 27, AR
3	025499-026	1	PANEL, DOOR, W/LOGO, 27, PM
3	025499-027	1	PANEL, DOOR, W/LOGO, 27, MS
4	004907-000	4	STEEL FINISHING PLUG, NICKEL PLTD 25/64 HOLE
5	025265-000	1	PANEL,INSL,27,DOOR
6	PE060104	1	27 J-MOLD (CHROME) NOT FIELD REPLACEABLE
7	PE060089	1	27 PROF. OUTER DOOR GLASS
8	PD020033	4	SRW-NO.10-24X1/2T(23)PH.WFR HD (NKL)
9	024005-000	2	BRACKET
10	PD020063	6	SCREW-NO.8(A) X 3/8PH WFR HD/BK OXID
11	A20012641	1	HINGE SUPPORT LH
12	A20010949	1	PANEL, INSULATION, INNNER DOOR
13	PE060093	1	27 WINDOW PACK
14	G91010942	1	DOOR LINER ASSEMBLY
15	PB070245	1	27 DOOR GASKET
16	000594-000	1	BLACK FIBERGLASS ROPE 3/8
17	PD020004	4	10X3/8PH.HD.TYPE 25 REPL PD040125
18	023798-000	2	HINGE, MANSFIELD, WHITE
19	A20012640	1	HINGE SUPPORT RH
20	025162-000	1	LINER,DOOR,27
21	L20014076	1	27 WINDOW HOLDER NOT FIELD REPLACEABLE
22	PD020073	2	SRW NO. 10 X 24 X 3/8 WAFER HD TYPE23
23	PD020032	2	SRW-8(A)X3/8PH.WFR HD 7/16DIAXNICL
24	025187-000	1	ENDCAP, DOOR HDL, ASM, RH
24	025187-100	1	ENDCAP,DOOR HDL,ASM,RH (BR)
25	PD030006	2	CAPPED WASHER PAL NUT
26	PE010142	1	3 LOGO XBKXXCHROME
26	PE010143	1	3 LOGO BK/BR
26	PB010144	1	KNOB-DUAL INFINITE SWITCH XWHX
26	PB010145	1	KNOB-SINGLE INFINITE SWITCH XBKX
27	025167-000	1	HANDLE, DOOR, 27, SS
NI	025169-000	1	27 DOOR ASM W/LOGO, SS
NI	025505-002	1	DOOR ASSY, 27, W/ LOGO, BK
NI	025505-003	1	DOOR ASSY, 27, W/ LOGO, BT
NI	025505-004	1	DOOR ASSY, 27, W/ LOGO, SG
NI	025505-005	1	DOOR ASSY, 27, W/ LOGO, GG

Ref #	Part Number	Qty.	Description
NI	025505-005	1	DOOR ASSY, 27, W/ LOGO, GG
NI	025505-006	1	DOOR ASSY, 27, W/ LOGO, WH
NI	025505-008	1	DOOR ASSY, 27, W/ LOGO, BU
NI	025505-009	1	DOOR ASSY, 27, W/ LOGO, LE
NI	025505-010	1	DOOR ASSY, 27, W/ LOGO, MJ
NI	025505-012	1	DOOR ASSY, 27, W/ LOGO, VB
NI	025505-013	1	DOOR ASSY, 27, W/ LOGO, CB
NI	025505-015	1	DOOR ASSY, 27, W/ LOGO, PL
NI	025505-016	1	DOOR ASSY, 27, W/ LOGO, CH
NI	025505-017	1	DOOR ASSY, 27, W/ LOGO, TP
NI	025505-018	1	DOOR ASSY, 27, W/ LOGO, CW
NI	025505-019	1	DOOR ASSY, 27, W/ LOGO, OG
NI	025505-020	1	DOOR ASSY, 27, W/ LOGO, GM
NI	025505-021	1	DOOR ASSY, 27, W/ LOGO, SA
NI	025505-022	1	DOOR ASSY, 27, W/ LOGO, SE
NI	025505-023	1	DOOR ASSY, 27, W/ LOGO, JB
NI	025505-024	1	DOOR ASSY, 27, W/ LOGO, AR
NI	025505-025	1	DOOR ASSY, 27, W/ LOGO, PR
NI	025505-026	1	DOOR ASSY, 27, W/ LOGO, PM
NI	025505-027	1	DOOR ASSY, 27, W/ LOGO, MS
NI	025169-100	1	27 DOOR ASM, W/LOGO, SS/BR
NI	025505-102	1	DOOR ASSY, 27, W/ LOGO, BK/BR
NI	025505-103	1	DOOR ASSY, 27, W/ LOGO, BT/BR
NI	025505-104	1	DOOR ASSY, 27, W/ LOGO, SG/BR
NI	025505-105	1	DOOR ASSY, 27, W/ LOGO, GG/BR
NI	025505-106	1	DOOR ASSY, 27, W/ LOGO, WH/BR
NI	025505-108	1	DOOR ASSY, 27, W/ LOGO, BU/BR
NI	025505-109	1	DOOR ASSY, 27, W/ LOGO, LE/BR
NI	025505-110	1	DOOR ASSY, 27, W/ LOGO, MJ/BR
NI	025505-112	1	DOOR ASSY, 27, W/ LOGO, VB/BR
NI	025505-113	1	27 DOOR ASM, W/LOGO, CB/BR
NI	025505-115	1	DOOR ASSY, 27, W/ LOGO, PL/BR
NI	025505-116	1	DOOR ASSY, 27, W/ LOGO, CH/BR
NI	025505-117	1	DOOR ASSY, 27, W/ LOGO, TP/BR
NI	025505-118	1	DOOR ASSY, 27, W/ LOGO, CW/BR
NI	025505-119	1	DOOR ASSY, 27, W/ LOGO, OG/BR
NI	025505-120	1	DOOR ASSY, 27, W/ LOGO, GM/BR
NI	025505-121	1	DOOR ASSY, 27, W/ LOGO, SA/BR
NI	025505-122	1	DOOR ASSY, 27, W/ LOGO, SE/BR
NI	025505-123	1	DOOR ASSY, 27, W/ LOGO, JB/BR
NI	025505-124	1	DOOR ASSY, 27, W/ LOGO, AR/BR
NI	025505-125	1	DOOR ASSY, 27, W/ LOGO, RR/BR
NI	025505-126	1	DOOR ASSY, 27, W/ LOGO, PM/BR
NI	025505-127	1	DOOR ASSY, 27, W/ LOGO, MS/BR

### EOC4 CONTROL BOARD WIRING (TOP VIEW)





Ref #	Part Number	Qty.	Description
NI	027543-000	1	JMPR, LED, 240V ADPT