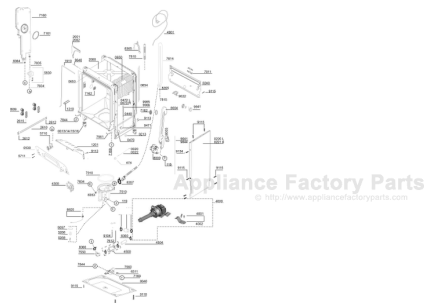


This Owner's Manual is provided and hosted by [Appliance Factory Parts](#).



# VIKING VDW302SS Owner's Manual

[Shop genuine replacement parts for VIKING VDW302SS](#)



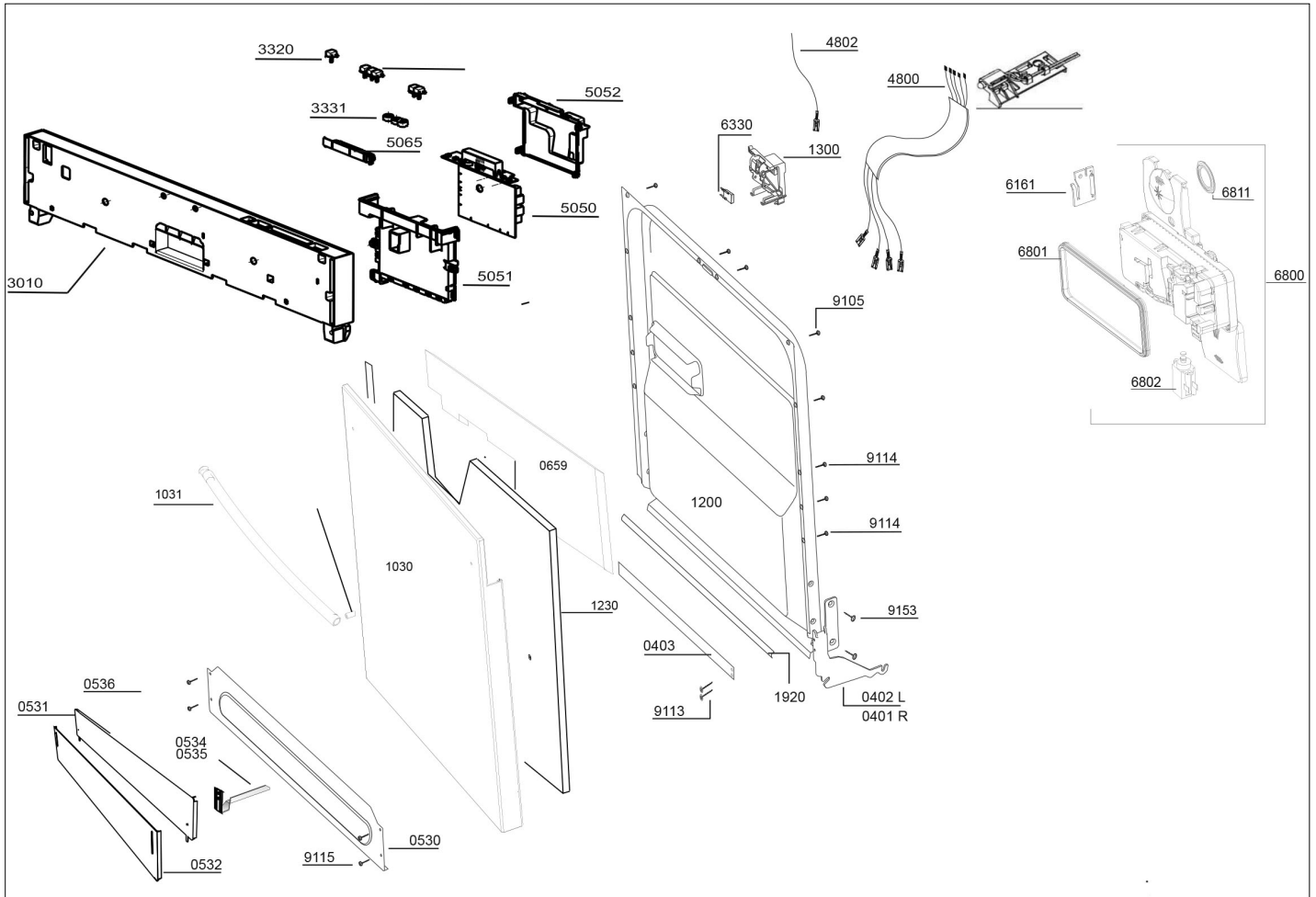
[Find Your VIKING Dishwasher Parts - Select From 36 Models](#)

----- Manual continues below -----

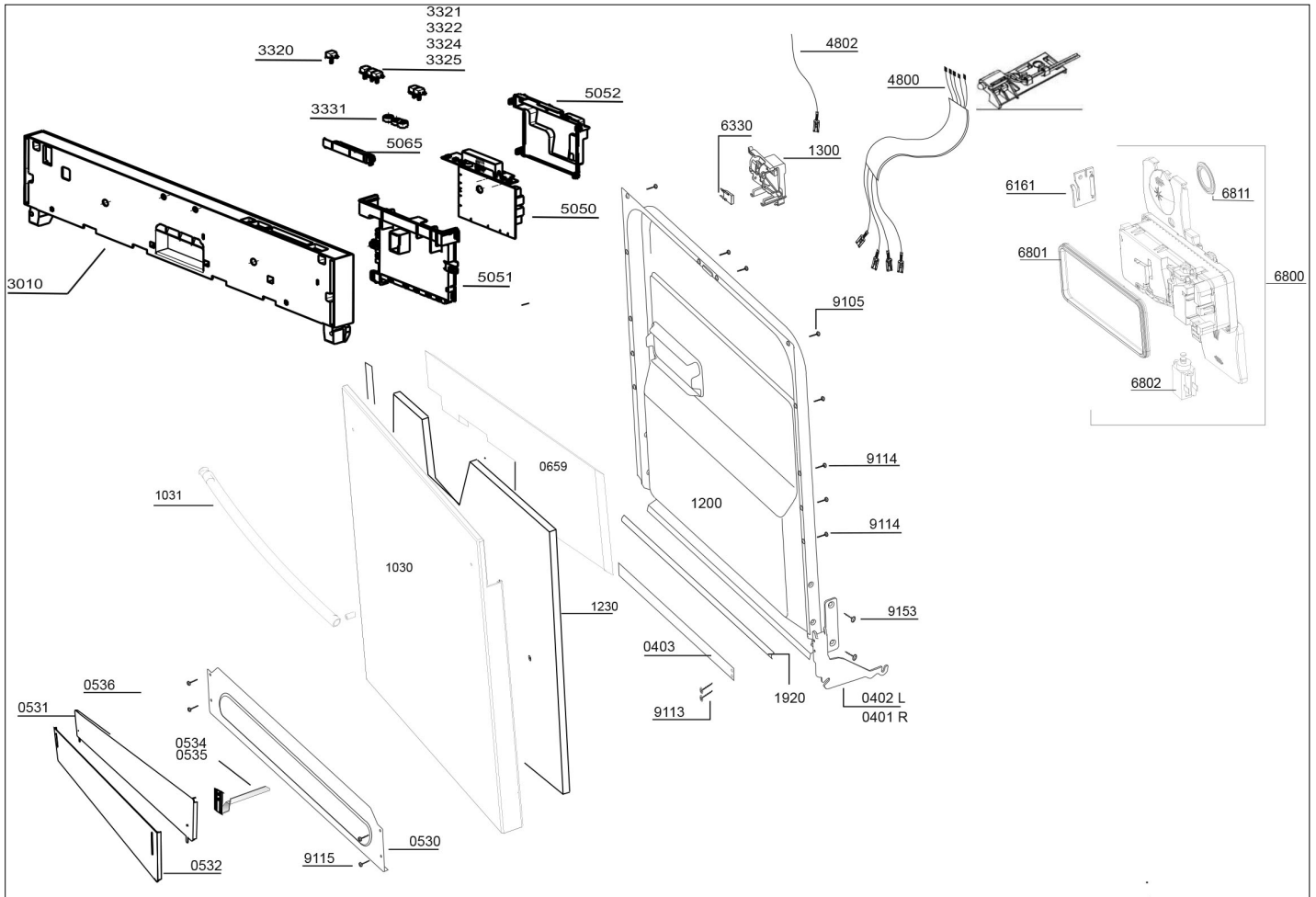
**VDW302SS**

VDW302SS Door parts .....	1
VDW302SS Chassis parts .....	2
VDW302SS Water System parts .....	3
Appendix A:Pages Index .....	A
Appendix B:Parts Index .....	B

VDW302SS Door parts



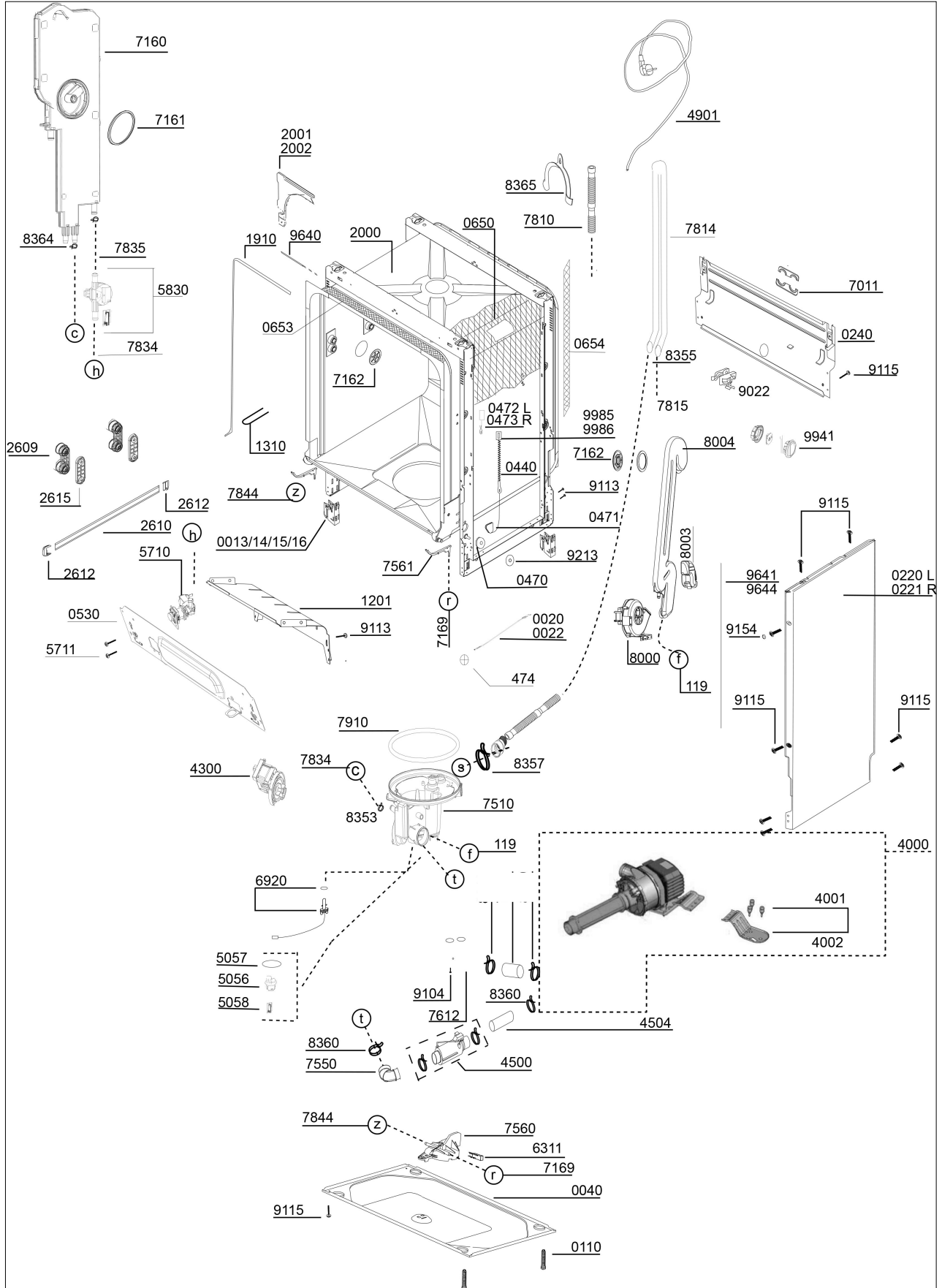
Item	Part No.	Name	Qty	Uom	NOTES
401	039739-000	HINGE ARM-RIGHT	1	EA	
402	039738-000	HINGE ARM-LEFT	1	EA	
403	039935-000	HINGE ARM SUPPORT	1	EA	
530	039773-000	KICK PLATE SHEET	1	EA	
531	039926-000	KICK PLATE SHEET	1	EA	
532	060210-000	KICK PLATE SHEET	1	EA	
534	039924-000	PLINTH ADJUSTMENT SHEET-LEFT	1	EA	
535	039925-000	PLINTH ADJUSTMENT SHEET-RIGHT	1	EA	
536	039928-000	KICK PLATE ADJUSTING LOCKER	1	EA	
659	039932-000	DOOR INSULATION	1	EA	
1030	060166-000	OUT DOOR - R=1_4 mm	1	EA	
1031	060160-000	TALL TUB HANDLE GROUP (WITH SET SCREWS)	1	EA	
1032	065087-000	TALL TUB HANDLE CONNECTION PART	2	EA	
1200	039720-000	INNER DOOR GR	1	EA	
1230	060205-000	DOOR INSULATION	1	EA	
1300	060170-000	DOOR LOCK GROUP	1	EA	
1920	039908-000	DOOR SEALING GASKET - BOTTOM	1	EA	
3010	060163-000	PANEL GR FDW302	1	EA	
3320	060156-000	ON-OFF BUTTON - BLACK	1	EA	
3321	060153-000	F1-F2 FUNCTION BUTTON - BLACK	1	EA	
3322	060154-000	F3-F4 FUNCTION BUTTON-BLACK	1	EA	
3324	060180-000	DELAY BUTTON - BLACK	1	EA	
3325	060155-000	PROGRAM DELAY BUTTON - BLACK	1	EA	
3331	060192-000	E5-E6 button gasket	1	EA	
4800	060763-000	D1 CABLE HARNESS (INCLUDES INDICATOR LIGHT)	1	EA	
4802	057525-000	CABLE HARNESS COMPLETE	1	EA	
5050	060161-000	ELECTRONIC CARD E5	1	EA	





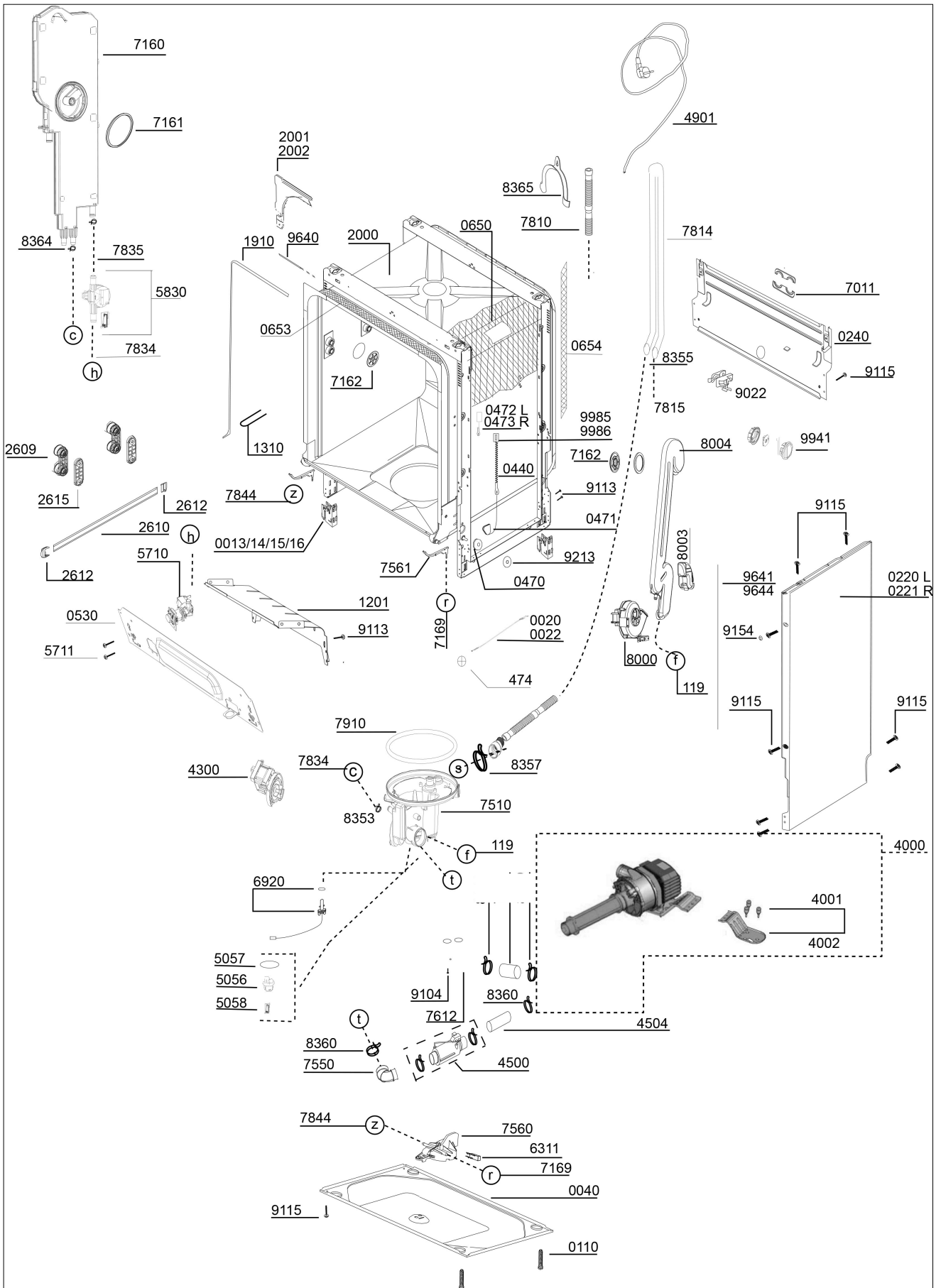
Item	Part No.	Name	Qty	Uom	NOTES
5051	060189-000	E5-E6 CARD HOLDER FRONT PART	1	EA	
5052	060190-000	E5-E6 CARD HOLDER BACK PART	1	EA	
5065	060191-000	E5-E6 BOTTON HOLDER PART	1	EA	
6161	050831-000	RINSE AID GLASS	1	EA	
6330	059878-000	NEW DOOR SWITCH	1	EA	
6800	039715-000	DETERGENT DISPENSER GROUP	1	EA	
6801	039714-000	DETERGENT DISPENSER GASKET	1	EA	
6802	039882-000	THERMOACTUATOR D3731 D3421	1	EA	
6811	039713-000	RINSE AID GASKET	1	EA	
9105	039914-000	SCREW	4	EA	
9113	039917-000	BOLT M4X8 D3731 D3421	23	EA	
9114	039916-000	SCREW	6	EA	
9115	039876-000	SCREW	20	EA	
9153	039877-000	SCREW	4	EA	
NI	PE010016	LOGO (ALL RANGES) *BK/CHR 307997W	1	EA	
NI	PD030008	HEX NUT	2	EA	

VDW302SS Chassis parts





Item	Part No.	Name	Qty	Uom	NOTES
13	039898-000	FOOT SUPPORT PART	4	EA	
14	039941-000	FOOT GROUP-ADJUSTABLE- RIGHT-BACK	1	EA	
15	039942-000	FOOT GROUP-ADJUSTABLE- LEFT-FRONT	1	EA	
16	039943-000	Rear feet Adjustable LEFT BACK	1	EA	
20	039937-000	REAR ADJUSTABLE FOOT CONNECTION PART	2	EA	
22	039938-000	REAR ADJUSTABLE FOOT CONNECTION PART	2	EA	
40	039886-000	BOTTOM TRAY	1	EA	
110	039889-000	FOOT GROUP-ADJUSTABLE	4	EA	
119	050797-000	HOSE BETWEEN FAN AND SUMP	1	EA	
220	057516-000	SIDE PANEL-LEFT	1	EA	
221	057517-000	SIDE PANEL-RIGHT	1	EA	
240	050891-000	REAR BOTTOM SUPPORT	1	EA	
440	057495-000	HINGE SPRING	4	EA	
470	060201-000	HINGE WHEEL	2	EA	
471	039894-000	HINGE ROPE GROUP	2	EA	
472	039763-000	DOOR ADJUSTMENT GROUP- LEFT	1	EA	
473	059866-000	DOOR ADJUSTMENT GROUP	1	EA	
474	039765-000	DOOR ADJUSTING ADAPTOR	2	EA	
530	039773-000	KICK PLATE SHEET	1	EA	
650	050777-000	INNER TUB ISOLATION	1	EA	
653	039923-000	DOOR LOCK COTTON FLEECE	1	EA	
654	060157-000	FELT	1	EA	
1201	039885-000	LOWER SUPPORT - FRONT	1	EA	
1310	039901-000	DOOR LOCK HOOK	1	EA	
1910	039769-000	DOOR SEALING GASKET	1	EA	
2000	060762-000	STRUCTURE GROUP	1	EA	
2001	039767-000	TOP CORNER BRACKET - LEFT	1	EA	
2002	039768-000	TOP CORNER BRACKET - RIGHT	1	EA	
2609	050780-000	GRD BALL BEARING ROLLER GROUP	4	EA	



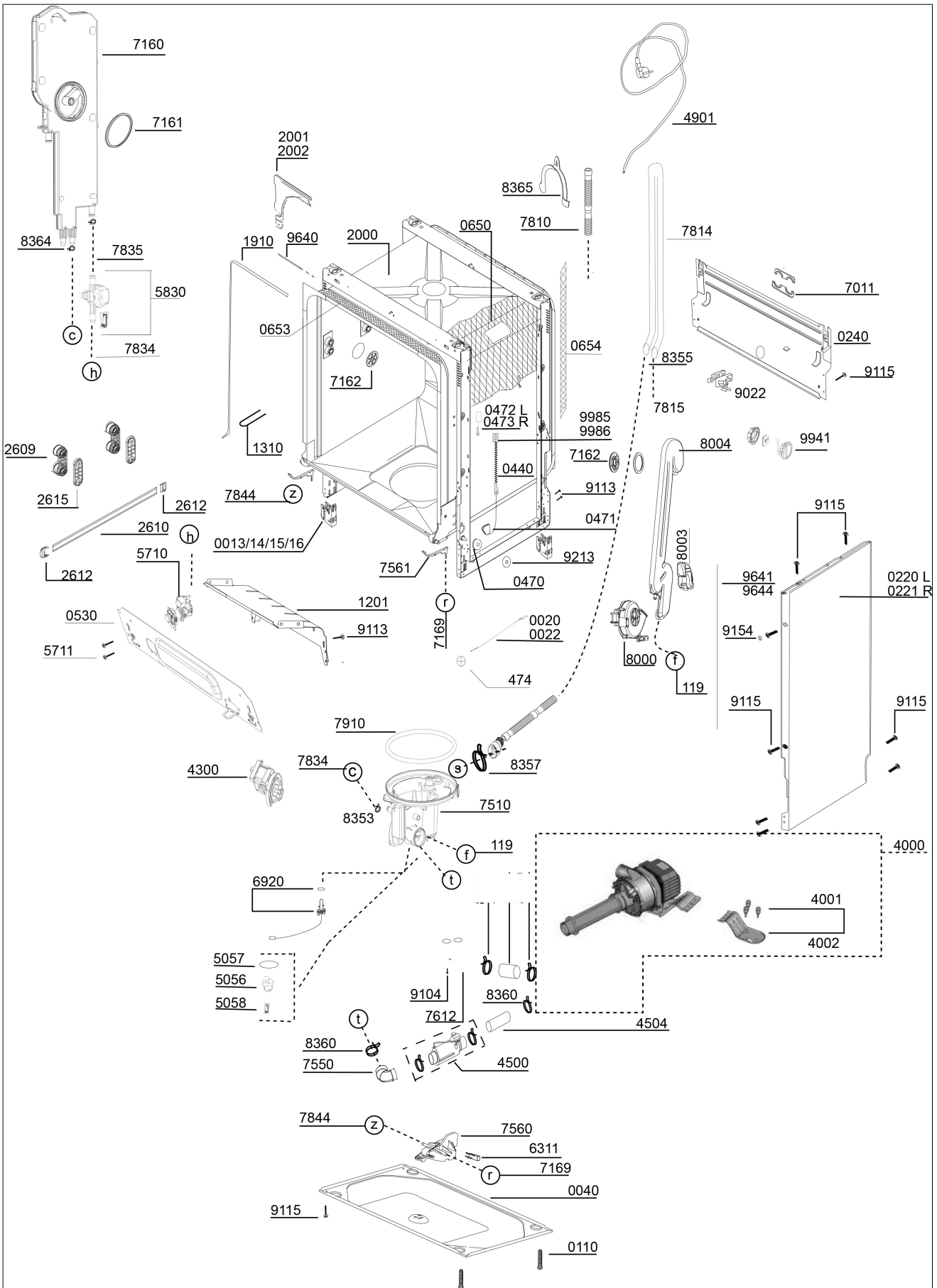
Item	Part No.	Name	Qty	Uom	NOTES
2610	039887-000	RAIL	2	EA	
2612	050782-000	rail cap front back	2	EA	
2615	039777-000	RAIL WHEEL HOLDER	4	EA	
4000	060187-000	QUADRO CIRCULATION MOTOR GROUP	1	EA	
4001	060182-000	CIRCULATION PUMP DAMPENING RUBBER	3	EA	
4002	060181-000	MOTOR BRACKET GROUP	1	EA	
4300	039758-000	DRAIN PUMP GROUP	1	EA	
4500	060167-000	FLOW THROUGH HEATER	1	EA	
4504	060188-000	PUMP INLET HOSE	1	EA	
4901	039949-000	MAIN PLUG EURO 120 V CANADA	1	EA	
5056	039900-000	TURBIDITY FRAME	1	EA	
5057	039868-000	O-RING (TURBIDITY)	1	EA	
5058	039950-000	TURBIDITY CARD AND LED HOLDER GR	1	EA	
5710	039756-000	WATER INLET VALVE	1	EA	
5711	039761-000	SCREW	2	EA	
5830	050887-000	COUNTER GROUP	1	EA	
6311	039913-000	MICRO SWITCH	1	EA	
6920	039933-000	NTC GROUP	1	EA	
7011	039918-000	DRAIN HOSE HOLDER 7037	2	EA	
7160	050775-000	REGENERATION UNIT	1	EA	
7161	039910-000	AIR FUNNEL GASKET	1	EA	

Comments for Part Num. 039910-000

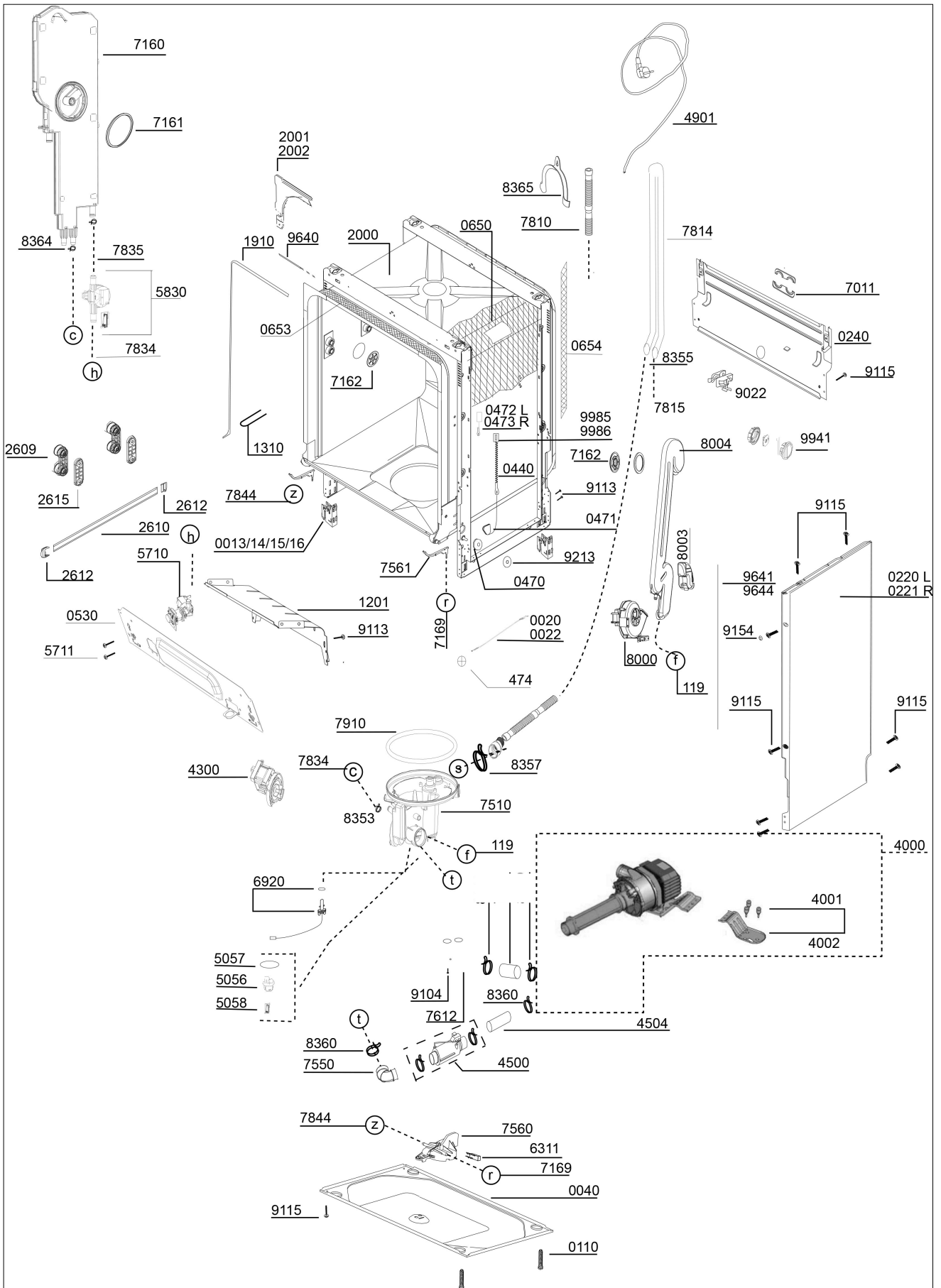
bradleysapplianceservice@shaw.ca on Feb 28, 2017

SUBS TO: 039910-000 AIR FUNNEL GASKET

7162	050778-000	air funnel cup	2	EA	
7169	039872-000	HOSE	1	EA	
7510	062826-000	SUMP-VDW300	1	EA	
7550	039723-000	HOSE BETWEEN SUMP AND HEATER	1	EA	
7560	039934-000	OVERFLOW FLOAT GROUP	1	EA	

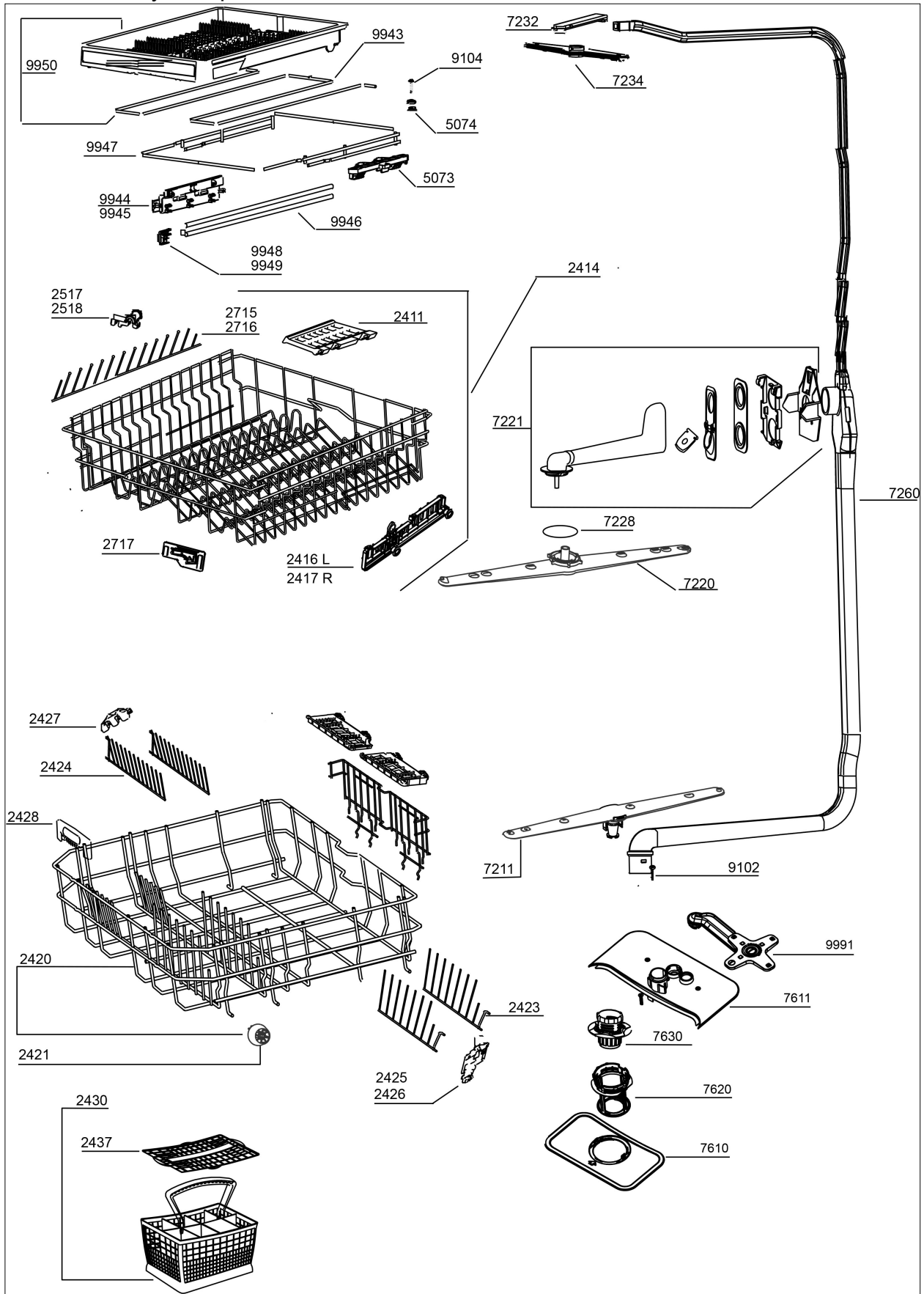


Item	Part No.	Name	Qty	Uom	NOTES
7561	039921-000	OVERFLOW SIPHON	2	EA	
7612	060194-000	6 WAY VALVE GROUP	1	EA	
7810	039726-000	DRAIN HOSE	1	EA	
<p>Comments for Part Num. 039726-000</p> <p>bradleysapplianceservice@shaw.ca on Jul 15, 2016                      IF LONG EXTERIOR DRAIN HOSE IS REQUIRED - FROM BACK OF DISHWASHER TO DRAIN OUTLET - ORDER PART NUMBER: 039726-000 DRAIN HOSE                      IF SUMP TO BACK OF UNIT DRAIN HOSE IS REQUIRED - INSIDE OF UNIT - ORDER PART NUMBER: 039725-000 SUMP DRAIN HOSE (16 INCHES LONG)</p>					
7814	039792-000	COLUMN ASSY	1	EA	
7815	039725-000	DRAIN HOSE	1	EA	
7831	050798-000	HOSE	1	EA	
7834	039867-000	HOSE	1	EA	
7835	039866-000	HOSE BETWEEN COUNTER AND REGENERATION U.	1	EA	
<p>Comments for Part Num. 039866-000</p> <p>bradleysapplianceservice@shaw.ca on Mar 7, 2017                      Caution when order this part. We ordered the 039866-000 HOSE but got the base pan instead. It was labelled with 039866-000 so it might be a mislabelled part.</p>					
7844	039873-000	HOSE	1	EA	
7910	039722-000	SUMP GASKET	1	EA	
8000	050179-000	FAN MOTOR GROUP	1	EA	Not available online / Call for pricing and availability
8003	050796-000	FAN OUTLET PIPE	1	EA	
8004	050784-000	FAN SUCTION PIPE	0.4	EA	
8319	039957-000	HOSE CLAMP	1	EA	
8353	057589-000	HOSE CLAMP (Ø 15.88)	1	EA	
8355	039952-000	HOSE CLAMP (Ø 28_7)	2	EA	
8357	039953-000	HOSE CLAMP.(+ 34_1)	1	EA	
8360	050799-000	HOSE CLAMP	1	EA	
8364	039958-000	HOSE CLAMP (Ø 15.88)	1	EA	
8365	040591-000	Drain Hose Holder	1	EA	



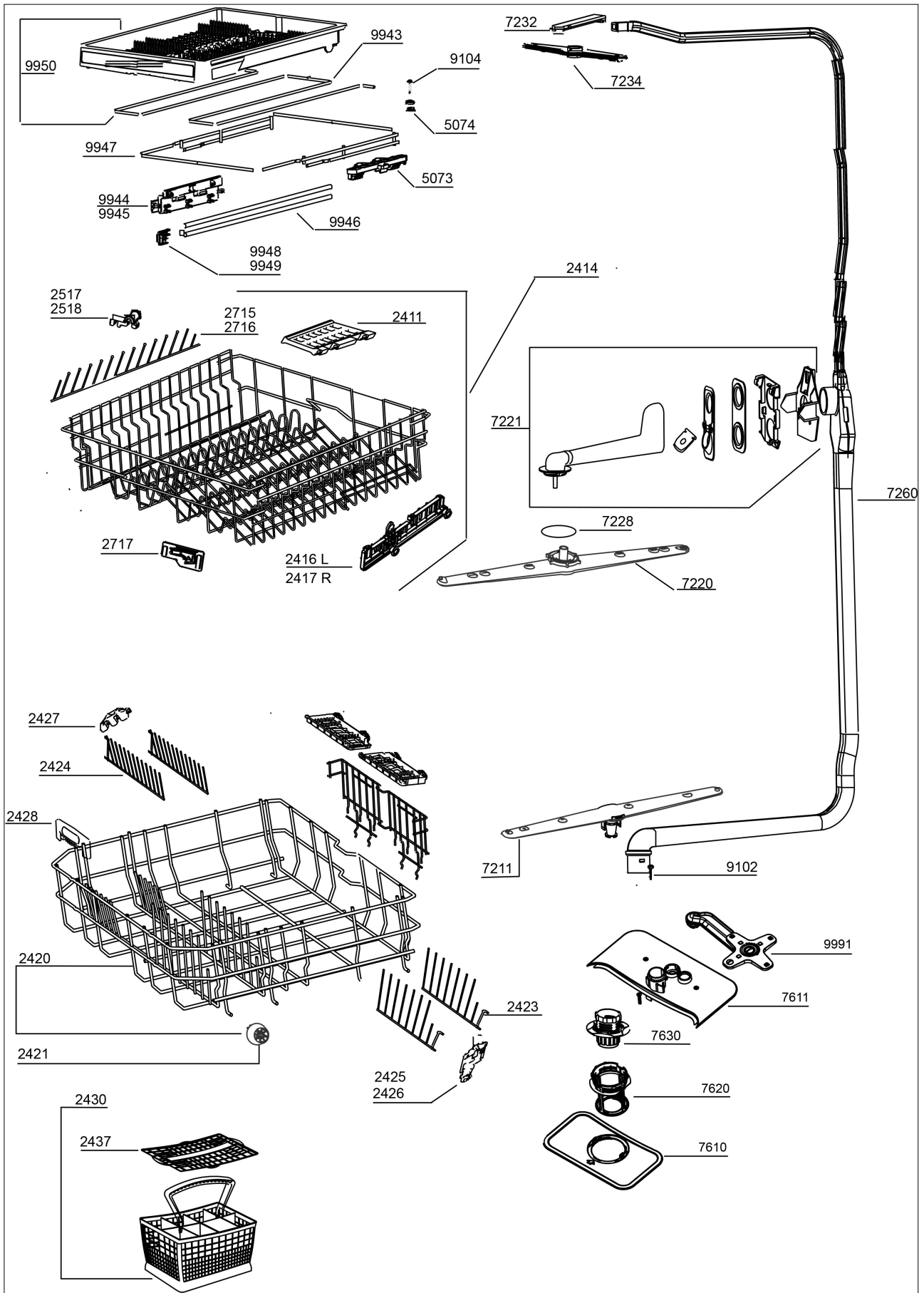
Item	Part No.	Name	Qty	Uom	NOTES
9022	060207-000	MAIN PLUG HOLDER	1	EA	
9104	039880-000	SCREW	5	EA	
9113	039917-000	BOLT M4X8 D3731 D3421	23	EA	
9115	039876-000	SCREW	20	EA	
9154	039905-000	SCREW CAP SIDE WALLS	2	EA	
9213	039883-000	WASHER	2	EA	
9640	039904-000	NOISE ISOLATION FOR TUB RAL 7037.	1	EA	
9641	057529-000	NOISE ISOLATION	2	EA	
Not Shown	NOTE	SLIDES ON TRIM OF TUB		EA	
9644	039760-000	NOISE ISOLATION	2	EA	
Not Shown	NOTE	STICKS ON SIDE OF UNIT		EA	
9941	060174-000	INNER ILLUMINATION CARD HOLDER GR	1	EA	
9985	057470-000	DUAL SPRING HOLDER TOP PART	2	EA	
9986	057471-000	DUAL SPRING HOLDER LOWER PART	2	EA	
NI	057530-000	ACCESSORIES	1	EA	
Not Shown	NOTE	INSTALL HARDWARE		EA	
NI	064528-000	LEFT MOUNTING BRACKET	1	EA	
Not Shown	NOTE	TO SECURE UNIT TO CABINET		EA	
NI	064529-000	RIGHT MOUNTING BRACKET	1	EA	
Not Shown	NOTE	TO SECURE UNIT TO CABINET		EA	

VDW302SS Water System parts





Item	Part No.	Name	Qty	Uom	NOTES
2411	039785-000	SHELF GROUP	4	EA	
2414	060241-000	UPPER RACK GR. RAL 7037	1	EA	
2416	057480-000	UPPER BASKET MECHANISM-LEFT	1	EA	
2417	057481-000	UPPER BASKET MECHANISM-RIGHT	1	EA	
2420	060184-000	LOWER BASKET GROUP	1	EA	
2421	050884-000	GRD LOWER BASKET SANTOPRENE WHEEL GROUP	8	EA	
2423	039788-000	PLATE HOLDER-LEFT	2	EA	
2424	039789-000	PLATE HOLDER-RIGHT	2	EA	
2425	050885-000	FOLDING PART OF BOTTOM BASKET	1	EA	
2426	057489-000	FOLDING PART OF BOTTOM BASKET	1	EA	
2427	050821-000	LOWER BASKET CLIPS	3	EA	
2428	050883-000	LOWER BASKET HANDLE	1	EA	
2430	057482-000	CUTLERY BASKET GROUP	1	EA	
2437	039791-000	CUTLERY BASKET SEPARATOR	2	EA	
2517	039861-000	UPPER BASKET CLIPS	11	EA	
2518	039783-000	FOLDING PART CLIPS RIGHT	1	EA	
2715	059870-000	UPPER BASKET SUPPORT WIRE	1	EA	
2716	059871-000	UPPER BASKET SUPPORT WIRE	1	EA	
2717	057494-000	GRD FOLDING PART	1	EA	
5073	050816-000	UPPER TRAY RAIL HOLDER	2	EA	
5074	050817-000	CONNECTING WASHER	4	EA	
7211	060164-000	LOWER SPRAY ARM GROUP	1	EA	
7220	060165-000	UPPER SPRAY ARM GROUP	1	EA	
7221	039862-000	UPPER SPRAY ARM FEED PIPE	1	EA	
7228	039870-000	GASKET	1	EA	
7232	039847-000	CEILING SPRAY ARM FEED PIPE	1	EA	
7234	039841-000	CEILING SPRAY GROUP	1	EA	
7260	039840-000	WATER SUPPLY TUBE GROUP	1	EA	



Item	Part No.	Name	Qty	Uom	NOTES
7610	060198-000	METAL FILTER GROUP	1	EA	
7611	060199-000	HALF FILTER SUPPORT ZONE	1	EA	
7620	060196-000	MICRO FILTER GROUP_2	1	EA	
7630	057474-000	COARSE FILTER	1	EA	
9102	039945-000	SCREW	3	EA	
9104	039880-000	SCREW	5	EA	
9943	050809-000	UPPER TRAY FRAME WIRE	1	EA	
9944	050811-000	UPPER TRAY DRAWER HOLDER-LEFT	1	EA	
9945	050812-000	UPPER TRAY DRAWER HOLDER-RIGHT	1	EA	
9946	050815-000	CEILING RAIL	2	EA	
9947	050810-000	UPPER TRAY HOLDER	1	EA	
9948	060177-000	UPPER TRAY RAIL CAP-RIGHT RAL 7037	1	EA	
9949	060178-000	UPPER TRAY RAIL CAP-LEFT RAL7037	1	EA	
9950	060176-000	UPPER TRAY GROUP	1	EA	
9991	060195-000	ZONE WASH GROUP	1	EA	



Appendix A:Pages Index

VDW302SS Chassis parts ..... 2  
VDW302SS Door parts ..... 1  
VDW302SS Water System parts ..... 3



Appendix B:Parts Index

039713-000	1	039880-000	2, 3
039714-000	1	039882-000	1
039715-000	1	039883-000	2
039720-000	1	039885-000	2
039722-000	2	039886-000	2
039723-000	2	039887-000	2
039725-000	2	039889-000	2
039726-000	2	039894-000	2
039738-000	1	039898-000	2
039739-000	1	039900-000	2
039756-000	2	039901-000	2
039758-000	2	039904-000	2
039760-000	2	039905-000	2
039761-000	2	039908-000	1
039763-000	2	039910-000	2
039765-000	2	039913-000	2
039767-000	2	039914-000	1
039768-000	2	039916-000	1
039769-000	2	039917-000	1, 2
039773-000	1, 2	039918-000	2
039777-000	2	039921-000	2
039783-000	3	039923-000	2
039785-000	3	039924-000	1
039788-000	3	039925-000	1
039789-000	3	039926-000	1
039791-000	3	039928-000	1
039792-000	2	039932-000	1
039840-000	3	039933-000	2
039841-000	3	039934-000	2
039847-000	3	039935-000	1
039861-000	3	039937-000	2
039862-000	3	039938-000	2
039866-000	2	039941-000	2
039867-000	2	039942-000	2
039868-000	2	039943-000	2
039870-000	3	039945-000	3
039872-000	2	039949-000	2
039873-000	2	039950-000	2
039876-000	1, 2	039952-000	2
039877-000	1	039953-000	2
		039957-000	2



039958-000	2	057589-000	2
040591-000	2	059866-000	2
050179-000	2	059870-000	3
050775-000	2	059871-000	3
050777-000	2	059878-000	1
050778-000	2	060153-000	1
050780-000	2	060154-000	1
050782-000	2	060155-000	1
050784-000	2	060156-000	1
050796-000	2	060157-000	2
050797-000	2	060160-000	1
050798-000	2	060161-000	1
050799-000	2	060163-000	1
050809-000	3	060164-000	3
050810-000	3	060165-000	3
050811-000	3	060166-000	1
050812-000	3	060167-000	2
050815-000	3	060170-000	1
050816-000	3	060174-000	2
050817-000	3	060176-000	3
050821-000	3	060177-000	3
050831-000	1	060178-000	3
050883-000	3	060180-000	1
050884-000	3	060181-000	2
050885-000	3	060182-000	2
050887-000	2	060184-000	3
050891-000	2	060187-000	2
057470-000	2	060188-000	2
057471-000	2	060189-000	1
057474-000	3	060190-000	1
057480-000	3	060191-000	1
057481-000	3	060192-000	1
057482-000	3	060194-000	2
057489-000	3	060195-000	3
057494-000	3	060196-000	3
057495-000	2	060198-000	3
057516-000	2	060199-000	3
057517-000	2	060201-000	2
057525-000	1	060205-000	1
057529-000	2	060207-000	2
057530-000	2	060210-000	1



060241-000	.....	3
060762-000	.....	2
060763-000	.....	1
062826-000	.....	2
064528-000	.....	2
064529-000	.....	2
065087-000	.....	1
PD030008	.....	1
PE010016	.....	1