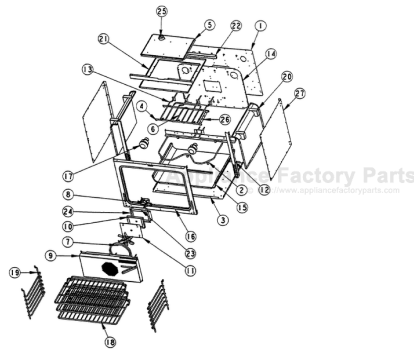


This Owner's Manual is provided and hosted by [Appliance Factory Parts](#).



VIKING VEDO205_3 Owner's Manual

[Shop genuine replacement parts for VIKING
VEDO205_3](#)



[Find Your VIKING Oven Parts - Select From 98 Models](#)

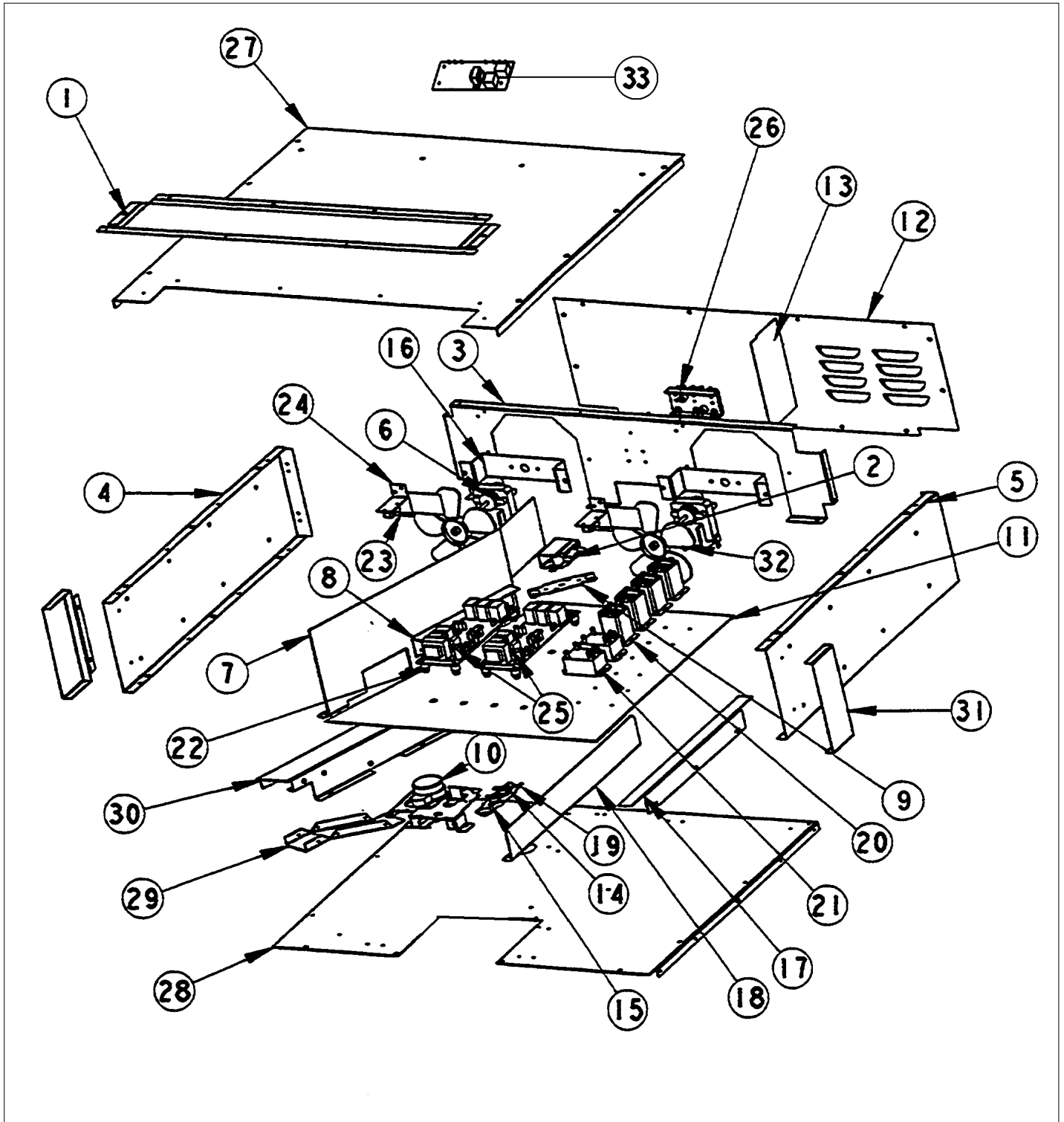
----- Manual continues below -----

VEDO205

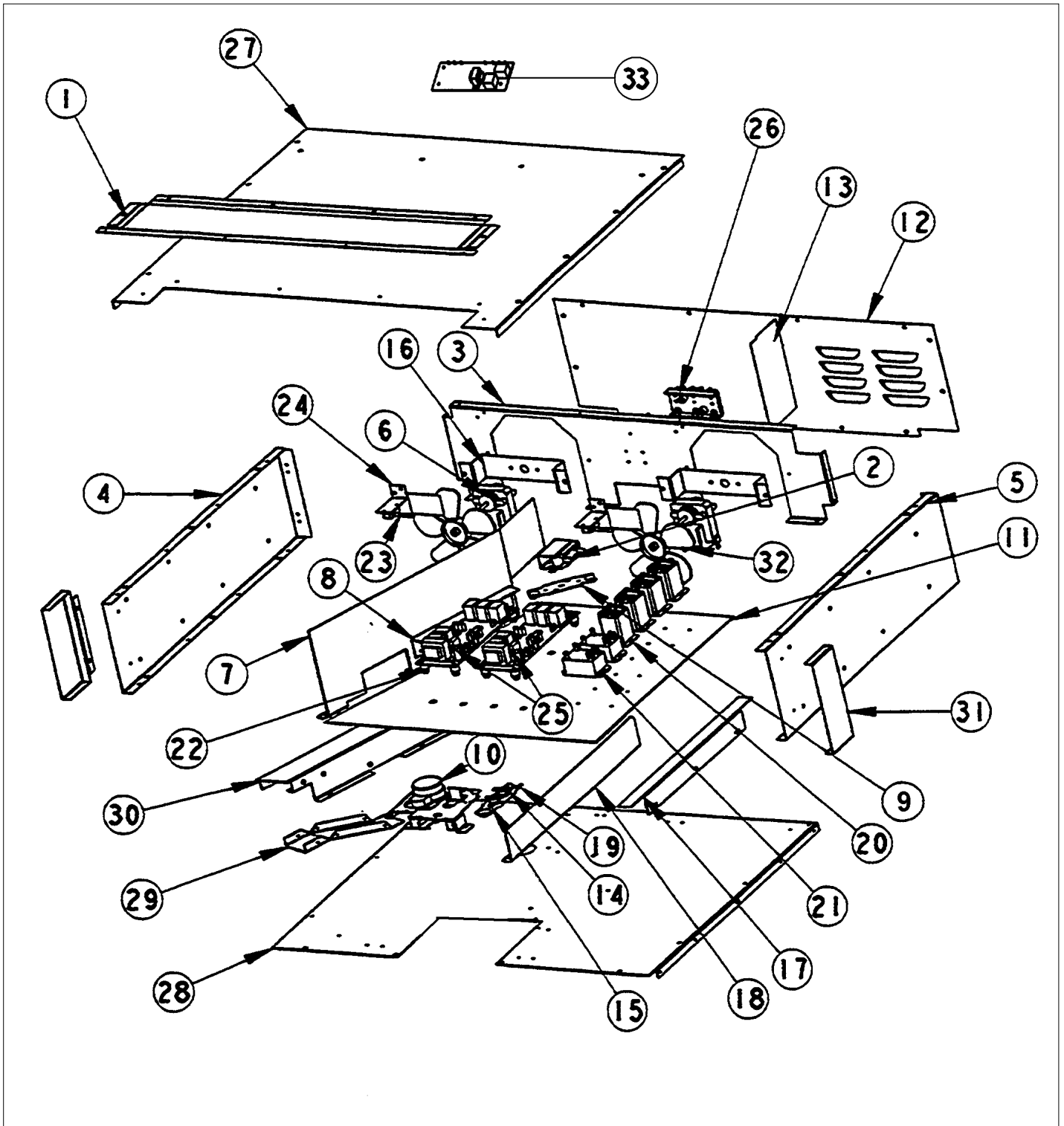
Contents

| | |
|------------------------------|---|
| CABINET ASSEMBLY | 1 |
| CONTROL PANEL ASSY | 2 |
| DOOR ASSEMBLY | 3 |
| LOWER OVEN | 4 |
| UPPER OVEN | 5 |
| WIRING | 6 |
| Appendix B:Parts Index | B |
| Appendix A:Pages Index | A |

CABINET ASSEMBLY



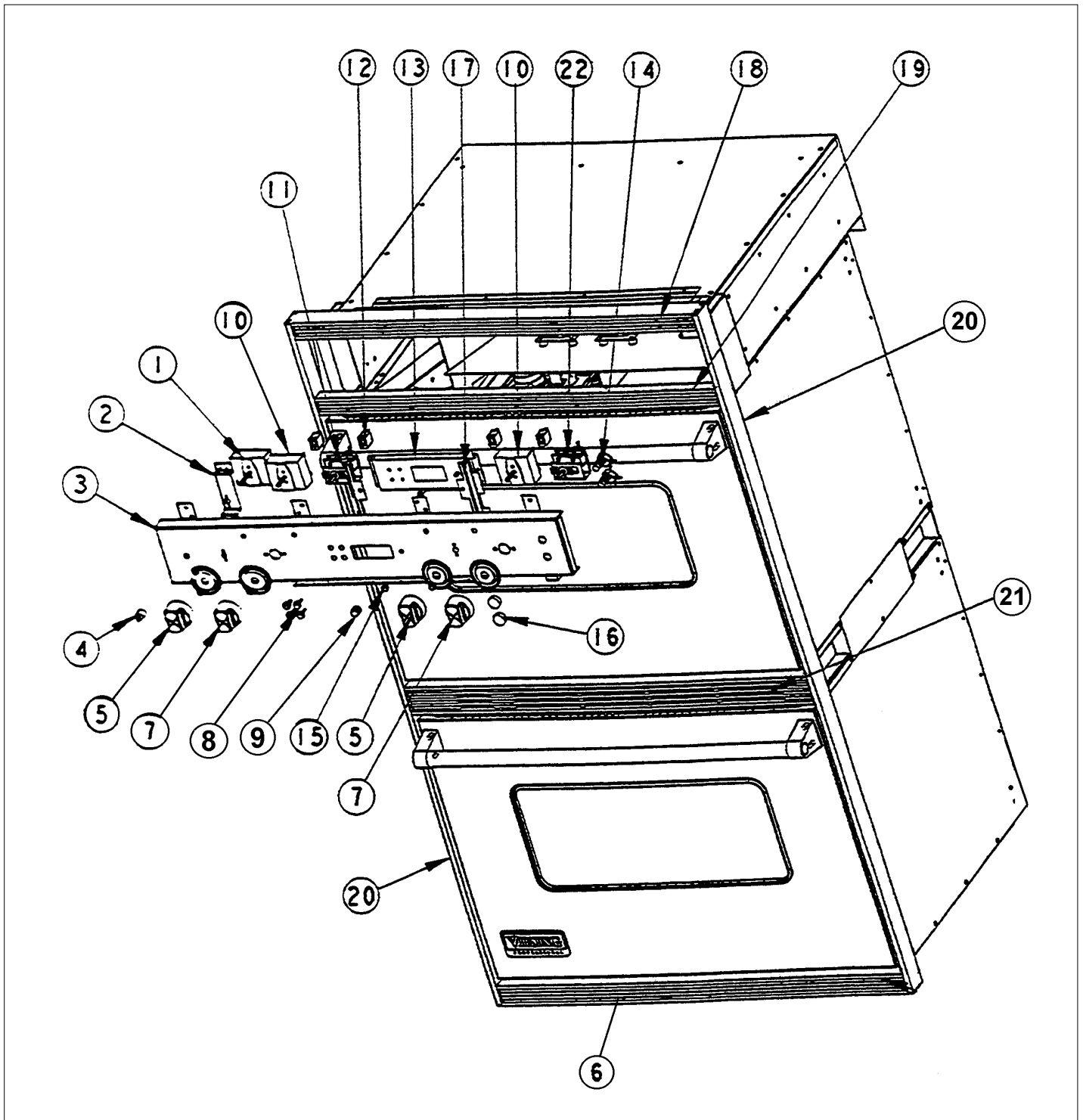
| Item | Part No. | Name | Qty | Uom | NOTES |
|-----------|----------|-------------------------------------|-----|-----|---------------------|
| 1 | E9102908 | AIR VENT (VESO/VEDO) | 1 | EA | NO LONGER AVAILABLE |
| 2 | PJ030002 | AUTO RESET (SELF-CLEAN) VDSC | 1 | EA | |
| 3 | A2002926 | CABINET BACK - VEDO205 | 1 | EA | NO LONGER AVAILABLE |
| 4 | A2002906 | CABINET SIDE | 1 | EA | NO LONGER AVAILABLE |
| 5 | A2002906 | CABINET SIDE | 1 | EA | NO LONGER AVAILABLE |
| 6 | PE110024 | MOTOR FAN Y0042226 | 1 | EA | NO LONGER AVAILABLE |
| 7 | A2002950 | DIVIDER - VESO/VEDO | 1 | EA | NO LONGER AVAILABLE |
| 8 | A2002956 | FLOOR BRACE - VEDO205/VESO105 | 1 | EA | NO LONGER AVAILABLE |
| 9 | A1002456 | THERMO-DISC BRKT (VDSC) | 1 | EA | |
| 10 | PE050053 | DR LATCH REPL PE050020 | 1 | EA | |
| Not Shown | NOTE | (BEFORE 10-1-02) | | EA | |
| 10 | PE050112 | DOOR LATCH | 1 | EA | |
| Not Shown | NOTE | (AFTER 10-1-02) | | EA | |
| 11 | A2002949 | FALSE FLOOR - VESO/VEDO | 1 | EA | NO LONGER AVAILABLE |
| 12 | A1002947 | FAN COVER - VESO | 1 | EA | NO LONGER AVAILABLE |
| 13 | A2002948 | FAN DIVIDER - VESO/VEDO | 1 | EA | NO LONGER AVAILABLE |
| 14 | PJ030005 | SWITCH (HIGH-LIMIT) VDSC | 1 | EA | |
| 15 | PJ030006 | SWITCH (COOLING FAN) | 1 | EA | |
| 16 | A2002911 | FAN MTG BRKT | 1 | EA | NO LONGER AVAILABLE |
| 17 | A2002952 | FLOOR BRACE - VESO/VEDO | 1 | EA | NO LONGER AVAILABLE |
| 18 | A2002951 | FLOOR SUPT - VESO/VEDO | 1 | EA | NO LONGER AVAILABLE |
| 19 | A1002456 | THERMO-DISC BRKT (VDSC) | 1 | EA | |
| 20 | PM010029 | RELAY (DOUBLE POLE-DOUBLE THROW)TEM | 1 | EA | |
| 21 | PM010026 | RELAY-DBLE POLE/SNGLE THROW | 1 | EA | |



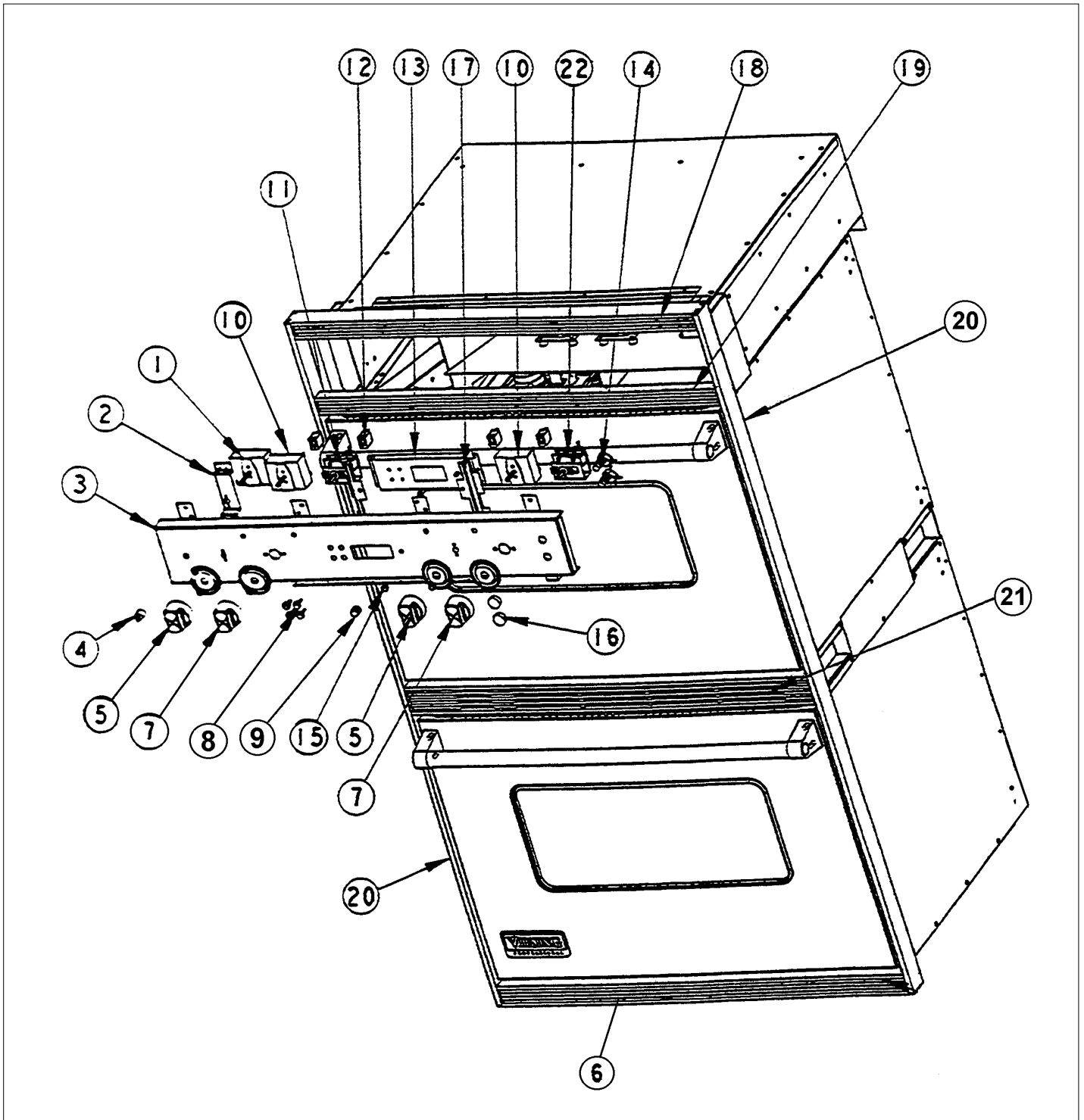


| Item | Part No. | Name | Qty | Uom | NOTES |
|-----------|----------|-------------------------------------|-----|-----|---------------------|
| 22 | PD030033 | GROMMET NUT-ROUND HD. #8 X .500DIA. | 1 | EA | |
| 23 | G5002958 | SAIL SWITCH ASSY (VESO/VEDO) | 1 | EA | |
| 24 | A2002959 | SAIL SWITCH MNTG. BRKT. (VESO/VEDO) | 1 | EA | |
| 25 | PE070148 | SELF-CLEAN BOARD/TIMER (VDSC) | 1 | EA | |
| 26 | PE070147 | TERMINAL BLOCK | 1 | EA | |
| 27 | A2002964 | TOP COVER (VESO105) | 1 | EA | |
| 28 | G3008411 | TOP INSULATION RETAINER ASSY | 1 | EA | |
| 29 | A2002909 | VENT BTM | 1 | EA | NO LONGER AVAILABLE |
| 30 | A2002910 | VENT TOP | 1 | EA | NO LONGER AVAILABLE |
| 31 | A2002954 | CABINET COVER | 1 | EA | NO LONGER AVAILABLE |
| 32 | PE110031 | BLADE FAN Y0314548 | 1 | EA | NO LONGER AVAILABLE |
| 33 | G5007602 | PRE-HEAT BOARD KIT (VEDO205/276) | 1 | EA | |
| Not Shown | NOTE | (BEFORE 1/16/03) | | EA | |
| Not Shown | PE070308 | PRE-HEAT BOARD | 1 | EA | |
| Not Shown | NOTE | (AFTER 1/16/03) | | EA | |
| NI | PE070317 | VEDO/VESO PREHEAT HARNESS | 1 | EA | |

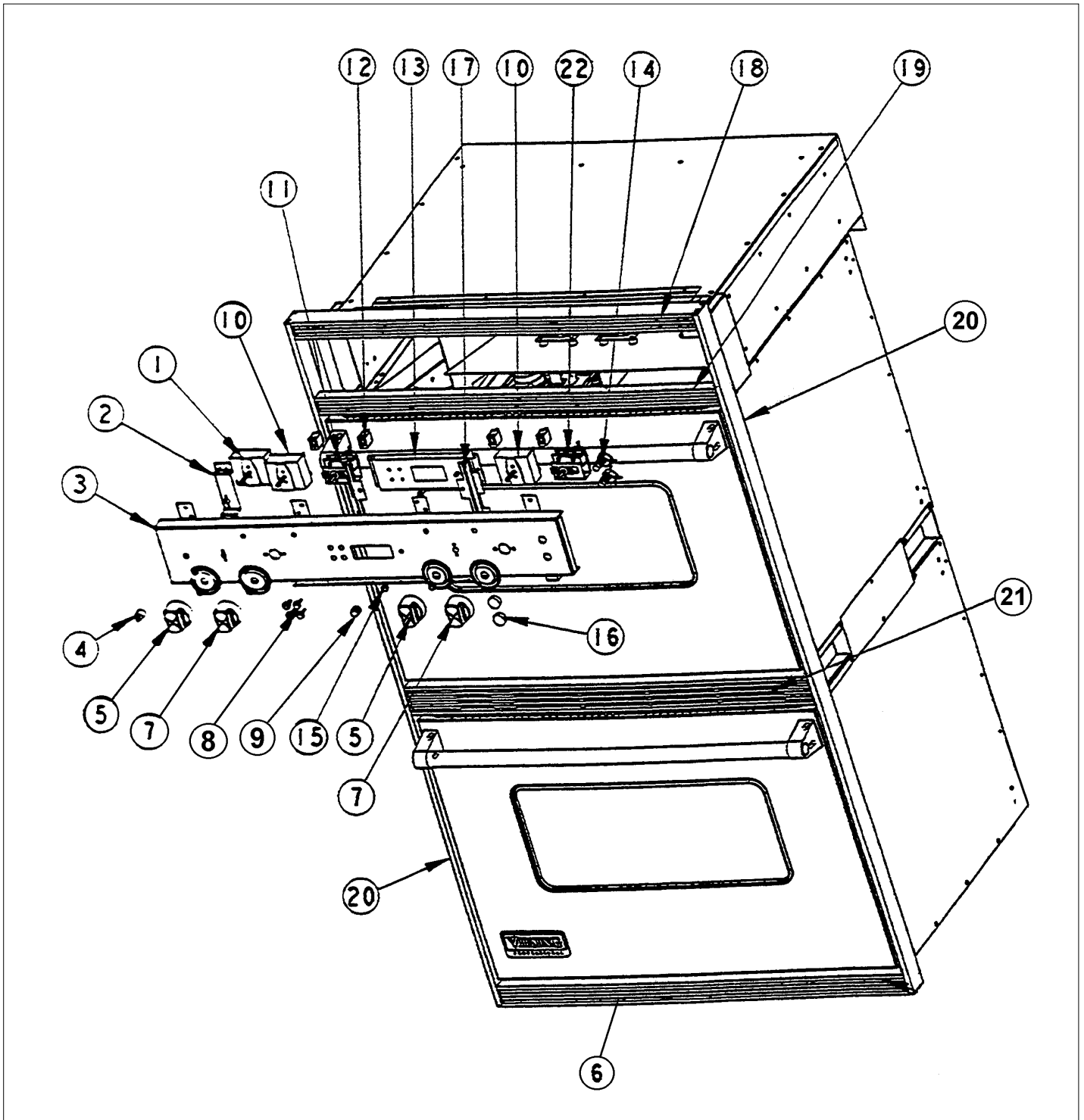
CONTROL PANEL ASSY



| Item | Part No. | Name | Qty | Uom | NOTES |
|-------------|--------------|-------------------------------------|-----|-----|---------------------|
| 1 | PJ030010 | SELECTOR SWITCH (3-POSITION)VEDO205 | 1 | EA | |
| 2 | A2002932 | MANUAL TIME BRKT (VEDO/VESO) | 1 | EA | NO LONGER AVAILABLE |
| 3 | B9204535 | CONTROL PANEL - SS (OLD STYLE) | 1 | EA | |
| Not Shown | NOTE | (BEFORE 02/05/97) | | EA | |
| C920453 5BK | G5004541 | VEDO205BK CLOCK CONVERSION KIT | 1 | EA | NO LONGER AVAILABLE |
| Not Shown | NOTE | (BEFORE 02/05/97) | | EA | |
| C920453 5WH | G5004540 | VEDO205WH CLOCK CONVERSION KIT | 1 | EA | NO LONGER AVAILABLE |
| Not Shown | NOTE | (BEFORE 02/05/97) | | EA | |
| Not Shown | B9202924 | CTRL PAN *BK* (VEDO205) *SLK SCR* | 1 | EA | |
| Not Shown | NOTE | (AFTER 02/05/97) | | EA | |
| C920292 4BK | B9202924 | CTRL PAN *BK* (VEDO205) *SLK SCR* | 1 | EA | |
| Not Shown | NOTE | (AFTER 02/05/97) | | EA | |
| Not Shown | C9202924WH | CTRL PAN *WH* (VEDO205) *SLK SCR* | 1 | EA | NO LONGER AVAILABLE |
| Not Shown | NOTE | (AFTER 02/05/97) | | EA | |
| 4 | PB010165 | TIME MANUAL KNOB *BK* (VESO/VEDO) | 1 | EA | |
| Not Shown | PB010166 | TIME MANUAL KNOB *WH* (VESO/VEDO) | 1 | EA | |
| 5 | G5004515BK | SELECTOR KNOB ASSY KIT(VEDO205)*BK* | 1 | EA | |
| Not Shown | G5004515BKBR | SELECTOR KNOB ASSEMBLY - BKBR | 1 | EA | |
| Not Shown | G5004516WH | SELECTOR KNOB ASSY. KIT(VEDO205)*WH | 1 | EA | |
| Not Shown | G5004516WHBR | SELECTOR KNOB ASSY KIT(DO205)*WH*BR | 1 | EA | NO LONGER AVAILABLE |
| 6 | PE040074 | BTM TRIM-EXTRUDED (VESO105/VEDO2 | 1 | EA | |
| 7 | G5004518BK | THERMOSTAT KNOB ASSY (VEDO205) *BK* | 1 | EA | |



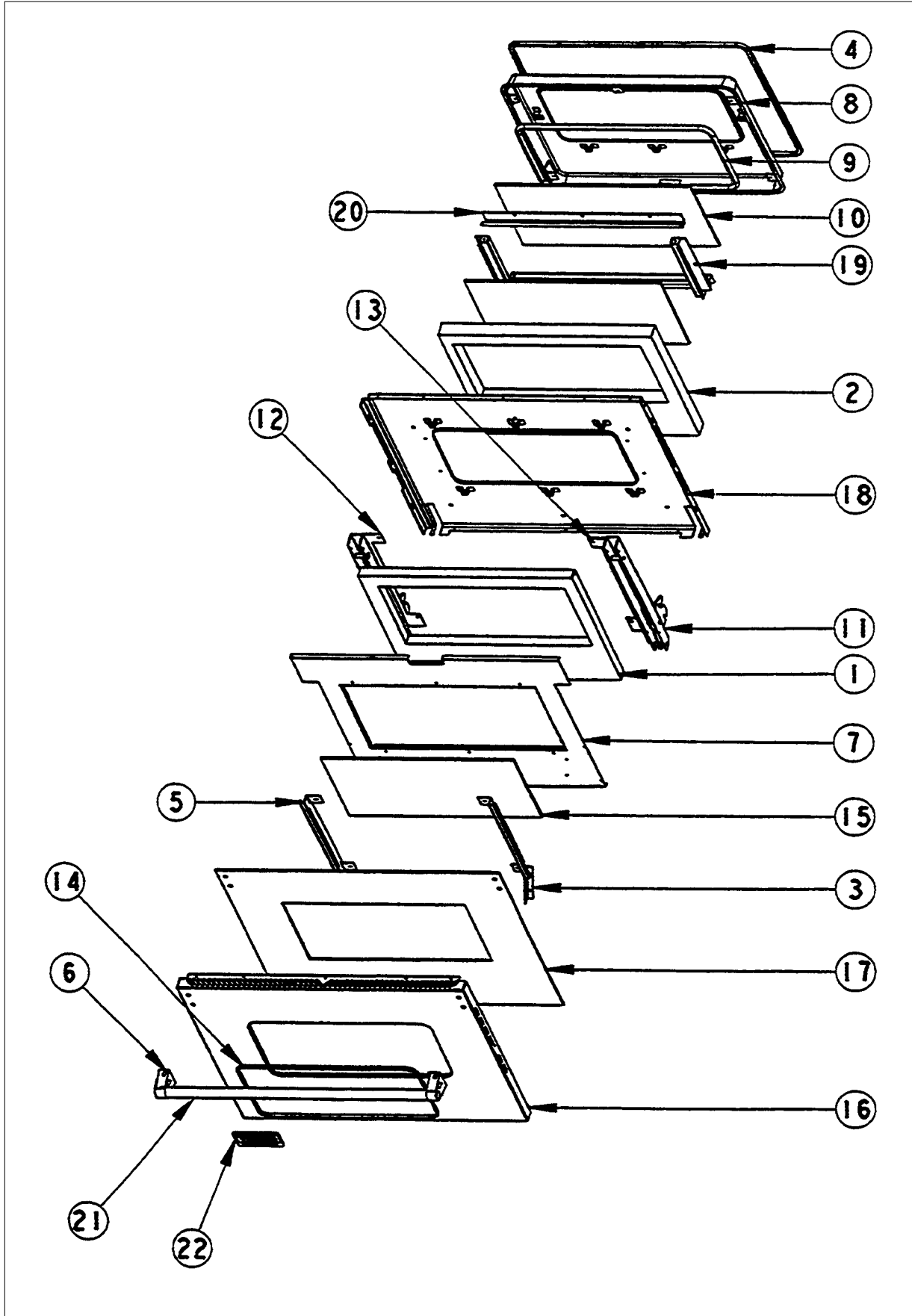
| Item | Part No. | Name | Qty | Uom | NOTES |
|-----------|--------------|--------------------------------------|-----|-----|---------------------|
| Not Shown | G5004518BKBR | THERMOSTAT KNOB ASSEMBLY - BKBR | 1 | EA | |
| Not Shown | G5004518WH | THERMOSTAT KNOB ASSY (VEDO205) *WH* | 1 | EA | |
| Not Shown | G5004518WHBR | THERMOSTAT KNOB ASSY(VEDO205)*WHBR* | 1 | EA | NO LONGER AVAILABLE |
| 8 | PB010185BK | CLOCK BUTTON *BK* (VESO/VEDO) | 4 | EA | NO LONGER AVAILABLE |
| Not Shown | PB010185 | CLOCK BUTTON *WH* (VESO/VEDO) | 4 | EA | |
| 9 | PB010184BK | CLOCK SET KNOB *BK* (VESO/VEDO) | 1 | EA | |
| Not Shown | PB010184WH | CLOCK SET KNOBS - WH | 1 | EA | |
| 10 | PJ030001 | SELECTOR SWITCH (8-POSITION) VDSC | 1 | EA | |
| 11 | PJ030003 | THERMOSTAT (SELF-CLEAN) VDSC | 1 | EA | |
| 12 | PE050024 | OVEN IND. LIGHT (LIGHT HOUSING) | 1 | EA | |
| 13 | PE050049 | CLOCK/TIMER(ROBERTSHAW# 100-00550-01 | 1 | EA | NO LONGER AVAILABLE |
| Not Shown | NOTE | (AFTER SERIAL # B04109800901) | | EA | |
| Not Shown | G5004539 | CONV. KIT CLOCK | 1 | EA | NO LONGER AVAILABLE |
| Not Shown | NOTE | (BEFORE SERIAL # B04109800901) | | EA | |
| Not Shown | G5004540 | VEDO205WH CLOCK CONVERSION KIT | 1 | EA | NO LONGER AVAILABLE |
| Not Shown | NOTE | (BEFORE SERIAL # B04109800901) | | EA | |
| Not Shown | G5004541 | VEDO205BK CLOCK CONVERSION KIT | 1 | EA | NO LONGER AVAILABLE |
| Not Shown | NOTE | (BEFORE SERIAL # B04109800901) | | EA | |
| 14 | PE050019 | OVEN LIGHT SWITCH (VGSO166) 90-DEG. | 1 | EA | |
| 15 | PE050023 | OVEN IND. LIGHT (LENS & BEZEL) | 1 | EA | |
| 16 | PB010163 | IGNITER KNOB | 1 | EA | |
| Not Shown | PB010164 | OVEN LIGHT SWITCH KNOB *WH* (VESO/D | 1 | EA | |





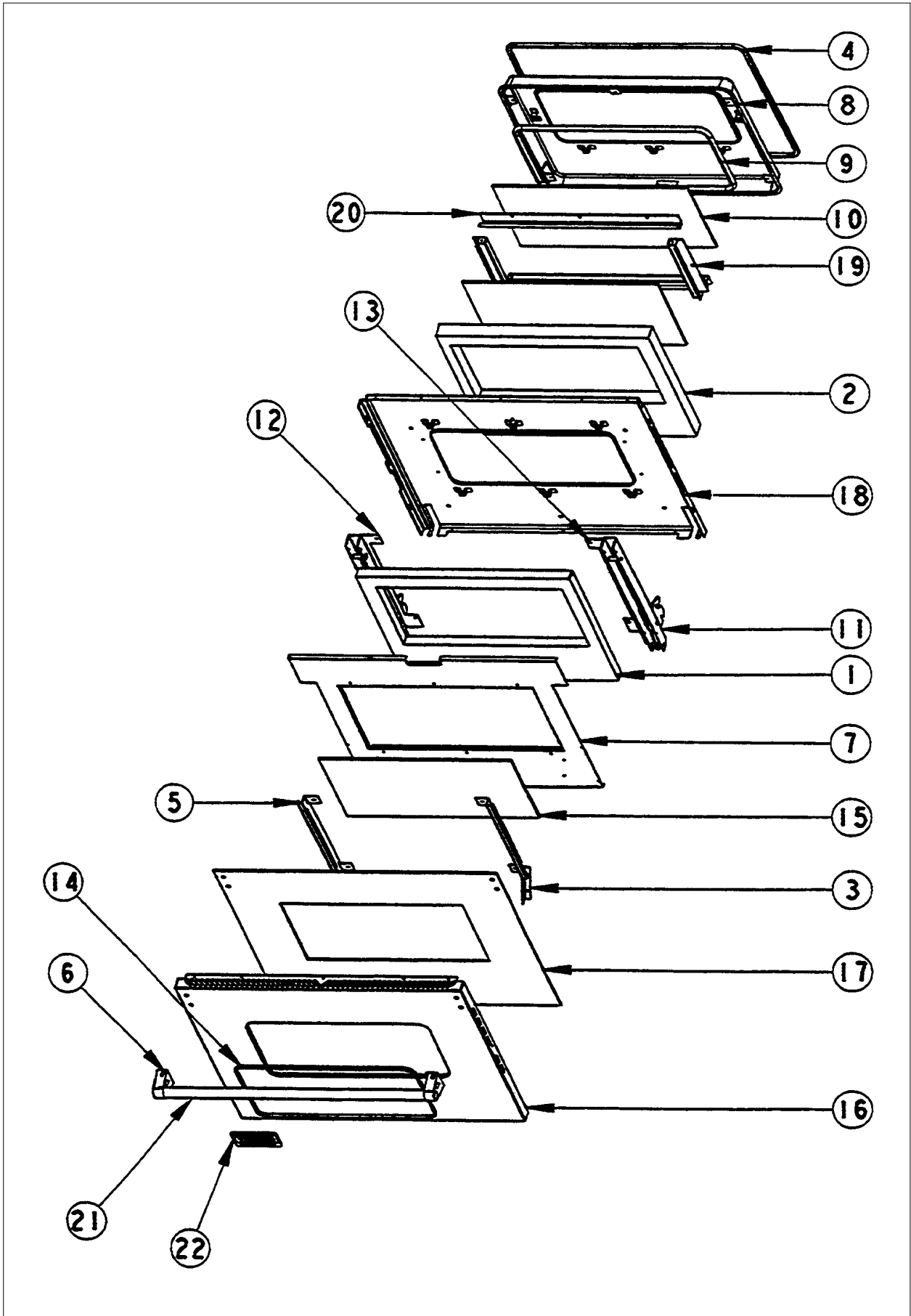
| Item | Part No. | Name | Qty | Uom | NOTES |
|------|----------|---|-----|-----|------------------------|
| 17 | A2002913 | CLOCK MTG BRKT | 1 | EA | |
| 18 | PE040073 | TOP TRIM-EXTRUDED (VESO105/VEDO205) | 1 | EA | |
| 19 | PE040076 | PANEL VENT TRIM-EXTRUDED (VESO/VEDO) | 1 | EA | |
| 20 | PE040069 | SIDE TRIM-EXTRUDED (VEDO205) | 1 | EA | NO LONGER AVAILABLE |
| 21 | PE040075 | CENTER TRIM-EXTRUDED (VEDO205) | 1 | EA | |
| 22 | PJ030012 | THERMOSTAT (SELF-CLEAN) VESO/VEDO | 1 | EA | |

DOOR ASSEMBLY

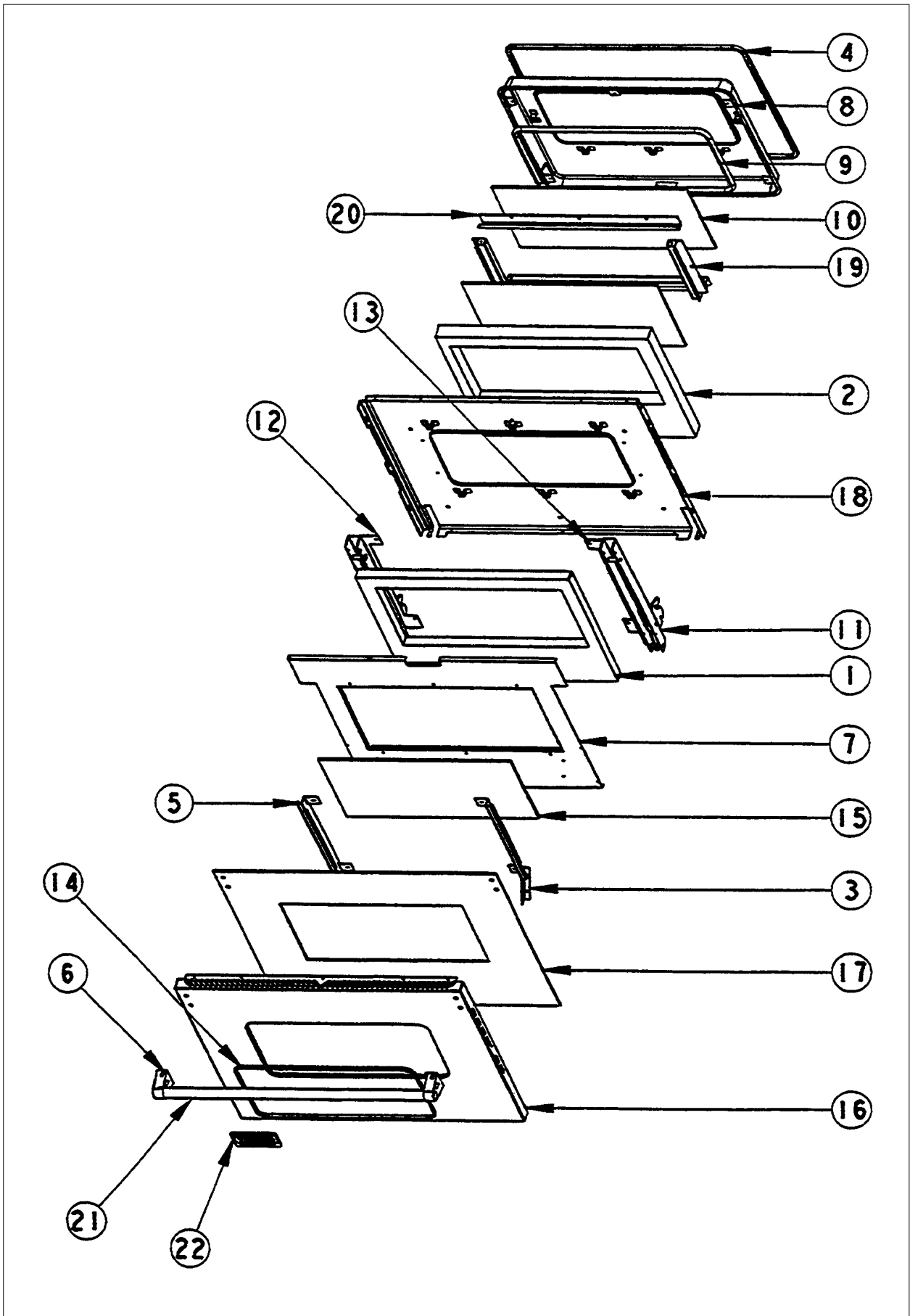




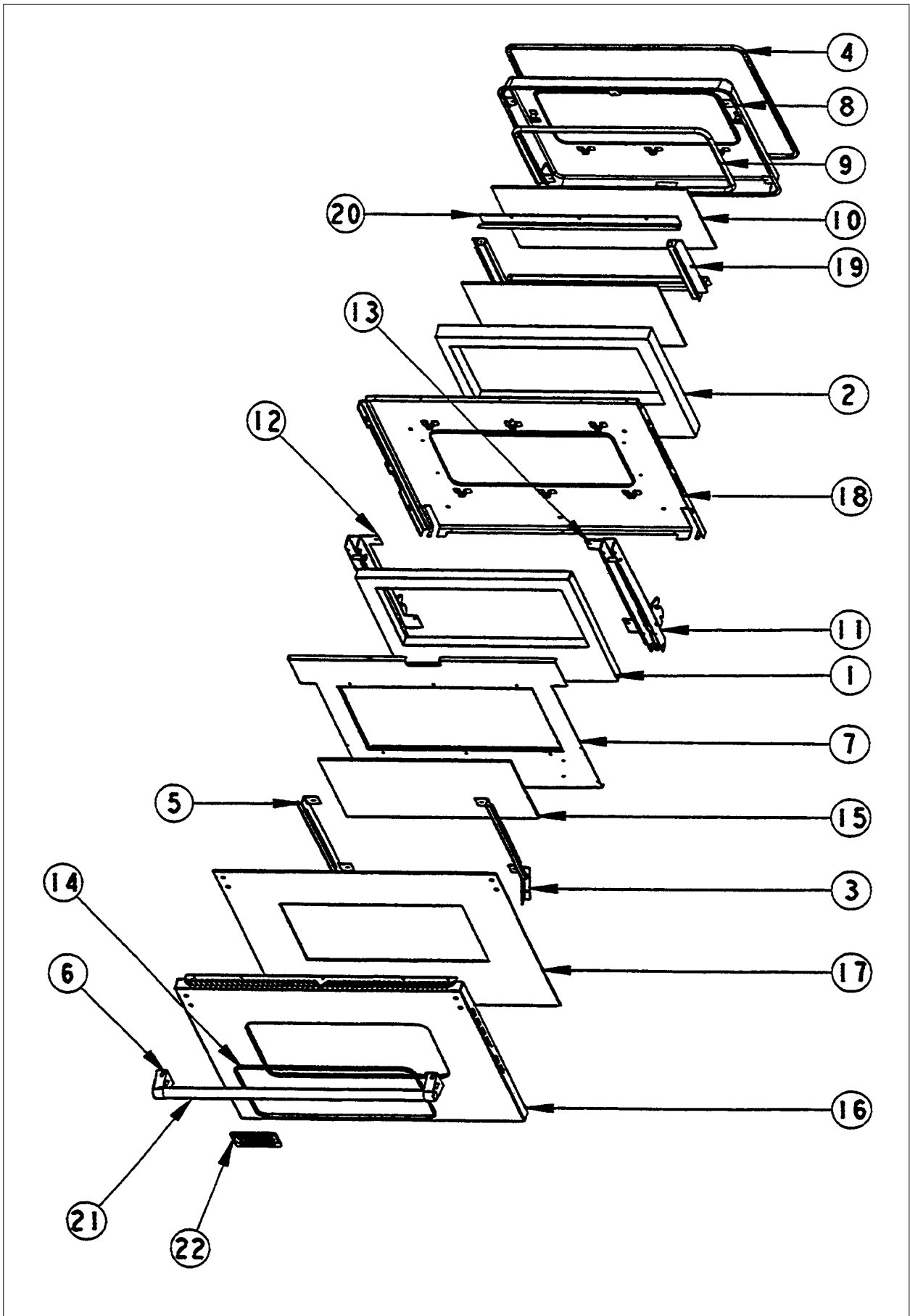
| Item | Part No. | Name | Qty | Uom | NOTES |
|--------------|--------------|------------------------------------|-----|-----|------------------------|
| NI | G3202938AL | UPPER DOOR ASSY *AL* (VEDO) | 1 | EA | NO LONGER AVAILABLE |
| Not Shown | G3202938ALBR | UPPER DOOR ASSY *AL**BR* (VEDO) | 1 | EA | NO LONGER AVAILABLE |
| Not Shown | G3202938BK | UPPER DOOR ASSY *BK* (VEDO) | 1 | EA | NO LONGER AVAILABLE |
| Not Shown | G3202938BKBR | UPPER DOOR ASSY *BK**BR* (VEDO) | 1 | EA | NO LONGER AVAILABLE |
| Not Shown | G3202938BT | UPPER DOOR ASSY *BT* (VEDO) | 1 | EA | NO LONGER AVAILABLE |
| Not Shown | G3202938BTBR | UPPER DOOR ASSY *BT**BR* (VEDO) | 1 | EA | NO LONGER AVAILABLE |
| Not Shown | G3202938BU | UPPER DOOR ASSY *BU* (VEDO) | 1 | EA | NO LONGER AVAILABLE |
| Not Shown | G3202938BUBR | UPPER DOOR ASSY *BU**BR* (VEDO) | 1 | EA | NO LONGER AVAILABLE |
| Not Shown | G3202938CB | UPPER DOOR ASSY *CB* (VEDO) | 1 | EA | NO LONGER AVAILABLE |
| Not Shown | G3202938CBBR | UPPER DOOR ASSY *CB**BR* (VEDO) | 1 | EA | NO LONGER AVAILABLE |
| Not Shown | G3202938EP | UPPER DOOR ASSY *EP* (VEDO) | 1 | EA | NO LONGER AVAILABLE |
| Not Shown | G3202938EPBR | UPPER DOOR ASSY *EP**BR* (VEDO) | 1 | EA | NO LONGER AVAILABLE |
| Not Shown | G3202938FG | UPPER DOOR ASSY *FG* (VEDO) | 1 | EA | NO LONGER AVAILABLE |
| Not Shown | G3202938FGBR | UPPER DOOR ASSY *FG**BR* (VEDO) | 1 | EA | NO LONGER AVAILABLE |
| Not Shown | G3202938GG | UPPER DOOR ASSY *GG* (VEDO) | 1 | EA | NO LONGER AVAILABLE |
| Not Shown | G3202938GGBR | UPPER DOOR ASSY *GG**BR* (VEDO) | 1 | EA | NO LONGER AVAILABLE |
| Not Shown | G3202938LE | UPPER DOOR ASSY *LE* (VEDO) | 1 | EA | NO LONGER AVAILABLE |
| Not Shown | G3202938LEBR | UPPER DOOR ASSY *LE**BR* (VEDO) | 1 | EA | NO LONGER AVAILABLE |
| Not Shown | G3202938LN | UPPER DOOR ASSY *LN* (VEDO) | 1 | EA | NO LONGER AVAILABLE |
| Not Shown | G3202938LNBR | UPPER DOOR ASSY *LN**BR* (VEDO) | 1 | EA | NO LONGER AVAILABLE |
| Not Shown | G3202938MJ | UPPER DOOR ASSY *MJ* (VEDO) | 1 | EA | NO LONGER AVAILABLE |
| Not Shown | G3202938MJBR | UPPER DOOR ASSY *MJ**BR* (VEDO) | 1 | EA | NO LONGER AVAILABLE |



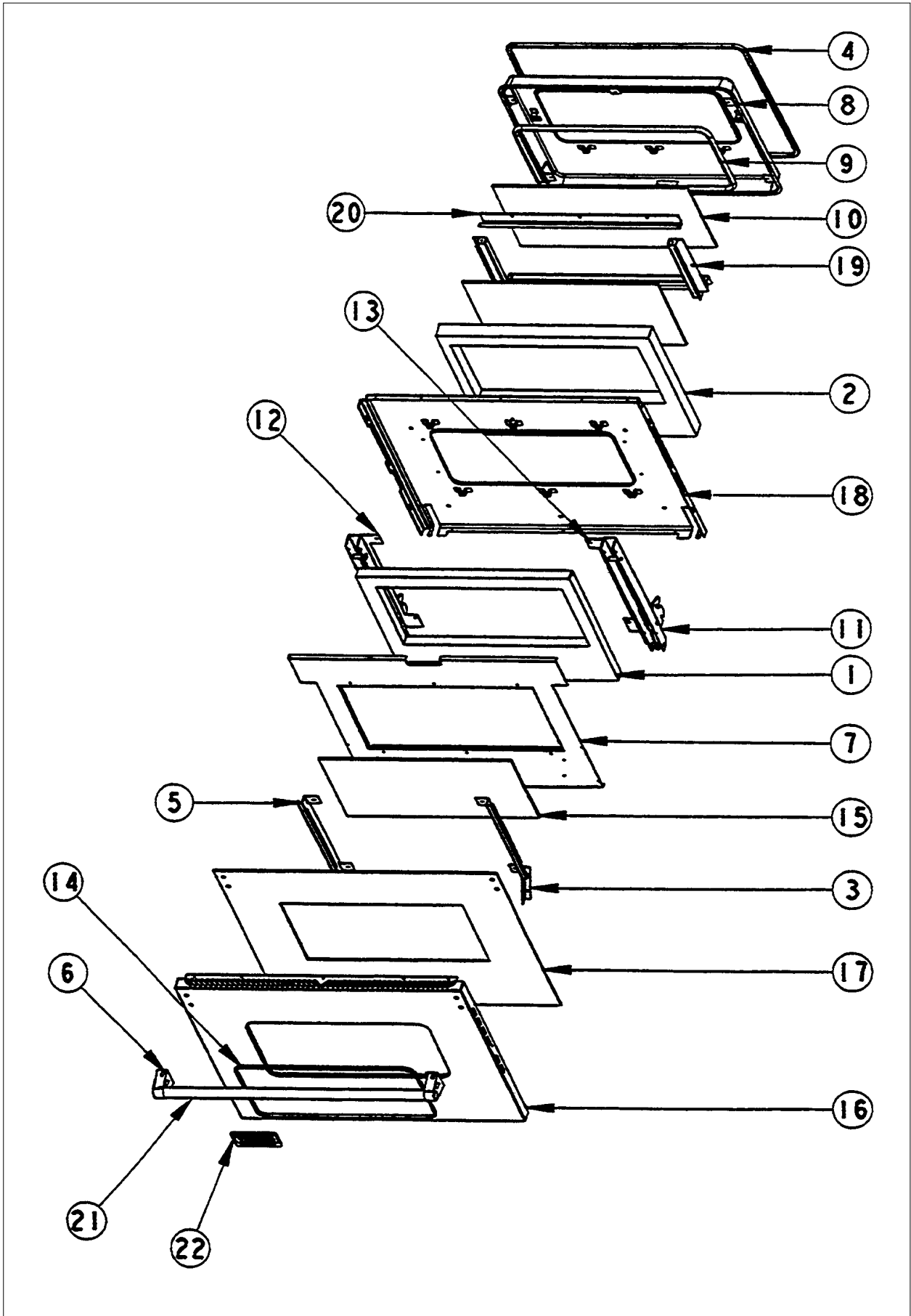
| Item | Part No. | Name | Qty | Uom | NOTES |
|-----------|--------------|---------------------------------|-----|-----|---------------------|
| Not Shown | G3202938PL | UPPER DOOR ASSY *PL* (VEDO) | 1 | EA | NO LONGER AVAILABLE |
| Not Shown | G3202938PLBR | UPPER DOOR ASSY *PL**BR* (VEDO) | 1 | EA | NO LONGER AVAILABLE |
| Not Shown | G3202938SG | UPPER DOOR ASSY *SG* (VEDO) | 1 | EA | NO LONGER AVAILABLE |
| Not Shown | G3202938SGBR | UPPER DOOR ASSY *SG**BR* (VEDO) | 1 | EA | NO LONGER AVAILABLE |
| Not Shown | G3202938SS | UPPER DOOR ASSY *SS* (VEDO) | 1 | EA | NO LONGER AVAILABLE |
| Not Shown | G3202938SSBR | UPPER DOOR ASSY *SS**BR* (VEDO) | 1 | EA | NO LONGER AVAILABLE |
| Not Shown | G3202938VB | UPPER DOOR ASSY *VB* (VEDO) | 1 | EA | NO LONGER AVAILABLE |
| Not Shown | G3202938VBBR | UPPER DOOR ASSY *VB**BR* (VEDO) | 1 | EA | NO LONGER AVAILABLE |
| Not Shown | G3202938WH | UPPER DOOR ASSY *WH* (VEDO) | 1 | EA | NO LONGER AVAILABLE |
| Not Shown | G3202938WHBR | UPPER DOOR ASSY *WH**BR* (VEDO) | 1 | EA | NO LONGER AVAILABLE |
| Not Shown | G3202937AL | DOOR ASSY *AL* (VESO/VEDO) | 1 | EA | NO LONGER AVAILABLE |
| Not Shown | G3202937ALBR | DOOR ASSY *AL**BR* (VESO/VEDO) | 1 | EA | NO LONGER AVAILABLE |
| Not Shown | G3202937BK | DOOR ASSY *BK* (VESO/VEDO) | 1 | EA | NO LONGER AVAILABLE |
| Not Shown | G3202937BKBR | DOOR ASSY *BK**BR* (VESO/VEDO) | 1 | EA | NO LONGER AVAILABLE |
| Not Shown | G3202937BT | DOOR ASSY *BT* (VESO/VEDO) | 1 | EA | NO LONGER AVAILABLE |
| Not Shown | G3202937BTBR | DOOR ASSY *BT**BR* (VESO/VEDO) | 1 | EA | NO LONGER AVAILABLE |
| Not Shown | G3202937BU | DOOR ASSY *BU* (VESO/VEDO) | 1 | EA | NO LONGER AVAILABLE |
| Not Shown | G3202937BUBR | DOOR ASSY *BU**BR* (VESO/VEDO) | 1 | EA | NO LONGER AVAILABLE |
| Not Shown | G3202937CB | DOOR ASSY *CB* (VESO/VEDO) | 1 | EA | NO LONGER AVAILABLE |
| Not Shown | G3202937CBBR | DOOR ASSY *CB**BR* (VESO/VEDO) | 1 | EA | NO LONGER AVAILABLE |
| Not Shown | G3202937EP | DOOR ASSY *EP* (VESO/VEDO) | 1 | EA | NO LONGER AVAILABLE |
| Not Shown | G3202937EPBR | DOOR ASSY *EP**BR* (VESO/VEDO) | 1 | EA | NO LONGER AVAILABLE |



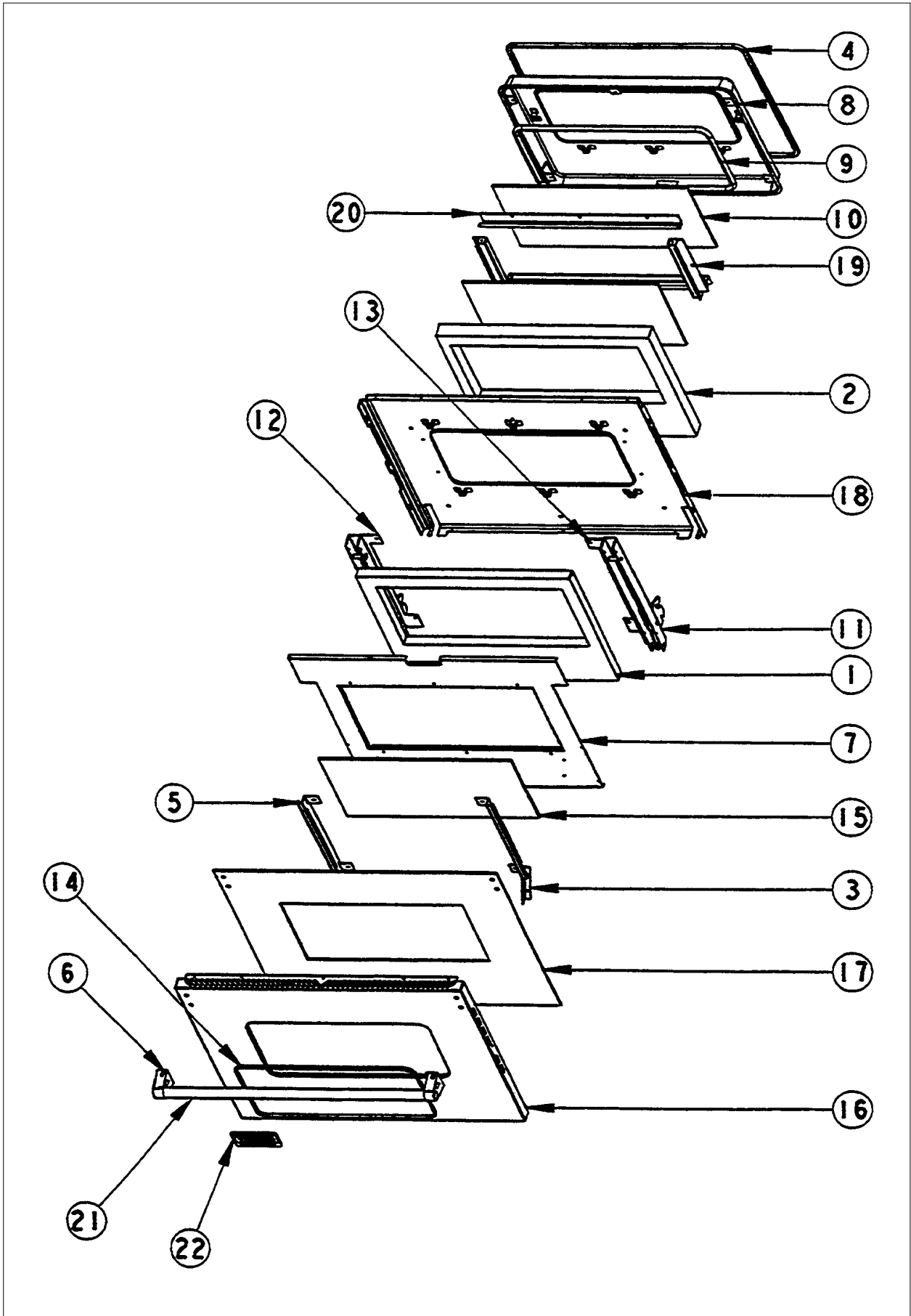
| Item | Part No. | Name | Qty | Uom | NOTES |
|-----------|--------------|-------------------------------------|-----|-----|---------------------|
| Not Shown | G3202937FG | DOOR ASSY *FG* (VESO/VEDO) | 1 | EA | NO LONGER AVAILABLE |
| Not Shown | G3202937FGBR | DOOR ASSEMBLY - FGBR | 1 | EA | |
| Not Shown | G3202937GG | DOOR ASSY *GG* (VESO/VEDO) | 1 | EA | NO LONGER AVAILABLE |
| Not Shown | G3202937GGBR | DOOR ASSY *GG*BR* (VESO/VEDO) | 1 | EA | NO LONGER AVAILABLE |
| Not Shown | G3202937LE | DOOR ASSY *LE* (VESO/VEDO) | 1 | EA | NO LONGER AVAILABLE |
| Not Shown | G3202937LEBR | DOOR ASSY *LE**BR* (VESO/VEDO) | 1 | EA | NO LONGER AVAILABLE |
| Not Shown | G3202937LN | DOOR ASSY *LN* (VESO/VEDO) | 1 | EA | NO LONGER AVAILABLE |
| Not Shown | G3202937LNBR | DOOR ASSEMBLY - LNBR | 1 | EA | |
| Not Shown | G3202937MJ | DOOR ASSY *MJ* (VESO/VEDO) | 1 | EA | NO LONGER AVAILABLE |
| Not Shown | G3202937MJBR | DOOR ASSY *MJ**BR* (VESO/VEDO) | 1 | EA | NO LONGER AVAILABLE |
| Not Shown | G3202937PL | DOOR ASSY *PL* (VESO/VEDO) | 1 | EA | NO LONGER AVAILABLE |
| Not Shown | G3202937PLBR | DOOR ASSY *PL**BR* (VESO/VEDO) | 1 | EA | NO LONGER AVAILABLE |
| Not Shown | G3202937SG | DOOR ASSY *SG* (VESO/VEDO) | 1 | EA | NO LONGER AVAILABLE |
| Not Shown | G3202937SGBR | DOOR ASSY *SG**BR* (VESO/VEDO) | 1 | EA | NO LONGER AVAILABLE |
| Not Shown | G3202937SS | DOOR ASSY *SS* (VESO/VEDO) | 1 | EA | |
| Not Shown | G3202937SSBR | DOOR ASSY *SS**BR* (VESO/VEDO) | 1 | EA | NO LONGER AVAILABLE |
| Not Shown | G3202937VB | DOOR ASSY *VB* (VESO/VEDO) | 1 | EA | NO LONGER AVAILABLE |
| Not Shown | G3202937VBRR | DOOR ASSY *VB**BR* (VESO/VEDO) | 1 | EA | NO LONGER AVAILABLE |
| Not Shown | G3202937WH | DOOR ASSY *WH* (VESO/VEDO) | 1 | EA | NO LONGER AVAILABLE |
| Not Shown | G3202937WHBR | DOOR ASSY *WH**BR* (VESO/VEDO) WH/B | 1 | EA | NO LONGER AVAILABLE |
| 1 | PB070034 | INSULATION 1" X 24" | 1 | EA | |
| 2 | PB070038 | TRS-10 2" X 24" X 3' INSULATION | 1 | EA | |



| Item | Part No. | Name | Qty | Uom | NOTES |
|---|-------------|--|-----|-----|---------------------|
| 3 | A2002497 | DOOR GUIDE ANGLE VDSC | 1 | EA | |
| 4 | 000623-000 | SUB TO 000623-000 - DOOR GASKET(3/8"DIA.) (VDSC) | 1 | EA | |
| 5 | A2002367 | DOOR GLASS BRKT | 1 | EA | |
| 6 | PE030001 | BRACKET, DOOR, HANDLE | 1 | EA | |
| Comments for Part Num. PE030001 gboltz@VikingRange.com on Jun 11, 2015 This is a test by George Boltz 6/11/15 | | | | | |
| Not Shown | PE030001PVD | END CAP DOOR HANDLE *BR | 1 | EA | |
| 7 | A2002930 | DOOR INSUL. RET. FORMED | 1 | EA | |
| 8 | G50010123 | VESO105/VEDO205 DR LINER SVC-KIT | 1 | EA | |
| 9 | PB070040 | FIBERGLASS ROPE | 1 | EA | |
| 10 | PE060039 | GLASS-HEAT TREATED (HB2) VDSC | 1 | EA | |
| 11 | PC020188 | DOOR HINGE | 1 | EA | |
| 12 | A2002960 | HINGE BRACKET - LH (VEDO/VESO) | 1 | EA | |
| 13 | A2002962 | HINGE BRACKET - RH (VEDO/VESO) | 1 | EA | |
| 14 | PE060031 | J-MOLD (LARGE WINDOW) | 1 | EA | |
| Not Shown | PE060045 | J-MOLD (LARGE WINDOW) *BR* | 1 | EA | |
| 15 | PE060030 | GLASS-OUTER DOOR BK SCREENED, TEMP | 1 | EA | |
| 16 | B2002940 | O/S DOOR PANEL *SS* (VEDO205) | 1 | EA | |
| Not Shown | B2002931 | O/S DOOR PANEL *SS* (VEDO/VESO) | 1 | EA | |
| Not Shown | C9002940AL | O/S DOOR PANEL *AL* (VEDO) | 1 | EA | NO LONGER AVAILABLE |
| Not Shown | C9002940BK | O/S DOOR PANEL *BK* (VEDO) | 1 | EA | NO LONGER AVAILABLE |
| Not Shown | C9002940BT | O/S DOOR PANEL *BT* (VEDO) | 1 | EA | NO LONGER AVAILABLE |
| Not Shown | C9002940BU | O/S DOOR PANEL *BU* (VEDO) | 1 | EA | NO LONGER AVAILABLE |

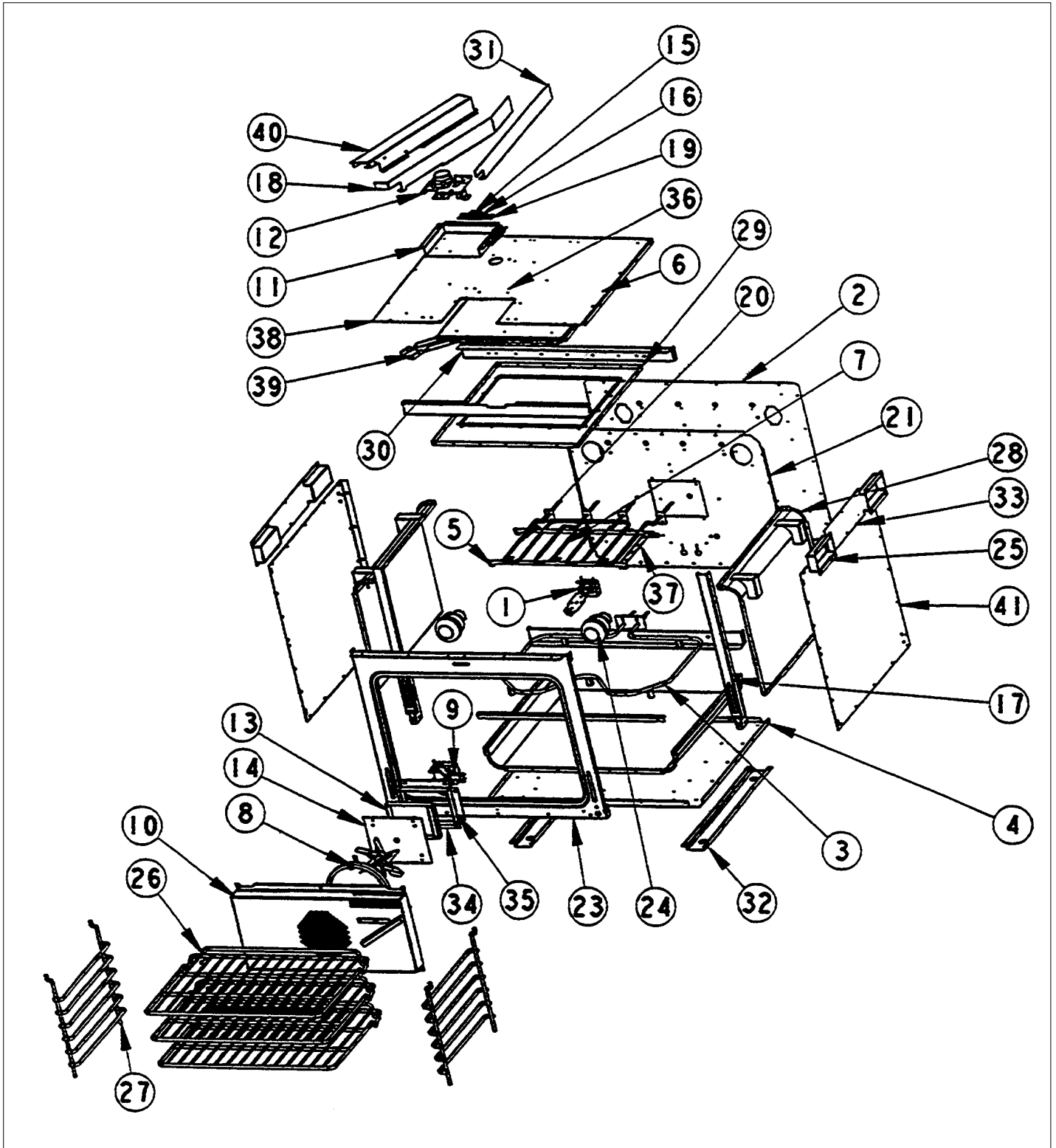


| Item | Part No. | Name | Qty | Uom | NOTES |
|-----------|------------|---------------------------------|-----|-----|---------------------|
| Not Shown | C9002940CB | O/S DOOR PANEL *CB* (VEDO) | 1 | EA | NO LONGER AVAILABLE |
| Not Shown | C9002940EP | O/S DOOR PANEL *EP* (VEDO) | 1 | EA | NO LONGER AVAILABLE |
| Not Shown | C9002940FG | O/S DOOR PANEL *FG* (VEDO) | 1 | EA | NO LONGER AVAILABLE |
| Not Shown | C9002940GG | O/S DOOR PANEL *GG* (VDO) | 1 | EA | NO LONGER AVAILABLE |
| Not Shown | C9002940LE | O/S DOOR PANEL *LE* (VEDO) | 1 | EA | NO LONGER AVAILABLE |
| Not Shown | C9002940LN | O/S DOOR PANEL *LN* (VEDO) | 1 | EA | NO LONGER AVAILABLE |
| Not Shown | C9002940MJ | O/S DOOR PANEL *MJ* (VEDO) | 1 | EA | NO LONGER AVAILABLE |
| Not Shown | C9002940PL | O/S DOOR PANEL *PL* (VEDO) | 1 | EA | NO LONGER AVAILABLE |
| Not Shown | C9002940SG | O/S DOOR PANEL *SG* (VEDO) | 1 | EA | NO LONGER AVAILABLE |
| Not Shown | C9002940VB | O/S DOOR PANEL *VB* (VEDO) | 1 | EA | NO LONGER AVAILABLE |
| Not Shown | C9002940WH | O/S DOOR PANEL *WH* (VEDO) | 1 | EA | NO LONGER AVAILABLE |
| Not Shown | C9002931AL | O/S DOOR PANEL *AL* (VEDO/VESO) | 1 | EA | NO LONGER AVAILABLE |
| Not Shown | C9002931BK | O/S DOOR PANEL *BK* (VEDO/VESO) | 1 | EA | |
| Not Shown | C9002931BT | O/S DOOR PANEL *BT* (VEDO/VESO) | 1 | EA | NO LONGER AVAILABLE |
| Not Shown | C9002931BU | O/S DOOR PANEL *BU* (VEDO/VESO) | 1 | EA | NO LONGER AVAILABLE |
| Not Shown | C9002931CB | O/S DOOR PANEL *CB* (VEDO/VESO) | 1 | EA | NO LONGER AVAILABLE |
| Not Shown | C9002931EP | O/S DOOR PANEL *EP* (VEDO/VESO) | 1 | EA | NO LONGER AVAILABLE |
| Not Shown | C9002931FG | O/S DOOR PANEL *FG* (VEDO/VESO) | 1 | EA | NO LONGER AVAILABLE |
| Not Shown | C9002931GG | O/S DOOR PANEL *GG* (VESO/VESO) | 1 | EA | NO LONGER AVAILABLE |
| Not Shown | C9002931LE | O/S DOOR PANEL *LE* (VEDO/VESO) | 1 | EA | NO LONGER AVAILABLE |
| Not Shown | C9002931LN | O/S DOOR PANEL *LN* (VESO/VEDO) | 1 | EA | NO LONGER AVAILABLE |
| Not Shown | C9002931MJ | O/S DOOR PANEL *MJ* (VEDO/VESO) | 1 | EA | NO LONGER AVAILABLE |



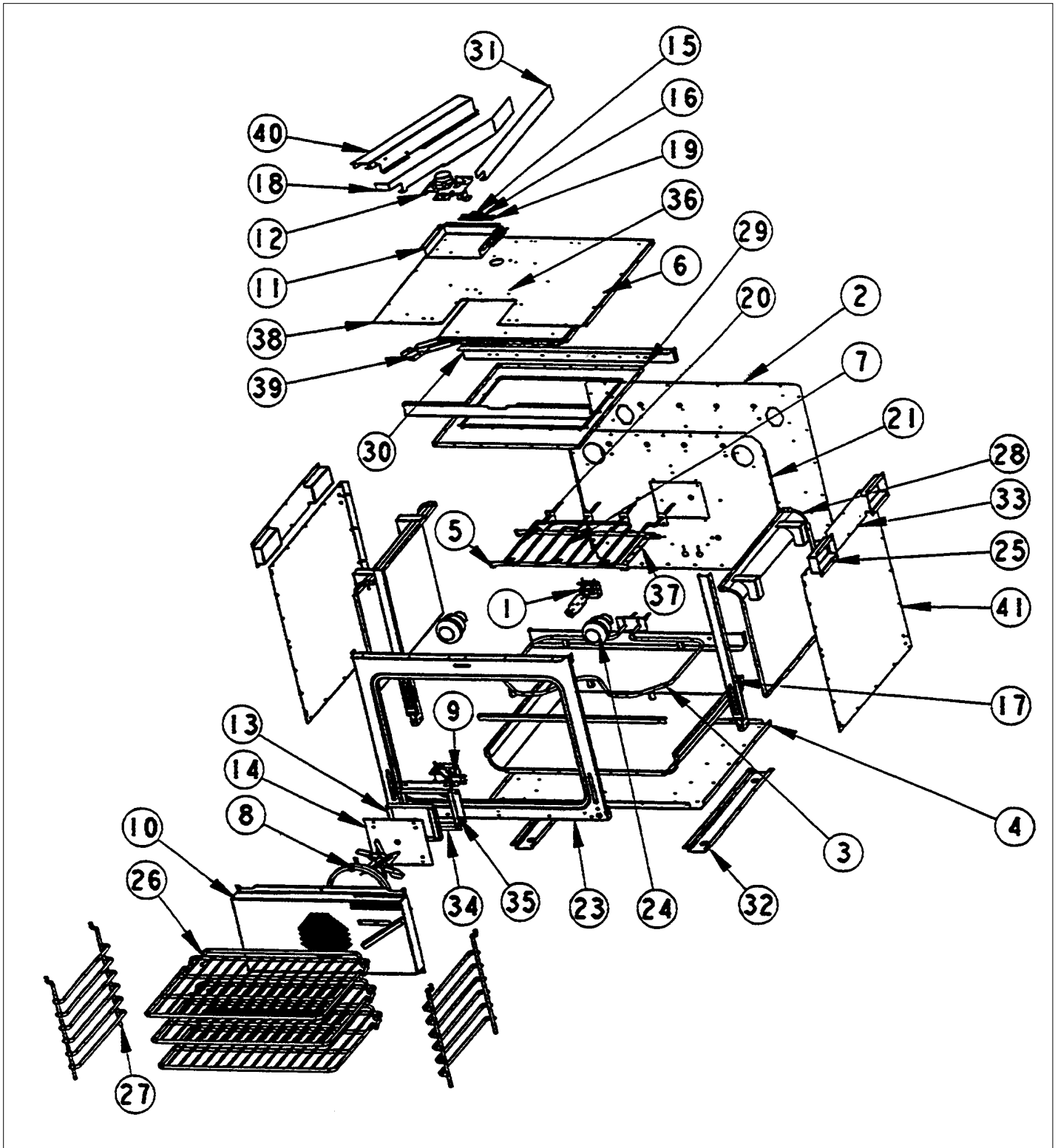
| Item | Part No. | Name | Qty | Uom | NOTES |
|-----------|------------|-------------------------------------|-----|-----|---------------------|
| Not Shown | C9002931PL | O/S DOOR PANEL *PL* (VEDO/VESO) | 1 | EA | NO LONGER AVAILABLE |
| Not Shown | C9002931SG | O/S DOOR PANEL *SG* (VEDO/VESO) | 1 | EA | |
| Not Shown | C9002931VB | O/S DOOR PANEL *VB* (VEDO/VESO) | 1 | EA | NO LONGER AVAILABLE |
| Not Shown | C9002931WH | O/S DOOR PANEL *WH* (VEDO/VESO) | 1 | EA | NO LONGER AVAILABLE |
| 17 | J1002939 | OVEN DR HEAT SINK (VESO/DO) | 1 | EA | |
| 18 | G50010123 | VESO105/VEDO205 DR LINER SVC-KIT | 1 | EA | |
| 19 | E9102179 | WINDOW LINER-SIDE (VDSC) | 1 | EA | |
| 20 | E9102178 | WINDOW LINER-TOP/BTM (VDSC) | 1 | EA | |
| 21 | F0002944SS | DOOR HANDLE - SS | 1 | EA | |
| Not Shown | F0002944BR | DOOR HANDLE-VEDO/VESO (CUT-TO-SIZE) | 1 | EA | NO LONGER AVAILABLE |
| 22 | PE010016 | NAMEPLATE, LOGO, PRO | 1 | EA | |
| Not Shown | PE010017 | LOGO (VGSO,VEDO,VGDO,VUD) *WH/CHR | 1 | EA | |
| Not Shown | PE010079 | 4.5" LOGO/VIKING PROF, BK/BR | 1 | EA | |
| Not Shown | PE010080 | 4.5" LOGO/VIKING PROF *WH/BR | 1 | EA | |
| NI | B1009167 | HINGE CLIP | 1 | EA | |
| NI | PE060064 | WINDOW PACK, SELF CLEANING OVEN 30" | 1 | EA | |

LOWER OVEN



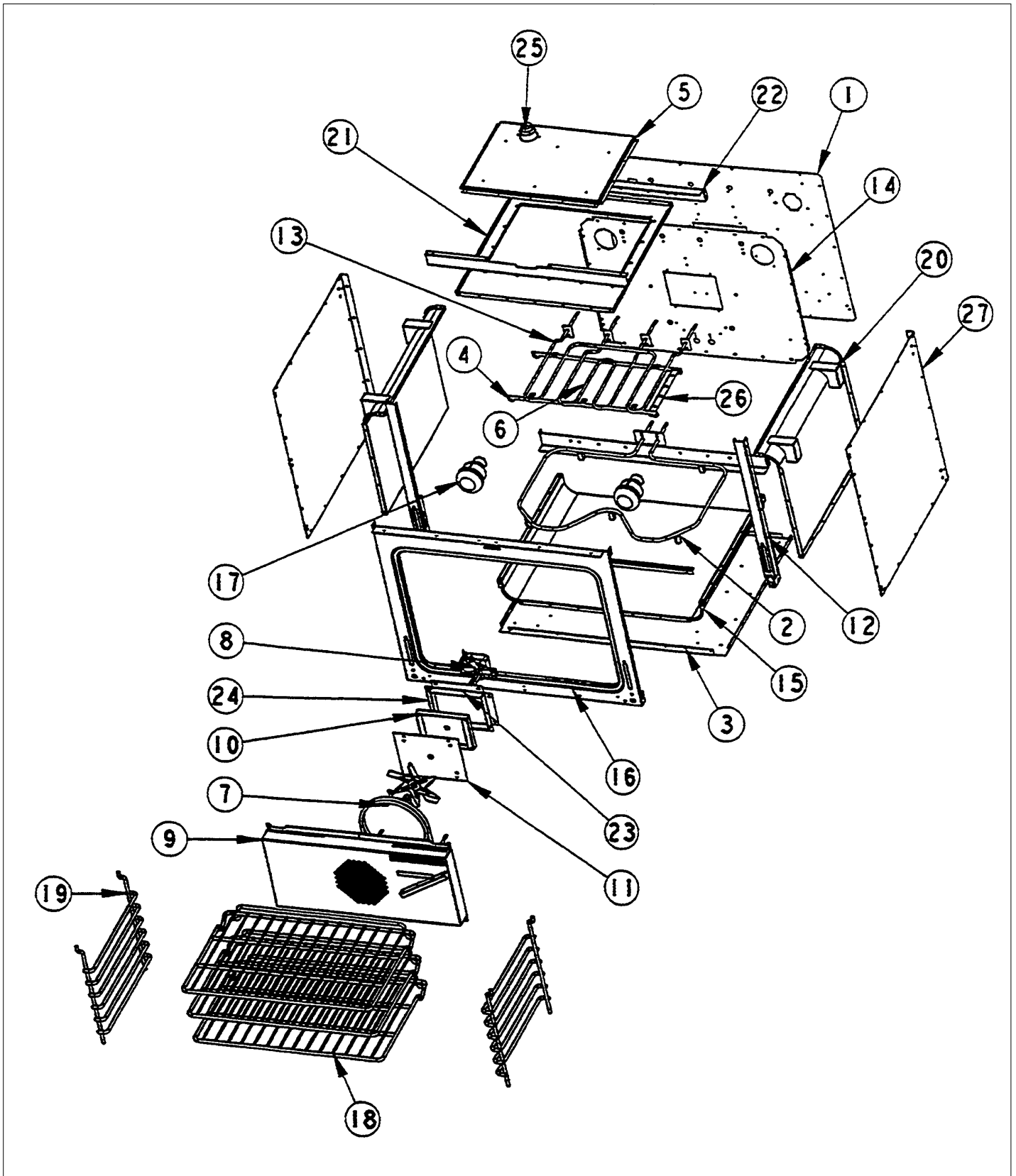


| Item | Part No. | Name | Qty | Uom | NOTES |
|--------------|----------|---|-----|-----|------------------------|
| 1 | PJ030002 | AUTO RESET (SELF-CLEAN) VDSC | 1 | EA | |
| 2 | A1002905 | BACK INSULATION RETAINER - VESO/VEDO | 1 | EA | NO LONGER AVAILABLE |
| 3 | PJ010004 | BAKE ELEMENT (VDSC) 240V | 1 | EA | |
| 4 | A2002961 | BOTTOM INSULATION RETAINER(VEDO/SO) | 1 | EA | NO LONGER AVAILABLE |
| 5 | B2002185 | BROIL ELEMENT BRKT (VDSC) | 1 | EA | |
| 6 | B2002167 | BROILER TOP (VDSC) | 1 | EA | NO LONGER AVAILABLE |
| 7 | PJ010001 | BROIL ELEMENT 240V | 1 | EA | |
| 8 | PJ010003 | CONVECTION ELEMENT (VDSC) 240V | 1 | EA | |
| 9 | PE050005 | CONVECTION FAN ASSY | 1 | EA | |
| 10 | G9102749 | CONVECTION FAN COVER ASSY (VDSC30) | 1 | EA | NO LONGER AVAILABLE |
| 11 | A2002168 | DOOR LATCH BRKT (VDSC) | 1 | EA | |
| 12 | PE050053 | DR LATCH REPL PE050020 | 1 | EA | |
| Not Shown | NOTE | (BEFORE 10-1-02) | | EA | |
| Not Shown | PE050112 | DOOR LATCH | 1 | EA | |
| Not Shown | NOTE | (AFTER 10-1-02) | | EA | |
| 13 | A2002595 | CONVECTION FAN BOX (VDSC) | 1 | EA | |
| 14 | A1002596 | CONVECTION FAN COVER (VDSC) | 1 | EA | |
| 15 | PJ030005 | SWITCH (HIGH-LIMIT) VDSC | 1 | EA | |
| 16 | PJ030006 | SWITCH (COOLING FAN) | 1 | EA | |
| 17 | PC020016 | HINGE RECEIVER (VEDO/VEDO) | 1 | EA | |
| 18 | A2002920 | LEFT AIR CHANNEL | 1 | EA | NO LONGER AVAILABLE |
| 19 | A1002456 | THERMO-DISC BRKT (VDSC) | 1 | EA | |
| 20 | PJ010002 | BROIL ELEMENT(MAXI)-SIDE (VDSC)240V | 1 | EA | |
| 21 | E9102741 | OVEN BACK (VDSC30) | 1 | EA | NO LONGER AVAILABLE |
| 22 | E9102152 | OVEN BTM (VDSC) | 1 | EA | NO LONGER AVAILABLE |

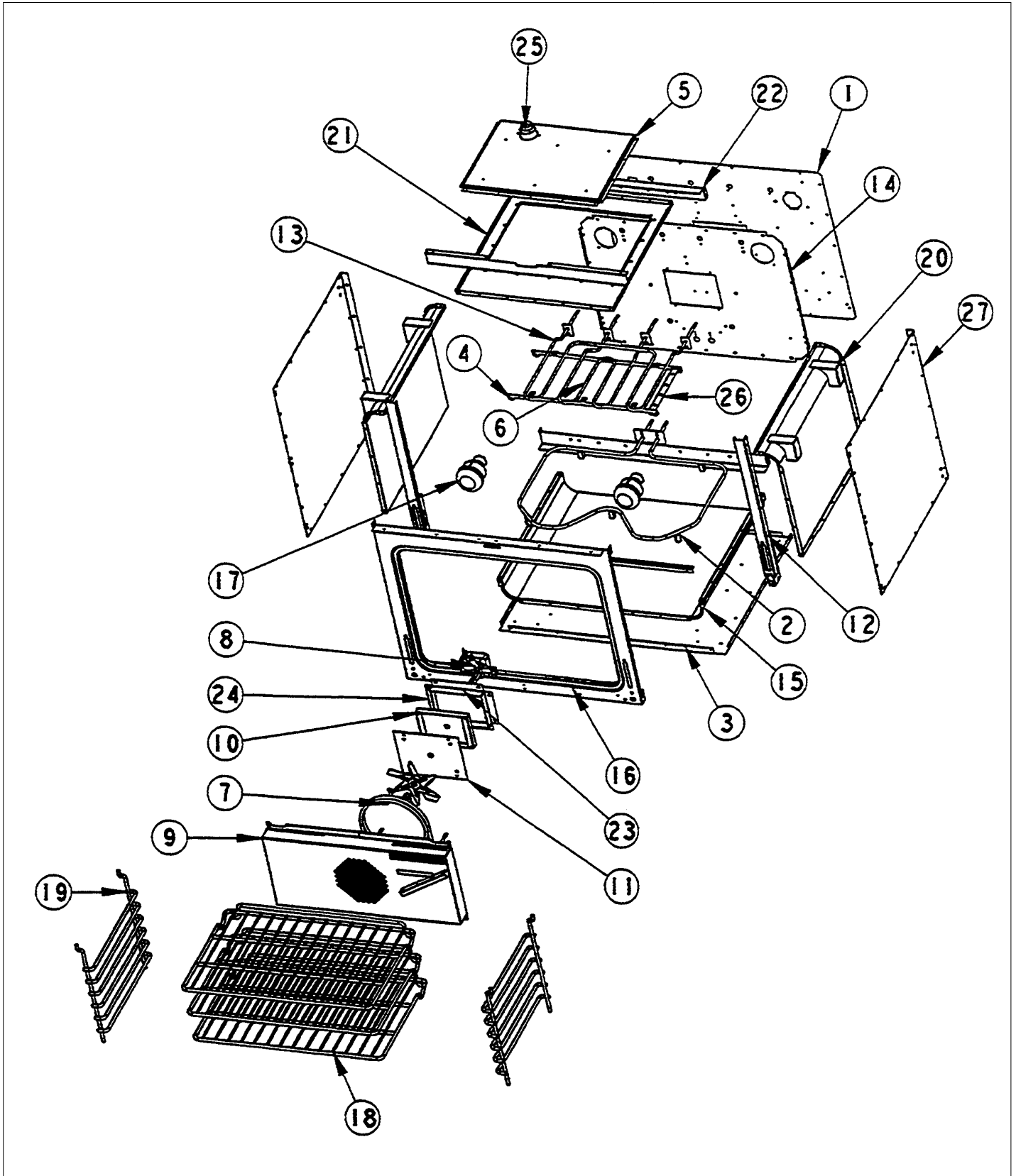


| Item | Part No. | Name | Qty | Uom | NOTES |
|------|------------|-----------------------------------|-----|-----|---------------------|
| 23 | G9102901 | OVEN FRONT FRAME ASSY (VEDO/VESO) | 1 | EA | NO LONGER AVAILABLE |
| 24 | 031449-000 | LAMP, ASM | 1 | EA | |
| 25 | A2002919 | OVEN MOUNTING BRKT | 1 | EA | NO LONGER AVAILABLE |
| 26 | PB060044 | OVEN RACK | 1 | EA | |
| 27 | PB060030 | OVEN RACK SUPPORT | 1 | EA | |
| 28 | G9102736 | OVEN SIDE ASSEMBLY | 1 | EA | |
| 29 | E9102153 | OVEN TOP (VDSC) | 1 | EA | NO LONGER AVAILABLE |
| 30 | A2002158 | REAR OVEN SUPT (VDSC) | 1 | EA | NO LONGER AVAILABLE |
| 31 | A2002921 | RIGHT AIR CHANNEL | 1 | EA | NO LONGER AVAILABLE |
| 32 | A2002902 | RUNNER | 1 | EA | NO LONGER AVAILABLE |
| 33 | A1002953 | SIDE COVER - VESO/VEDO | 1 | EA | NO LONGER AVAILABLE |
| 34 | A2001745 | UPPER/LOWER FAN INSUL. SHIELD | 1 | EA | |
| 35 | A2001746 | FAN INSULATION SHIELD - SIDE | 1 | EA | |
| 36 | PM010014 | SMOKE ELIMINATOR (VDSC) | 1 | EA | |
| 37 | B2002489 | THERMAL BULB SHIELD (VDSC) | 1 | EA | |
| 38 | A2002923 | OVEN TOP INSUL. RET. | 1 | EA | NO LONGER AVAILABLE |
| 39 | A2002909 | VENT BTM | 1 | EA | NO LONGER AVAILABLE |
| 40 | A2002910 | VENT TOP | 1 | EA | NO LONGER AVAILABLE |
| 41 | A2002904 | SIDE INSULATION RETAINER | 1 | EA | NO LONGER AVAILABLE |

UPPER OVEN



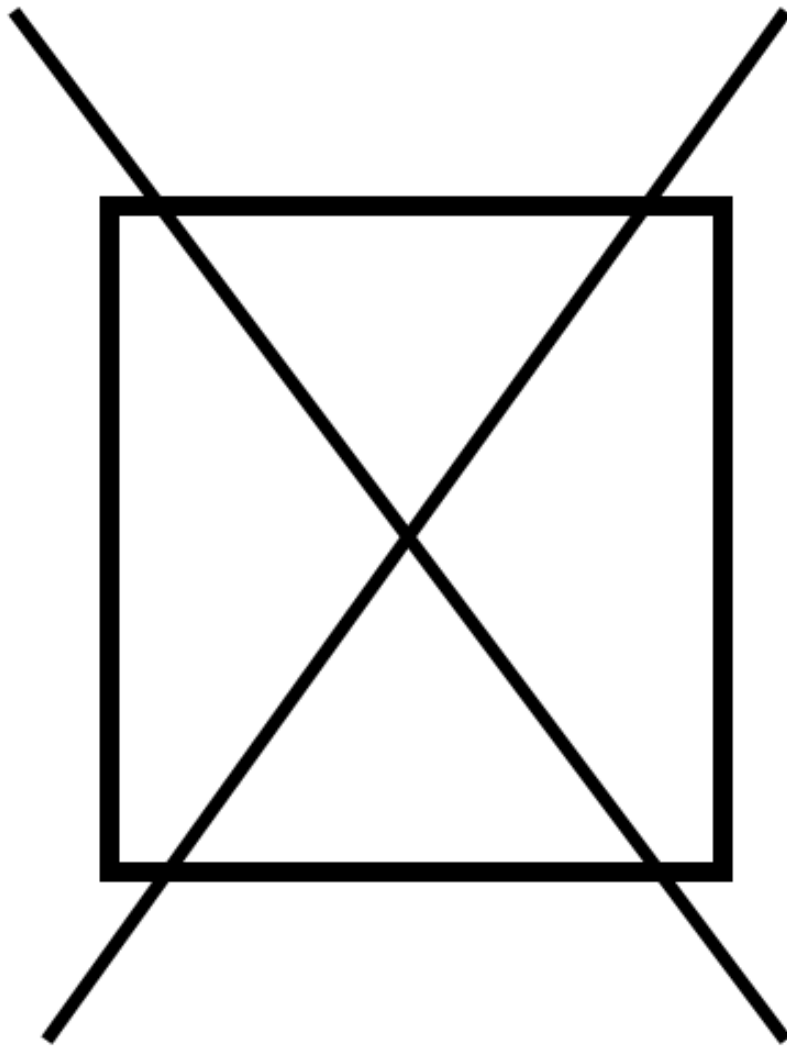
| Item | Part No. | Name | Qty | Uom | NOTES |
|------|------------|--------------------------------------|-----|-----|---------------------|
| 1 | A1002905 | BACK INSULATION RETAINER - VESO/VEDO | 1 | EA | NO LONGER AVAILABLE |
| 2 | PJ010004 | BAKE ELEMENT (VDSC) 240V | 1 | EA | |
| 3 | A2002961 | BOTTOM INSULATION RETAINER(VEDO/SO) | 1 | EA | NO LONGER AVAILABLE |
| 4 | B2002185 | BROIL ELEMENT BRKT (VDSC) | 1 | EA | |
| 5 | B2002167 | BROILER TOP (VDSC) | 1 | EA | NO LONGER AVAILABLE |
| 6 | PJ010001 | BROIL ELEMENT 240V | 1 | EA | |
| 7 | PJ010003 | CONVECTION ELEMENT (VDSC) 240V | 1 | EA | |
| 8 | PE050005 | CONVECTION FAN ASSY | 1 | EA | |
| 9 | G9102749 | CONVECTION FAN COVER ASSY (VDSC30) | 1 | EA | NO LONGER AVAILABLE |
| 10 | A2002595 | CONVECTION FAN BOX (VDSC) | 1 | EA | |
| 11 | A1002596 | CONVECTION FAN COVER (VDSC) | 1 | EA | |
| 12 | PC020016 | HINGE RECEIVER (VEDO/VEDO) | 1 | EA | |
| 13 | PJ010002 | BROIL ELEMENT(MAXI)-SIDE (VDSC)240V | 1 | EA | |
| 14 | E9102741 | OVEN BACK (VDSC30) | 1 | EA | NO LONGER AVAILABLE |
| 15 | E9102152 | OVEN BTM (VDSC) | 1 | EA | NO LONGER AVAILABLE |
| 16 | G9102901 | OVEN FRONT FRAME ASSY (VEDO/VESO) | 1 | EA | NO LONGER AVAILABLE |
| 17 | 031449-000 | LAMP, ASM | 1 | EA | |
| 18 | PB060044 | OVEN RACK | 1 | EA | |
| 19 | PB060030 | OVEN RACK SUPPORT | 1 | EA | |
| 20 | G9102736 | OVEN SIDE ASSEMBLY | 1 | EA | |
| 21 | E9102153 | OVEN TOP (VDSC) | 1 | EA | NO LONGER AVAILABLE |
| 22 | A2002158 | REAR OVEN SUPT (VDSC) | 1 | EA | NO LONGER AVAILABLE |
| 23 | A2001745 | UPPER/LOWER FAN INSUL. SHIELD | 1 | EA | |
| 24 | A2001746 | FAN INSULATION SHIELD - SIDE | 1 | EA | |
| 25 | PM010014 | SMOKE ELIMINATOR (VDSC) | 1 | EA | |





| Item | Part No. | Name | Qty | Uom | NOTES |
|------|----------|-------------------------------|-----|-----|------------------------|
| 26 | B2002489 | THERMAL BULB SHIELD (VDSC) | 1 | EA | |
| 27 | A2002904 | SIDE INSULATION RETAINER | 1 | EA | NO LONGER AVAILABLE |

NON
ILLUSTRATED PART





| Item | Part No. | Name | Qty | Uom | NOTES |
|------|----------|-------------------------------------|-----|-----|---------------------|
| NI | PE070190 | HARNESS-VESO/VEDO | 1 | EA | NO LONGER AVAILABLE |
| NI | PE070191 | HARNESS-VESO/VEDO | 1 | EA | |
| NI | PE070192 | HARNESS-VEDO205 | 1 | EA | NO LONGER AVAILABLE |
| NI | PE070193 | HARNESS-VEDO205 | 1 | EA | NO LONGER AVAILABLE |
| NI | PE070208 | .250 SPLIT MALE CONNECTOR | 2 | EA | |
| NI | G4002968 | BLACK JUMPER | 1 | EA | NO LONGER AVAILABLE |
| NI | G4005499 | SUPPLY WIRE - 100" RED 10GA SO/DO | 1 | EA | |
| NI | G4005496 | SUPPLY WIRE - 100" BK 10GA SO/DO | 1 | EA | |
| NI | G4005497 | SUPPLY WIRE - 100" GREEN 10GA SO/DO | 2 | EA | |
| NI | G4007449 | SAILSWITCH BYPASS WIRE (VESO/VEDO) | 4 | EA | NO LONGER AVAILABLE |
| NI | G4007448 | FAN SWITCH JUMPER WIRE (VESO/VEDO) | 1 | EA | NO LONGER AVAILABLE |



Appendix B:Parts Index

| | | | |
|------------|---------|------------|------|
| 000623-000 | 3 | B1009167 | 3 |
| 031449-000 | 4, 5 | B2002167 | 4, 5 |
| A1002456 | 1, 1, 4 | B2002185 | 4, 5 |
| A1002596 | 4, 5 | B2002489 | 4, 5 |
| A1002905 | 4, 5 | B2002931 | 3 |
| A1002947 | 1 | B2002940 | 3 |
| A1002953 | 4 | B9202924 | 2, 2 |
| A2001745 | 4, 5 | B9204535 | 2 |
| A2001746 | 4, 5 | C9002931AL | 3 |
| A2002158 | 4, 5 | C9002931BK | 3 |
| A2002168 | 4 | C9002931BT | 3 |
| A2002367 | 3 | C9002931BU | 3 |
| A2002497 | 3 | C9002931CB | 3 |
| A2002595 | 4, 5 | C9002931EP | 3 |
| A2002902 | 4 | C9002931FG | 3 |
| A2002904 | 4, 5 | C9002931GG | 3 |
| A2002906 | 1, 1 | C9002931LE | 3 |
| A2002909 | 1, 4 | C9002931LN | 3 |
| A2002910 | 1, 4 | C9002931MJ | 3 |
| A2002911 | 1 | C9002931PL | 3 |
| A2002913 | 2 | C9002931SG | 3 |
| A2002919 | 4 | C9002931VB | 3 |
| A2002920 | 4 | C9002931WH | 3 |
| A2002921 | 4 | C9002940AL | 3 |
| A2002923 | 4 | C9002940BK | 3 |
| A2002926 | 1 | C9002940BT | 3 |
| A2002930 | 3 | C9002940BU | 3 |
| A2002932 | 2 | C9002940CB | 3 |
| A2002948 | 1 | C9002940EP | 3 |
| A2002949 | 1 | C9002940FG | 3 |
| A2002950 | 1 | C9002940GG | 3 |
| A2002951 | 1 | C9002940LE | 3 |
| A2002952 | 1 | C9002940LN | 3 |
| A2002954 | 1 | C9002940MJ | 3 |
| A2002956 | 1 | C9002940PL | 3 |
| A2002959 | 1 | C9002940SG | 3 |
| A2002960 | 3 | C9002940VB | 3 |
| A2002961 | 4, 5 | C9002940WH | 3 |
| A2002962 | 3 | C9202924WH | 2 |
| A2002964 | 1 | E9102152 | 4, 5 |
| | | E9102153 | 4, 5 |



| | | | |
|--------------|------|--------------|------|
| E9102178 | 3 | G3202938BK | 3 |
| E9102179 | 3 | G3202938BKBR | 3 |
| E9102741 | 4, 5 | G3202938BT | 3 |
| E9102908 | 1 | G3202938BTBR | 3 |
| F0002944BR | 3 | G3202938BU | 3 |
| F0002944SS | 3 | G3202938BUBR | 3 |
| G3008411 | 1 | G3202938CB | 3 |
| G3202937AL | 3 | G3202938CBBR | 3 |
| G3202937ALBR | 3 | G3202938EP | 3 |
| G3202937BK | 3 | G3202938EPBR | 3 |
| G3202937BKBR | 3 | G3202938FG | 3 |
| G3202937BT | 3 | G3202938FGBR | 3 |
| G3202937BTBR | 3 | G3202938GG | 3 |
| G3202937BU | 3 | G3202938GGBR | 3 |
| G3202937BUBR | 3 | G3202938LE | 3 |
| G3202937CB | 3 | G3202938LEBR | 3 |
| G3202937CBBR | 3 | G3202938LN | 3 |
| G3202937EP | 3 | G3202938LNBR | 3 |
| G3202937EPBR | 3 | G3202938MJ | 3 |
| G3202937FG | 3 | G3202938MJBR | 3 |
| G3202937FGBR | 3 | G3202938PL | 3 |
| G3202937GG | 3 | G3202938PLBR | 3 |
| G3202937GGBR | 3 | G3202938SG | 3 |
| G3202937LE | 3 | G3202938SGBR | 3 |
| G3202937LEBR | 3 | G3202938SS | 3 |
| G3202937LN | 3 | G3202938SSBR | 3 |
| G3202937LNBR | 3 | G3202938VB | 3 |
| G3202937MJ | 3 | G3202938VBBR | 3 |
| G3202937MJBR | 3 | G3202938WH | 3 |
| G3202937PL | 3 | G3202938WHBR | 3 |
| G3202937PLBR | 3 | G4002968 | 6 |
| G3202937SG | 3 | G4005496 | 6 |
| G3202937SGBR | 3 | G4005497 | 6 |
| G3202937SS | 3 | G4005499 | 6 |
| G3202937SSBR | 3 | G4007448 | 6 |
| G3202937VB | 3 | G4007449 | 6 |
| G3202937VBBR | 3 | G50010123 | 3, 3 |
| G3202937WH | 3 | G5002958 | 1 |
| G3202937WHBR | 3 | G5004515BK | 2 |
| G3202938AL | 3 | G5004515BKBR | 2 |
| G3202938ALBR | 3 | G5004516WH | 2 |



| | | | |
|--------------|------|----------|------|
| G5004516WHBR | 2 | PE050019 | 2 |
| G5004518BK | 2 | PE050023 | 2 |
| G5004518BKBR | 2 | PE050024 | 2 |
| G5004518WH | 2 | PE050049 | 2 |
| G5004518WHBR | 2 | PE050053 | 1, 4 |
| G5004539 | 2 | PE050112 | 1, 4 |
| G5004540 | 2, 2 | PE060030 | 3 |
| G5004541 | 2, 2 | PE060031 | 3 |
| G5007602 | 1 | PE060039 | 3 |
| G9102736 | 4, 5 | PE060045 | 3 |
| G9102749 | 4, 5 | PE060064 | 3 |
| G9102901 | 4, 5 | PE070147 | 1 |
| J1002939 | 3 | PE070148 | 1 |
| PB010163 | 2 | PE070190 | 6 |
| PB010164 | 2 | PE070191 | 6 |
| PB010165 | 2 | PE070192 | 6 |
| PB010166 | 2 | PE070193 | 6 |
| PB010184BK | 2 | PE070208 | 6 |
| PB010184WH | 2 | PE070308 | 1 |
| PB010185 | 2 | PE070317 | 1 |
| PB010185BK | 2 | PE110024 | 1 |
| PB060030 | 4, 5 | PE110031 | 1 |
| PB060044 | 4, 5 | PJ010001 | 4, 5 |
| PB070034 | 3 | PJ010002 | 4, 5 |
| PB070038 | 3 | PJ010003 | 4, 5 |
| PB070040 | 3 | PJ010004 | 4, 5 |
| PC020016 | 4, 5 | PJ030001 | 2 |
| PC020188 | 3 | PJ030002 | 1, 4 |
| PD030033 | 1 | PJ030003 | 2 |
| PE010016 | 3 | PJ030005 | 1, 4 |
| PE010017 | 3 | PJ030006 | 1, 4 |
| PE010079 | 3 | PJ030010 | 2 |
| PE010080 | 3 | PJ030012 | 2 |
| PE030001 | 3 | PM010014 | 4, 5 |
| PE030001PVD | 3 | PM010026 | 1 |
| PE040069 | 2 | PM010029 | 1 |
| PE040073 | 2 | | |
| PE040074 | 2 | | |
| PE040075 | 2 | | |
| PE040076 | 2 | | |
| PE050005 | 4, 5 | | |



Appendix A:Pages Index

CABINET ASSEMBLY 1
CONTROL PANEL ASSY 2
DOOR ASSEMBLY 3
LOWER OVEN 4
UPPER OVEN 5
WIRING 6