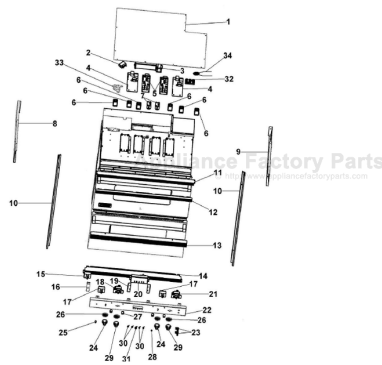


This Owner's Manual is provided and hosted by [Appliance Factory Parts](#).



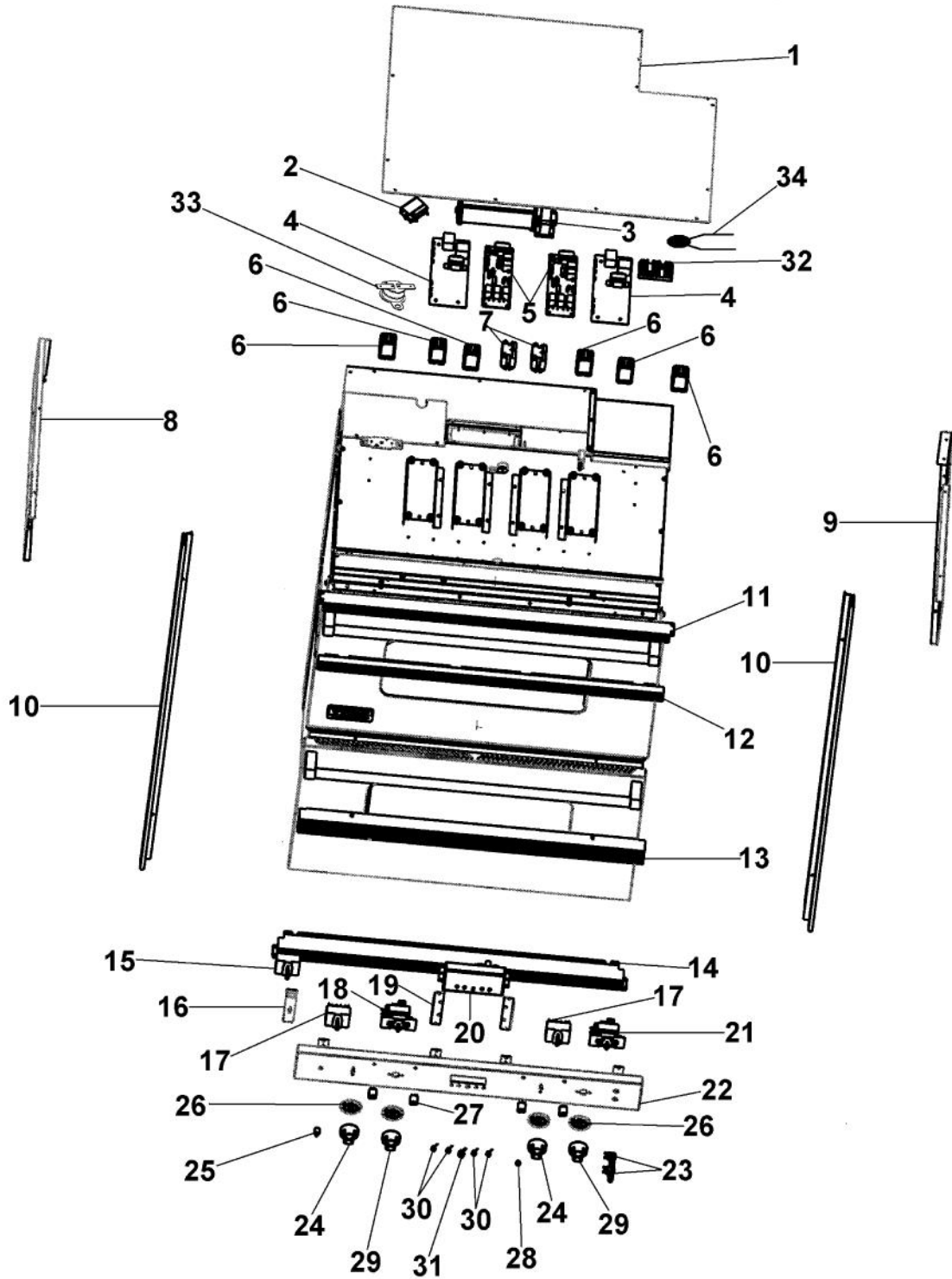
# VIKING VEDO265 Owner's Manual

[Shop genuine replacement parts for VIKING VEDO265](#)

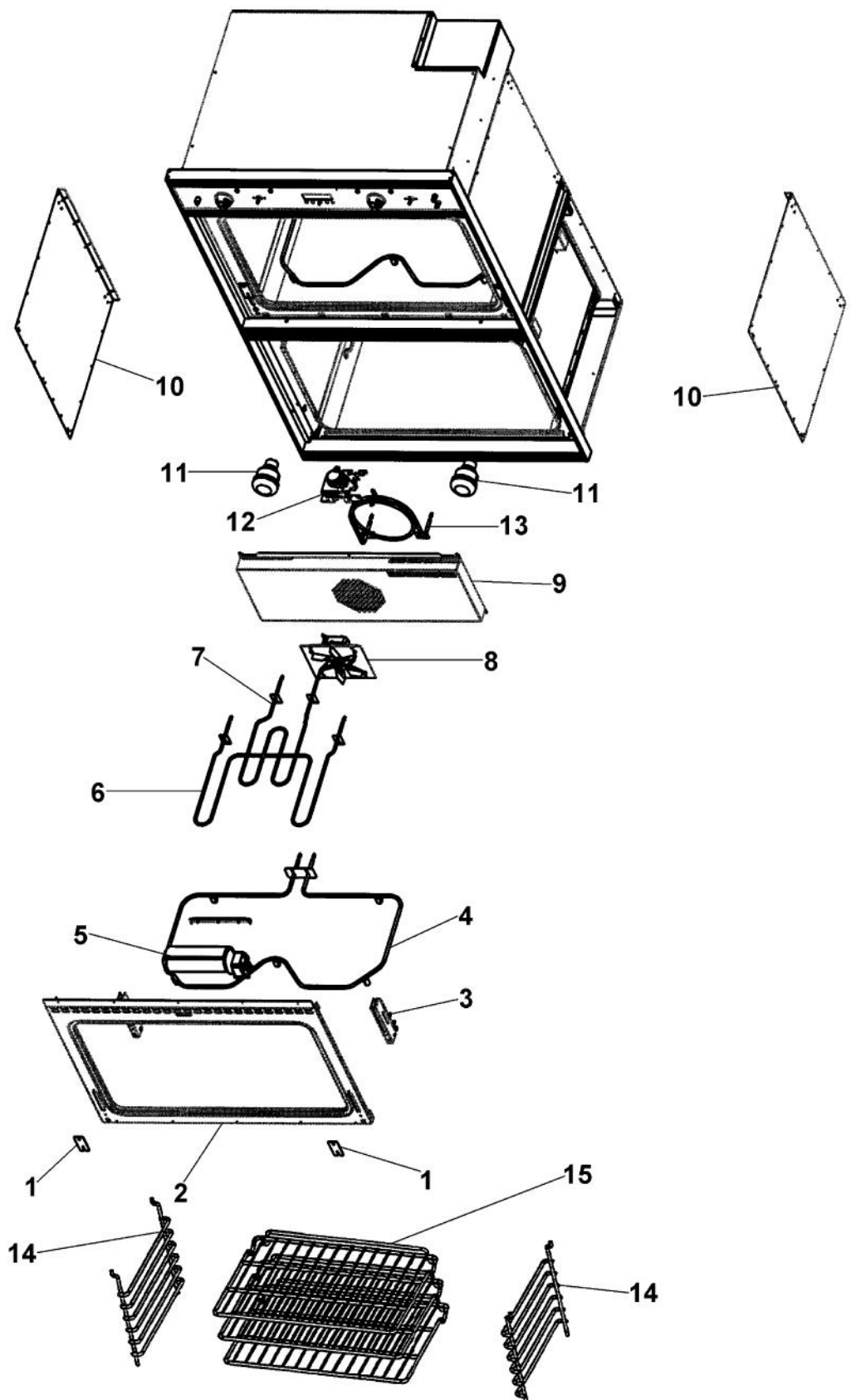


[Find Your VIKING Oven Parts - Select From 98 Models](#)

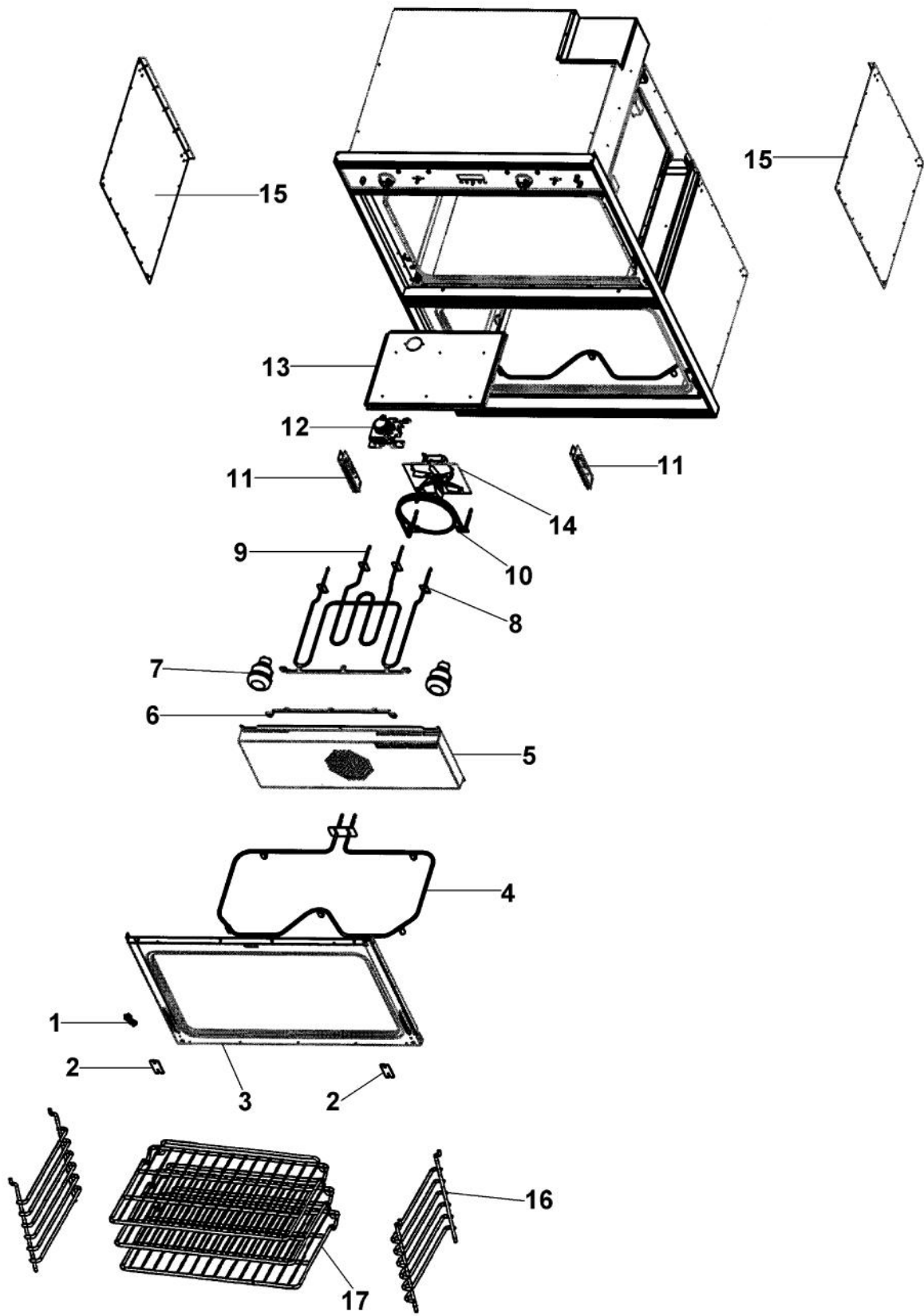
----- Manual continues below -----



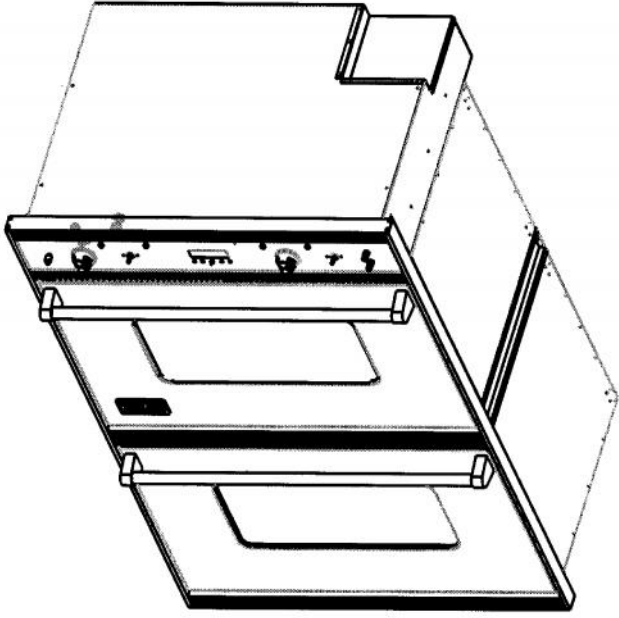
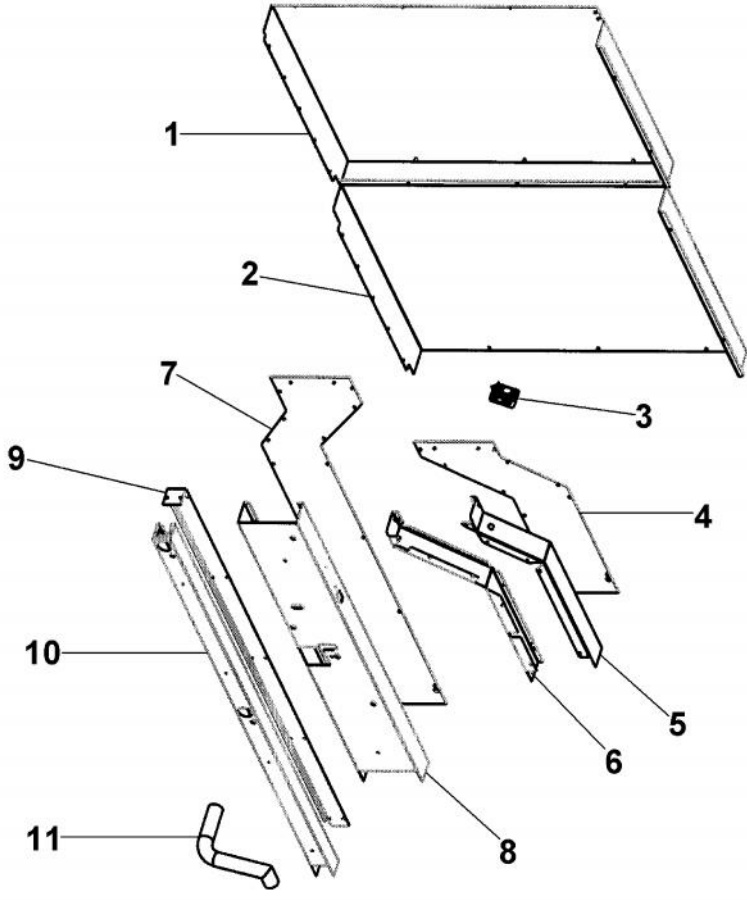
Ref #	Part Number	Qty.	Description
1	A2008508		CABINET TOP 36
2	PJ030002		AUTO RESET (SELF-CLEAN) VDSC
3	PE050087		BLOWER ASSEMBLY - DESIGNER SERIES
4	PE070308		PRE-HEAT BOARD
5	PE070148		SELF-CLEAN BOARD/TIMER (VDSC)
6	PM010029		RELAY (DOUBLE POLE-DOUBLE THROW)TEM
7	PM010129		RELAY
8	A2007699		CABINET SIDE LH
9	A2007906		30`` SINGLE CAB. SIDE RH
10	PE040069		SIDE TRIM-EXTRUDED (VEDO205)
11	PE040192		TOP EXTRUSION
12	PE040193		LOWER CONTROL PANEL EXTRUSION
13	PE040200		CENTER EXTRUSION
14	PE040190		BOTTOM EXTRUSION
15	PJ030030		4 POS SELECTOR SWITCH (BEFORE 06/03/04)
	PJ030010		SELECTOR SWITCH (3-POSITION)VEDO205 (AFTER 06/03/04)
16	A2008526		SELECTOR BRACKET
17	PJ030001		SELECTOR SWITCH (8-POSITION) VDSC
18	PJ030037		SUB TO PS500033 - SELF CLEAN THERMOSTAT
19	A2008527		CLOCK BRACKET
20	PE050213		PRO 120V DIGITAL CLOCK
21	PJ030037		SUB TO PS500033 - SELF CLEAN THERMOSTAT
22	B9208540		DOUBLE CONTROL PANEL 36
	C9208540BK		DOUBLE CONTROL PANEL 36 XBKX
	C9208540WH		DOUBLE CONTROL PANEL 36 XWHX
23	PB010163		OVEN LIGHT SWITCH KNOB BK
	PB010164		OVEN LIGHT SWITCH KNOB XWHX (VESO/D
24	PB010148		SELECTOR KNOB-XBKX (30DOUBLE OVEN
	PB010149		SELECTOR KNOB-XWHX (30 B-IN OVEN)
25	PB010165		TIME MANUAL KNOB XBKX (VESO/VEDO)
	PB010166		TIME MANUAL KNOB XWHX (VESO/VEDO)
26	PB010208		BEZEL, CHROME PLATE
	PB010209		BEZEL BRASS
27	PE050024		OVEN IND. LIGHT (LIGHT HOUSING)
28	PE050023		OVEN IND. LIGHT (LENS & BEZEL)
29	PB010150		T/STAT KNOB-XBKX (30 B-IN OVEN)
	PB010151		T/STAT KNOB-XWHX (30 B-IN OVEN)
30	PB010248		CLOCK BUTTON
	PB010249		PUSH BUTTON WHITE
31	PB010246		CLOCK KNOB
	PB010247		KNOB WHITE
32	PE070147		TERMINAL BLOCK
33	PJ030006		SWITCH (COOLING FAN)
34	PE050059		HI-LIMIT SWITCH



Ref #	Part Number	Qty.	Description
1	B1007234		HINGE TRIM REPL B2102963 2 EA
2	G9108536		LOWER FRONT FRAME ASSY 36
3	PC020016		HINGE RECEIVER (VEDO/VEDO)
4	PJ010006		BAKE ELEMENT (VDSC-36) 240V
5	PE050087		BLOWER ASSEMBLY - DESIGNER SERIES
6	PJ010002		BROIL ELEMENT(MAXI)-SIDE (VDSC)240V
7	PJ010001		BROIL ELEMENT 240V
8	G3208521		CONVECTION FAN ASSEMBLY
9	G9102750		CONVECTION FAN COVER ASSY (VDSC36)
10	A2002904		SIDE INSULATION RETAINER
11	PE050009		OVEN LIGHT SOCKET - 36 BUILT-IN
12	PE050112		DOOR LATCH
13	PJ010003		CONVECTION ELEMENT (VDSC) 240V
14	PB060030		RACK SUPT REPL PB060010
15	PB060045		OVEN RK VDSC36 REPL PB060020

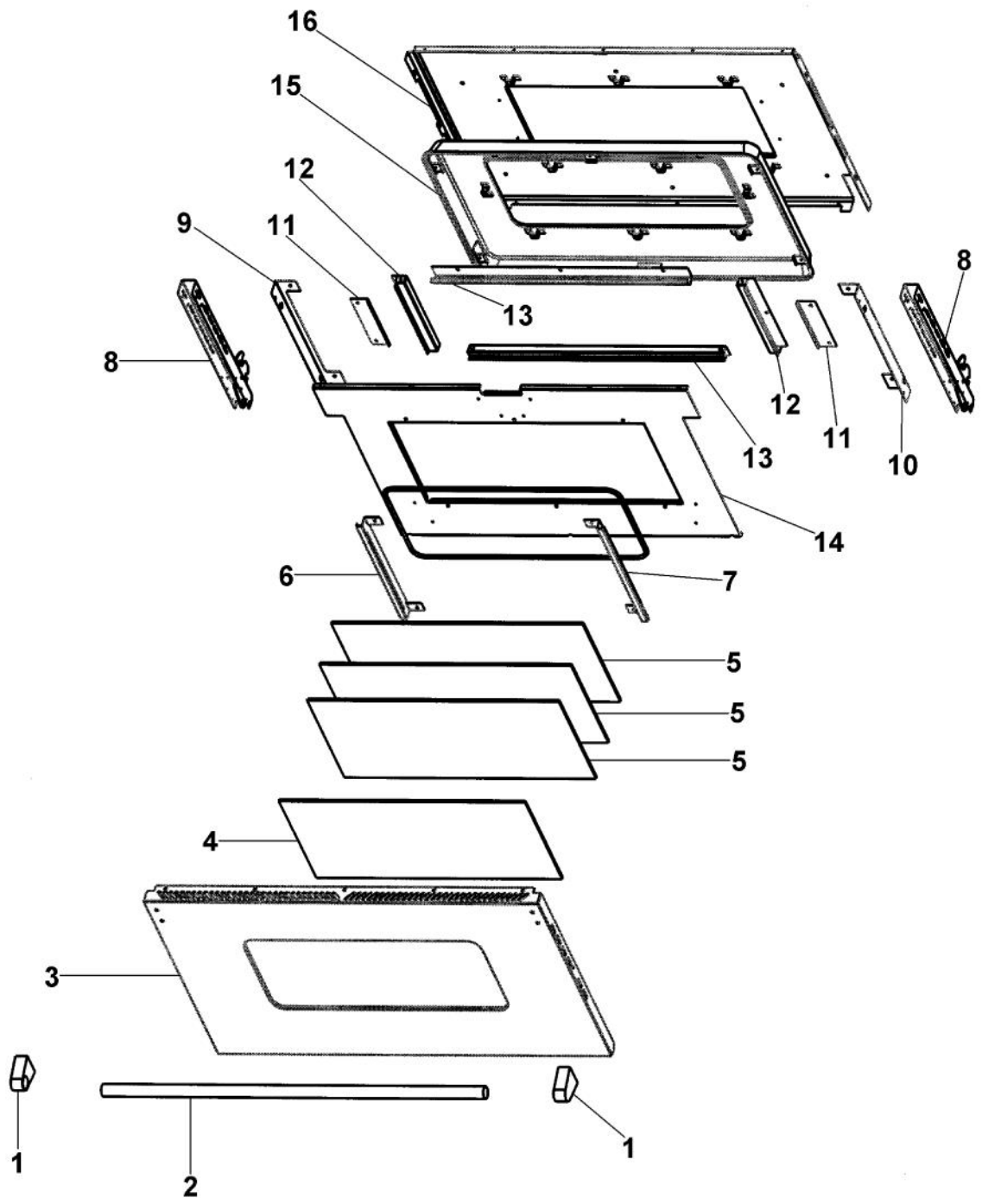


Ref #	Part Number	Qty.	Description
1	PE050115		MEAT PROBE JACK
NI	PE050114		MEAT PROBE (DESO/DEDO) (SWITCHCRAFT'S PART NO. 4...
2	B1007234		HINGE TRIM REPL B2102963 2 EA
3	G9108522		UPPER FRONT FRAME ASSY 36
4	PJ010006		BAKE ELEMENT (VDSC-36) 240V
5	G9102750		CONVECTION FAN COVER ASSY (VDSC36)
6	B2002185		BROIL ELEMENT BRKT (VDSC)
7	PE050009		OVEN LIGHT SOCKET - 36 BUILT-IN
8	PJ010002		BROIL ELEMENT(MAXI)-SIDE (VDSC)240V
9	PJ010001		BROIL ELEMENT 240V
10	PJ010003		CONVECTION ELEMENT (VDSC) 240V
11	PC020016		HINGE RECEIVER (VEDO/VEDO)
12	PE050112		DOOR LATCH
13	B2002167		BROILER TOP (VDSC)
14	PE050005		CONVECTION FAN ASSY
15	A2002904		SIDE INSULATION RETAINER
16	PB060030		RACK SUPT REPL PB060010
17	PB060045		OVEN RK VDSC36 REPL PB060020



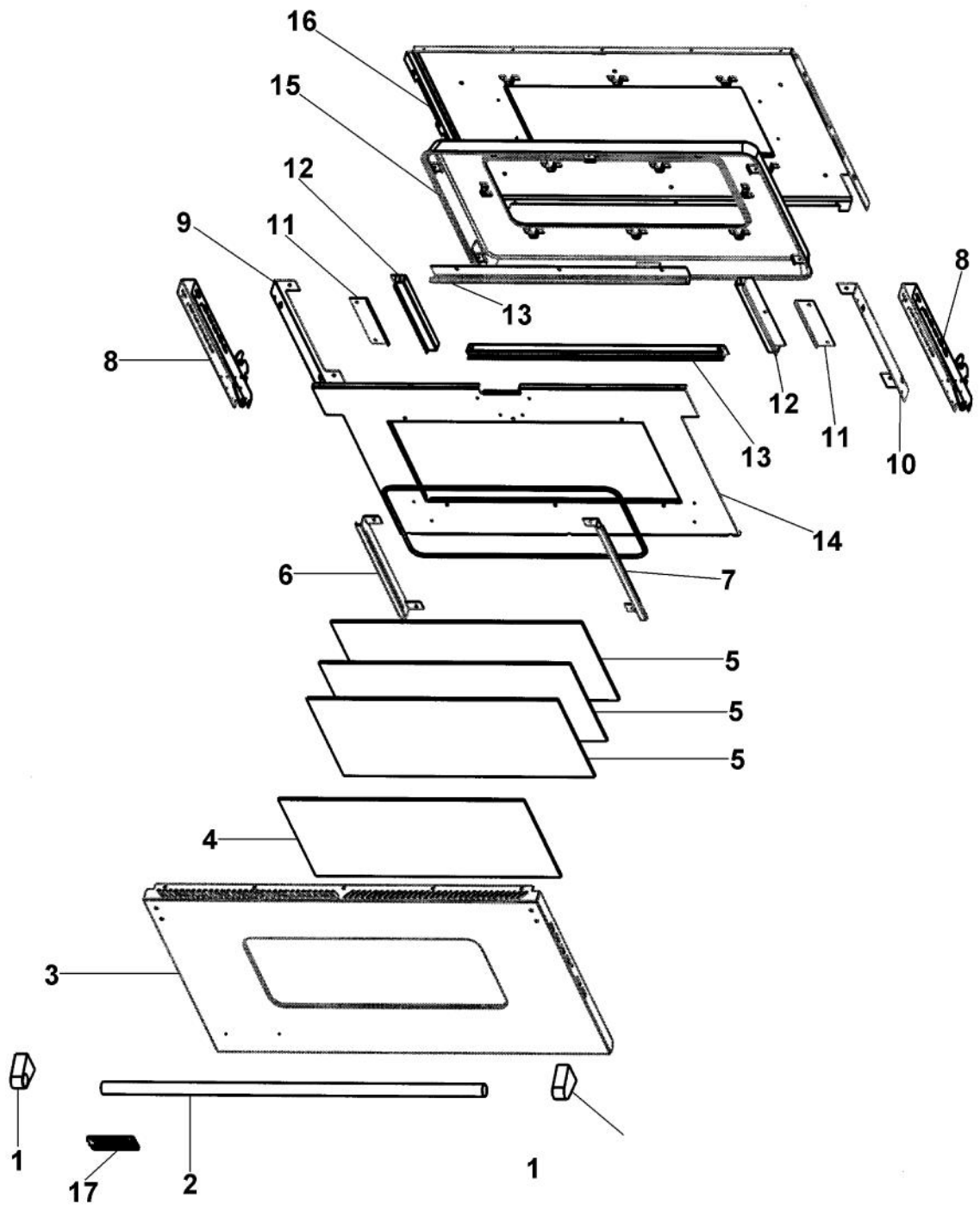


Ref #	Part Number	Qty.	Description
1	A2008511		CABINET BACK UPPER 36
2	A2008541		CABINET BACK LOWER 36
3	PJ030002		AUTO RESET (SELF-CLEAN) VDSC
4	A1006178		LOWER VENT COVER PLATE
5	A2006321		LOWER VENT SIDE RH
6	A2006322		LOWER VENT SIDE RH
7	A1006179		DOUBLE VENT COVER PLATE
8	A2006199		LOWER AIR VENT
9	A2006180		DOUBLE OVEN FLUE COVER
10	A2006181		DOUBLE OVEN FLUE
11	PB020175		VENT TUBE



Ref #	Part Number	Qty.	Description
1	PE030001		BRACKET, DOOR, HANDLE
	PE030001PVD		END CAP DOOR HANDLE XBR
2	PE030133		DOOR HANDLE 36 (VESO/VEDO)
	PE030133PVD		DOOR HANDLE 36 (VESO/VEDO) PVD
3	B2008546		OUTTER DOOR PANEL
	C9008546AL		OUTER DOOR PANEL XALX
	C9008546BK		OUTER DOOR PANEL XBKX
	C9008546BT		OUTER DOOR PANEL XBTX
	C9008546BU		OUTER DOOR PANEL XBUX
	C9008546CB		OUTER DOOR PANEL XCBX
	C9008546EP		OUTER DOOR PANEL XEPX
	C9008546FG		OUTER DOOR PANEL XFGX
	C9008546GG		OUTER DOOR PANEL XGGX
	C9008546LE		OUTER DOOR PANEL XLEX
	C9008546MJ		OUTER DOOR PANEL XMJX
	C9008546SG		OUTER DOOR PANEL XSGX
	C9008546VB		OUTER DOOR PANEL XVBX
	C9008546WH		OUTER DOOR PANEL XWHX
4	PE060066		OUTER DOOR GLASS
5	PE060065		OUTER DOOR GLASS
6	A2008534		DOOR GLASS BRACKET
7	PE060067		J MOLD
	PE060068BR		J MOLD XBRASSX
8	PC020188		DOOR HINGE
9	A2008532		HINGE HOLDER - LH
10	A2008533		HINGE HOLDER - RH
11	A2002189		DOOR GLASS STANDOFF (VDSC)
12	E9108529		WINDOW LINER SIDE
13	E9108528		WINDOW LINER TOP/BOTTOM
14	A2008503		DOOR INSULATION RETAINER 36
15	G9108531		DOOR PLUG 36 (VESO165/VEDO265)
16	G9108501		DOOR LINER ASSY 36
NI	PB070041		SUB TO 000623-000 - DOOR GASKET(3/8DIA.) (VDSC)
NI	PB070040		FIBERGLASS ROPE
NI	J1008505		OVEN DOOR HEAT SINK
NI	PD020032		SRW-8(A)X3/8PH.WFR HD 7/16DIAXNICL
NI	G3208545AL		36 DOOR ASSY DOUBLE OVEN UPPER XALX
	G3208545ALBR		36 DOOR ASSY DOUBLE OVEN UPPER XALBRX
	G3208545BK		36 DOOR ASSY DOUBLE OVEN UPPER XBKX
	G3208545BKBR		36 DOOR ASSY DOUBLE OVEN UPPER XBKBRX
	G3208545BT		36 DOOR ASSY DOUBLE OVEN UPPER XBTX
	G3208545BTBR		36 DOOR ASSY DOUBLE OVEN UPPER XBTBRX
	G3208545BU		36 DOOR ASSY DOUBLE OVEN UPPER XBUX
	G3208545BUBR		36 DOOR ASSY DOUBLE OVEN UPPER XBUBRX
	G3208545CB		36 DOOR ASSY DOUBLE OVEN UPPER XCBX
	G3208545CBBR		36 DOOR ASSY DOUBLE OVEN UPPER XCBBRX
	G3208545EP		36 DOOR ASSY DOUBLE OVEN UPPER XEPX
	G3208545EPBR		36 DOOR ASSY DOUBLE OVEN UPPER XEPBRX
	G3208545FG		36 DOOR ASSY DOUBLE OVEN UPPER XFGX
	G3208545FGBR		36 DOOR ASSY DOUBLE OVEN UPPER XFGBRX
	G3208545GG		36 DOOR ASSY DOUBLE OVEN UPPER XGGX
	G3208545GGBR		36 DOOR ASSY DOUBLE OVEN UPPER XGGBRX
	G3208545LE		36 DOOR ASSY DOUBLE OVEN UPPER XLEX
	G3208545LEBR		36 DOOR ASSY DOUBLE OVEN UPPER XLEBRX
	G3208545MJ		36 DOOR ASSY DOUBLE OVEN UPPER XMJX
	G3208545MJBR		36 DOOR ASSY DOUBLE OVEN UPPER XMJBRX
	G3208545SG		36 DOOR ASSY DOUBLE OVEN UPPER XSGX
	G3208545SGBR		36 DOOR ASSY DOUBLE OVEN UPPER XSGBRX
	G3208545SS		36 DOOR ASSY DOUBLE OVEN UPPER
	G3208545SSBR		36 DOOR ASSY DOUBLE OVEN UPPER XSSBRX

Ref #	Part Number	Qty.	Description
	G3208545SSBR		36 DOOR ASSY DOUBLE OVEN UPPER XSSBRX
	G3208545VB		36 DOOR ASSY DOUBLE OVEN UPPER XVBX
	G3208545VBBR		36 DOOR ASSY DOUBLE OVEN UPPER XVBRRX
	G3208545WH		36 DOOR ASSY DOUBLE OVEN UPPER XWHX
	G3208545WHBR		36 DOOR ASSY DOUBLE OVEN UPPER XWHBRX



Ref #	Part Number	Qty.	Description
1	PE030001		BRACKET, DOOR, HANDLE
	PE030001PVD		END CAP DOOR HANDLE XBR
2	PE030133		DOOR HANDLE 36 (VESO/VEDO)
	PE030133PVD		DOOR HANDLE 36 (VESO/VEDO) PVD
3	B2008504		OUTTER DOOR PANEL
	C9008504AL		OUTER DOOR PANEL XALX
	C9008504BK		OUTISDE DOOR PANEL XBKX
	C9008504BT		OUTISDE DOOR PANEL XBTX
	C9008504BU		OUTISDE DOOR PANEL XBUX
	C9008504CB		OUTISDE DOOR PANEL XCBX
	C9008504EP		OUTISDE DOOR PANEL XEPX
	C9008504FG		OUTISDE DOOR PANEL XFGX
	C9008504GG		OUTISDE DOOR PANEL XGGX
	C9008504LE		OUTISDE DOOR PANEL XLEX
	C9008504MJ		OUTISDE DOOR PANEL XMJX
	C9008504SG		OUTISDE DOOR PANEL XSGX
	C9008504VB		OUTISDE DOOR PANEL XVBX
	C9008504WH		OUTISDE DOOR PANEL XWHX
4	PE060066		OUTER DOOR GLASS
5	PE060065		OUTER DOOR GLASS
6	A2008534		DOOR GLASS BRACKET
7	PE060067		J MOLD
	PE060068BR		J MOLD XBRASSX
8	PC020188		DOOR HINGE
9	A2008532		HINGE HOLDER - LH
10	A2008533		HINGE HOLDER - RH
11	A2002189		DOOR GLASS STANDOFF (VDSC)
12	E9108529		WINDOW LINER SIDE
13	E9108528		WINDOW LINER TOP/BOTTOM
14	A2008503		DOOR INSULATION RETAINER 36
15	G9108531		DOOR PLUG 36 (VESO165/VEDO265)
16	G9108501		DOOR LINER ASSY 36
17	PE010016		NAMEPLATE, LOGO, PRO
	PE010079		4.5 LOGO/VIKING PROF, BK/BR
	PE010017		LOGO (VGSO,VEDO,VGDO,VUD) XWH/CHR
	PE010080		4.5 LOGO/VIKING PROF XWH/BR
NI	PB070041		SUB TO 000623-000 - DOOR GASKET(3/8DIA.) (VDSC)
NI	PB070040		FIBERGLASS ROPE
NI	J1008505		OVEN DOOR HEAT SINK
NI	PD020032		SRW-8(A)X3/8PH.WFR HD 7/16DIAXNICL
NI	G3208500AL		36 DOOR ASSY SINGLE/LOWER
	G3208500ALBR		36 DOOR ASSY SINGLE/LOWER ALBR
	G3208500BK		36 DOOR ASSY SINGLE/LOWER XBKX
	G3208500BKBR		36 DOOR ASSY SINGLE/LOWER XBKBRX
	G3208500BT		36 DOOR ASSY SINGLE/LOWER XBTX
	G3208500BTBR		36 DOOR ASSY SINGLE/LOWER XBTBRX
	G3208500BU		36 DOOR ASSY SINGLE/LOWER XBUX
	G3208500BUBR		36 DOOR ASSY SINGLE/LOWER XBUBRX
	G3208500CB		36 DOOR ASSY SINGLE/LOWER XCBX
	G3208500CBBR		36 DOOR ASSY SINGLE/LOWER XCBBRX
	G3208500EP		36 DOOR ASSY SINGLE/LOWER XEPX
	G3208500EPBR		36 DOOR ASSY SINGLE/LOWER XEPBRX
	G3208500FG		36 DOOR ASSY SINGLE/LOWER XFGX
	G3208500FGBR		36 DOOR ASSY SINGLE/LOWER XFGBRX
	G3208500GG		36 DOOR ASSY SINGLE/LOWER XGGX
	G3208500GGBR		36 DOOR ASSY SINGLE/LOWER XGGBRX
	G3208500LE		36 DOOR ASSY SINGLE/LOWER XLEX
	G3208500LEBR		36 DOOR ASSY SINGLE/LOWER XLEBRX
	G3208500MJ		36 DOOR ASSY SINGLE/LOWER XMJX
	G3208500MJBR		36 DOOR ASSY SINGLE/LOWER XMJBRX

Ref #	Part Number	Qty.	Description
	G3208500MJBR		36 DOOR ASSY SINGLE/LOWER XMJBRX
	G3208500SG		36 DOOR ASSY SINGLE/LOWER XSGX
	G3208500SGBR		36 DOOR ASSY SINGLE/LOWER XSGBRX
	G3208500SS		36 DOOR ASSY SINGLE/LOWER
	G3208500SSBR		36 DOOR ASSY SINGLE/LOWER
	G3208500VB		36 DOOR ASSY SINGLE/LOWER XVBX
	G3208500VBBR		36 DOOR ASSY SINGLE/LOWER XVBBRX
	G3208500WH		36 DOOR ASSY SINGLE/LOWER XWHX
	G3208500WHBR		36 DOOR ASSY SINGLE/LOWER XWHBRX

*No Image  
Available*



Ref #	Part Number	Qty.	Description
NI	G4007966	2	WIRE ASSEMBLY (MEAT PROBE)
NI	001421-000	1	CONDUIT, ELECTRICAL CORD, 70"
NI	PE070539	2	8 POS. SELECTOR HARNESS
NI	PE070529	1	ELECTRONIC BOARD HARNESS
NI	PE070571	1	LOWER CONTROL BOARD HARNESS
NI	PE070537	2	AUTO RESET HARNESS
NI	PE070538	2	T/STAT HARNESS
NI	PE070533	2	TIMER UPPER HARNESS
NI	PE070534	2	TIMER LOWER HARNESS
NI	PE070531	1	UPPER CONTROL HARNESS
NI	PE070532	1	LOWER CONTROL HARNESS
NI	PE070493	1	UPPER LATCH HARNESS
NI	PE070495	1	LOWER LATCH HARNESS
NI	PE070492	1	UPPER ELEMENT HARNESS
NI	PE070494	1	LOWER ELEMENT HARNESS
NI	PE070535	2	DOUBLE OVEN JUMPER
NI	PE070497	1	LIGHT HARNESS, UPPER
NI	PE070498	1	LIGHT HARNESS, DOUBLE
NI	PD040034	2	CONDUIT GROMMET (1/2)
NI	PE070623	1	PREHEAT JUMPER