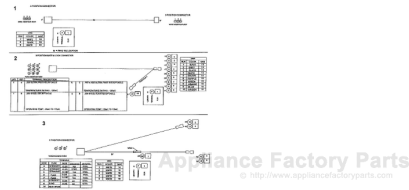


This Owner's Manual is provided and hosted by [Appliance Factory Parts](http://www.appliancefactoryparts.com).



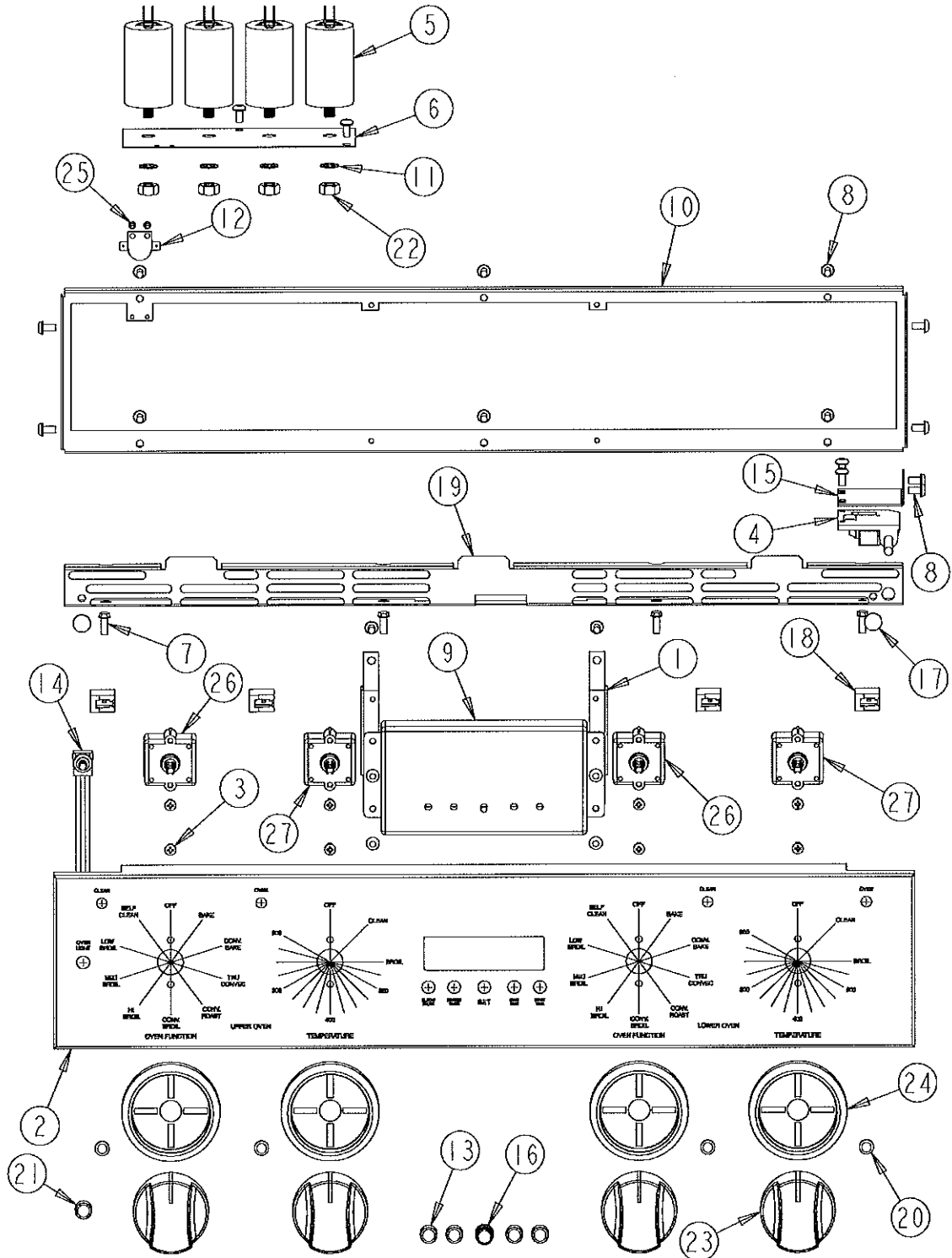
# VIKING VEDO527\_2 Owner's Manual

**[Shop genuine replacement parts for VIKING  
VEDO527\\_2](#)**

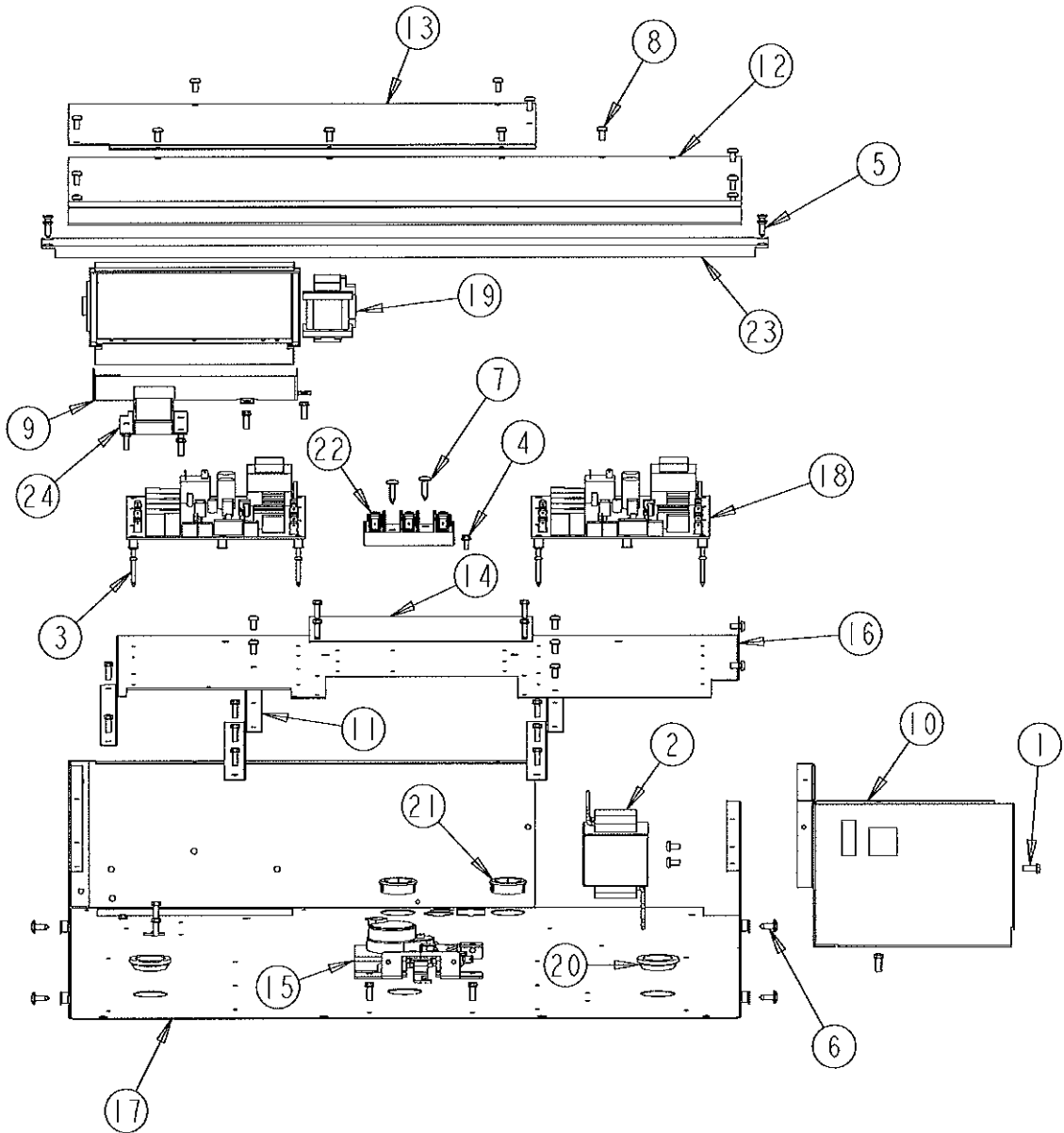


**[Find Your VIKING Oven Parts - Select From 98 Models](#)**

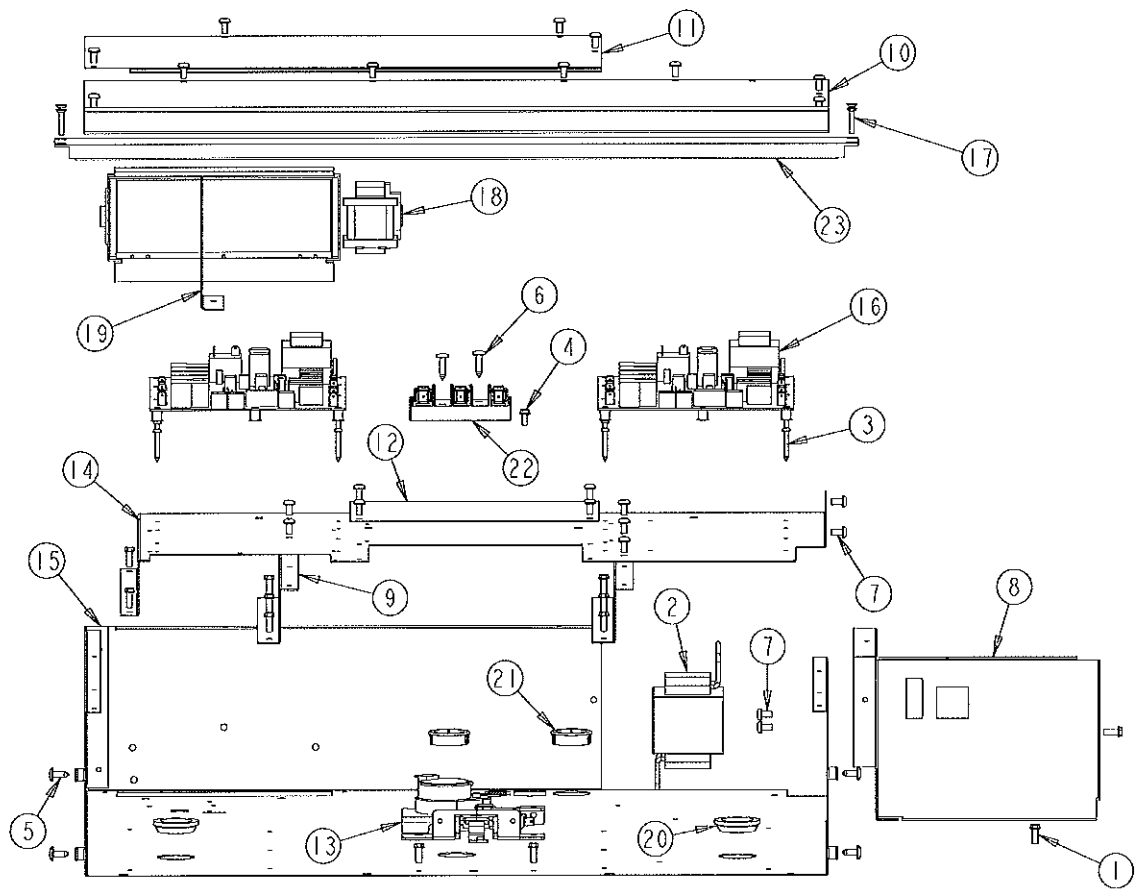
----- Manual continues below -----



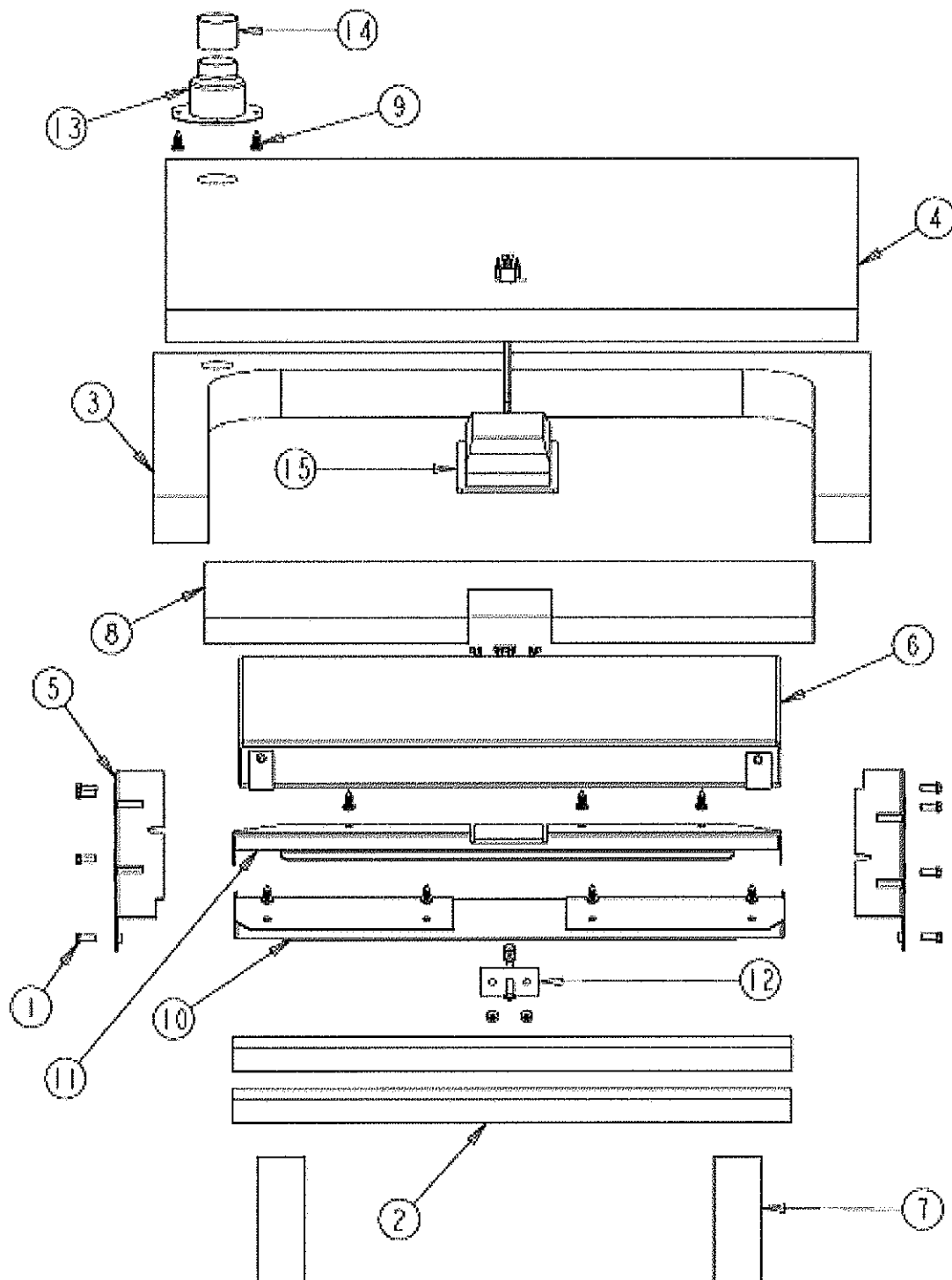
| Ref # | Part Number | Qty. | Description   |
|-------|-------------|------|---|
| 1     | A20014063   |      | CLOCK BRACKET<br>(AFTER 06/12/06 C-0100)                              |
| 2     | B92012635   |      | 27 DBL. CTR. PNL. ULTRA PROF<br>(BEFORE 06/12/06 C-0100)              |
| 2     | C92012635BK |      | 27 DBL. CTR. PNL. ULTRA PROF XBKX<br>(BEFORE 06/12/06 C-0100)         |
| 2     | C92012635WH |      | 27 DBL. CTR. PNL. ULTRA PROF XWHX<br>(BEFORE 06/12/06 C-0100)         |
| 2     | B92014067   |      | 27 DOUBLE PROF. PREMIERE CONTROL PNL.<br>(AFTER 06/12/06 C-0100)      |
| 2     | C92014067BK |      | 27 DOUBLE PROF. PREMIERE CONTROL PNL. XBKX<br>(AFTER 06/12/06 C-0100) |
| 2     | C92014067WH |      | 27 DOUBLE PROF. PREMIERE CONTROL PNL. XWHX<br>(AFTER 06/12/06 C-0100) |
| 3     | PD020261    |      | NO.8-32X1/2 PH PANHEAD MACH. SCREW                                    |
| 4     | PE050208    |      | DOOR SWITCH   |
| 5     | PE050247    |      | EBM FAN MOTOR CAPACITOR   |
| 6     | A10014027   |      | 4 CAPACITOR BRACKET   |
| 7     | PD020060    |      | 10 X 1/2 (5/16)HEX WSHR HD.(T)A                                       |
| 8     | PD020004    |      | 10X3/8PH.HD.TYPE 25 REPL PD040125                                     |
| 9     | PE050214    |      | CLOCK (DIGITAL 230V 50/60HZ)  |
| 10    | A20014061   |      | 27 CONTROL MTG PANEL<br>(AFTER 06/12/06 C-0100)                       |
| 11    | PD040164    |      | 5/16 INTERNAL TOOTH LOCK WASHER TYPE A                                |
| 12    | G50015481   |      | PRO HI-LIMIT SERVICE KIT<br>(BEFORE 07-17-06)                         |
| NI    | PJ030043    |      | BI-METAL THERMOSTAT (N.C.) 180 DEGREES<br>(AFTER 07-17-06)            |
| 13    | PB010306    |      | PROF. CLOCK BUTTON  |
| 13    | PB010310    |      | PROF. CLOCK BUTTON XWHX   |
| 14    | PE050076    |      | DESIGNER OVEN LIGHT SWITCH  |
| 15    | A20012649   |      | DOOR SWITCH BRACKET   |
| 16    | PB010307    |      | PROF. CLOCK KNOB  |
| 16    | PB010311    |      | PROF. CLOCK KNOB XWHX   |
| 17    | PD040004    |      | GROMMET BUMPER  |
| 18    | PE050072    |      | LENS OPENING (250 VOLT)   |
| 19    | C90014073BK |      | 27 INLET GRILL  |
| 20    | PE050023    |      | OVEN IND. LIGHT (LENS & BEZEL)  |
| 21    | PB010308    |      | PROF. OVEN LIGHT BUTTON   |
| 21    | PB010312    |      | PROF. OVEN LIGHT BUTTON XWHX  |
| 22    | PD030172    |      | M8 X 1.25MM NUT   |
| 23    | PB010305    |      | PROF. SELECTOR/THERMOSTAT KNOB  |
| 23    | PB010309    |      | PROF. SELECTOR/THERMOSTAT KNOB XWHX                                   |
| 24    | PB010304    |      | KNOB BEZEL  |
| 24    | PB010304PVD |      | RESTYLE KNOB BEZEL, BR  |
| 25    | PD020013    |      | TYPE AB NO.6 X 3/8 PH PAN HD. SMS                                     |
| 26    | PJ030033    |      | SELECTOR (10 POS)   |
| 27    | PJ030035    |      | THERMOSTAT  |



| Ref # | Part Number | Qty. | Description                       |
|-------|-------------|------|-----------------------------------|
| 1     | PD020060    |      | 10 X 1/2 (5/16)HEX WSHER HD.(T)A  |
| 2     | PE070634    |      | HALOGEN LIGHT TRANSFORMER         |
| 3     | PD020185    |      | NO.6 X 1 PAN HEAD SCREW           |
| 4     | PD020010    |      | 10 X 3/8 GREEN GROUNDING SCREW    |
| 5     | PD020045    |      | NO.8 X 1/2 PH FLAT TEK (ZINC)     |
| 6     | PD020002    |      | 10 X 1/2 PH.TR.HD.SMS.            |
| 7     | PD020014    |      | 10X3/4 PH TR HD SMS               |
| 8     | PD020004    |      | 10X3/8PH.HD.TYPE 25 REPL PD040125 |
| 9     | A20014035   |      | 27 BLOWER BRACKET                 |
| 10    | A20010934   |      | BRACKET, MODULE PAN               |
| 11    | A20010910   |      | BRACKET, SUPPORT, ELECTRONICS HAT |
| 12    | A20014046   |      | 27 FRONT COVER                    |
| 13    | A20014047   |      | 27 REAR COVER                     |
| 14    | A10010911   |      | COVER, LATCH                      |
| 15    | PE050210    |      | DOOR LATCH                        |
| 16    | A20010935   |      | ELECTRONICS HAT                   |
| 17    | A20010933   |      | MODULE PAN 27                     |
| 18    | PE070631    |      | CONTROL BOARD                     |
| 19    | PE050228    |      | PREMIUM BLOWER                    |
| 20    | PB070079    |      | SILICONE EXTRUSION (DGSU)         |
| 21    | PD040152    |      | SNAP BUSHING                      |
| 22    | PE070147    |      | TERMINAL BLOCK                    |
| 23    | PE040271    |      | 27 PROF. TOP TRIM                 |
| 24    | A20014033   |      | UPPER VENT COVER                  |

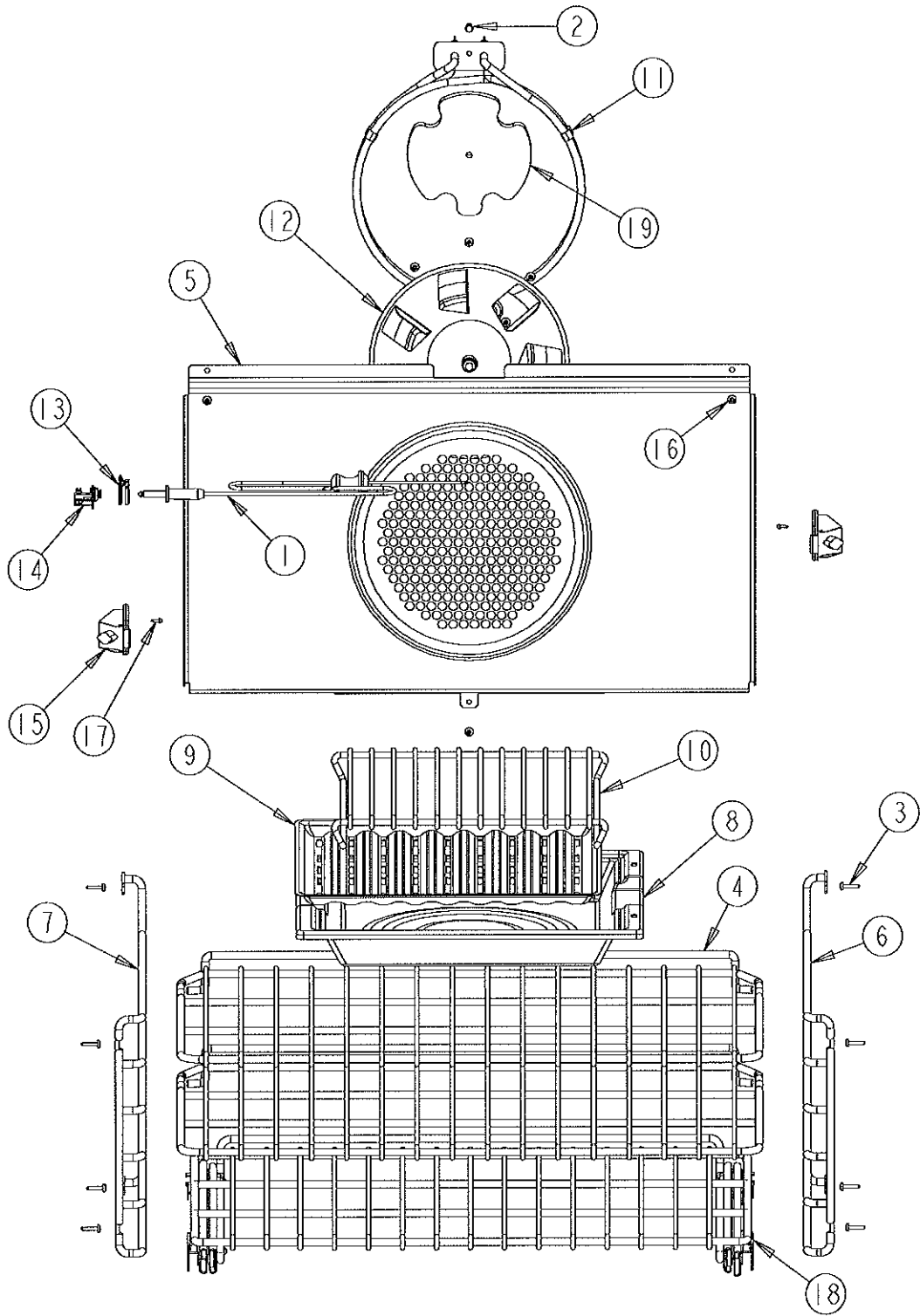


| Ref # | Part Number | Qty. | Description  |
|-------|-------------|------|--|
| 1     | PD020060    |      | 10 X 1/2 (5/16)HEX WSHR HD.(T)A  |
| 2     | PE070634    |      | HALOGEN LIGHT TRANSFORMER<br>(USED ONLY ON UNITS BEFORE SERIAL NO. C-0396) |
| 3     | PD020185    |      | NO.6 X 1 PAN HEAD SCREW  |
| 4     | PD020010    |      | 10 X 3/8 GREEN GROUNDING SCREW   |
| 5     | PD020002    |      | 10 X 1/2 PH.TR.HD.SMS.   |
| 6     | PD020014    |      | 10X3/4 PH TR HD SMS  |
| 7     | PD020004    |      | 10X3/8PH.HD.TYPE 25 REPL PD040125  |
| 8     | A20010934   |      | BRACKET, MODULE PAN  |
| 9     | A20010910   |      | BRACKET, SUPPORT, ELECTRONICS HAT  |
| 10    | A20014046   |      | 27 FRONT COVER   |
| 11    | A20014047   |      | 27 REAR COVER  |
| 12    | A10010911   |      | COVER, LATCH   |
| 13    | PE050210    |      | DOOR LATCH   |
| 14    | A20010935   |      | ELECTRONICS HAT  |
| 15    | A20010933   |      | MODULE PAN 27  |
| 16    | PE070631    |      | CONTROL BOARD  |
| 17    | PD020170    |      | NO.6-32 X 1/2 PHILLIPS C.S. TYPE F SCREW                                   |
| 18    | PE050250    |      | PREMIUM BLOWER WITH HES<br>BEFORE 2/4/2013                                 |
| 18    | 018607-000  |      | FAN,BLO, 220-240V 50/60HZ ASSY<br>AFTER 2/4/2013                           |
| 19    | A2009667    |      | REAR AIR DIVIDER   |
| 20    | PB070079    |      | SILICONE EXTRUSION (DGSU)  |
| 21    | PD040152    |      | SNAP BUSHING   |
| 22    | PE070147    |      | TERMINAL BLOCK   |
| 23    | PE040271    |      | 27 PROF. TOP TRIM  |

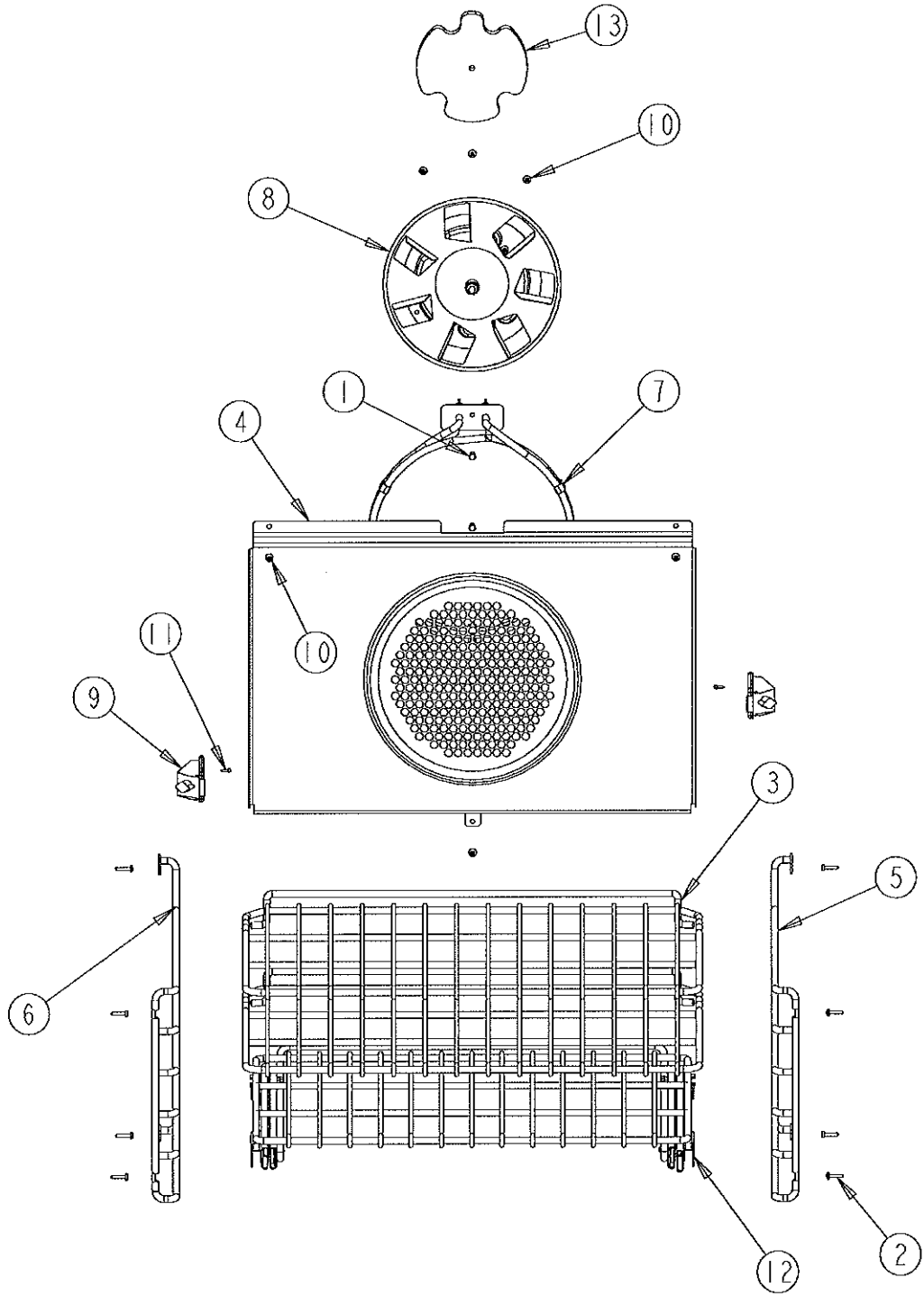




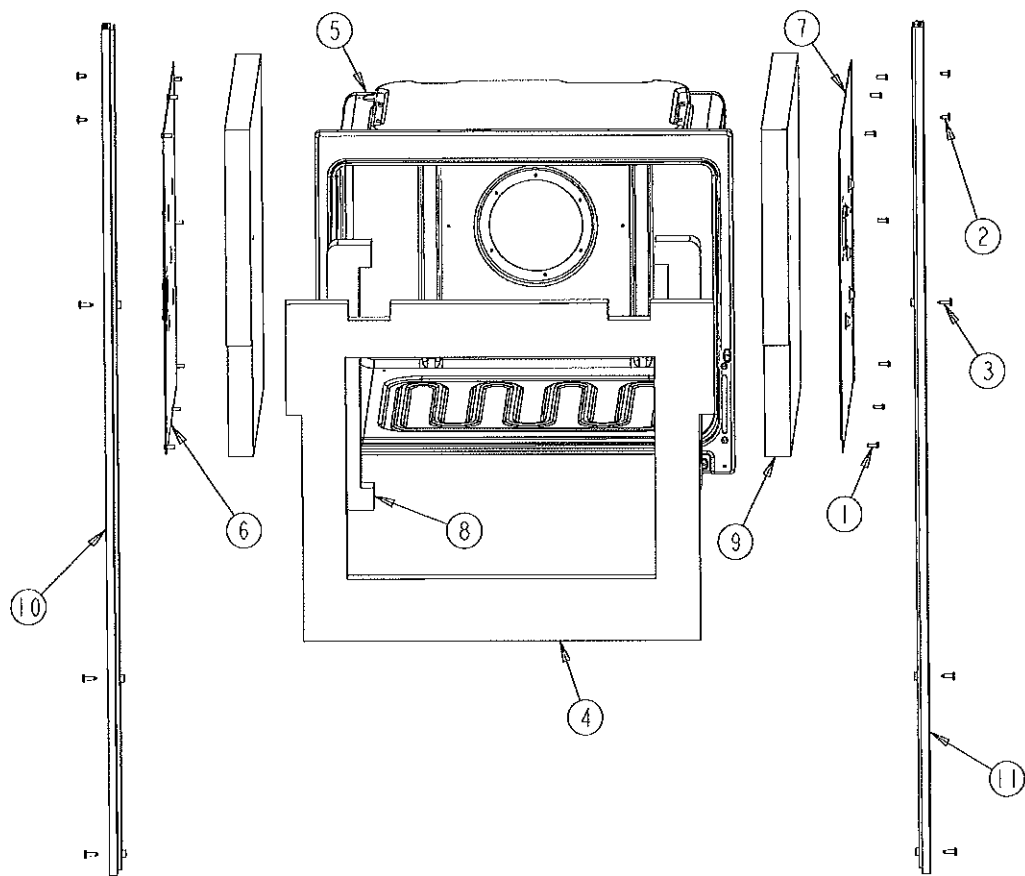
| Ref # | Part Number | Qty. | Description                          |
|-------|-------------|------|--------------------------------------|
| 1     | PD020060    |      | 10 X 1/2 (5/16)HEX WSHR HD.(T)A      |
| 2     | PB070273    |      | 27 WINDOW PACK INSULATION            |
| 3     | PB070306    |      | 27 TOP BROIL INSULATION              |
| 4     | PB070307    |      | 27 TOP INSULATION                    |
| 5     | A2009641    |      | BRKT, TOP WRAPPER                    |
| 6     | PJ010050    |      | SEALED BROIL ELEMENT W/GLASS         |
| 7     | PB070336    |      | DOOR BRACKET INSULATION              |
| 8     | PB070337    |      | LINER FRONT INSULATION               |
| 9     | PD020055    |      | NO.10 X 1/2 PAN PHIL. TEK. SS        |
| 10    | B20014050   |      | PREMIERE BROIL ELEMENT BRACKET FRONT |
| 11    | B20014051   |      | PREMIERE BROIL ELEMENT BRACKET REAR  |
| 12    | PE050206    |      | RTD THERMOSTAT PROBE                 |
| 13    | PM010014    |      | SMOKE ELIMINATOR (VDSC)              |
| 14    | PB020275    |      | VENT TUBE                            |
| 15    | PE050205    |      | TOP HALOGEN LIGHT<br>(BEFORE C-0396) |
| NI    | PE050239    |      | HALOGEN LAMP<br>(AFTER C-0396)       |



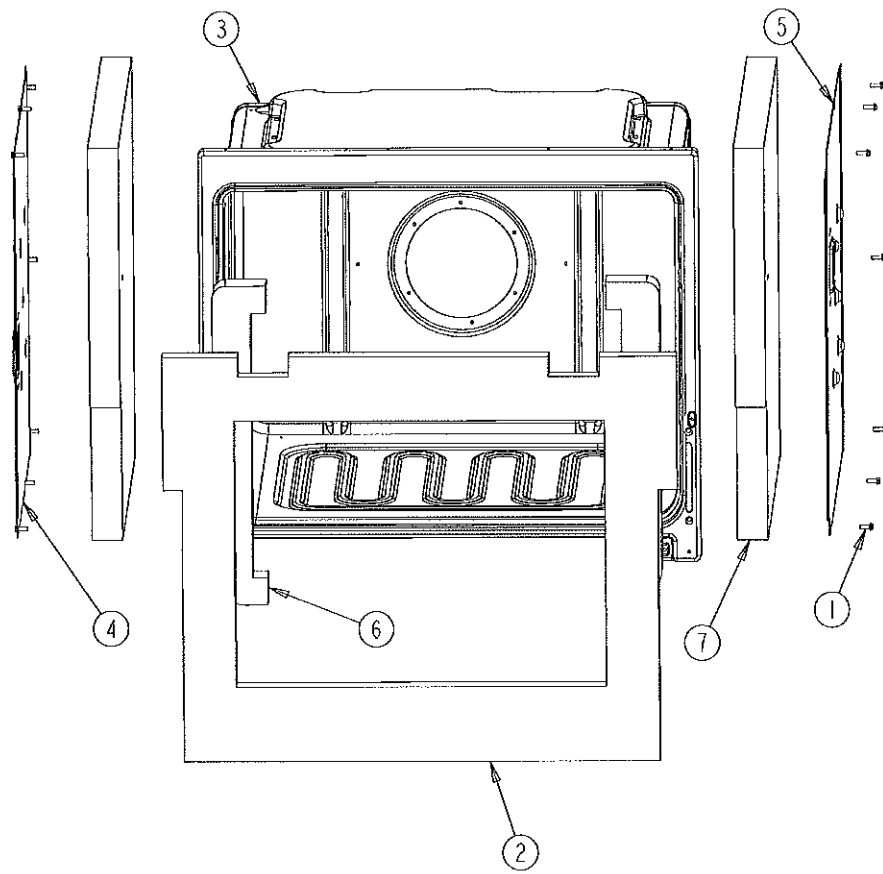
| Ref # | Part Number | Qty. | Description  |
|-------|-------------|------|--|
| 1     | PE050114    |      | MEAT PROBE (DESO/DED0) (SWITCHCRAFT'S PART NO. 4...      |
| 2     | PD020060    |      | 10 X 1/2 (5/16)HEX WSHR HD.(T)A                          |
| 3     | PD020232    |      | NO.8 X 3/4 PH PAN HEAD TEK SCREW (BLACK OXIDE)           |
| 4     | PB060105    |      | 27 OVEN RACK   |
| 5     | G91013597   |      | 27 BAFFLE ASSEMBLY                                       |
| 6     | PB060103    |      | RACK SUPPORT RH  |
| 7     | PB060104    |      | RACK SUPPORT LH  |
| 8     | E9107933    |      | BROILER PAN  |
| 9     | E9107934    |      | BROILER PAN INSERT                                       |
| 10    | PB080020    |      | BROILER PAN RACK   |
| 11    | PJ010047    |      | CONVECTION ELEMENT                                       |
| 12    | G32014020   |      | CONVECTION FAN ASSY                                      |
| 13    | PM010160    |      | MEAT PROBE JACK COVER                                    |
| 14    | PE050115    |      | MEAT PROBE JACK  |
| 15    | PE050056    |      | OVEN LIGHT ASSY 12V/5W<br>(BEFORE SERIAL NO. C-0396)     |
| NI    | PE050238    |      | 120 VOLT SIDE HALOGEN LIGHT<br>(AFTER SERIAL NO. C-0396) |
| 16    | PD020055    |      | NO.10 X 1/2 PAN PHIL. TEK. SS                            |
| 17    | PD020013    |      | TYPE AB NO.6 X 3/8 PH PAN HD. SMS                        |
| 18    | PB060106    |      | 27 SLIDING OVEN RACK                                     |
| 19    | PB070312    |      | CONVECTION MOTOR MTG. PLATE INSULATION                   |



| Ref # | Part Number | Qty. | Description  |
|-------|-------------|------|--|
| 1     | PD020060    |      | 10 X 1/2 (5/16)HEX WSHR HD.(T)A                          |
| 2     | PD020232    |      | NO.8 X 3/4 PH PAN HEAD TEK SCREW (BLACK OXIDE)           |
| 3     | PB060105    |      | 27 OVEN RACK   |
| 4     | G91013597   |      | 27 BAFFLE ASSEMBLY                                       |
| 5     | PB060103    |      | RACK SUPPORT RH  |
| 6     | PB060104    |      | RACK SUPPORT LH  |
| 7     | PJ010047    |      | CONVECTION ELEMENT                                       |
| 8     | G32014020   |      | CONVECTION FAN ASSY                                      |
| 9     | PE050056    |      | OVEN LIGHT ASSY 12V/5W<br>(BEFORE SERIAL NO. C-0396)     |
| NI    | PE050238    |      | 120 VOLT SIDE HALOGEN LIGHT<br>(AFTER SERIAL NO. C-0396) |
| 10    | PD020055    |      | NO.10 X 1/2 PAN PHIL. TEK. SS                            |
| 11    | PD020013    |      | TYPE AB NO.6 X 3/8 PH PAN HD. SMS                        |
| 12    | PB060106    |      | 27 SLIDING OVEN RACK                                     |
| 13    | PB070312    |      | CONVECTION MOTOR MTG. PLATE INSULATION                   |
| NI    | 001097-000  |      | FAN MOTOR JUMPER   |

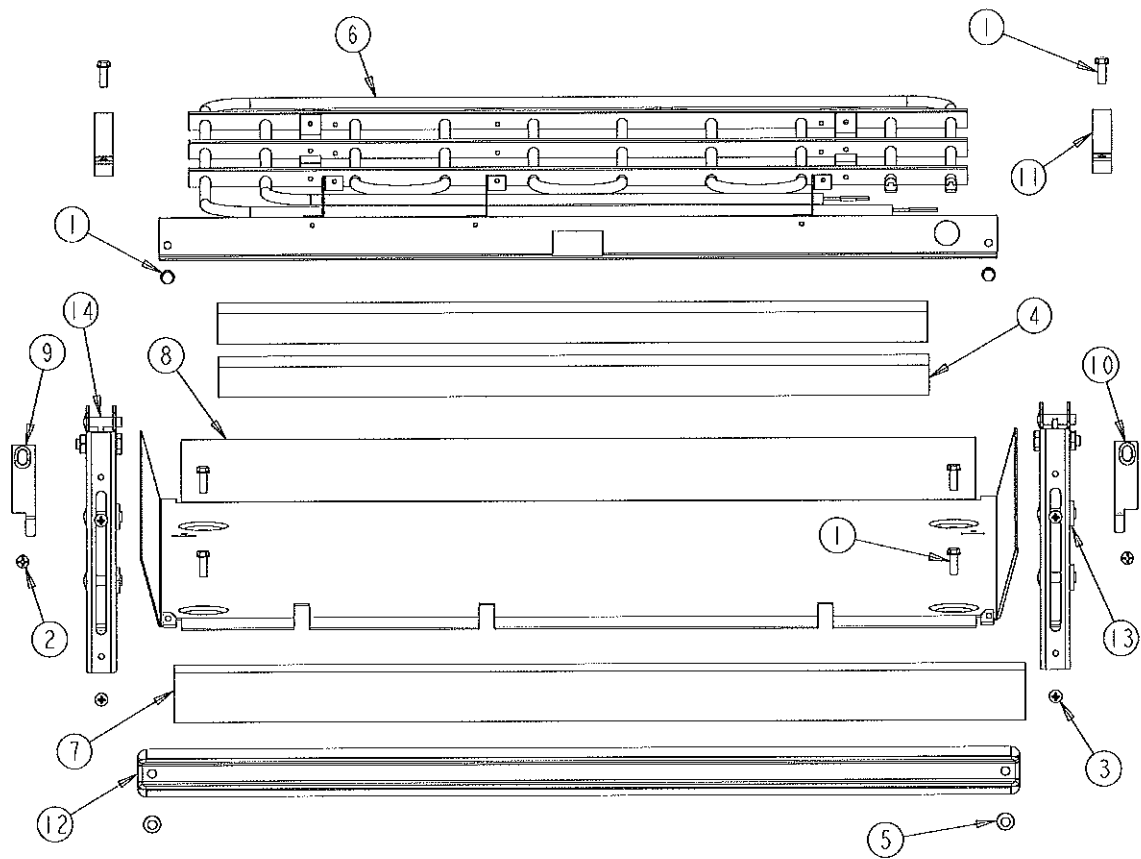


| Ref # | Part Number | Qty. | Description                     |
|-------|-------------|------|---------------------------------|
| 1     | PD020060    |      | 10 X 1/2 (5/16)HEX WSHR HD.(T)A |
| 2     | PD020002    |      | 10 X 1/2 PH.TR.HD.SMS.          |
| 3     | PD020014    |      | 10X3/4 PH TR HD SMS             |
| 4     | PB070276    |      | 27 DOOR INSULATION              |
| 5     | G91014042   |      | 27 PREMIERE CAVITY ASSY         |
| 6     | A20012650   |      | BRKT, TOP WRAPPER LEFT          |
| 7     | A2009622    |      | BRKT, TOP WRAPPER, RIGHT        |
| 8     | PB070271    |      | DOOR PLUG INSULATION            |
| 9     | PB070302    |      | SIDE INSULATION                 |
| 10    | PE040278    |      | PROF. DOUBLE SIDE TRIM LH       |
| 11    | PE040277    |      | PROF. DOUBLE SIDE TRIM RH       |

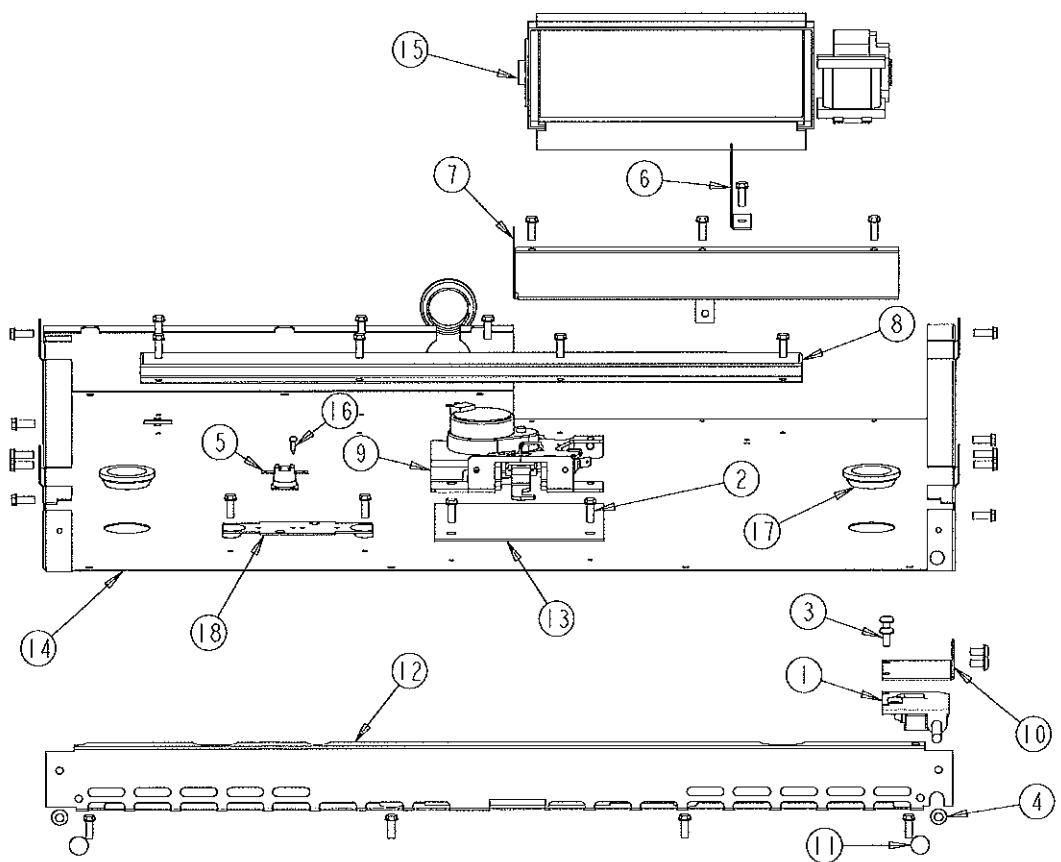




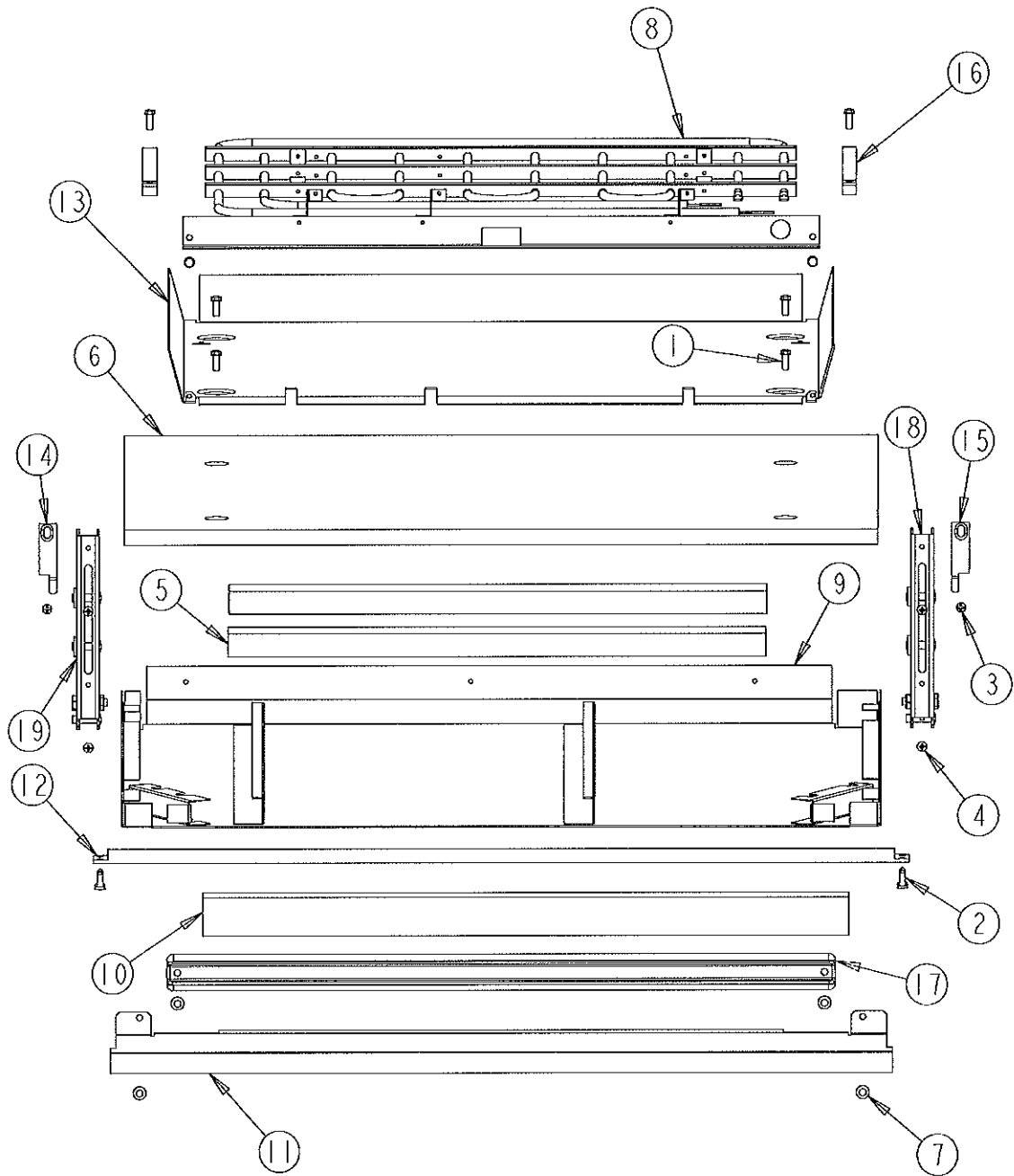
| Ref # | Part Number | Qty. | Description                     |
|-------|-------------|------|---------------------------------|
| 1     | PD020060    |      | 10 X 1/2 (5/16)HEX WSHR HD.(T)A |
| 2     | PB070276    |      | 27 DOOR INSULATION              |
| 3     | G91014042   |      | 27 PREMIERE CAVITY ASSY         |
| 4     | A20012650   |      | BRKT, TOP WRAPPER LEFT          |
| 5     | A2009622    |      | BRKT, TOP WRAPPER, RIGHT        |
| 6     | E91014053   |      | PORCELAIN 25/64 HOLE PLUG       |
| 7     | PB070271    |      | DOOR PLUG INSULATION            |
| 8     | PB070302    |      | SIDE INSULATION                 |



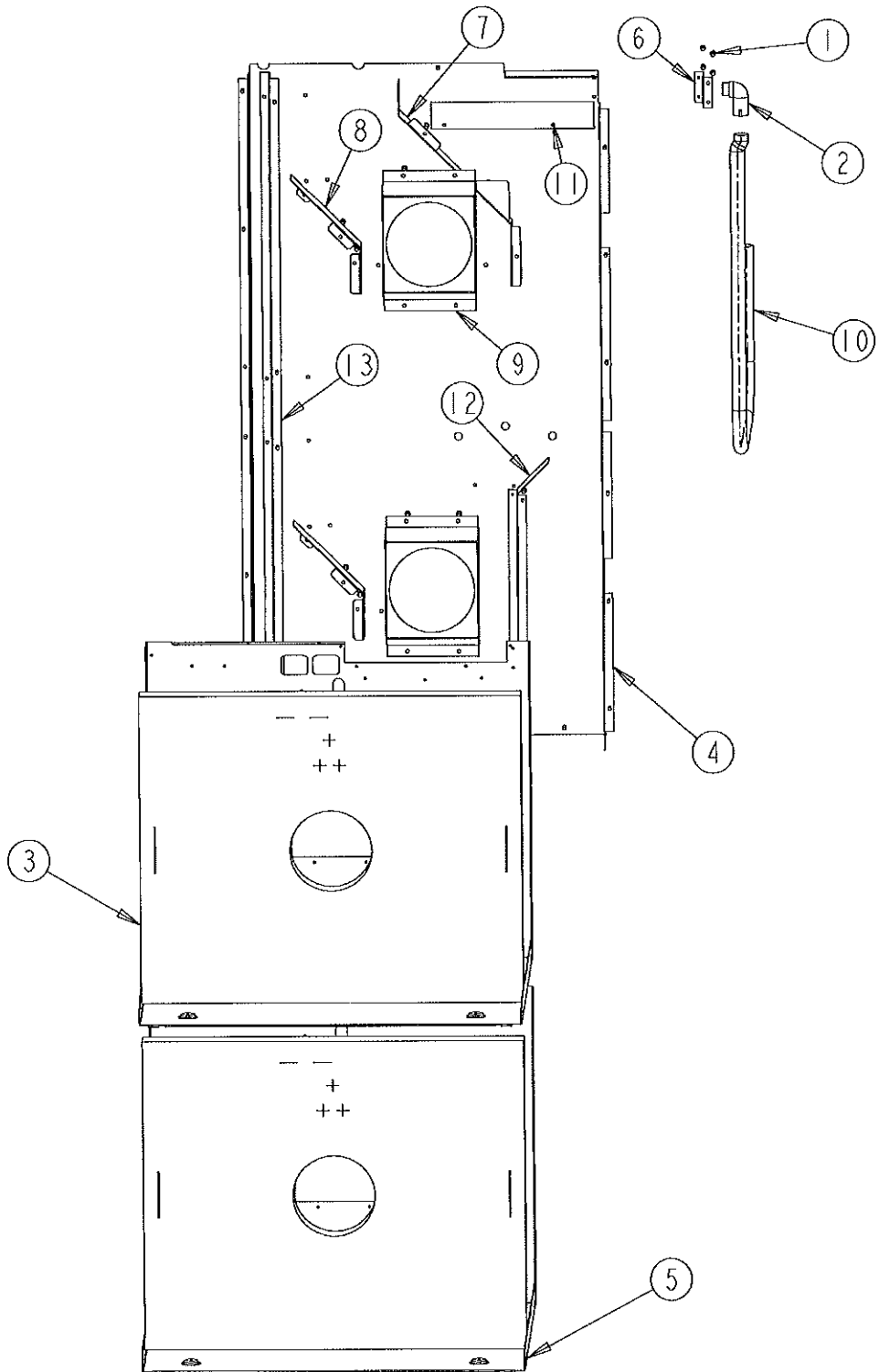
| Ref # | Part Number | Qty. | Description                          |
|-------|-------------|------|--------------------------------------|
| 1     | PD020060    |      | 10 X 1/2 (5/16)HEX WSHR HD.(T)A      |
| 2     | PD020061    |      | NO.8 X 3/4 FLAT HD TEK. SS.          |
| 3     | PD020062    |      | NO.8-32 X 3/8 PHMS TYPE 1            |
| 4     | PB070273    |      | 27 WINDOW PACK INSULATION            |
| 5     | PD020063    |      | SCREW-NO.8(A) X 3/8PH WFR HD/BK OXID |
| 6     | PJ010048    |      | BAKE ELEMENT                         |
| 7     | PB070309    |      | BAKE ELEMENT INSULATION              |
| 8     | A20010932   |      | ELEMENT, MTG TRAY                    |
| 9     | B21010916   |      | HINGE CLIP - LH                      |
| 10    | B21010915   |      | HINGE CLIP - RH                      |
| 11    | A2009696    |      | HOLDER, BAKE ELEMENT                 |
| 12    | E2109655    |      | COVER, BAKE TRAY                     |
| 13    | PC020221    |      | HINGE POCKET RECEIVER MANSFIELD RH   |
| 14    | PC020247    |      | HINGE POCKET RECEIVER MANSFIELD LH   |



| Ref # | Part Number | Qty. | Description                                  |
|-------|-------------|------|--|
| 1     | PE050208    |      | DOOR SWITCH                                  |
| 2     | PD020060    |      | 10 X 1/2 (5/16)HEX WSHR HD.(T)A              |
| 3     | PD020004    |      | 10X3/8PH.HD.TYPE 25 REPL PD040125            |
| 4     | PD020063    |      | SCREW-NO.8(A) X 3/8PH WFR HD/BK OXID         |
| 5     | PJ030039    |      | BI-METAL THERMOSTAT 275 DEGREES              |
| 6     | A20014036   |      | BOTTOM BLOWER DIVIDER                        |
| 7     | A2009659    |      | BRACKET, FILLER, BLOWER                      |
| 8     | A20012808   |      | CATALYST EXHAUST, MIDDLE MODULE              |
| 9     | PE050210    |      | DOOR LATCH                                   |
| 10    | A20012649   |      | DOOR SWITCH BRACKET                          |
| 11    | PD040004    |      | GROMMET BUMPER                               |
| 12    | C90012803BK |      | INLET GRILL DBL LOWER OVEN 27                |
| 13    | PB070321    |      | LOWER LATCH INSULATION                       |
| 14    | A20012802   |      | MODULE PAN 27                                |
| 15    | PE050228    |      | PREMIUM BLOWER                               |
| 16    | PD020013    |      | TYPE AB NO.6 X 3/8 PH PAN HD. SMS            |
| 17    | PB070079    |      | SILICONE EXTRUSION (DGSU)                    |
| 18    | A1002456    |      | THERMO-DISC BRKT (VDSC)<br>(BEFORE 08/21/06) |
| NI    | A20014089   |      | DISC BRACKET<br>(AFTER 08/21/06)             |

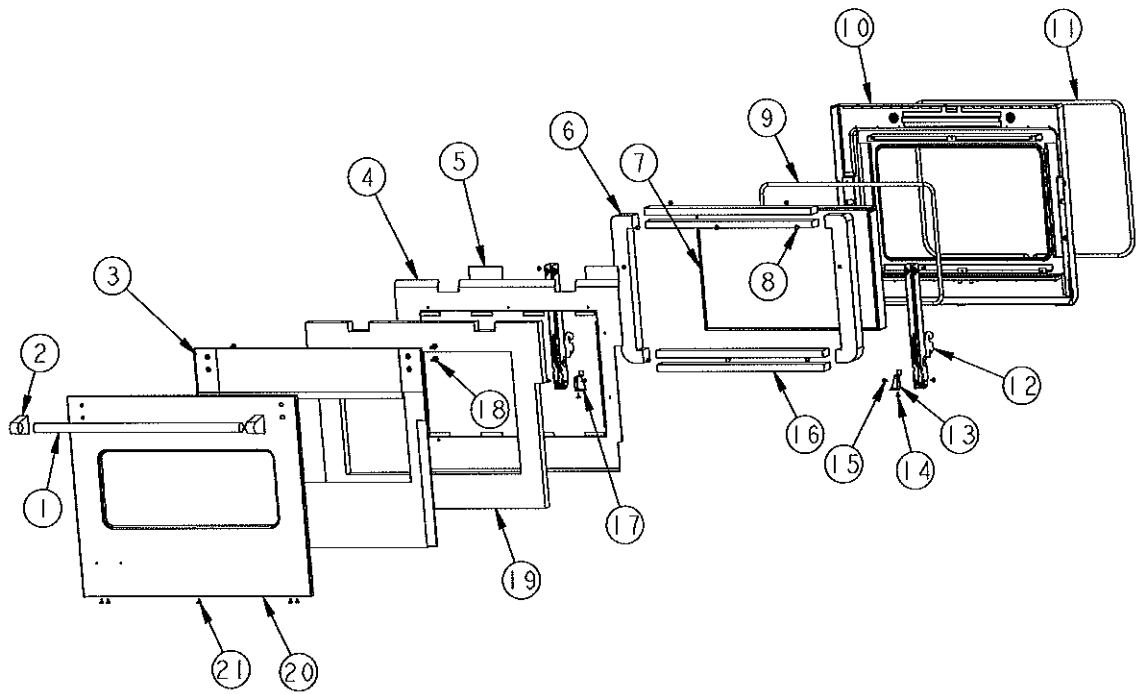


| Ref # | Part Number | Qty. | Description                          |
|-------|-------------|------|--------------------------------------|
| 1     | PD020060    |      | 10 X 1/2 (5/16)HEX WSHR HD.(T)A      |
| 2     | PD020045    |      | NO.8 X 1/2 PH FLAT TEK (ZINC)        |
| 3     | PD020061    |      | NO.8 X 3/4 FLAT HD TEK. SS.          |
| 4     | PD020062    |      | NO.8-32 X 3/8 PHMS TYPE 1            |
| 5     | PB070273    |      | 27 WINDOW PACK INSULATION            |
| 6     | PB070300    |      | 27 BOTTOM INSULATION                 |
| 7     | PD020063    |      | SCREW-NO.8(A) X 3/8PH WFR HD/BK OXID |
| 8     | PJ010048    |      | BAKE ELEMENT                         |
| 9     | G30010922   |      | BASE MODULE ASSY 27                  |
| 10    | PB070309    |      | BAKE ELEMENT INSULATION              |
| 11    | C90010956BK |      | BOTTOM AIR DEFLECTOR 27              |
| 12    | PE040272    |      | 27 PROF. BOTTOM TRIM                 |
| 13    | A20010932   |      | ELEMENT, MTG TRAY                    |
| 14    | B21010916   |      | HINGE CLIP - LH                      |
| 15    | B21010915   |      | HINGE CLIP - RH                      |
| 16    | A2009696    |      | HOLDER, BAKE ELEMENT                 |
| 17    | E9109655    |      | BAKE TRAY COVER                      |
| 18    | PC020221    |      | HINGE POCKET RECEIVER MANSFIELD RH   |
| 19    | PC020247    |      | HINGE POCKET RECEIVER MANSFIELD LH   |



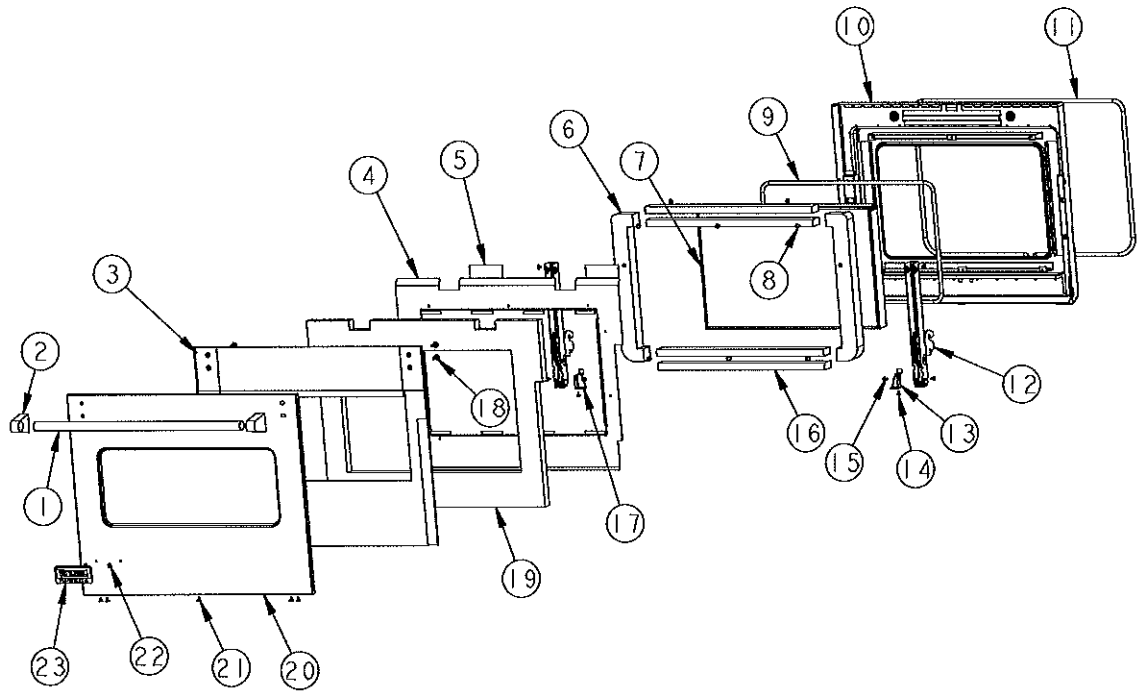


| Ref # | Part Number | Qty. | Description                       |
|-------|-------------|------|-----------------------------------|
| 1     | PD020060    |      | 10 X 1/2 (5/16)HEX WSHR HD.(T)A   |
| 2     | PB040070    |      | CONDUIT FITTING (90 DEG)          |
| 3     | PB070301    |      | 27 BACK INSULATION                |
| 4     | A20012807   |      | PANEL, REAR                       |
| 5     | A20010931   |      | BASE, BACK WRAPPER, 27            |
| 6     | A2009671    |      | BRACKET, POWER CABLE              |
| 7     | A21010918   |      | BRACKET, AIR, CONVECTION MOTOR    |
| 8     | A21010919   |      | BRACKET, AIR, CONVECTION MOTOR    |
| 9     | A2009697    |      | BRACKET, CONVECTION INSULATION    |
| 10    | PB020071    |      | CONDUIT - FLEXIBLE (48)           |
| 11    | A10010907   |      | COVER, BLOWER                     |
| 12    | A20012809   |      | REAR AIR DIVIDER, DBL, LOWER OVEN |
| 13    | A2009684    |      | REAR AIR DIVIDER, DOUBLE OVEN     |



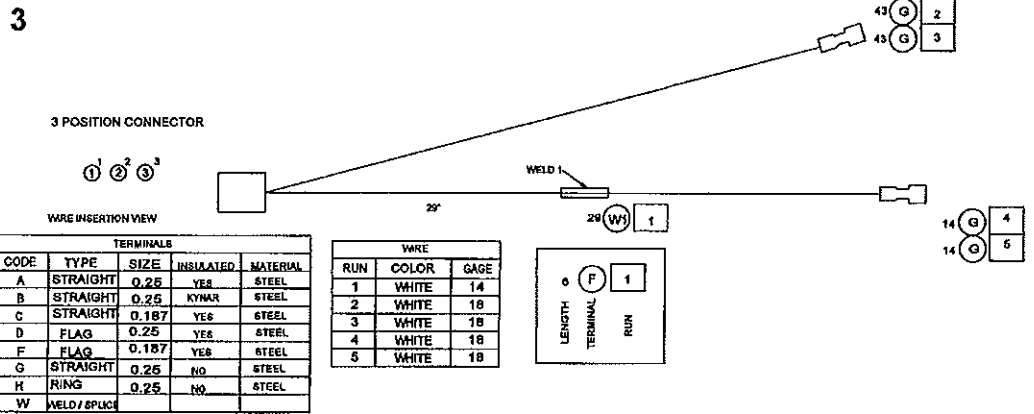
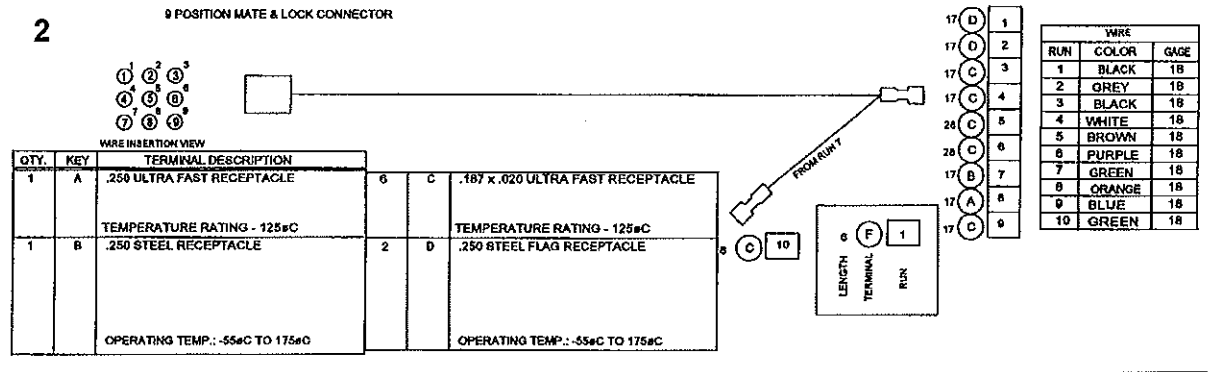
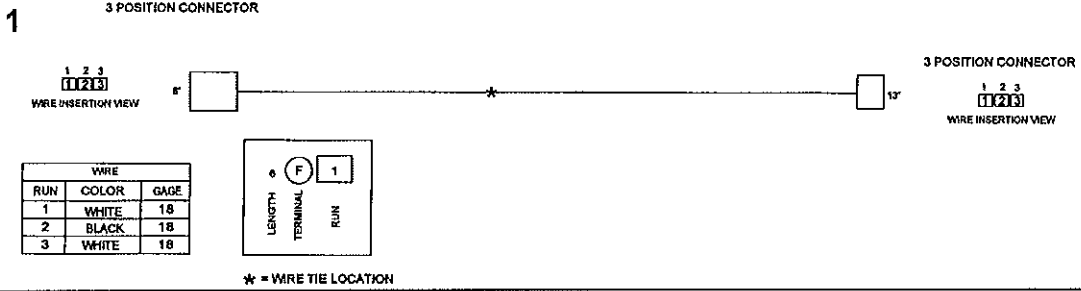
| Ref # | Part Number  | Qty. | Description  |
|-------|--------------|------|--|
| 1     | PE030178     |      | 27 PROF. DOOR HANDLE                                     |
|       | PE030178PVD  |      | 27 PROF. DOOR HANDLE XPVDX                               |
| 2     | PE030001     |      | BRACKET, DOOR, HANDLE                                    |
|       | PE030001PVD  |      | END CAP DOOR HANDLE XBR                                  |
| 3     | 001501-000   |      | PRO 27` INSULATION RETAINER KIT (AFTER 7-17-06)          |
|       |              |      | (AFTER 07-17-06)   |
|       | 001503-000   |      | PRO 27 INSULATION RETAINER (BEFORE 7/17/06)              |
|       |              |      | (BEFORE 07-17-06)  |
| 4     | A20010949    |      | PANEL, INSULATION, INNNER DOOR                           |
| 5     | PB070336     |      | DOOR BRACKET INSULATION                                  |
| 6     | PB070271     |      | DOOR PLUG INSULATION                                     |
| 7     | PE060093     |      | 27 WINDOW PACK   |
| 8     | PD020002     |      | 10 X 1/2 PH.TR.HD.SMS.                                   |
| 9     | 000594-000   |      | BLACK FIBERGLASS ROPE 3/8                                |
| 10    | G91010942    |      | DOOR LINER ASSEMBLY                                      |
| 11    | PB070245     |      | 27 DOOR GASKET   |
| 12    | 023798-000   | 2    | HINGE, MANSFIELD, WHITE                                  |
| 13    | A20012640    |      | HINGE SUPPORT RH   |
| 14    | PD020063     |      | SCREW-NO.8(A) X 3/8PH WFR HD/BK OXID                     |
| 15    | PD020004     |      | 10X3/8PH.HD.TYPE 25 REPL PD040125                        |
| 16    | PB070273     |      | 27 WINDOW PACK INSULATION                                |
| 17    | A20012641    |      | HINGE SUPPORT LH   |
| 18    | PD020186     |      | 1/4-20 X 3/4 HEX WASHER HEAD MS                          |
| 19    | PB070276     |      | 27 DOOR INSULATION                                       |
| 20    | PS500016AL   |      | 27 PRO DOOR SKIN SVC KIT W/O LOGO AFTER 07/17/06 - AL    |
| 20    | PS500016ALBR |      | 27 PRO DOOR SKIN SVC KIT W/O LOGO AFTER 07/17/06 - AL... |
| 20    | PS500016BK   |      | 27 PRO DOOR SKIN SVC KIT W/O LOGO AFTER 07/17/06 - BK    |
| 20    | PS500016BKBR |      | 27 PRO DOOR SKIN SVC KIT W/O LOGO AFTER 07/17/06 - B...  |
| 20    | PS500016BT   |      | 27 PRO DOOR SKIN SVC KIT W/O LOGO AFTER 07/17/06 -BT     |
| 20    | PS500016BTBR |      | 27 PRO DOOR SKIN SVC KIT W/O LOGO AFTER 07/17/06 - B...  |
| 20    | PS500016BU   |      | 27 PRO DOOR SKIN SVC KIT W/O LOGO AFTER 07/17/06 -BU     |
| 20    | PS500016BUBR |      | 27 PRO DOOR SKIN SVC KIT W/O LOGO AFTER 07/17/06 - B...  |
| 20    | PS500016CB   |      | 27 PRO DOOR SKIN SVC KIT W/O LOGO AFTER 07/17/06 - CB    |
| 20    | PS500016CBBR |      | 27 PRO DOOR SKIN SVC KIT W/O LOGO AFTER 07/17/06 - C...  |
| 20    | PS500016EP   |      | 27 PRO DOOR SKIN SVC KIT W/O LOGO AFTER 07/17/06 -EP     |
| 20    | PS500016EPBR |      | 27 PRO DOOR SKIN SVC KIT W/O LOGO AFTER 07/17/06 - E...  |
| 20    | PS500016FG   |      | 27 PRO DOOR SKIN SERVICE KIT W/O LOGO AFTER 07/17/0...   |
| 20    | PS500016FGBR |      | 27 PRO DOOR SKIN SERVICE KIT W/O LOGO AFTER 07/17/0...   |
| 20    | PS500016GG   |      | 27 PRO DOOR SKIN SERVICE KIT W/O LOGO AFTER 07/17/0...   |
| 20    | PS500016GGBR |      | 27 PRO DOOR SKIN SERVICE KIT W/O LOGO AFTER 07/17/0...   |
| 20    | PS500016LE   |      | 27 PRO DOOR SKIN SERVICE KIT W/O LOGO AFTER 07/17/0...   |
| 20    | PS500016LEBR |      | 27 PRO DOOR SKIN SERVICE KIT W/O LOGO AFTER 07/17/0...   |
| 20    | PS500016MJ   |      | 27 PRO DOOR SKIN SERVICE KIT W/O LOGO AFTER 07/17/0...   |
| 20    | PS500016MJBR |      | 27 PRO DOOR SKIN SERVICE KIT W/O LOGO AFTER 07/17/0...   |
| 20    | PS500016SG   |      | 27 PRO DOOR SKIN SERVICE KIT W/O LOGO AFTER 07/17/0...   |
| 20    | PS500016SGBR |      | 27 PRO DOOR SKIN SERVICE KIT W/O LOGO AFTER 07/17/0...   |
| 20    | PS500016SS   |      | 27 PRO DOOR SKIN SERVICE KIT W/O LOGO AFTER 07/17/0...   |
| 20    | PS500016SSBR |      | 27 PRO DOOR SKIN SERVICE KIT W/O LOGO AFTER 07/17/0...   |
| 20    | PS500016VB   |      | 27 PRO DOOR SKIN SERVICE KIT W/O LOGO AFTER 07/17/0...   |
| 20    | PS500016VBBR |      | 27 PRO DOOR SKIN SERVICE KIT W/O LOGO AFTER 07/17/0...   |
| 20    | PS500016WH   |      | 27 PRO DOOR SKIN SERVICE KIT W/O LOGO AFTER 07/17/0...   |
| 20    | PS500016WHBR |      | 27 PRO DOOR SKIN SERVICE KIT W/O LOGO AFTER 07/17/0...   |
| 20    | PS500020AL   |      | 27 PRO DOOR SKIN SERVICE KIT W/O LOGO BEFORE 07/17/...   |
| 20    | PS500020ALBR |      | 27 PRO DOOR SKIN SERVICE KIT W/O LOGO BEFORE 07/17/...   |
| 20    | PS500020BK   |      | 27 PRO DOOR SKIN SERVICE KIT W/O LOGO BEFORE 07/17/...   |
| 20    | PS500020BKBR |      | 27 PRO DOOR SKIN SERVICE KIT W/O LOGO BEFORE 07/17/...   |
| 20    | PS500020BT   |      | 27 PRO DOOR SKIN SERVICE KIT W/O LOGO BEFORE 07/17/...   |
| 20    | PS500020BTBR |      | 27 PRO DOOR SKIN SERVICE KIT W/O LOGO BEFORE 07/17/...   |
| 20    | PS500020BU   |      | 27 PRO DOOR SKIN SERVICE KIT W/O LOGO BEFORE 07/17/...   |
| 20    | PS500020BUBR |      | 27 PRO DOOR SKIN SERVICE KIT W/O LOGO BEFORE 07/17/...   |

| Ref # | Part Number   | Qty. | Description  |
|-------|---------------|------|--|
| 20    | PS500020BUBR  |      | 27 PRO DOOR SKIN SERVICE KIT W/O LOGO BEFORE 07/17/... |
| 20    | PS500020CB    |      | 27 PRO DOOR SKIN SERVICE KIT W/O LOGO BEFORE 07/17/... |
| 20    | PS500020CBBR  |      | 27 PRO DOOR SKIN SERVICE KIT W/O LOGO BEFORE 07/17/... |
| 20    | PS500020EP    |      | 27 PRO DOOR SKIN SERVICE KIT W/O LOGO BEFORE 07/17/... |
| 20    | PS500020EPBR  |      | 27 PRO DOOR SKIN SERVICE KIT W/O LOGO BEFORE 07/17/... |
| 20    | PS500020FG    |      | 27 PRO DOOR SKIN SERVICE KIT W/O LOGO BEFORE 07/17/... |
| 20    | PS500020FGBR  |      | 27 PRO DOOR SKIN SERVICE KIT W/O LOGO BEFORE 07/17/... |
| 20    | PS500020GG    |      | 27 PRO DOOR SKIN SERVICE KIT W/O LOGO BEFORE 07/17/... |
| 20    | PS500020GGBR  |      | 27 PRO DOOR SKIN SERVICE KIT W/O LOGO BEFORE 07/17/... |
| 20    | PS500020LE    |      | 27 PRO DOOR SKIN SERVICE KIT W/O LOGO BEFORE 07/17/... |
| 20    | PS500020LEBR  |      | 27 PRO DOOR SKIN SERVICE KIT W/O LOGO BEFORE 07/17/... |
| 20    | PS500020MJ    |      | 27 PRO DOOR SKIN SERVICE KIT W/O LOGO BEFORE 07/17/... |
| 20    | PS500020MJBR  |      | 27 PRO DOOR SKIN SERVICE KIT W/O LOGO BEFORE 07/17/... |
| 20    | PS500020SG    |      | 27 PRO DOOR SKIN SERVICE KIT W/O LOGO BEFORE 07/17/... |
| 20    | PS500020SGBR  |      | 27 PRO DOOR SKIN SERVICE KIT W/O LOGO BEFORE 07/17/... |
| 20    | PS500020SS    |      | 27 PRO DOOR SKIN SERVICE KIT W/O LOGO BEFORE 07/17/... |
| 20    | PS500020SSBR  |      | 27 PRO DOOR SKIN SERVICE KIT W/O LOGO BEFORE 07/17/... |
| 20    | PS500020VB    |      | 27 PRO DOOR SKIN SERVICE KIT W/O LOGO BEFORE 07/17/... |
| 20    | PS500020VBBR  |      | 27 PRO DOOR SKIN SERVICE KIT W/O LOGO BEFORE 07/17/... |
| 20    | PS500020WH    |      | 27 PRO DOOR SKIN SERVICE KIT W/O LOGO BEFORE 07/17/... |
| 20    | PS500020WHBR  |      | 27 PRO DOOR SKIN SERVICE KIT W/O LOGO BEFORE 07/17/... |
| 21    | PD020032      |      | SRW-8(A)X3/8PH.WFR HD 7/16DIA XNCL                     |
| NI    | G32012720AL   |      | 27 DOOR ASSY W/O LOGO XALX                             |
| NI    | G32012720ALBR |      | 27 DOOR ASSY W/O LOGO XALBRX                           |
| NI    | G32012720BK   |      | 27 DOOR ASSY W/O LOGO XBKX                             |
| NI    | G32012720BKBR |      | 27 DOOR ASSY W/O LOGO XBKBRX                           |
| NI    | G32012720BT   |      | 27 DOOR ASSY W/O LOGO XBTX                             |
| NI    | G32012720BTBR |      | 27 DOOR ASSY W/O LOGO XBTBRX                           |
| NI    | G32012720BU   |      | 27 DOOR ASSY W/O LOGO XBUX                             |
| NI    | G32012720BUBR |      | 27 DOOR ASSY W/O LOGO XBUBRX                           |
| NI    | G32012720CB   |      | 27 DOOR ASSY W/O LOGO XCBX                             |
| NI    | G32012720CBBR |      | 27 DOOR ASSY W/O LOGO XCBBRX                           |
| NI    | G32012720EP   |      | 27 DOOR ASSY W/O LOGO XEPX                             |
| NI    | G32012720EPBR |      | 27 DOOR ASSY W/O LOGO XEPBRX                           |
| NI    | G32012720FG   |      | 27 DOOR ASSY W/O LOGO XFGX                             |
| NI    | G32012720FGBR |      | 27 DOOR ASSY W/O LOGO XFGBRX                           |
| NI    | G32012720GG   |      | 27 DOOR ASSY W/O LOGO XGGX                             |
| NI    | G32012720GGBR |      | 27 DOOR ASSY W/O LOGO XGGBRX                           |
| NI    | G32012720LE   |      | 27 DOOR ASSY W/O LOGO XLEX                             |
| NI    | G32012720LEBR |      | 27 DOOR ASSY W/O LOGO XLEBRX                           |
| NI    | G32012720MJ   |      | 27 DOOR ASSY W/O LOGO XMJX                             |
| NI    | G32012720MJBR |      | 27 DOOR ASSY W/O LOGO XMJBRX                           |
| NI    | G32012720SG   |      | 27 DOOR ASSY W/O LOGO XSGX                             |
| NI    | G32012720SGBR |      | 27 DOOR ASSY W/O LOGO XSGBRX                           |
| NI    | G32012720SS   |      | 27 DOOR ASSY W/O LOGO                                  |
| NI    | G32012720SSBR |      | 27 DOOR ASSY W/O LOGO XSSBRX                           |
| NI    | G32012720VB   |      | 27 DOOR ASSY W/O LOGO XVBX                             |
| NI    | G32012720VBBR |      | 27 DOOR ASSY W/O LOGO XVBBRX                           |
| NI    | G32012720WH   |      | 27 DOOR ASSY W/O LOGO XWHX                             |
| NI    | G32012720WHBR |      | 27 DOOR ASSY W/O LOGO XWHBRX                           |
| NI    | 017736-000    | 1    | WINDOW PACK INSULATION KIT                             |



| Ref # | Part Number  | Qty. | Description   |
|-------|--------------|------|---|
| 1     | PE030178     |      | 27 PROF. DOOR HANDLE                                    |
|       | PE030178PVD  |      | 27 PROF. DOOR HANDLE XPV DX                             |
| 2     | PE030001     |      | BRACKET, DOOR, HANDLE                                   |
|       | PE030001PVD  |      | END CAP DOOR HANDLE XBR                                 |
| 3     | 001501-000   |      | PRO 27" INSULATION RETAINER KIT (AFTER 7-17-06)         |
|       |              |      | (AFTER 07-17-06)  |
| NI    | 001503-000   |      | PRO 27 INSULATION RETAINER (BEFORE 7/17/06)             |
|       |              |      | (BEFORE 07-17-06)                                       |
| 4     | A20010949    |      | PANEL, INSULATION, INNER DOOR                           |
| 5     | PB070336     |      | DOOR BRACKET INSULATION                                 |
| 6     | PB070271     |      | DOOR PLUG INSULATION                                    |
| 7     | PE060093     |      | 27 WINDOW PACK  |
| 8     | PD020002     |      | 10 X 1/2 PH.TR.HD.SMS.                                  |
| 9     | 000594-000   |      | BLACK FIBERGLASS ROPE 3/8                               |
| 10    | G91010942    |      | DOOR LINER ASSEMBLY                                     |
| 11    | PB070245     |      | 27 DOOR GASKET  |
| 12    | 023798-000   |      | HINGE, MANSFIELD, WHITE                                 |
| 13    | A20012640    |      | HINGE SUPPORT RH  |
| 14    | PD020063     |      | SCREW-NO.8(A) X 3/8PH WFR HD/BK OXID                    |
| 15    | PD020004     |      | 10X3/8PH.HD.TYPE 25 REPL PD040125                       |
| 16    | PB070273     |      | 27 WINDOW PACK INSULATION                               |
| 17    | A20012641    |      | HINGE SUPPORT LH  |
| 18    | PD020186     |      | 1/4-20 X 3/4 HEX WASHER HEAD MS                         |
| 19    | PB070276     |      | 27 DOOR INSULATION                                      |
| 20    | PS500014AL   |      | 27 PRO DOOR SKIN SERVICE KIT W/LOGO AFTER 07/17/06 -... |
| 20    | PS500014ALBR |      | 27 PRO DOOR SKIN SERVICE KIT W/LOGO AFTER 07/17/06 -... |
| 20    | PS500014BK   |      | 27 PRO DOOR SKIN SERVICE KIT W/LOGO AFTER 07/17/06 -... |
| 20    | PS500014BKBR |      | 27 PRO DOOR SKIN SERVICE KIT W/LOGO AFTER 07/17/06 -... |
| 20    | PS500014BT   |      | 27 PRO DOOR SKIN SERVICE KIT W/LOGO AFTER 07/17/06 -... |
| 20    | PS500014BTBR |      | 27 PRO DOOR SKIN SERVICE KIT W/LOGO AFTER 07/17/06 -... |
| 20    | PS500014BU   |      | 27 PRO DOOR SKIN SERVICE KIT W/LOGO AFTER 07/17/06 -... |
| 20    | PS500014BUBR |      | 27 PRO DOOR SKIN SERVICE KIT W/LOGO AFTER 07/17/06 -... |
| 20    | PS500014CB   |      | 27 PRO DOOR SKIN SERVICE KIT W/LOGO AFTER 07/17/06 -... |
| 20    | PS500014CBBR |      | 27 PRO DOOR SKIN SERVICE KIT W/LOGO AFTER 07/17/06 -... |
| 20    | PS500014EP   |      | 27 PRO DOOR SKIN SERVICE KIT W/LOGO AFTER 07/17/06 -... |
| 20    | PS500014EPBR |      | 27 PRO DOOR SKIN SERVICE KIT W/LOGO AFTER 07/17/06 -... |
| 20    | PS500014FG   |      | 27 PRO DOOR SKIN SERVICE KIT W/LOGO AFTER 07/17/06 -... |
| 20    | PS500014FGBR |      | 27 PRO DOOR SKIN SERVICE KIT W/LOGO AFTER 07/17/06 -... |
| 20    | PS500014GG   |      | 27 PRO DOOR SKIN SERVICE KIT W/LOGO AFTER 07/17/06 -... |
| 20    | PS500014GGBR |      | 27 PRO DOOR SKIN SERVICE KIT W/LOGO AFTER 07/17/06 -... |
| 20    | PS500014LE   |      | 27 PRO DOOR SKIN SERVICE KIT W/LOGO AFTER 07/17/06 -... |
| 20    | PS500014LEBR |      | 27 PRO DOOR SKIN SERVICE KIT W/LOGO AFTER 07/17/06 -... |
| 20    | PS500014MJ   |      | 27 PRO DOOR SKIN SERVICE KIT W/LOGO AFTER 07/17/06 -... |
| 20    | PS500014MJBR |      | 27 PRO DOOR SKIN SERVICE KIT W/LOGO AFTER 07/17/06 -... |
| 20    | PS500014SG   |      | 27 PRO DOOR SKIN SERVICE KIT W/LOGO AFTER 07/17/06 -... |
| 20    | PS500014SGBR |      | 27 PRO DOOR SKIN SERVICE KIT W/LOGO AFTER 07/17/06 -... |
| 20    | PS500014SS   |      | 27 PRO DOOR SKIN SERVICE KIT W/LOGO AFTER 07/17/06 -... |
| 20    | PS500014SSBR |      | 27 PRO DOOR SKIN SERVICE KIT W/LOGO AFTER 07/17/06 -... |
| 20    | PS500014VB   |      | 27 PRO DOOR SKIN SERVICE KIT W/LOGO AFTER 07/17/06 -... |
| 20    | PS500014VBBR |      | 27 PRO DOOR SKIN SERVICE KIT W/LOGO AFTER 07/17/06 -... |
| 20    | PS500014WH   |      | 27 PRO DOOR SKIN SERVICE KIT W/LOGO AFTER 07/17/06 -... |
| 20    | PS500014WHBR |      | 27 PRO DOOR SKIN SERVICE KIT W/LOGO AFTER 07/17/06 -... |
| 20    | PS500018AL   |      | 27 PRO DOOR SKIN SERVICE KIT W/LOGO BEFORE 07/17/0...   |
| 20    | PS500018ALBR |      | 27 PRO DOOR SKIN SRV KIT W/LOGO BEFORE 07/17/06 - AL... |
| 20    | PS500018BK   |      | 27 PRO DOOR SKIN SRV KIT W/LOGO BEFORE 07/17/06 - BK... |
| 20    | PS500018BKBR |      | 27 PRO DOOR SKIN SRV KIT W/LOGO BEFORE 07/17/06 - BK... |
| 20    | PS500018BT   |      | 27 PRO DOOR SKIN SERVICE KIT W/LOGO BEFORE 07/17/0...   |
| 20    | PS500018BTBR |      | 27 PRO DOOR SKIN SERVICE KIT W/LOGO BEFORE 07/17/0...   |
| 20    | PS500018BU   |      | 27 PRO DOOR SKIN SERVICE KIT W/LOGO BEFORE 07/17/0...   |
| 20    | PS500018BUBR |      | 27 PRO DOOR SKIN SERVICE KIT W/LOGO BEFORE 07/17/0...   |

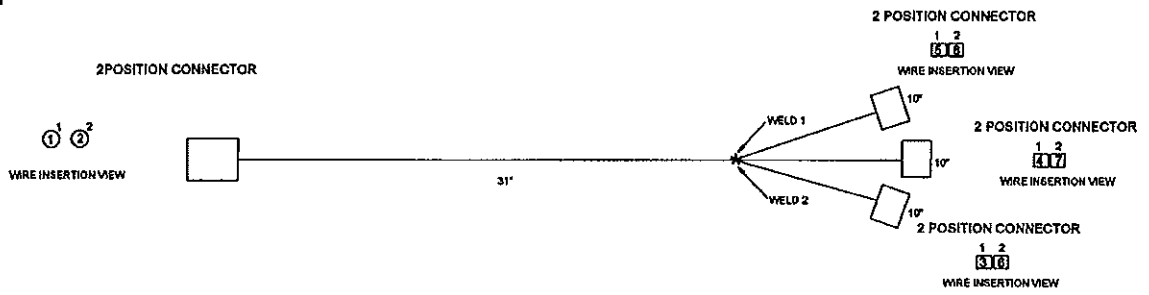
| Ref # | Part Number   | Qty. | Description   |
|-------|---------------|------|---|
| 20    | PS500018BUBR  |      | 27 PRO DOOR SKIN SERVICE KIT W/LOGO BEFORE 07/17/0...   |
| 20    | PS500018CB    |      | 27 PRO DOOR SKIN SERVICE KIT W/LOGO BEFORE 07/17/0...   |
| 20    | PS500018CBBR  |      | 27 PRO DOOR SKIN SERVICE KIT W/LOGO BEFORE 07/17/0...   |
| 20    | PS500018EP    |      | 27 PRO DOOR SKIN SERVICE KIT W/LOGO BEFORE 07/17/0...   |
| 20    | PS500018EPBR  |      | 27 PRO DOOR SKIN SERVICE KIT W/LOGO BEFORE 07/17/0...   |
| 20    | PS500018FG    |      | 27 PRO DOOR SKIN SERVICE KIT W/LOGO BEFORE 07/17/0...   |
| 20    | PS500018FGBR  |      | 27 PRO DOOR SKIN SERVICE KIT W/LOGO BEFORE 07/17/0...   |
| 20    | PS500018GG    |      | 27 PRO DOOR SKIN SERVICE KIT W/LOGO BEFORE 07/17/0...   |
| 20    | PS500018GGBR  |      | 27 PRO DOOR SKIN SERVICE KIT W/LOGO BEFORE 07/17/0...   |
| 20    | PS500018LE    |      | 27 PRO DOOR SKIN SERVICE KIT W/LOGO BEFORE 07/17/0...   |
| 20    | PS500018LEBR  |      | 27 PRO DOOR SKIN SERVICE KIT W/LOGO BEFORE 07/17/0...   |
| 20    | PS500018MJ    |      | 27 PRO DOOR SKIN SERVICE KIT W/LOGO BEFORE 07/17/0...   |
| 20    | PS500018MJBR  |      | 27 PRO DOOR SKIN SERVICE KIT W/LOGO BEFORE 07/17/0...   |
| 20    | PS500018SG    |      | 27 PRO DOOR SKIN SERVICE KIT W/LOGO BEFORE 07/17/0...   |
| 20    | PS500018SGBR  |      | 27 PRO DOOR SKIN SERVICE KIT W/LOGO BEFORE 07/17/0...   |
| 20    | PS500018SS    |      | 27 PRO DOOR SKIN SERVICE KIT W/LOGO BEFORE 07/17/0...   |
| 20    | PS500018SSBR  |      | 27 PRO DOOR SKIN SERVICE KIT W/LOGO BEFORE 07/17/0...   |
| 20    | PS500018VB    |      | 27 PRO DOOR SKIN SERVICE KIT W/LOGO BEFORE 07/17/0...   |
| 20    | PS500018VBBR  |      | 27 PRO DOOR SKIN SERVICE KIT W/LOGO BEFORE 07/17/0...   |
| 20    | PS500018WH    |      | 27 PRO DOOR SKIN SERVICE KIT W/LOGO BEFORE 07/17/0...   |
| 20    | PS500018WHBR  |      | 27 PRO DOOR SKIN SERVICE KIT W/LOGO BEFORE 07/17/0...   |
| 21    | PD020032      |      | SRW-8(A)X3/8PH.WFR HD 7/16DIAXNICL                      |
| 22    | PD030006      |      | CAPPED WASHER PAL NUT                                   |
| 23    | PE010016      |      | NAMEPLATE, LOGO, PRO                                    |
| 23    | PE010017      |      | LOGO (VGSO,VEDO,VGDO,VUD) XWH/CHR                       |
| 23    | PE010079      |      | 4.5 LOGO/VIKING PROF, BK/BR                             |
| 23    | PE010080      |      | 4.5 LOGO/VIKING PROF XWH/BR                             |
| NI    | G32012719AL   |      | 27 DOOR ASSY W/LOGO XALX                                |
| NI    | G32012719ALBR |      | 27 DOOR ASSY W/LOGO XALBRX                              |
| NI    | G32012719BK   |      | 27 DOOR ASSY W/LOGO XBKX                                |
| NI    | G32012719BKBR |      | 27 DOOR ASSY W/LOGO XBKBRX                              |
| NI    | G32012719BT   |      | 27 DOOR ASSY W/LOGO XBTX                                |
| NI    | G32012719BTBR |      | 27 DOOR ASSY W/LOGO XBTBRX                              |
| NI    | G32012719BU   |      | 27 DOOR ASSY W/LOGO XBUS                                |
| NI    | G32012719BUBR |      | 27 DOOR ASSY W/LOGO XBUBRX                              |
| NI    | G32012719CB   |      | 27 DOOR ASSY W/LOGO XCBX                                |
| NI    | G32012719CBBR |      | 27 DOOR ASSY W/LOGO XCBBRX                              |
| NI    | PS500014CW    | 1    | 27 PRO DOOR SKIN SERVICE KIT W/LOGO AFTER 07/17/06 -... |
| NI    | PS500016CW    | 1    | 27 PRO DOOR SKIN SVC KIT W/O LOGO AFTER 07/17/06 - CW   |
| NI    | G32012719EP   |      | 27 DOOR ASSY W/LOGO XEPX                                |
| NI    | G32012719EPBR |      | 27 DOOR ASSY W/LOGO XEPBRX                              |
| NI    | G32012719FG   |      | 27 DOOR ASSY W/LOGO XFGX                                |
| NI    | G32012719FGBR |      | 27 DOOR ASSY W/LOGO XFGBRX                              |
| NI    | G32012719GG   |      | 27 DOOR ASSY W/LOGO XGGX                                |
| NI    | G32012719GGBR |      | 27 DOOR ASSY W/LOGO XGGBRX                              |
| NI    | G32012719LE   |      | 27 DOOR ASSY W/LOGO XLEX                                |
| NI    | G32012719LEBR |      | 27 DOOR ASSY W/LOGO XLEBRX                              |
| NI    | G32012719MJ   |      | 27 DOOR ASSY W/LOGO XMJX                                |
| NI    | G32012719MJBR |      | 27 DOOR ASSY W/LOGO XMJBRX                              |
| NI    | G32012719SG   |      | 27 DOOR ASSY W/LOGO XSGX                                |
| NI    | G32012719SGBR |      | 27 DOOR ASSY W/LOGO XSGBRX                              |
| NI    | G32012719SS   |      | 27 DOOR ASSY W/LOGO                                     |
| NI    | G32012719SSBR |      | 27 DOOR ASSY W/LOGO XSSBRX                              |
| NI    | G32012719VB   |      | 27 DOOR ASSY W/LOGO XVBX                                |
| NI    | G32012719VBBR |      | 27 DOOR ASSY W/LOGO XVBBRX                              |
| NI    | G32012719WH   |      | 27 DOOR ASSY W/LOGO XWHX                                |
| NI    | G32012719WHBR |      | 27 DOOR ASSY W/LOGO XWHBRX                              |
| NI    | 017736-000    | 1    | WINDOW PACK INSULATION KIT                              |



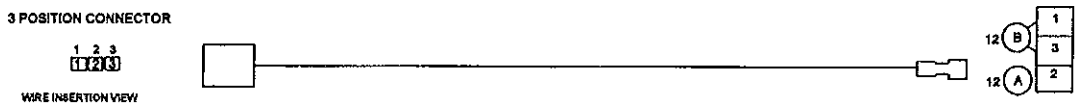


| Ref # | Part Number | Qty. | Description                        |
|-------|-------------|------|------------------------------------|
| 1     | PE070738    |      | T/STAT-SEL HARNESS                 |
| NI    | PE070733    |      | UPPER LATCH HARNESS                |
| NI    | PE070739    |      | BAKE ELEMENT HARNESS               |
| NI    | G4005496    |      | SUPPLY WIRE - 100 BK 10GA SO/DO    |
| NI    | G4005497    |      | SUPPLY WIRE - 100 GREEN 10GA SO/DO |
| NI    | G4005499    |      | SUPPLY WIRE - 100 RED 10GA SO/DO   |
| NI    | G4005494    |      | SUPPLY WIRE - 75 WH 12 GA SO/DO    |

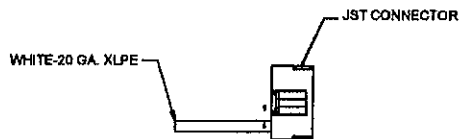
1



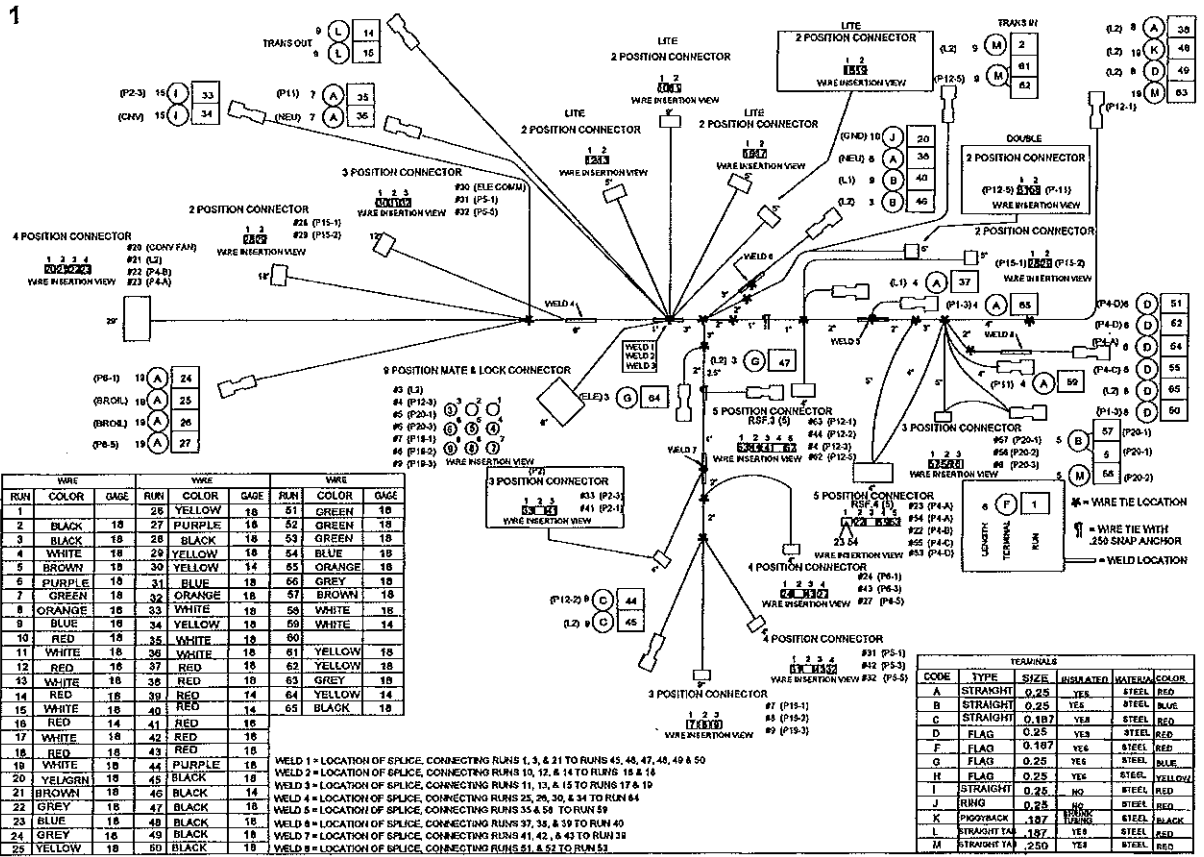
2



3



| Ref # | Part Number | Qty. | Description          |
|-------|-------------|------|----------------------|
| 1     | PE070741    |      | LOWER LIGHT HARNESS  |
| 2     | PE070744    |      | DOUBLE CLOCK HARNESS |
| 3     | PE070795    |      | 10 POSITION 27 L.O.  |

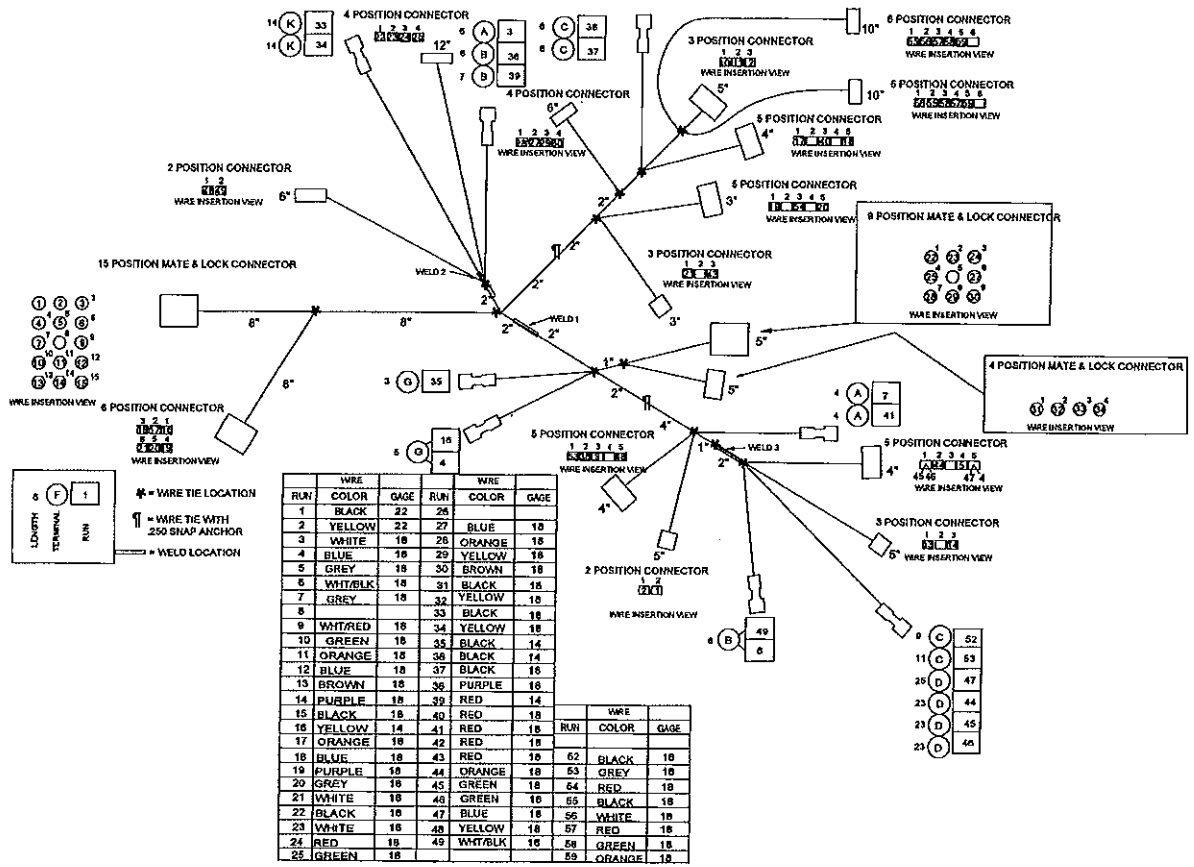


| RUN | COLOR  | GAGE | RUN | COLOR  | GAGE | RUN | COLOR  | GAGE |
|-----|--------|------|-----|--------|------|-----|--------|------|
| 1   | BLACK  | 18   | 26  | PURPLE | 18   | 51  | GREEN  | 18   |
| 2   | BLACK  | 18   | 27  | PURPLE | 18   | 52  | GREEN  | 18   |
| 3   | BLACK  | 18   | 28  | BLACK  | 18   | 53  | GREEN  | 18   |
| 4   | WHITE  | 18   | 29  | YELLOW | 18   | 54  | BLUE   | 18   |
| 5   | BROWN  | 18   | 30  | YELLOW | 18   | 55  | ORANGE | 18   |
| 6   | PURPLE | 18   | 31  | BLUE   | 18   | 56  | GREY   | 18   |
| 7   | GREEN  | 18   | 32  | ORANGE | 18   | 57  | BROWN  | 18   |
| 8   | ORANGE | 18   | 33  | WHITE  | 18   | 58  | WHITE  | 18   |
| 9   | BLUE   | 18   | 34  | YELLOW | 18   | 59  | WHITE  | 14   |
| 10  | RED    | 18   | 35  | WHITE  | 18   | 60  |        |      |
| 11  | WHITE  | 18   | 36  | WHITE  | 18   | 61  | YELLOW | 18   |
| 12  | RED    | 18   | 37  | RED    | 18   | 62  | YELLOW | 18   |
| 13  | WHITE  | 18   | 38  | RED    | 18   | 63  | GREY   | 18   |
| 14  | RED    | 18   | 39  | RED    | 14   | 64  | YELLOW | 14   |
| 15  | WHITE  | 18   | 40  | RED    | 14   | 65  | BLACK  | 18   |
| 16  | RED    | 14   | 41  | RED    | 18   |     |        |      |
| 17  | WHITE  | 18   | 42  | RED    | 18   |     |        |      |
| 18  | RED    | 18   | 43  | RED    | 18   |     |        |      |
| 19  | WHITE  | 18   | 44  | PURPLE | 18   |     |        |      |
| 20  | YELLOW | 18   | 45  | BLACK  | 18   |     |        |      |
| 21  | BROWN  | 18   | 46  | BLACK  | 14   |     |        |      |
| 22  | BROWN  | 18   | 47  | BLACK  | 18   |     |        |      |
| 23  | BLUE   | 18   | 48  | BLACK  | 18   |     |        |      |
| 24  | GREY   | 18   | 49  | BLACK  | 18   |     |        |      |
| 25  | YELLOW | 18   | 50  | BLACK  | 18   |     |        |      |

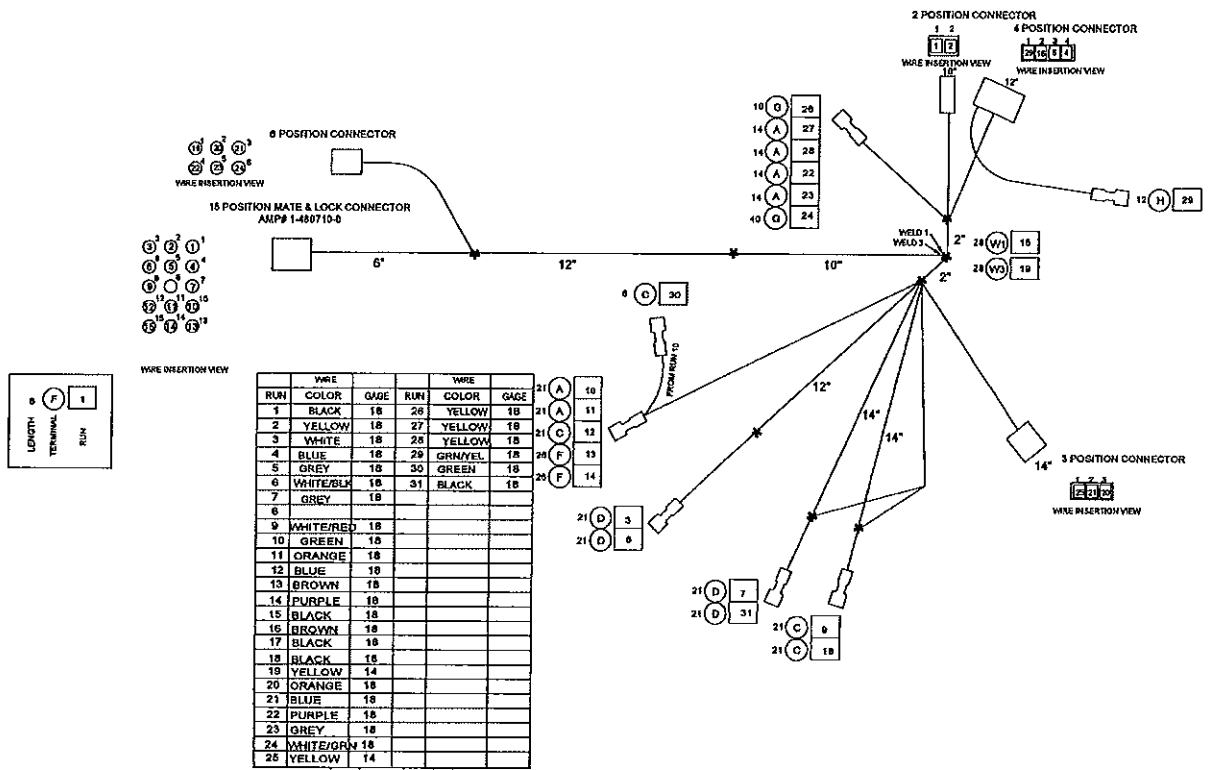
WELD 1 = LOCATION OF SPLICE, CONNECTING RUNS 1, 3, & 21 TO RUNS 45, 46, 47, 48, 49 & 50  
 WELD 2 = LOCATION OF SPLICE, CONNECTING RUNS 10, 12, & 14 TO RUNS 18 & 19  
 WELD 3 = LOCATION OF SPLICE, CONNECTING RUNS 11, 13, & 15 TO RUNS 17 & 19  
 WELD 4 = LOCATION OF SPLICE, CONNECTING RUNS 25, 26, 30, & 34 TO RUN 84  
 WELD 5 = LOCATION OF SPLICE, CONNECTING RUNS 35 & 54 TO RUN 59  
 WELD 6 = LOCATION OF SPLICE, CONNECTING RUNS 37, 38, & 39 TO RUN 40  
 WELD 7 = LOCATION OF SPLICE, CONNECTING RUNS 41, 42, & 43 TO RUN 38  
 WELD 8 = LOCATION OF SPLICE, CONNECTING RUNS 51 & 52 TO RUN 53

| CODE | TYPE          | SIZE  | INSULATED | MATERIAL | COLOR  |
|------|---------------|-------|-----------|----------|--------|
| A    | STRAIGHT      | 0.25  | YES       | STEEL    | RED    |
| B    | STRAIGHT      | 0.25  | YES       | STEEL    | BLUE   |
| C    | STRAIGHT      | 0.187 | YES       | STEEL    | RED    |
| D    | FLAG          | 0.25  | YES       | STEEL    | RED    |
| F    | FLAG          | 0.187 | YES       | STEEL    | RED    |
| G    | FLAG          | 0.25  | YES       | STEEL    | BLUE   |
| H    | FLAG          | 0.25  | YES       | STEEL    | YELLOW |
| I    | STRAIGHT      | 0.25  | NO        | STEEL    | RED    |
| J    | RING          | 0.25  | NO        | STEEL    | RED    |
| K    | PIGGYBACK     | 0.187 | NO        | STEEL    | BLACK  |
| L    | STRAIGHT TAIL | 0.187 | YES       | STEEL    | RED    |
| M    | STRAIGHT TAIL | 0.250 | YES       | STEEL    | RED    |

| Ref # | Part Number | Qty. | Description           |
|-------|-------------|------|-----------------------|
| 1     | PE070742    |      | UPPER CONTROL HARNESS |



| Ref # | Part Number | Qty. | Description           |
|-------|-------------|------|-----------------------|
| NI    | PE070736    |      | LOWER CONTROL HARNESS |





| Ref # | Part Number | Qty. | Description         |
|-------|-------------|------|---------------------|
| NI    | PE070740    |      | LOWER LATCH HARNESS |