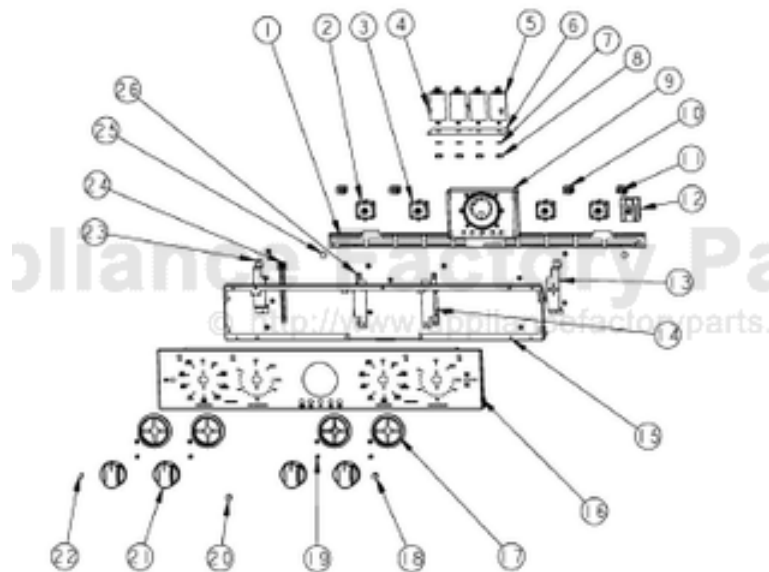


This Owner's Manual is provided and hosted by [Appliance Factory Parts](#).



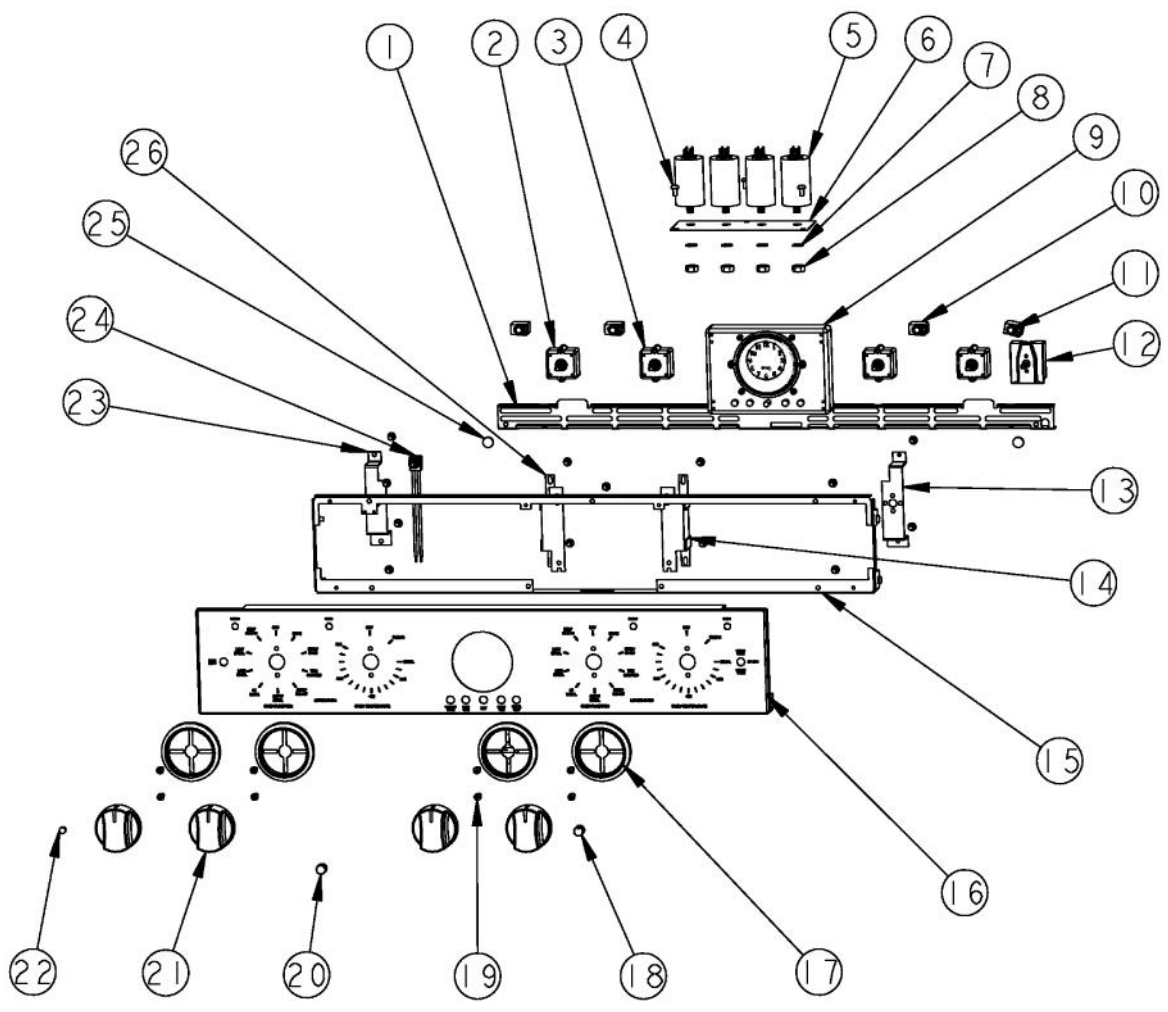
VIKING VEDO5301_1 Owner's Manual

[Shop genuine replacement parts for VIKING
VEDO5301_1](#)

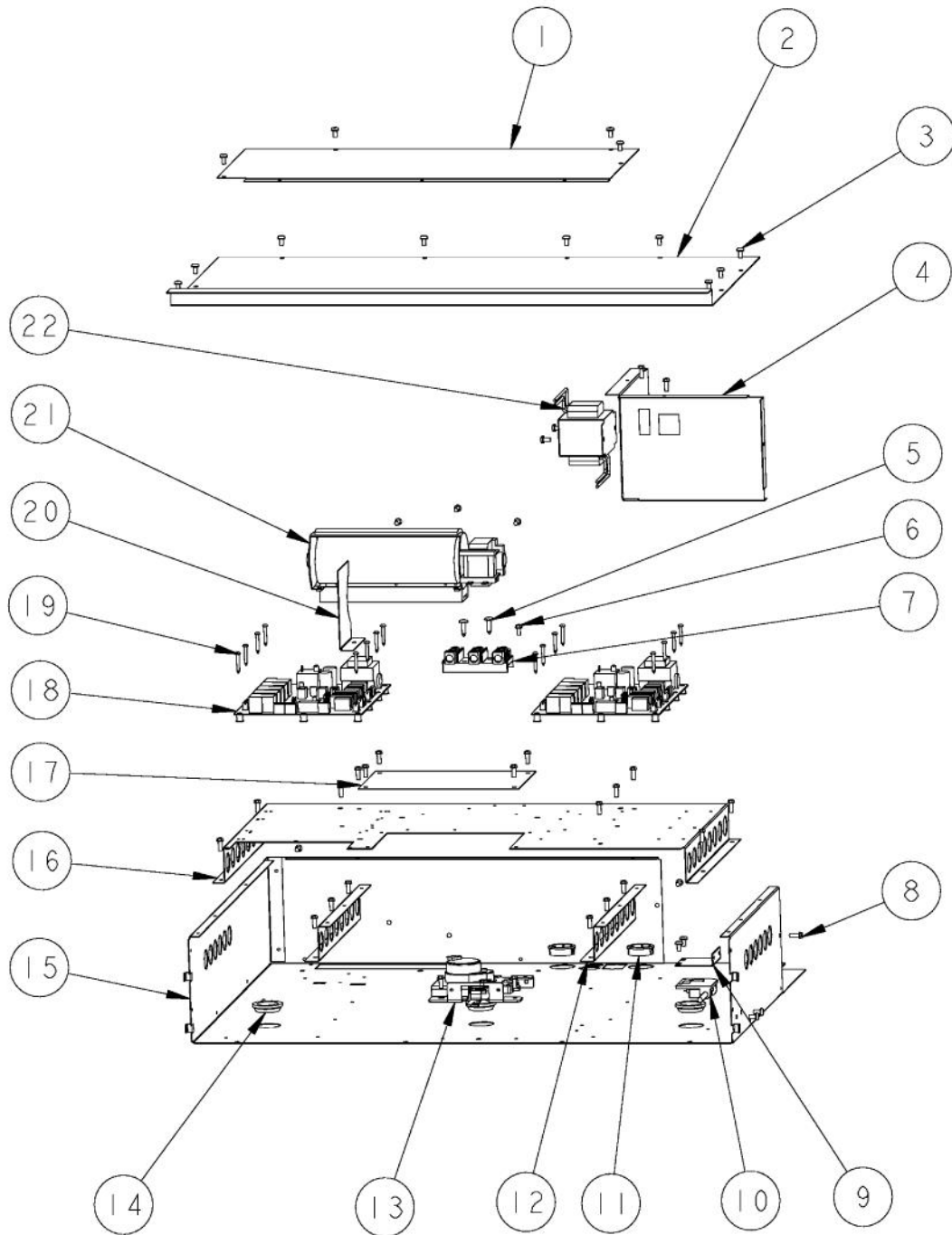


[Find Your VIKING Oven Parts - Select From 98 Models](#)

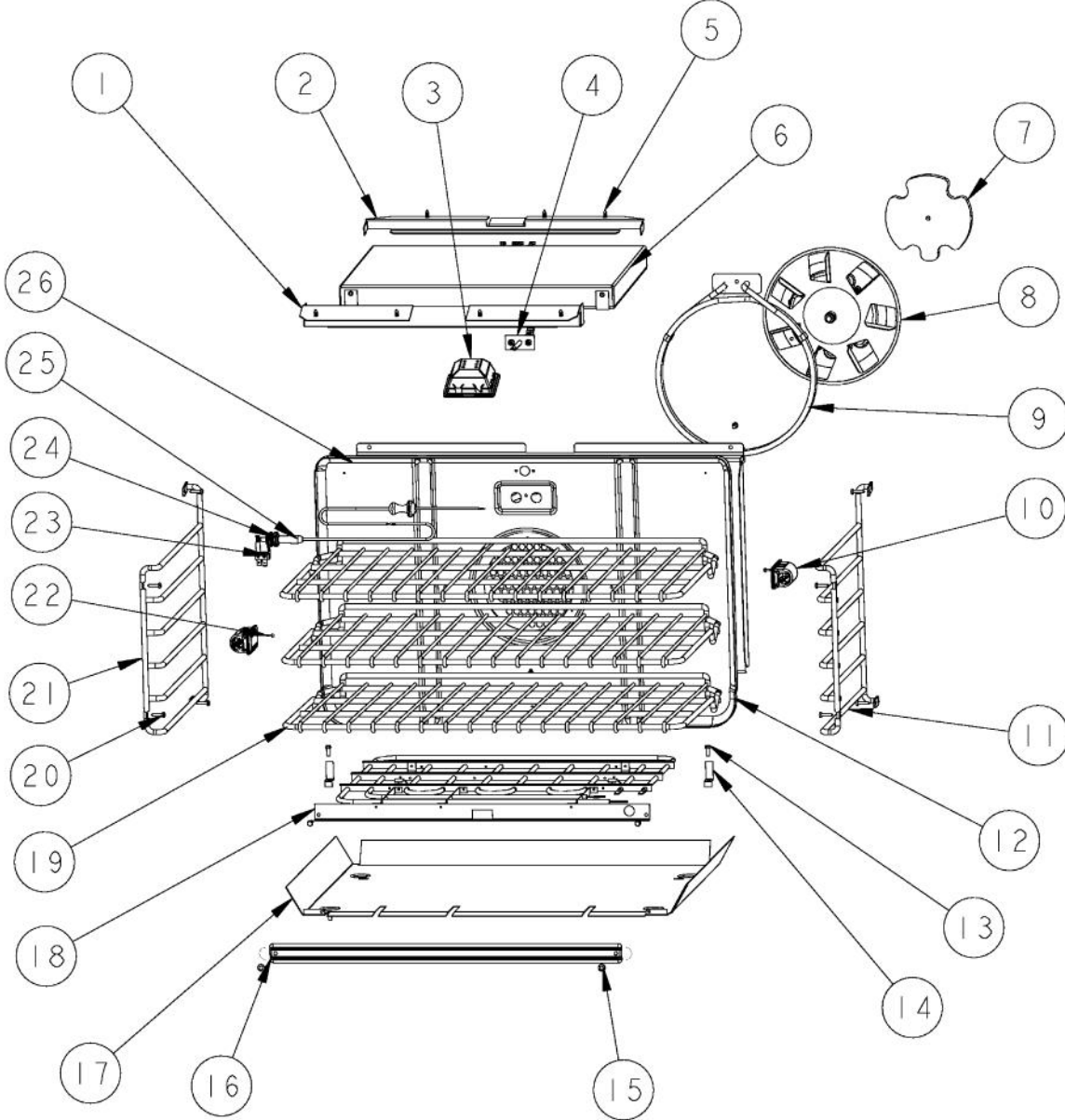
----- Manual continues below -----



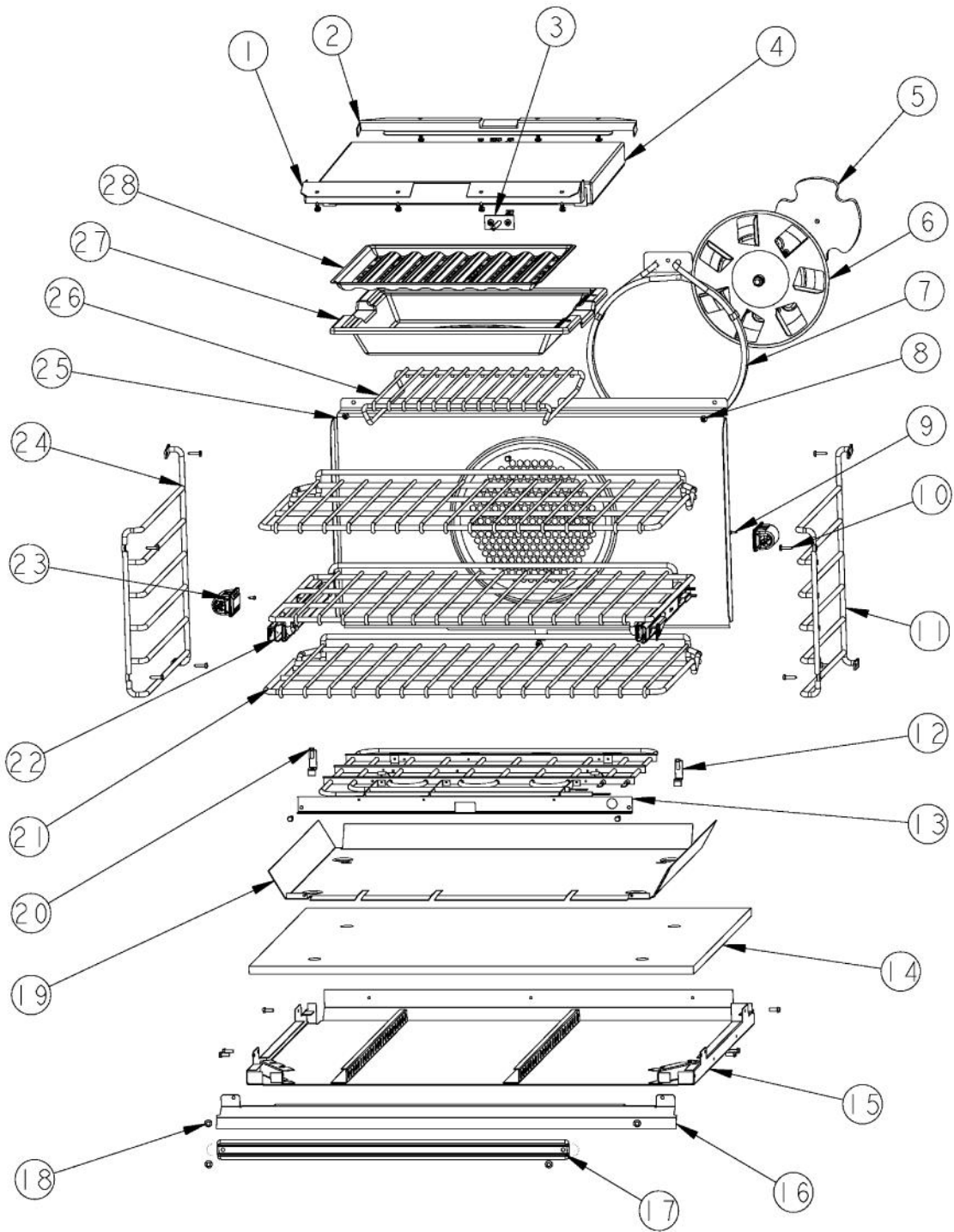
Ref #	Part Number	Qty.	Description
1	C90014072BK	1	30 INLET GRILL
	C90014072WH	1	30 INLET GRILLXWHX
2	PJ030033	2	SELECTOR (10 POS)
3	PJ030035	2	THERMOSTAT
4	PD020004	20	10X3/8PH.HD.TYPE 25 REPL PD040125
5	PE050247	4	EBM FAN MOTOR CAPACITOR
6	A10014027	1	4 CAPACITOR BRACKET
7	PD040164	4	5/16 INTERNAL TOOTH LOCK WASHER TYPE A
8	PD030172	4	M8 X 1.25MM NUT
9	PE050140	1	ANALOG CLOCK 220V 50/60H
10	PE050072	4	LENS OPENING (250 VOLT)
11	PE050023	4	OVEN IND. LIGHT (LENS & BEZEL)
12	PJ030036	1	3 POSITION SELECTOR SWITCH
13	007698-000	1	BRACKET, SWITCH SELECTOR
14	007674-000	1	BRACKET, CLOCK RIGHT
15	009590-000	1	MOUNT, PNL
16	007647-000	1	30 DOUBLE PRO PREMIERE CONTROL PANEL
	007662-000	1	30 DOUBLE CONTROL PANEL - BK
17	PB010304	4	KNOB BEZEL
18	PA010192	1	DES. MANUAL TIME KNOB
19	PD020261	8	NO.8-32X1/2 PH PANHEAD MACH. SCREW
20	PB010313	1	DESIGNER BIT GENERATOR KNOB
	PB010313PVD	1	DESIGNER BIT GENERATOR KNOB-BRASS
21	PB010305	4	PROF. SELECTOR/THERMOSTAT KNOB
22	PA010093	1	DESIGNER OVEN LT SWITCH KNOB
23	009589-000	1	BRACKET, LT
24	PE050076	1	DESIGNER OVEN LIGHT SWITCH
25	PD040004	2	GROMMET BUMPER
26	007671-000	1	BRACKET, CLOCK LEFT



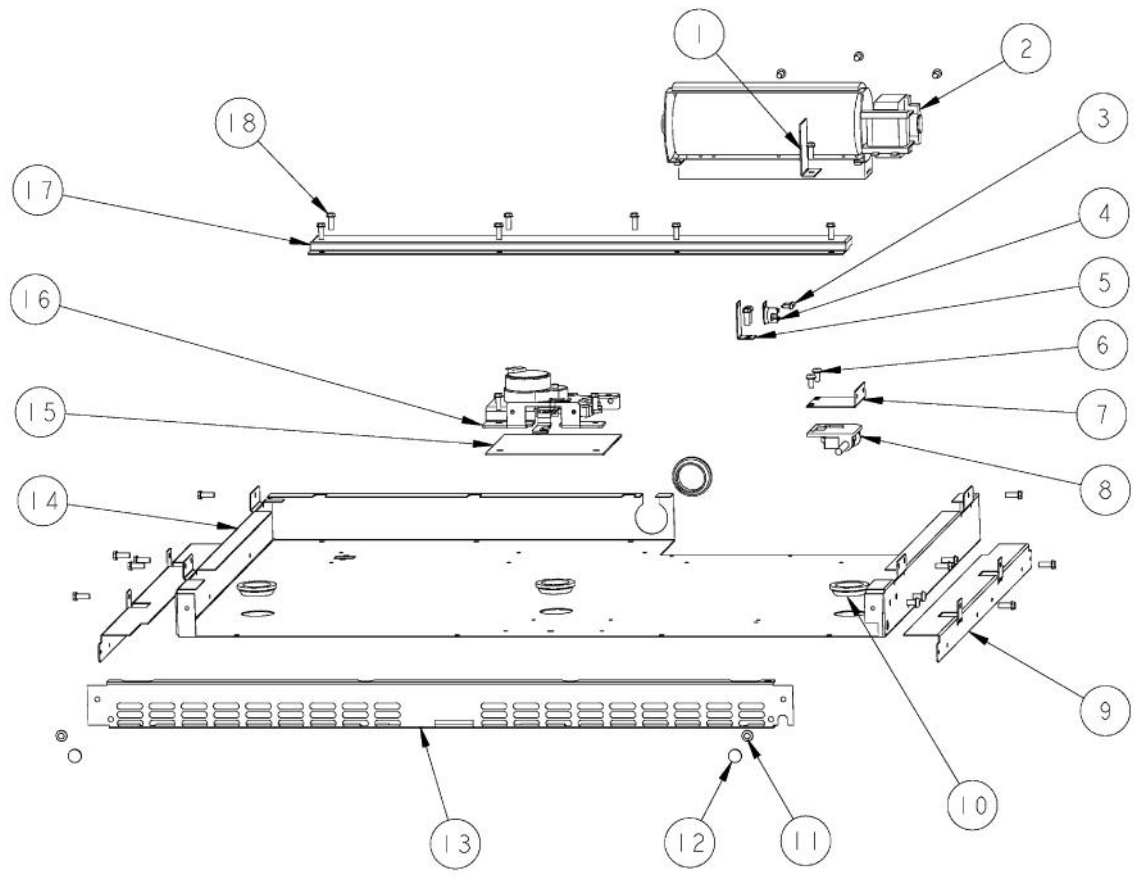
Ref #	Part Number	Qty.	Description
1	A20014049	1	30 REAR COVER
2	A20014048	1	30 FRONT COVER
3	PD020004	19	10X3/8PH.HD.TYPE 25 REPL PD040125
4	A20010934	1	BRACKET, MODULE PAN
5	PD020014	2	10X3/4 PH TR HD SMS
6	PD020010	1	10 X 3/8 GREEN GROUNDING SCREW
7	PE070147	1	TERMINAL BLOCK
8	PD020060	30	10 X 1/2 (5/16)HEX WSHR HD.(T)A
9	A20012649	1	DOOR SWITCH BRACKET
10	PE050208	1	DOOR SWITCH
11	PD040152	2	SNAP BUSHING
12	A20010910	2	BRACKET, SUPPORT, ELECTRONICS HAT
13	PE050210	2	DOOR LATCH BEFORE 1/21/09
13	013250-000	2	LATCH,DOOR,ASM,240V,GRIDDLE LOCKOUT USED BETWEEN 1/21/09 - 10/31/2013
13	039293-000	2	LATCH, ELEC, 240V, ASSY AFTER 10/31/13
14	PB070079	3	SILICONE EXTRUSION (DGSU)
15	NOT REPLACEABLE	N/A	OVEN CAVITY (NOT REPLACEABLE PART)
16	A2009672	1	ELECTRONICS HAT
17	A10010911	1	COVER, LATCH
18	PE070631	2	CONTROL BOARD
19	PD020185	16	NO.6 X 1 PAN HEAD SCREW
20	A2009667	1	REAR AIR DIVIDER
21	PE050250	1	PREMIUM BLOWER WITH HES BEFORE 2/4/2013
21	018607-000	1	FAN,BLO, 220-240V 50/60HZ ASSY AFTER 2/4/2013
22	PE070634	1	HALOGEN LIGHT TRANSFORMER



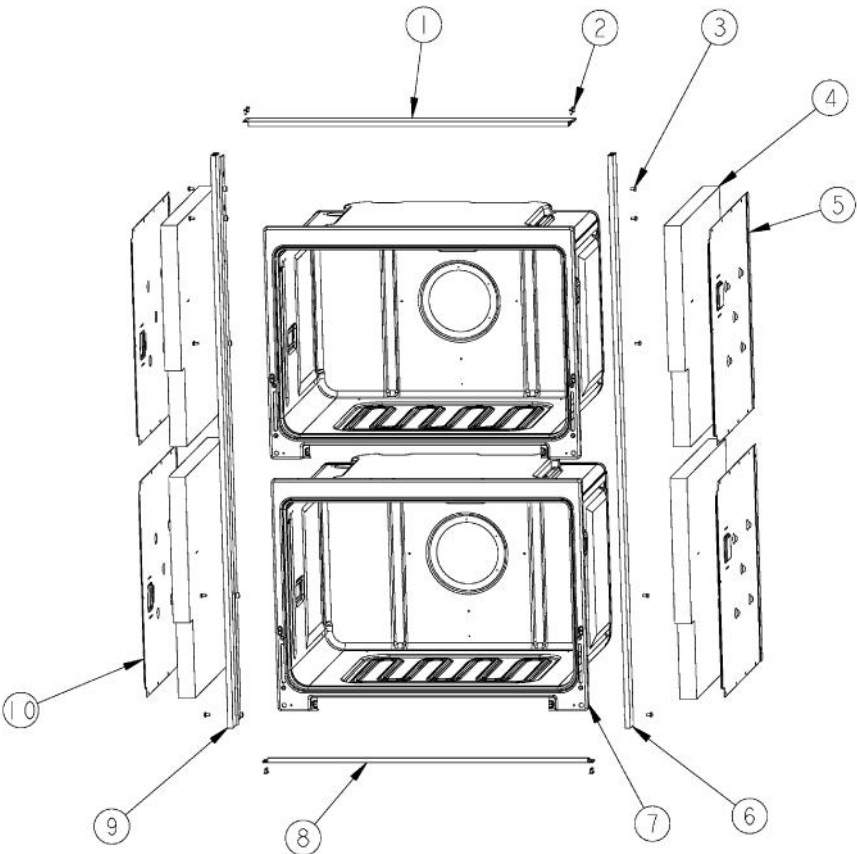
Ref #	Part Number	Qty.	Description
1	B20014050	1	PREMIERE BROIL ELEMENT BRACKET FRONT
2	B20014051	1	PREMIERE BROIL ELEMENT BRACKET REAR
3	PE050239	1	HALOGEN LAMP
4	PE050206	1	RTD THERMOSTAT PROBE
5	PD020055	12	NO.10 X 1/2 PAN PHIL. TEK. SS
6	PJ010050	1	SEALED BROIL ELEMENT W/GLASS
7	PB070312	1	CONVECTION MOTOR MTG. PLATE INSULATION
8	G32014020	1	CONVECTION FAN ASSY
9	PJ010047	1	CONVECTION ELEMENT
10	PE050238	2	120 VOLT SIDE HALOGEN LIGHT
11	PB060103	1	RACK SUPPORT RH
12	NOT REPLACEABLE	N/A	OVEN CAVITY (NOT REPLACEABLE PART)
13	PD020060	7	10 X 1/2 (5/16)HEX WSHR HD.(T)A
14	A2009696	2	HOLDER, BAKE ELEMENT
15	PD020063	2	SCREW-NO.8(A) X 3/8PH WFR HD/BK OXID
16	E2109655	1	COVER, BAKE TRAY
17	A2009612	1	ELEMENT, MTG TRAY
18	PJ010048	1	BAKE ELEMENT
19	PB060107	3	30 OVEN RACK
20	PD020232	8	NO.8 X 3/4 PH PAN HEAD TEK SCREW (BLACK OXIDE)
21	PB060104	1	RACK SUPPORT LH
22	PD020013	2	TYPE AB NO.6 X 3/8 PH PAN HD. SMS
23	PE050115	1	MEAT PROBE JACK
24	PM010160	1	MEAT PROBE JACK COVER
25	PE050114	1	MEAT PROBE (DESO/DEDO) (SWITCHCRAFT'S PART NO. 4...
26	G91013598	1	30 BAFFLE ASSEMBLY



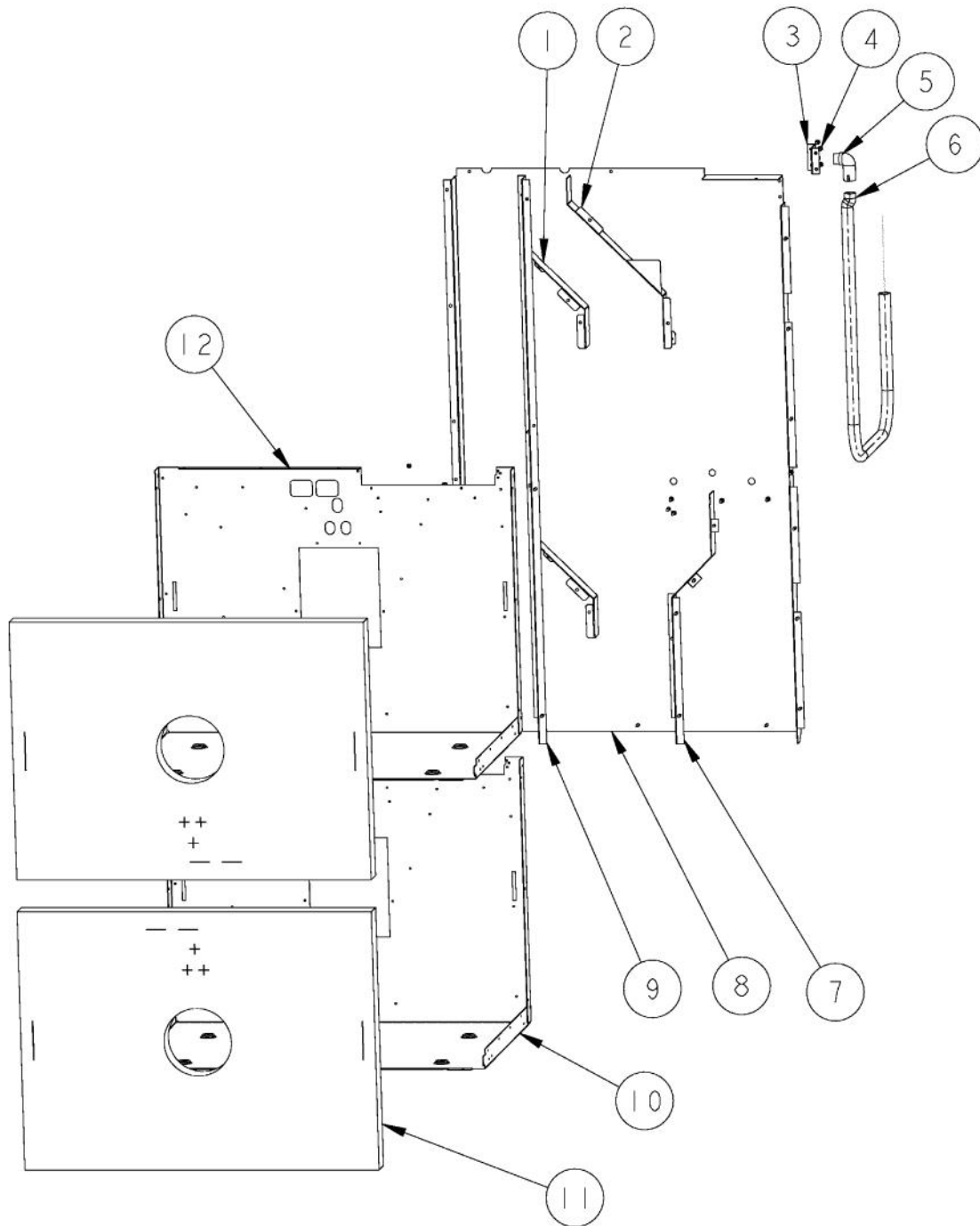
Ref #	Part Number	Qty.	Description
1	B20014050	1	PREMIERE BROIL ELEMENT BRACKET FRONT
2	B20014051	1	PREMIERE BROIL ELEMENT BRACKET REAR
3	PE050206	1	RTD THERMOSTAT PROBE
4	PJ010050	1	SEALED BROIL ELEMENT W/GLASS
5	PB070312	1	CONVECTION MOTOR MTG. PLATE INSULATION
6	G32014020	1	CONVECTION FAN ASSY
7	PJ010047	1	CONVECTION ELEMENT
8	PD020055	13	NO.10 X 1/2 PAN PHIL. TEK. SS
9	PD020013	2	TYPE AB NO.6 X 3/8 PH PAN HD. SMS
10	PD020232	8	NO.8 X 3/4 PH PAN HEAD TEK SCREW (BLACK OXIDE)
11	PB060103	1	RACK SUPPORT RH
12	A2009696	2	HOLDER, BAKE ELEMENT
13	PJ010048	1	BAKE ELEMENT
14	PB070303	1	30 BOTTOM INSULATION
15	G3009694	1	BASE MODULE ASSY 30
16	003228-002	1	AIR DIVERter, 30, BK
17	E2109655	1	COVER, BAKE TRAY
18	PD020063	4	SCREW-NO.8(A) X 3/8PH WFR HD/BK OXID
19	A2009612	1	ELEMENT, MTG TRAY
20	PD020060	14	10 X 1/2 (5/16)HEX WSHER HD.(T)A
21	PB060107	3	30 OVEN RACK
22	PB060108	1	SLIDING RACK
23	PE050238	2	120 VOLT SIDE HALOGEN LIGHT
24	PB060104	1	RACK SUPPORT LH
25	G91013598	1	30 BAFFLE ASSEMBLY
26	PB080020	1	BROILER PAN RACK
27	E9107933	1	BROILER PAN
28	E9107934	1	BROILER PAN INSERT



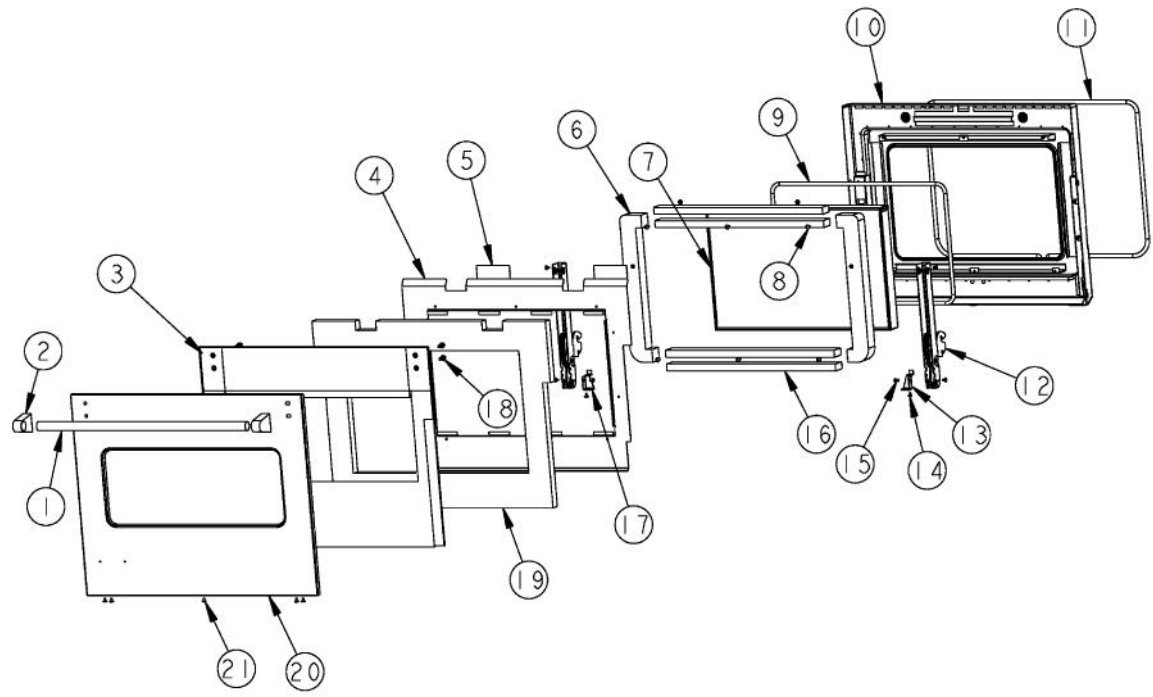
Ref #	Part Number	Qty.	Description
1	A20014036	1	BOTTOM BLOWER DIVIDER
2	PE050228	1	PREMIUM BLOWER
3	PD020013	2	TYPE AB NO.6 X 3/8 PH PAN HD. SMS
4	PJ030039	1	BI-METAL THERMOSTAT 275 DEGREES
5	A20014089	1	DISC BRACKET
6	PD020004	4	10X3/8PH.HD.TYPE 25 REPL PD040125
7	A20012649	1	DOOR SWITCH BRACKET
8	PE050208	1	DOOR SWITCH
9	A2009641	2	BRKT, TOP WRAPPER
10	PB070079	4	SILICONE EXTRUSION (DGSU)
11	PD020063	2	SCREW-NO.8(A) X 3/8PH WFR HD/BK OXID
12	PD040004	2	GROMMET BUMPER
13	C9009680BK	1	INLET GRILL DBL LOWER OVEN 30
14	NOT REPLACEABLE	N/A	OVEN CAVITY (NOT REPLACEABLE PART)
15	PB070321	1	LOWER LATCH INSULATION
16	PE050210	1	DOOR LATCH
17	A2009682	1	CATALYST EXHAUST, MIDDLE MODULE
18	PD020060	25	10 X 1/2 (5/16)HEX WSHER HD.(T)A



Ref #	Part Number	Qty.	Description
1	PE040273	1	30 PROF. TOP TRIM
2	PD020170	8	NO.6-32 X 1/2 PHILLIPS C.S. TYPE F SCREW
3	NOT REPLACEABLE	N/A	OVEN CAVITY (NOT REPLACEABLE PART)
4	PD020002	4	10 X 1/2 PH.TR.HD.SMS.
5	PD020014	6	10X3/4 PH TR HD SMS
7	PE040277	1	PROF. DOUBLE SIDE TRIM RH
8	NOT REPLACEABLE	N/A	OVEN CAVITY (NOT REPLACEABLE PART)
9	PE040274	1	30 PROF. BOTTOM TRIM
10	PE040278	1	PROF. DOUBLE SIDE TRIM LH
11	PB070302	4	SIDE INSULATION

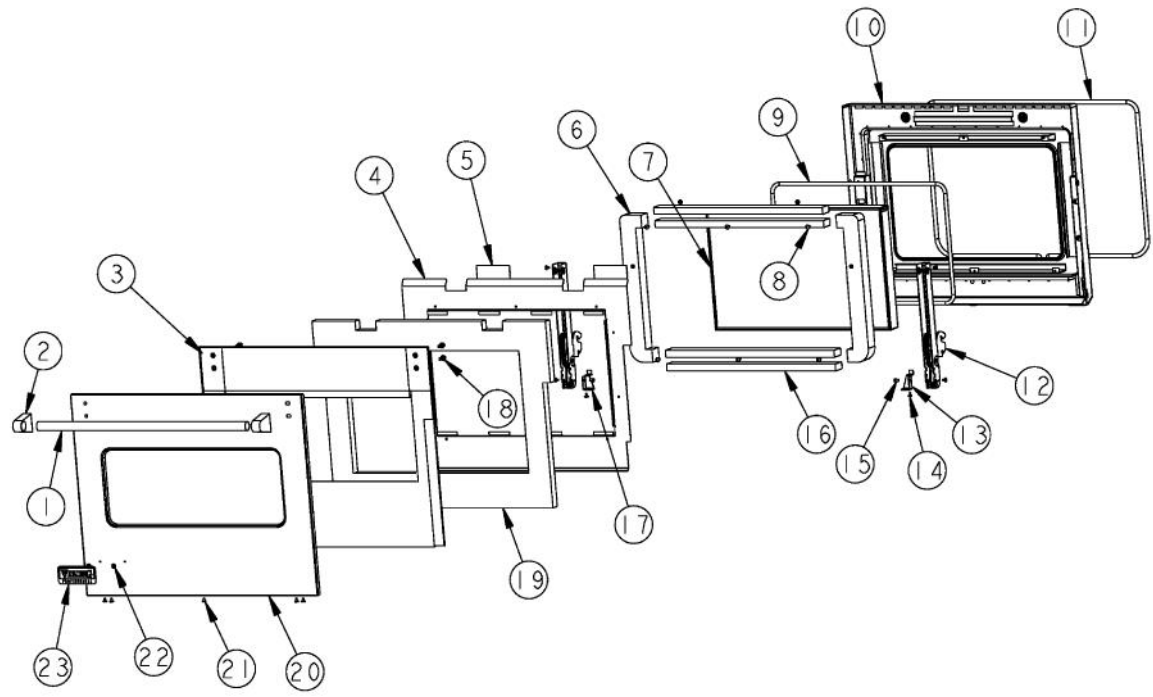


Ref #	Part Number	Qty.	Description
1	A21010919	1	BRACKET, AIR, CONVECTION MOTOR
2	A21010918	1	BRACKET, AIR, CONVECTION MOTOR
3	A2009671	1	BRACKET, POWER CABLE
4	PD020060	35	10 X 1/2 (5/16)HEX WSHR HD.(T)A
5	PB040070	1	CONDUIT FITTING (90 DEG)
6	PB020071	1	CONDUIT - FLEXIBLE (48)
7	A2009699	1	REAR AIR DIVIDER, DBL, LOWER OVEN
8	A2009683	1	PANEL, REAR
9	A2009684	1	REAR AIR DIVIDER, DOUBLE OVEN
10	NOT REPLACEABLE	N/A	OVEN CAVITY (NOT REPLACEABLE PART)
11	PB070304	1	30 BACK INSULATION
12	NOT REPLACEABLE	N/A	OVEN CAVITY (NOT REPLACEABLE PART)



Ref #	Part Number	Qty.	Description
1	PE030179	1	30 PROF. DOOR HANDLE
	PE030179PVD	1	30 PROF. DOOR HANDLE XPVDX 24.907
2	PE030001	2	BRACKET, DOOR, HANDLE
	PE030001PVD	2	END CAP DOOR HANDLE XBR
3	001499-000	1	PRO 30" INSULATION RETAINER KIT (AFTER 7-17-06)
4	A2009632	1	PANEL, INULATION, INNER DOOR
5	PB070336	2	DOOR BRACKET INSULATION
6	PB070271	2	DOOR PLUG INSULATION
7	PE060094	1	30 WINDOW PACK
8	PD020002	10	10 X 1/2 PH.TR.HD.SMS.
9	000594-000	1	BLACK FIBERGLASS ROPE 3/8
10	G9109625	1	DOOR LINER PORC.
11	PB070246	1	30 DOOR GASKET
12	PC020220	2	SUB TO 006070-000 - DOOR HINGE MANSFIELD 30
13	A20012640	1	HINGE SUPPORT RH
14	PD020063	2	SCREW-NO.8(A) X 3/8PH WFR HD/BK OXID
15	PD020004	2	10X3/8PH.HD.TYPE 25 REPL PD040125
16	PB070269	4	30 WINDOW PACK INSULATION
17	A20012641	1	HINGE SUPPORT LH
18	PD020186	4	1/4-20 X 3/4 HEX WASHER HEAD MS
19	PB020272	1	304SS 3/4 X .035 TUBING
20	PS500017AL	1	30 PRO DOOR SKIN SERVICE KIT W/O LOGO AFTER 07/17/0...
	PS500017ALBR	1	30 PRO DOOR SKIN SERVICE KIT W/O LOGO AFTER 07/17/0...
	PS500017BK	1	30 PRO DOOR SKIN SERVICE KIT W/O LOGO AFTER 07/17/0...
	PS500017BKBR	1	30 PRO DOOR SKIN SERVICE KIT W/O LOGO AFTER 07/17/0...
	PS500017BT	1	30 PRO DOOR SKIN SERVICE KIT W/O LOGO AFTER 07/17/0...
	PS500017BTBR	1	30 PRO DOOR SKIN SERVICE KIT W/O LOGO AFTER 07/17/0...
	PS500017BU	1	30 PRO DOOR SKIN SERVICE KIT W/O LOGO AFTER 07/17/0...
	PS500017BUBR	1	30 PRO DOOR SKIN SERVICE KIT W/O LOGO AFTER 07/17/0...
	PS500017CB	1	30 PRO DOOR SKIN SERVICE KIT W/O LOGO AFTER 07/17/0...
	PS500017CBBR	1	30 PRO DOOR SKIN SERVICE KIT W/O LOGO AFTER 07/17/0...
	PS500017CW	1	30 PRO DOOR SKIN SVC KIT W/O LOGO AFTER 7/706 - CW
	PS500017CWBR	1	30 PRO DOOR SKIN SERVICE KIT W/O LOGO - CW / BR
	PS500017EP	1	30 PRO DOOR SKIN SERVICE KIT W/O LOGO AFTER 07/17/0...
	PS500017EPBR	1	30 PRO DOOR SKIN SERVICE KIT W/O LOGO AFTER 07/17/0...
	PS500017FG	1	30 PRO DOOR SKIN SERVICE KIT W/O LOGO AFTER 07/17/0...
	PS500017FGBR	1	30 PRO DOOR SKIN SERVICE KIT W/O LOGO AFTER 07/17/0...
	PS500017GG	1	30 PRO DOOR SKIN SERVICE KIT W/O LOGO AFTER 07/17/0...
	PS500017GGBR	1	30 PRO DOOR SKIN SERVICE KIT W/O LOGO AFTER 07/17/0...
	PS500017LE	1	30 PRO DOOR SKIN SERVICE KIT W/O LOGO AFTER 07/17/0...
	PS500017LEBR	1	30 PRO DOOR SKIN SERVICE KIT W/O LOGO AFTER 07/17/0...
	PS500017MJ	1	30 PRO DOOR SKIN SERVICE KIT W/O LOGO AFTER 07/17/0...
	PS500017MJBR	1	30 PRO DOOR SKIN SERVICE KIT W/O LOGO AFTER 07/17/0...
	PS500017SG	1	30 PRO DOOR SKIN SERVICE KIT W/O LOGO AFTER 07/17/0...
	PS500017SGBR	1	30 PRO DOOR SKIN SERVICE KIT W/O LOGO - SG/BR
	PS500017SS	1	30 PRO DOOR SKIN SERVICE KIT W/O LOGO AFTER 07/17/0...
	PS500017SSBR	1	30 PRO DOOR SKIN SERVICE KIT W/O LOGO AFTER 07/17/0...
	PS500017VB	1	30 PRO DOOR SKIN SERVICE KIT W/O LOGO AFTER 07/17/0...
	PS500017VBBR	1	30 PRO DOOR SKIN SERVICE KIT W/O LOGO AFTER 07/17/0...
	PS500017WH	1	30 PRO DOOR SKIN SERVICE KIT W/O LOGO AFTER 07/17/0...
	PS500017WHBR	1	30 PRO DOOR SKIN SERVICE KIT W/O LOGO AFTER 07/17/0...
21	PD020032	5	SRW-8(A)X3/8PH.WFR HD 7/16DIAXNICL
NI	G32012724AL	1	30 DOOR ASSY W/O LOGO XALX
	G32012724ALBR	1	30 DOOR ASSY W/O LOGO XALBRX
	G32012724BK	1	30 DOOR ASSY W/O LOGO XBKX
	G32012724BKBR	1	30 DOOR ASSY W/O LOGO XBKBRX
	G32012724BT	1	30 DOOR ASSY W/O LOGO XBTX
	G32012724BTBR	1	30 DOOR ASSY W/O LOGO XBTBRX
	G32012724BU	1	30 DOOR ASSY W/O LOGO XBUX
	G32012724BUBR	1	30 DOOR ASSY W/O LOGO XBUBRX

Ref #	Part Number	Qty.	Description
	G32012724BUBR	1	30 DOOR ASSY W/O LOGO XBUBRX
	G32012724CB	1	30 DOOR ASSY W/O LOGO XCBX
	G32012724CBBR	1	30 DOOR ASSY W/O LOGO XCBBRX
	G32012724EP	1	30 DOOR ASSY W/O LOGO XEPX
	G32012724EPBR	1	30 DOOR ASSY W/O LOGO XEPBRX
	G32012724FG	1	30 DOOR ASSY W/O LOGO XFGX
	G32012724FGBR	1	30 DOOR ASSY W/O LOGO XFGBRX
	G32012724GG	1	30 DOOR ASSY W/O LOGO XGGX
	G32012724GGBR	1	30 DOOR ASSY W/O LOGO XGGBRX
	G32012724LE	1	30 DOOR ASSY W/O LOGO XLEX
	G32012724LEBR	1	30 DOOR ASSY W/O LOGO XLEBRX
	G32012724MJ	1	30 DOOR ASSY W/O LOGO XMJX
	G32012724MJBR	1	30 DOOR ASSY W/O LOGO XMJBRX
	G32012724SG	1	30 DOOR ASSY W/O LOGO XSGX
	G32012724SGBR	1	30 DOOR ASSY W/O LOGO XSGBRX
	G32012724SS	1	30 DOOR ASSY W/O LOGO
	G32012724SSBR	1	30 DOOR ASSY W/O LOGO XSSBRX
	G32012724VB	1	30 DOOR ASSY W/O LOGO XVBX
	G32012724VBBR	1	30 DOOR ASSY W/O LOGO XVBBRX
	G32012724WH	1	30 DOOR ASSY W/O LOGO XWHX
	G32012724WHBR	1	30 DOOR ASSY W/O LOGO XWHBRX



Ref #	Part Number	Qty.	Description
1	PE030179	1	30 PROF. DOOR HANDLE
	PE030179PVD	1	30 PROF. DOOR HANDLE XPVDX 24.907
2	PE030001	2	BRACKET, DOOR, HANDLE
	PE030001PVD	2	END CAP DOOR HANDLE XBR
3	001499-000	1	PRO 30" INSULATION RETAINER KIT (AFTER 7-17-06)
4	A2009632	1	PANEL, INULATION, INNER DOOR
5	PB070336	2	DOOR BRACKET INSULATION
6	PB070271	2	DOOR PLUG INSULATION
7	PE060094	1	30 WINDOW PACK
8	PD020002	10	10 X 1/2 PH.TR.HD.SMS.
9	000594-000	1	BLACK FIBERGLASS ROPE 3/8
10	G9109625	1	DOOR LINER PORC.
11	PB070246	1	30 DOOR GASKET
12	PC020220	2	SUB TO 006070-000 - DOOR HINGE MANSFIELD 30
13	A20012640	1	HINGE SUPPORT RH
14	PD020063	2	SCREW-NO.8(A) X 3/8PH WFR HD/BK OXID
15	PD020004	2	10X3/8PH.HD.TYPE 25 REPL PD040125
16	PB070269	4	30 WINDOW PACK INSULATION
17	A20012641	1	HINGE SUPPORT LH
18	PD020186	4	1/4-20 X 3/4 HEX WASHER HEAD MS
19	PB020272	1	304SS 3/4 X .035 TUBING
20	PS500015AL	1	30 PRO DOOR SKIN SVC KIT W/LOGO AFTER 07/17/06 - AL
	PS500015ALBR	1	30 PRO DOOR SKIN SVC KIT W/LOGO AFTER 07/17/06 - AL/B...
	PS500015BK	1	30 PRO DOOR SKIN SVC KIT W/LOGO AFTER 07/17/06 -BK
	PS500015BKBR	1	30 PRO DOOR SKIN SVC KIT W/LOGO AFTER 07/17/06 -BK/BR
	PS500015BT	1	30 PRO DOOR SKIN SVC KIT W/LOGO AFTER 07/17/06 - BT
	PS500015BTBR	1	30 PRO DOOR SKIN SVC KIT W/LOGO AFTER 07/17/06 -BTBR
	PS500015BU	1	30 PRO DOOR SKIN SVC KIT W/LOGO AFTER 07/17/06 -BU
	PS500015BUBR	1	30 PRO DOOR SKIN SVC KIT W/LOGO AFTER 07/17/06 - BU/...
	PS500015CB	1	30 PRO DOOR SKIN SVC KIT W/LOGO AFTER 07/17/06 - CB
	PS500015CBBR	1	30 PRO DOOR SKIN SVC KIT W/LOGO AFTER 07/17/06 - CB/...
	PS500015EP	1	30 PRO DOOR SKIN SVC KIT W/LOGO AFTER 07/17/06 - EP
	PS500015EPBR	1	30 PRO DOOR SKIN SVC KIT W/LOGO AFTER 07/17/06 - EP/B...
	PS500015FG	1	30 PRO DOOR SKIN SVC KIT W/LOGO AFTER 07/17/06 - FG
	PS500015FGBR	1	30 PRO DOOR SKIN SVC KIT W/LOGO AFTER 07/17/06 - FG/...
	PS500015GG	1	30 PRO DOOR SKIN SVC KIT W/LOGO AFTER 07/17/06 -GG
	PS500015GGBR	1	30 PRO DOOR SKIN SVC KIT W/LOGO AFTER 07/17/06 -GG/B...
	PS500015LE	1	30 PRO DOOR SKIN SVC KIT W/LOGO AFTER 07/17/06 - LE
	PS500015LEBR	1	30 PRO DOOR SKIN SVC KIT W/LOGO AFTER 07/17/06 - LE/B...
	PS500015MJ	1	30 PRO DOOR SKIN SVC KIT W/LOGO AFTER 07/17/06 - MJ
	PS500015MJBR	1	30 PRO DOOR SKIN SVC KIT W/LOGO AFTER 07/17/06 - MJ/B...
	PS500015SG	1	30 PRO DOOR SKIN SVC KIT W/LOGO AFTER 07/17/06 - SG
	PS500015SGBR	1	30 PRO DOOR SKIN SVC KIT W/LOGO AFTER 07/17/06 -SGBR
	PS500015SS	1	30 PRO DOOR SKIN SVC KIT W/LOGO AFTER 07/17/06 -SS
	PS500015SSBR	1	30 PRO DOOR SKIN SVC KIT W/LOGO AFTER 07/17/06 - SS/B...
	PS500015VB	1	30 PRO DOOR SKIN SVC KIT W/LOGO AFTER 07/17/06 - VB
	PS500015VBBR	1	30 PRO DOOR SKIN SVC KIT W/LOGO AFTER 07/17/06 -VBBR
	PS500015WH	1	30 PRO DOOR SKIN SVC KIT W/LOGO AFTER 07/17/06 - WH
	PS500015WHBR	1	30 PRO DOOR SKIN SVC KIT W/LOGO AFTER 07/17/06 - WH/...
	PS500015CW	1	30 PRO DOOR SKIN SVC KIT W/LOGO AFTER 7/17/06 - CW
21	PD020032	5	SRW-8(A)X3/8PH.WFR HD 7/16DIAXNCL
22	PD030006	5	CAPPED WASHER PAL NUT
23	PE010016	1	NAMEPLATE, LOGO, PRO
	PE010017	1	LOGO (VGSO,VEDO,VGDO,VUD) XWH/CHR
	PE010079	1	4.5 LOGO/VIKING PROF, BK/BR
	PE010080	1	4.5 LOGO/VIKING PROF XWH/BR
NI	G32012723AL	1	30 DOOR ASSY W/LOGO XALX
	G32012723ALBR	1	30 DOOR ASSY W/LOGO XALBRX
	G32012723BK	1	30 DOOR ASSY W/LOGO XBKX
	G32012723BKBR	1	30 DOOR ASSY W/LOGO XBKBRX

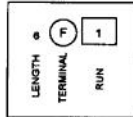
Ref #	Part Number	Qty.	Description
	G32012723BKBR	1	30 DOOR ASSY W/LOGO XBKBRX
	G32012723BT	1	30 DOOR ASSY W/LOGO XBTX
	G32012723BTBR	1	30 DOOR ASSY W/LOGO XBTBRX
	G32012723BU	1	30 DOOR ASSY W/LOGO XBUX
	G32012723BUBR	1	30 DOOR ASSY W/LOGO XBUBRX
	G32012723CB	1	30 DOOR ASSY W/LOGO XCBX
	G32012723CBBR	1	30 DOOR ASSY W/LOGO XCBBRX
	G32012723EP	1	30 DOOR ASSY W/LOGO XEPX
	G32012723EPBR	1	30 DOOR ASSY W/LOGO XEPBRX
	G32012723FG	1	30 DOOR ASSY W/LOGO XFGX
	G32012723FGBR	1	30 DOOR ASSY W/LOGO XFGBRX
	G32012723GG	1	30 DOOR ASSY W/LOGO XGGX
	G32012723GGBR	1	30 DOOR ASSY W/LOGO XGGBRX
	G32012723LE	1	30 DOOR ASSY W/LOGO XLEX
	G32012723LEBR	1	30 DOOR ASSY W/LOGO XLEBRX
	G32012723MJ	1	30 DOOR ASSY W/LOGO XMJX
	G32012723MJBR	1	30 DOOR ASSY W/LOGO XMJBRX
	G32012723SG	1	30 DOOR ASSY W/LOGO XSGX
	G32012723SGBR	1	30 DOOR ASSY W/LOGO XSGBRX
	G32012723SS	1	30 DOOR ASSY W/LOGO
	G32012723SSBR	1	30 DOOR ASSY W/LOGO XSSBRX
	G32012723VB	1	30 DOOR ASSY W/LOGO XVBX
	G32012723VBBR	1	30 DOOR ASSY W/LOGO XVBBRX
	G32012723WH	1	30 DOOR ASSY W/LOGO XWHX
	G32012723WHBR	1	30 DOOR ASSY W/LOGO XWHBRX

1

3 POSITION CONNECTOR



WIRE		
RUN	COLOR	GAGE
1	WHITE	18
2	BLACK	18
3	WHITE	18



* = WIRE TIE LOCATION

3 POSITION CONNECTOR

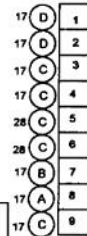


2

9 POSITION MATE & LOCK CONNECTOR



QTY.	KEY	TERMINAL DESCRIPTION			
1	A	.250 ULTRA FAST RECEPTACLE	B	C	.187 x .020 ULTRA FAST RECEPTACLE
		TEMPERATURE RATING - 125°C			TEMPERATURE RATING - 125°C
1	B	.250 STEEL RECEPTACLE	2	D	.250 STEEL FLAG RECEPTACLE
		OPERATING TEMP.: -55°C TO 175°C			OPERATING TEMP.: -55°C TO 175°C



WIRE		
RUN	COLOR	GAGE
1	BLACK	18
2	GREY	18
3	BLACK	18
4	WHITE	18
5	BROWN	18
6	PURPLE	18
7	GREEN	18
8	ORANGE	18
9	BLUE	18
10	GREEN	18

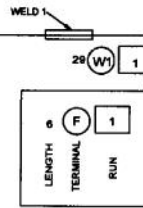
3

3 POSITION CONNECTOR



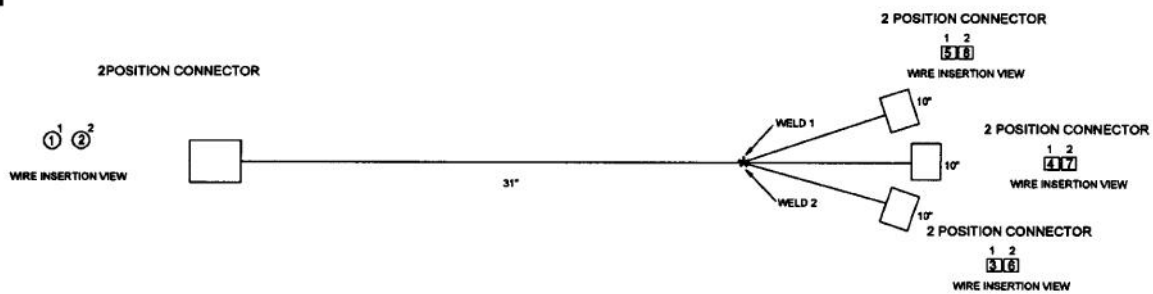
TERMINALS				
CODE	TYPE	SIZE	INSULATED	MATERIAL
A	STRAIGHT	0.25	YES	STEEL
B	STRAIGHT	0.25	KYNAR	STEEL
C	STRAIGHT	0.187	YES	STEEL
D	FLAG	0.25	YES	STEEL
F	FLAG	0.187	YES	STEEL
G	STRAIGHT	0.25	NO	STEEL
H	RING	0.25	NO	STEEL
W	WELD / SPLICE			

WIRE		
RUN	COLOR	GAGE
1	WHITE	14
2	WHITE	18
3	WHITE	18
4	WHITE	18
5	WHITE	18



Ref #	Part Number	Qty.	Description
1	PE070738	1	T/STAT-SEL HARNESS
	PE070733	1	UPPER LATCH HARNESS
	PE070739	1	BAKE ELEMENT HARNESS
NI	G4005496	1	SUPPLY WIRE - 100 BK 10GA SO/DO
NI	G4005497	1	SUPPLY WIRE - 100 GREEN 10GA SO/DO
NI	G4005499	1	SUPPLY WIRE - 100 RED 10GA SO/DO
NI	G4005494	1	SUPPLY WIRE - 75 WH 12 GA SO/DO

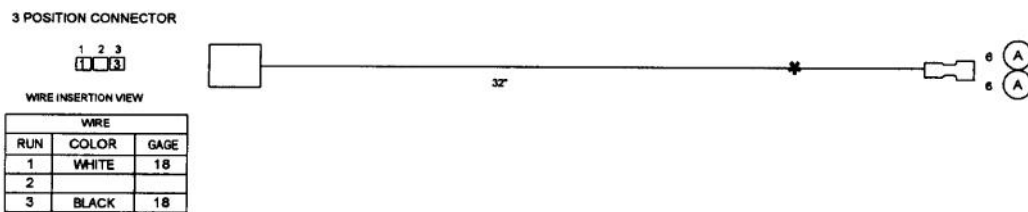
1



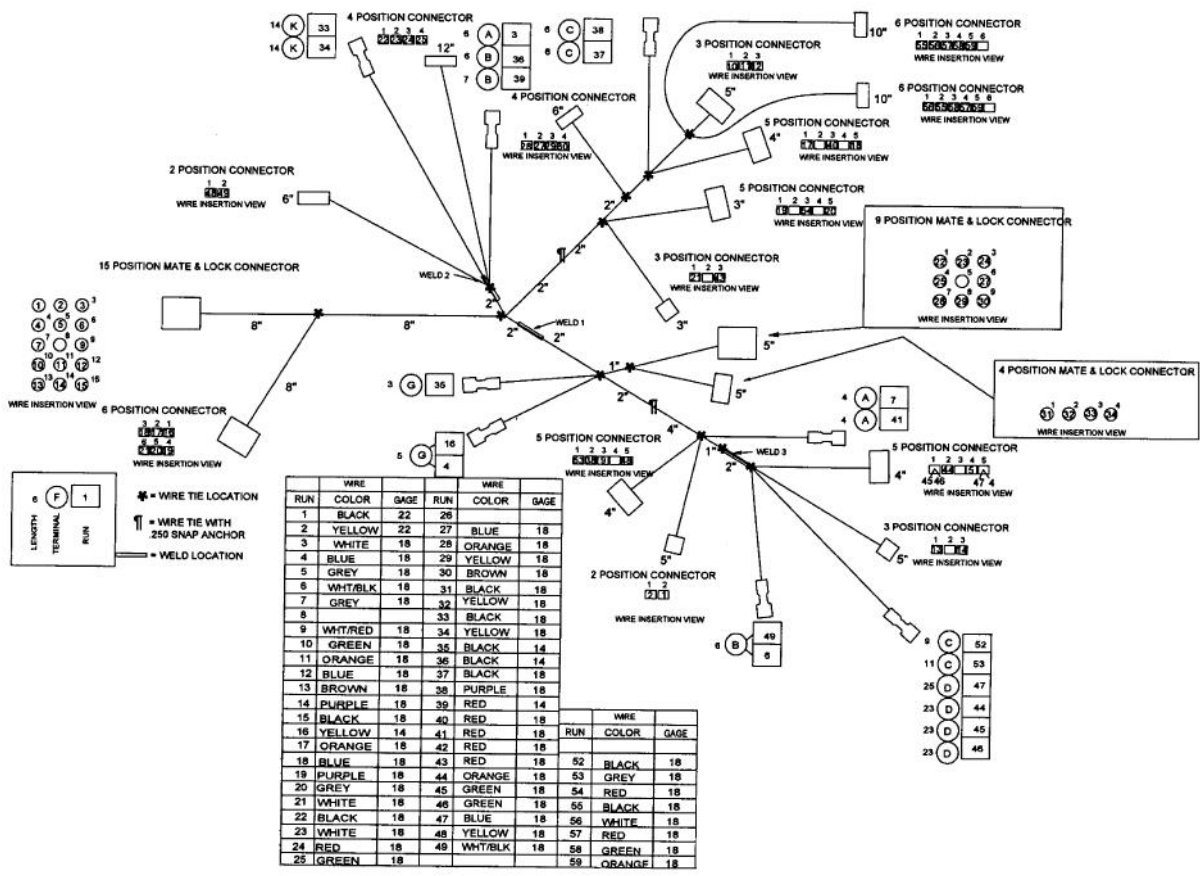
2



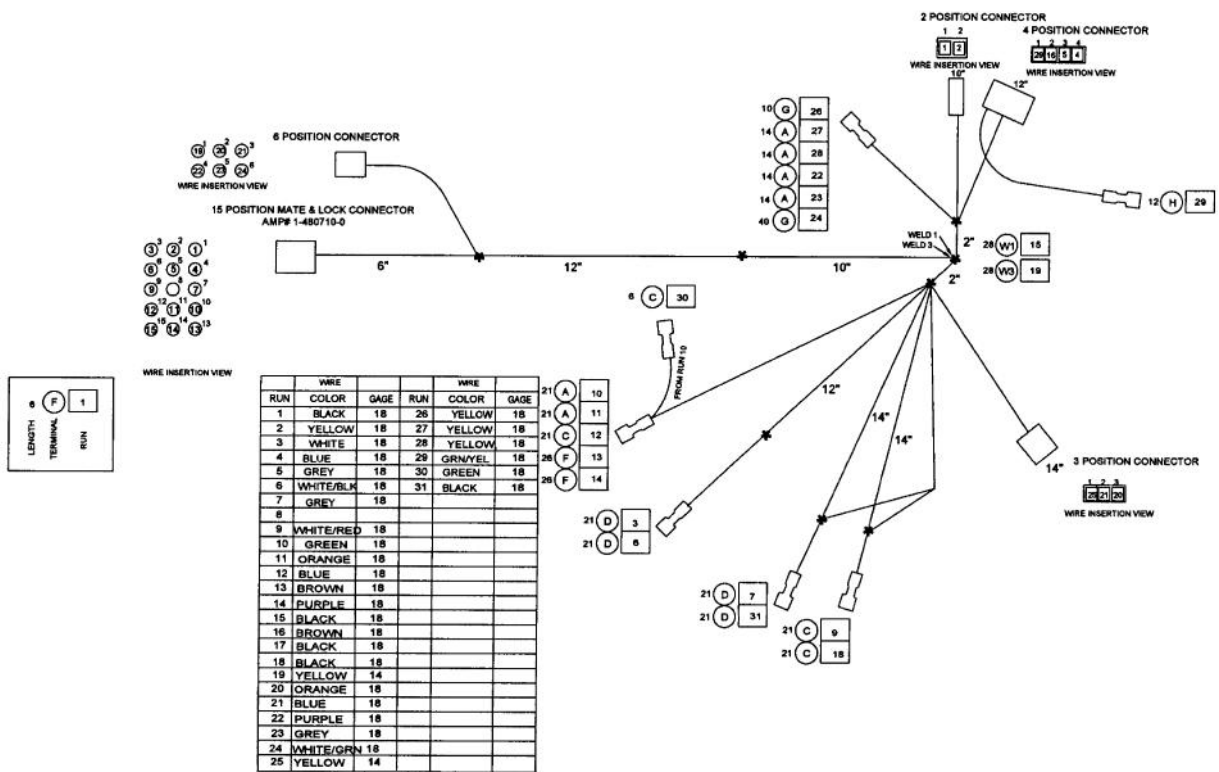
3



Ref #	Part Number	Qty.	Description
1	PE070741	1	LOWER LIGHT HARNESS
2	PE070744	1	DOUBLE CLOCK HARNESS
3	PE070735	1	MEAT PROBE HARNESS

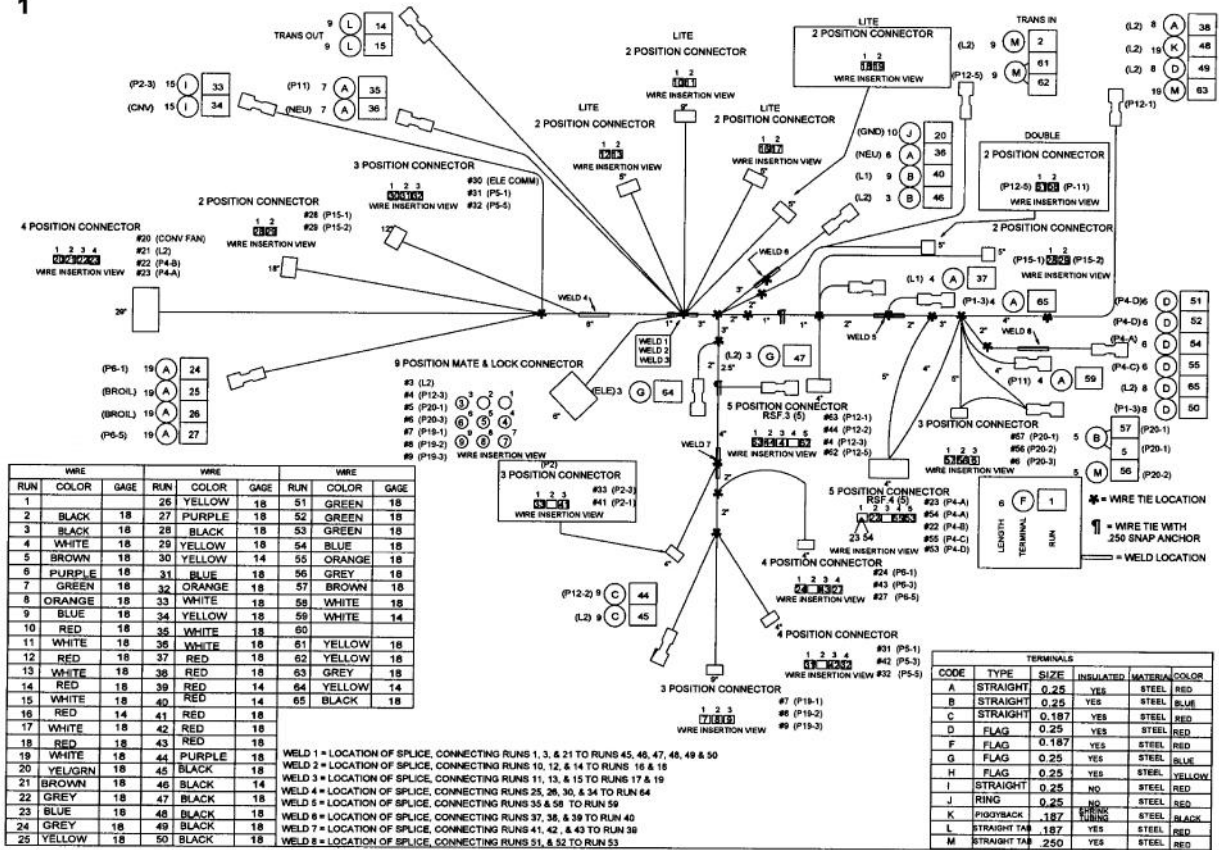


Ref #	Part Number	Qty.	Description
NI	PE070736	1	LOWER CONTROL HARNESS



Ref #	Part Number	Qty.	Description
NI	PE070740	1	LOWER LATCH HARNESS

1



WIRE	WIRE	WIRE	WIRE	WIRE	WIRE	WIRE	WIRE	
RUN	COLOR	GAGE	RUN	COLOR	GAGE	RUN	COLOR	GAGE
1			25	YELLOW	18	51	GREEN	18
2	BLACK	18	27	PURPLE	18	52	GREEN	18
3	BLACK	18	28	BLACK	18	53	GREEN	18
4	WHITE	18	29	YELLOW	18	54	BLUE	18
5	BROWN	18	30	YELLOW	14	55	ORANGE	18
6	PURPLE	18	31	BLUE	18	56	GREY	18
7	GREEN	18	32	ORANGE	18	57	BROWN	18
8	ORANGE	18	33	WHITE	18	58	WHITE	18
9	BLUE	18	34	YELLOW	18	59	WHITE	14
10	RED	18	35	WHITE	18	60		
11	WHITE	18	36	WHITE	18	61	YELLOW	18
12	RED	18	37	RED	18	62	YELLOW	18
13	WHITE	18	38	RED	18	63	GREY	18
14	RED	18	39	RED	14	64	YELLOW	14
15	WHITE	18	40	RED	14	65	BLACK	18
16	RED	14	41	RED	18			
17	WHITE	18	42	RED	18			
18	RED	18	43	RED	18			
19	WHITE	18	44	PURPLE	18			
20	YELLOW	18	45	BLACK	18			
21	BROWN	18	46	BLACK	14			
22	GREY	18	47	BLACK	18			
23	BLUE	18	48	BLACK	18			
24	GREY	18	49	BLACK	18			
25	YELLOW	18	50	BLACK	18			

WELD 1 = LOCATION OF SPLICE, CONNECTING RUNS 1, 3, & 21 TO RUNS 45, 46, 47, 48, 49 & 50
 WELD 2 = LOCATION OF SPLICE, CONNECTING RUNS 10, 13, & 14 TO RUNS 16 & 18
 WELD 3 = LOCATION OF SPLICE, CONNECTING RUNS 11, 13, & 15 TO RUNS 17 & 19
 WELD 4 = LOCATION OF SPLICE, CONNECTING RUNS 25, 26, 30, & 34 TO RUN 64
 WELD 5 = LOCATION OF SPLICE, CONNECTING RUNS 35 & 58 TO RUN 59
 WELD 6 = LOCATION OF SPLICE, CONNECTING RUNS 37, 38, & 39 TO RUN 40
 WELD 7 = LOCATION OF SPLICE, CONNECTING RUNS 41, 42, & 43 TO RUN 38
 WELD 8 = LOCATION OF SPLICE, CONNECTING RUNS 51, & 52 TO RUN 53

CODE	TYPE	SIZE	INSULATED	MATERIAL	COLOR
A	STRAIGHT	0.25	YES	STEEL	RED
B	STRAIGHT	0.25	YES	STEEL	BLUE
C	STRAIGHT	0.187	YES	STEEL	RED
D	FLAG	0.25	YES	STEEL	RED
F	FLAG	0.187	YES	STEEL	RED
G	FLAG	0.25	YES	STEEL	BLUE
H	FLAG	0.25	YES	STEEL	YELLOW
I	STRAIGHT	0.25	NO	STEEL	RED
J	RING	0.25	NO	STEEL	RED
K	PIGGYBACK	187	NO	STEEL	BLACK
L	STRAIGHT TAB	187	YES	STEEL	RED
M	STRAIGHT TAB	250	YES	STEEL	RED

Ref #	Part Number	Qty.	Description
1	PE070742	1	UPPER CONTROL HARNESS