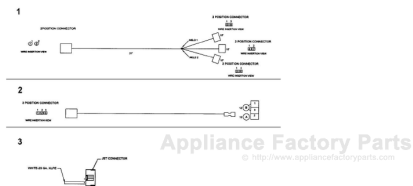


This Owner's Manual is provided and hosted by [Appliance Factory Parts](#).



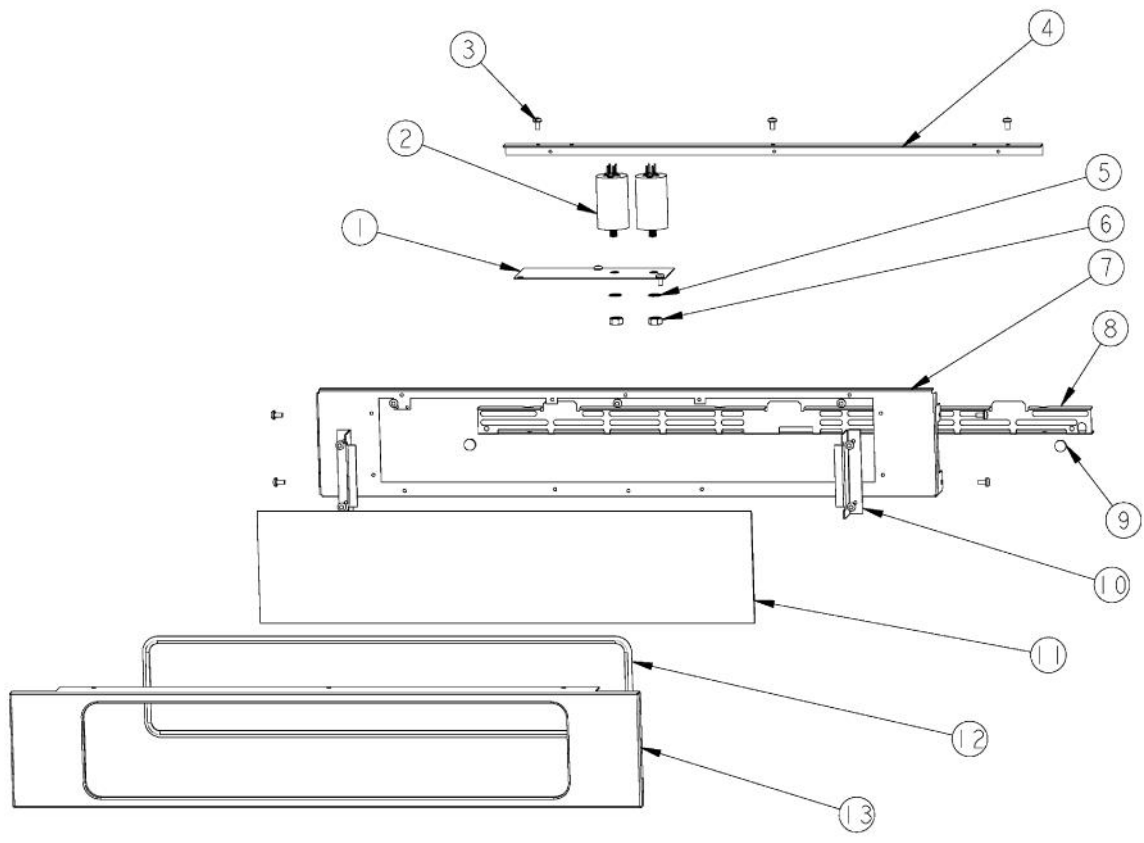
# VIKING VEDO130T Owner's Manual

[Shop genuine replacement parts for VIKING VEDO130T](#)

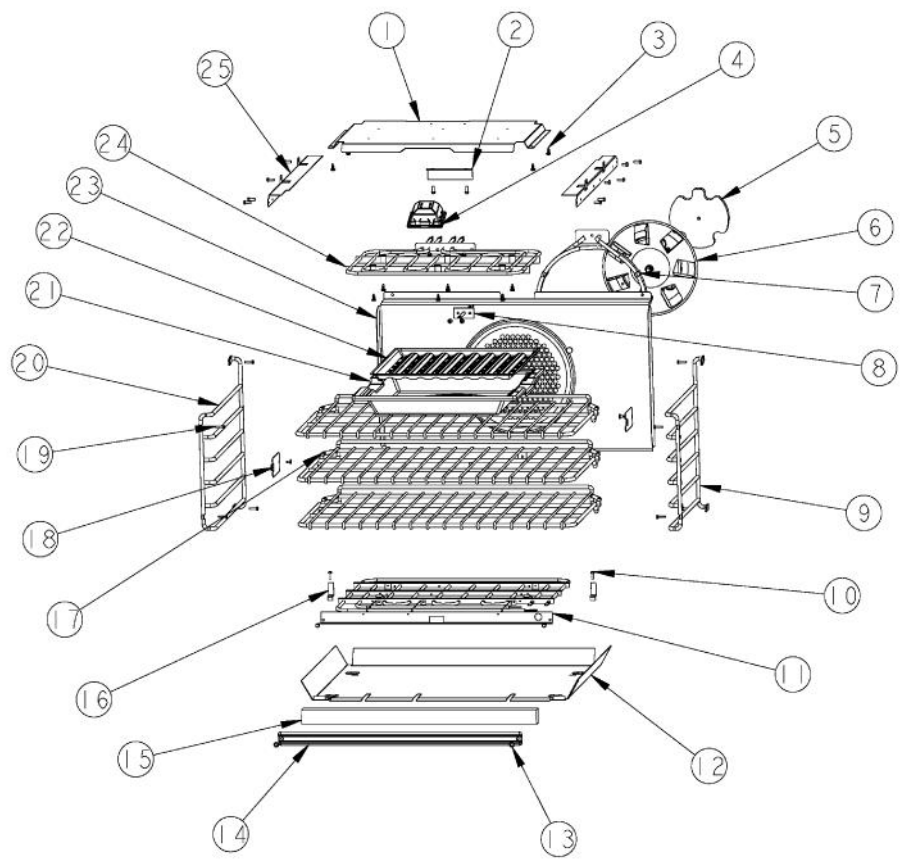


[Find Your VIKING Oven Parts - Select From 98 Models](#)

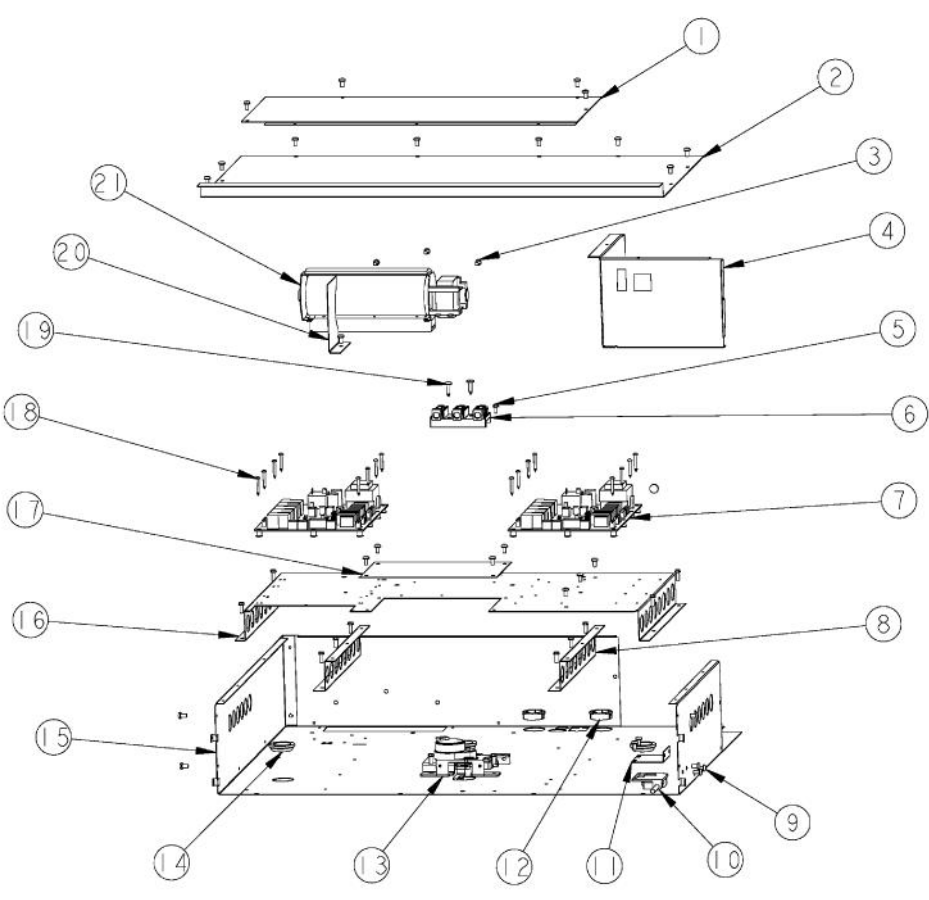
----- Manual continues below -----



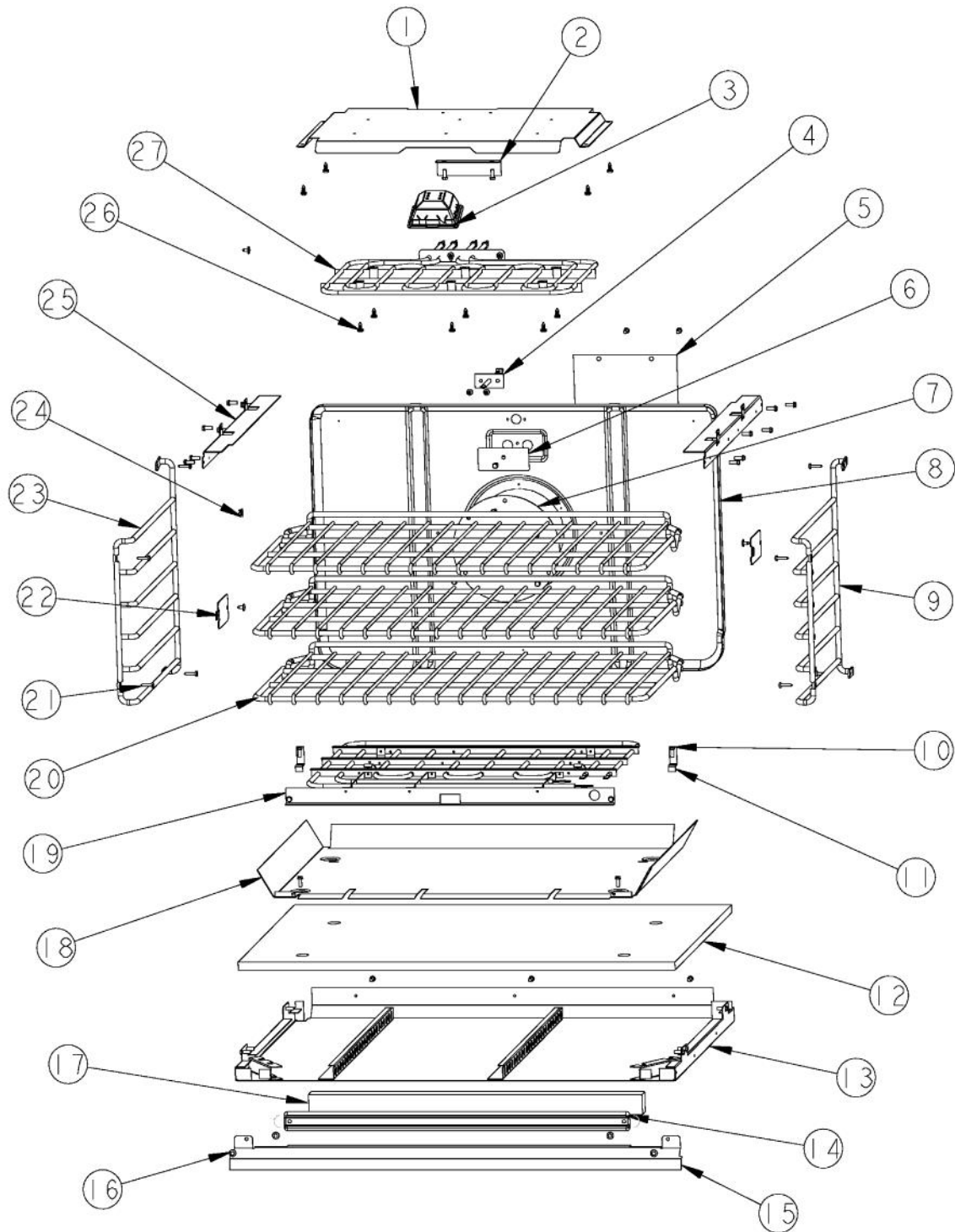
Ref #	Part Number	Qty.	Description
1	A10014028	1	2 CAPACITOR BRACKET
2	PE050247	2	EBM FAN MOTOR CAPACITOR
3	PD020004	16	10X3/8PH.HD.TYPE 25 REPL PD040125
4	002534-000	1	PRO-TOUCH CONTROL PANEL BRACKET
5	PD040164	2	5/16 INTERNAL TOOTH LOCK WASHER TYPE A
6	PD030172	2	M8 X 1.25MM NUT
7	000818-000	1	30 DOUBLE CONTROL MTG PANEL
8	C90014072BK	1	30 INLET GRILL
8	C90014072WH	1	30 INLET GRILLXWHX
9	PD040004	2	GROMMET BUMPER
10	000238-000	2	TOUCH CONTROL MTG BRACKET
11	000057-000	1	PRO DOUBLE SELECT TOUCH CONTROL
12	000816-000	1	30 J-MOLD (CHROME)
13	002456-000BK	1	30`` PROFESSIONAL CONTROL PNL - BK
13	002456-000SS	1	30`` PROFESSIONAL CONTROL PNL - SS
13	002456-000WH	1	30`` PROFESSIONAL CONTROL PNL - WH



Ref #	Part Number	Qty.	Description
1	A20014021	1	REFLECTOR, BROIL
2	A20014044	1	BROIL ELEMENT SHIELD
3	PD020055	14	NO.10 X 1/2 PAN PHIL. TEK. SS
4	PE050239	1	HALOGEN LAMP
5	PB070312	1	CONVECTION MOTOR MTG. PLATE INSULATION
6	G32014020	1	CONVECTION FAN ASSY
7	PJ010047	1	CONVECTION ELEMENT
8	PE050206	1	RTD THERMOSTAT PROBE
9	PB060103	1	RACK SUPPORT RH
10	PD020060	17	10 X 1/2 (5/16)HEX WSHR HD.(T)A
11	PJ010048	1	BAKE ELEMENT
12	A2009612	1	ELEMENT, MTG TRAY
13	PD020063	4	SCREW-NO.8(A) X 3/8PH WFR HD/BK OXID
14	E9109655	1	BAKE TRAY COVER
15	PB070309	1	BAKE ELEMENT INSULATION
16	A2009696	2	HOLDER, BAKE ELEMENT
17	PB060107	3	30 OVEN RACK
18	E91012614	2	LIGHT HOLE COVER
19	PD020232	8	NO.8 X 3/4 PH PAN HEAD TEK SCREW (BLACK OXIDE)
20	PB060104	1	RACK SUPPORT LH
21	E9107933	1	BROILER PAN
22	E9107934	1	BROILER PAN INSERT
23	G91013598	1	30 BAFFLE ASSEMBLY
24	PJ010049	1	BROIL ELEMENT
25	A2009641	2	BRKT, TOP WRAPPER

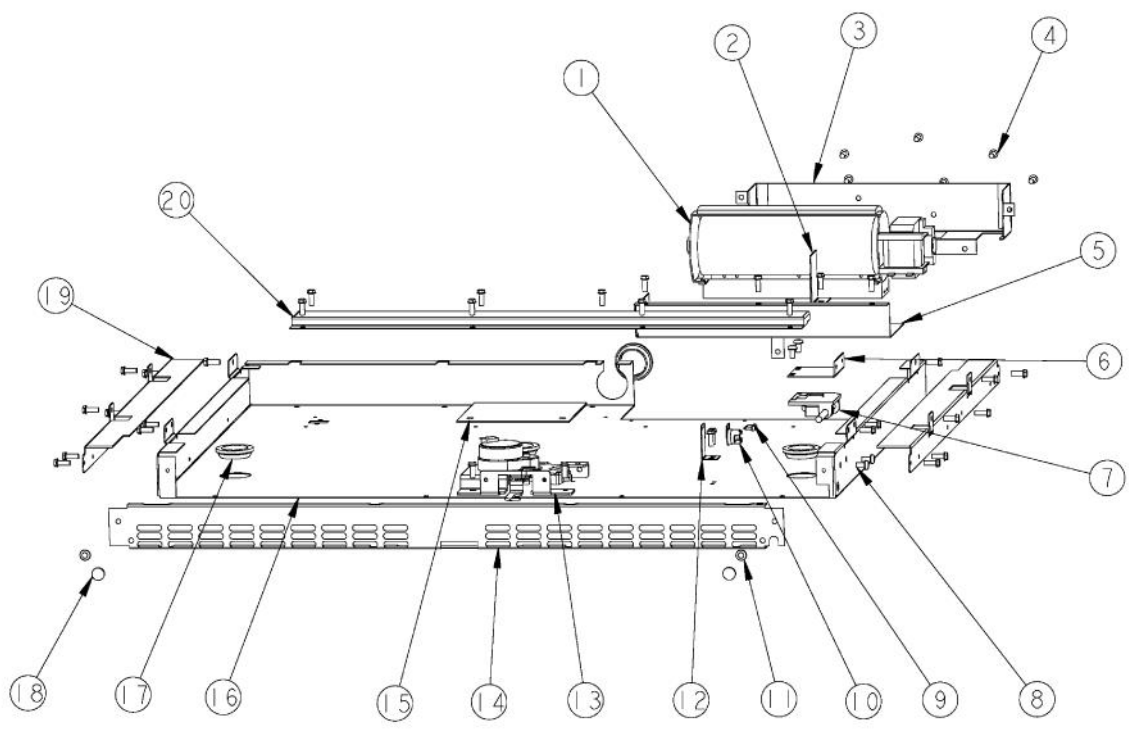


Ref #	Part Number	Qty.	Description
1	A20014049	1	30 REAR COVER
2	A20014048	1	30 FRONT COVER
3	PD020004	12	10X3/8PH.HD.TYPE 25 REPL PD040125
4	A20010934	1	BRACKET, MODULE PAN
5	PD020014	2	10X3/4 PH TR HD SMS
6	PE070147	1	TERMINAL BLOCK
7	PE050233	2	CONTROL BOARD
8	A20010910	2	BRACKET, SUPPORT, ELECTRONICS HAT
9	PD020002	4	10 X 1/2 PH.TR.HD.SMS.
10	PE050208	1	DOOR SWITCH
11	PB070079	3	SILICONE EXTRUSION (DGSU)
12	PD040152	2	SNAP BUSHING
13	PE050210	1	DOOR LATCH
14	PD020010	1	10 X 3/8 GREEN GROUNDING SCREW
15	NOT REPLACEABLE	N/A	OVEN CAVITY (NOT REPLACEABLE PART)
16	A2009672	1	ELECTRONICS HAT
17	A10010911	1	COVER, LATCH
18	PD020185	16	NO.6 X 1 PAN HEAD SCREW
19	PD020060	3	10 X 1/2 (5/16)HEX WSHR HD.(T)A
20	A2009667	1	REAR AIR DIVIDER
21	PE050250	1	PREMIUM BLOWER WITH HES
NI	A20012649	1	DOOR SWITCH BRACKET
NI	PE050234	1	RELAY BOARD

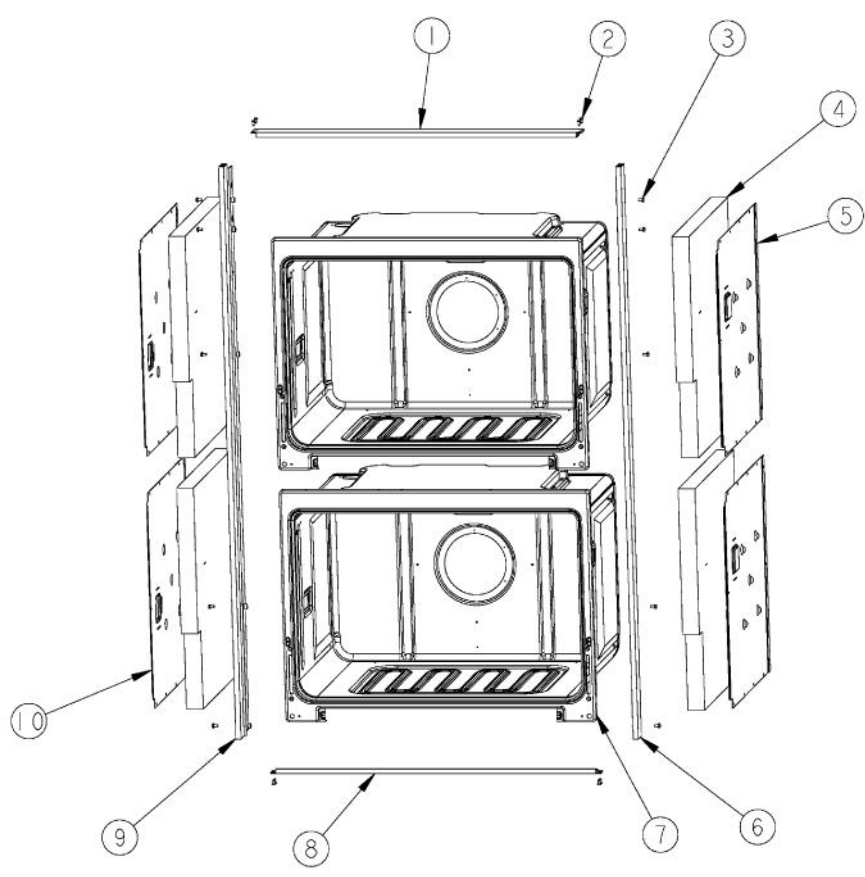




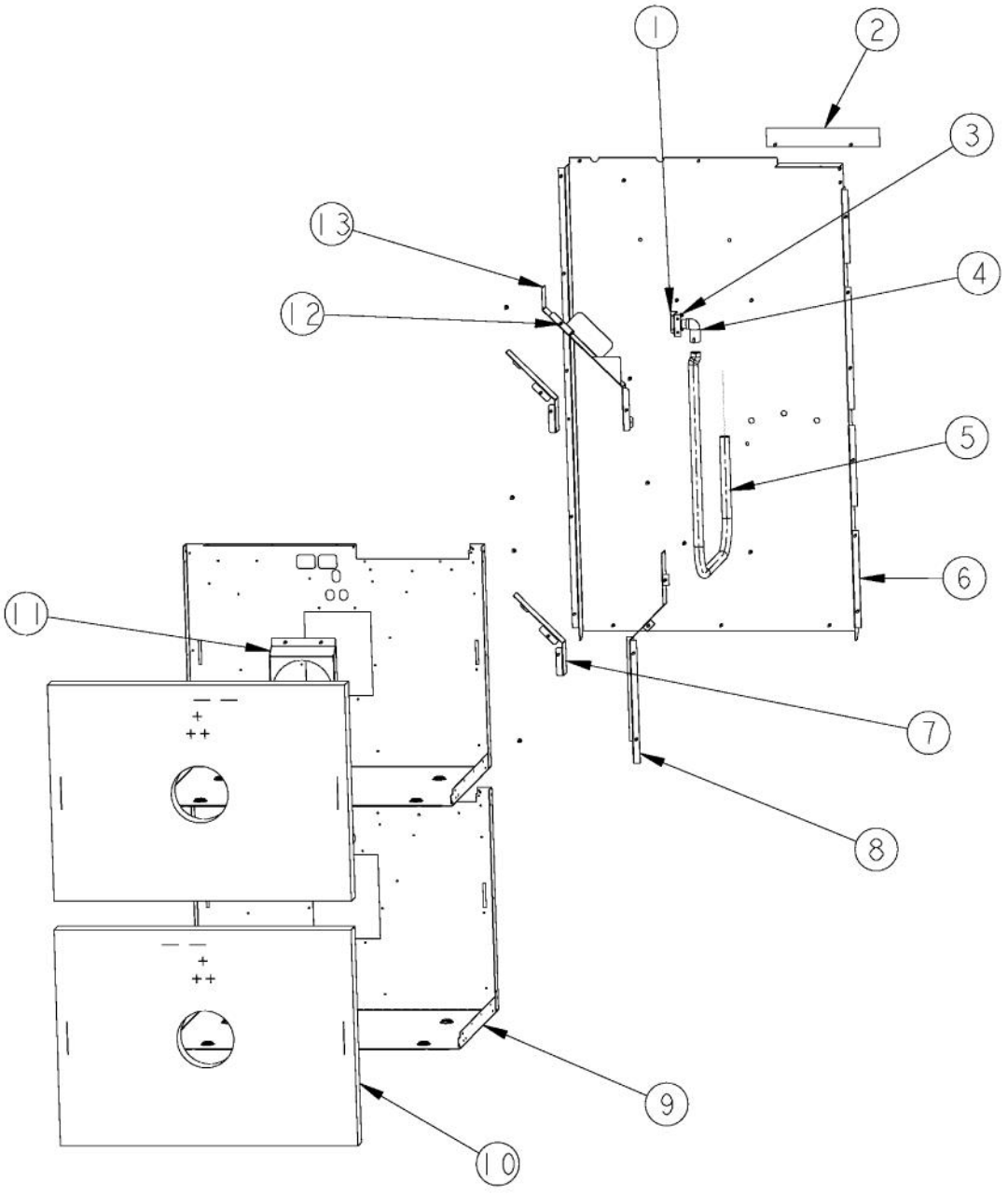
Ref #	Part Number	Qty.	Description
1	A20014021	1	REFLECTOR, BROIL
2	A20014044	1	BROIL ELEMENT SHIELD
3	PE050239	1	HALOGEN LAMP
4	PE050206	1	RTD THERMOSTAT PROBE
5	A10012648	1	BACK COVER
6	E91012616	1	CONV. ELEMENT HOLE COVER
7	E91012615	1	CONVECTION HOLE COVER
8	NOT REPLACEBLE	N/A	CABINET TOP
9	PB060103	1	RACK SUPPORT RH
10	PD020060	42	10 X 1/2 (5/16)HEX WSHR HD.(T)A
11	A2009696	2	HOLDER, BAKE ELEMENT
12	PB070303	1	30 BOTTOM INSULATION
13	NOT REPLACEBLE	N/A	CABINET TOP
14	E9109655	1	BAKE TRAY COVER
15	C90012831BK	1	BOTTOM AIR DEFLECTOR 30
16	PD020063	4	SCREW-NO.8(A) X 3/8PH WFR HD/BK OXID
17	PB070309	1	BAKE ELEMENT INSULATION
18	A2009612	1	ELEMENT, MTG TRAY
19	PJ010048	1	BAKE ELEMENT
20	PB060107	3	30 OVEN RACK
21	PD020232	8	NO.8 X 3/4 PH PAN HEAD TEK SCREW (BLACK OXIDE)
22	E91012614	2	LIGHT HOLE COVER
23	PB060104	1	RACK SUPPORT LH
24	E91014053	1	PORCELAIN 25/64 HOLE PLUG
25	A2009641	2	BRKT, TOP WRAPPER
26	PD020055	14	NO.10 X 1/2 PAN PHIL. TEK. SS
27	PJ010049	1	BROIL ELEMENT



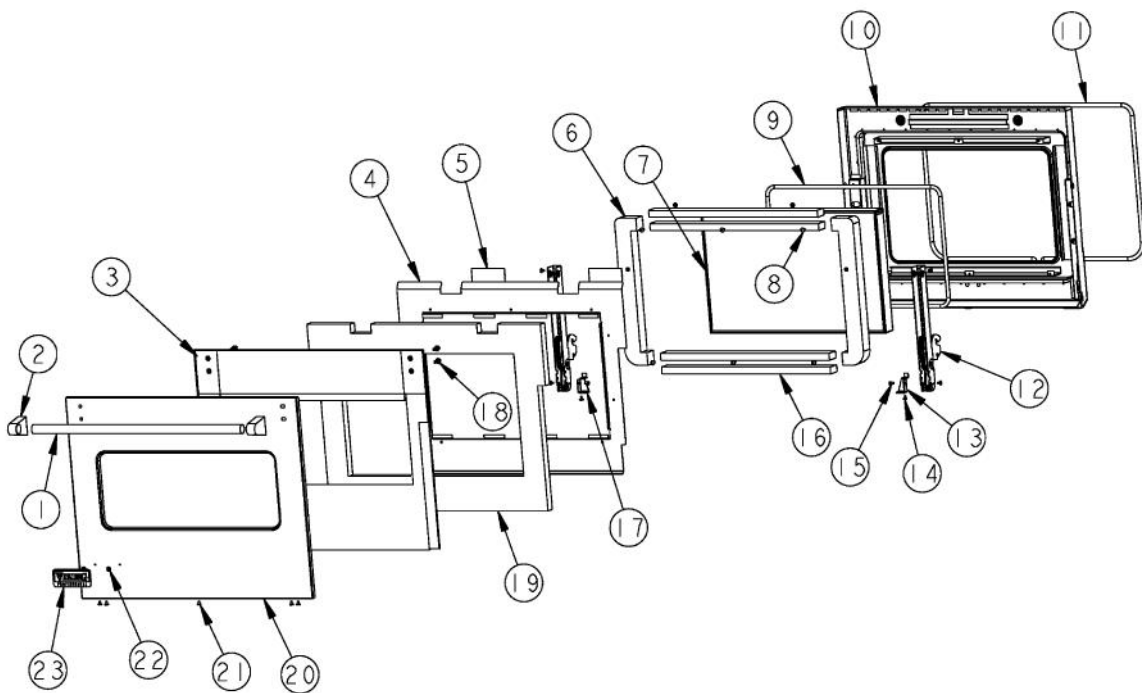
Ref #	Part Number	Qty.	Description
1	PE050228	1	PREMIUM BLOWER
2	A20014036	1	BOTTOM BLOWER DIVIDER
3	A2009660	1	BRACKET, BLOWER, DBL LOWER OVEN
4	PD020060	40	10 X 1/2 (5/16)HEX WSHR HD.(T)A
5	A2009659	1	BRACKET, FILLER, BLOWER
6	A20012649	1	DOOR SWITCH BRACKET
7	PE050208	1	DOOR SWITCH
8	PD020004	4	10X3/8PH.HD.TYPE 25 REPL PD040125
9	PD020013	2	TYPE AB NO.6 X 3/8 PH PAN HD. SMS
10	PJ030039	1	BI-METAL THERMOSTAT 275 DEGREES
11	PD020063	2	SCREW-NO.8(A) X 3/8PH WFR HD/BK OXID
12	A20014089	1	DISC BRACKET
13	PE050210	1	DOOR LATCH
14	020478-002	1	GRILL, INL, LOWER, DBL OVEN, 30 XBKX
15	PB070321	1	LOWER LATCH INSULATION
16	A2009661	1	MODULE PAN 30
17	PB070079	1	SILICONE EXTRUSION (DGSU)
18	PD040004	2	GROMMET BUMPER
19	A2009641	2	BRKT, TOP WRAPPER
20	A2009682	1	CATALYST EXHAUST, MIDDLE MODULE
NI	020477-000	1	DIVERTER, AIR, BOT, FLAT, 30



Ref #	Part Number	Qty.	Description
1	PE040273	1	30 PROF. TOP TRIM
2	M0215318	4	SCREW-SM
3	PD020004	10	10X3/8PH.HD.TYPE 25 REPL PD040125
4	PB070302	4	SIDE INSULATION
5	A2009622	2	BRKT, TOP WRAPPER, RIGHT
6	PE040277	1	PROF. DOUBLE SIDE TRIM RH
7	NOT REPLACEABLE	N/A	OVEN CAVITY (NOT REPLACEABLE PART)
8	PE040274	1	30 PROF. BOTTOM TRIM
9	PE040278	1	PROF. DOUBLE SIDE TRIM LH
10	A20012650	2	BRKT, TOP WRAPPER LEFT

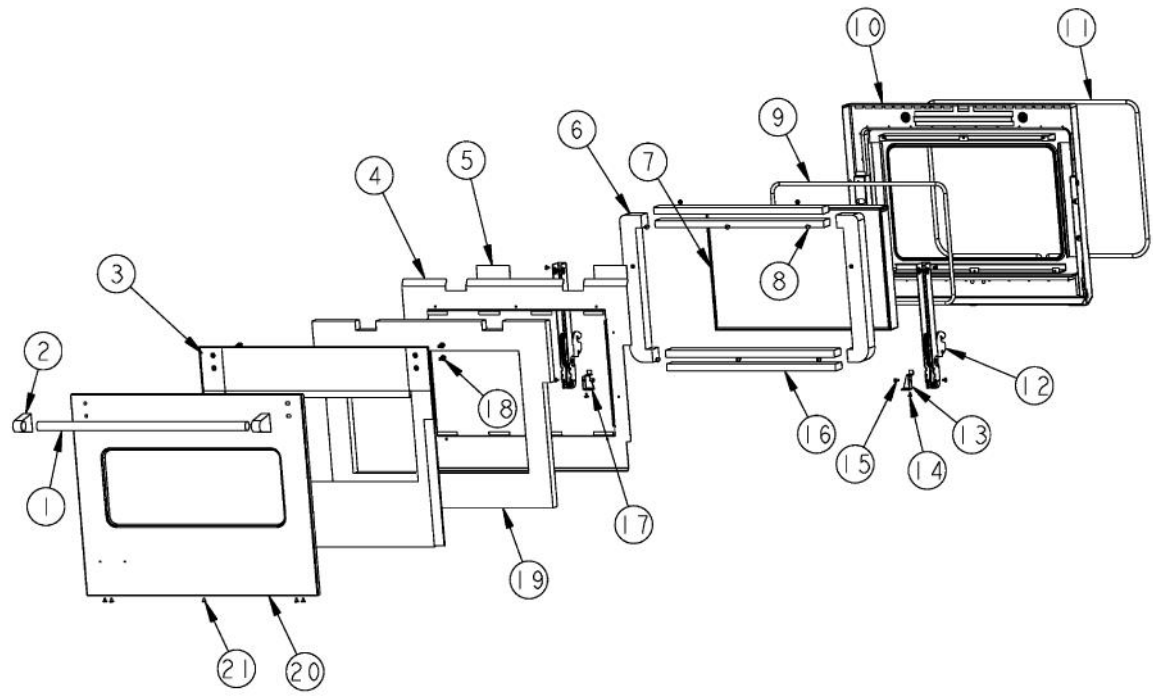


Ref #	Part Number	Qty.	Description
1	A2009671	1	BRACKET, POWER CABLE
2	A10010907	1	COVER, BLOWER
3	PD020060	51	10 X 1/2 (5/16)HEX WSHER HD.(T)A
4	PB040070	1	CONDUIT FITTING (90 DEG)
5	PB020071	1	CONDUIT - FLEXIBLE (48)
6	A2009683	1	PANEL, REAR
7	A21010919	2	BRACKET, AIR, CONVECTION MOTOR
8	A2009699	1	REAR AIR DIVIDER, DBL, LOWER OVEN
9	NOT REPLACEBLE	N/A	CABINET TOP
10	PB070304	2	30 BACK INSULATION
11	A2009697	1	BRACKET, CONVECTION INSULATION
12	A20014052	1	WIRE SHIELD
13	A21010918	1	BRACKET, AIR, CONVECTION MOTOR



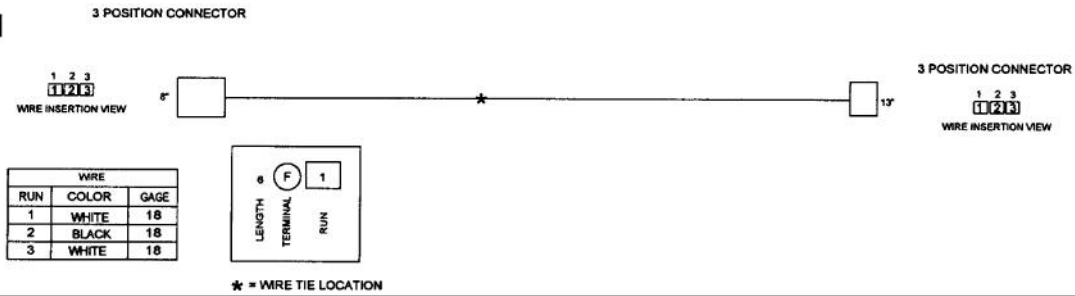


Ref #	Part Number	Qty.	Description
1	PE030179	1	30 PROF. DOOR HANDLE
1	PE030179PVD	1	30 PROF. DOOR HANDLE XPV DX 24.907
2	PE030001	2	BRACKET, DOOR, HANDLE
2	PE030001PVD	2	END CAP DOOR HANDLE XBR
3	001499-000	1	PRO 30` INSULATION RETAINER KIT (AFTER 7-17-06)
4	A2009632	1	PANEL, INULATION, INNER DOOR
5	PB070336	1	DOOR BRACKET INSULATION
6	PB070271	2	DOOR PLUG INSULATION
7	PE060094	1	30 WINDOW PACK
8	PD020002	8	10 X 1/2 PH.TR.HD.SMS.
9	000594-000	1	BLACK FIBERGLASS ROPE 3/8
10	G9109625	1	DOOR LINER PORC.
11	PB070246	1	30 DOOR GASKET
12	PC020220	2	SUB TO 006070-000 - DOOR HINGE MANSFIELD 30
13	A20012640	1	HINGE SUPPORT RH
14	PD020063	2	SCREW-NO.8(A) X 3/8PH WFR HD/BK OXID
15	PD020004	6	10X3/8PH.HD.TYPE 25 REPL PD040125
16	PB070269	1	30 WINDOW PACK INSULATION
17	A20012641	1	HINGE SUPPORT LH
18	PD020186	4	1/4-20 X 3/4 HEX WASHER HEAD MS
19	PB020272	1	304SS 3/4 X .035 TUBING
20	PS500015BK	1	30 PRO DOOR SKIN SVC KIT W/LOGO AFTER 07/17/06 -BK
20	PS500015BKBR	1	30 PRO DOOR SKIN SVC KIT W/LOGO AFTER 07/17/06 -BK/BR
20	PS500015SS	1	30 PRO DOOR SKIN SVC KIT W/LOGO AFTER 07/17/06 -SS
20	PS500015SSBR	1	30 PRO DOOR SKIN SVC KIT W/LOGO AFTER 07/17/06 - SS/B...
20	PS500015WH	1	30 PRO DOOR SKIN SVC KIT W/LOGO AFTER 07/17/06 - WH
20	PS500015WHBR	1	30 PRO DOOR SKIN SVC KIT W/LOGO AFTER 07/17/06 - WH/...
21	PD020032	5	SRW-8(A)X3/8PH.WFR HD 7/16DIAXNCL
22	PD030006	1	CAPPED WASHER PAL NUT
23	PE010016	1	NAMEPLATE, LOGO, PRO
23	PE010017	1	LOGO (VGSO,VEDO,VGDO,VUD) XWH/CHR
23	PE010079	1	4.5 LOGO/VIKING PROF, BK/BR
23	PE010080	1	4.5 LOGO/VIKING PROF XWH/BR
NI	G32012723BK	1	30 DOOR ASSY W/LOGO XBKX
NI	G32012723BKBR	1	30 DOOR ASSY W/LOGO XBKBRX
NI	G32012723SS	1	30 DOOR ASSY W/LOGO
NI	G32012723SSBR	1	30 DOOR ASSY W/LOGO XSSBRX
NI	G32012723WH	1	30 DOOR ASSY W/LOGO XWHX
NI	G32012723WHBR	1	30 DOOR ASSY W/LOGO XWHBRX
NI	017736-000	1	WINDOW PACK INSULATION KIT

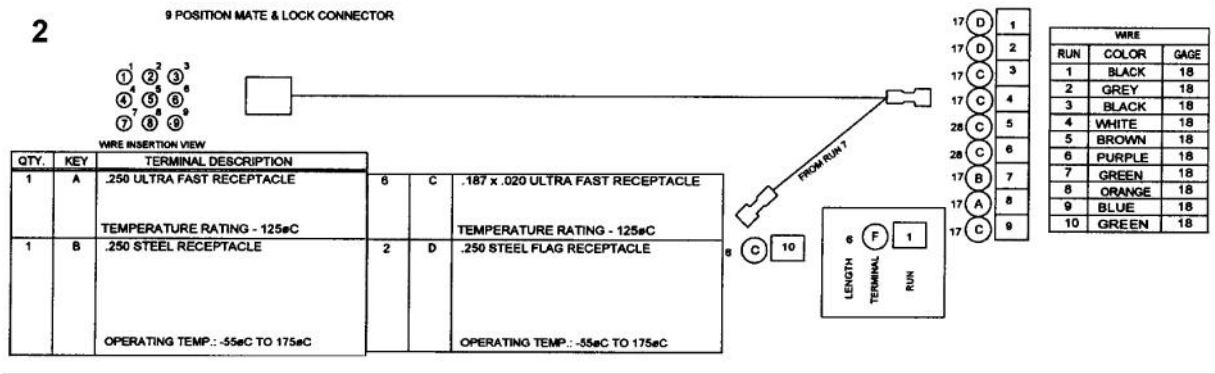


Ref #	Part Number	Qty.	Description
1	PE030179	1	30 PROF. DOOR HANDLE
1	PE030179PVD	1	30 PROF. DOOR HANDLE XPVDX 24.907
2	PE030001	2	BRACKET, DOOR, HANDLE
2	PE030001PVD	2	END CAP DOOR HANDLE XBR
3	001499-000	1	PRO 30` INSULATION RETAINER KIT (AFTER 7-17-06)
4	A2009632	1	PANEL, INULATION, INNER DOOR
5	PB070336	1	DOOR BRACKET INSULATION
6	PB070271	2	DOOR PLUG INSULATION
7	PE060094	1	30 WINDOW PACK
8	PD020002	8	10 X 1/2 PH.TR.HD.SMS.
9	000594-000	1	BLACK FIBERGLASS ROPE 3/8
10	G9109625	1	DOOR LINER PORC.
11	PB070246	1	30 DOOR GASKET
12	PC020220	2	SUB TO 006070-000 - DOOR HINGE MANSFIELD 30
13	A20012640	1	HINGE SUPPORT RH
14	PD020063	2	SCREW-NO.8(A) X 3/8PH WFR HD/BK OXID
15	PD020004	6	10X3/8PH.HD.TYPE 25 REPL PD040125
16	PB070269	1	30 WINDOW PACK INSULATION
17	A20012641	1	HINGE SUPPORT LH
18	PD020186	4	1/4-20 X 3/4 HEX WASHER HEAD MS
19	PB070272	1	30 DOOR INSULATION
20	PS500017BK	1	30 PRO DOOR SKIN SERVICE KIT W/O LOGO AFTER 07/17/0...
20	PS500017BKBR	1	30 PRO DOOR SKIN SERVICE KIT W/O LOGO AFTER 07/17/0...
20	PS500017SS	1	30 PRO DOOR SKIN SERVICE KIT W/O LOGO AFTER 07/17/0...
20	PS500017SSBR	1	30 PRO DOOR SKIN SERVICE KIT W/O LOGO AFTER 07/17/0...
20	PS500017WH	1	30 PRO DOOR SKIN SERVICE KIT W/O LOGO AFTER 07/17/0...
20	PS500017WHBR	1	30 PRO DOOR SKIN SERVICE KIT W/O LOGO AFTER 07/17/0...
21	PD020032	5	SRW-8(A)X3/8PH.WFR HD 7/16DIAXNICL
NI	G32012724BK	1	30 DOOR ASSY W/O LOGO XBKX
NI	G32012724BKBR	1	30 DOOR ASSY W/O LOGO XBKBRX
NI	G32012724SS	1	30 DOOR ASSY W/O LOGO
NI	G32012724SSBR	1	30 DOOR ASSY W/O LOGO XSSBRX
NI	G32012724WH	1	30 DOOR ASSY W/O LOGO XWHX
NI	G32012724WHBR	1	30 DOOR ASSY W/O LOGO XWHBRX
NI	017736-000	1	WINDOW PACK INSULATION KIT

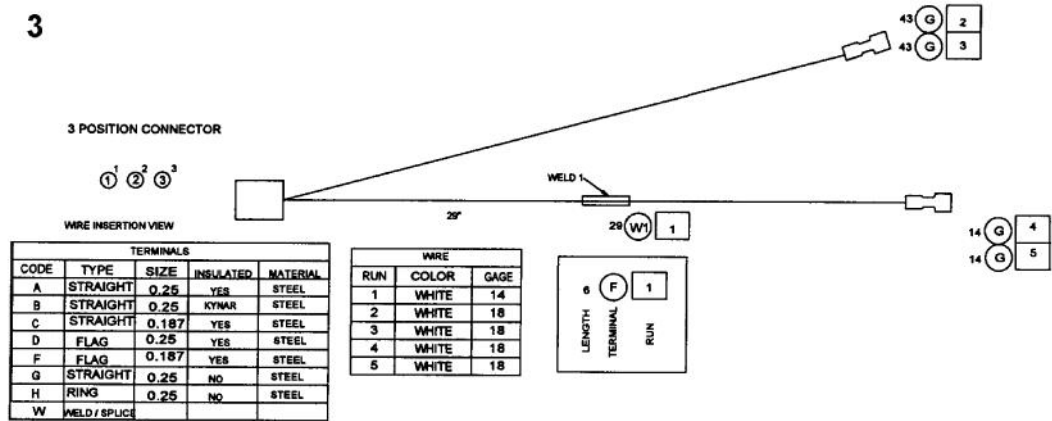
1



2

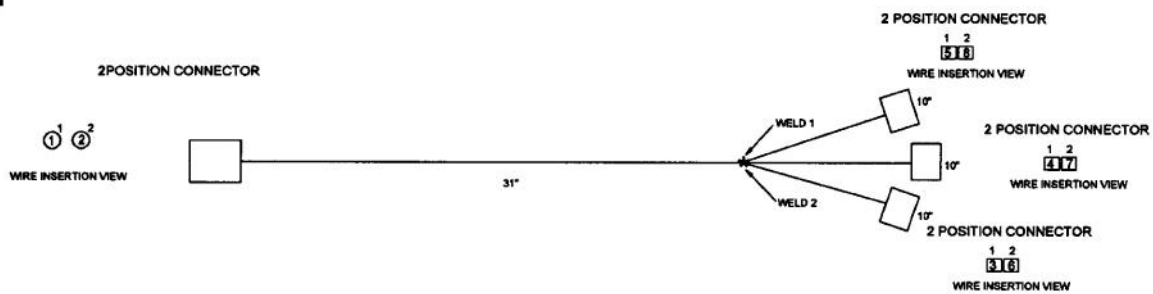


3



Ref #	Part Number	Qty.	Description
1	PE070738	1	T/STAT-SEL HARNESS
NI	PE070733	1	UPPER LATCH HARNESS
NI	PE070739	1	BAKE ELEMENT HARNESS
NI	G4005496	1	SUPPLY WIRE - 100 BK 10GA SO/DO
NI	G4005497	1	SUPPLY WIRE - 100 GREEN 10GA SO/DO
NI	G4005499	1	SUPPLY WIRE - 100 RED 10GA SO/DO
NI	G4005494	1	SUPPLY WIRE - 75 WH 12 GA SO/DO

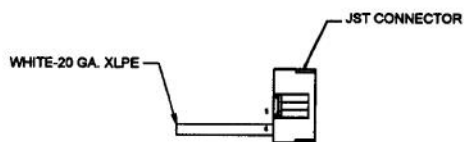
1



2

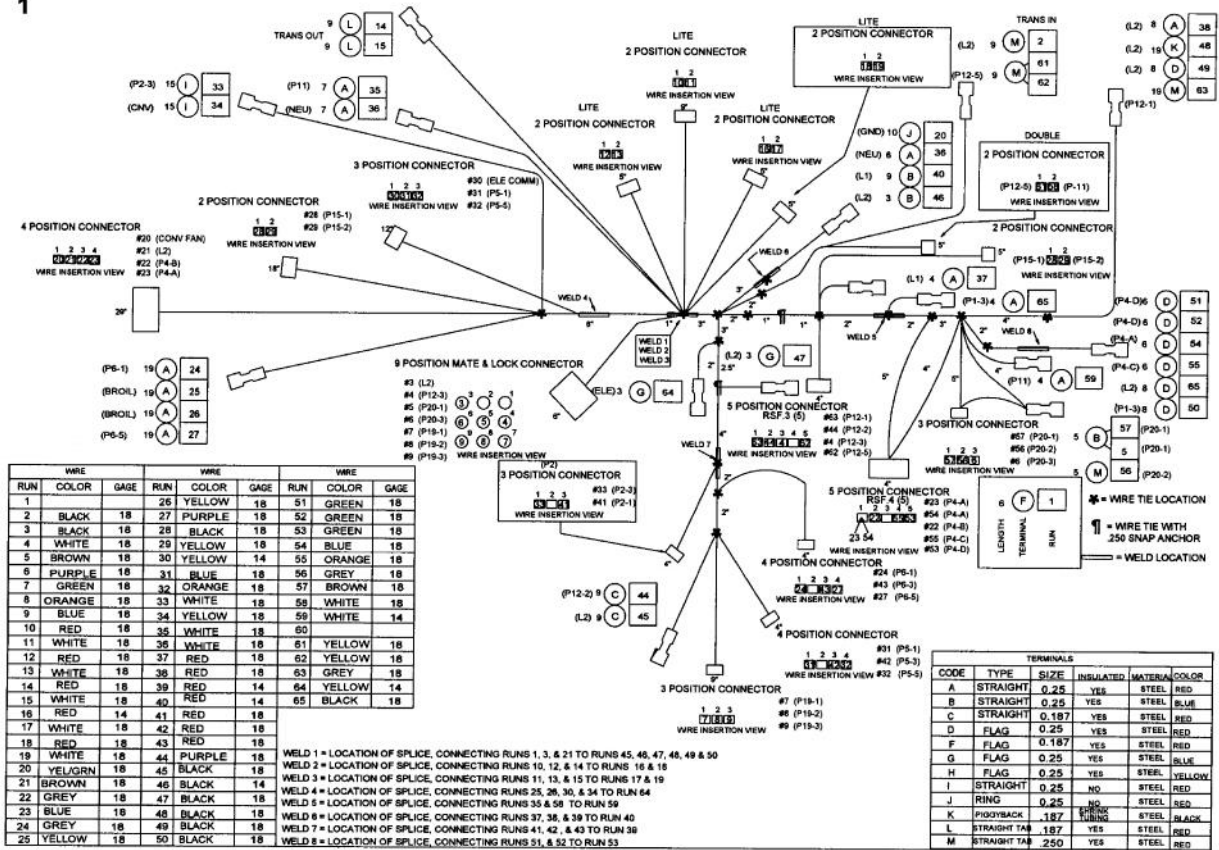


3



Ref #	Part Number	Qty.	Description
1	PE070741	1	LOWER LIGHT HARNESS
2	PE070744	1	DOUBLE CLOCK HARNESS
3	PE070763	1	10 POSITION 30 L.O.

1



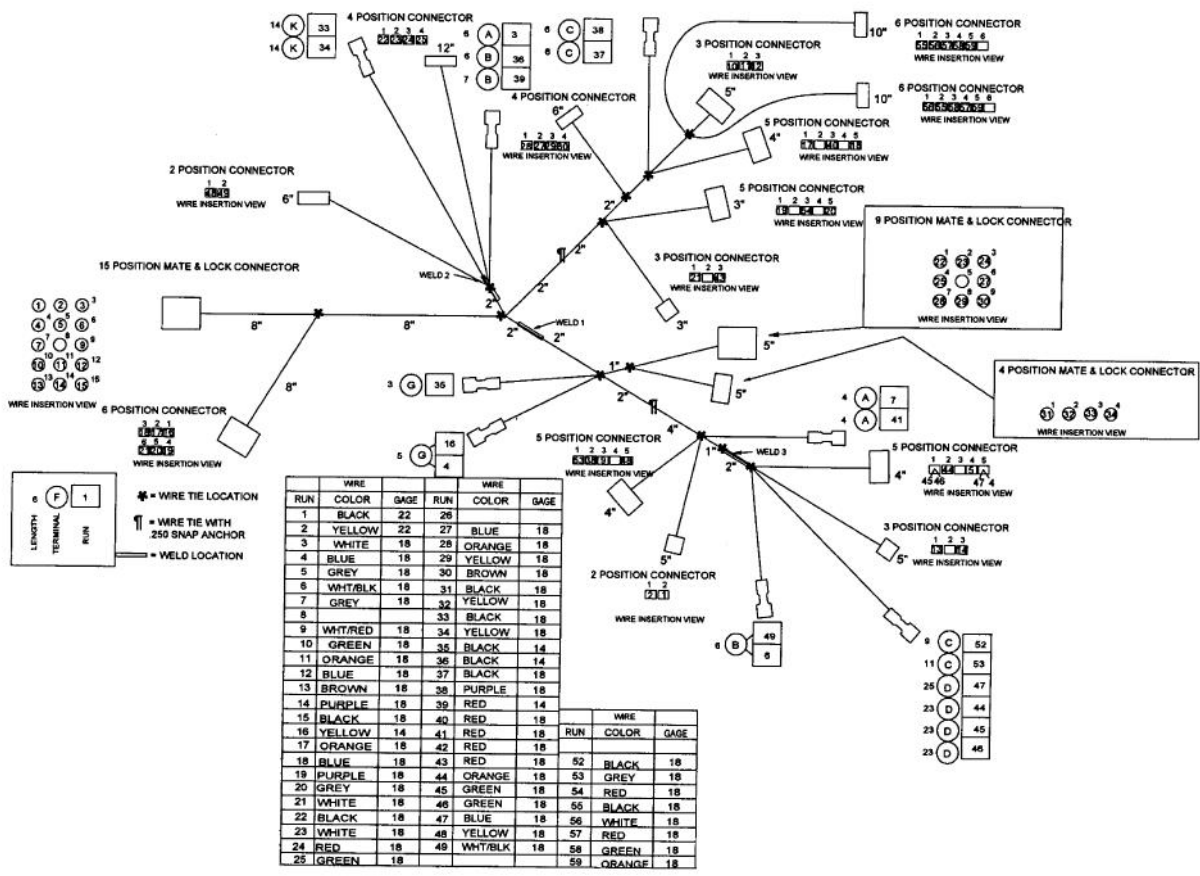
WIRE	WIRE	WIRE	WIRE	WIRE	WIRE	WIRE	WIRE	
RUN	COLOR	GAGE	RUN	COLOR	GAGE	RUN	COLOR	GAGE
1			25	YELLOW	18	51	GREEN	18
2	BLACK	18	27	PURPLE	18	52	GREEN	18
3	BLACK	18	28	BLACK	18	53	GREEN	18
4	WHITE	18	29	YELLOW	18	54	BLUE	18
5	BROWN	18	30	YELLOW	14	55	ORANGE	18
6	PURPLE	18	31	BLUE	18	56	GREY	18
7	PURPLE	18	32	ORANGE	18	57	BROWN	18
8	ORANGE	18	33	WHITE	18	58	WHITE	18
9	BLUE	18	34	YELLOW	18	59	WHITE	14
10	RED	18	35	WHITE	18	60		
11	WHITE	18	36	WHITE	18	61	YELLOW	18
12	RED	18	37	RED	18	62	YELLOW	18
13	WHITE	18	38	RED	18	63	GREY	18
14	RED	18	39	RED	14	64	YELLOW	14
15	WHITE	18	40	RED	14	65	BLACK	18
16	RED	14	41	RED	18			
17	WHITE	18	42	RED	18			
18	RED	18	43	RED	18			
19	WHITE	18	44	PURPLE	18			
20	YELLOW	18	45	BLACK	18			
21	BROWN	18	46	BLACK	14			
22	GREY	18	47	BLACK	18			
23	BLUE	18	48	BLACK	18			
24	GREY	18	49	BLACK	18			
25	YELLOW	18	50	BLACK	18			

WELD 1 = LOCATION OF SPLICE, CONNECTING RUNS 1, 3, & 21 TO RUNS 45, 46, 47, 48, 49 & 50  
 WELD 2 = LOCATION OF SPLICE, CONNECTING RUNS 10, 13, & 14 TO RUNS 16 & 18  
 WELD 3 = LOCATION OF SPLICE, CONNECTING RUNS 11, 13, & 15 TO RUNS 17 & 19  
 WELD 4 = LOCATION OF SPLICE, CONNECTING RUNS 25, 26, 30, & 34 TO RUN 64  
 WELD 5 = LOCATION OF SPLICE, CONNECTING RUNS 35 & 58 TO RUN 59  
 WELD 6 = LOCATION OF SPLICE, CONNECTING RUNS 37, 38, & 39 TO RUN 40  
 WELD 7 = LOCATION OF SPLICE, CONNECTING RUNS 41, 42, & 43 TO RUN 38  
 WELD 8 = LOCATION OF SPLICE, CONNECTING RUNS 51, & 52 TO RUN 53

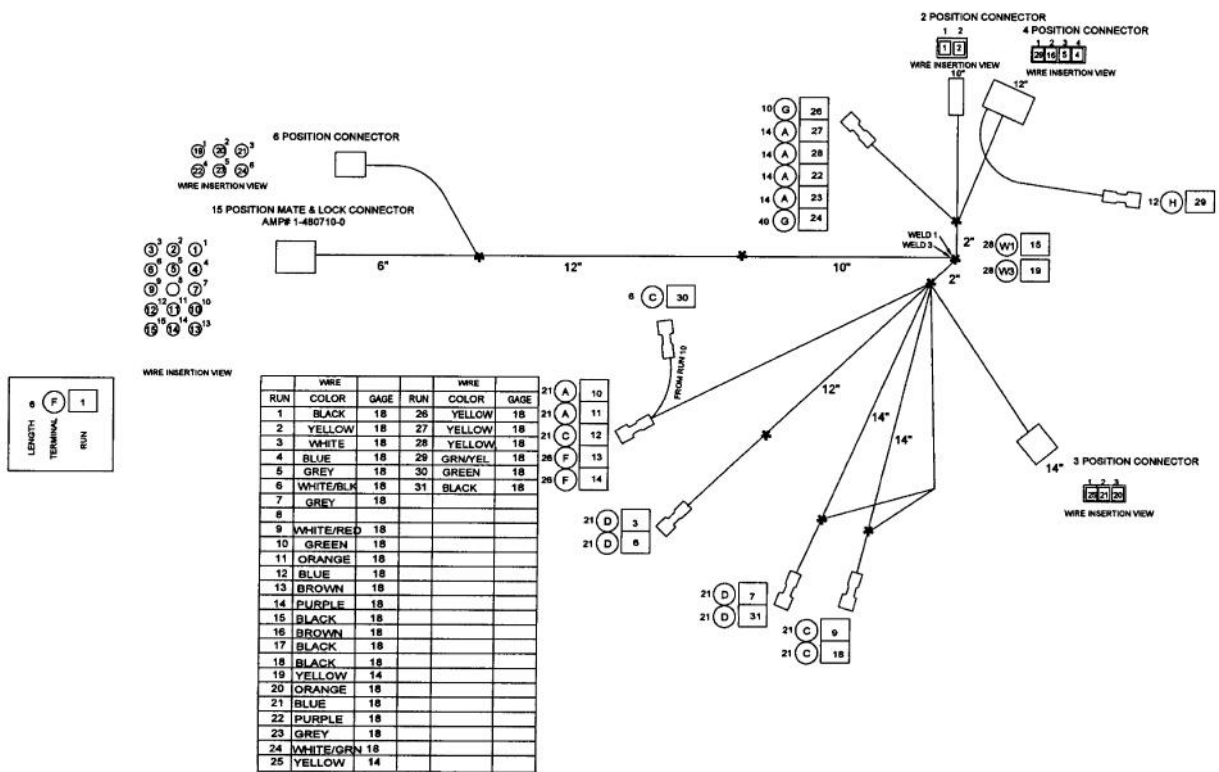
CODE	TYPE	SIZE	INSULATED	MATERIAL	COLOR
A	STRAIGHT	0.25	YES	STEEL	RED
B	STRAIGHT	0.25	YES	STEEL	BLUE
C	STRAIGHT	0.187	YES	STEEL	RED
D	FLAG	0.25	YES	STEEL	RED
F	FLAG	0.187	YES	STEEL	RED
G	FLAG	0.25	YES	STEEL	BLUE
H	FLAG	0.25	YES	STEEL	YELLOW
I	STRAIGHT	0.25	NO	STEEL	RED
J	RING	0.25	NO	STEEL	RED
K	PIGGYBACK	187	NO	STEEL	BLACK
L	STRAIGHT TAB	187	YES	STEEL	RED
M	STRAIGHT TAB	250	YES	STEEL	RED



Ref #	Part Number	Qty.	Description
1	PE070742	1	UPPER CONTROL HARNESS



Ref #	Part Number	Qty.	Description
NI	PE070736	1	LOWER CONTROL HARNESS



Ref #	Part Number	Qty.	Description
NI	PE070740	1	LOWER LATCH HARNESS

*No Image  
Available*

Ref #	Part Number	Qty.	Description
NI	PE070845	1	TOUCH CONTROL KEYBOARD HARNESS

*No Image  
Available*



Ref #	Part Number	Qty.	Description
NI	PE070845	1	TOUCH CONTROL KEYBOARD HARNESS
NI	PE070846	1	TOUCH CONTROL DISPLAY HARNESS