

This Owner's Manual is provided and hosted by [Appliance Factory Parts](#).



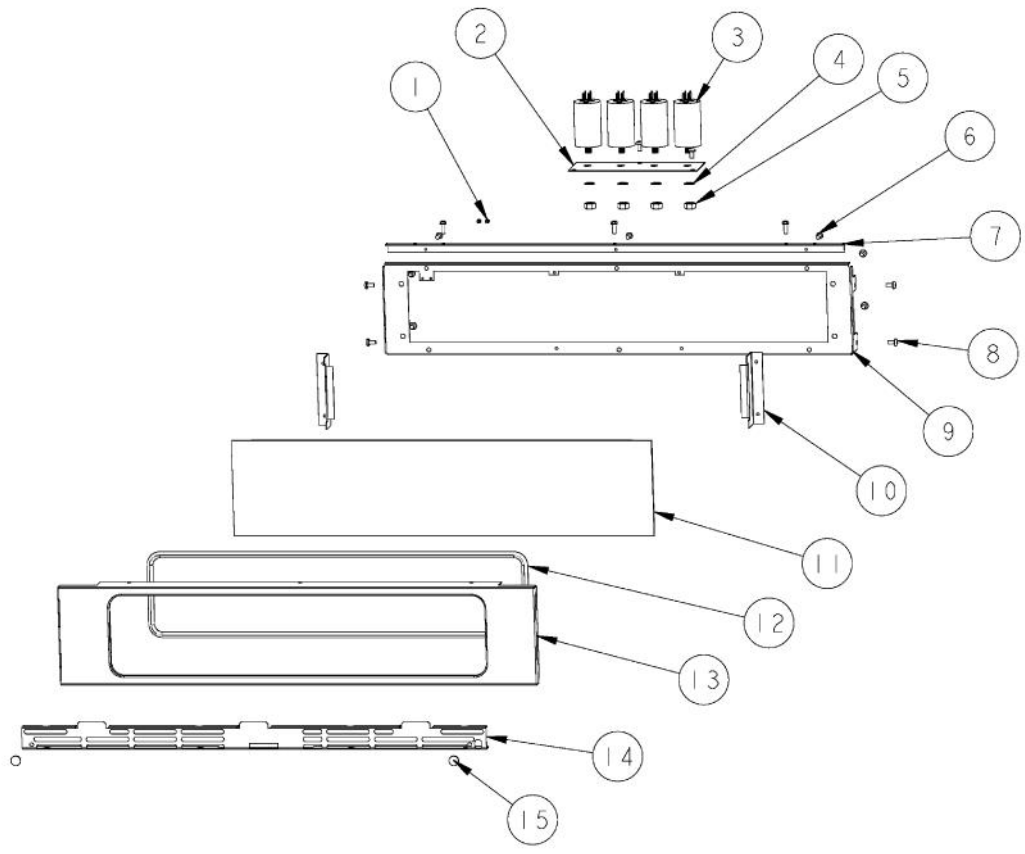
VIKING VEDO527T Owner's Manual

[Shop genuine replacement parts for VIKING VEDO527T](#)

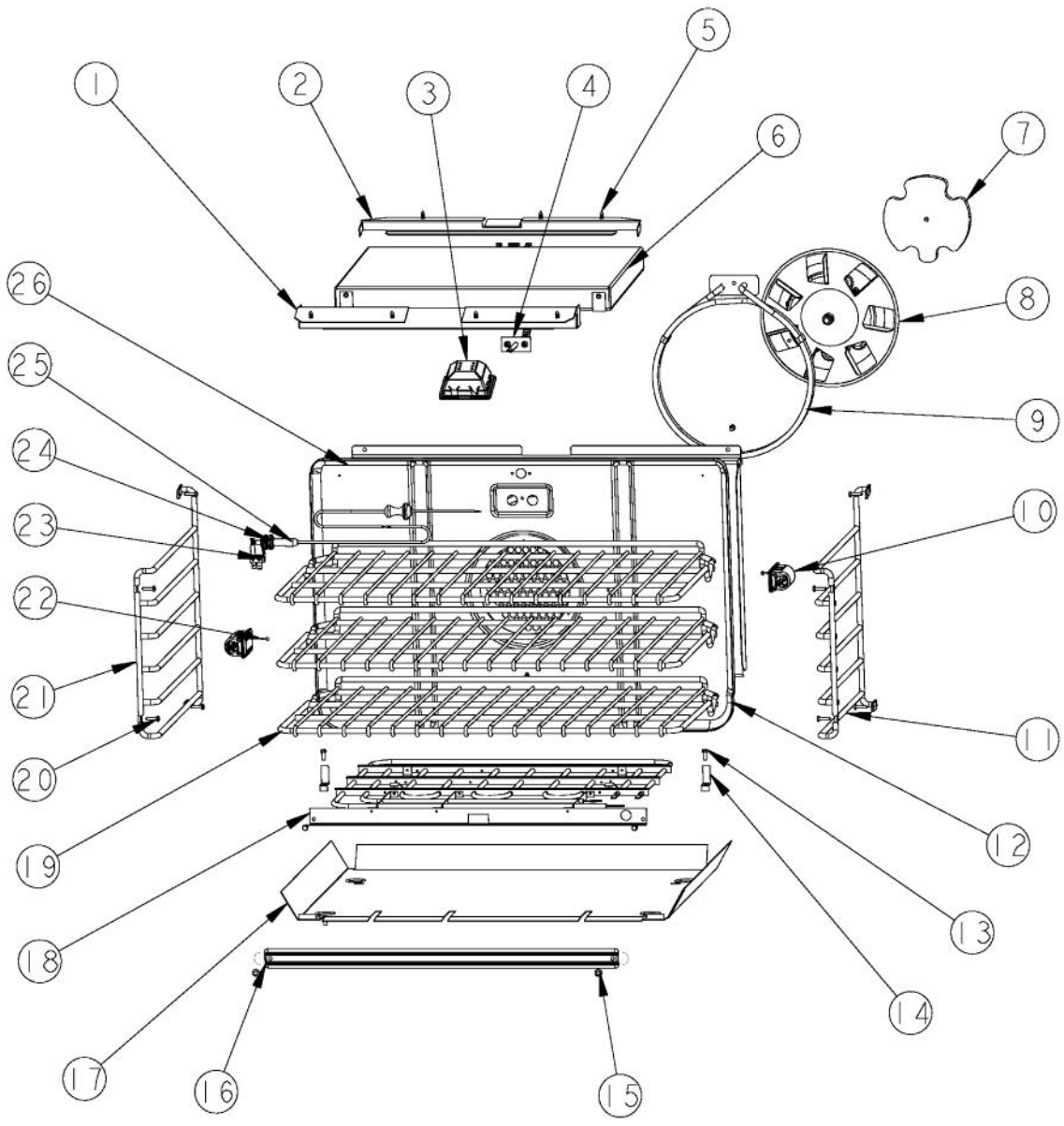


[Find Your VIKING Oven Parts - Select From 98 Models](#)

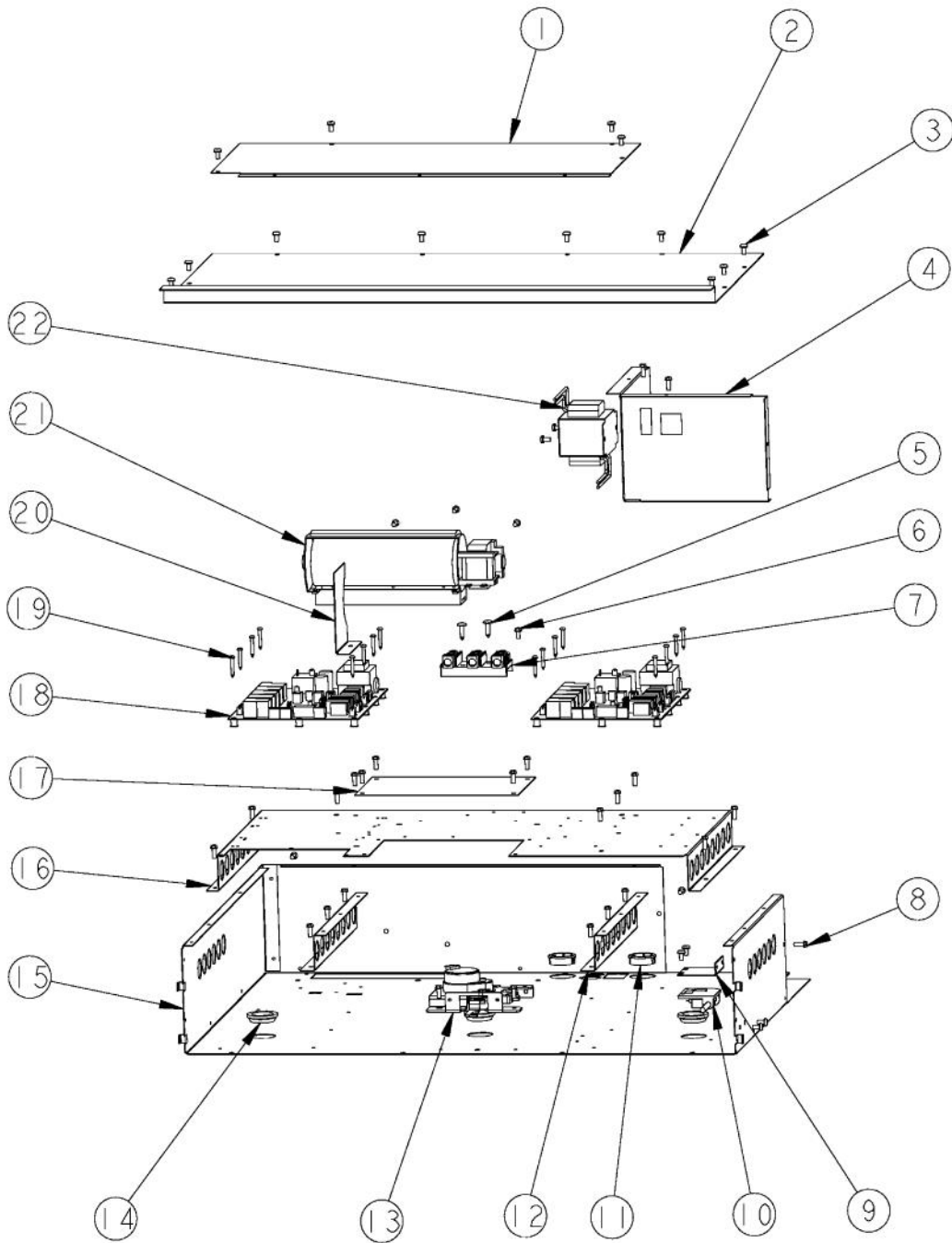
----- Manual continues below -----



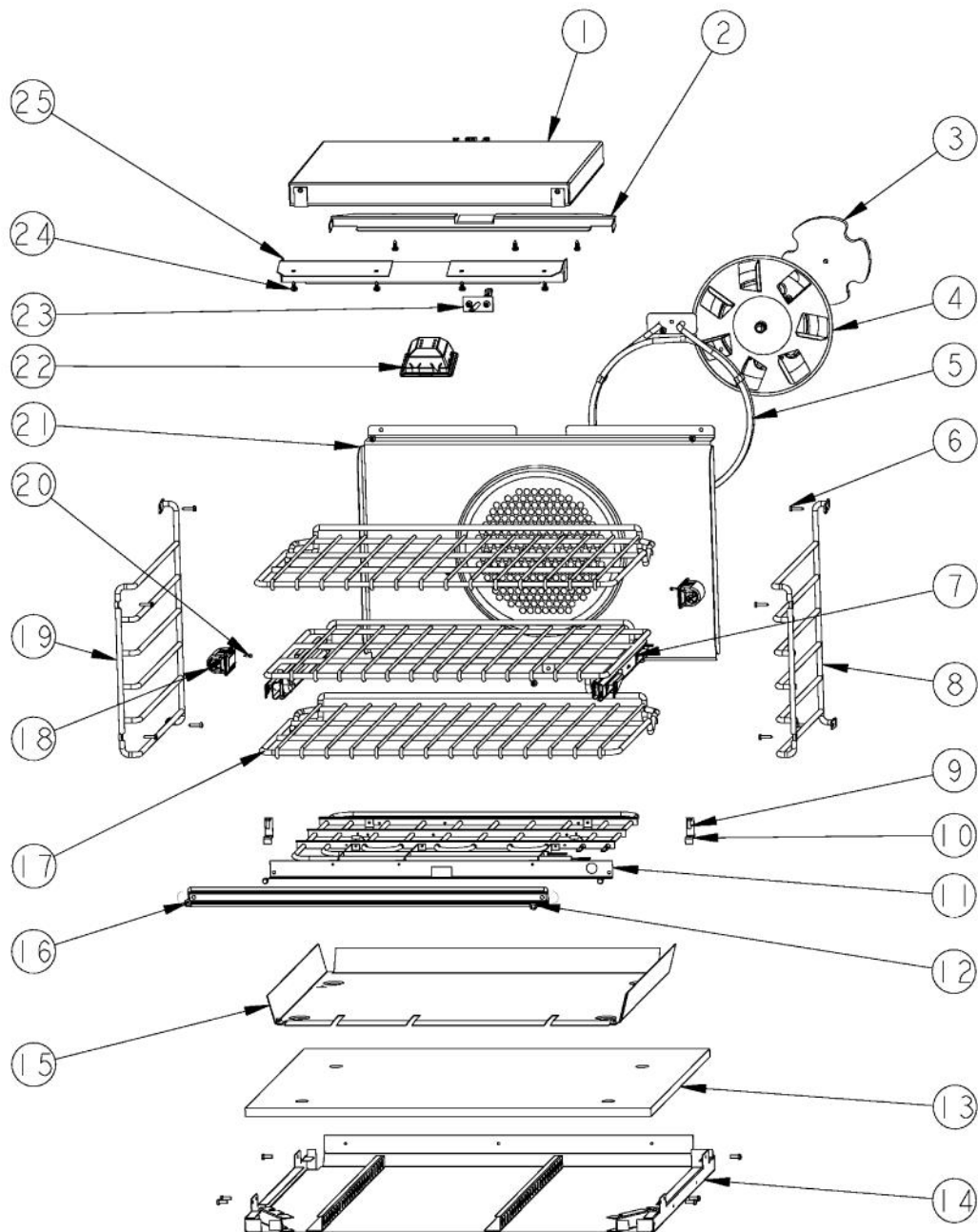
| Ref # | Part Number | Qty. | Description |
|-------|--------------|------|--|
| 1 | PD020013 | 2 | TYPE AB NO.6 X 3/8 PH PAN HD. SMS |
| 2 | A10014027 | 1 | 4 CAPACITOR BRACKET |
| 3 | PE050247 | 4 | EBM FAN MOTOR CAPACITOR |
| 4 | PD040164 | 4 | 5/16 INTERNAL TOOTH LOCK WASHER TYPE A |
| 5 | PD030172 | 4 | M8 X 1.25MM NUT |
| 6 | PD020004 | 17 | 10X3/8PH.HD.TYPE 25 REPL PD040125 |
| 7 | 002534-000 | 1 | PRO-TOUCH CONTROL PANEL BRACKET |
| 9 | 000818-000 | 1 | 30 DOUBLE CONTROL MTG PANEL |
| 10 | 000238-000 | 2 | TOUCH CONTROL MTG BRACKET |
| 11 | 002459-000 | 1 | PROFESSIONAL PREMIERE TOUCH CONTROL |
| 12 | 000816-000 | 1 | 30 J-MOLD (CHROME) |
| 13 | 002456-000BK | 1 | 30`` PROFESSIONAL CONTROL PNL - BK |
| 13 | 002456-000SS | 1 | 30`` PROFESSIONAL CONTROL PNL - SS |
| 13 | 002456-000WH | 1 | 30`` PROFESSIONAL CONTROL PNL - WH |
| 14 | C90014072BK | 1 | 30 INLET GRILL |
| 14 | C90014072WH | 1 | 30 INLET GRILLXWHX |
| 15 | PD040004 | 2 | GROMMET BUMPER |



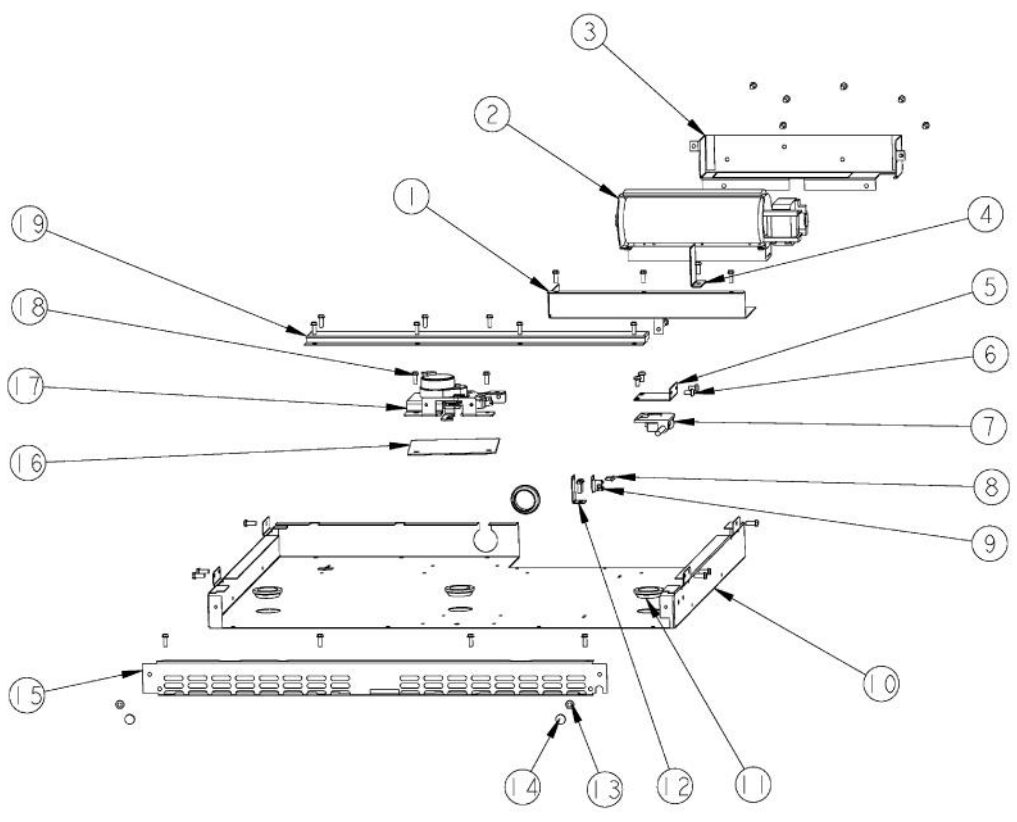
| Ref # | Part Number | Qty. | Description |
|-------|-------------|------|---|
| 1 | B20014050 | 1 | PREMIERE BROIL ELEMENT BRACKET FRONT |
| 2 | B20014051 | 1 | PREMIERE BROIL ELEMENT BRACKET REAR |
| 3 | PE050239 | 1 | HALOGEN LAMP |
| 4 | PE050206 | 1 | RTD THERMOSTAT PROBE |
| 5 | PD020055 | 15 | NO.10 X 1/2 PAN PHIL. TEK. SS |
| 6 | PJ010050 | 1 | SEALED BROIL ELEMENT W/GLASS |
| 7 | PB070312 | 1 | CONVECTION MOTOR MTG. PLATE INSULATION |
| 8 | G32014020 | 1 | CONVECTION FAN ASSY |
| 9 | PJ010047 | 1 | CONVECTION ELEMENT |
| 10 | PE050238 | 2 | 120 VOLT SIDE HALOGEN LIGHT |
| 11 | PB060103 | 1 | RACK SUPPORT RH |
| 12 | PD020013 | 2 | TYPE AB NO.6 X 3/8 PH PAN HD. SMS |
| 13 | PD020060 | 12 | 10 X 1/2 (5/16)HEX WSHR HD.(T)A |
| 14 | A2009696 | 2 | HOLDER, BAKE ELEMENT |
| 15 | PD020063 | 2 | SCREW-NO.8(A) X 3/8PH WFR HD/BK OXID |
| 16 | A20010932 | 1 | ELEMENT, MTG TRAY |
| 17 | A2009612 | 1 | ELEMENT, MTG TRAY |
| 18 | PJ010048 | 1 | BAKE ELEMENT |
| 19 | PB060105 | 3 | 27 OVEN RACK |
| 20 | PD020232 | 8 | NO.8 X 3/4 PH PAN HEAD TEK SCREW (BLACK OXIDE) |
| 21 | PB060104 | 1 | RACK SUPPORT LH |
| 22 | PD020013 | 2 | TYPE AB NO.6 X 3/8 PH PAN HD. SMS |
| 23 | PE050115 | 1 | MEAT PROBE JACK |
| 24 | PM010160 | 1 | MEAT PROBE JACK COVER |
| 25 | PE050114 | 1 | MEAT PROBE (DESO/DEDO) (SWITCHCRAFT'S PART NO. 4... |
| 26 | G91013597 | 1 | 27 BAFFLE ASSEMBLY |



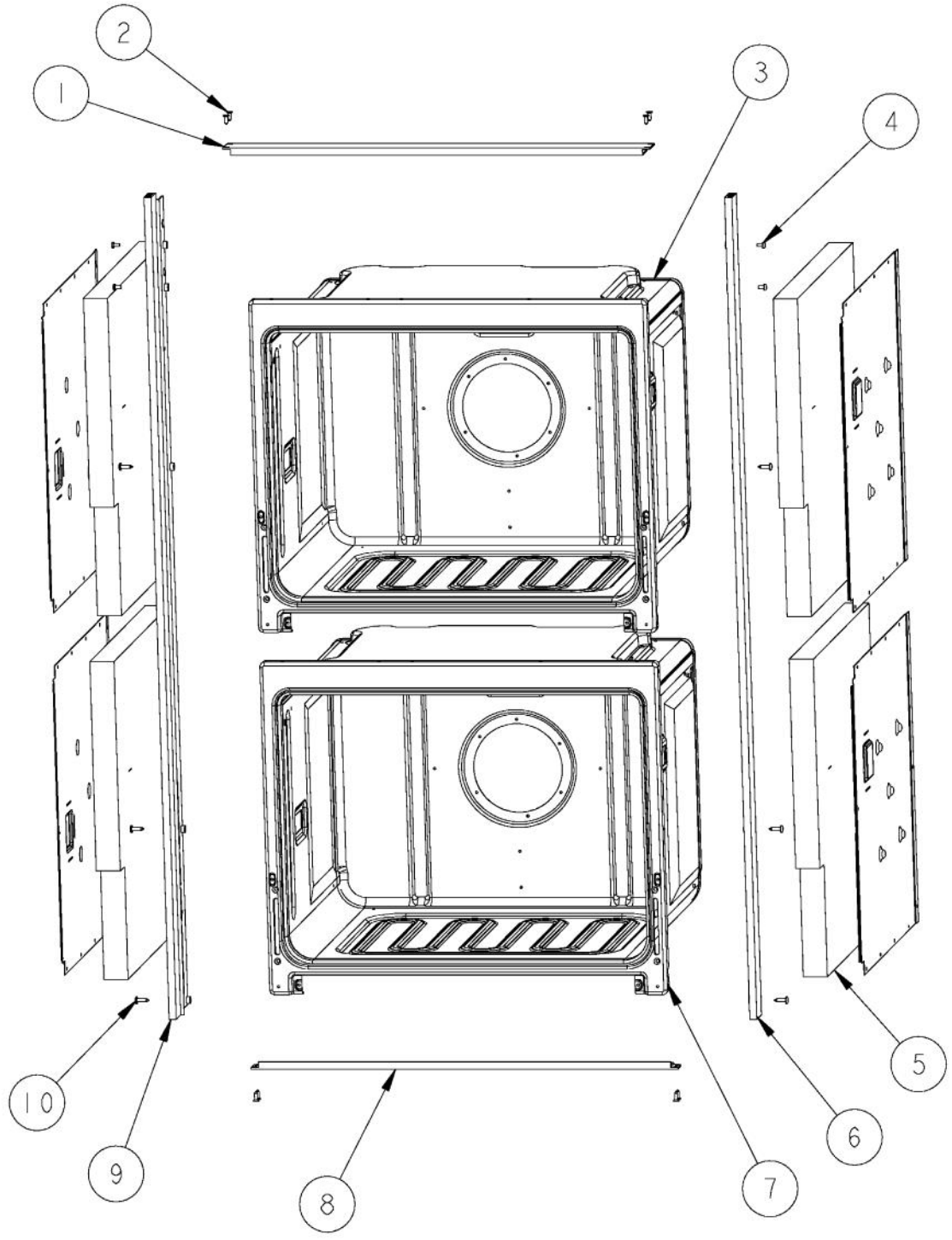
| Ref # | Part Number | Qty. | Description |
|-------|-------------|------|-----------------------------------|
| 1 | A20014047 | 1 | 27 REAR COVER |
| 2 | A20014046 | 1 | 27 FRONT COVER |
| 3 | PD020061 | N/A | NO.8 X 3/4 FLAT HD TEK. SS. |
| 4 | PD020014 | 2 | 10X3/4 PH TR HD SMS |
| 5 | PE070147 | 1 | TERMINAL BLOCK |
| 6 | PD020010 | 1 | 10 X 3/8 GREEN GROUNDING SCREW |
| 7 | PE050234 | 1 | RELAY BOARD |
| 8 | PD020004 | 24 | 10X3/8PH.HD.TYPE 25 REPL PD040125 |
| 9 | A20010934 | 1 | BRACKET, MODULE PAN |
| 10 | PD020060 | 23 | 10 X 1/2 (5/16)HEX WSHR HD.(T)A |
| 11 | PD020002 | 4 | 10 X 1/2 PH.TR.HD.SMS. |
| 12 | A20010910 | 2 | BRACKET, SUPPORT, ELECTRONICS HAT |
| 13 | PD040152 | 2 | SNAP BUSHING |
| 14 | PE050210 | 1 | DOOR LATCH |
| 15 | PB070079 | 2 | SILICONE EXTRUSION (DGSU) |
| 16 | A20010933 | N/A | MODULE PAN 27 |
| 17 | A20010935 | 1 | ELECTRONICS HAT |
| 18 | PE050233 | 2 | CONTROL BOARD |
| 19 | A10010911 | 1 | COVER, LATCH |
| 20 | PD020185 | 16 | NO.6 X 1 PAN HEAD SCREW |
| 21 | A2009667 | 1 | REAR AIR DIVIDER |
| 22 | PE050250 | 1 | PREMIUM BLOWER WITH HES |
| 23 | PE040279 | N/A | 27 DES. TOP TRIM |
| NI | A20012649 | 1 | DOOR SWITCH BRACKET |
| NI | PE050208 | 1 | DOOR SWITCH |



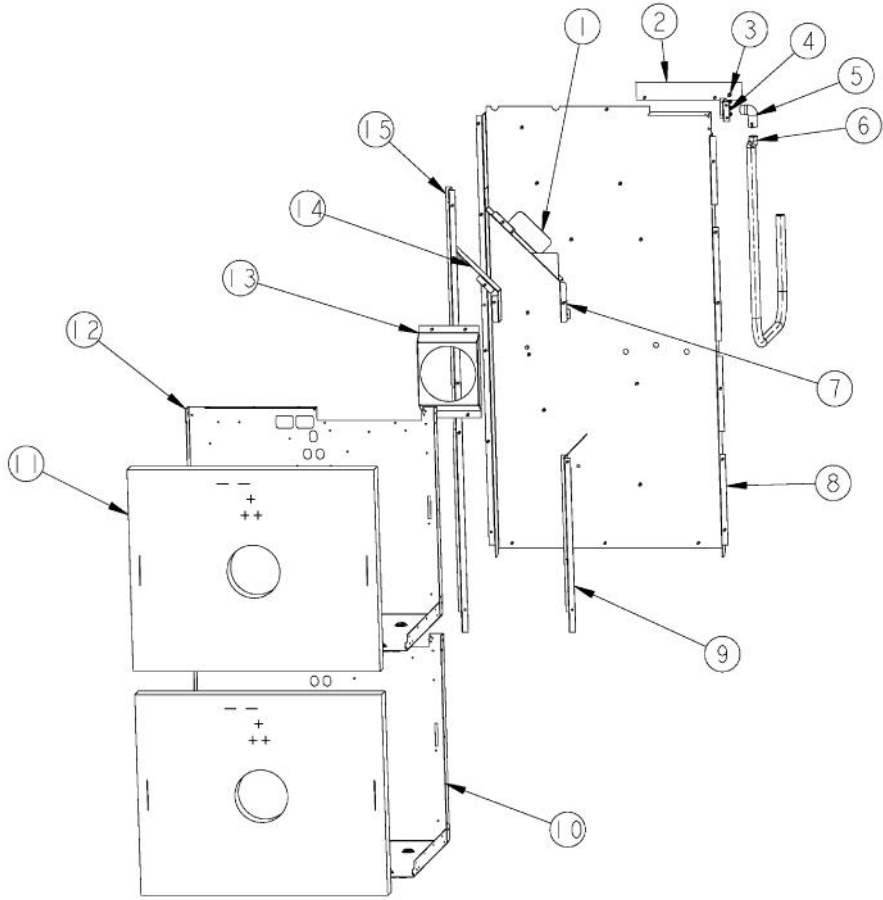
| Ref # | Part Number | Qty. | Description |
|-------|-------------|------|--|
| 1 | PJ010050 | 1 | SEALED BROIL ELEMENT W/GLASS |
| 2 | B20014051 | 1 | PREMIERE BROIL ELEMENT BRACKET REAR |
| 3 | PB070312 | 1 | CONVECTION MOTOR MTG. PLATE INSULATION |
| 4 | G32014020 | 1 | CONVECTION FAN ASSY |
| 5 | PJ010047 | 1 | CONVECTION ELEMENT |
| 6 | PD020232 | 8 | NO.8 X 3/4 PH PAN HEAD TEK SCREW (BLACK OXIDE) |
| 7 | PB060106 | 1 | 27 SLIDING OVEN RACK |
| 8 | PB060103 | 1 | RACK SUPPORT RH |
| 9 | PD020060 | 11 | 10 X 1/2 (5/16)HEX WSHR HD.(T)A |
| 10 | A2009696 | 2 | HOLDER, BAKE ELEMENT |
| 11 | PJ010048 | 1 | BAKE ELEMENT |
| 12 | PD020063 | 2 | SCREW-NO.8(A) X 3/8PH WFR HD/BK OXID |
| 13 | PB070300 | 1 | 27 BOTTOM INSULATION |
| 14 | G30010922 | 1 | BASE MODULE ASSY 27 |
| 15 | A20010932 | 1 | ELEMENT, MTG TRAY |
| 16 | E9109655 | 1 | BAKE TRAY COVER |
| 17 | PB060105 | 2 | 27 OVEN RACK |
| 18 | PE050238 | 2 | 120 VOLT SIDE HALOGEN LIGHT |
| 19 | PB060104 | 1 | RACK SUPPORT LH |
| 20 | PD020013 | 2 | TYPE AB NO.6 X 3/8 PH PAN HD. SMS |
| 21 | G91013597 | 1 | 27 BAFFLE ASSEMBLY |
| 22 | PE050239 | 1 | HALOGEN LAMP |
| 23 | PE050206 | 1 | RTD THERMOSTAT PROBE |
| 24 | PD020055 | 15 | NO.10 X 1/2 PAN PHIL. TEK. SS |
| 25 | B20014050 | 1 | PREMIERE BROIL ELEMENT BRACKET FRONT |



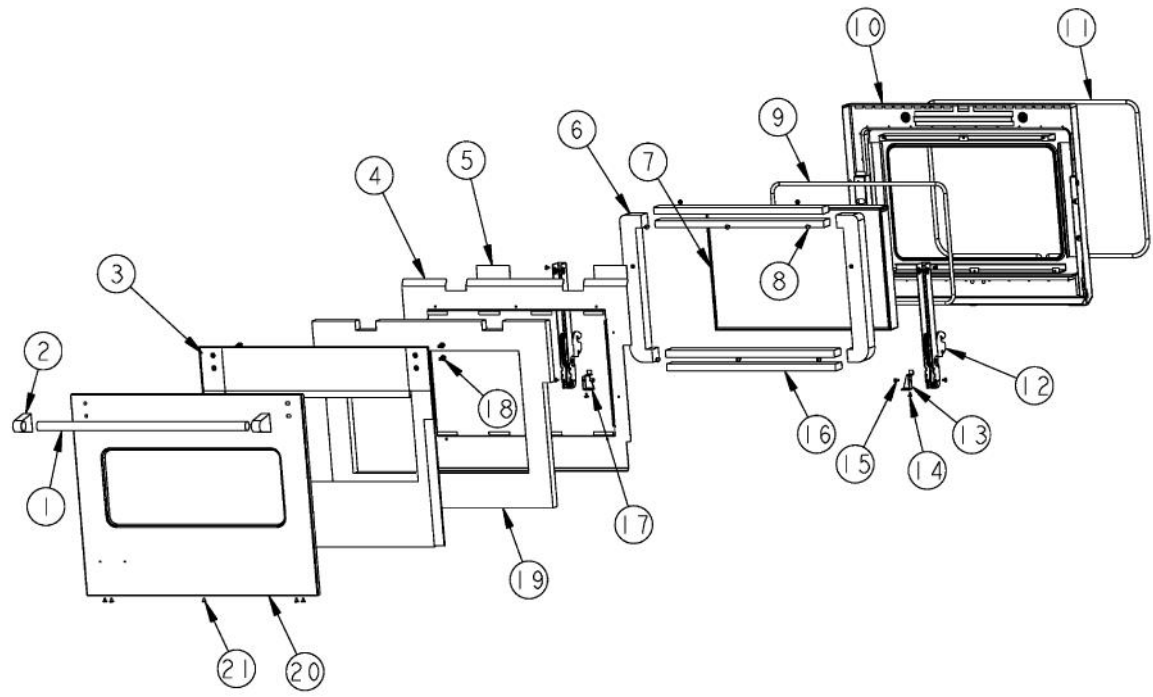
| Ref # | Part Number | Qty. | Description |
|-------|-----------------|------|--------------------------------------|
| 1 | A2009659 | 1 | BRACKET, FILLER, BLOWER |
| 2 | PE050250 | 1 | PREMIUM BLOWER WITH HES |
| 3 | A3009660 | 1 | BRACKET, BLOWER, DBL LOWER OVEN |
| 4 | A20014036 | 1 | BOTTOM BLOWER DIVIDER |
| 5 | A20012649 | 1 | DOOR SWITCH BRACKET |
| 6 | PD020004 | 4 | 10X3/8PH.HD.TYPE 25 REPL PD040125 |
| 7 | PE050208 | 1 | DOOR SWITCH |
| 8 | PD020063 | 2 | SCREW-NO.8(A) X 3/8PH WFR HD/BK OXID |
| 9 | PJ030039 | 1 | BI-METAL THERMOSTAT 275 DEGREES |
| 10 | NOT REPLACEABLE | N/A | OVEN CAVITY (NOT REPLACEABLE PART) |
| 11 | PB070079 | 4 | SILICONE EXTRUSION (DGSU) |
| 12 | A20014089 | 1 | DISC BRACKET |
| 13 | PD020013 | 2 | TYPE AB NO.6 X 3/8 PH PAN HD. SMS |
| 14 | PD040004 | 2 | GROMMET BUMPER |
| 15 | C90012803BK | 1 | INLET GRILL DBL LOWER OVEN 27 |
| 16 | PB070321 | 1 | LOWER LATCH INSULATION |
| 17 | PE050210 | 1 | DOOR LATCH |
| 18 | PD020060 | 28 | 10 X 1/2 (5/16)HEX WSHR HD.(T)A |
| 19 | A20012808 | 1 | CATALYST EXHAUST, MIDDLE MODULE |



| Ref # | Part Number | Qty. | Description |
|-------|-----------------|------|------------------------------------|
| 1 | PE040271 | 1 | 27 PROF. TOP TRIM |
| 2 | PD020045 | 8 | NO.8 X 1/2 PH FLAT TEK (ZINC) |
| 3 | NOT REPLACEABLE | N/A | OVEN CAVITY (NOT REPLACEABLE PART) |
| 4 | PD020004 | 4 | 10X3/8PH.HD.TYPE 25 REPL PD040125 |
| 5 | PB070302 | 5 | SIDE INSULATION |
| 6 | PE040277 | 1 | PROF. DOUBLE SIDE TRIM RH |
| 7 | NOT REPLACEABLE | N/A | OVEN CAVITY (NOT REPLACEABLE PART) |
| 8 | PE040272 | 1 | 27 PROF. BOTTOM TRIM |
| 9 | PE040278 | 1 | PROF. DOUBLE SIDE TRIM LH |
| 10 | PD020014 | 6 | 10X3/4 PH TR HD SMS |

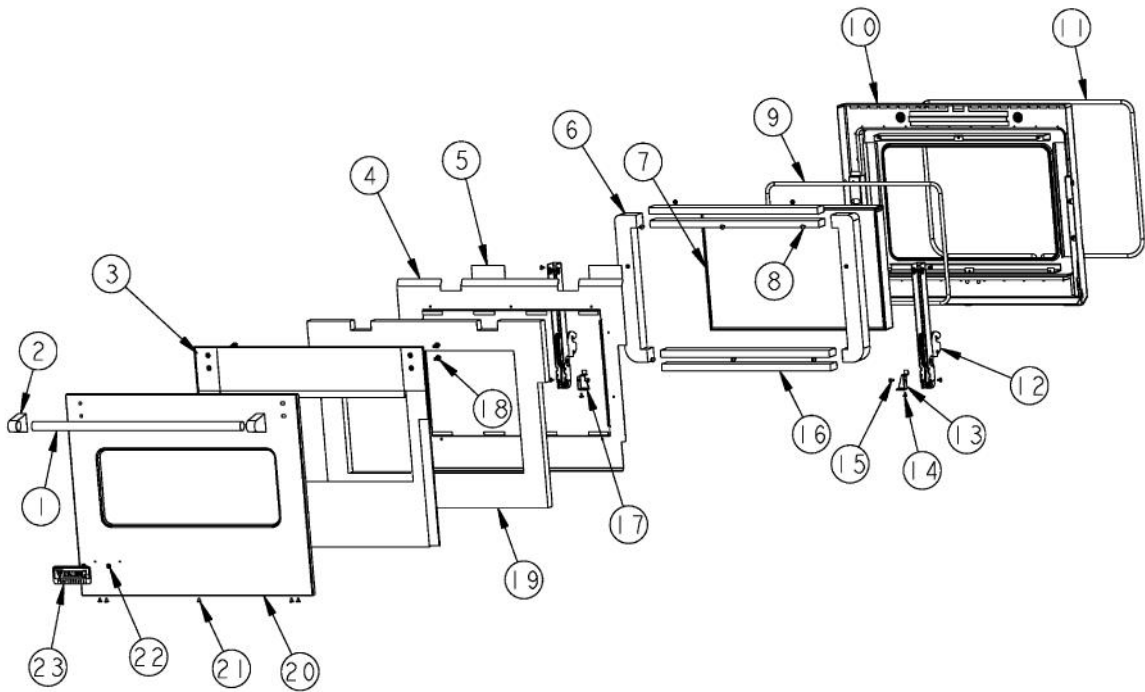


| Ref # | Part Number | Qty. | Description |
|-------|-----------------|------|------------------------------------|
| 1 | A20014052 | 1 | WIRE SHIELD |
| 2 | A10010907 | 1 | COVER, BLOWER |
| 3 | PD020060 | 43 | 10 X 1/2 (5/16)HEX WSHER HD.(T)A |
| 4 | A2009671 | 1 | BRACKET, POWER CABLE |
| 5 | PB040070 | 1 | CONDUIT FITTING (90 DEG) |
| 6 | PB020071 | 1 | CONDUIT - FLEXIBLE (48) |
| 7 | A21010918 | 1 | BRACKET, AIR, CONVECTION MOTOR |
| 8 | A20012807 | 1 | PANEL, REAR |
| 9 | A20012809 | 1 | REAR AIR DIVIDER, DBL, LOWER OVEN |
| 10 | NOT REPLACEABLE | N/A | OVEN CAVITY (NOT REPLACEABLE PART) |
| 11 | PB070301 | 2 | 27 BACK INSULATION |
| 12 | NOT REPLACEABLE | N/A | OVEN CAVITY (NOT REPLACEABLE PART) |
| 13 | A2009697 | 2 | BRACKET, CONVECTION INSULATION |
| 14 | A21010919 | 2 | BRACKET, AIR, CONVECTION MOTOR |
| 15 | A2009684 | 1 | REAR AIR DIVIDER, DOUBLE OVEN |



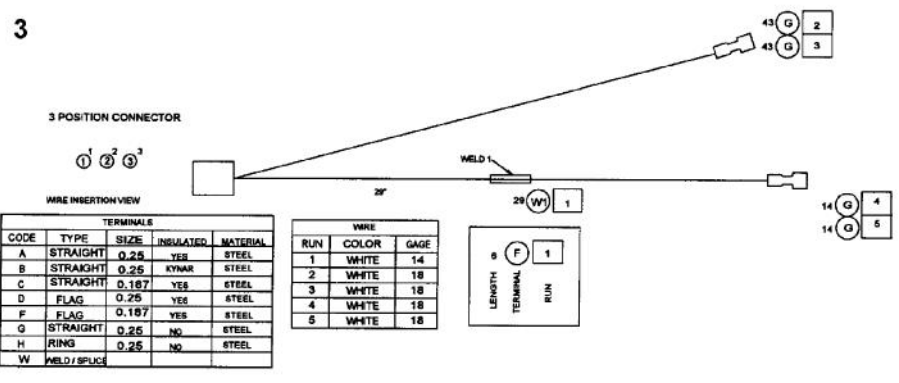
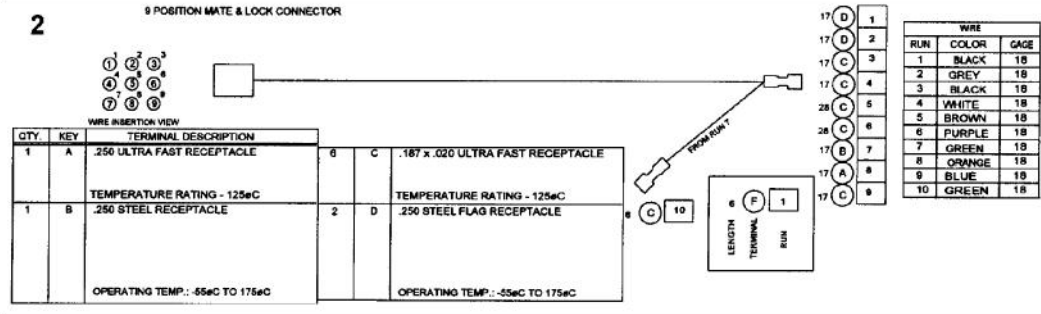
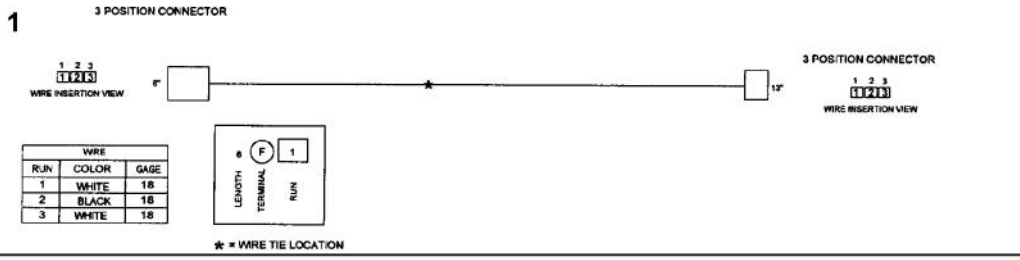
| Ref # | Part Number | Qty. | Description |
|-------|---------------|------|--|
| 1 | PE030178 | 1 | 27 PROF. DOOR HANDLE |
| 1 | PE030178PVD | 1 | 27 PROF. DOOR HANDLE XPVDX |
| 2 | PE030001 | 2 | BRACKET, DOOR, HANDLE |
| 2 | PE030001PVD | 2 | END CAP DOOR HANDLE XBR |
| 3 | 001501-000 | 1 | PRO 27" INSULATION RETAINER KIT (AFTER 7-17-06) |
| 4 | A20010949 | 1 | PANEL, INSULATION, INNNER DOOR |
| 5 | PB070336 | 1 | DOOR BRACKET INSULATION |
| 6 | PB070271 | 2 | DOOR PLUG INSULATION |
| 7 | PE060093 | 1 | 27 WINDOW PACK |
| 8 | PD020002 | 2 | 10 X 1/2 PH.TR.HD.SMS. |
| 9 | 000594-000 | 1 | BLACK FIBERGLASS ROPE 3/8 |
| 10 | G91010942 | 1 | DOOR LINER ASSEMBLY |
| 11 | PB070245 | 1 | 27 DOOR GASKET |
| 12 | PC020248 | 2 | DOOR HINGE |
| 13 | A20012640 | 1 | HINGE SUPPORT RH |
| 14 | PD020063 | 2 | SCREW-NO.8(A) X 3/8PH WFR HD/BK OXID |
| 15 | PD020004 | 6 | 10X3/8PH.HD.TYPE 25 REPL PD040125 |
| 16 | PB070273 | 4 | 27 WINDOW PACK INSULATION |
| 17 | A20012641 | 1 | HINGE SUPPORT LH |
| 18 | PD020186 | 4 | 1/4-20 X 3/4 HEX WASHER HEAD MS |
| 19 | PB020276 | 1 | TUBE DRAIN 3/8 X 46 AR 36 30 |
| 20 | PS500016AL | 1 | 27 PRO DOOR SKIN SVC KIT W/O LOGO AFTER 07/17/06 - AL |
| 20 | PS500016ALBR | 1 | 27 PRO DOOR SKIN SVC KIT W/O LOGO AFTER 07/17/06 - AL... |
| 20 | PS500016BK | 1 | 27 PRO DOOR SKIN SVC KIT W/O LOGO AFTER 07/17/06 - BK |
| 20 | PS500016BKBR | 1 | 27 PRO DOOR SKIN SVC KIT W/O LOGO AFTER 07/17/06 - B... |
| 20 | PS500016BT | 1 | 27 PRO DOOR SKIN SVC KIT W/O LOGO AFTER 07/17/06 -BT |
| 20 | PS500016BTBR | 1 | 27 PRO DOOR SKIN SVC KIT W/O LOGO AFTER 07/17/06 - B... |
| 20 | PS500016BU | 1 | 27 PRO DOOR SKIN SVC KIT W/O LOGO AFTER 07/17/06 -BU |
| 20 | PS500016BUBR | 1 | 27 PRO DOOR SKIN SVC KIT W/O LOGO AFTER 07/17/06 - B... |
| 20 | PS500016CB | 1 | 27 PRO DOOR SKIN SVC KIT W/O LOGO AFTER 07/17/06 - CB |
| 20 | PS500016CBBR | 1 | 27 PRO DOOR SKIN SVC KIT W/O LOGO AFTER 07/17/06 - C... |
| 20 | PS500016EP | 1 | 27 PRO DOOR SKIN SVC KIT W/O LOGO AFTER 07/17/06 -EP |
| 20 | PS500016EPBR | 1 | 27 PRO DOOR SKIN SVC KIT W/O LOGO AFTER 07/17/06 - E... |
| 20 | PS500016FG | 1 | 27 PRO DOOR SKIN SERVICE KIT W/O LOGO AFTER 07/17/0... |
| 20 | PS500016FGBR | 1 | 27 PRO DOOR SKIN SERVICE KIT W/O LOGO AFTER 07/17/0... |
| 20 | PS500016GG | 1 | 27 PRO DOOR SKIN SERVICE KIT W/O LOGO AFTER 07/17/0... |
| 20 | PS500016GGBR | 1 | 27 PRO DOOR SKIN SERVICE KIT W/O LOGO AFTER 07/17/0... |
| 20 | PS500016LE | 1 | 27 PRO DOOR SKIN SERVICE KIT W/O LOGO AFTER 07/17/0... |
| 20 | PS500016LEBR | 1 | 27 PRO DOOR SKIN SERVICE KIT W/O LOGO AFTER 07/17/0... |
| 20 | PS500016MJ | 1 | 27 PRO DOOR SKIN SERVICE KIT W/O LOGO AFTER 07/17/0... |
| 20 | PS500016MJBR | 1 | 27 PRO DOOR SKIN SERVICE KIT W/O LOGO AFTER 07/17/0... |
| 20 | PS500016SG | 1 | 27 PRO DOOR SKIN SERVICE KIT W/O LOGO AFTER 07/17/0... |
| 20 | PS500016SGBR | 1 | 27 PRO DOOR SKIN SERVICE KIT W/O LOGO AFTER 07/17/0... |
| 20 | PS500016SS | 1 | 27 PRO DOOR SKIN SERVICE KIT W/O LOGO AFTER 07/17/0... |
| 20 | PS500016SSBR | 1 | 27 PRO DOOR SKIN SERVICE KIT W/O LOGO AFTER 07/17/0... |
| 20 | PS500016VB | 1 | 27 PRO DOOR SKIN SERVICE KIT W/O LOGO AFTER 07/17/0... |
| 20 | PS500016VBBR | 1 | 27 PRO DOOR SKIN SERVICE KIT W/O LOGO AFTER 07/17/0... |
| 20 | PS500016WH | 1 | 27 PRO DOOR SKIN SERVICE KIT W/O LOGO AFTER 07/17/0... |
| 20 | PS500016WHBR | 1 | 27 PRO DOOR SKIN SERVICE KIT W/O LOGO AFTER 07/17/0... |
| 21 | PD020032 | 5 | SRW-8(A)X3/8PH.WFR HD 7/16DIAXNICL |
| NI | G32012720AL | 1 | 27 DOOR ASSY W/O LOGO XALX |
| NI | G32012720ALBR | 1 | 27 DOOR ASSY W/O LOGO XALBRX |
| NI | G32012720BK | 1 | 27 DOOR ASSY W/O LOGO XBKX |
| NI | G32012720BKBR | 1 | 27 DOOR ASSY W/O LOGO XBKBRX |
| NI | G32012720BT | 1 | 27 DOOR ASSY W/O LOGO XBTX |
| NI | G32012720BTBR | 1 | 27 DOOR ASSY W/O LOGO XBTBRX |
| NI | G32012720BU | 1 | 27 DOOR ASSY W/O LOGO XBUX |
| NI | G32012720BUBR | 1 | 27 DOOR ASSY W/O LOGO XBUBRX |
| NI | G32012720CB | 1 | 27 DOOR ASSY W/O LOGO XCBX |
| NI | G32012720CBBR | 1 | 27 DOOR ASSY W/O LOGO XCBBRX |

| Ref # | Part Number | Qty. | Description |
|-------|---------------|------|------------------------------|
| NI | G32012720CBBR | 1 | 27 DOOR ASSY W/O LOGO XCBBRX |
| NI | G32012720EP | 1 | 27 DOOR ASSY W/O LOGO XEPX |
| NI | G32012720EPBR | 1 | 27 DOOR ASSY W/O LOGO XEPBRX |
| NI | G32012720FG | 1 | 27 DOOR ASSY W/O LOGO XFGX |
| NI | G32012720FGBR | 1 | 27 DOOR ASSY W/O LOGO XFGBRX |
| NI | G32012720GG | 1 | 27 DOOR ASSY W/O LOGO XGGX |
| NI | G32012720GGBR | 1 | 27 DOOR ASSY W/O LOGO XGGBRX |
| NI | G32012720LE | 1 | 27 DOOR ASSY W/O LOGO XLEX |
| NI | G32012720LEBR | 1 | 27 DOOR ASSY W/O LOGO XLEBRX |
| NI | G32012720MJ | 1 | 27 DOOR ASSY W/O LOGO XMJX |
| NI | G32012720MJBR | 1 | 27 DOOR ASSY W/O LOGO XMJBRX |
| NI | G32012720SG | 1 | 27 DOOR ASSY W/O LOGO XSGX |
| NI | G32012720SGBR | 1 | 27 DOOR ASSY W/O LOGO XSGBRX |
| NI | G32012720SS | 1 | 27 DOOR ASSY W/O LOGO |
| NI | G32012720SSBR | 1 | 27 DOOR ASSY W/O LOGO XSSBRX |
| NI | G32012720VB | 1 | 27 DOOR ASSY W/O LOGO XVBX |
| NI | G32012720VBBR | 1 | 27 DOOR ASSY W/O LOGO XVBBRX |
| NI | G32012720WH | 1 | 27 DOOR ASSY W/O LOGO XWHX |
| NI | G32012720WHBR | 1 | 27 DOOR ASSY W/O LOGO XWHBRX |
| NI | 017736-000 | 1 | WINDOW PACK INSULATION KIT |

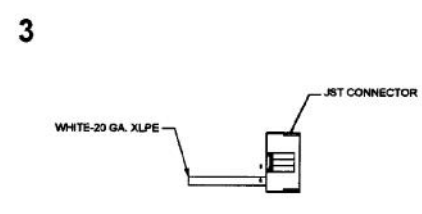
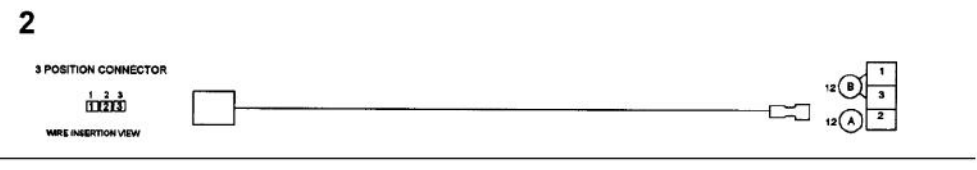
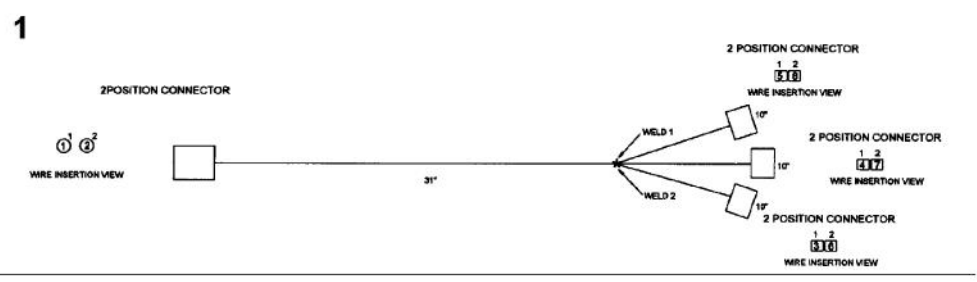


| Ref # | Part Number | Qty. | Description |
|-------|---------------|------|---|
| 1 | PE030178 | 1 | 27 PROF. DOOR HANDLE |
| 1 | PE030178PVD | 1 | 27 PROF. DOOR HANDLE XPVDX |
| 2 | PE030001 | 2 | BRACKET, DOOR, HANDLE |
| 2 | PE030001PVD | 2 | END CAP DOOR HANDLE XBR |
| 3 | 001501-000 | 1 | PRO 27" INSULATION RETAINER KIT (AFTER 7-17-06) |
| 4 | A20010949 | 1 | PANEL, INSULATION, INNER DOOR |
| 5 | PB070336 | 1 | DOOR BRACKET INSULATION |
| 6 | PB070271 | 6 | DOOR PLUG INSULATION |
| 7 | PE060093 | 1 | 27 WINDOW PACK |
| 8 | PD020002 | 8 | 10 X 1/2 PH.TR.HD.SMS. |
| 9 | 000594-000 | 1 | BLACK FIBERGLASS ROPE 3/8 |
| 10 | G91010942 | 1 | DOOR LINER ASSEMBLY |
| 11 | PB070245 | 1 | 27 DOOR GASKET |
| 12 | PC020248 | 2 | DOOR HINGE |
| 13 | A20012640 | 1 | HINGE SUPPORT RH |
| 14 | PD020063 | 2 | SCREW-NO.8(A) X 3/8PH WFR HD/BK OXID |
| 15 | PD020004 | 6 | 10X3/8PH.HD.TYPE 25 REPL PD040125 |
| 16 | PB070273 | 4 | 27 WINDOW PACK INSULATION |
| 17 | A20012641 | 1 | HINGE SUPPORT LH |
| 18 | PD020186 | 4 | 1/4-20 X 3/4 HEX WASHER HEAD MS |
| 19 | PB070276 | 1 | 27 DOOR INSULATION |
| 20 | PS500014AL | 1 | 27 PRO DOOR SKIN SERVICE KIT W/LOGO AFTER 07/17/06 -... |
| 20 | PS500014ALBR | 1 | 27 PRO DOOR SKIN SERVICE KIT W/LOGO AFTER 07/17/06 -... |
| 20 | PS500014BK | 1 | 27 PRO DOOR SKIN SERVICE KIT W/LOGO AFTER 07/17/06 -... |
| 20 | PS500014BKBR | 1 | 27 PRO DOOR SKIN SERVICE KIT W/LOGO AFTER 07/17/06 -... |
| 20 | PS500014BT | 1 | 27 PRO DOOR SKIN SERVICE KIT W/LOGO AFTER 07/17/06 -... |
| 20 | PS500014BTBR | 1 | 27 PRO DOOR SKIN SERVICE KIT W/LOGO AFTER 07/17/06 -... |
| 20 | PS500014BU | 1 | 27 PRO DOOR SKIN SERVICE KIT W/LOGO AFTER 07/17/06 -... |
| 20 | PS500014BUBR | 1 | 27 PRO DOOR SKIN SERVICE KIT W/LOGO AFTER 07/17/06 -... |
| 20 | PS500014CB | 1 | 27 PRO DOOR SKIN SERVICE KIT W/LOGO AFTER 07/17/06 -... |
| 20 | PS500014CBBR | 1 | 27 PRO DOOR SKIN SERVICE KIT W/LOGO AFTER 07/17/06 -... |
| 20 | PS500014EP | 1 | 27 PRO DOOR SKIN SERVICE KIT W/LOGO AFTER 07/17/06 -... |
| 20 | PS500014EPBR | 1 | 27 PRO DOOR SKIN SERVICE KIT W/LOGO AFTER 07/17/06 -... |
| 20 | PS500014FG | 1 | 27 PRO DOOR SKIN SERVICE KIT W/LOGO AFTER 07/17/06 -... |
| 20 | PS500014FGBR | 1 | 27 PRO DOOR SKIN SERVICE KIT W/LOGO AFTER 07/17/06 -... |
| 20 | PS500014GG | 1 | 27 PRO DOOR SKIN SERVICE KIT W/LOGO AFTER 07/17/06 -... |
| 20 | PS500014GGBR | 1 | 27 PRO DOOR SKIN SERVICE KIT W/LOGO AFTER 07/17/06 -... |
| 20 | PS500014LE | 1 | 27 PRO DOOR SKIN SERVICE KIT W/LOGO AFTER 07/17/06 -... |
| 20 | PS500014LEBR | 1 | 27 PRO DOOR SKIN SERVICE KIT W/LOGO AFTER 07/17/06 -... |
| 20 | PS500014MJ | 1 | 27 PRO DOOR SKIN SERVICE KIT W/LOGO AFTER 07/17/06 -... |
| 20 | PS500014MJBR | 1 | 27 PRO DOOR SKIN SERVICE KIT W/LOGO AFTER 07/17/06 -... |
| 20 | PS500014SG | 1 | 27 PRO DOOR SKIN SERVICE KIT W/LOGO AFTER 07/17/06 -... |
| 20 | PS500014SGBR | 1 | 27 PRO DOOR SKIN SERVICE KIT W/LOGO AFTER 07/17/06 -... |
| 20 | PS500014SS | 1 | 27 PRO DOOR SKIN SERVICE KIT W/LOGO AFTER 07/17/06 -... |
| 20 | PS500014SSBR | 1 | 27 PRO DOOR SKIN SERVICE KIT W/LOGO AFTER 07/17/06 -... |
| 20 | PS500014VB | 1 | 27 PRO DOOR SKIN SERVICE KIT W/LOGO AFTER 07/17/06 -... |
| 20 | PS500014VBBR | 1 | 27 PRO DOOR SKIN SERVICE KIT W/LOGO AFTER 07/17/06 -... |
| 20 | PS500014WH | 1 | 27 PRO DOOR SKIN SERVICE KIT W/LOGO AFTER 07/17/06 -... |
| 20 | PS500014WHBR | 1 | 27 PRO DOOR SKIN SERVICE KIT W/LOGO AFTER 07/17/06 -... |
| 21 | PD020032 | 5 | SRW-8(A)X3/8PH.WFR HD 7/16DIAXNICL |
| 22 | PD030006 | 2 | CAPPED WASHER PAL NUT |
| 23 | PE010016 | 1 | NAMEPLATE, LOGO, PRO |
| 23 | PE010017 | 1 | LOGO (VGSO,VEDO,VGDO,VUD) XWH/CHR |
| 23 | PE010079 | 1 | 4.5 LOGO/VIKING PROF, BK/BR |
| 23 | PE010080 | 1 | 4.5 LOGO/VIKING PROF XWH/BR |
| NI | G32012719AL | 1 | 27 DOOR ASSY W/LOGO XALX |
| NI | G32012719ALBR | 1 | 27 DOOR ASSY W/LOGO XALBRX |
| NI | G32012719BK | 1 | 27 DOOR ASSY W/LOGO XBKX |
| NI | G32012719BKBR | 1 | 27 DOOR ASSY W/LOGO XBKBRX |
| NI | G32012719BT | 1 | 27 DOOR ASSY W/LOGO XBTX |

| Ref # | Part Number | Qty. | Description |
|-------|---------------|------|----------------------------|
| NI | G32012719BT | 1 | 27 DOOR ASSY W/LOGO XBTX |
| NI | G32012719BTBR | 1 | 27 DOOR ASSY W/LOGO XBTBRX |
| NI | G32012719BU | 1 | 27 DOOR ASSY W/LOGO XBUX |
| NI | G32012719BUBR | 1 | 27 DOOR ASSY W/LOGO XBUBRX |
| NI | G32012719CB | 1 | 27 DOOR ASSY W/LOGO XCBX |
| NI | G32012719CBBR | 1 | 27 DOOR ASSY W/LOGO XCBBRX |
| NI | G32012719EP | 1 | 27 DOOR ASSY W/LOGO XEPX |
| NI | G32012719EPBR | 1 | 27 DOOR ASSY W/LOGO XEPBRX |
| NI | G32012719FG | 1 | 27 DOOR ASSY W/LOGO XFGX |
| NI | G32012719FGBR | 1 | 27 DOOR ASSY W/LOGO XFGBRX |
| NI | G32012719GG | 1 | 27 DOOR ASSY W/LOGO XGGX |
| NI | G32012719GGBR | 1 | 27 DOOR ASSY W/LOGO XGGBRX |
| NI | G32012719LE | 1 | 27 DOOR ASSY W/LOGO XLEX |
| NI | G32012719LEBR | 1 | 27 DOOR ASSY W/LOGO XLEBRX |
| NI | G32012719MJ | 1 | 27 DOOR ASSY W/LOGO XMJX |
| NI | G32012719MJBR | 1 | 27 DOOR ASSY W/LOGO XMJBRX |
| NI | G32012719SG | 1 | 27 DOOR ASSY W/LOGO XSGX |
| NI | G32012719SGBR | 1 | 27 DOOR ASSY W/LOGO XSGBRX |
| NI | G32012719SS | 1 | 27 DOOR ASSY W/LOGO |
| NI | G32012719SSBR | 1 | 27 DOOR ASSY W/LOGO XSSBRX |
| NI | G32012719VB | 1 | 27 DOOR ASSY W/LOGO XVBX |
| NI | G32012719VBBR | 1 | 27 DOOR ASSY W/LOGO XVBBRX |
| NI | G32012719WH | 1 | 27 DOOR ASSY W/LOGO XWHX |
| NI | G32012719WHBR | 1 | 27 DOOR ASSY W/LOGO XWHBRX |
| NI | 017736-000 | 1 | WINDOW PACK INSULATION KIT |

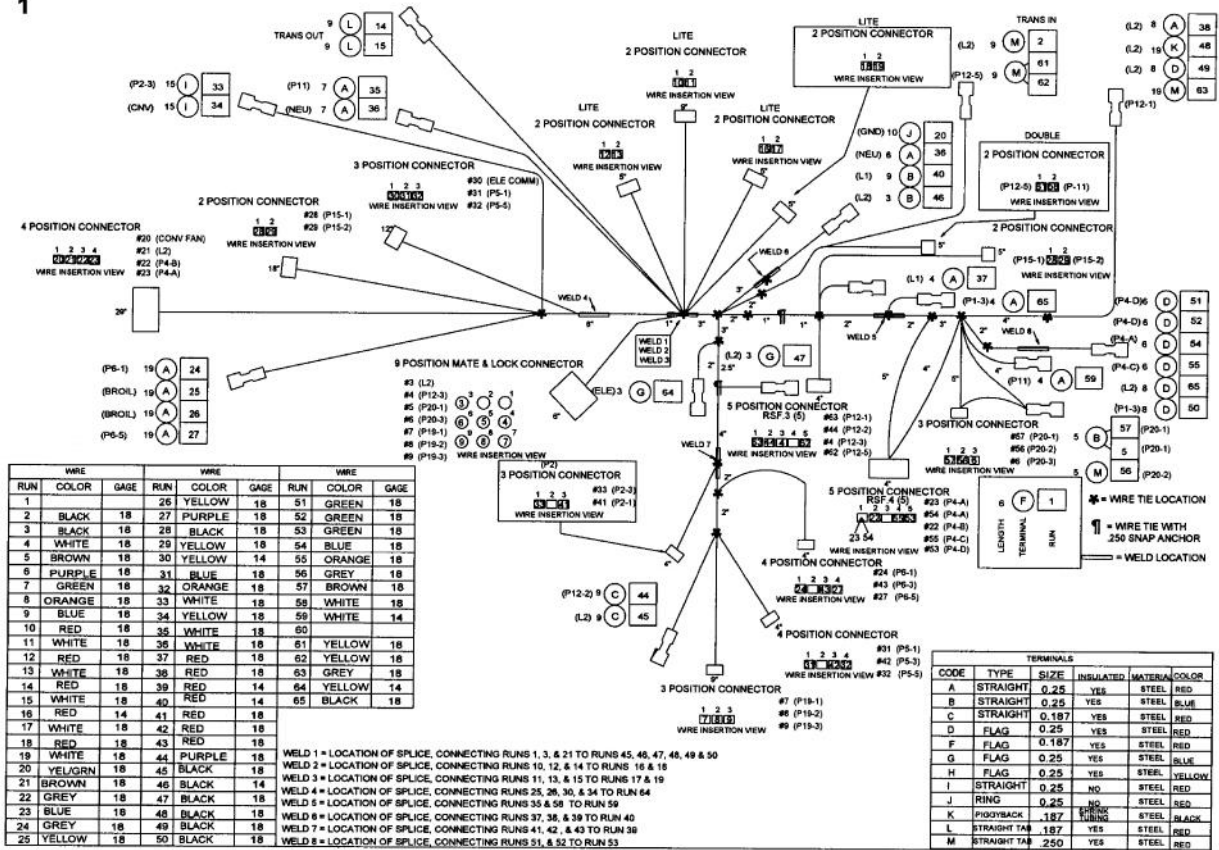


| Ref # | Part Number | Qty. | Description |
|-------|-------------|------|------------------------------------|
| 1 | PE070738 | 1 | T/STAT-SEL HARNESS |
| NI | PE070733 | 1 | UPPER LATCH HARNESS |
| NI | PE070739 | 1 | BAKE ELEMENT HARNESS |
| NI | G4005496 | 1 | SUPPLY WIRE - 100 BK 10GA SO/DO |
| NI | G4005497 | 1 | SUPPLY WIRE - 100 GREEN 10GA SO/DO |
| NI | G4005499 | 1 | SUPPLY WIRE - 100 RED 10GA SO/DO |
| NI | G4005494 | 1 | SUPPLY WIRE - 75 WH 12 GA SO/DO |



| Ref # | Part Number | Qty. | Description |
|-------|-------------|------|----------------------|
| 1 | PE070741 | 1 | LOWER LIGHT HARNESS |
| 2 | PE070744 | 1 | DOUBLE CLOCK HARNESS |
| 3 | PE070795 | 1 | 10 POSITION 27 L.O. |

1

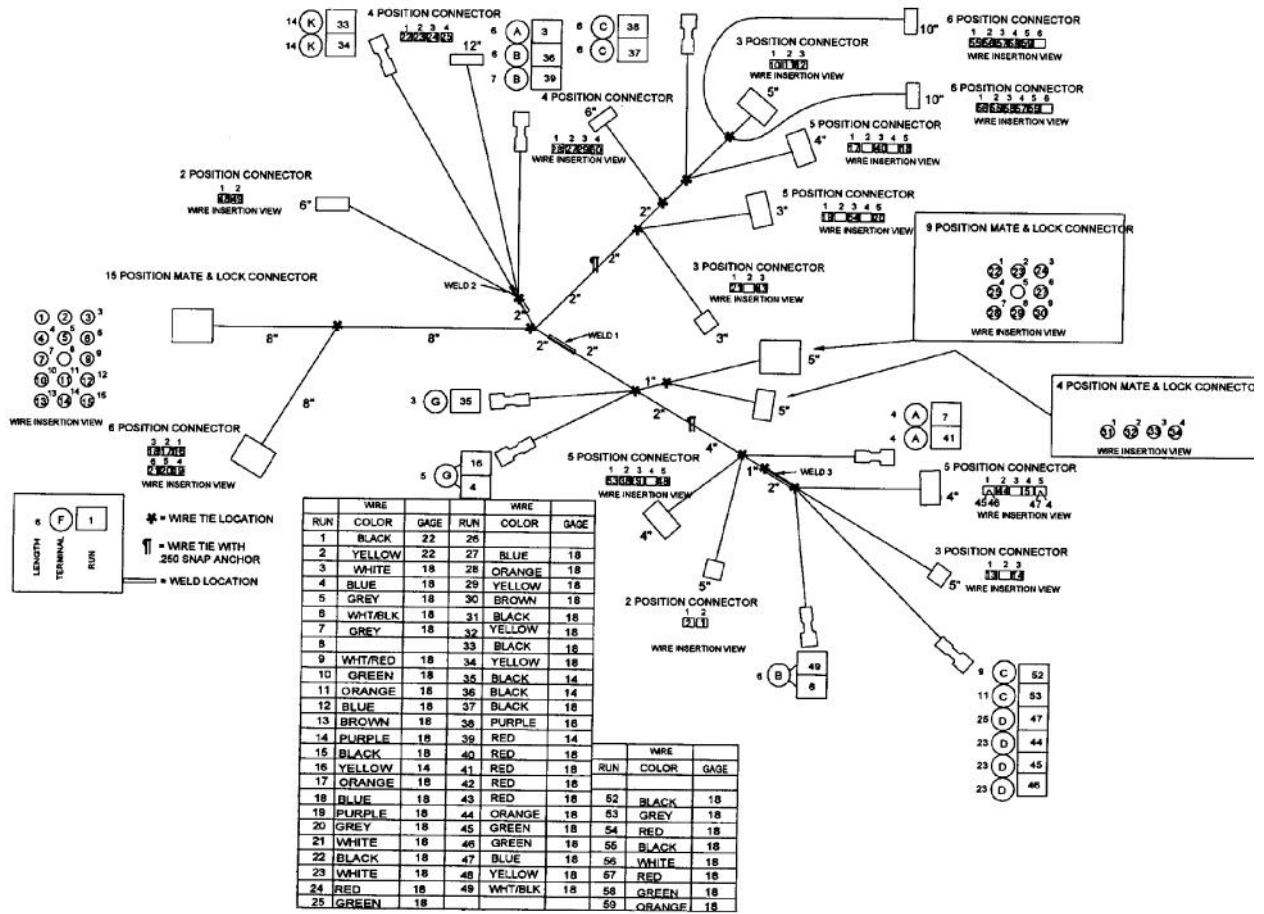


| WIRE | WIRE | WIRE | WIRE | WIRE | WIRE | WIRE | WIRE | |
|------|--------|------|------|--------|------|------|--------|------|
| RUN | COLOR | GAGE | RUN | COLOR | GAGE | RUN | COLOR | GAGE |
| 1 | | | 25 | YELLOW | 18 | 51 | GREEN | 18 |
| 2 | BLACK | 18 | 27 | PURPLE | 18 | 52 | GREEN | 18 |
| 3 | BLACK | 18 | 28 | BLACK | 18 | 53 | GREEN | 18 |
| 4 | WHITE | 18 | 29 | YELLOW | 18 | 54 | BLUE | 18 |
| 5 | BROWN | 18 | 30 | YELLOW | 14 | 55 | ORANGE | 18 |
| 6 | PURPLE | 18 | 31 | BLUE | 18 | 56 | GREY | 18 |
| 7 | PURPLE | 18 | 32 | ORANGE | 18 | 57 | BROWN | 18 |
| 8 | ORANGE | 18 | 33 | WHITE | 18 | 58 | WHITE | 18 |
| 9 | BLUE | 18 | 34 | YELLOW | 18 | 59 | WHITE | 14 |
| 10 | RED | 18 | 36 | WHITE | 18 | 60 | | |
| 11 | WHITE | 18 | 36 | WHITE | 18 | 61 | YELLOW | 18 |
| 12 | RED | 18 | 37 | RED | 18 | 62 | YELLOW | 18 |
| 13 | WHITE | 18 | 38 | RED | 18 | 63 | GREY | 18 |
| 14 | RED | 18 | 39 | RED | 14 | 64 | YELLOW | 14 |
| 15 | WHITE | 18 | 40 | RED | 14 | 65 | BLACK | 18 |
| 16 | RED | 14 | 41 | RED | 18 | | | |
| 17 | WHITE | 18 | 42 | RED | 18 | | | |
| 18 | RED | 18 | 43 | RED | 18 | | | |
| 19 | WHITE | 18 | 44 | PURPLE | 18 | | | |
| 20 | YELLOW | 18 | 45 | BLACK | 18 | | | |
| 21 | BROWN | 18 | 46 | BLACK | 14 | | | |
| 22 | GREY | 18 | 47 | BLACK | 18 | | | |
| 23 | BLUE | 18 | 48 | BLACK | 18 | | | |
| 24 | GREY | 18 | 49 | BLACK | 18 | | | |
| 25 | YELLOW | 18 | 50 | BLACK | 18 | | | |

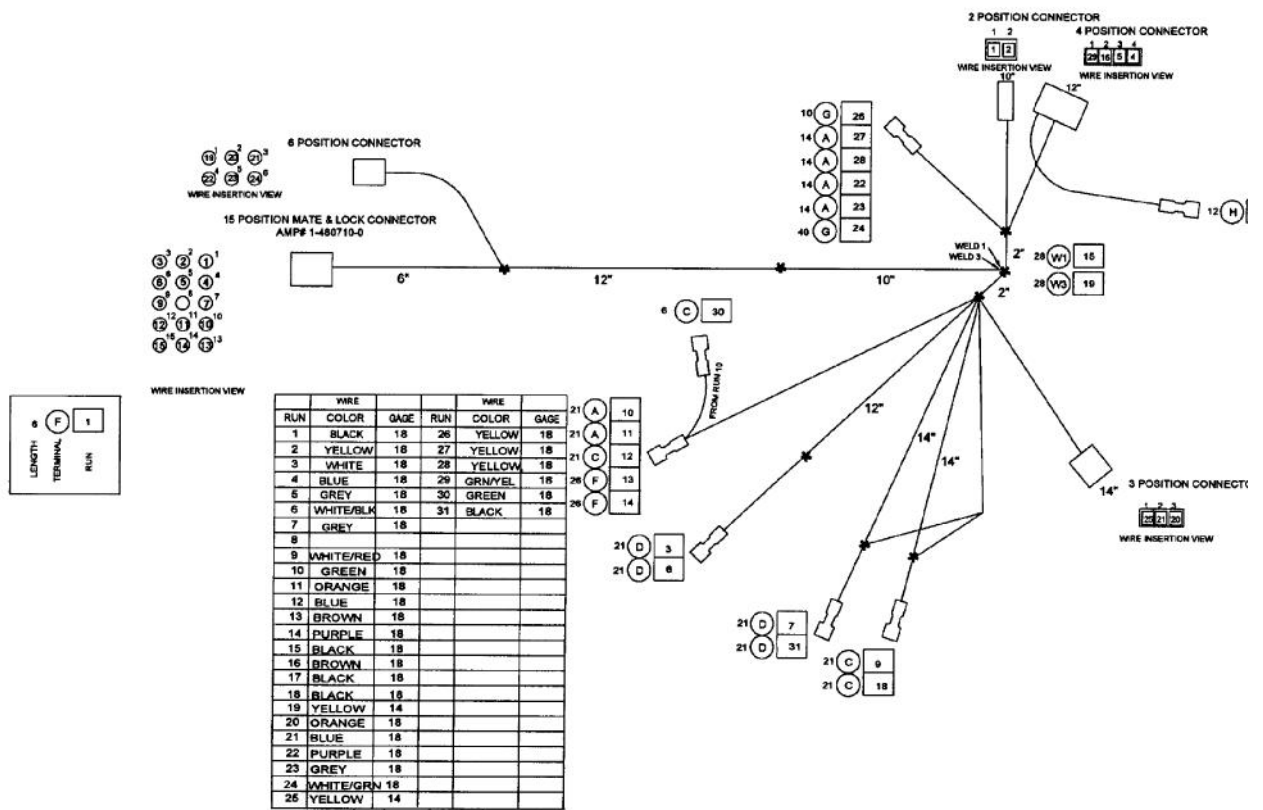
WELD 1 = LOCATION OF SPLICE, CONNECTING RUNS 1, 3, & 21 TO RUNS 45, 46, 47, 48, 49 & 50
 WELD 2 = LOCATION OF SPLICE, CONNECTING RUNS 10, 13, & 14 TO RUNS 16 & 18
 WELD 3 = LOCATION OF SPLICE, CONNECTING RUNS 11, 13, & 15 TO RUNS 17 & 19
 WELD 4 = LOCATION OF SPLICE, CONNECTING RUNS 25, 26, 30, & 34 TO RUN 64
 WELD 5 = LOCATION OF SPLICE, CONNECTING RUNS 35 & 58 TO RUN 59
 WELD 6 = LOCATION OF SPLICE, CONNECTING RUNS 37, 38, & 39 TO RUN 40
 WELD 7 = LOCATION OF SPLICE, CONNECTING RUNS 41, 42, & 43 TO RUN 38
 WELD 8 = LOCATION OF SPLICE, CONNECTING RUNS 51, & 52 TO RUN 53

| CODE | TYPE | SIZE | INSULATED | MATERIAL | COLOR |
|------|--------------|-------|-----------|----------|--------|
| A | STRAIGHT | 0.25 | YES | STEEL | RED |
| B | STRAIGHT | 0.25 | YES | STEEL | BLUE |
| C | STRAIGHT | 0.187 | YES | STEEL | RED |
| D | FLAG | 0.25 | YES | STEEL | RED |
| F | FLAG | 0.187 | YES | STEEL | RED |
| G | FLAG | 0.25 | YES | STEEL | BLUE |
| H | FLAG | 0.25 | YES | STEEL | YELLOW |
| I | STRAIGHT | 0.25 | NO | STEEL | RED |
| J | RING | 0.25 | NO | STEEL | RED |
| K | PIGGYBACK | 187 | NO | STEEL | BLACK |
| L | STRAIGHT TAB | 187 | YES | STEEL | RED |
| M | STRAIGHT TAB | 250 | YES | STEEL | RED |

| <u>Ref #</u> | <u>Part Number</u> | <u>Qty.</u> | <u>Description</u> |
|--------------|--------------------|-------------|-----------------------|
| 1 | PE070742 | 1 | UPPER CONTROL HARNESS |



| Ref # | Part Number | Qty. | Description |
|-------|-------------|------|-----------------------|
| 1 | PE070736 | 1 | LOWER CONTROL HARNESS |



| <u>Ref #</u> | <u>Part Number</u> | <u>Qty.</u> | <u>Description</u> |
|--------------|--------------------|-------------|---------------------|
| 1 | PE070740 | 1 | LOWER LATCH HARNESS |

*No Image
Available*

| <u>Ref #</u> | <u>Part Number</u> | <u>Qty.</u> | <u>Description</u> |
|--------------|--------------------|-------------|--------------------------------|
| 1 | PE070845 | 1 | TOUCH CONTROL KEYBOARD HARNESS |

*No Image
Available*

| Ref # | Part Number | Qty. | Description |
|-------|-------------|------|-------------------------------|
| 1 | PE070846 | 1 | TOUCH CONTROL DISPLAY HARNESS |