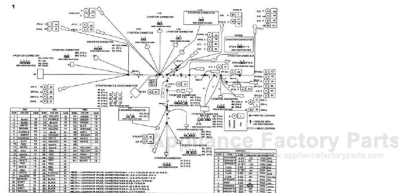


This Owner's Manual is provided and hosted by [Appliance Factory Parts](#).



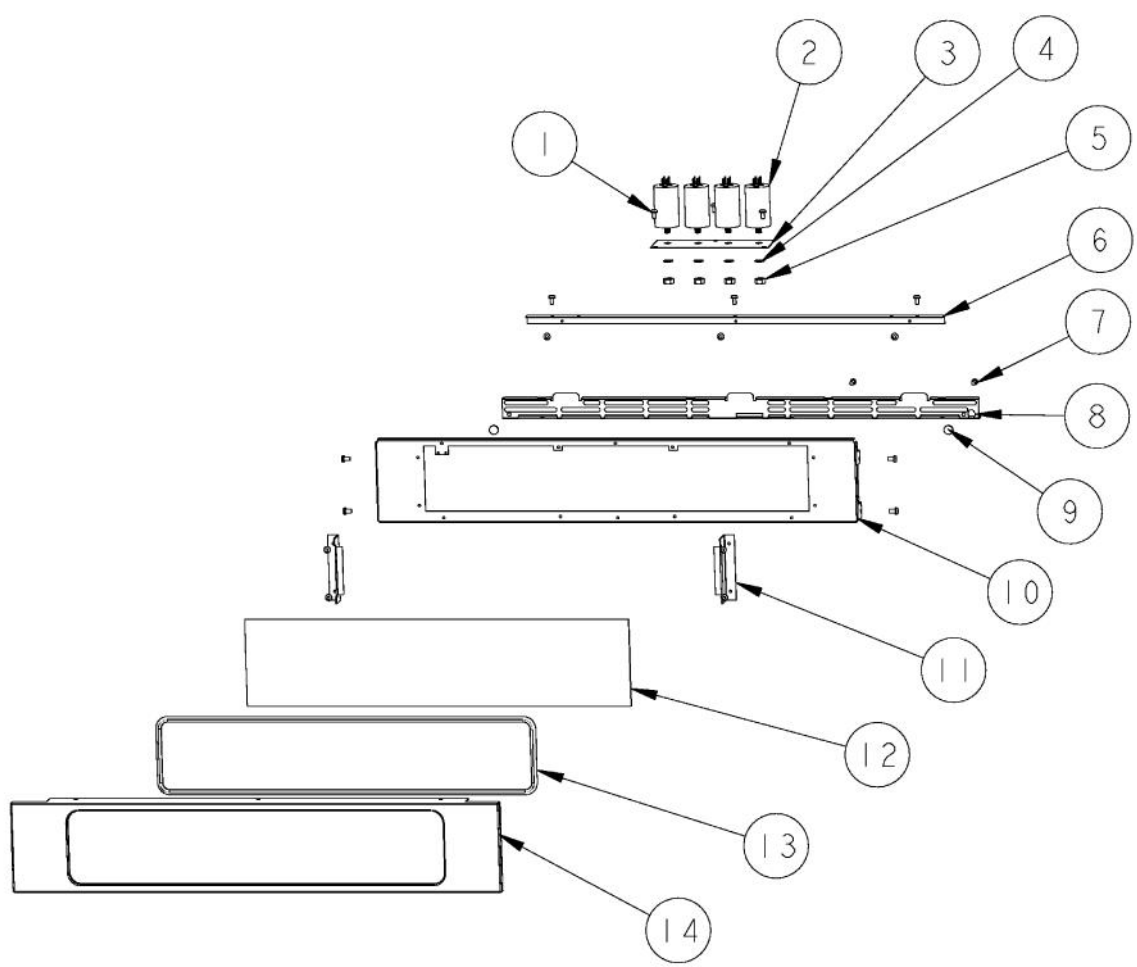
VIKING VEDO530T Owner's Manual

[Shop genuine replacement parts for VIKING VEDO530T](#)

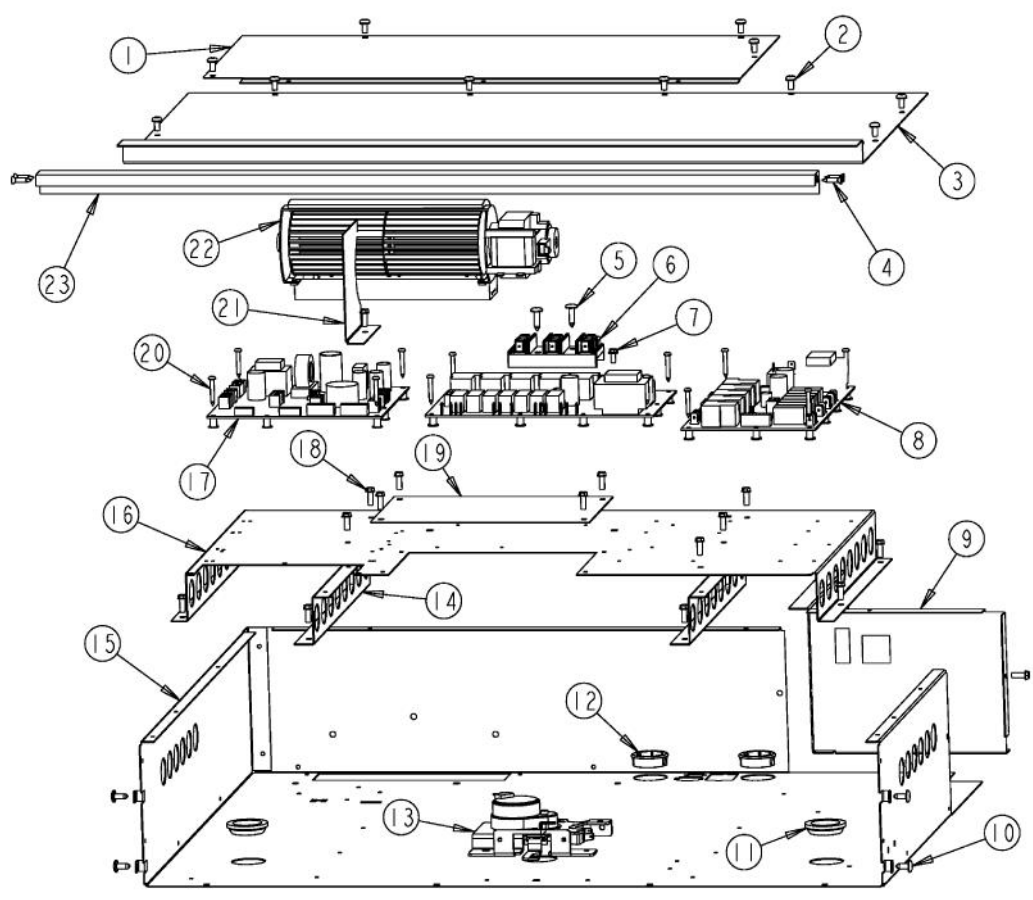


[Find Your VIKING Oven Parts - Select From 98 Models](#)

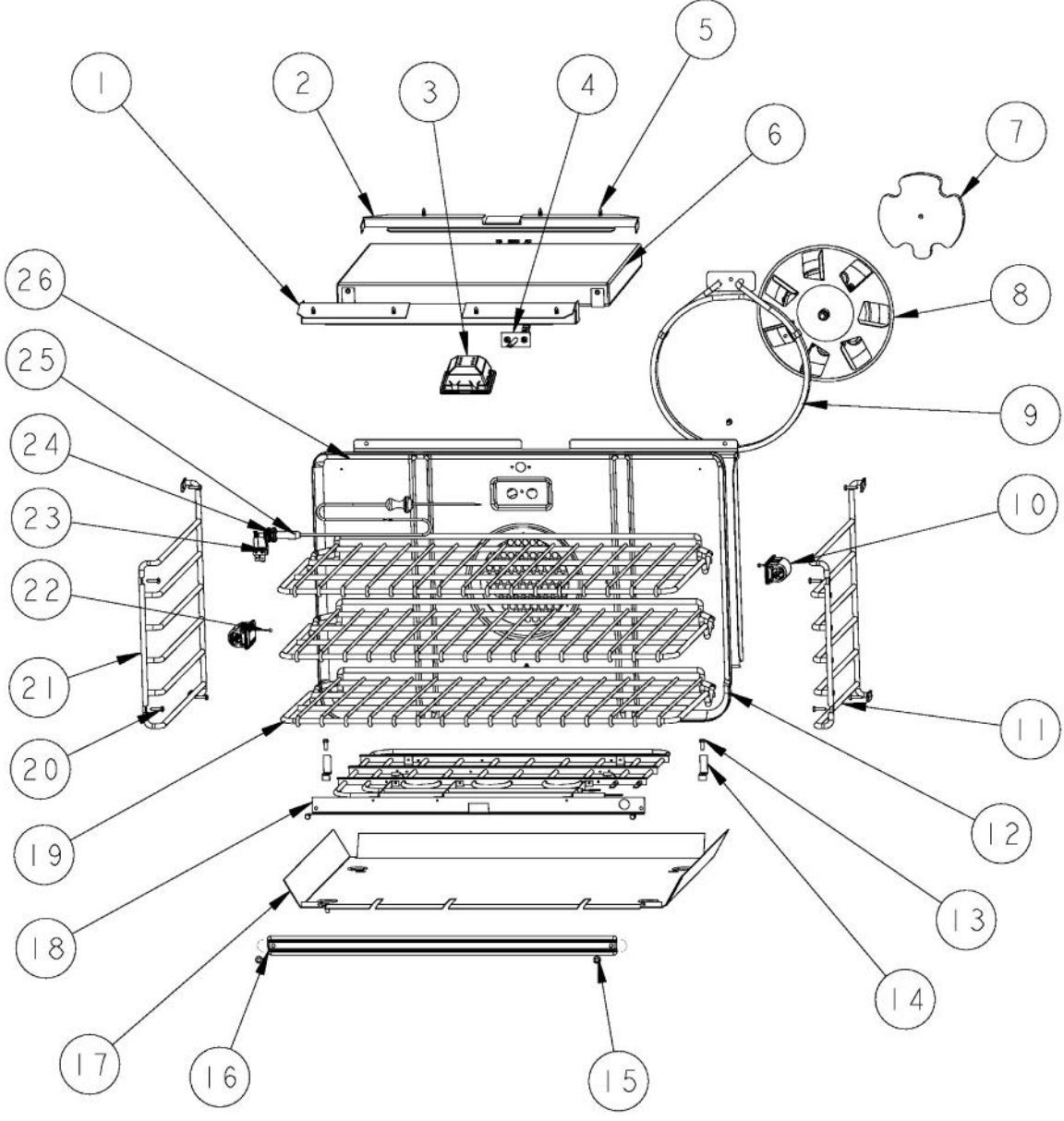
----- Manual continues below -----



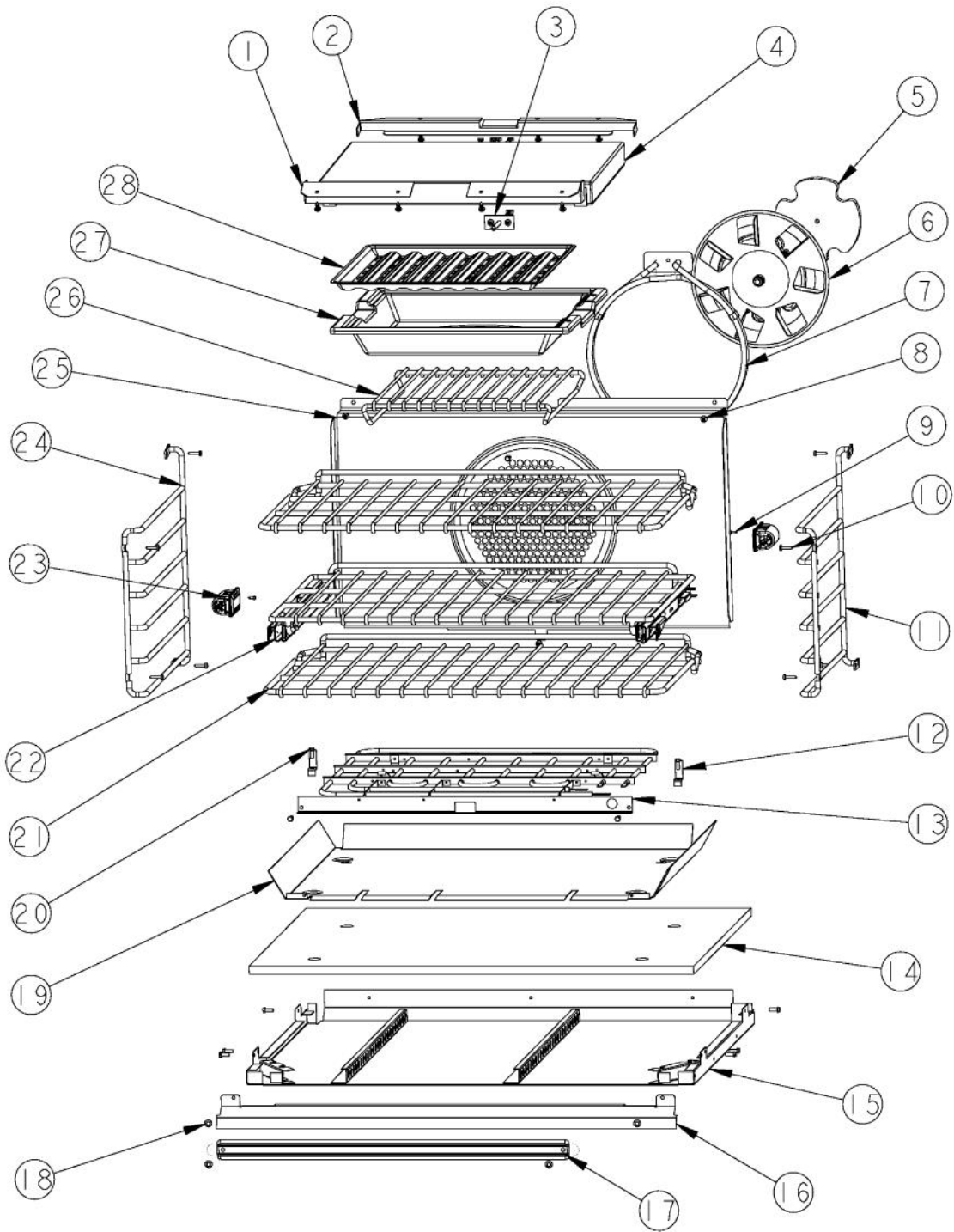
Ref #	Part Number	Qty.	Description
1	PD020004	17	10X3/8PH.HD.TYPE 25 REPL PD040125
2	PE050247	4	EBM FAN MOTOR CAPACITOR
3	A10014027	1	4 CAPACITOR BRACKET
4	PD040164	4	5/16 INTERNAL TOOTH LOCK WASHER TYPE A
5	PD030172	4	M8 X 1.25MM NUT
6	002534-000	1	PRO-TOUCH CONTROL PANEL BRACKET
7	PD020060	2	10 X 1/2 (5/16)HEX WSHR HD.(T)A
8	C90014072BK	1	30 INLET GRILL
8	C90014072WH	1	30 INLET GRILLXWHX
9	PD040004	2	GROMMET BUMPER
10	000818-000	1	30 DOUBLE CONTROL MTG PANEL
11	000238-000	2	TOUCH CONTROL MTG BRACKET
12	002459-000	1	PROFESSIONAL PREMIERE TOUCH CONTROL
13	000816-000	1	30 J-MOLD (CHROME)
14	002456-000SS	1	30`` PROFESSIONAL CONTROL PNL - SS
14	007998-002	1	30 PRO TOUCH CONTROL PANEL-BK
14	007998-003	1	30 PRO TOUCH CONTROL PANEL-BT
14	007998-004	1	30 PRO TOUCH CONTROL PANEL-SG
14	007998-005	1	30 PRO TOUCH CONTROL PANEL-GG
14	007998-006	1	30 PRO TOUCH CONTROL PANEL-WH
14	007998-008	1	30 PRO TOUCH CONTROL PANEL-BU
14	007998-009	1	30 PRO TOUCH CONTROL PANEL-LE
14	007998-010	1	30 PRO TOUCH CONTROL PANEL-MJ
14	007998-012	1	30 PRO TOUCH CONTROL PANEL-VB
14	007998-013	1	30 PRO TOUCH CONTROL PANEL-CB
14	007998-015	1	30 PRO TOUCH CONTROL PANEL-PL
14	007998-016	1	30 PRO TOUCH CONTROL PANEL-CH
14	007998-017	1	30 PRO TOUCH CONTROL PANEL-TP
14	007998-018	1	30 PRO TOUCH CONTROL PANEL-CW
14	007998-019	1	30 PRO TOUCH CONTROL PANEL-OG
14	007998-020	1	30 PRO TOUCH CONTROL PANEL-GM
14	007998-021	1	30 PRO TOUCH CONTROL PANEL-SA
14	007998-022	1	30 PRO TOUCH CONTROL PANEL-SE
14	007998-023	1	30 PRO TOUCH CONTROL PANEL-IB
14	007998-024	1	30 PRO TOUCH CONTROL PANEL-AR
14	007998-025	1	30 PRO TOUCH CONTROL PANEL-RR
14	007998-026	1	30 PRO TOUCH CONTROL PANEL-PM
14	007998-027	1	30 PRO TOUCH CONTROL PANEL-MS



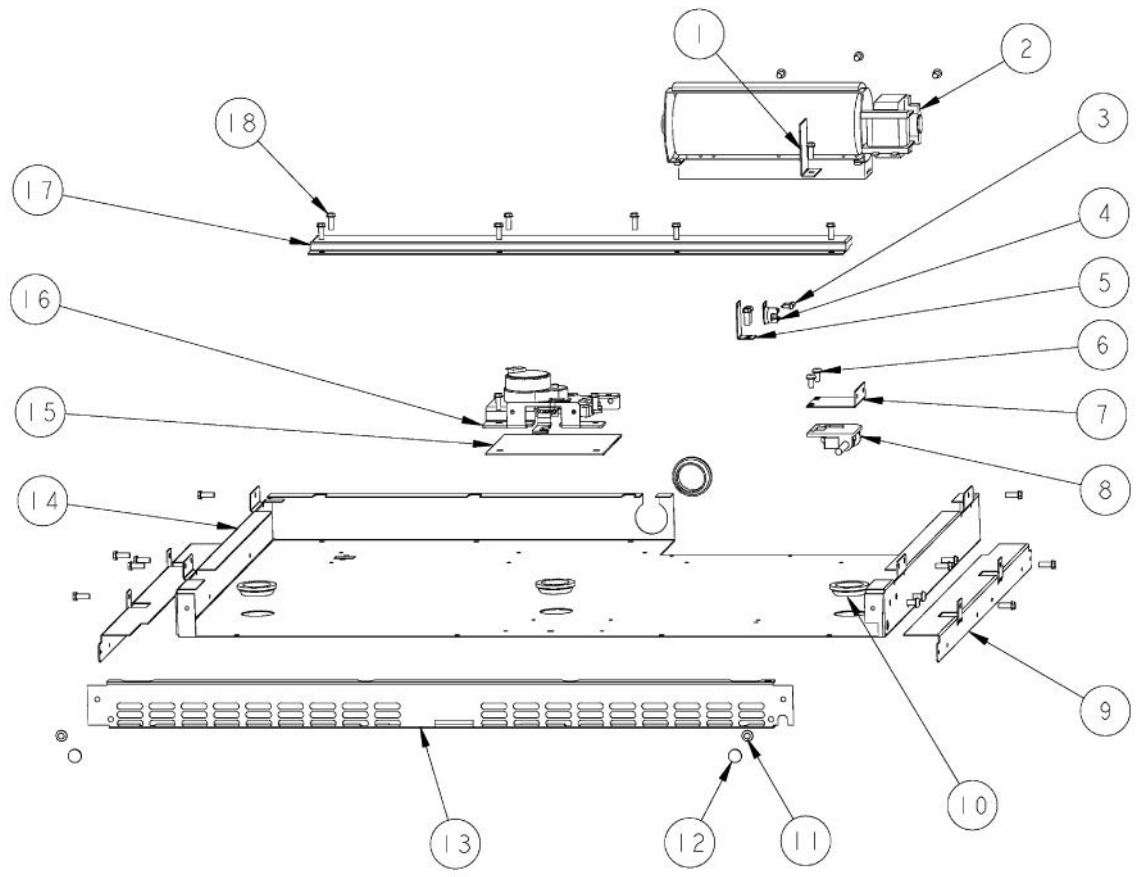
Ref #	Part Number	Qty.	Description
1	A20014049	1	30 REAR COVER
2	PD020004	12	10X3/8PH.HD.TYPE 25 REPL PD040125
3	A20014048	1	30 FRONT COVER
4	PD020061	N/A	NO.8 X 3/4 FLAT HD TEK. SS.
5	PD020014	2	10X3/4 PH TR HD SMS
6	PE070147	1	TERMINAL BLOCK
7	PD020010	1	10 X 3/8 GREEN GROUNDING SCREW
8	PE050234	1	RELAY BOARD
9	A20010934	1	BRACKET, MODULE PAN
10	PD020002	4	10 X 1/2 PH.TR.HD.SMS.
11	PB070079	2	SILICONE EXTRUSION (DGSU)
12	PD040152	2	SNAP BUSHING
13	PE050210	1	DOOR LATCH
14	A20010910	2	BRACKET, SUPPORT, ELECTRONICS HAT
15	A2009643	N/A	MODULE PAN, TOP 30
16	A2009672	1	ELECTRONICS HAT
17	PE050233	1	CONTROL BOARD
18	PD020060	30	10 X 1/2 (5/16)HEX WSHER HD.(T)A
19	A10010911	1	COVER, LATCH
20	PD020185	16	NO.6 X 1 PAN HEAD SCREW
21	A2009667	1	REAR AIR DIVIDER
22	PE050250	1	PREMIUM BLOWER WITH HES
23	PE040280	N/A	30 DES. TOP TRIM (NOT USED ON THIS MODEL)
NI	A20012649	1	DOOR SWITCH BRACKET
NI	PE050208	1	DOOR SWITCH



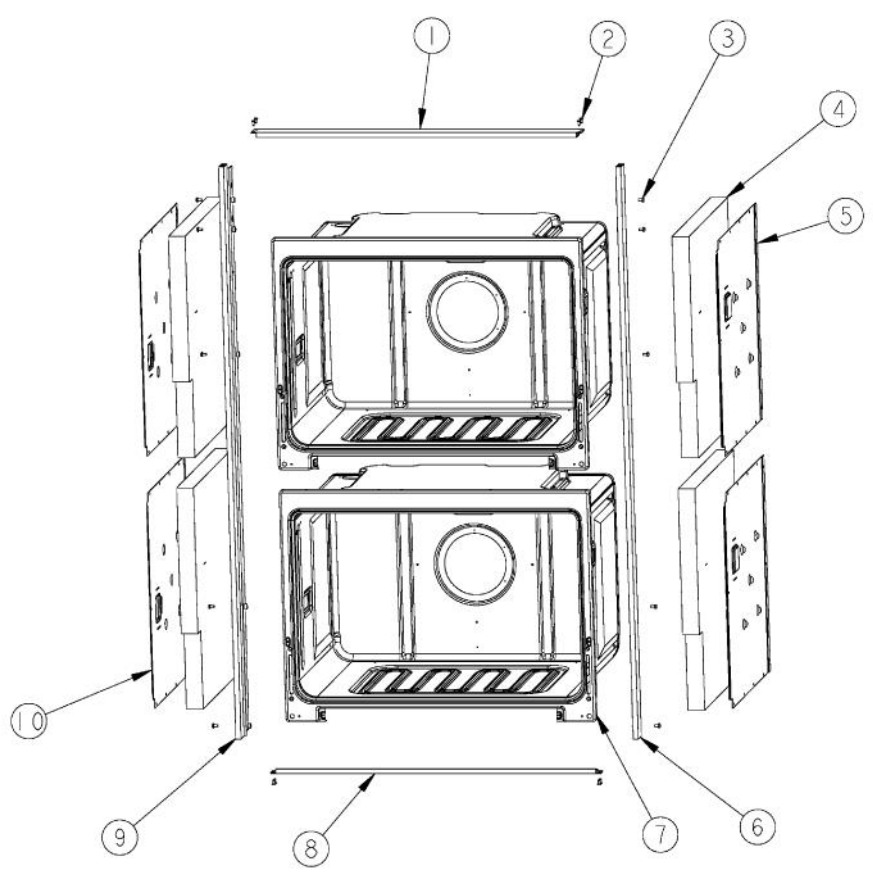
Ref #	Part Number	Qty.	Description
1	B20014050	1	PREMIERE BROIL ELEMENT BRACKET FRONT
2	B20014051	1	PREMIERE BROIL ELEMENT BRACKET REAR
3	PE050239	1	HALOGEN LAMP
4	PE050206	1	RTD THERMOSTAT PROBE
5	PD020055	12	NO.10 X 1/2 PAN PHIL. TEK. SS
6	PJ010050	1	SEALED BROIL ELEMENT W/GLASS
7	PB070312	1	CONVECTION MOTOR MTG. PLATE INSULATION
8	G32014020	1	CONVECTION FAN ASSY
9	PJ010047	1	CONVECTION ELEMENT
10	PE050238	2	120 VOLT SIDE HALOGEN LIGHT
11	PB060103	1	RACK SUPPORT RH
12	NOT REPLACEABLE	N/A	OVEN CAVITY (NOT REPLACEABLE PART)
13	PD020060	7	10 X 1/2 (5/16)HEX WSHR HD.(T)A
14	A2009696	1	HOLDER, BAKE ELEMENT
15	PD020063	2	SCREW-NO.8(A) X 3/8PH WFR HD/BK OXID
16	E2109655	1	COVER, BAKE TRAY
17	A2009612	1	ELEMENT, MTG TRAY
18	PJ010048	1	BAKE ELEMENT
19	PB060107	3	30 OVEN RACK
20	PD020232	8	NO.8 X 3/4 PH PAN HEAD TEK SCREW (BLACK OXIDE)
21	PB060104	1	RACK SUPPORT LH
22	PD020013	2	TYPE AB NO.6 X 3/8 PH PAN HD. SMS
23	PE050115	1	MEAT PROBE JACK
24	PM010160	1	MEAT PROBE JACK COVER
25	PE050114	1	MEAT PROBE (DESO/DEDO) (SWITCHCRAFT'S PART NO. 4...
26	G91013598	1	30 BAFFLE ASSEMBLY



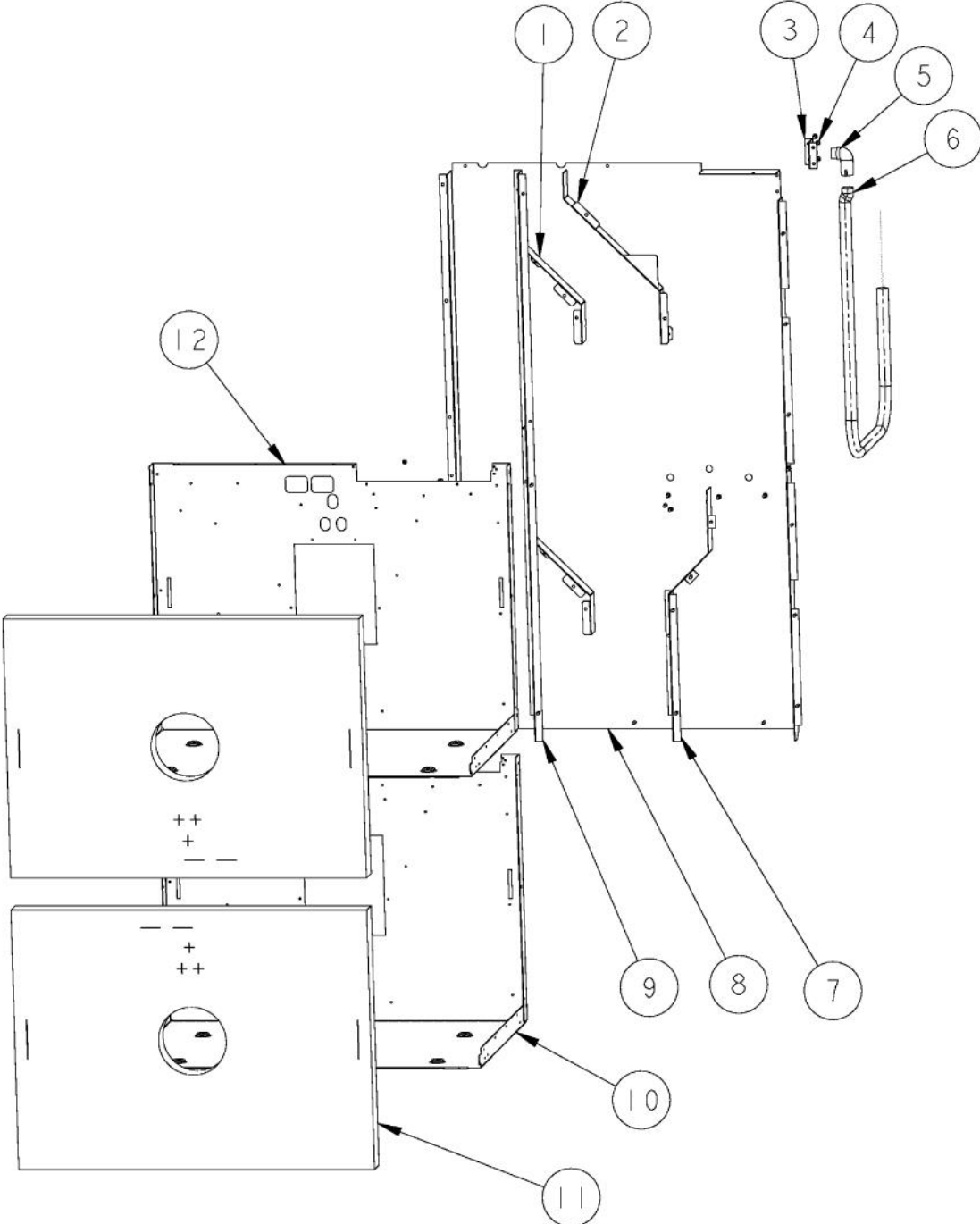
Ref #	Part Number	Qty.	Description
1	B20014050	1	PREMIERE BROIL ELEMENT BRACKET FRONT
2	B20014051	1	PREMIERE BROIL ELEMENT BRACKET REAR
3	PE050206	1	RTD THERMOSTAT PROBE
4	PJ010050	1	SEALED BROIL ELEMENT W/GLASS
5	PB070312	1	CONVECTION MOTOR MTG. PLATE INSULATION
6	G32014020	1	CONVECTION FAN ASSY
7	PJ010047	1	CONVECTION ELEMENT
8	PD020055	13	NO.10 X 1/2 PAN PHIL. TEK. SS
9	PD020013	2	TYPE AB NO.6 X 3/8 PH PAN HD. SMS
10	PD020232	8	NO.8 X 3/4 PH PAN HEAD TEK SCREW (BLACK OXIDE)
11	PB060103	1	RACK SUPPORT RH
12	A2009696	2	HOLDER, BAKE ELEMENT
13	PJ010048	1	BAKE ELEMENT
14	PB070303	1	30 BOTTOM INSULATION
15	G3009694	1	BASE MODULE ASSY 30
16	C90012831BK	1	BOTTOM AIR DEFLECTOR 30
17	E2109655	1	COVER, BAKE TRAY
18	PD020063	4	SCREW-NO.8(A) X 3/8PH WFR HD/BK OXID
19	A2009612	1	ELEMENT, MTG TRAY
20	PD020060	14	10 X 1/2 (5/16)HEX WSHR HD.(T)A
21	PB060107	3	30 OVEN RACK
22	PB060108	1	SLIDING RACK
23	PE050238	2	120 VOLT SIDE HALOGEN LIGHT
24	PB060104	1	RACK SUPPORT LH
25	G91013598	1	30 BAFFLE ASSEMBLY
26	PB080020	1	BROILER PAN RACK
27	E9107933	1	BROILER PAN
28	E9107934	1	BROILER PAN INSERT
NI	020477-000	1	DIVERTER, AIR, BOT, FLAT, 30



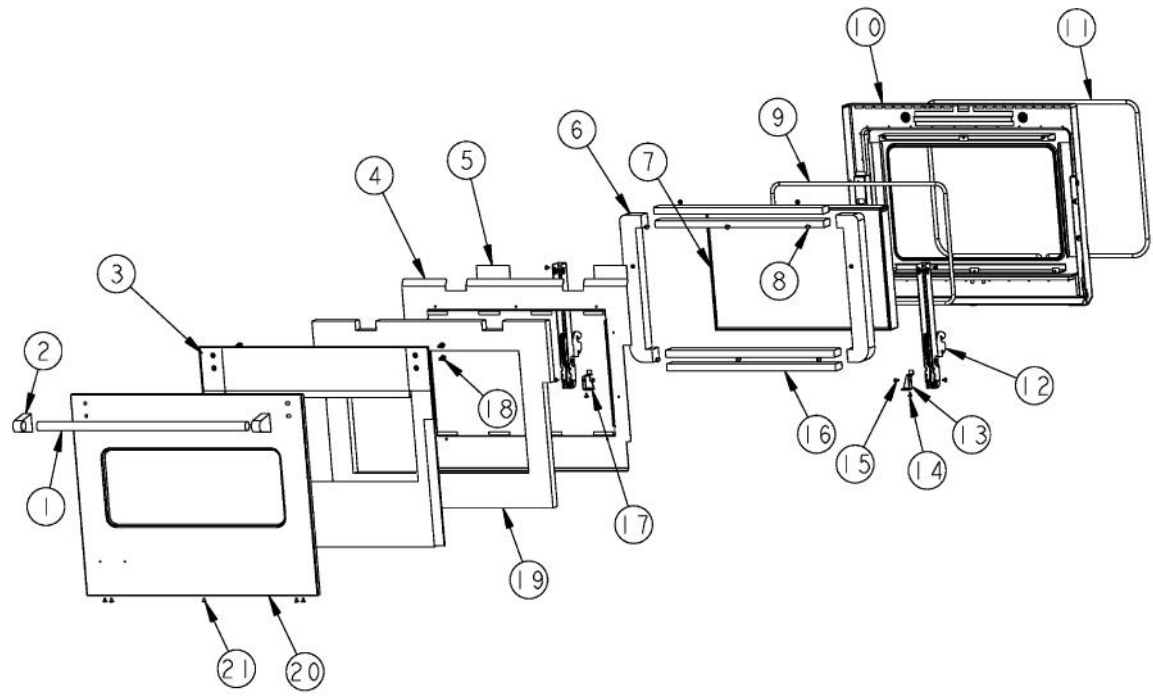
Ref #	Part Number	Qty.	Description
1	A20014036	1	BOTTOM BLOWER DIVIDER
2	PE050228	1	PREMIUM BLOWER
3	PD020013	2	TYPE AB NO.6 X 3/8 PH PAN HD. SMS
4	PJ030039	1	BI-METAL THERMOSTAT 275 DEGREES
5	A20014089	1	DISC BRACKET
6	PD020004	4	10X3/8PH.HD.TYPE 25 REPL PD040125
7	A20012649	1	DOOR SWITCH BRACKET
8	PE050208	1	DOOR SWITCH
9	A2009641	2	BRKT, TOP WRAPPER
10	PB070079	4	SILICONE EXTRUSION (DGSU)
11	PD020063	2	SCREW-NO.8(A) X 3/8PH WFR HD/BK OXID
12	PD040004	2	GROMMET BUMPER
13	020478-002	1	GRILL, INL, LOWER, DBL OVEN, 30 XBKX
14	NOT REPLACEABLE	N/A	OVEN CAVITY (NOT REPLACEABLE PART)
15	PB070321	1	LOWER LATCH INSULATION
16	PE050210	1	DOOR LATCH
17	A2009682	1	CATALYST EXHAUST, MIDDLE MODULE
18	PD020060	25	10 X 1/2 (5/16)HEX WSHER HD.(T)A



Ref #	Part Number	Qty.	Description
1	PE040273	1	30 PROF. TOP TRIM
2	PD020170	8	NO.6-32 X 1/2 PHILLIPS C.S. TYPE F SCREW
3	NOT REPLACEABLE	N/A	OVEN CAVITY (NOT REPLACEABLE PART)
4	PD020002	4	10 X 1/2 PH.TR.HD.SMS.
5	PD020014	6	10X3/4 PH TR HD SMS
7	PE040277	1	PROF. DOUBLE SIDE TRIM RH
8	NOT REPLACEABLE	N/A	OVEN CAVITY (NOT REPLACEABLE PART)
9	PE040274	1	30 PROF. BOTTOM TRIM
10	PE040278	1	PROF. DOUBLE SIDE TRIM LH
11	PB070302	4	SIDE INSULATION

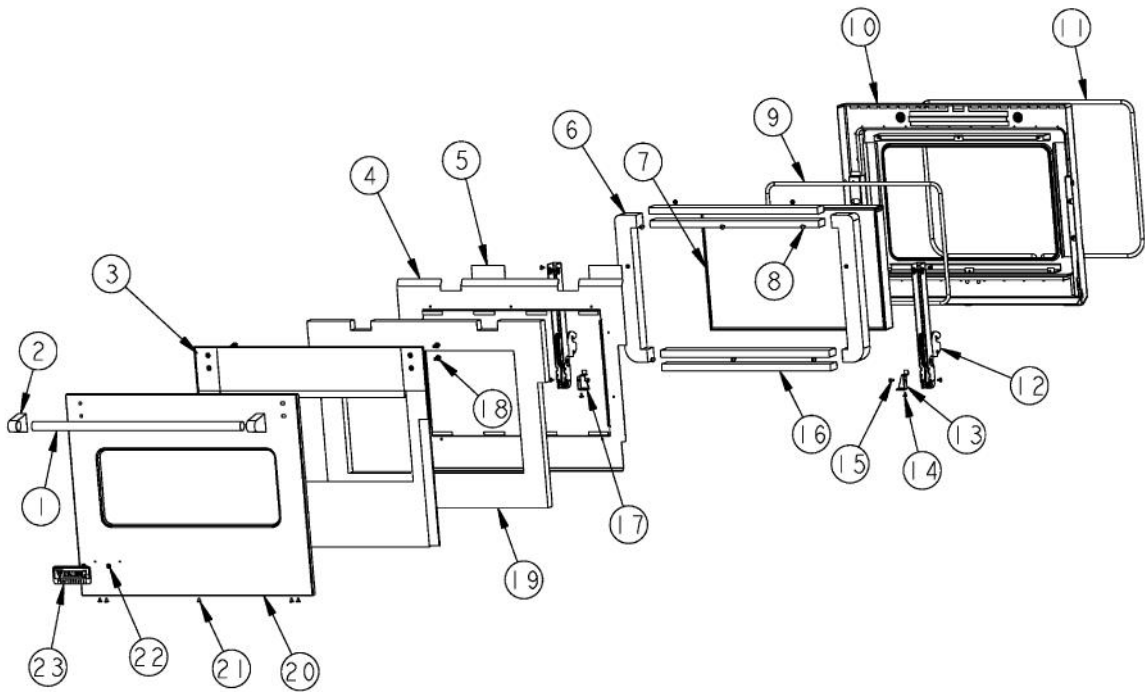


Ref #	Part Number	Qty.	Description
1	A21010919	1	BRACKET, AIR, CONVECTION MOTOR
2	A21010918	1	BRACKET, AIR, CONVECTION MOTOR
3	A2009671	1	BRACKET, POWER CABLE
4	PD020060	35	10 X 1/2 (5/16)HEX WSHR HD.(T)A
5	PB040070	1	CONDUIT FITTING (90 DEG)
6	PB020071	1	CONDUIT - FLEXIBLE (48)
7	A2009699	1	REAR AIR DIVIDER, DBL, LOWER OVEN
8	A2009683	1	PANEL, REAR
9	A2009684	1	REAR AIR DIVIDER, DOUBLE OVEN
10	NOT REPLACEABLE	N/A	OVEN CAVITY (NOT REPLACEABLE PART)
11	PB070304	1	30 BACK INSULATION
12	NOT REPLACEABLE	N/A	OVEN CAVITY (NOT REPLACEABLE PART)



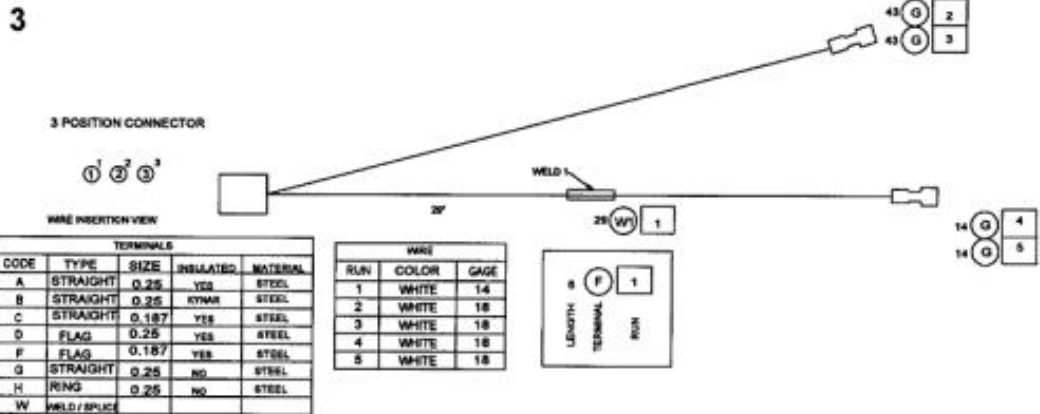
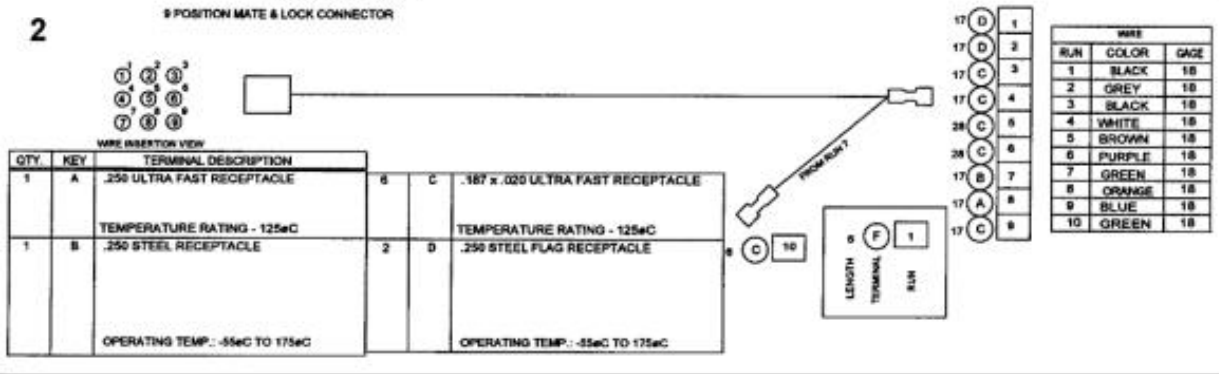
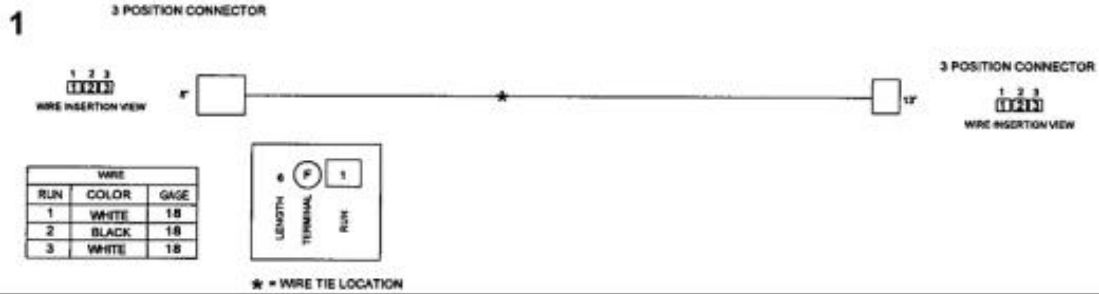
Ref #	Part Number	Qty.	Description
1	PE030179	1	30 PROF. DOOR HANDLE
	PE030179PVD		30 PROF. DOOR HANDLE XPVDX 24.907
2	PE030001	2	BRACKET, DOOR, HANDLE
	PE030001PVD		END CAP DOOR HANDLE XBR
3	001499-000	1	PRO 30" INSULATION RETAINER KIT (AFTER 7-17-06)
4	A2009632	1	PANEL, INULATION, INNER DOOR
5	PB070336	2	DOOR BRACKET INSULATION
6	PB070271	2	DOOR PLUG INSULATION
7	PE060094	1	30 WINDOW PACK
8	PD020002	10	10 X 1/2 PH.TR.HD.SMS.
9	000594-000	1	BLACK FIBERGLASS ROPE 3/8
10	G9109625	1	DOOR LINER PORC.
11	PB070246	1	30 DOOR GASKET
12	PC020220	2	SUB TO 006070-000 - DOOR HINGE MANSFIELD 30
13	A20012640	1	HINGE SUPPORT RH
14	PD020063	2	SCREW-NO.8(A) X 3/8PH WFR HD/BK OXID
15	PD020004	2	10X3/8PH.HD.TYPE 25 REPL PD040125
16	PB070269	4	30 WINDOW PACK INSULATION
17	A20012641	1	HINGE SUPPORT LH
18	PD020186	4	1/4-20 X 3/4 HEX WASHER HEAD MS
19	PB020272	1	304SS 3/4 X .035 TUBING
20	PS500017AL	1	30 PRO DOOR SKIN SERVICE KIT W/O LOGO AFTER 07/17/0...
20	PS500017ALBR	1	30 PRO DOOR SKIN SERVICE KIT W/O LOGO AFTER 07/17/0...
20	PS500017AR	1	30 PRO DOOR SKIN SERVICE KIT W/O LOGO AFTER 07/17/0...
20	PS500017BK	1	30 PRO DOOR SKIN SERVICE KIT W/O LOGO AFTER 07/17/0...
20	PS500017BKBR	1	30 PRO DOOR SKIN SERVICE KIT W/O LOGO AFTER 07/17/0...
20	PS500017BT	1	30 PRO DOOR SKIN SERVICE KIT W/O LOGO AFTER 07/17/0...
20	PS500017BTBR	1	30 PRO DOOR SKIN SERVICE KIT W/O LOGO AFTER 07/17/0...
20	PS500017BU	1	30 PRO DOOR SKIN SERVICE KIT W/O LOGO AFTER 07/17/0...
20	PS500017BUBR	1	30 PRO DOOR SKIN SERVICE KIT W/O LOGO AFTER 07/17/0...
20	PS500017CB	1	30 PRO DOOR SKIN SERVICE KIT W/O LOGO AFTER 07/17/0...
20	PS500017CBBR	1	30 PRO DOOR SKIN SERVICE KIT W/O LOGO AFTER 07/17/0...
20	PS500017EP	1	30 PRO DOOR SKIN SERVICE KIT W/O LOGO AFTER 07/17/0...
20	PS500017EPBR	1	30 PRO DOOR SKIN SERVICE KIT W/O LOGO AFTER 07/17/0...
20	PS500017FG	1	30 PRO DOOR SKIN SERVICE KIT W/O LOGO AFTER 07/17/0...
20	PS500017FGBR	1	30 PRO DOOR SKIN SERVICE KIT W/O LOGO AFTER 07/17/0...
20	PS500017GG	1	30 PRO DOOR SKIN SERVICE KIT W/O LOGO AFTER 07/17/0...
20	PS500017GGBR	1	30 PRO DOOR SKIN SERVICE KIT W/O LOGO AFTER 07/17/0...
20	PS500017LE	1	30 PRO DOOR SKIN SERVICE KIT W/O LOGO AFTER 07/17/0...
20	PS500017LEBR	1	30 PRO DOOR SKIN SERVICE KIT W/O LOGO AFTER 07/17/0...
20	PS500017MJ	1	30 PRO DOOR SKIN SERVICE KIT W/O LOGO AFTER 07/17/0...
20	PS500017MJBR	1	30 PRO DOOR SKIN SERVICE KIT W/O LOGO AFTER 07/17/0...
20	PS500017SG	1	30 PRO DOOR SKIN SERVICE KIT W/O LOGO AFTER 07/17/0...
20	PS500017SGBR	1	30 PRO DOOR SKIN SERVICE KIT W/O LOGO - SG/BR
20	PS500017SS	1	30 PRO DOOR SKIN SERVICE KIT W/O LOGO AFTER 07/17/0...
20	PS500017SSBR	1	30 PRO DOOR SKIN SERVICE KIT W/O LOGO AFTER 07/17/0...
20	PS500017VB	1	30 PRO DOOR SKIN SERVICE KIT W/O LOGO AFTER 07/17/0...
20	PS500017VBBR	1	30 PRO DOOR SKIN SERVICE KIT W/O LOGO AFTER 07/17/0...
20	PS500017WH	1	30 PRO DOOR SKIN SERVICE KIT W/O LOGO AFTER 07/17/0...
20	PS500017WHBR	1	30 PRO DOOR SKIN SERVICE KIT W/O LOGO AFTER 07/17/0...
21	PD020032	5	SRW-8(A)X3/8PH.WFR HD 7/16DIAXNICL
NI	G32012724AL	1	30 DOOR ASSY W/O LOGO XALX
NI	G32012724ALBR	1	30 DOOR ASSY W/O LOGO XALBRX
NI	G32012724BK	1	30 DOOR ASSY W/O LOGO XBKX
NI	G32012724BKBR	1	30 DOOR ASSY W/O LOGO XBKBRX
NI	G32012724BT	1	30 DOOR ASSY W/O LOGO XBTX
NI	G32012724BTBR	1	30 DOOR ASSY W/O LOGO XBTBRX
NI	G32012724BU	1	30 DOOR ASSY W/O LOGO XBUX
NI	G32012724BUBR	1	30 DOOR ASSY W/O LOGO XBUBRX
NI	G32012724CB	1	30 DOOR ASSY W/O LOGO XCBX

Ref #	Part Number	Qty.	Description
NI	G32012724CB	1	30 DOOR ASSY W/O LOGO XCBX
NI	G32012724CBBR	1	30 DOOR ASSY W/O LOGO XCBBRX
NI	G32012724EP	1	30 DOOR ASSY W/O LOGO XEPX
NI	G32012724EPBR	1	30 DOOR ASSY W/O LOGO XEPBRX
NI	G32012724FG	1	30 DOOR ASSY W/O LOGO XFGX
NI	G32012724FGBR	1	30 DOOR ASSY W/O LOGO XFGBRX
NI	G32012724GG	1	30 DOOR ASSY W/O LOGO XGGX
NI	G32012724GGBR	1	30 DOOR ASSY W/O LOGO XGGBRX
NI	G32012724LE	1	30 DOOR ASSY W/O LOGO XLEX
NI	G32012724LEBR	1	30 DOOR ASSY W/O LOGO XLEBRX
NI	G32012724MJ	1	30 DOOR ASSY W/O LOGO XMJX
NI	G32012724MJBR	1	30 DOOR ASSY W/O LOGO XMJBRX
NI	G32012724SG	1	30 DOOR ASSY W/O LOGO XSGX
NI	G32012724SGBR	1	30 DOOR ASSY W/O LOGO XSGBRX
NI	G32012724SS	1	30 DOOR ASSY W/O LOGO
NI	G32012724SSBR	1	30 DOOR ASSY W/O LOGO XSSBRX
NI	G32012724VB	1	30 DOOR ASSY W/O LOGO XVBX
NI	G32012724VBRR	1	30 DOOR ASSY W/O LOGO XVBRRX
NI	G32012724WH	1	30 DOOR ASSY W/O LOGO XWHX
NI	G32012724WHBR	1	30 DOOR ASSY W/O LOGO XWHBRX
NI	017736-000	1	WINDOW PACK INSULATION KIT



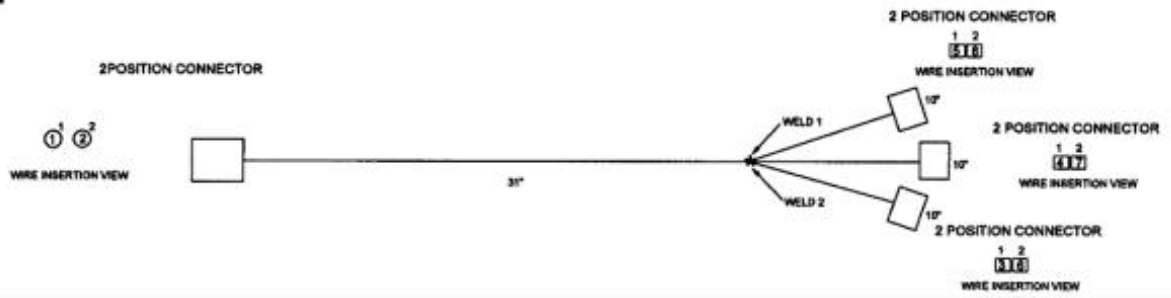
Ref #	Part Number	Qty.	Description
1	PE030179	1	30 PROF. DOOR HANDLE
1	PE030179PVD		30 PROF. DOOR HANDLE XPVDX 24.907
2	PE030001	2	BRACKET, DOOR, HANDLE
2	PE030001PVD		END CAP DOOR HANDLE XBR
3	001499-000	1	PRO 30" INSULATION RETAINER KIT (AFTER 7-17-06)
4	A2009632	1	PANEL, INULATION, INNER DOOR
5	PB070336	2	DOOR BRACKET INSULATION
6	PB070271	2	DOOR PLUG INSULATION
7	PE060094	1	30 WINDOW PACK
8	PD020002	10	10 X 1/2 PH.TR.HD.SMS.
9	000594-000	1	BLACK FIBERGLASS ROPE 3/8
10	G9109625	1	DOOR LINER PORC.
11	PB070246	1	30 DOOR GASKET
12	PC020220	2	SUB TO 006070-000 - DOOR HINGE MANSFIELD 30
13	A20012640	1	HINGE SUPPORT RH
14	PD020063	2	SCREW-NO.8(A) X 3/8PH WFR HD/BK OXID
15	PD020004	2	10X3/8PH.HD.TYPE 25 REPL PD040125
16	PB070269	4	30 WINDOW PACK INSULATION
17	A20012641	1	HINGE SUPPORT LH
18	PD020186	4	1/4-20 X 3/4 HEX WASHER HEAD MS
19	PB070272	1	30 DOOR INSULATION
20	PS500015AL	1	30 PRO DOOR SKIN SVC KIT W/LOGO AFTER 07/17/06 - AL
20	PS500015ALBR	1	30 PRO DOOR SKIN SVC KIT W/LOGO AFTER 07/17/06 - AL/B...
20	PS500015BK	1	30 PRO DOOR SKIN SVC KIT W/LOGO AFTER 07/17/06 -BK
20	PS500015BKBR	1	30 PRO DOOR SKIN SVC KIT W/LOGO AFTER 07/17/06 -BK/BR
20	PS500015BT	1	30 PRO DOOR SKIN SVC KIT W/LOGO AFTER 07/17/06 - BT
20	PS500015BTBR	1	30 PRO DOOR SKIN SVC KIT W/LOGO AFTER 07/17/06 -BTBR
20	PS500015BU	1	30 PRO DOOR SKIN SVC KIT W/LOGO AFTER 07/17/06 -BU
20	PS500015BUBR	1	30 PRO DOOR SKIN SVC KIT W/LOGO AFTER 07/17/06 - BU/...
20	PS500015CB	1	30 PRO DOOR SKIN SVC KIT W/LOGO AFTER 07/17/06 - CB
20	PS500015CBBR	1	30 PRO DOOR SKIN SVC KIT W/LOGO AFTER 07/17/06 - CB/...
20	PS500015EP	1	30 PRO DOOR SKIN SVC KIT W/LOGO AFTER 07/17/06 - EP
20	PS500015EPBR	1	30 PRO DOOR SKIN SVC KIT W/LOGO AFTER 07/17/06 - EP/B...
20	PS500015FG	1	30 PRO DOOR SKIN SVC KIT W/LOGO AFTER 07/17/06 - FG
20	PS500015FGBR	1	30 PRO DOOR SKIN SVC KIT W/LOGO AFTER 07/17/06 - FG/...
20	PS500015GG	1	30 PRO DOOR SKIN SVC KIT W/LOGO AFTER 07/17/06 -GG
20	PS500015GGBR	1	30 PRO DOOR SKIN SVC KIT W/LOGO AFTER 07/17/06 -GG/B...
20	PS500015LE	1	30 PRO DOOR SKIN SVC KIT W/LOGO AFTER 07/17/06 - LE
20	PS500015LEBR	1	30 PRO DOOR SKIN SVC KIT W/LOGO AFTER 07/17/06 - LE/B...
20	PS500015MJ	1	30 PRO DOOR SKIN SVC KIT W/LOGO AFTER 07/17/06 - MJ
20	PS500015MJBR	1	30 PRO DOOR SKIN SVC KIT W/LOGO AFTER 07/17/06 - MJ/B...
20	PS500015SG	1	30 PRO DOOR SKIN SVC KIT W/LOGO AFTER 07/17/06 - SG
20	PS500015SGBR	1	30 PRO DOOR SKIN SVC KIT W/LOGO AFTER 07/17/06 -SGBR
20	PS500015SS	1	30 PRO DOOR SKIN SVC KIT W/LOGO AFTER 07/17/06 -SS
20	PS500015SSBR	1	30 PRO DOOR SKIN SVC KIT W/LOGO AFTER 07/17/06 - SS/B...
20	PS500015VB	1	30 PRO DOOR SKIN SVC KIT W/LOGO AFTER 07/17/06 - VB
20	PS500015VBBR	1	30 PRO DOOR SKIN SVC KIT W/LOGO AFTER 07/17/06 -VBBR
20	PS500015WH	1	30 PRO DOOR SKIN SVC KIT W/LOGO AFTER 07/17/06 - WH
20	PS500015WHBR	1	30 PRO DOOR SKIN SVC KIT W/LOGO AFTER 07/17/06 - WH/...
21	PD020032	5	SRW-8(A)X3/8PH.WFR HD 7/16DIAXNICL
22	PD030006	5	CAPPED WASHER PAL NUT
23	PE010016	1	NAMEPLATE, LOGO, PRO
23	PE010017	1	LOGO (VGSO,VEDO,VGDO,VUD) XWH/CHR
23	PE010079	1	4.5 LOGO/VIKING PROF, BK/BR
23	PE010080	1	4.5 LOGO/VIKING PROF XWH/BR
NI	G32012723AL	1	30 DOOR ASSY W/LOGO XALX
NI	G32012723ALBR	1	30 DOOR ASSY W/LOGO XALBRX
NI	G32012723BK	1	30 DOOR ASSY W/LOGO XBKX
NI	G32012723BKBR	1	30 DOOR ASSY W/LOGO XBKBRX
NI	G32012723BT	1	30 DOOR ASSY W/LOGO XBTX

Ref #	Part Number	Qty.	Description
NI	G32012723BT	1	30 DOOR ASSY W/LOGO XBTX
NI	G32012723BTBR	1	30 DOOR ASSY W/LOGO XBTBRX
NI	G32012723BU	1	30 DOOR ASSY W/LOGO XBUX
NI	G32012723BUBR	1	30 DOOR ASSY W/LOGO XBUBRX
NI	G32012723CB	1	30 DOOR ASSY W/LOGO XCBX
NI	G32012723CBBR	1	30 DOOR ASSY W/LOGO XCBBRX
NI	G32012723EP	1	30 DOOR ASSY W/LOGO XEPX
NI	G32012723EPBR	1	30 DOOR ASSY W/LOGO XEPBRX
NI	G32012723FG	1	30 DOOR ASSY W/LOGO XFGX
NI	G32012723FGBR	1	30 DOOR ASSY W/LOGO XFGBRX
NI	G32012723GG	1	30 DOOR ASSY W/LOGO XGGX
NI	G32012723GGBR	1	30 DOOR ASSY W/LOGO XGGBRX
NI	G32012723LE	1	30 DOOR ASSY W/LOGO XLEX
NI	G32012723LEBR	1	30 DOOR ASSY W/LOGO XLEBRX
NI	G32012723MJ	1	30 DOOR ASSY W/LOGO XMJX
NI	G32012723MJBR	1	30 DOOR ASSY W/LOGO XMJBRX
NI	G32012723SG	1	30 DOOR ASSY W/LOGO XSGX
NI	G32012723SGBR	1	30 DOOR ASSY W/LOGO XSGBRX
NI	G32012723SS	1	30 DOOR ASSY W/LOGO
NI	G32012723SSBR	1	30 DOOR ASSY W/LOGO XSSBRX
NI	G32012723VB	1	30 DOOR ASSY W/LOGO XVBX
NI	G32012723VBBR	1	30 DOOR ASSY W/LOGO XVBBRX
NI	G32012723WH	1	30 DOOR ASSY W/LOGO XWHX
NI	G32012723WHBR	1	30 DOOR ASSY W/LOGO XWHBRX
NI	017736-000	1	WINDOW PACK INSULATION KIT



Ref #	Part Number	Qty.	Description
1	PE070738	1	T/STAT-SEL HARNESS
	PE070733	1	UPPER LATCH HARNESS
	PE070739	1	BAKE ELEMENT HARNESS
NI	G4005496	1	SUPPLY WIRE - 100 BK 10GA SO/DO
NI	G4005497	1	SUPPLY WIRE - 100 GREEN 10GA SO/DO
NI	G4005499	1	SUPPLY WIRE - 100 RED 10GA SO/DO
NI	G4005494	1	SUPPLY WIRE - 75 WH 12 GA SO/DO

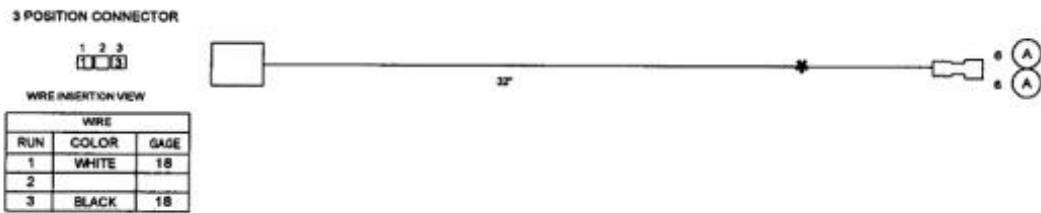
1



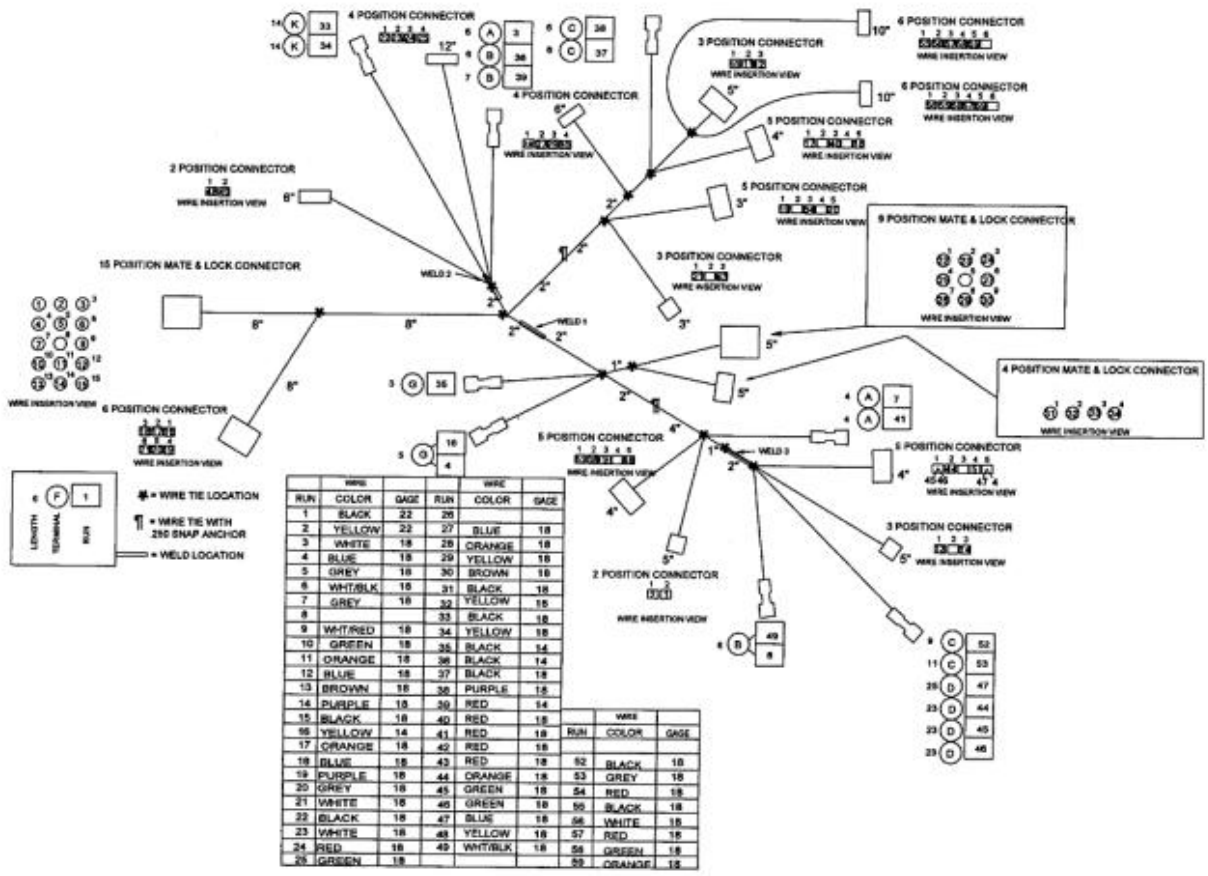
2



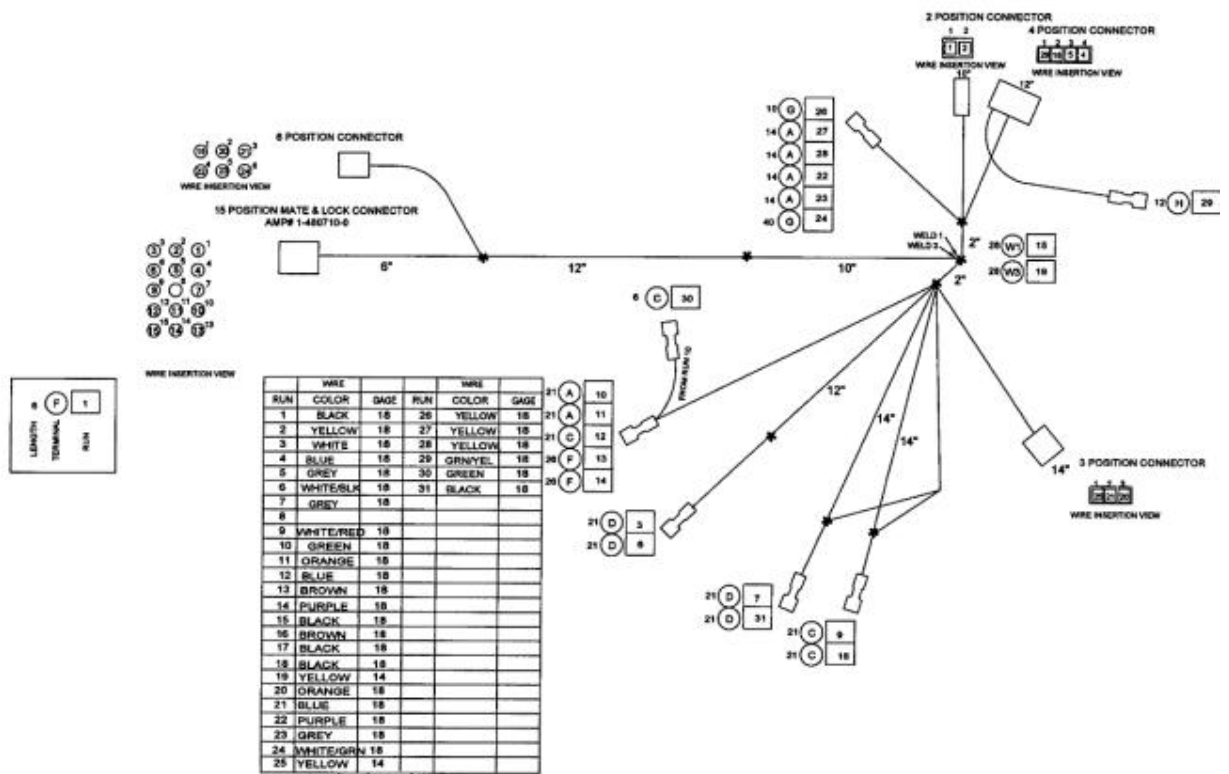
3



Ref #	Part Number	Qty.	Description
1	PE070741	1	LOWER LIGHT HARNESS
2	PE070744	1	DOUBLE CLOCK HARNESS
3	PE070735	1	MEAT PROBE HARNESS

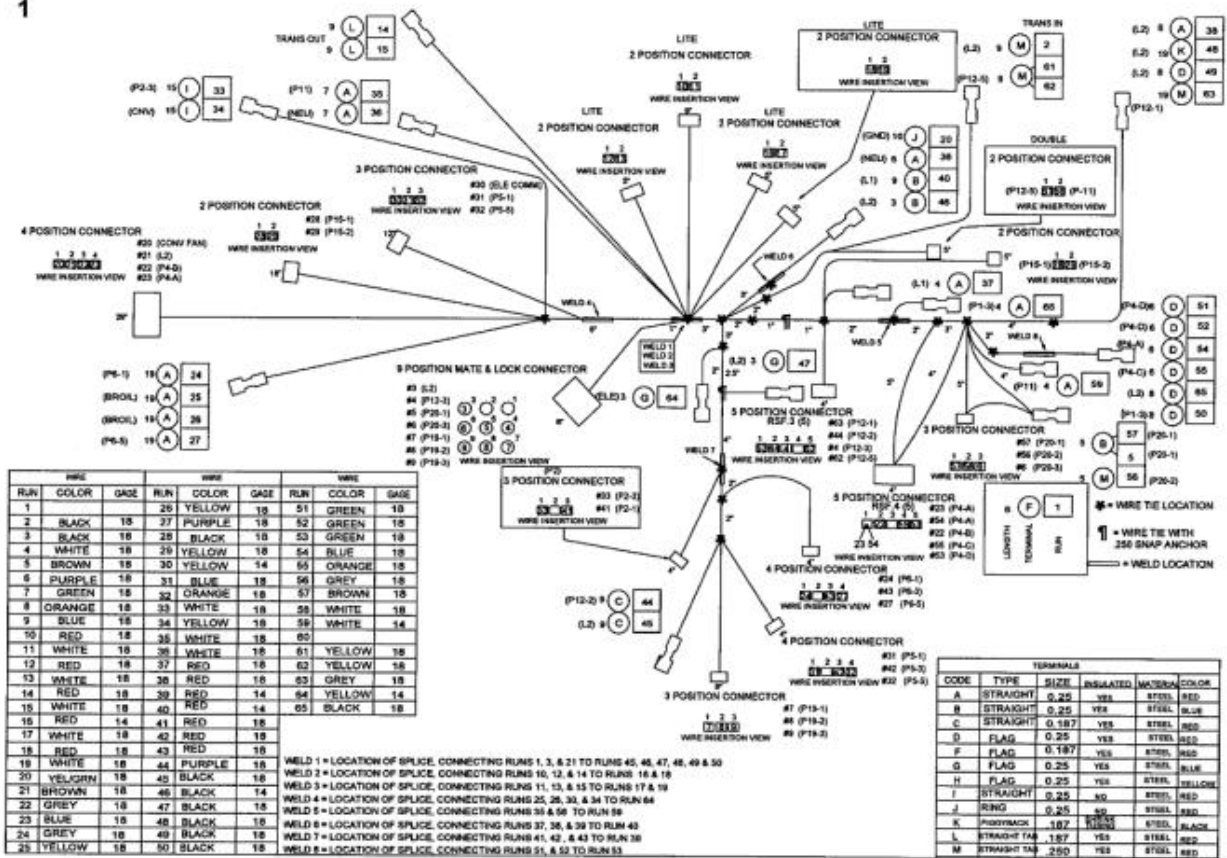


Ref #	Part Number	Qty.	Description
1	PE070736	1	LOWER CONTROL HARNESS



Ref #	Part Number	Qty.	Description
1	PE070740	1	LOWER LATCH HARNESS

1



WIRE	GAUGE	COLOR	WIRE	GAUGE	COLOR	WIRE	GAUGE	
1	18	BLACK	25	18	YELLOW	51	18	GREEN
2	18	BLACK	27	18	PURPLE	52	18	GREEN
3	18	BLACK	28	18	BLACK	53	18	GREEN
4	18	WHITE	29	18	YELLOW	54	18	BLUE
5	18	BROWN	30	18	YELLOW	55	18	ORANGE
6	18	PURPLE	31	18	BLUE	56	18	GREY
7	18	GREEN	32	18	ORANGE	57	18	BROWN
8	18	ORANGE	33	18	WHITE	58	18	WHITE
9	18	BLUE	34	18	YELLOW	59	18	WHITE
10	18	RED	35	18	WHITE	60	18	RED
11	18	WHITE	36	18	WHITE	61	18	YELLOW
12	18	RED	37	18	RED	62	18	YELLOW
13	18	WHITE	38	18	RED	63	18	GREY
14	18	RED	39	18	RED	64	18	YELLOW
15	18	WHITE	40	18	RED	65	18	BLACK
16	14	RED	41	18	RED	18		
17	18	WHITE	42	18	RED	18		
18	18	RED	43	18	RED	18		
19	18	WHITE	44	18	PURPLE	18		
20	18	YELLOW	45	18	BLACK	18		
21	18	BROWN	46	18	BLACK	14		
22	18	GREY	47	18	BLACK	18		
23	18	BLUE	48	18	BLACK	18		
24	18	GREY	49	18	BLACK	18		
25	18	YELLOW	50	18	BLACK	18		

WELD 1 = LOCATION OF SPLICE, CONNECTING RUNS 1, 3, & 21 TO RUNS 45, 46, 47, 48, 49 & 50
 WELD 2 = LOCATION OF SPLICE, CONNECTING RUNS 10, 12, & 14 TO RUNS 16 & 18
 WELD 3 = LOCATION OF SPLICE, CONNECTING RUNS 11, 13, & 15 TO RUNS 17 & 19
 WELD 4 = LOCATION OF SPLICE, CONNECTING RUNS 25, 26, 33, & 34 TO RUN 64
 WELD 5 = LOCATION OF SPLICE, CONNECTING RUNS 35 & 59 TO RUN 58
 WELD 6 = LOCATION OF SPLICE, CONNECTING RUNS 37, 38, & 39 TO RUN 43
 WELD 7 = LOCATION OF SPLICE, CONNECTING RUNS 41, 42, & 43 TO RUN 38
 WELD 8 = LOCATION OF SPLICE, CONNECTING RUNS 51, & 52 TO RUN 53

CODE	TYPE	SIZE	INSULATED	W/350	COLOR
A	STRAIGHT	0.25	YES	STEEL	RED
B	STRAIGHT	0.25	YES	STEEL	BLUE
C	STRAIGHT	0.187	YES	STEEL	RED
D	FLAG	0.25	YES	STEEL	RED
F	FLAG	0.187	YES	STEEL	RED
G	FLAG	0.25	YES	STEEL	BLUE
H	FLAG	0.25	YES	STEEL	YELLOW
I	STRAIGHT	0.25	NO	STEEL	RED
J	RING	0.25	NO	STEEL	RED
K	FOOTRACK	.187	NO	STEEL	BLACK
L	STRAIGHT TAN	.187	YES	STEEL	RED
M	STRAIGHT TAN	.250	YES	STEEL	RED

Ref #	Part Number	Qty.	Description
1	PE070742	1	UPPER CONTROL HARNESS

*No Image
Available*

Ref #	Part Number	Qty.	Description
1	PE070845	1	TOUCH CONTROL KEYBOARD HARNESS

*No Image
Available*

Ref #	Part Number	Qty.	Description
1	PE070846	1	TOUCH CONTROL DISPLAY HARNESS