

This Owner's Manual is provided and hosted by [Appliance Factory Parts](#).



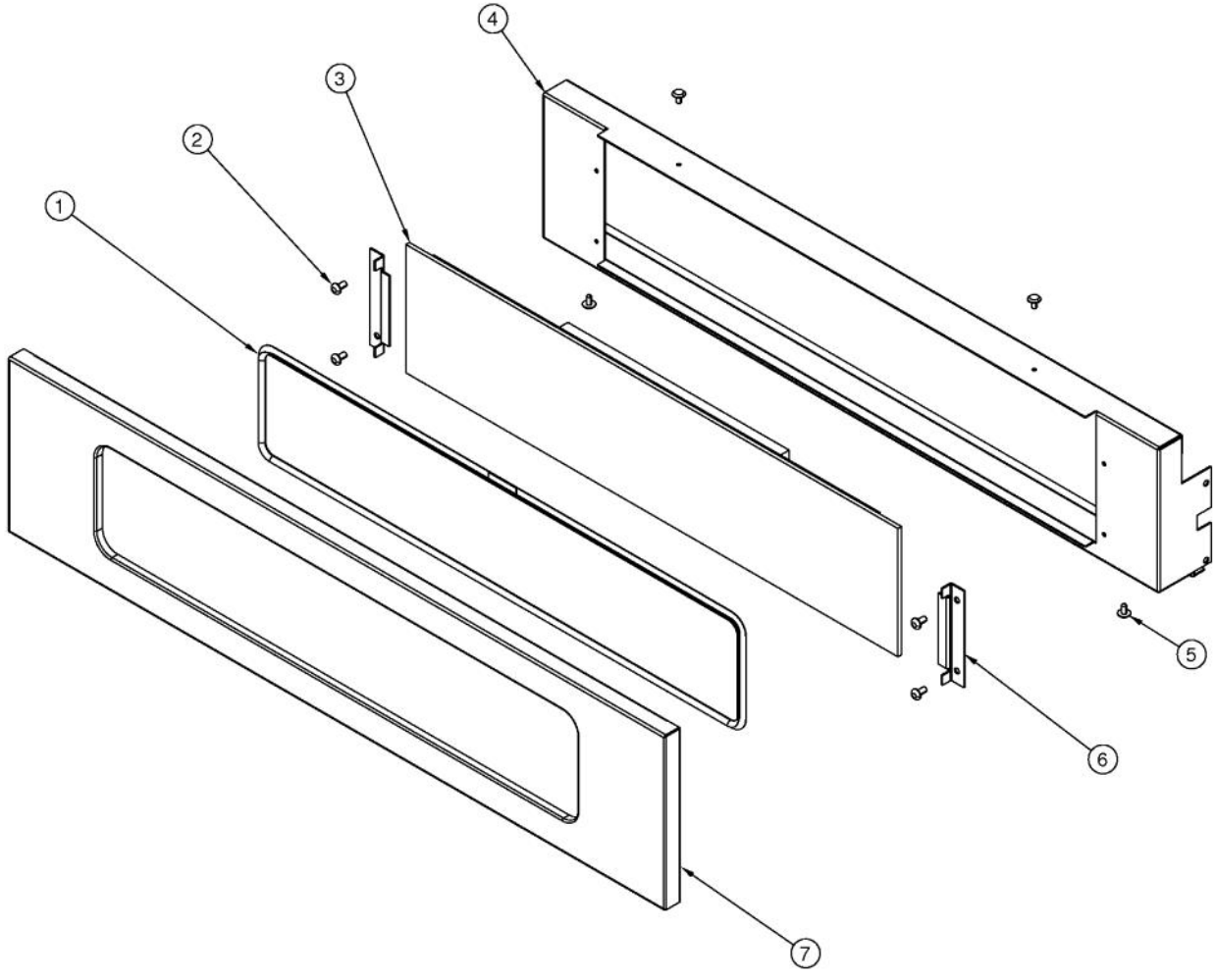
VIKING VEDO1302T Owner's Manual

[Shop genuine replacement parts for VIKING
VEDO1302T](#)

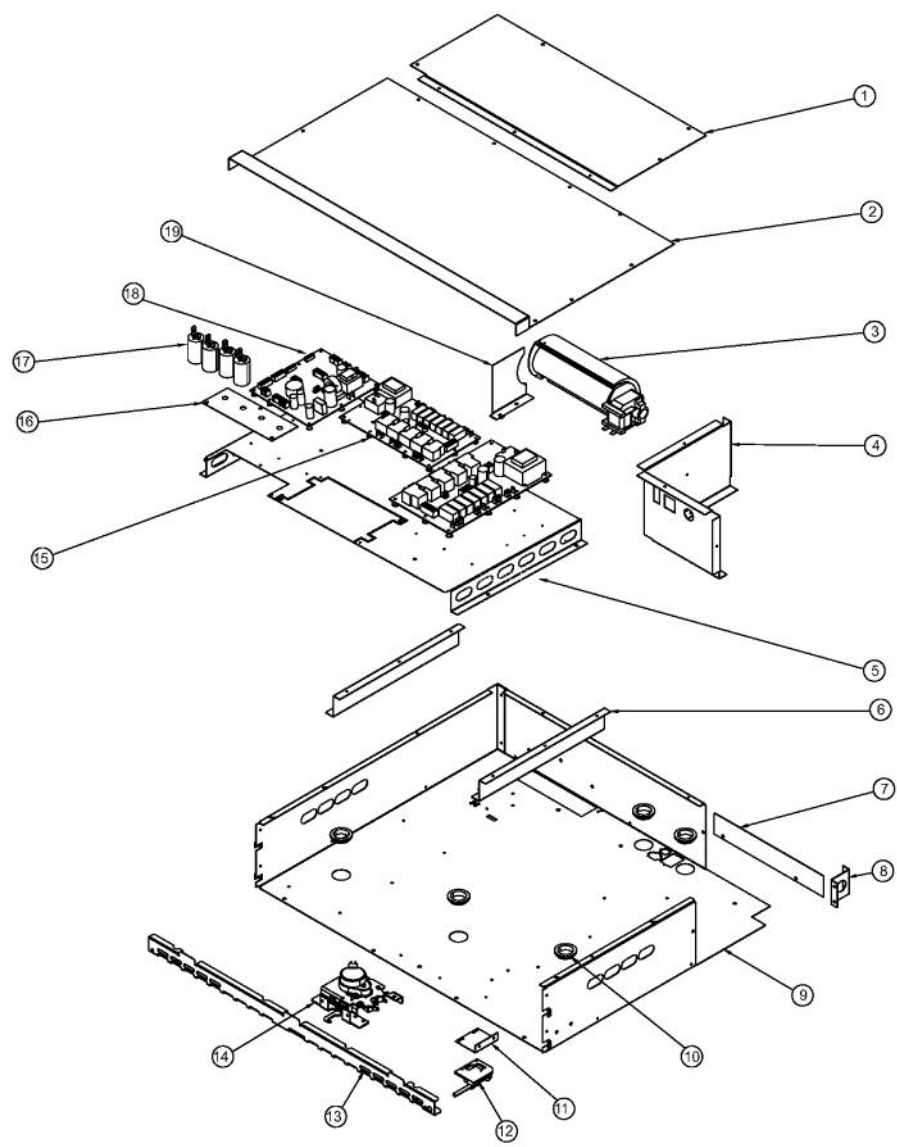


[Find Your VIKING Oven Parts - Select From 98 Models](#)

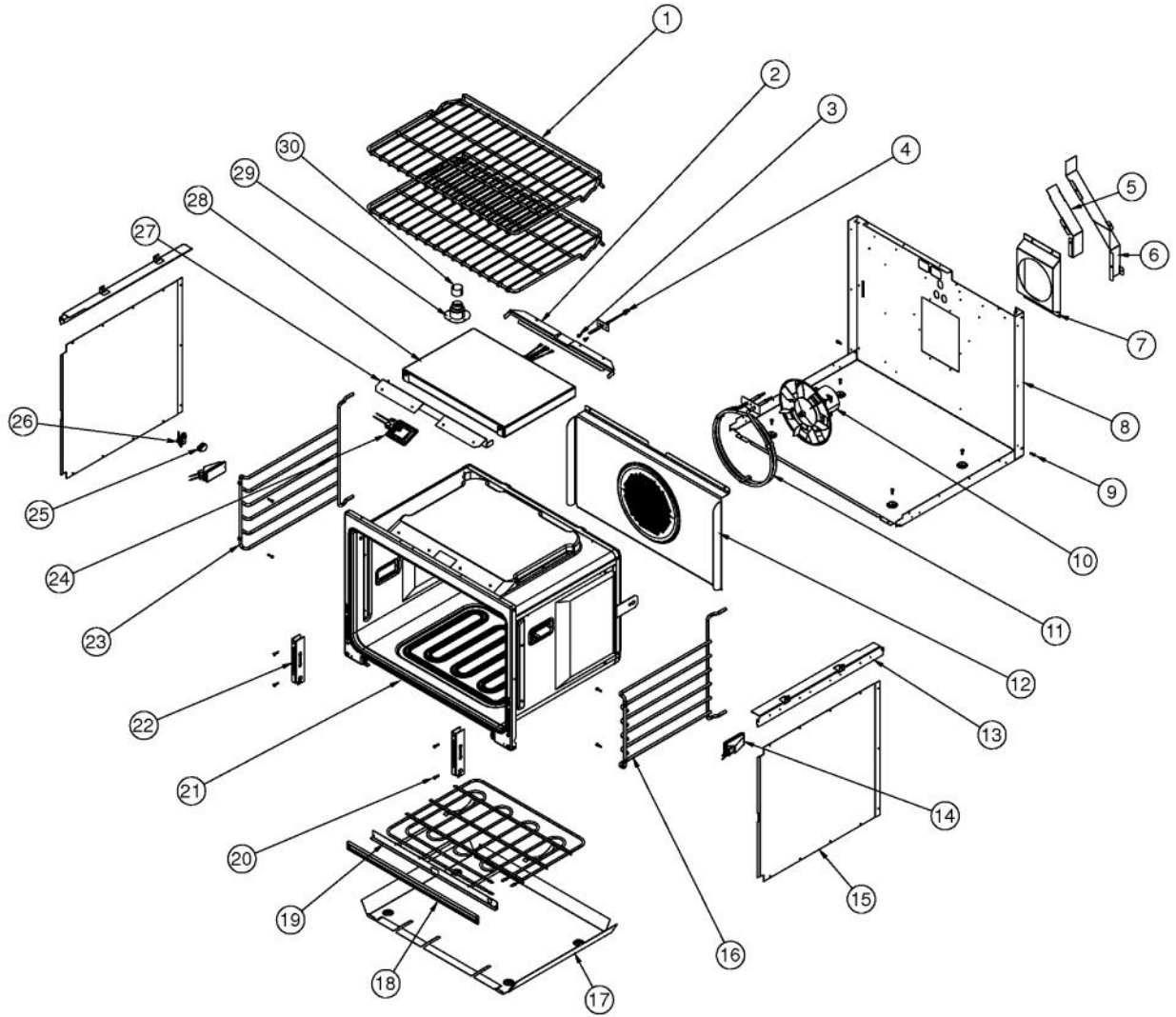
----- Manual continues below -----



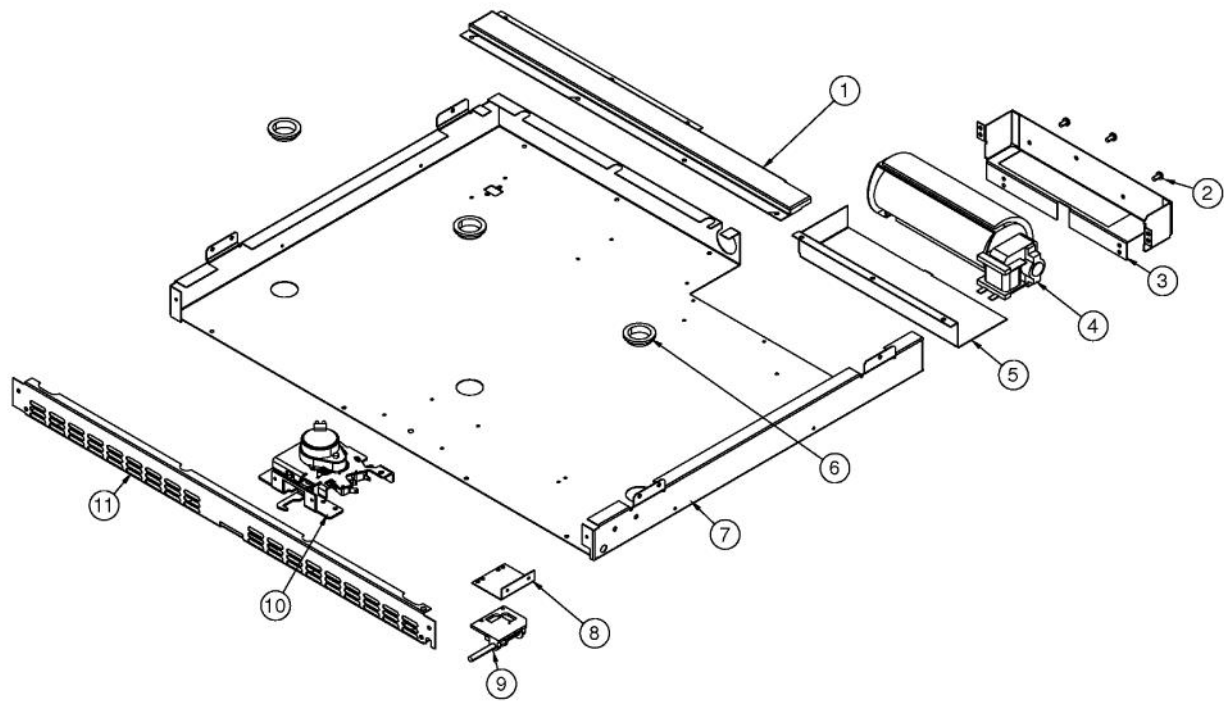
Ref #	Part Number	Qty.	Description
1	000816-000	1	30 J-MOLD (CHROME)
2	PD020004	4	10X3/8PH.HD.TYPE 25 REPL PD040125
3	000057-000	1	PRO DOUBLE SELECT TOUCH CONTROL
4	025065-000	1	PNL, CTRL, MT, 30
5	PD020032	4	SRW-8(A)X3/8PH.WFR HD 7/16DIAXNICL
6	025067-000	2	BRACKET, TOUCH
7	025066-000	1	30 SS TOUCH CONTROL PANEL



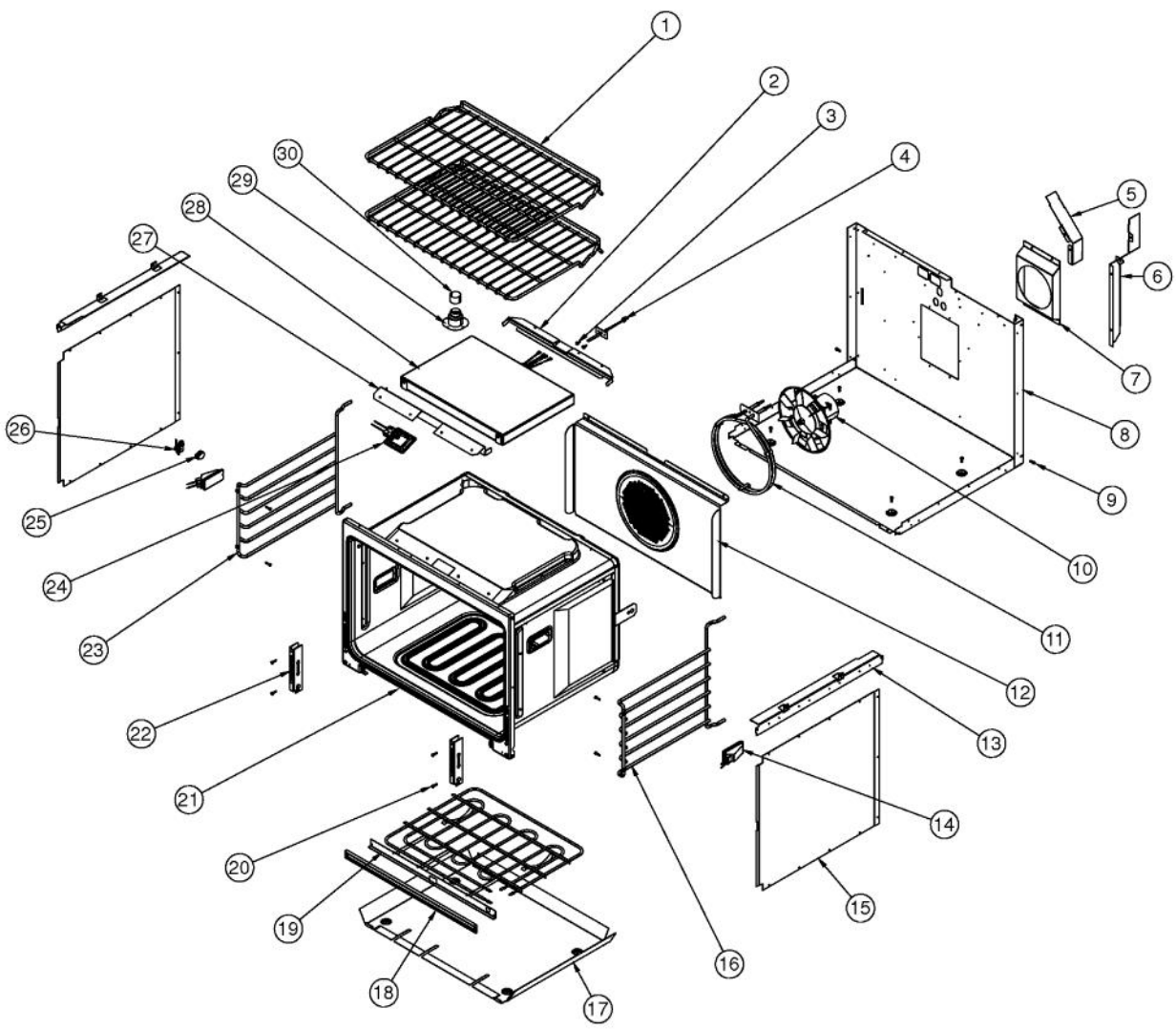
Ref #	Part Number	Qty.	Description
1	A20014049	1	30 REAR COVER
2	025057-000	1	PANEL,CVR, TOP, FR, 30
3	PE050250	1	PREMIUM BLOWER WITH HES
4	A20010934	1	BRACKET, MODULE PAN
5	023367-000	1	30 MTG PANEL, CONTROL
6	A20010910	2	BRACKET, SUPPORT, ELECTRONICS HAT
7	A10010907	1	COVER, BLOWER
8	A2009671	1	BRACKET, POWER CABLE
9	A2009643	1	MODULE PAN, TOP 30
10	PB070079	5	SILICONE EXTRUSION (DGSU)
11	A20012649	1	DOOR SWITCH BRACKET
12	PE050208	1	DOOR SWITCH
13	C20014072	1	30 INLET GRILL
14	013250-000	1	LATCH,DOOR,ASM,240V,GRIDDLE LOCKOUT
15	PE050234	2	RELAY BOARD
16	A10014027	1	4 CAPACITOR BRACKET
17	PE050247	4	EBM FAN MOTOR CAPACITOR
18	PE050233	1	CONTROL BOARD
19	A2009667	1	REAR AIR DIVIDER



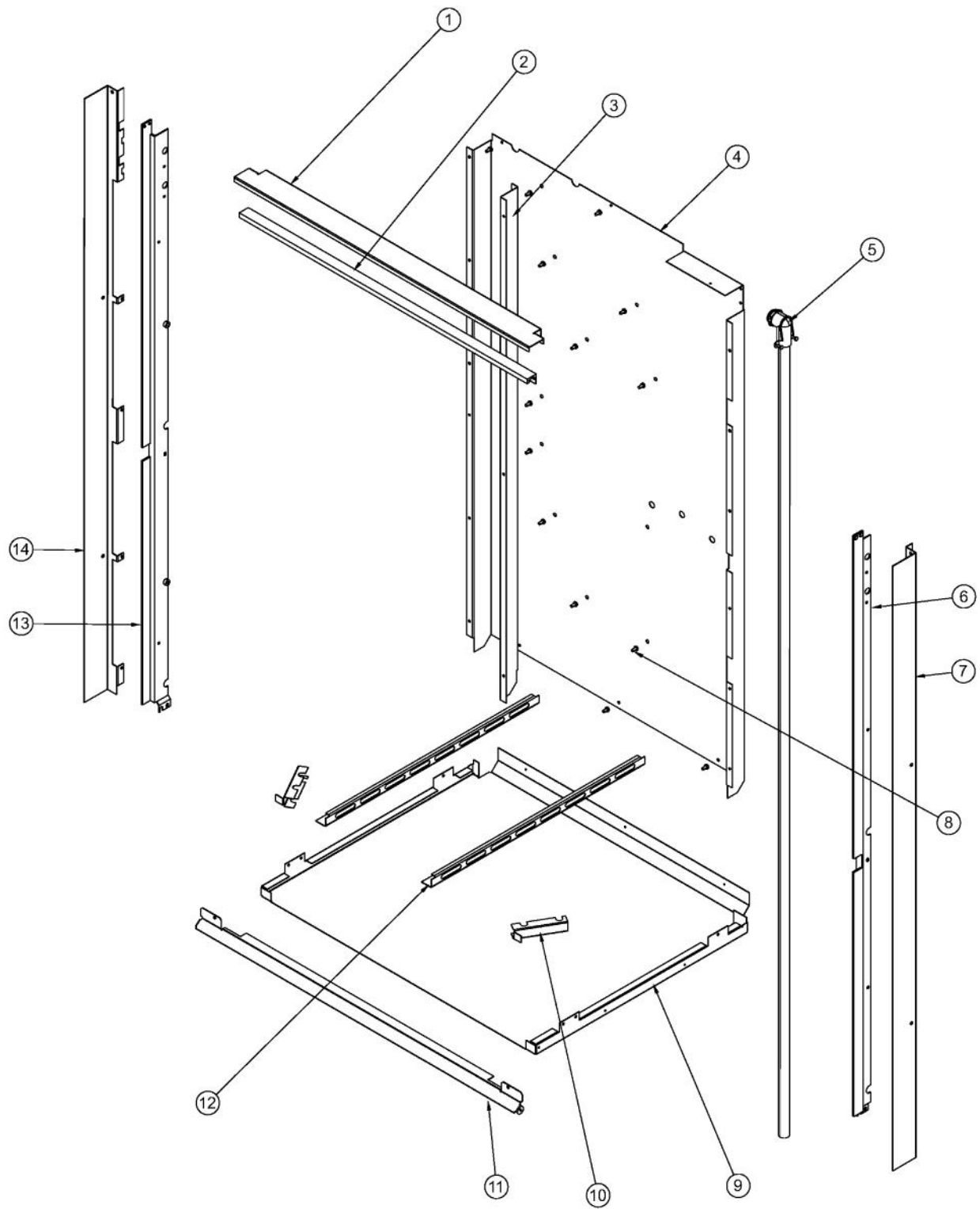
Ref #	Part Number	Qty.	Description
1	PB060107	2	30 OVEN RACK
2	B20014051	1	PREMIERE BROIL ELEMENT BRACKET REAR
3	PD020055	2	NO.10 X 1/2 PAN PHIL. TEK. SS
4	PE050206	1	RTD THERMOSTAT PROBE
5	A21010919	1	BRACKET, AIR, CONVECTION MOTOR
6	A21010918	1	BRACKET, AIR, CONVECTION MOTOR
7	A2009697	1	BRACKET, CONVECTION INSULATION
8	002019-000	1	BASE, BACK WRAPPER
9	PD020060	6	10 X 1/2 (5/16)HEX WSHER HD.(T)A
10	G32014020	1	CONVECTION FAN ASSY
11	PJ010047	1	CONVECTION ELEMENT
12	G91013598	1	30 BAFFLE ASSEMBLY
13	A2009641	2	BRKT, TOP WRAPPER
14	005311-000	2	120V/25W HALOGEN LIGHT
15	014137-000	2	WRAPPER, OVEN SIDE
17	A2009612	1	ELEMENT, MTG TRAY
18	E2109655	1	COVER, BAKE TRAY
19	PJ010048	1	BAKE ELEMENT
20	PD020232	8	NO.8 X 3/4 PH PAN HEAD TEK SCREW (BLACK OXIDE)
21	G30014039	1	30 PREMIERE CAVITY ASSY
22	PC020221	2	HINGE POCKET RECEIVER MANSFIELD RH
24	005312-000	1	BJB SLIMLINE 40 W BULB
25	PM010160	1	MEAT PROBE JACK COVER (NOT USED ON THIS MODEL)
26	PE050115	1	MEAT PROBE JACK (NOT USED ON THIS MODEL)
27	B20014050	1	PREMIERE BROIL ELEMENT BRACKET FRONT
28	PJ010049	1	BROIL ELEMENT
29	PM010014	1	SMOKE ELIMINATOR (VDSC)
30	PB020275	1	VENT TUBE



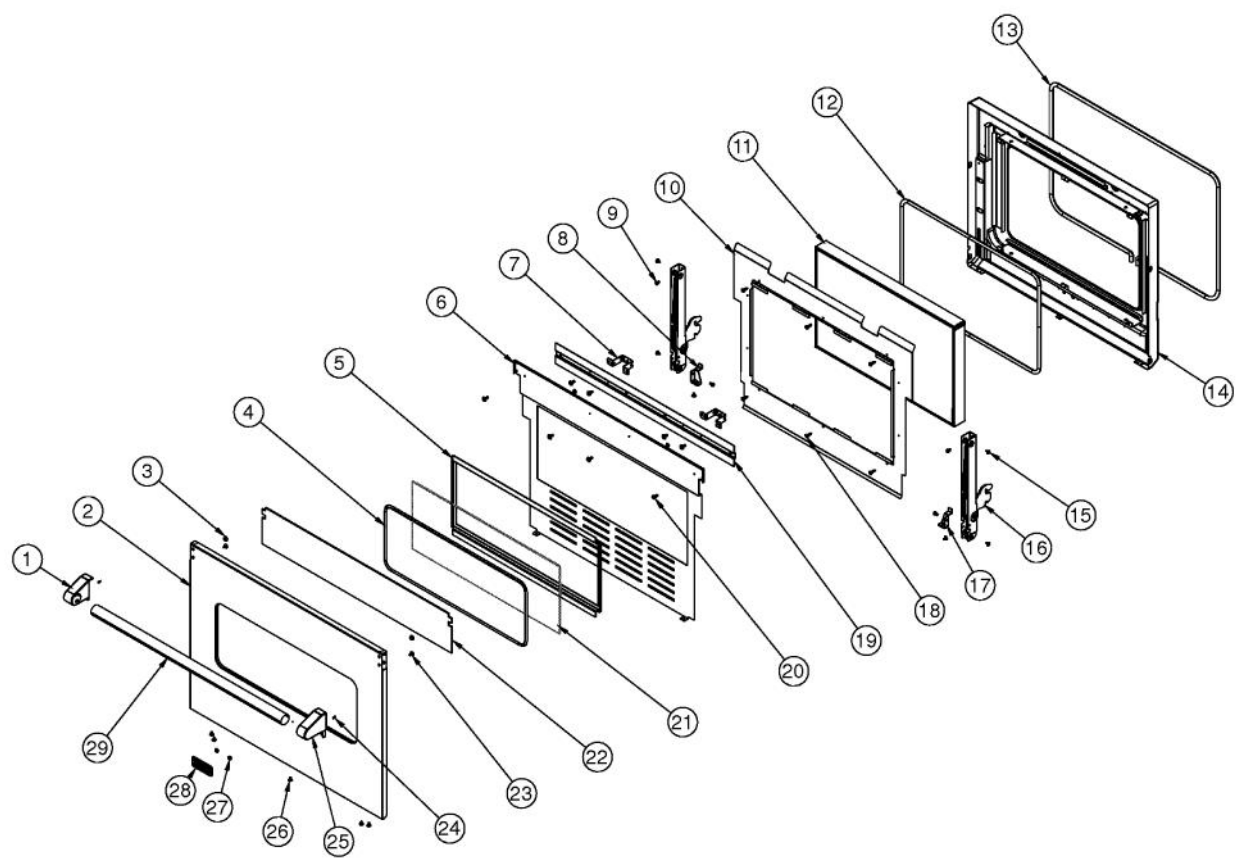
Ref #	Part Number	Qty.	Description
1	A2009682	1	CATALYST EXHAUST, MIDDLE MODULE
2	PD020004	3	10X3/8PH.HD.TYPE 25 REPL PD040125
3	A3009660	1	BRACKET, BLOWER, DBL LOWER OVEN
4	PE050250	1	PREMIUM BLOWER WITH HES
5	A2009659	1	BRACKET, FILLER, BLOWER
6	PB070079	3	SILICONE EXTRUSION (DGSU)
7	A2009661	1	MODULE PAN 30
8	A20012649	1	DOOR SWITCH BRACKET
9	PE050208	1	DOOR SWITCH
10	013250-000	1	LATCH,DOOR,ASM,240V,GRIDDLE LOCKOUT
11	20478-002	1	GRILL, INL, LOWER, DBL OVEN, 30 BK



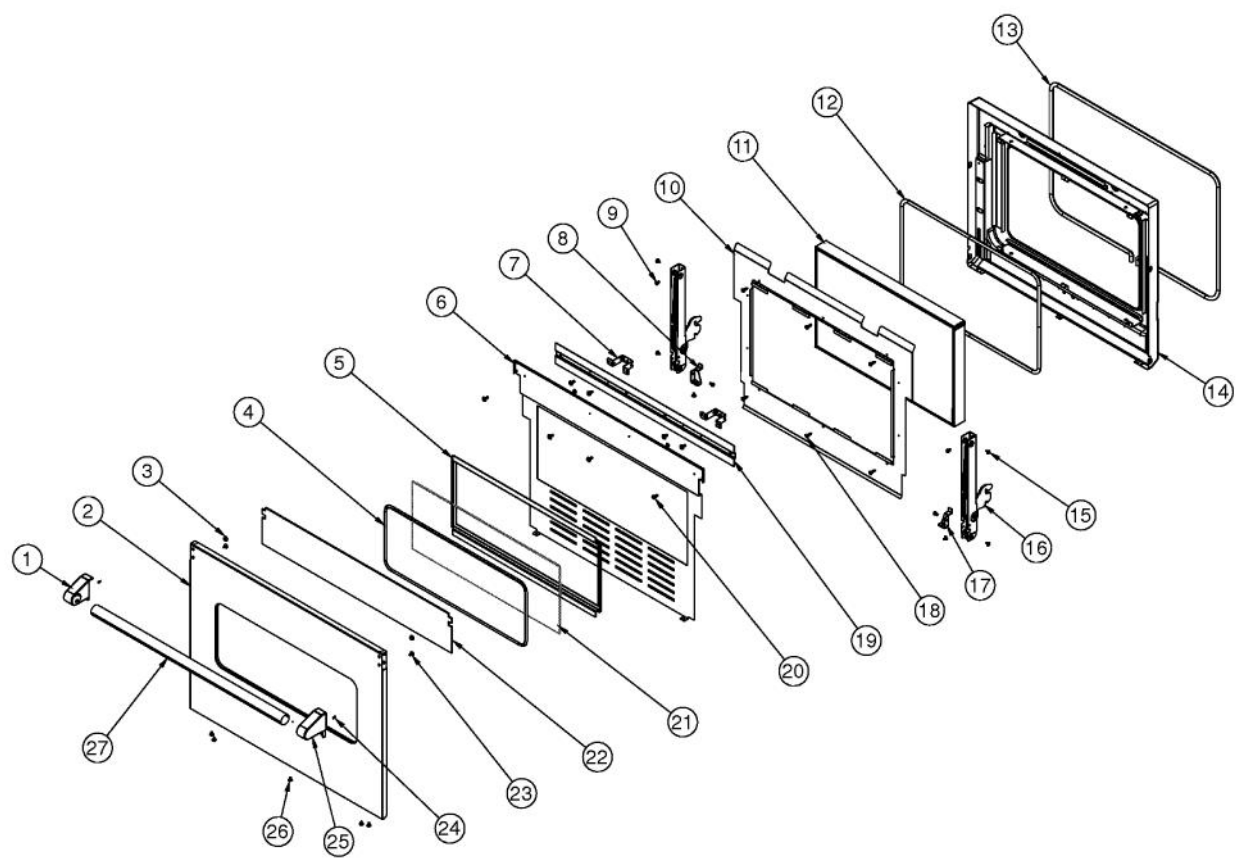
Ref #	Part Number	Qty.	Description
1	PB060107	2	30 OVEN RACK
2	B20014051	1	PREMIERE BROIL ELEMENT BRACKET REAR
3	PD020055	2	NO.10 X 1/2 PAN PHIL. TEK. SS
4	PE050206	1	RTD THERMOSTAT PROBE
5	A21010919	1	BRACKET, AIR, CONVECTION MOTOR
6	A2009699	1	REAR AIR DIVIDER, DBL, LOWER OVEN
7	A2009697	1	BRACKET, CONVECTION INSULATION
8	002019-000	1	BASE, BACK WRAPPER
9	PD020060	6	10 X 1/2 (5/16)HEX WSHER HD.(T)A
10	G32014020	1	CONVECTION FAN ASSY
11	PJ010047	1	CONVECTION ELEMENT
12	G91013598	1	30 BAFFLE ASSEMBLY
13	A2009641	2	BRKT, TOP WRAPPER
14	005311-000	2	120V/25W HALOGEN LIGHT
15	014137-000	2	WRAPPER, OVEN SIDE
17	A2009612	1	ELEMENT, MTG TRAY
18	E2109655	1	COVER, BAKE TRAY
19	PJ010048	1	BAKE ELEMENT
20	PD020232	8	NO.8 X 3/4 PH PAN HEAD TEK SCREW (BLACK OXIDE)
21	G30014039	1	30 PREMIERE CAVITY ASSY
22	PC020221	2	HINGE POCKET RECEIVER MANSFIELD RH
24	005312-000	1	BJB SLIMLINE 40 W BULB
25	PM010160	1	MEAT PROBE JACK COVER (NOT USED ON THIS MODEL)
26	PE050115	1	MEAT PROBE JACK (NOT USED ON THIS MODEL)
27	B20014050	1	PREMIERE BROIL ELEMENT BRACKET FRONT
28	PJ010049	1	BROIL ELEMENT
29	PM010014	1	SMOKE ELIMINATOR (VDSC)
30	PB020275	1	VENT TUBE



Ref #	Part Number	Qty.	Description
1	024268-000	1	TRIM, TOP, FLUSH, 30
2	024253-000	1	TRIM, TOP, 30
3	A2009684	1	REAR AIR DIVIDER, DOUBLE OVEN
4	A2009683	1	PANEL, REAR
5	001420-000	1	48 CONDUIT ASSY
6	024256-000	1	TRIM,EXTD,RH, DBL
7	024266-000	1	TRIM, R, FLUSH, DBL
8	PD020004	15	10X3/8PH.HD.TYPE 25 REPL PD040125
9	A2009623	1	BASE PAN 30
10	A20012739	2	BASE PAN CORNER BRACE
11	025063-002	1	DEFLECTOR, VENT, LOWER, 30, (BK)
12	A20012740	2	STIFFENER, BASE PAN
13	024257-000	1	TRIM,EXTD,LH, DBL
14	024267-000	1	TRIM, L, FLUSH, DBL



Ref #	Part Number	Qty.	Description
1	025186-000	1	ENDCAP, DOOR HDL, ASM, LH
1	025186-100	1	ENDCAP,DOOR HDL,ASM,LH (BR)
2	023992-000	1	PANEL,DOOR,W LOGO 30, SS (NOT FIELD REPLACEABLE - MUST ORDER DOOR PANEL A...
3	004907-000	2	STEEL FINISHING PLUG, NICKEL PLTD 25/64 HOLE
4	PE060105	1	30 J-MOLD (CHROME) NOT FIELD REPLACEABLE
5	L20014077	1	30 WINDOW HOLDER NOT FIELD REPLACEABLE
6	023994-000	1	PANEL,INSL
7	024005-000	2	BRACKET
8	A20012641	1	HINGE SUPPORT LH
9	PD020004	4	10X3/8PH.HD.TYPE 25 REPL PD040125
10	A2009632	1	PANEL, INULATION, INNER DOOR
11	PE060094	1	30 WINDOW PACK
12	000594-066	1	BLACK FIBERGLASS ROPE 3/8
13	PB070246	1	30 DOOR GASKET
14	G9109625	1	DOOR LINER PORC.
15	PD020063	8	SCREW-NO.8(A) X 3/8PH WFR HD/BK OXID
16	023799-000	2	HINGE, MANSFIELD, RED
17	A20012640	1	HINGE SUPPORT RH
18	PD020014	6	10X3/4 PH TR HD SMS
19	002732-000	1	DOOR SKIN MOUNTING BRACKET ASSY
20	PD020033	8	SRW-NO.10-24X1/2T(23)PH.WFR HD (NKL)
21	PE060090	1	30 PROF. OUTER DOOR GLASS
22	025264-000	1	PANEL,INSL,30, DOOR
23	PD020073	2	SRW NO.10 X 24 X 3/8 WAFER HD TYPE23
24	003650-000	2	SET SCREW
25	025187-000	1	ENDCAP, DOOR HDL, ASM, RH
25	025187-100	1	ENDCAP,DOOR HDL,ASM,RH (BR)
26	PD020032	5	SRW-8(A)X3/8PH.WFR HD 7/16DIAXNICL
27	PD030006	2	CAPPED WASHER PAL NUT
28	PE010142	1	3 LOGO XBKXXCHROME
28	PE010143	1	3 LOGO BK/BR
28	PE010145	1	LOGO - WH / BR
29	023998-000	1	HANDLE, DOOR, SST, 30
NI	023995-000	1	30 PRO DOOR PANEL ASM, W/LOGO, SS
NI	025510-002	1	30 PRO DOOR PANEL ASM W/LOGO, BK
NI	025510-006	1	30 PRO DOOR PANEL ASM W/LOGO, WH
NI	023995-100	1	30 PRO DOOR PANEL ASM, W/LOGO, SS/BR
NI	025510-102	1	30 PRO DOOR PANEL ASM W/LOGO, BK/BR
NI	025510-106	1	30 PRO DOOR PANEL ASM W/LOGO, WH/BR
NI	023999-000	1	30 DOOR ASM, W/LOGO, SS
NI	025511-002	1	30 DOOR ASM, W/LOGO, BK
NI	025511-006	1	30 DOOR ASM, W/LOGO, WH
NI	023999-100	1	30 DOOR ASM, W/LOGO, SS/BR
NI	025511-102	1	30 DOOR ASM, W/LOGO, BK/BR
NI	025511-106	1	30 DOOR ASM, W/LOGO, WH/BR
NI	036914-000	1	30 WALL OVEN DOOR SERVICE KIT (FOR UNITS MANUFACTURED BEFORE 2/14/12



Ref #	Part Number	Qty.	Description
1	025186-000	1	ENDCAP, DOOR HDL, ASM, LH
1	025186-100	1	ENDCAP,DOOR HDL,ASM,LH (BR)
2	024987-000	1	PANEL,DOOR,NO LOGO,30 (NOT FIELD REPLACEABLE - MUST ORDER DOOR PANEL A...
3	004907-000	2	STEEL FINISHING PLUG, NICKEL PLTD 25/64 HOLE
4	PE060105	1	30 J-MOLD (CHROME) NOT FIELD REPLACEABLE
5	L20014077	1	30 WINDOW HOLDER NOT FIELD REPLACEABLE
6	023994-000	1	PANEL,INSL
7	024005-000	2	BRACKET
8	A20012641	1	HINGE SUPPORT LH
9	PD020004	4	10X3/8PH.HD.TYPE 25 REPL PD040125
10	A2009632	1	PANEL, INULATION, INNER DOOR
11	PE060094	1	30 WINDOW PACK
12	000594-066	1	BLACK FIBERGLASS ROPE 3/8
13	PB070246	1	30 DOOR GASKET
14	G9109625	1	DOOR LINER PORC.
15	PD020063	8	SCREW-NO.8(A) X 3/8PH WFR HD/BK OXID
16	023799-000	2	HINGE, MANSFIELD, RED
17	A20012640	1	HINGE SUPPORT RH
18	PD020014	6	10X3/4 PH TR HD SMS
19	002732-000	1	DOOR SKIN MOUNTING BRACKET ASSY
20	PD020033	8	SRW-NO.10-24X1/2T(23)PH.WFR HD (NKL)
21	PE060090	1	30 PROF. OUTER DOOR GLASS
22	025264-000	1	PANEL,INSL,30, DOOR
23	PD020073	2	SRW NO.10 X 24 X 3/8 WAFER HD TYPE23
24	003650-000	2	SET SCREW
25	025187-000	1	ENDCAP, DOOR HDL, ASM, RH
25	025187-100	1	ENDCAP,DOOR HDL,ASM,RH (BR)
26	PD020032	5	SRW-8(A)X3/8PH.WFR HD 7/16DIAXNICL
27	023998-000	1	HANDLE, DOOR, SST, 30
NI	024996-000	1	30 DOOR PANEL ASM, W/O LOGO, SS
NI	025513-002	1	30 DOOR PANEL ASM, W/O LOGO, (BK/BR)
NI	025513-006	1	30 DOOR PANEL ASM, W/O LOGO, (WH/BR)
NI	024996-100	1	30 DOOR PANEL ASM, W/O LOGO, SS/BR
NI	025513-102	1	30 DOOR PANEL ASM, W/O LOGO, (BK/BR)
NI	025513-106	1	30 DOOR PANEL ASM, W/O LOGO, (WH/BR)
NI	024997-000	1	30 DOOR ASM, W/O LOGO
NI	025514-002	1	30 DOOR ASM W/O LOGO, DCBZ (BK/BR)
NI	025514-006	1	30 DOOR ASM W/O LOGO, DCBZ (WH/BR)
NI	024997-100	1	30 DOOR ASM W/O LOGO, SS/BR
NI	025514-102	1	30 DOOR ASM W/O LOGO, DCBZ (BK/BR)
NI	025514-106	1	30 DOOR ASM W/O LOGO, DCBZ (WH/BR)
NI	036914-000	1	30 WALL OVEN DOOR SERVICE KIT (FOR UNITS MANUFACTURED BEFORE 2/14/12

*No Image
Available*

Ref #	Part Number	Qty.	Description
NI	PE070733	1	UPPER LATCH HARNESS
NI	PE070739	2	BAKE ELEMENT HARNESS
NI	001421-000	1	CONDUIT, ELECTRICAL CORD, 70``
NI	G4005498	1	SUPPLY WIRE - 100 WH 12GA SO/DO
NI	PE070842	1	UPPER TOUCH CONTROL HARNESS
NI	PE070843	1	LOWER TOUCH CONTROL HARNESS
NI	PE070882	1	LOWER LATCH HARNESS
NI	PE070884	1	TOUCH CONTROL LOWER RELAY HARNESS
NI	PE070883	1	TOUCH CONTROL UPPER RELAY HARNESS
NI	PE070885	1	TOUCH CONTROL DOUBLE HYPOT HARNESS
NI	PE070845	1	TOUCH CONTROL KEYBOARD HARNESS
NI	PE070846	1	TOUCH CONTROL DISPLAY HARNESS
NI	002082-000	1	WHITE LIGHT JUMPER
NI	002083-000	1	RED LIGHT JUMPER