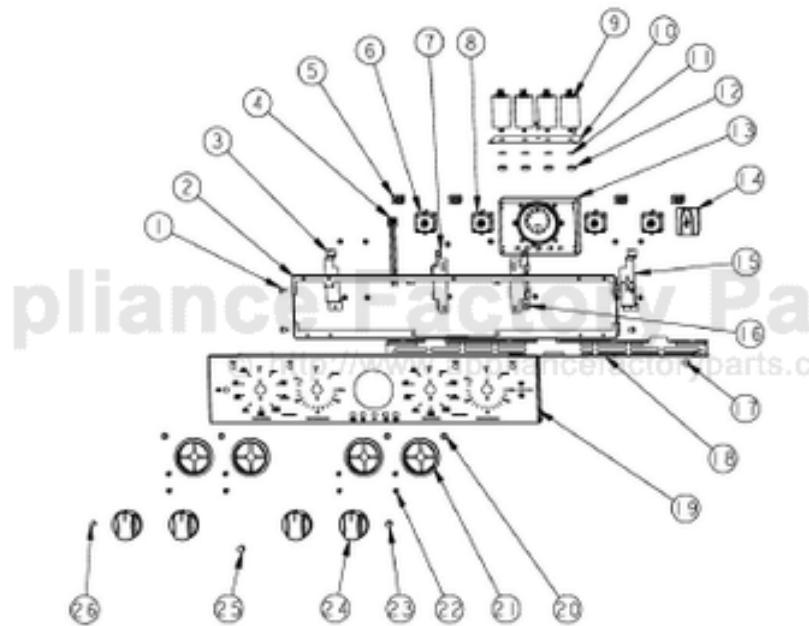


This Owner's Manual is provided and hosted by Appliance Factory Parts.



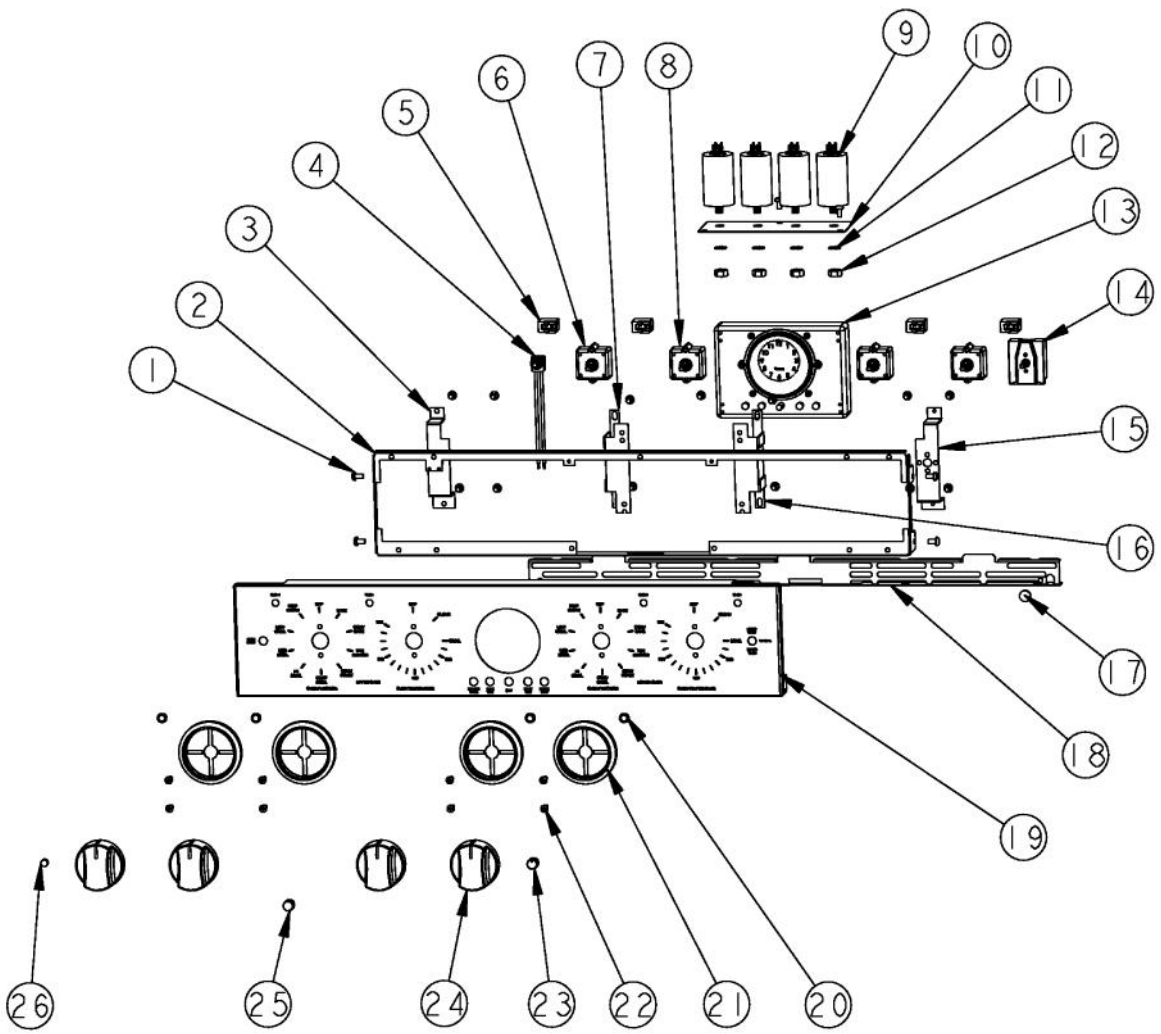
VIKING VEDO5271 Owner's Manual

[Shop genuine replacement parts for VIKING VEDO5271](#)

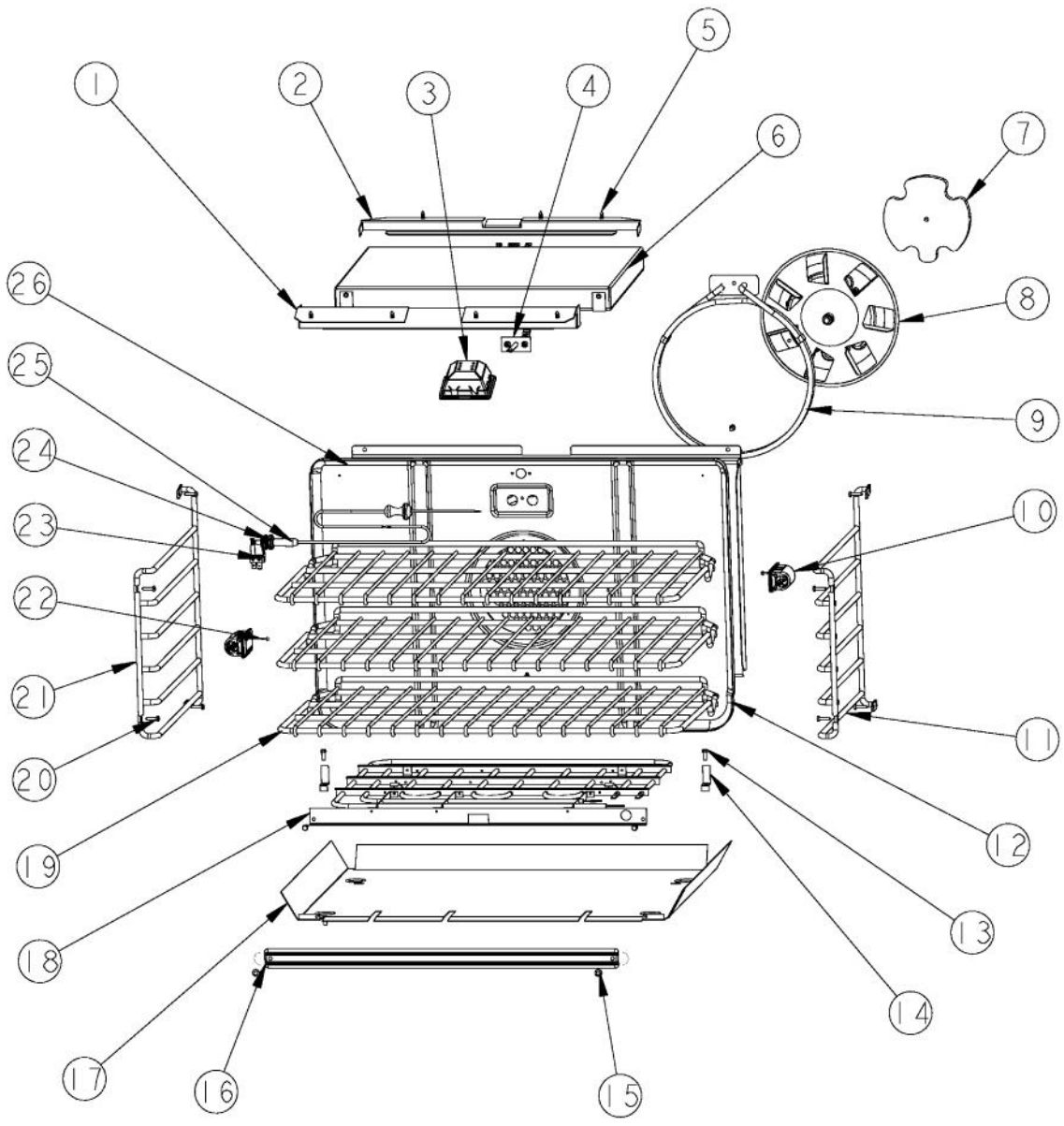


[Find Your VIKING Oven Parts - Select From 98 Models](#)

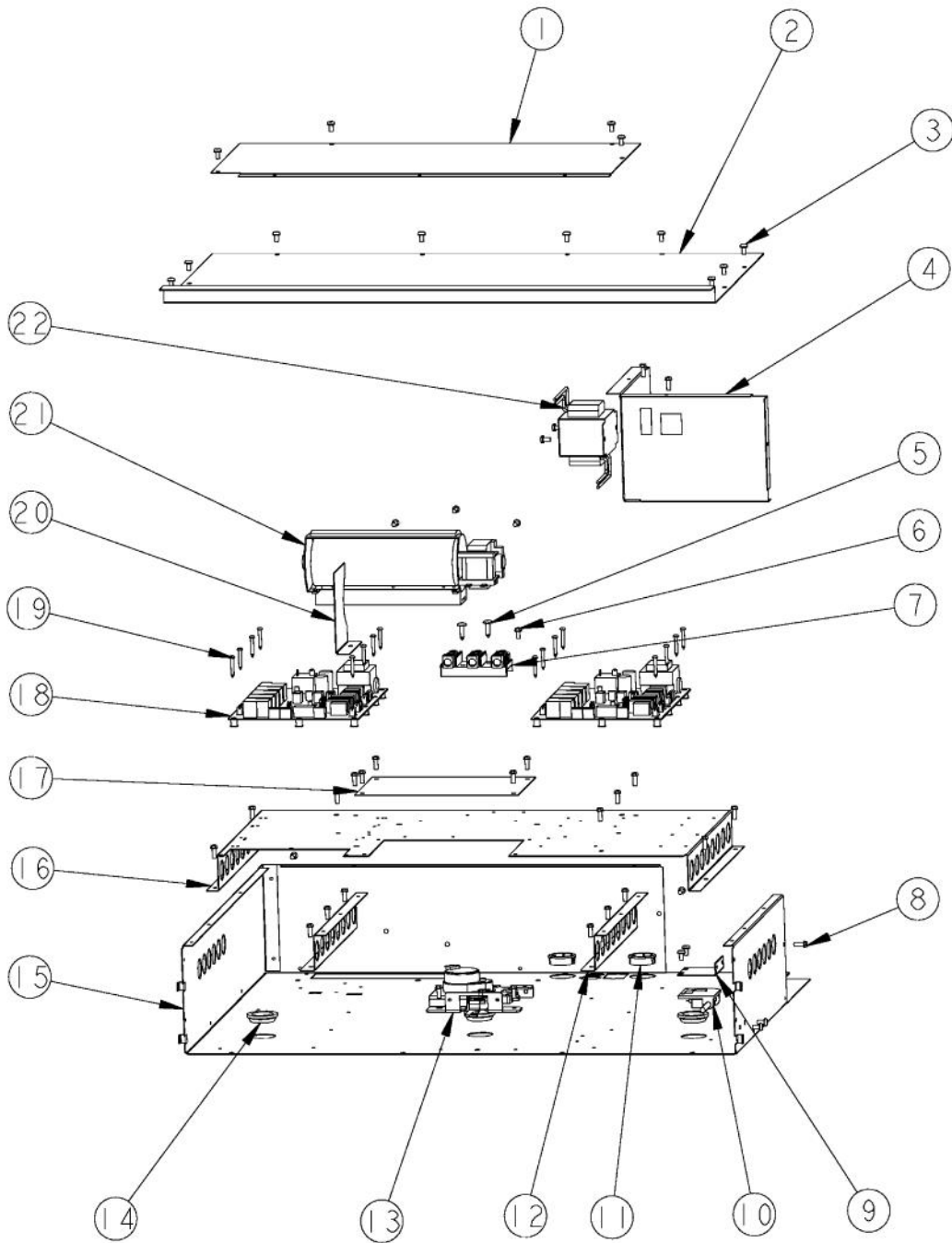
----- Manual continues below -----



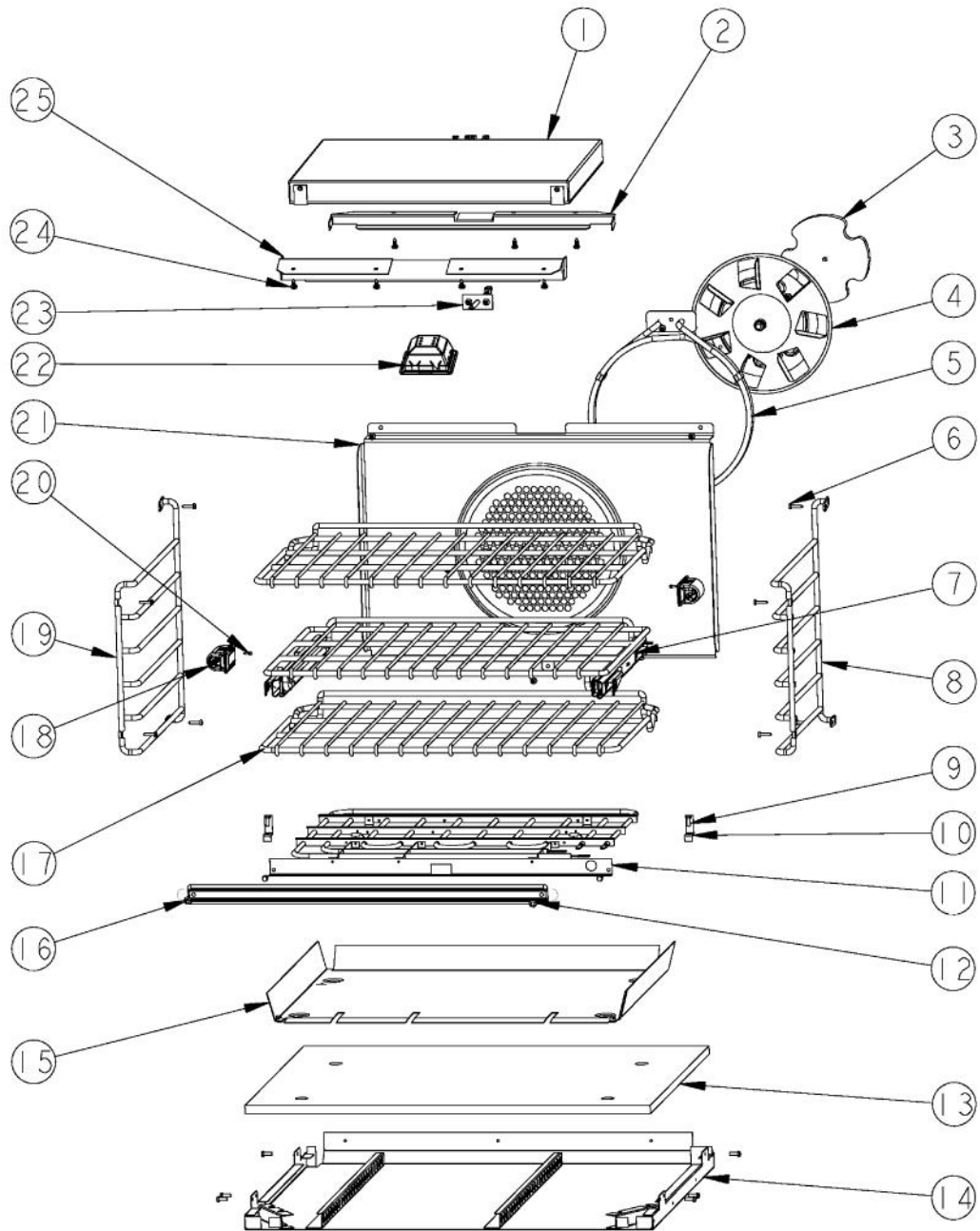
Ref #	Part Number	Qty.	Description
1	PD020004	19	10X3/8PH.HD.TYPE 25 REPL PD040125
2	009600-000	1	MOUNT, PNL
3	009589-000	1	BRACKET, LT
4	PE050076	1	DESIGNER OVEN LIGHT SWITCH
5	PE050072	4	LENS OPENING (250 VOLT)
6	PJ030033	2	SELECTOR (10 POS)
7	007671-000	1	BRACKET, CLOCK LEFT
8	PJ030035	1	THERMOSTAT
9	PE050247	4	EBM FAN MOTOR CAPACITOR
10	A10014027	1	4 CAPACITOR BRACKET
11	PD040164	4	5/16 INTERNAL TOOTH LOCK WASHER TYPE A
12	PD030172	4	M8 X 1.25MM NUT
13	PE050140	1	ANALOG CLOCK 220V 50/60H
14	PJ030036	1	3 POSITION SELECTOR SWITCH
15	007698-000	1	BRACKET, SWITCH SELECTOR
16	007674-000	1	BRACKET, CLOCK RIGHT
17	PD040004	2	GROMMET BUMPER
18	C90014072BK	1	30 INLET GRILL
18	C90014072WH	1	30 INLET GRILLXWHX
19	008028-000	1	27 DOUBLE PRO PREMIERE CONTROL PANEL SS
20	PE050023	4	OVEN IND. LIGHT (LENS & BEZEL)
21	PB010304	4	KNOB BEZEL
22	PD020261	8	NO.8-32X1/2 PH PANHEAD MACH. SCREW
23	PA010192	1	DES. MANUAL TIME KNOB
24	PB010305	4	PROF. SELECTOR/THERMOSTAT KNOB
25	PB010313	1	DESIGNER BIT GENERATOR KNOB
26	PA010093	1	DESIGNER OVEN LT SWITCH KNOB



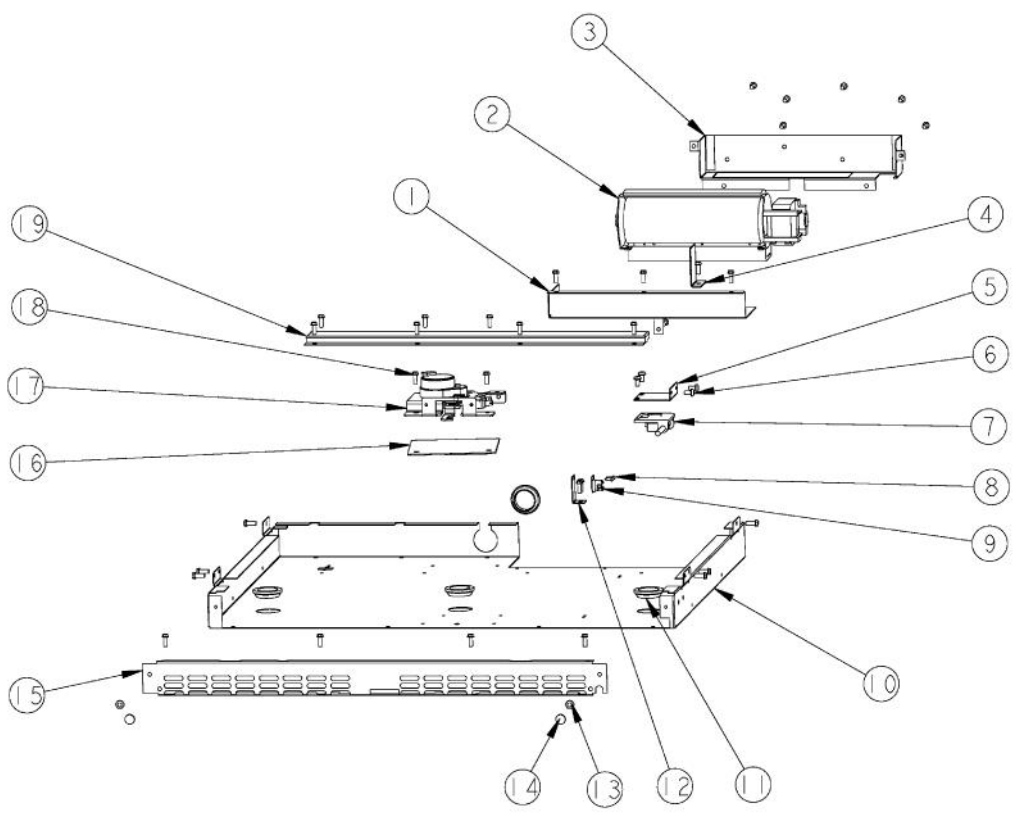
Ref #	Part Number	Qty.	Description
1	B20014050	1	PREMIERE BROIL ELEMENT BRACKET FRONT
2	B20014051	1	PREMIERE BROIL ELEMENT BRACKET REAR
3	PE050239	1	HALOGEN LAMP
4	PE050206	1	RTD THERMOSTAT PROBE
5	PD020055	15	NO.10 X 1/2 PAN PHIL. TEK. SS
6	PJ010050	1	SEALED BROIL ELEMENT W/GLASS
7	PB070312	1	CONVECTION MOTOR MTG. PLATE INSULATION
8	G32014020	1	CONVECTION FAN ASSY
9	PJ010047	1	CONVECTION ELEMENT
10	PE050238	2	120 VOLT SIDE HALOGEN LIGHT
11	PB060103	1	RACK SUPPORT RH
12	NOT REPLACEABLE	1	OVEN CAVITY (NOT REPLACEABLE PART)
13	PD020060	12	10 X 1/2 (5/16)HEX WSHR HD.(T)A
14	A2009696	2	HOLDER, BAKE ELEMENT
15	PD020063	7	SCREW-NO.8(A) X 3/8PH WFR HD/BK OXID
16	E9106555	1	BAKE TRAY COVER
17	A20010932	1	ELEMENT, MTG TRAY
18	PJ010048	1	BAKE ELEMENT
19	PB060105	2	27 OVEN RACK
20	PD020232	8	NO.8 X 3/4 PH PAN HEAD TEK SCREW (BLACK OXIDE)
21	PB060104	1	RACK SUPPORT LH
22	PD020013	2	TYPE AB NO.6 X 3/8 PH PAN HD. SMS
23	PE050115	1	MEAT PROBE JACK
24	PM010160	1	MEAT PROBE JACK COVER
25	PE050114	1	MEAT PROBE (DESO/DEDO) (SWITCHCRAFT'S PART NO. 4...
26	G91013597	1	27 BAFFLE ASSEMBLY



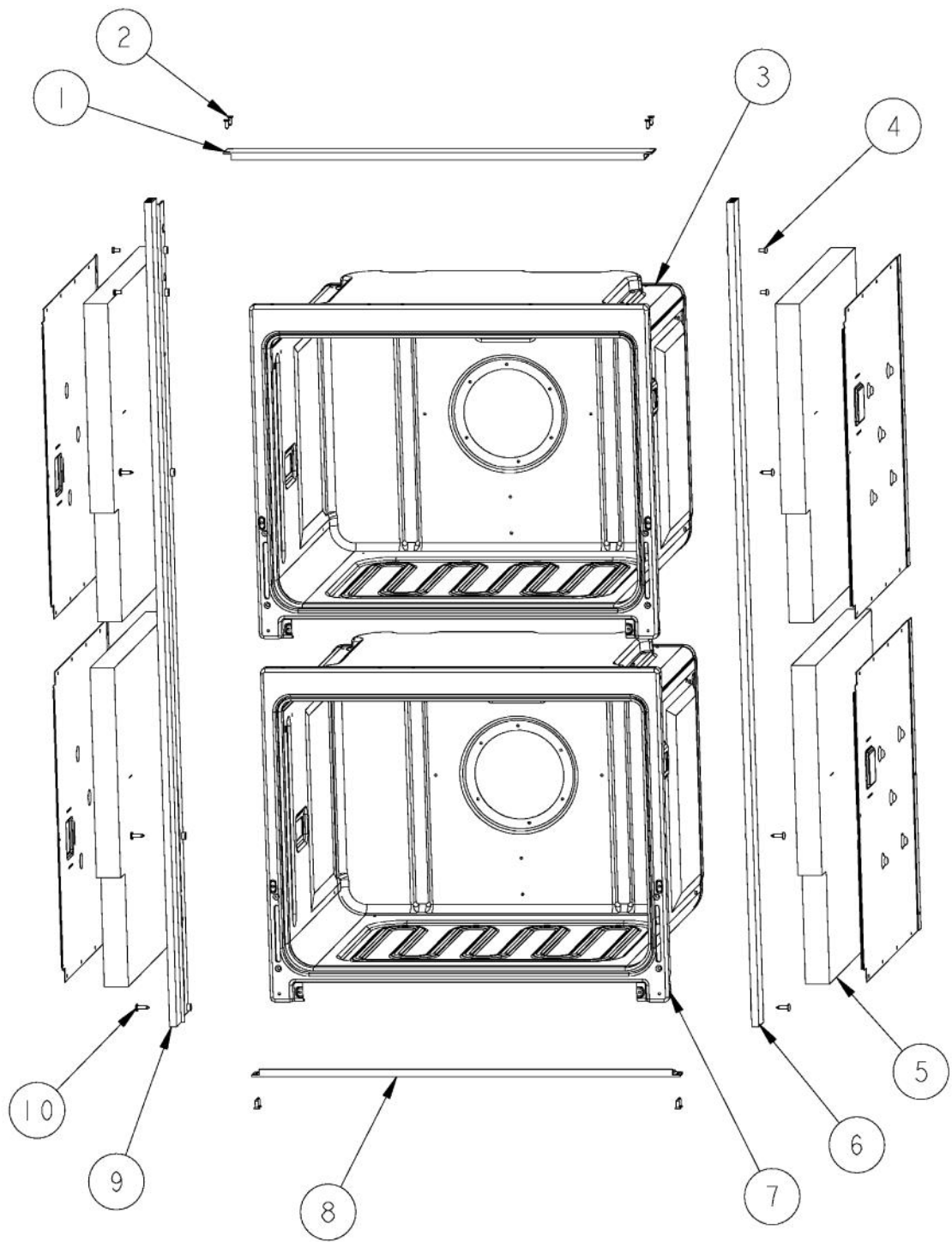
Ref #	Part Number	Qty.	Description
1	A20014047	1	27 REAR COVER
2	A20014046	1	27 FRONT COVER
3	A20010934	1	BRACKET, MODULE PAN
4	PD020010	1	10 X 3/8 GREEN GROUNDING SCREW
5	PE070147	1	TERMINAL BLOCK
6	PD020170	2	NO.6-32 X 1/2 PHILLIPS C.S. TYPE F SCREW
7	A20010910	2	BRACKET, SUPPORT, ELECTRONICS HAT
8	A20012649	1	DOOR SWITCH BRACKET
9	PE050208	1	DOOR SWITCH
10	PD020060	23	10 X 1/2 (5/16)HEX WSHER HD.(T)A
11	PD020004	24	10X3/8PH.HD.TYPE 25 REPL PD040125
12	PD040152	2	SNAP BUSHING
13	PB070079	3	SILICONE EXTRUSION (DGSU)
14	NOT REPLACEABLE	N/A	OVEN CAVITY (NOT REPLACEABLE PART)
15	PE050210	1	DOOR LATCH BEFORE 1/21/09
15	013250-000	2	LATCH,DOOR,ASM,240V,GRIDDLE LOCKOUT USED BETWEEN 1/21/09 - 10/31/2013
15	039293-000	2	LATCH, ELEC, 240V, ASSY AFTER 10/31/2013
16	A20010935	1	ELECTRONICS HAT
17	A10010911	1	COVER, LATCH
18	PE070631	16	CONTROL BOARD
19	PD020014	2	10X3/4 PH TR HD SMS
20	A2009667	1	REAR AIR DIVIDER
21	PE050250	1	PREMIUM BLOWER WITH HES BEFORE 2/4/2013
21	018607-000	1	FAN,BLO, 220-240V 50/60HZ ASSY AFTER 2/4/2013



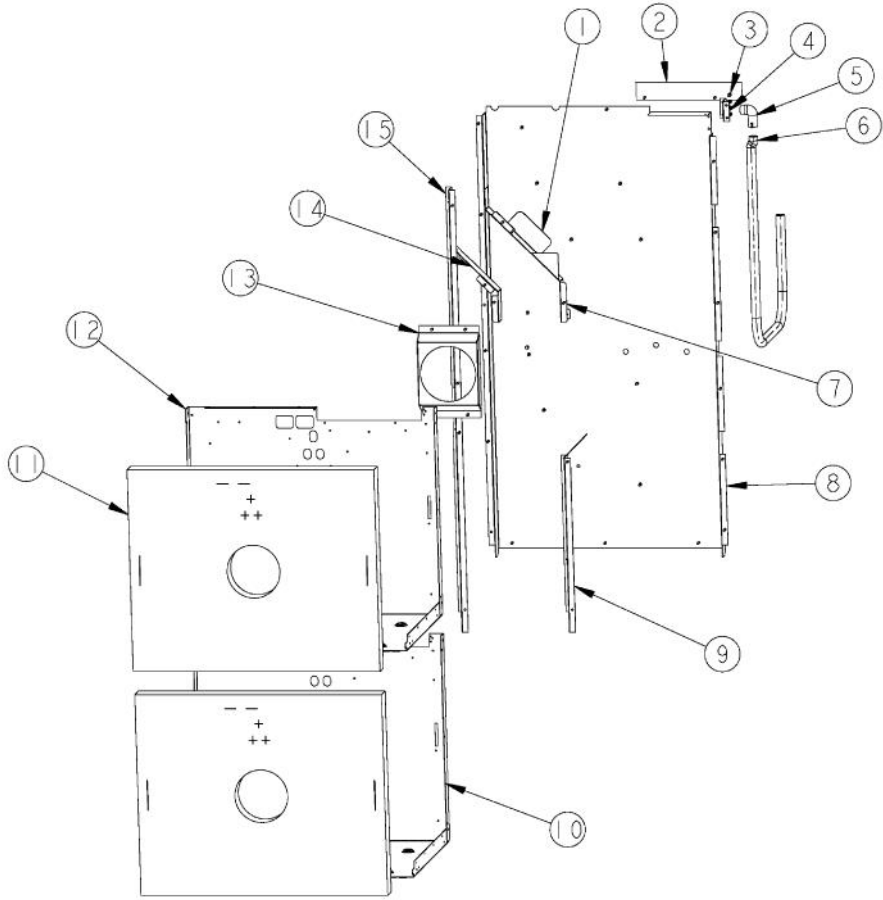
Ref #	Part Number	Qty.	Description
1	PJ010050	1	SEALED BROIL ELEMENT W/GLASS
2	B20014051	1	PREMIERE BROIL ELEMENT BRACKET REAR
3	PB070312	1	CONVECTION MOTOR MTG. PLATE INSULATION
4	G32014020	1	CONVECTION FAN ASSY
5	PJ010047	1	CONVECTION ELEMENT
6	PD020232	8	NO.8 X 3/4 PH PAN HEAD TEK SCREW (BLACK OXIDE)
7	PB060106	1	27 SLIDING OVEN RACK
8	PB060103	1	RACK SUPPORT RH
9	PD020060	11	10 X 1/2 (5/16)HEX WSHR HD.(T)A
10	A2009696	2	HOLDER, BAKE ELEMENT
11	PJ010048	1	BAKE ELEMENT
12	PD020063	2	SCREW-NO.8(A) X 3/8PH WFR HD/BK OXID
13	PB070300	1	27 BOTTOM INSULATION
14	G30010922	1	BASE MODULE ASSY 27
15	A20010932	1	ELEMENT, MTG TRAY
16	E9109655	1	BAKE TRAY COVER
17	PB060105	2	27 OVEN RACK
18	PE050238	2	120 VOLT SIDE HALOGEN LIGHT
19	PB060104	1	RACK SUPPORT LH
20	PD020013	2	TYPE AB NO.6 X 3/8 PH PAN HD. SMS
21	G91013597	1	27 BAFFLE ASSEMBLY
22	PE050239	1	HALOGEN LAMP
23	PE050206	1	RTD THERMOSTAT PROBE
24	PD020055	15	NO.10 X 1/2 PAN PHIL. TEK. SS
25	B20014050	1	PREMIERE BROIL ELEMENT BRACKET FRONT



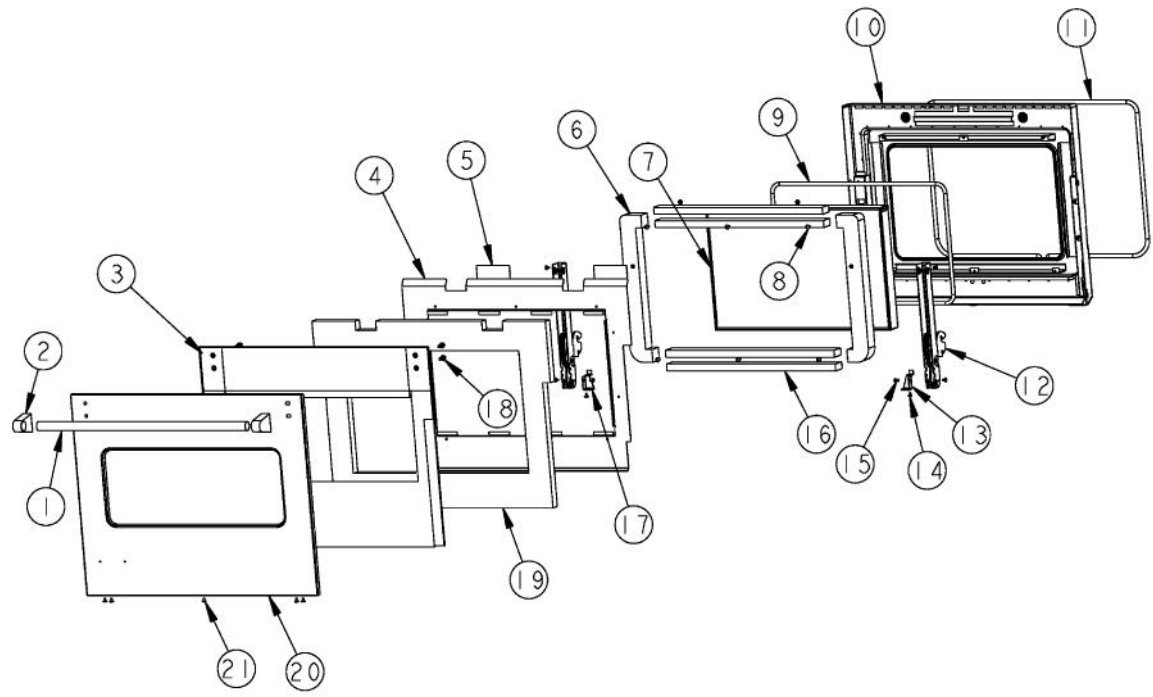
Ref #	Part Number	Qty.	Description
1	A2009659	1	BRACKET, FILLER, BLOWER
2	PE050250	1	PREMIUM BLOWER WITH HES
3	A3009660	1	BRACKET, BLOWER, DBL LOWER OVEN
4	A20014036	1	BOTTOM BLOWER DIVIDER
5	A20012649	1	DOOR SWITCH BRACKET
6	PD020004	4	10X3/8PH.HD.TYPE 25 REPL PD040125
7	PE050208	1	DOOR SWITCH
8	PD020063	2	SCREW-NO.8(A) X 3/8PH WFR HD/BK OXID
9	PJ030039	1	BI-METAL THERMOSTAT 275 DEGREES
10	NOT REPLACEABLE	N/A	OVEN CAVITY (NOT REPLACEABLE PART)
11	PB070079	4	SILICONE EXTRUSION (DGSU)
12	A20014089	1	DISC BRACKET
13	PD020013	2	TYPE AB NO.6 X 3/8 PH PAN HD. SMS
14	PD040004	2	GROMMET BUMPER
15	C90012803BK	1	INLET GRILL DBL LOWER OVEN 27
16	PB070321	1	LOWER LATCH INSULATION
17	PE050210	1	DOOR LATCH
18	PD020060	28	10 X 1/2 (5/16)HEX WSHR HD.(T)A
19	A20012808	1	CATALYST EXHAUST, MIDDLE MODULE



Ref #	Part Number	Qty.	Description
1	PE040271	1	27 PROF. TOP TRIM
2	PD020045	8	NO.8 X 1/2 PH FLAT TEK (ZINC)
3	NOT REPLACEABLE	N/A	OVEN CAVITY (NOT REPLACEABLE PART)
4	PD020004	4	10X3/8PH.HD.TYPE 25 REPL PD040125
5	PB070302	5	SIDE INSULATION
6	PE040277	1	PROF. DOUBLE SIDE TRIM RH
7	NOT REPLACEABLE	N/A	OVEN CAVITY (NOT REPLACEABLE PART)
8	PE040272	1	27 PROF. BOTTOM TRIM
9	PE040278	1	PROF. DOUBLE SIDE TRIM LH
10	PD020014	6	10X3/4 PH TR HD SMS

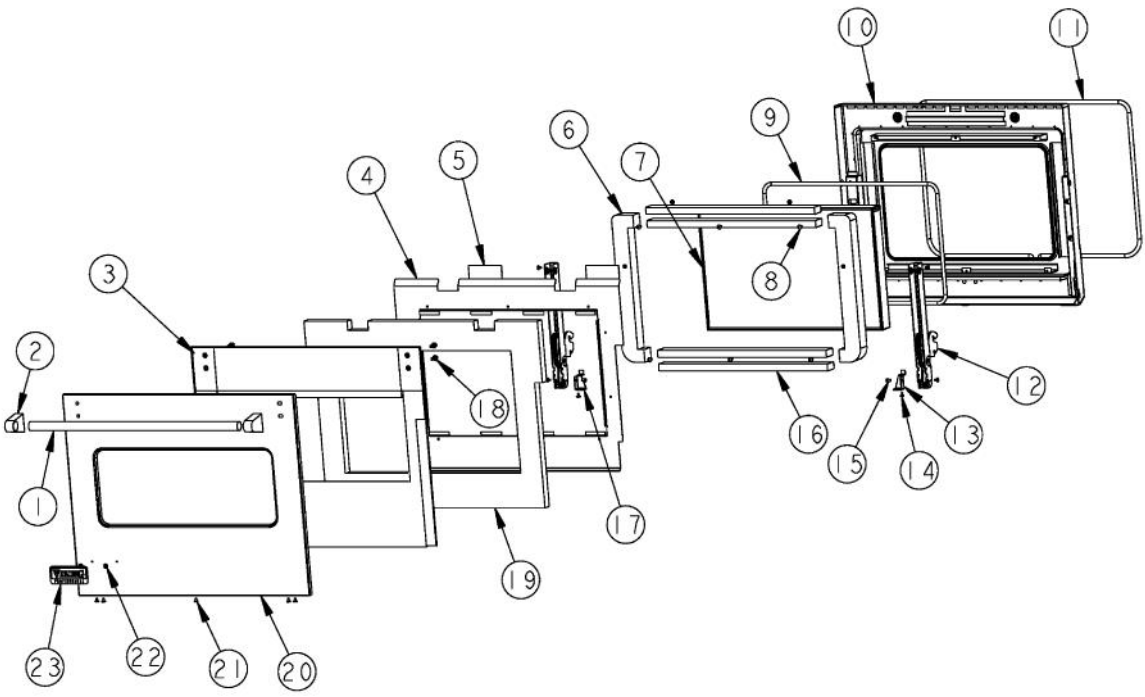


Ref #	Part Number	Qty.	Description
1	A20014052	1	WIRE SHIELD
2	A10010907	1	COVER, BLOWER
3	PD020060	43	10 X 1/2 (5/16)HEX WSHR HD.(T)A
4	A2009671	1	BRACKET, POWER CABLE
5	PB040070	1	CONDUIT FITTING (90 DEG)
6	PB020071	1	CONDUIT - FLEXIBLE (48)
7	A21010918	1	BRACKET, AIR, CONVECTION MOTOR
8	A20012807	1	PANEL, REAR
9	A20012809	1	REAR AIR DIVIDER, DBL, LOWER OVEN
10	NOT REPLACEABLE	N/A	OVEN CAVITY (NOT REPLACEABLE PART)
11	PB070301	2	27 BACK INSULATION
12	NOT REPLACEABLE	N/A	OVEN CAVITY (NOT REPLACEABLE PART)
13	A2009697	2	BRACKET, CONVECTION INSULATION
14	A21010919	2	BRACKET, AIR, CONVECTION MOTOR
15	A2009684	1	REAR AIR DIVIDER, DOUBLE OVEN



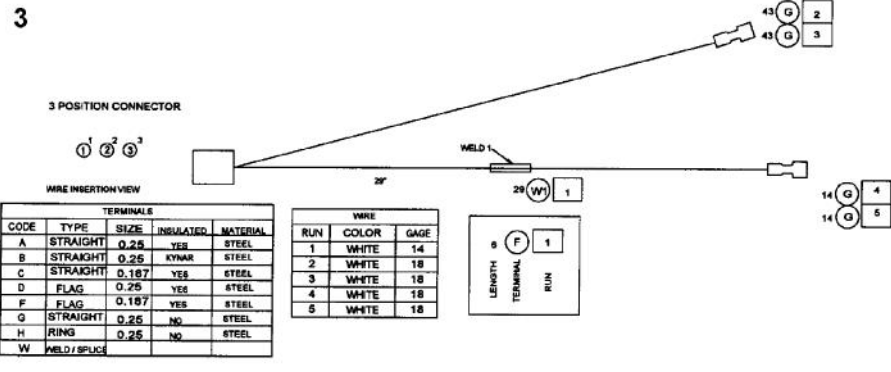
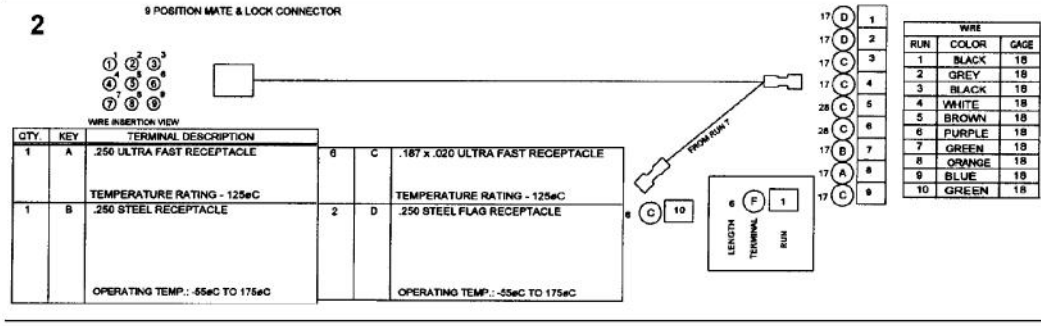
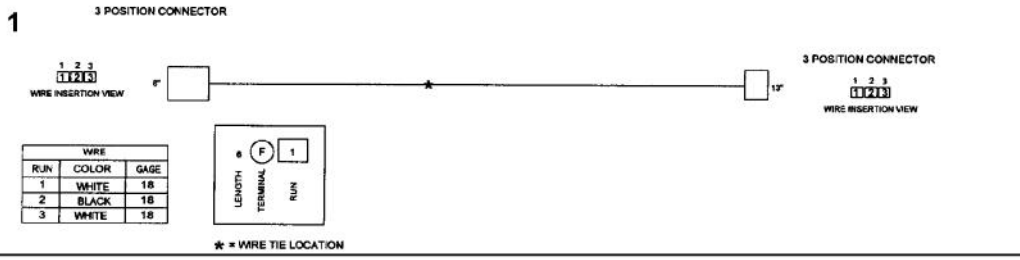
Ref #	Part Number	Qty.	Description
1	PE030178	1	27 PROF. DOOR HANDLE
1	PE030178PVD	1	27 PROF. DOOR HANDLE XPVDX
2	PE030001	2	BRACKET, DOOR, HANDLE
2	PE030001PVD	2	END CAP DOOR HANDLE XBR
3	001501-000	1	PRO 27` INSULATION RETAINER KIT (AFTER 7-17-06)
4	A20010949	1	PANEL, INSULATION, INNNER DOOR
5	PB070336	1	DOOR BRACKET INSULATION
6	PB070271	2	DOOR PLUG INSULATION
7	PE060093	1	27 WINDOW PACK
8	PD020002	2	10 X 1/2 PH.TR.HD.SMS.
9	000594-000	1	BLACK FIBERGLASS ROPE 3/8
10	G91010942	1	DOOR LINER ASSEMBLY
11	PB070245	1	27 DOOR GASKET
12	PC020248	2	DOOR HINGE
13	A20012640	1	HINGE SUPPORT RH
14	PD020063	2	SCREW-NO.8(A) X 3/8PH WFR HD/BK OXID
15	PD020004	6	10X3/8PH.HD.TYPE 25 REPL PD040125
16	PB070273	4	27 WINDOW PACK INSULATION
17	A20012641	1	HINGE SUPPORT LH
18	PD020186	4	1/4-20 X 3/4 HEX WASHER HEAD MS
19	PB020276	1	TUBE DRAIN 3/8 X 46 AR 36 30
20	PS500016AL	1	27 PRO DOOR SKIN SVC KIT W/O LOGO AFTER 07/17/06 - AL
20	PS500016ALBR	1	27 PRO DOOR SKIN SVC KIT W/O LOGO AFTER 07/17/06 - AL...
20	PS500016BK	1	27 PRO DOOR SKIN SVC KIT W/O LOGO AFTER 07/17/06 - BK
20	PS500016BKBR	1	27 PRO DOOR SKIN SVC KIT W/O LOGO AFTER 07/17/06 - B...
20	PS500016BT	1	27 PRO DOOR SKIN SVC KIT W/O LOGO AFTER 07/17/06 -BT
20	PS500016BTBR	1	27 PRO DOOR SKIN SVC KIT W/O LOGO AFTER 07/17/06 - B...
20	PS500016BU	1	27 PRO DOOR SKIN SVC KIT W/O LOGO AFTER 07/17/06 -BU
20	PS500016BUBR	1	27 PRO DOOR SKIN SVC KIT W/O LOGO AFTER 07/17/06 - B...
20	PS500016CB	1	27 PRO DOOR SKIN SVC KIT W/O LOGO AFTER 07/17/06 - CB
20	PS500016CBBR	1	27 PRO DOOR SKIN SVC KIT W/O LOGO AFTER 07/17/06 - C...
20	PS500016CH	1	27 PRO DOOR SKIN SVC KIT W/O LOGO AFTER 07/17/06-CH
20	PS500016EP	1	27 PRO DOOR SKIN SVC KIT W/O LOGO AFTER 07/17/06 -EP
20	PS500016EPBR	1	27 PRO DOOR SKIN SVC KIT W/O LOGO AFTER 07/17/06 - E...
20	PS500016FG	1	27 PRO DOOR SKIN SERVICE KIT W/O LOGO AFTER 07/17/0...
20	PS500016FGBR	1	27 PRO DOOR SKIN SERVICE KIT W/O LOGO AFTER 07/17/0...
20	PS500016GG	1	27 PRO DOOR SKIN SERVICE KIT W/O LOGO AFTER 07/17/0...
20	PS500016GGBR	1	27 PRO DOOR SKIN SERVICE KIT W/O LOGO AFTER 07/17/0...
20	PS500016LE	1	27 PRO DOOR SKIN SERVICE KIT W/O LOGO AFTER 07/17/0...
20	PS500016LEBR	1	27 PRO DOOR SKIN SERVICE KIT W/O LOGO AFTER 07/17/0...
20	PS500016MJ	1	27 PRO DOOR SKIN SERVICE KIT W/O LOGO AFTER 07/17/0...
20	PS500016MJBR	1	27 PRO DOOR SKIN SERVICE KIT W/O LOGO AFTER 07/17/0...
20	PS500016SG	1	27 PRO DOOR SKIN SERVICE KIT W/O LOGO AFTER 07/17/0...
20	PS500016SGBR	1	27 PRO DOOR SKIN SERVICE KIT W/O LOGO AFTER 07/17/0...
20	PS500016SS	1	27 PRO DOOR SKIN SERVICE KIT W/O LOGO AFTER 07/17/0...
20	PS500016SSBR	1	27 PRO DOOR SKIN SERVICE KIT W/O LOGO AFTER 07/17/0...
20	PS500016VB	1	27 PRO DOOR SKIN SERVICE KIT W/O LOGO AFTER 07/17/0...
20	PS500016VBBR	1	27 PRO DOOR SKIN SERVICE KIT W/O LOGO AFTER 07/17/0...
20	PS500016WH	1	27 PRO DOOR SKIN SERVICE KIT W/O LOGO AFTER 07/17/0...
20	PS500016WHBR	1	27 PRO DOOR SKIN SERVICE KIT W/O LOGO AFTER 07/17/0...
21	PD020032	5	SRW-8(A)X3/8PH.WFR HD 7/16DIAXNICL
NI	G32012720AL	1	27 DOOR ASSY W/O LOGO XALX
NI	G32012720ALBR	1	27 DOOR ASSY W/O LOGO XALBRX
NI	G32012720BK	1	27 DOOR ASSY W/O LOGO XBKX
NI	G32012720BKBR	1	27 DOOR ASSY W/O LOGO XBKBRX
NI	G32012720BT	1	27 DOOR ASSY W/O LOGO XBTX
NI	G32012720BTBR	1	27 DOOR ASSY W/O LOGO XBTBRX
NI	G32012720BU	1	27 DOOR ASSY W/O LOGO XBUX
NI	G32012720BUBR	1	27 DOOR ASSY W/O LOGO XBUBRX
NI	G32012720CB	1	27 DOOR ASSY W/O LOGO XCBX

Ref #	Part Number	Qty.	Description
NI	G32012720CB	1	27 DOOR ASSY W/O LOGO XCBX
NI	G32012720CBBR	1	27 DOOR ASSY W/O LOGO XCBBRX
NI	G32012720EP	1	27 DOOR ASSY W/O LOGO XEPX
NI	G32012720EPBR	1	27 DOOR ASSY W/O LOGO XEPBRX
NI	G32012720FG	1	27 DOOR ASSY W/O LOGO XFGX
NI	G32012720FGBR	1	27 DOOR ASSY W/O LOGO XFGBRX
NI	G32012720GG	1	27 DOOR ASSY W/O LOGO XGGX
NI	G32012720GGBR	1	27 DOOR ASSY W/O LOGO XGGBRX
NI	G32012720LE	1	27 DOOR ASSY W/O LOGO XLEX
NI	G32012720LEBR	1	27 DOOR ASSY W/O LOGO XLEBRX
NI	G32012720MJ	1	27 DOOR ASSY W/O LOGO XMJX
NI	G32012720MJBR	1	27 DOOR ASSY W/O LOGO XMJBRX
NI	G32012720SG	1	27 DOOR ASSY W/O LOGO XSGX
NI	G32012720SGBR	1	27 DOOR ASSY W/O LOGO XSGBRX
NI	G32012720SS	1	27 DOOR ASSY W/O LOGO
NI	G32012720SSBR	1	27 DOOR ASSY W/O LOGO XSSBRX
NI	G32012720VB	1	27 DOOR ASSY W/O LOGO XVBX
NI	G32012720VBBR	1	27 DOOR ASSY W/O LOGO XVBRX
NI	G32012720WH	1	27 DOOR ASSY W/O LOGO XWHX
NI	G32012720WHBR	1	27 DOOR ASSY W/O LOGO XWHBRX

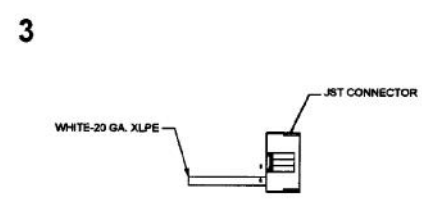
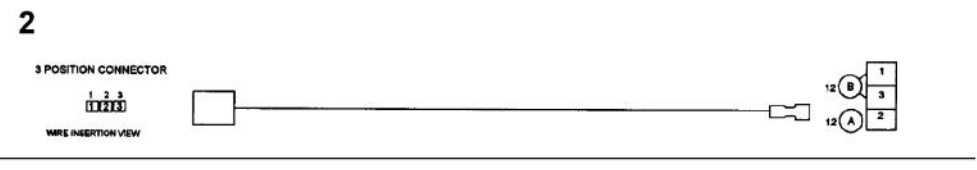
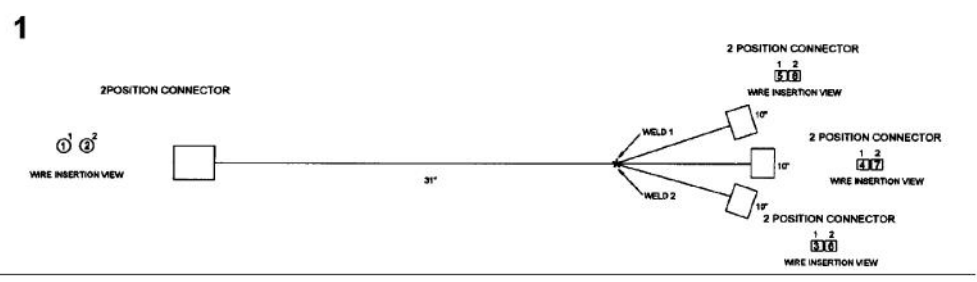


Ref #	Part Number	Qty.	Description
1	PE030178	1	27 PROF. DOOR HANDLE
	PE030178PVD	1	27 PROF. DOOR HANDLE XPVDX
2	PE030001	2	BRACKET, DOOR, HANDLE
	PE030001PVD	2	END CAP DOOR HANDLE XBR
3	001501-000	1	PRO 27" INSULATION RETAINER KIT (AFTER 7-17-06)
4	A20010949	1	PANEL, INSULATION, INNNER DOOR
5	PB070336	1	DOOR BRACKET INSULATION
6	PB070271	6	DOOR PLUG INSULATION
7	PE060093	1	27 WINDOW PACK
8	PD020002	8	10 X 1/2 PH.TR.HD.SMS.
9	000594-000	1	BLACK FIBERGLASS ROPE 3/8
10	G91010942	1	DOOR LINER ASSEMBLY
11	PB070245	1	27 DOOR GASKET
12	PC020248	2	DOOR HINGE
13	A20012640	1	HINGE SUPPORT RH
14	PD020063	2	SCREW-NO.8(A) X 3/8PH WFR HD/BK OXID
15	PD020004	6	10X3/8PH.HD.TYPE 25 REPL PD040125
16	PB070273	4	27 WINDOW PACK INSULATION
17	A20012641	1	HINGE SUPPORT LH
18	PD020186	4	1/4-20 X 3/4 HEX WASHER HEAD MS
19	PB070276	1	27 DOOR INSULATION
20	PS500014AL	1	27 PRO DOOR SKIN SERVICE KIT W/LOGO AFTER 07/17/06 -...
20	PS500014ALBR	1	27 PRO DOOR SKIN SERVICE KIT W/LOGO AFTER 07/17/06 -...
20	PS500014BK	1	27 PRO DOOR SKIN SERVICE KIT W/LOGO AFTER 07/17/06 -...
20	PS500014BKBR	1	27 PRO DOOR SKIN SERVICE KIT W/LOGO AFTER 07/17/06 -...
20	PS500014BT	1	27 PRO DOOR SKIN SERVICE KIT W/LOGO AFTER 07/17/06 -...
20	PS500014BTBR	1	27 PRO DOOR SKIN SERVICE KIT W/LOGO AFTER 07/17/06 -...
20	PS500014BU	1	27 PRO DOOR SKIN SERVICE KIT W/LOGO AFTER 07/17/06 -...
20	PS500014BUBR	1	27 PRO DOOR SKIN SERVICE KIT W/LOGO AFTER 07/17/06 -...
20	PS500014CB	1	27 PRO DOOR SKIN SERVICE KIT W/LOGO AFTER 07/17/06 -...
20	PS500014CBBR	1	27 PRO DOOR SKIN SERVICE KIT W/LOGO AFTER 07/17/06 -...
20	PS500014CH	1	27 PRO DOOR SKIN SVC KIT W/LOGO AFTER 07/17/06-CH
20	PS500014EP	1	27 PRO DOOR SKIN SERVICE KIT W/LOGO AFTER 07/17/06 -...
20	PS500014EPBR	1	27 PRO DOOR SKIN SERVICE KIT W/LOGO AFTER 07/17/06 -...
20	PS500014FG	1	27 PRO DOOR SKIN SERVICE KIT W/LOGO AFTER 07/17/06 -...
20	PS500014FGBR	1	27 PRO DOOR SKIN SERVICE KIT W/LOGO AFTER 07/17/06 -...
20	PS500014GG	1	27 PRO DOOR SKIN SERVICE KIT W/LOGO AFTER 07/17/06 -...
20	PS500014GGBR	1	27 PRO DOOR SKIN SERVICE KIT W/LOGO AFTER 07/17/06 -...
20	PS500014LE	1	27 PRO DOOR SKIN SERVICE KIT W/LOGO AFTER 07/17/06 -...
20	PS500014LEBR	1	27 PRO DOOR SKIN SERVICE KIT W/LOGO AFTER 07/17/06 -...
20	PS500014MJ	1	27 PRO DOOR SKIN SERVICE KIT W/LOGO AFTER 07/17/06 -...
20	PS500014MJBR	1	27 PRO DOOR SKIN SERVICE KIT W/LOGO AFTER 07/17/06 -...
20	PS500014SG	1	27 PRO DOOR SKIN SERVICE KIT W/LOGO AFTER 07/17/06 -...
20	PS500014SGBR	1	27 PRO DOOR SKIN SERVICE KIT W/LOGO AFTER 07/17/06 -...
20	PS500014SS	1	27 PRO DOOR SKIN SERVICE KIT W/LOGO AFTER 07/17/06 -...
20	PS500014SSBR	1	27 PRO DOOR SKIN SERVICE KIT W/LOGO AFTER 07/17/06 -...
20	PS500014VB	1	27 PRO DOOR SKIN SERVICE KIT W/LOGO AFTER 07/17/06 -...
20	PS500014VBBR	1	27 PRO DOOR SKIN SERVICE KIT W/LOGO AFTER 07/17/06 -...
20	PS500014WH	1	27 PRO DOOR SKIN SERVICE KIT W/LOGO AFTER 07/17/06 -...
20	PS500014WHBR	1	27 PRO DOOR SKIN SERVICE KIT W/LOGO AFTER 07/17/06 -...
21	PD020032	5	SRW-8(A)X3/8PH.WFR HD 7/16DIAXNCL
22	PD030006	2	CAPPED WASHER PAL NUT
23	PE010016	1	NAMEPLATE, LOGO, PRO
23	PE010017	1	LOGO (VGSO,VEDO,VGDO,VUD) XWH/CHR
23	PE010079	1	4.5 LOGO/VIKING PROF, BK/BR
23	PE010080	1	4.5 LOGO/VIKING PROF XWH/BR
NI	G32012719AL	1	27 DOOR ASSY W/LOGO XALX
NI	G32012719ALBR	1	27 DOOR ASSY W/LOGO XALBRX
NI	G32012719BK	1	27 DOOR ASSY W/LOGO XBKX
NI	G32012719BKBR	1	27 DOOR ASSY W/LOGO XBKBRX

Ref #	Part Number	Qty.	Description
NI	G32012719BKBR	1	27 DOOR ASSY W/LOGO XBKBRX
NI	G32012719BT	1	27 DOOR ASSY W/LOGO XBTX
NI	G32012719BTBR	1	27 DOOR ASSY W/LOGO XBTBRX
NI	G32012719BU	1	27 DOOR ASSY W/LOGO XBUX
NI	G32012719BUBR	1	27 DOOR ASSY W/LOGO XBUBRX
NI	G32012719CB	1	27 DOOR ASSY W/LOGO XCBX
NI	G32012719CBBR	1	27 DOOR ASSY W/LOGO XCBBRX
NI	G32012719EP	1	27 DOOR ASSY W/LOGO XEPX
NI	G32012719EPBR	1	27 DOOR ASSY W/LOGO XEPBRX
NI	G32012719FG	1	27 DOOR ASSY W/LOGO XFGX
NI	G32012719FGBR	1	27 DOOR ASSY W/LOGO XFGBRX
NI	G32012719GG	1	27 DOOR ASSY W/LOGO XGGX
NI	G32012719GGBR	1	27 DOOR ASSY W/LOGO XGGBRX
NI	G32012719LE	1	27 DOOR ASSY W/LOGO XLEX
NI	G32012719LEBR	1	27 DOOR ASSY W/LOGO XLEBRX
NI	G32012719MJ	1	27 DOOR ASSY W/LOGO XMJX
NI	G32012719MJBR	1	27 DOOR ASSY W/LOGO XMJBRX
NI	G32012719SG	1	27 DOOR ASSY W/LOGO XSGX
NI	G32012719SGBR	1	27 DOOR ASSY W/LOGO XSGBRX
NI	G32012719SS	1	27 DOOR ASSY W/LOGO
NI	G32012719SSBR	1	27 DOOR ASSY W/LOGO XSSBRX
NI	G32012719VB	1	27 DOOR ASSY W/LOGO XVBX
NI	G32012719VBBR	1	27 DOOR ASSY W/LOGO XVBBRX
NI	G32012719WH	1	27 DOOR ASSY W/LOGO XWHX
NI	G32012719WHBR	1	27 DOOR ASSY W/LOGO XWHBRX

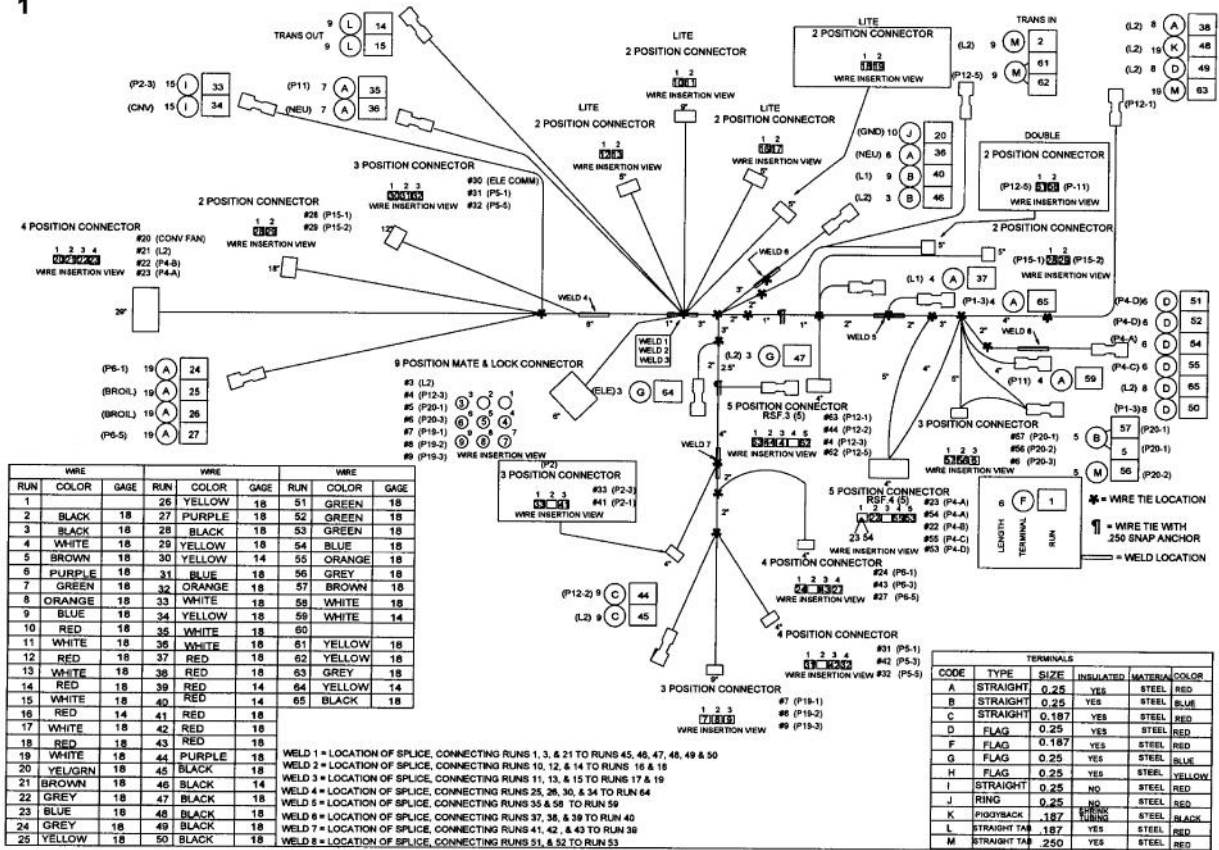


Ref #	Part Number	Qty.	Description
1	PE070738	1	T/STAT-SEL HARNESS
NI	PE070733	1	UPPER LATCH HARNESS
NI	PE070739	1	BAKE ELEMENT HARNESS
NI	G4005496	1	SUPPLY WIRE - 100 BK 10GA SO/DO
NI	G4005497	1	SUPPLY WIRE - 100 GREEN 10GA SO/DO
NI	G4005499	1	SUPPLY WIRE - 100 RED 10GA SO/DO
NI	G4005494	1	SUPPLY WIRE - 75 WH 12 GA SO/DO

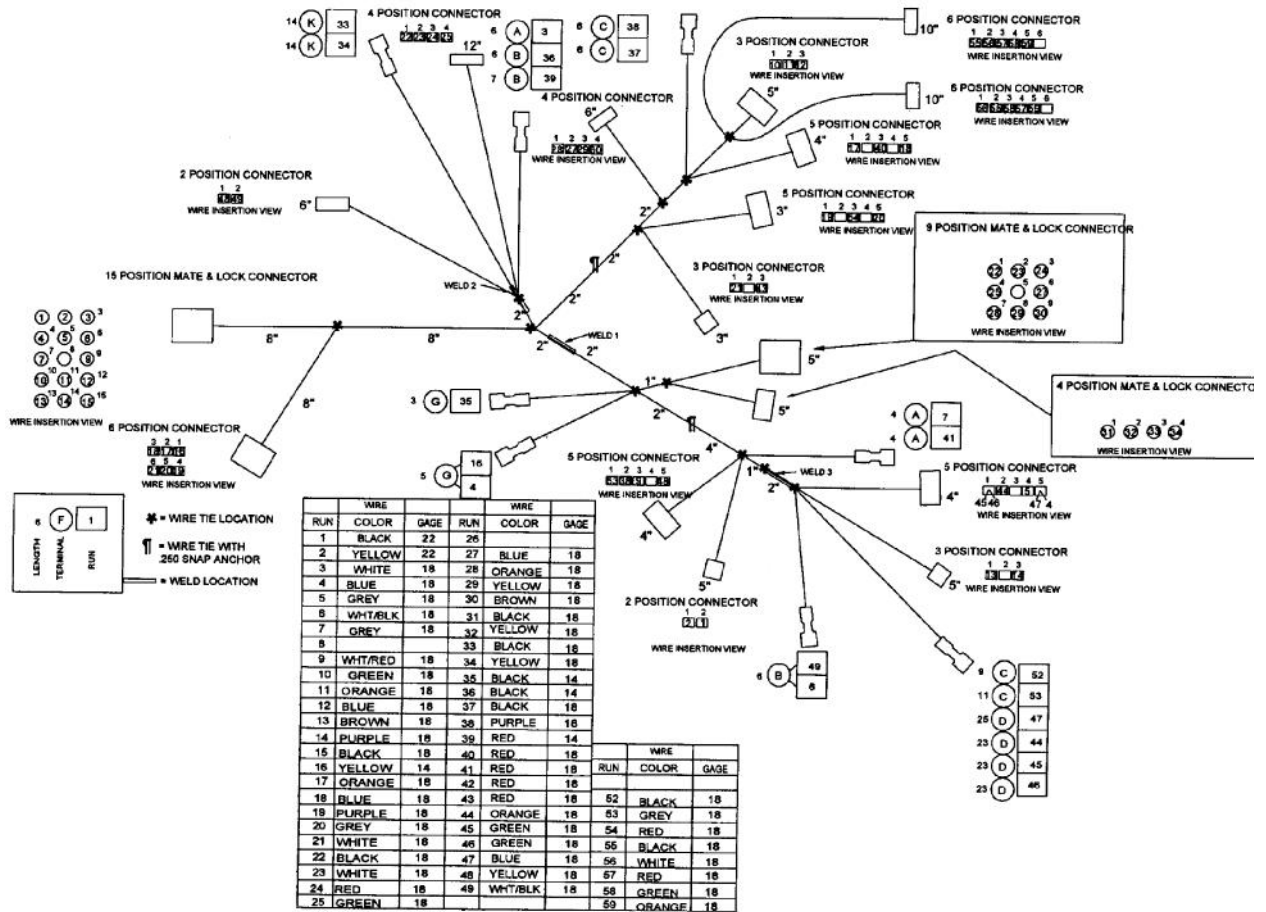


Ref #	Part Number	Qty.	Description
1	PE070741	1	LOWER LIGHT HARNESS
2	PE070744	1	DOUBLE CLOCK HARNESS
3	PE070795	1	10 POSITION 27 L.O.

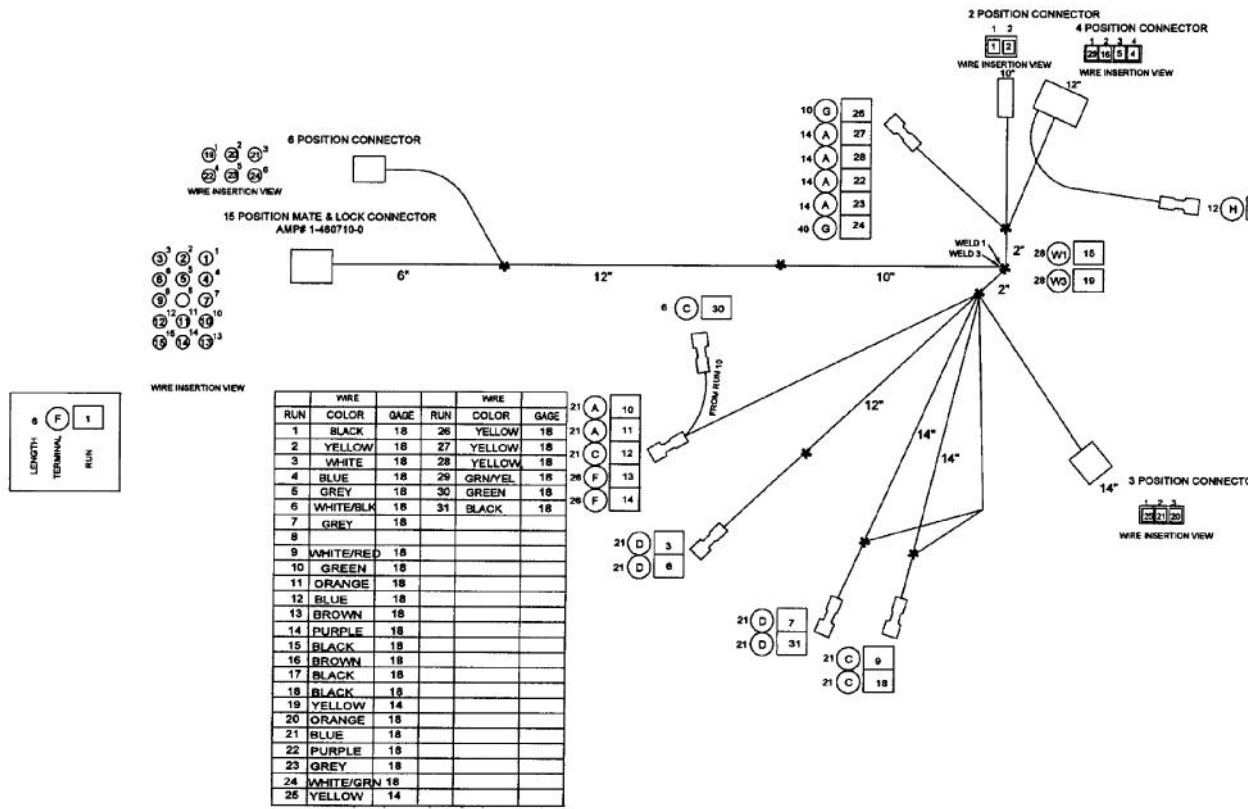
1



Ref #	Part Number	Qty.	Description
1	PE070742	1	UPPER CONTROL HARNESS



Ref #	Part Number	Qty.	Description
NI	PE070736	1	LOWER CONTROL HARNESS



Ref #	Part Number	Qty.	Description
NI	PE070740	1	LOWER LATCH HARNESS