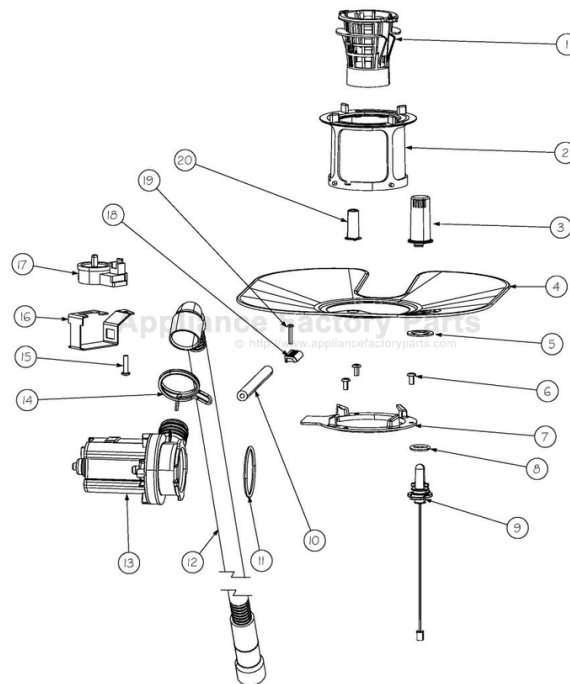


This Owner's Manual is provided and hosted by Appliance Factory Parts.



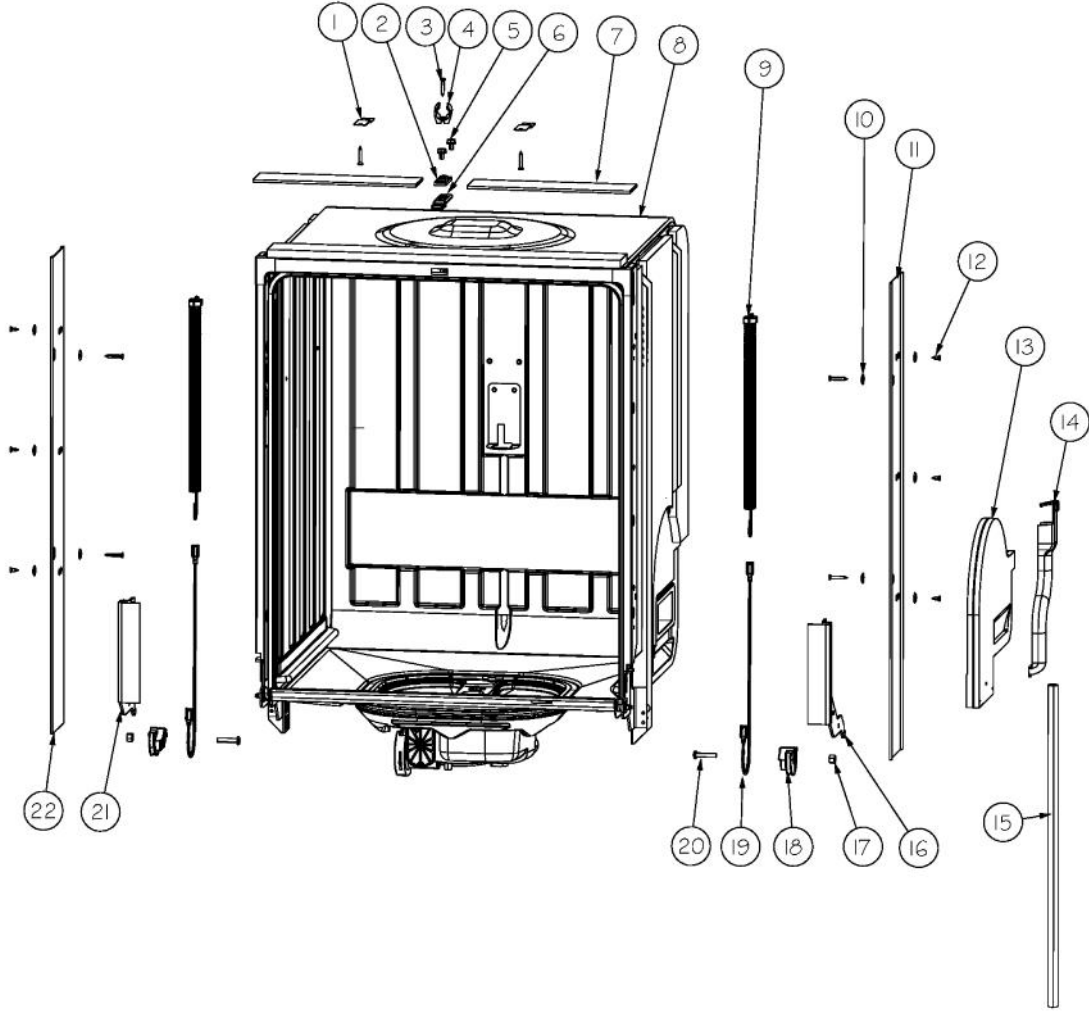
VIKING VDB450_1 Owner's Manual

[Shop genuine replacement parts for VIKING VDB450 1](#)

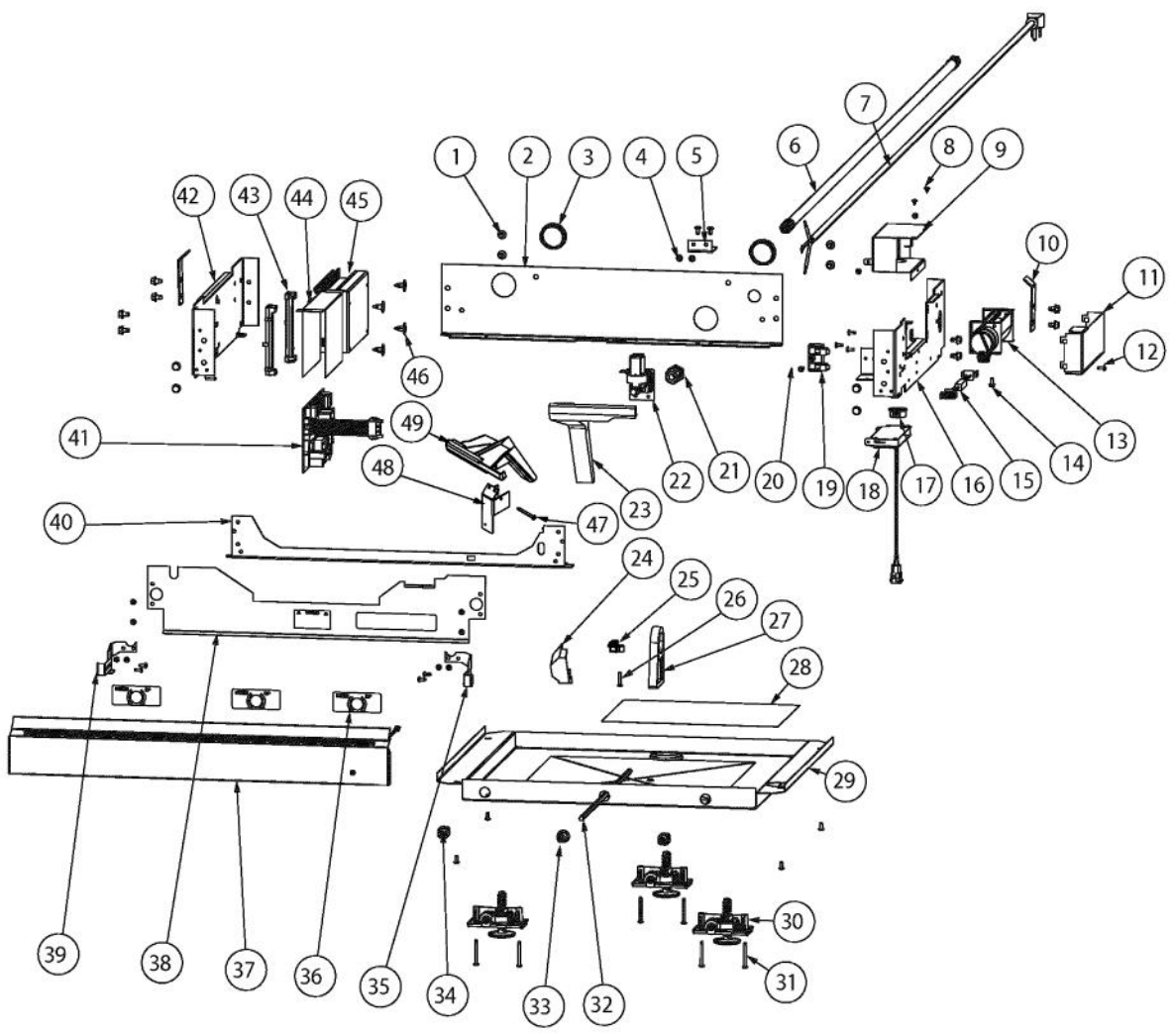


[Find Your VIKING Dishwasher Parts - Select From 36 Models](#)

----- Manual continues below -----

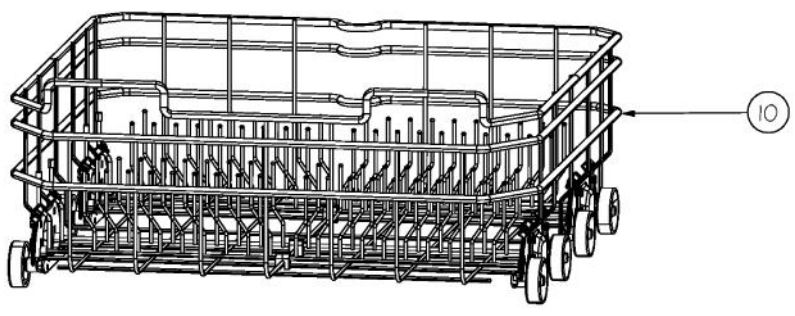
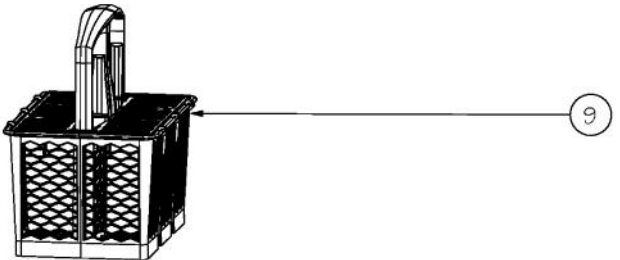
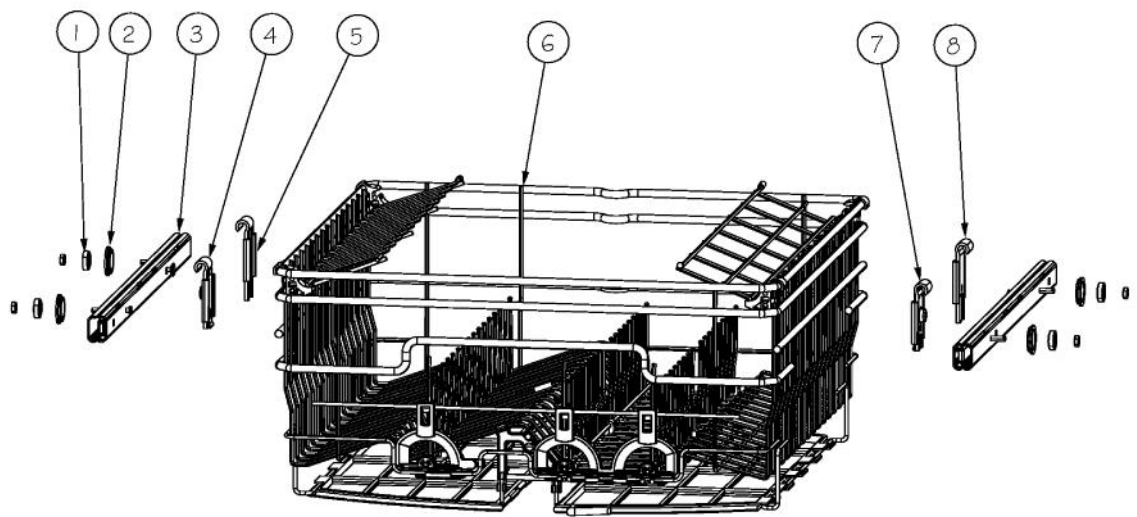


Ref #	Part Number	Qty.	Description
1	000572-000	2	CLIP, MTG
2	000362-000	1	CLAMP, STRIKER
3	001470-000	7	SCREW; NO.8, 18-8SS, FLAT HEAD, TORX, WOOD
4	002547-000	1	BRACKET, FLEX MTG
5	PD010019	2	BLT-1/4-20X3/8HEX WASHER SERATED
6	000361-000	1	DOOR, STRIKER
7	008525-000	2	BITUMEN, HEADER
8	G50813644	1	TUB WELDMENT, BITUMEN, 450
9	002298-000	2	DAMPENER ASSEMBLY, DOOR
10	000079-000	10	BUTTON,RTNR
11	005049-000	1	TRIM, EXTN, RH
12	PD020264	6	SCREW, 8-18 X 3/8, TORX, FLAT HEAD, 304 SS, TYPE AB
13	008561-000	1	INLET, AIR & WATER
14	PK830428	1	COVER, FILL TUBE
15	008548-000	1	HOSE, 20, AIR & WATER INLET TO WATER VALVE BEFORE 5/26/10
15	023731-000	1	HOSE, 13.5 INLET VALVE TO AIR & WATER INLET ON OR AFTER 5/26/10
16	C93813632	1	HINGE, DOOR RIGHT PLATED
17	PD030179	2	1/4-20 HEX NYLON INSERT LOCK NUT
18	PM810488	2	DOOR DAMPENER PULLEY
19	PM810487	2	DOOR DAMPENER CABLE
20	PD020265	2	1/4-20 X 1 1/4 TORX PAN HD MACHINE SCREW
21	C93813631	1	HINGE, DOOR LEFT PLATED
22	005042-000	1	TRIM, EXTN, LH

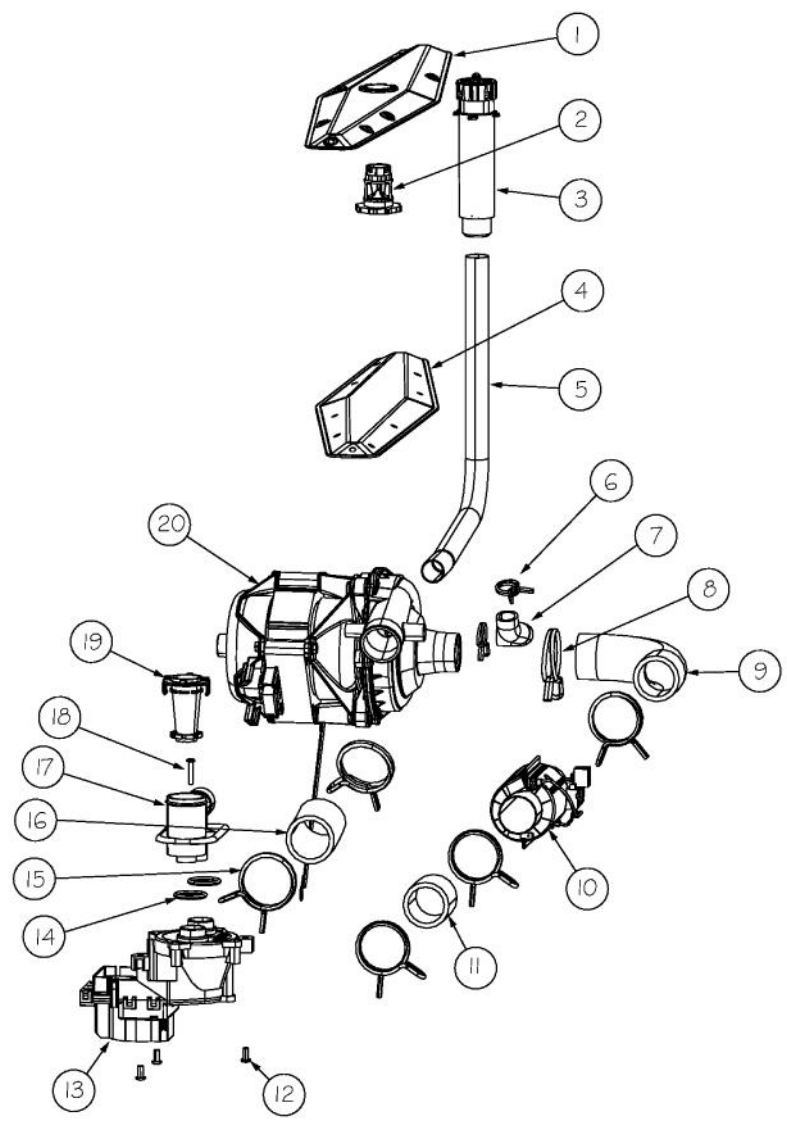


Ref #	Part Number	Qty.	Description
1	PD020255	16	1/4-20 X 3/8 HEX WSHR THD CUT ZINC
2	007035-000	1	BRACKET, BASE REAR
3	PD040163	2	BUSHING, POWER CORD
4	PD020250	4	SCREW; NO.10-32 X 3/8 TORX, PAN, ZINC, TYPE F
5	007605-000	1	BRACKET, WATER VALVE
6	007564-000	1	HOSE, WATER FILL, 5-FOOT
7	005033-000	1	POWER CORD-90 DEGREE
8	009783-000	4	SCREW, NO.8-18 X 1/4 PAN AB ZINC TORX
9	007300-000	1	COVER, BLO, HEATER
10	K2088871	2	CLAMP, TUB REAR
11	K20813645	1	COVER, BLOWER
12	PD020249	20	SCREW, NO.8-18 X 3/8, TYPE B, TORX, PAN HEAD, ZINC, BL...
13	014598-000	1	BLOWER MOTOR
14	PD020010	1	10 X 3/8 GREEN GROUNDING SCREW
15	008119-000	1	HARNESS, BLOWER, RESISTOR
16	K2188875	1	BASE, RIGHT SIDE
17	009899-000	1	BUSHING, ENCLOSURE, HEATER, HEYCO SB-1.00-12
18	PE850179	1	HEATER, AIR & WATER INLET
19	PE070708	1	TERMINAL BLOCK
20	PD020214	1	SCREW, TYPE F, PAN, TORX, ZINC, 8-32 X 0.5
21	PE070209	1	STRAIN RELIEF
22	PA010225	1	SINGLE SOLENOID WATER VALVE BEFORE 5/26/10
22	012180-000	1	VALVE, WATER, SINGLE SOLENOID ON OR AFTER 5/26/10
23	008560-000	1	CHANNEL, OVERFLOW
24	000380-000	1	SUPPORT, MOTOR
25	PE050229	1	FLOOD SENSOR
26	PD020236	1	SCREW, NO.8 - 16 X 3/4, TORX, FLAT HEAD, HI-LO, 304SS
27	000370-000	1	MOUNT, MOTOR
28	PF031282	1	DECAL, WIRING DIAGRAM BEFORE 5/26/10
NI	F20698	1	DECAL, WIRING DIAGRAM ON OR AFTER 5/26/10
29	023489-000	1	PAN, BASE, BOTTOM
30	G5088830	3	LEG LEVELING SYSTEM ASSEMBLY
31	PD020215	6	SCREW, TYPE F, PAN, TORX, ZINC, 8-32 X 1.5, BLUNT
32	PM810495	1	HEX BAR
33	PK830366	1	HEX HEAD ADJUSTER, REAR
34	PK830395	2	HEX HEAD ADJUSTER, FRONT
35	010851-000	2	BRACKET, ADJUSTABLE TOE KICK, RIGHT, ASSY
36	PF031283	3	LABEL, LEVELING ARROWS
37	010984-000	1	PLATE, KICK, ASSY
NI	008981-000	1	LED, CYCLE RUN
38	024793-000	1	FRONT PANEL BRKT ASSY 325/450
39	010850-000	1	BRACKET, ADJUSTABLE TOE KICK, LEFT, ASSY
40	019931-000	1	BRACKET, BASE FRONT
41	016831-000	1	MACHINE CONTROL BEFORE 5/26/10
41	023931-000	1	CONTROLLER, MACHINE, DISHWASHER ON OR AFTER 5/26/10
NI	022973-000	1	KIT - 450 SERIES CONTROL BOARD RETROFIT BEFORE 5/26/10
42	K2188874	1	BASE, LEFT SIDE
43	PK030541	2	MOUNT, MACHINE CONTROLLER
44	PB070338	1	SHIELD, DIELECTRIC
45	PE850191	1	ELECTRONIC MOTOR SPEED CONTROL MODULE
46	PC040020	4	NYLON TREE PUSH-IN RIVETS
47	PD020215	1	SCREW, TYPE F, PAN, TORX, ZINC, 8-32 X 1.5, BLUNT
48	024110-000	1	BRACKET, OVERFLOW, MOUNTING

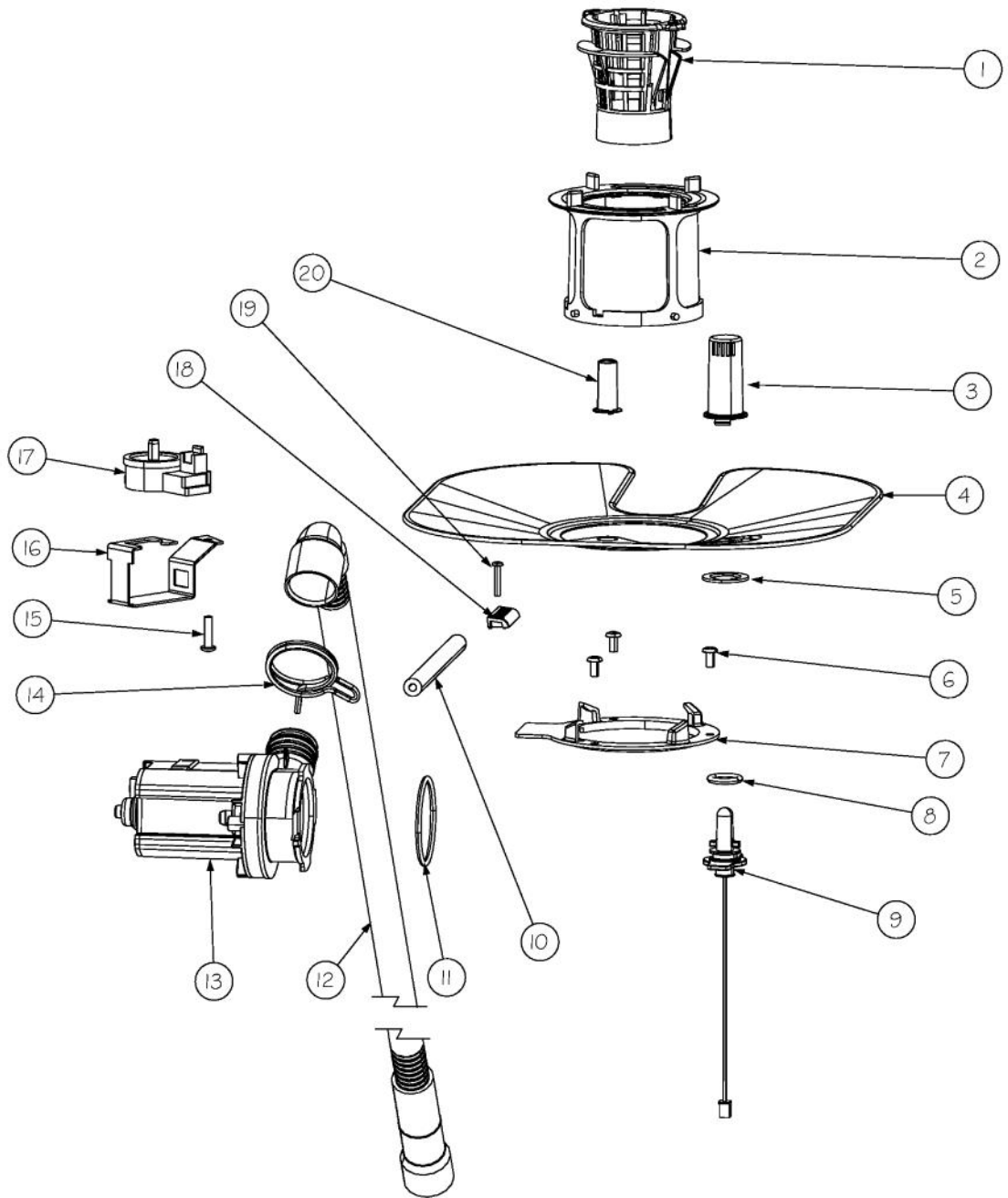
Ref #	Part Number	Qty.	Description
48	024110-000	1	BRACKET, OVERFLOW, MOUNTING
49	008560-000	1	CHANNEL, OVERFLOW
NI	023522-000	1	BRACKET, HARNESS



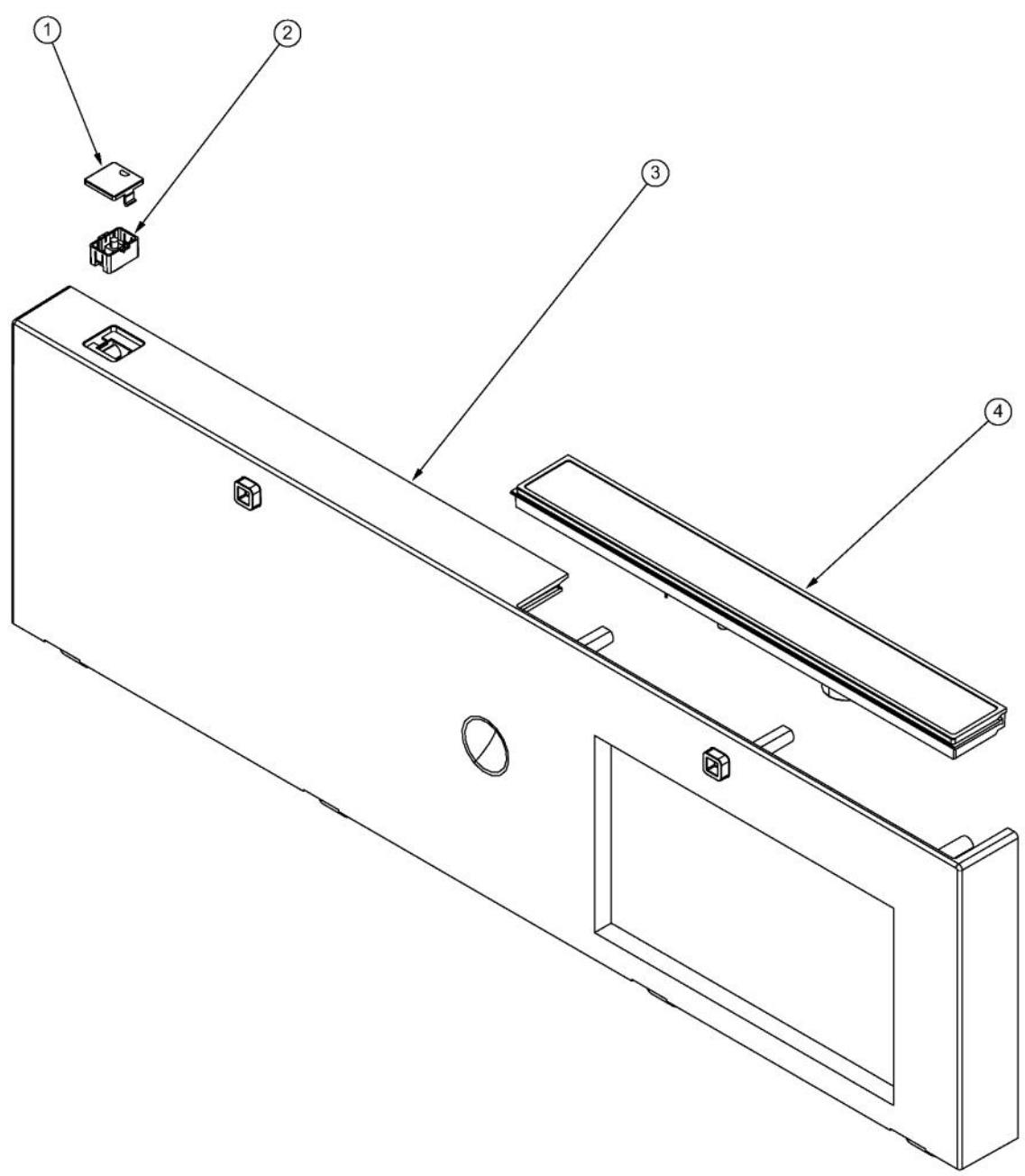
Ref #	Part Number	Qty.	Description
1	PK030448	4	RACK SLIDE SPACER
2	PK030536	4	SLEEVE, SPACER
3	005334-000	2	SLIDE, RACK
4	005044-000	1	CLIP, RACK SLIDE-LEFT FRONT
5	005039-000	1	CLIP, RACK SLIDE-LEFT REAR
6	G5088841	1	ULTRA PREMIUM UPPER RACK ASSEMBLY 450
7	006404-000	1	CLIP, RACK SLIDE-RIGHT FRONT
8	006403-000	1	CLIP, RACK SLIDE-RIGHT REAR
9	G5088897	1	SILVERWARE BASKET ASSEMBLY
10	G5088895	1	ULTRA PREMIUM LOWER RACK ASSEMBLY 450
NI	PC030032	8	WHEEL RACK
NI	003479-000	4	LOWER RACK WHEELS BRACKET RETAINER



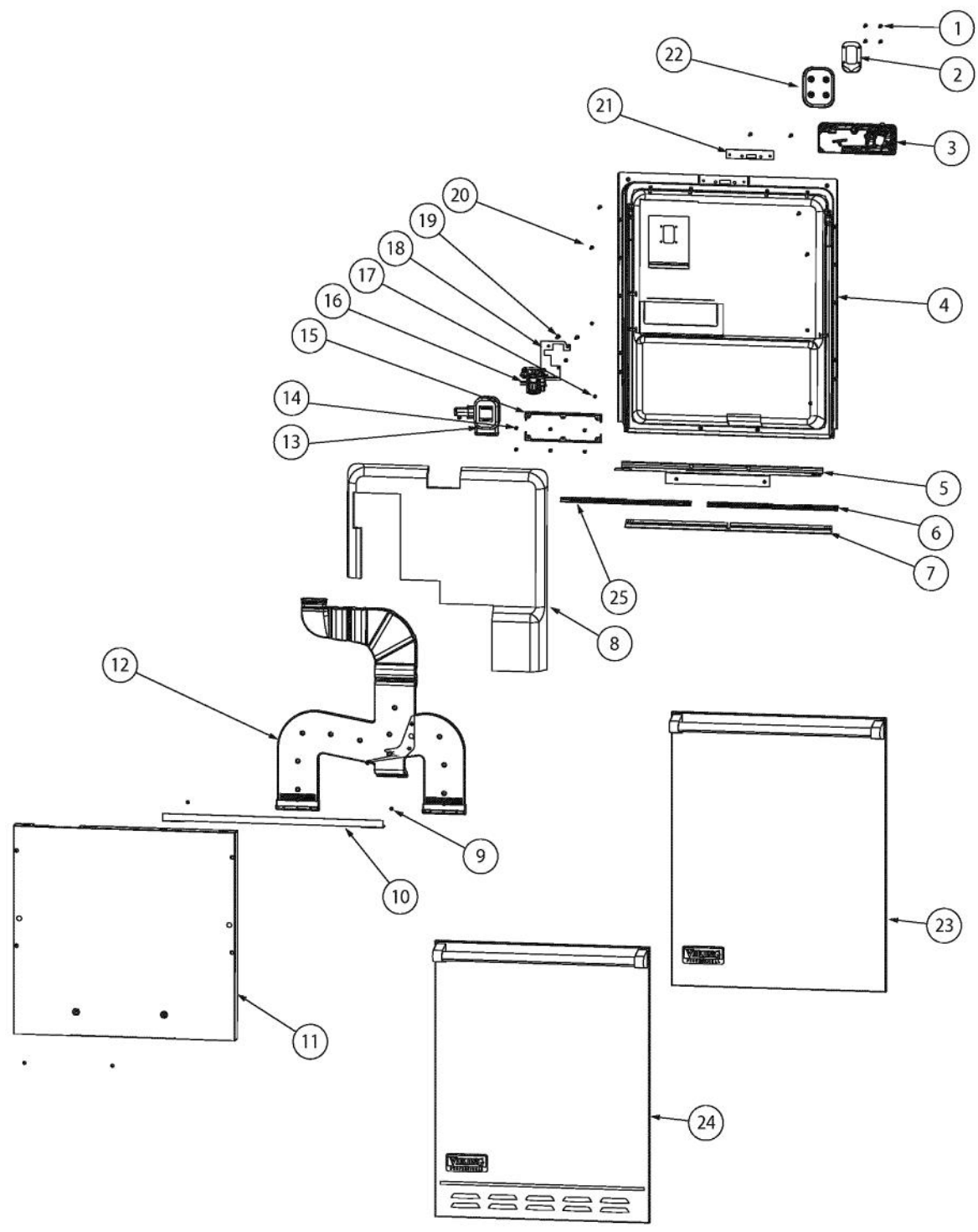
Ref #	Part Number	Qty.	Description
1	G2188879	1	MIDDLE SPRAY ARM, ASSEMBLY
2	PK830375	1	MIDDLE SPRAY ARM LOCK NUT, 1/4 TURN
3	004062-000	1	REAR PORT ASSEMBLY
4	G2188882	1	LOWER SPRAY ARM, ASSEMBLY
5	F2088867	1	CONDUIT, LOWER
6	PD030165	2	CLAMP, WIRE, HOSE
7	PB020264	1	HOSE, PUMP TO PERIMETER SPRAYER
8	PD030163	4	CLAMP, WIRE HOSE
9	PB020262	1	HOSE, HEATER TO PUMP
10	PJ810035	1	HEATER, FLOW THRU
10	033790-000	1	450 SERIES HARNESS AND HEATER KIT (FOR UNITS MANUFACTURED FROM 5/26/2010 THRU 9/15/2...
11	PB020261	1	HOSE, SUMP TO HEATER
12	PD020262	3	SCREW, 8-14X3/8 TORX, PAN HEAD, PLASTITE, 304 SS
13	PA810147	1	DIVERTER VALVE
NI	040626-000	1	DIVERTER VALVE KIT
14	PB870194	2	O-RING, DIVERTER VALVE
15	002283-000	2	CLAMP, DOUBLE WIRE, HOSE
16	PB020263	1	HOSE, PUMP TO DIVERTER VALVE
17	PM810359	1	VENTURI PLATE
18	PD020245	1	SCREW, NO.6-19 X 3/4 TORX, PAN HEAD, PLASTITE, 304SS
19	PK830260	1	LOWER SPRAY ARM VENTURI SPINDLE
20	019589-000	1	PUMP & MOTOR ASSEMBLY



Ref #	Part Number	Qty.	Description
1	PB880032	1	TRAP, GLASS
2	G5088865	1	FINE FILTER ASSEMBLY
3	PK830315	1	STANDPIPE, LEVEL SENSOR
4	007013-000	1	FILTER, PRIMARY, FORMED
5	PB870196	1	SUB TO 020784-000 - O-RING, LEVEL SENSOR
6	009039-000	3	SCREW, NO.10 X 3/8 PHIL PAN HD PLASTITE 18-8 PASSIVAT...
7	PD830110	1	FILTER LOCKING PLATE
8	PB870196	1	SUB TO 020784-000 - O-RING, LEVEL SENSOR
9	020784-000	1	TEMPERATURE SENSOR ASSY W/O-RING
10	015785-000	1	TUBE, PRESSURE SENSOR
11	PB870195	1	O-RING, DRAIN PUMP
12	PB820205	1	HOSE, DRAIN
13	006521-000	1	PUMP, DRAIN ASM
14	PD030164	1	CLAMP, DOUBLE WIRE, HOSE, .126
15	PD020253	1	SCREW; NO.10 16X.75, 304SS, PLASTITE, PAN, TORX
16	006985-000	1	BRACKET, PRESSURE SENSOR
17	019416-000	1	HUBA ASM, DISHWASHER BEFORE 5/26/10
17	PD160016	1	PRESSURE SENSOR (8073839) ON OR AFTER 5/26/10
18	PK830239	1	DRAIN FILTER
19	PD020245	1	SCREW, NO.6-19 X 3/4 TORX, PAN HEAD, PLASTITE, 304SS
20	006627-000	1	CAP, FILTER



Ref #	Part Number	Qty.	Description
1	002702-000	1	BUTTON, START
2	PE050225	1	MAIN POWER SWITCH
3	033450-000	1	ASM, 450 CONSOLE & START SWITCH/BUTTON
4	022973-000	1	KIT - 450 SERIES CONTROL BOARD RETROFIT BEFORE 5/26/10
4	023696-000	1	INTERFACE, USER, 450 ASSY ON OR AFTER 5/26/10
NI	021150-000	1	450 DISHWASHER CONTROL KIT



Ref #	Part Number	Qty.	Description
1	009613-000	4	NO.8-18 X 3/4 PASSIVATED HIGH-LOW SCREW
2	PK030443	1	SPLASH GUARD SPACER
3	PM810482	1	DETERGENT/RINSE AID DISPENSER
4	025030-000	1	DOOR, INNER W BITUMEN 450
5	007675-000	1	BRACE, DOOR
6	025032-000	1	DOOR WIPER, 9 5/8
7	PB870230	1	SEAL, DOOR LOWER
8	PB070340	1	SOUND DAMPENER, INNER DOOR
9	PD020249	4	SCREW, NO.8-18 X 3/8, TYPE B, TORX, PAN HEAD, ZINC, BL...
10	K20813620	1	SPREADER, DOOR
11	C2088802	1	DOOR, OUTER
12	008402-000	1	ASM, INNER DOOR DUCT
13	036009-000	1	ACTIVE VENT ASSY- SERVICE REPLACEMENT - VENT ONLY
NI	033135-000	1	ACTIVE VENT KIT
14	008987-000	7	SCREW, NO.8 X 1/2 PAN TORX ZINC HIGH-LOW
15	PK050002	2	BRACKET, SOAP/RINSE-AID DISPENSER
16	PM010606	1	DOOR LOCK
16	013380-000	1	BEFORE 5/26/10 DOOR LATCH ON OR AFTER 5/26/10
17	PD020264	3	SCREW, 8-18 X 3/8, TORX, FLAT HEAD, 304 SS, TYPE AB
18	000870-000	1	LATCH, BRACKET
19	009613-000	2	NO.8-18 X 3/4 PASSIVATED HIGH-LOW SCREW
20	009613-000	6	NO.8-18 X 3/4 PASSIVATED HIGH-LOW SCREW
21	004109-000	1	PLATE, STRIKER POLISHED
22	B2188858	1	SPLASH COVER
23	007383-000	1	DOOR SKIN ASSEMBLY, PRO, SS
24	PDDPL24	1	PROFESSIONAL DOOR PANEL W/LOUVERS
NI	007914-000	1	DEFLECTOR, FOAM
NI	007915-000	2	DEFLECTOR, FOAM
25	025033-000	1	DOOR WIPER, 6

*No Image
Available*

Ref #	Part Number	Qty.	Description
NI	PE870612	1	HARNESS, WIRE, HIGH VOLTAGE BEFORE 5/26/10
NI	023541-000	1	HIGH VOLTAGE HARNESS ON OR AFTER 5/26/10
NI	023570-000	1	BLOWER HARNESS ON OR AFTER 5/26/10
NI	004003-000	1	WIRE HARNESS, SENSOR BEFORE 5/26/10
NI	023569-000	1	HARNESS, LV BASE ON OR AFTER 5/26/10
NI	008354-000	1	HARNESS, JUMPER, LOW VOLTAGE DOOR BEFORE 5/26/10
NI	023563-000	1	DOOR HARNESS ON OR AFTER 5/26/10
NI	004266-000	1	HARNESS, DOOR LOW VOLTAGE BEFORE 5/26/10
NI	023563-000	1	DOOR HARNESS ON OR AFTER 5/26/10
NI	004267-000	1	HARNESS, DOOR HIGH VOLTAGE BEFORE 5/26/10
NI	023563-000	1	DOOR HARNESS ON OR AFTER 5/26/10
NI	PF031282	1	DECAL, WIRING DIAGRAM BEFORE 5/26/10
NI	F20698	1	DECAL, WIRING DIAGRAM ON OR AFTER 5/26/10
NI	037548-000	1	450 FLOW THRU ENHANCEMENT HARNESS KIT, MODELS P... (FOR UNITS MANUFACTURED PRIOR TO 5/26/10)