

This Owner's Manual is provided and hosted by [Appliance Factory Parts](#).



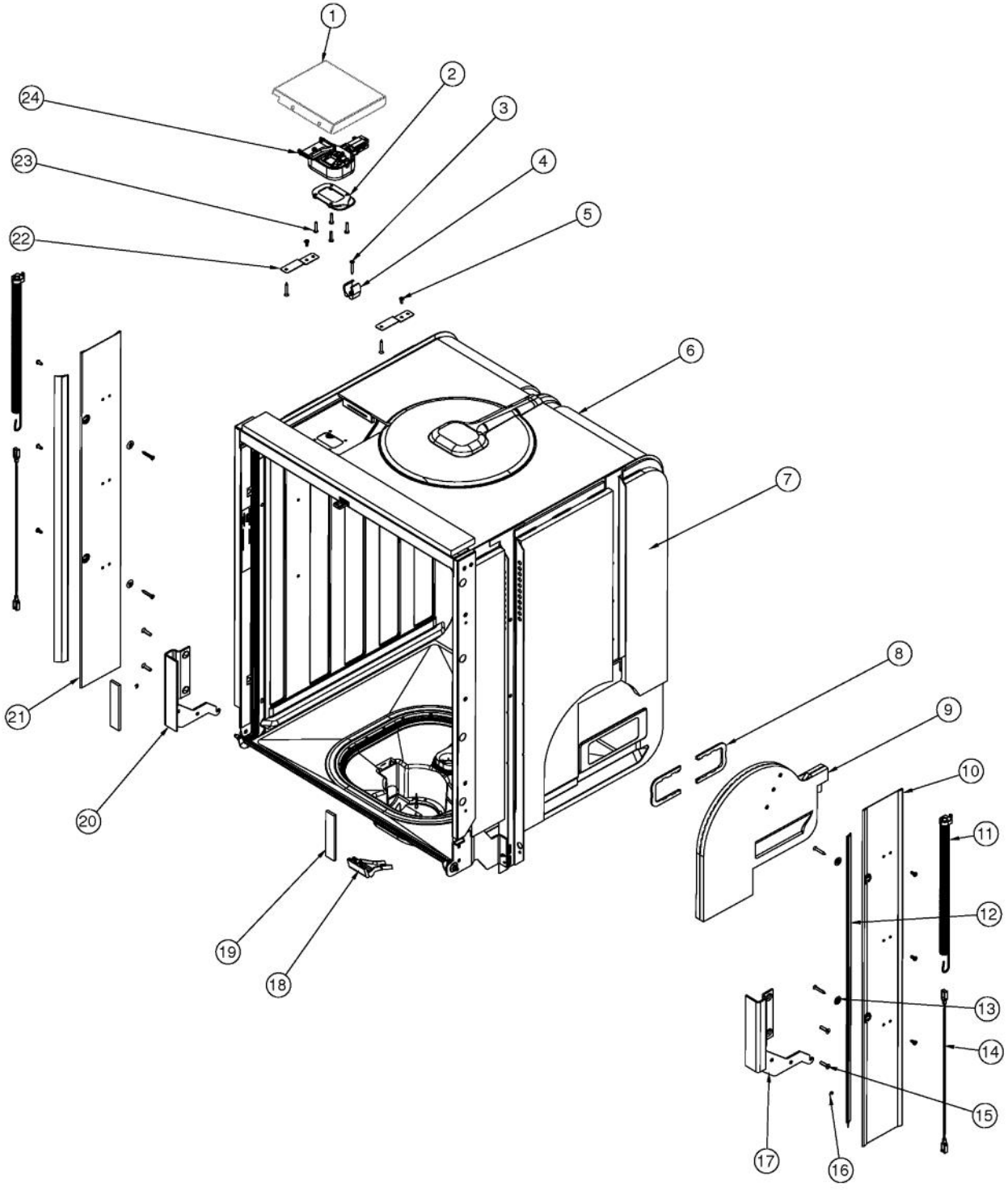
VIKING VDB451 Owner's Manual

[Shop genuine replacement parts for VIKING VDB451](#)

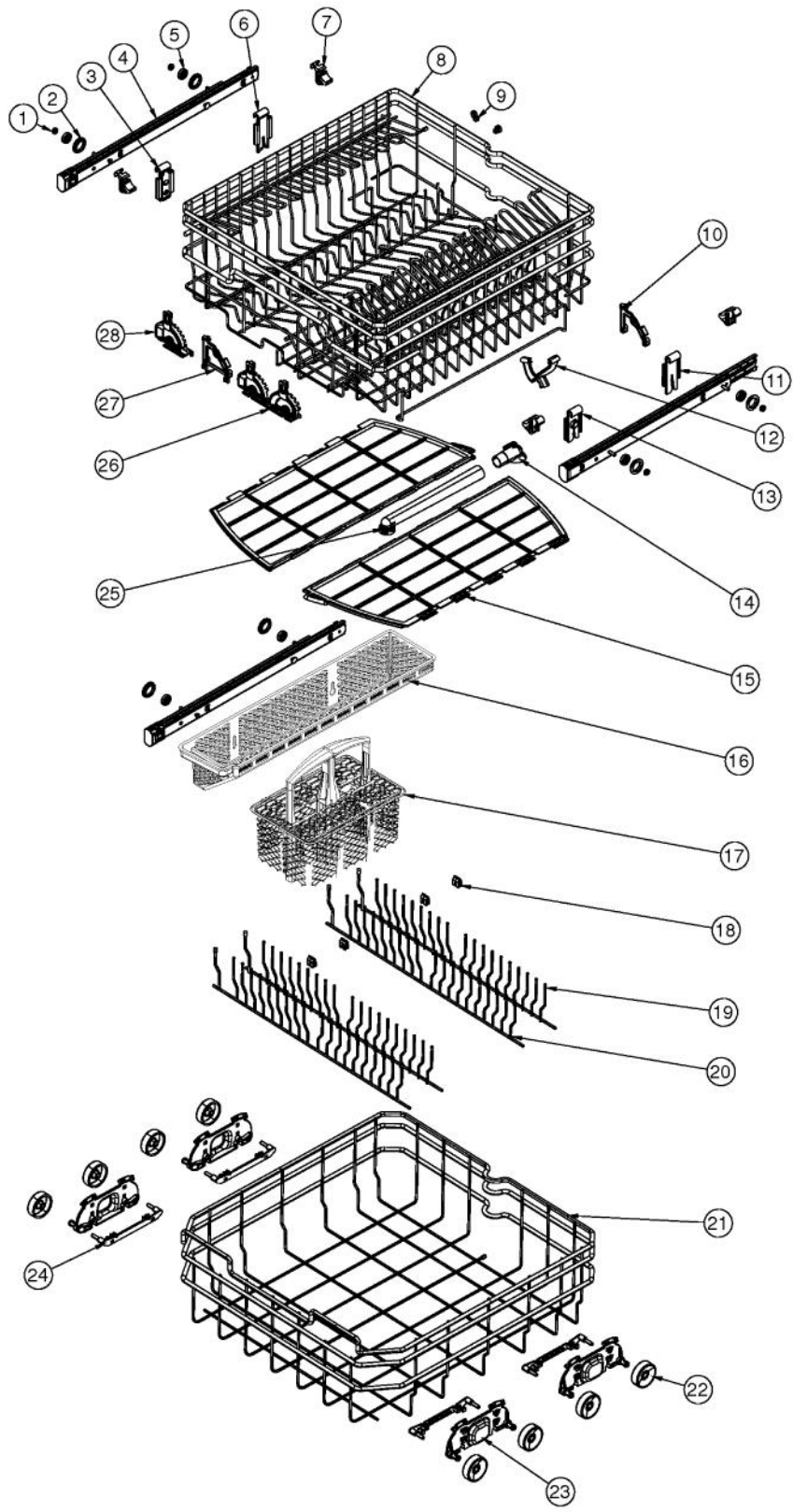


[Find Your VIKING Dishwasher Parts - Select From 36 Models](#)

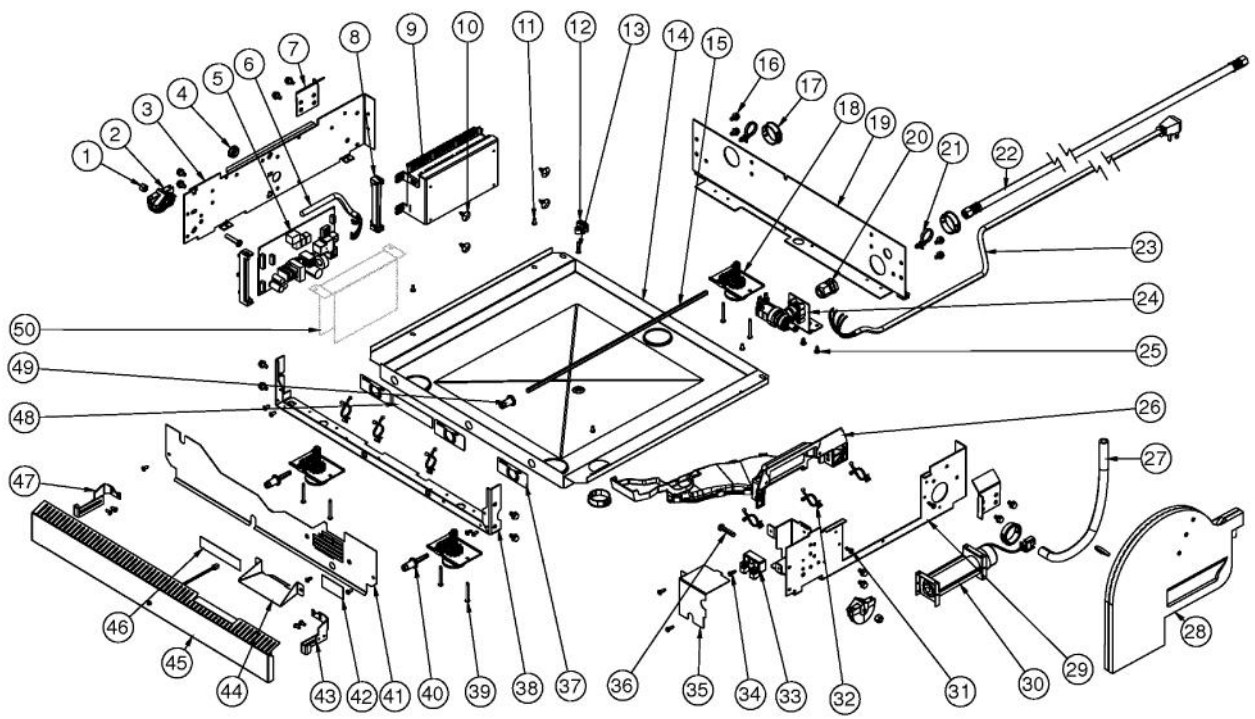
----- Manual continues below -----



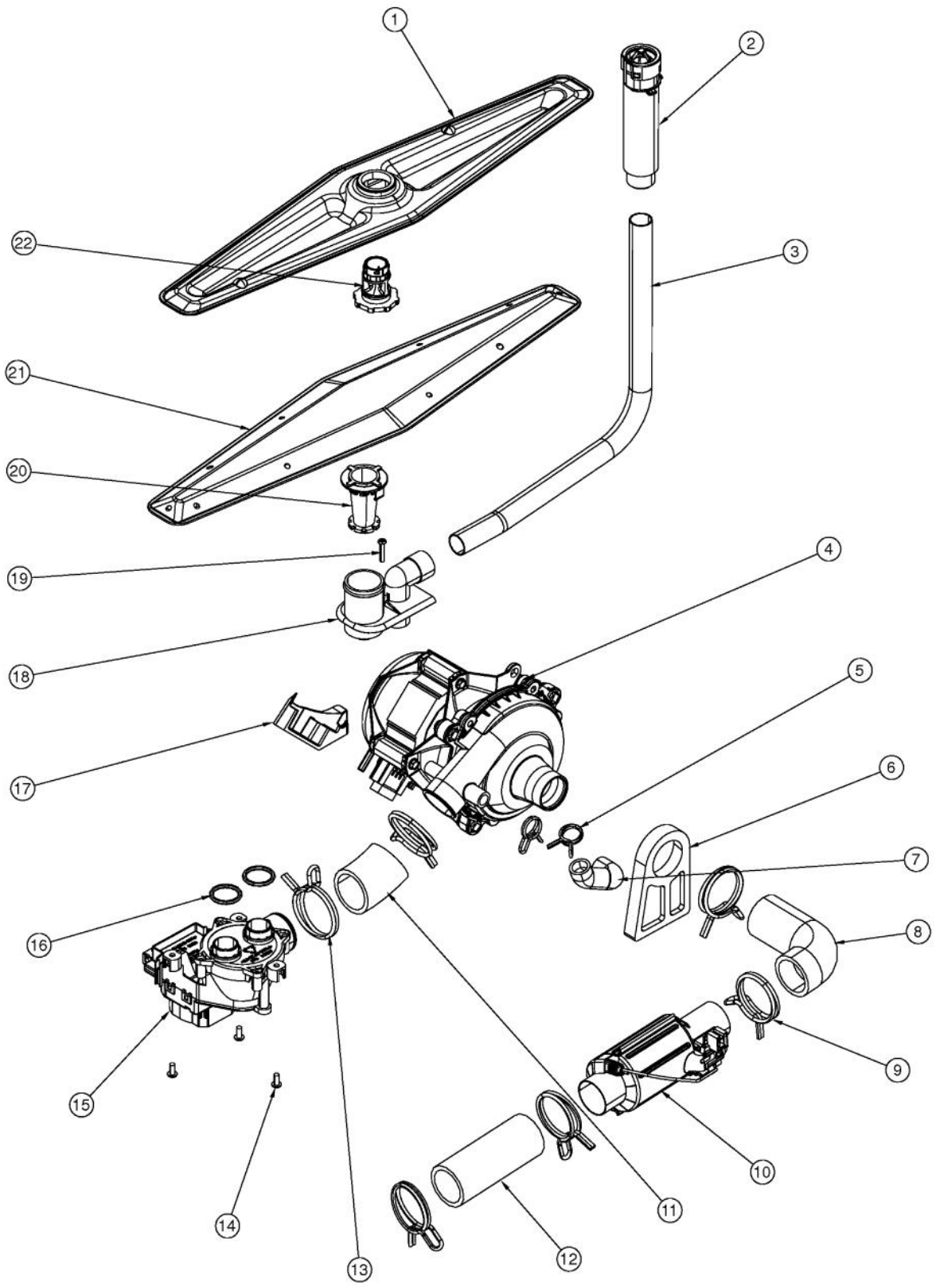
Ref #	Part Number	Qty.	Description
1	030861-000	1	COVER, ACTIVE VENT
2	PK030443	1	SPLASH GUARD SPACER
3	001470-000	7	SCREW; NO.8, 18-8SS, FLAT HEAD, TORX, WOOD
4	002547-000	1	BRACKET, FLEX MTG
5	PD020249	8	SCREW, NO.8-18 X 3/8, TYPE B, TORX, PAN HEAD, ZINC, BL...
6	NON-SERVICEABLE	1	TUB WELDMENT
7	NON-SERVICEABLE	1	TUB WELDMENT
8	034277-000	2	LOCK, AIR & WATER INLET, GRAPHITE GRAY
9	035164-000	1	A/W INLET ASSY W/GASKET, 451-GRAPHITE GRAY
10	036052-000	1	TRIM, EXTN, RH
11	002298-000	2	DAMPENER ASSEMBLY, DOOR
12	013449-000	2	EDGING, MOUNTING TRIM, 325
13	000079-000	4	BUTTON,RTNR
14	PM810487	2	DOOR DAMPENER CABLE
15	PD020263	4	SCREW; 10-32 X 5/8 TORX, FLAT HD, MACHINE, 18-8SS
16	000124-000	2	RING, RTNG, CLIP, ZPLT
17	C93813632	1	HINGE, DOOR RIGHT PLATED
18	031706-000	1	CHANNEL, OVERFLOW INSERT, SHORT-WHITE
19	033563-000	2	FOAM, SPRING DAMPENER
20	C93813631	1	HINGE, DOOR LEFT PLATED
21	036051-000	1	TRIM, EXTN, LH
22	000572-000	2	CLIP, MTG
23	009613-000	4	NO.8-18 X 3/4 PASSIVATED HIGH-LOW SCREW
24	031322-000	1	ACTIVE VENT, ASSY



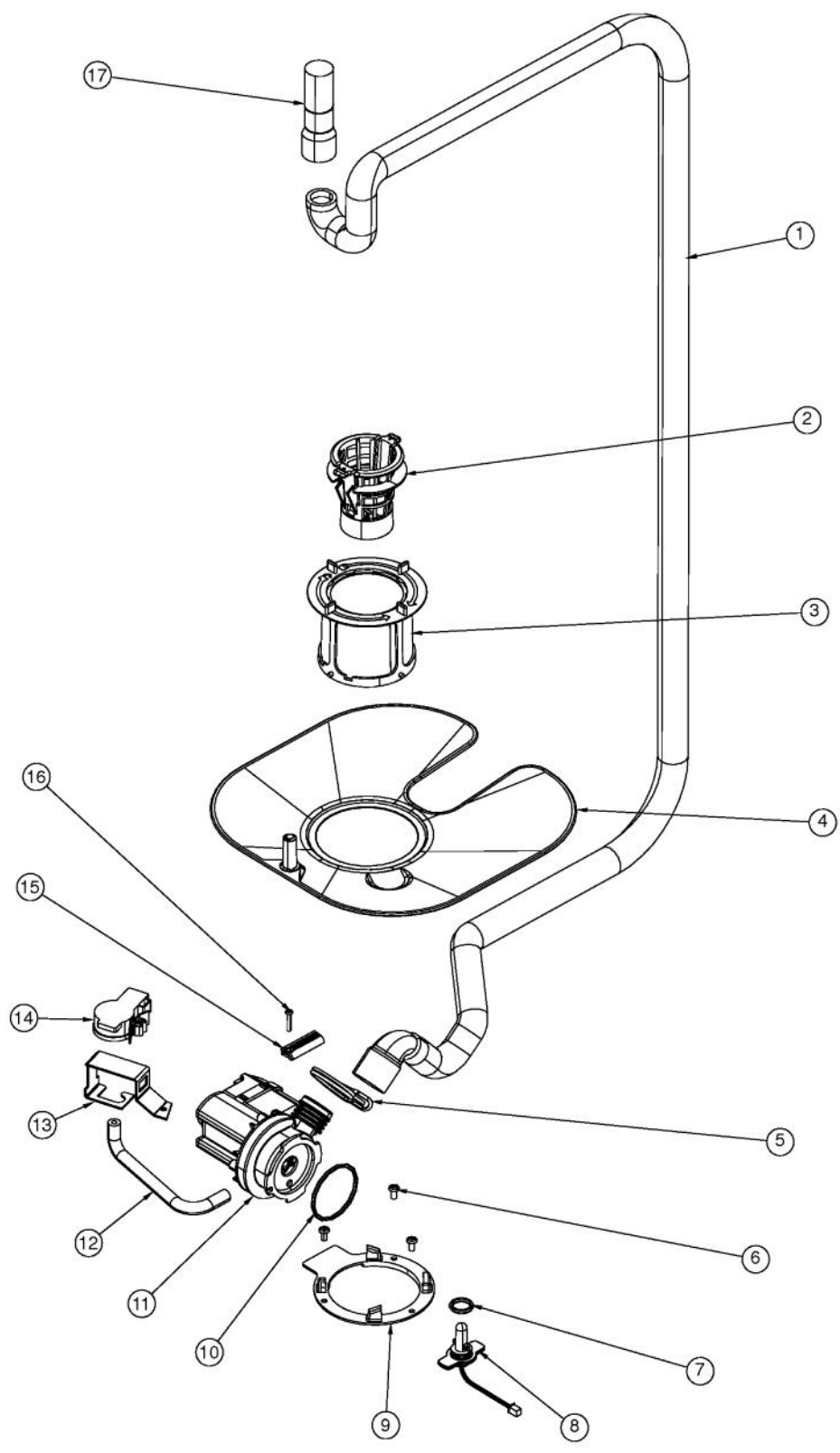
Ref #	Part Number	Qty.	Description
1	PD030156	4	NUT, W/TOOTHWASHER, ZINC, 10-32
2	PK030536	6	SLEEVE, SPACER
3	034201-000	1	CLIP, RACK SLIDE-LF
4	027444-000	3	SLIDE, RACK, ASSY, W/END CAP
5	PK030448	6	RACK SLIDE SPACER
6	034202-000	1	CLIP, RACK SLIDE-LR
7	036571-000	1	SUPPORT, SHELF END, GRAPHITE GRAY
8	035235-000	1	UPPER RACK ASSEMBLY- 451
9	015249-000	2	TIE WRAP, 8 X 0.13, 40 LBS, WEATHER RESISTANCE, BK
10	034214-000	1	DISH GUARD SUPPORT, REAR-GRAPHITE GRAY
11	034204-000	1	CLIP, RACK SLIDE-RR
12	034211-000	1	MIDDLE SPRAY ARM BRKT-GRAPHITE GRAY
13	034203-000	1	CLIP, RACK SLIDE-RF
14	034213-000	1	COUPLING, ADJ PORT-GRAPHITE GRAY
15	PK830249	2	DISH GUARD
16	027495-000	1	BASKET, SIDE
17	G5088897	1	SILVERWARE BASKET ASSEMBLY
18	034210-000	4	DISH RACK CLIP-GRAPHITE GRAY
19	031888-000	2	TINE, LOWER 19 B ASSY- REFRESH
20	031889-000	2	TINE, LOWER 19 ASSY- REFRESH
21	034639-000	1	LOWER RACK ASSEMBLY- 451
22	PC030032	8	WHEEL RACK
23	003478-000	4	LOWER RACK WHEELS BRACKET
24	003479-000	4	LOWER RACK WHEELS BRACKET RETAINER
25	034212-000	1	CONDUIT, SPRAY ARM-GRAPHITE GRAY
26	003151-000	1	FLEXO-DIVIDER, DOUBLE
27	034218-000	1	HANGER, DISH GUARD CLIP,FRONT-GRAPHITE GRAY
28	003150-000	1	FLEXO-DIVIDER, SINGLE



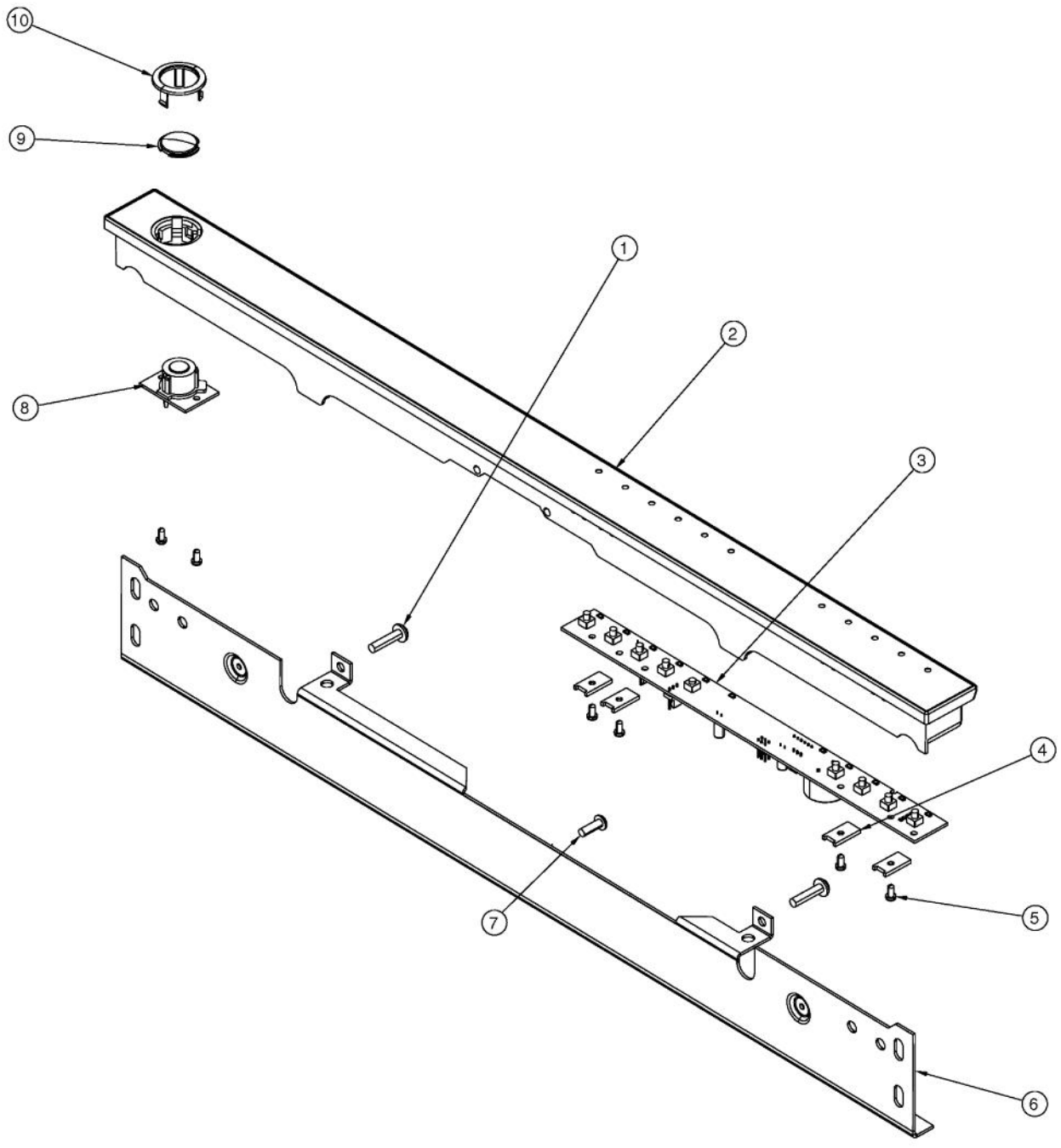
Ref #	Part Number	Qty.	Description
1	PD030179	2	1/4-20 HEX NYLON INSERT LOCK NUT
2	PM810488	2	DOOR DAMPENER PULLEY
3	024130-000	1	BASE, SIDE, LEFT
4	033492-000	1	BUSHING, HEYCO NO.2862
5	031421-000	1	CONTROLLER, MACHINE, DISHWASHER-ELAN'
6	021114-000	1	HARNES, VENT
7	023975-000	2	CLAMP, TUB, REAR
8	PK030541	2	MOUNT, MACHINE CONTROLLER
9	PE850191	1	ELECTRONIC MOTOR SPEED CONTROL MODULE
10	PC040020	4	NYLON TREE PUSH-IN RIVETS
11	PD020249	15	SCREW, NO.8-18 X 3/8, TYPE B, TORX, PAN HEAD, ZINC, BL...
12	PE050229	1	FLOOD SENSOR
13	PD020236	1	SCREW, NO.8 - 16 X 3/4, TORX, FLAT HEAD, HI-LO, 304SS
14	024147-000	1	PAN, BASE, BOTTOM
15	PM810495	1	HEX BAR
16	PD020255	16	1/4-20 X 3/8 HEX WSHR THD CUT ZINC
17	PD040163	4	BUSHING, POWER CORD
18	G5088830	3	LEG LEVELING SYSTEM ASSEMBLY
19	024041-000	1	BRACKET, BASE, REAR
20	PE070209	1	STRAIN RELIEF
21	006575-000	3	TIE WRAP
22	007564-000	1	HOSE, WATER FILL, 5-FOOT
23	005033-000	1	POWER CORD-90 DEGREE
24	029377-000	1	WATER VALVE ASSEMBLY S-101D
25	PD020250	2	SCREW; NO.10-32 X 3/8 TORX, PAN, ZINC, TYPE F
26	029375-000	1	DRY SYSTEM DUCT, UPPER, LOWER, ASSY
27	034959-000	1	HOSE, 12 INL. VALVE TO AIR/ WATER INLET
28	035164-000	1	A/W INLET ASSY W/GASKET, 451-GRAPHITE GRAY
29	024143-000	1	BASE, RIGHT SIDE ASM- 451
30	034448-000	1	BLOWER, NC30, NCB, 30X106 R DC K317
31	034768-000	2	NO.8 X 1/2 TORX PAN HD PLASTITE ZINC PLATED SCREW
32	001796-000	6	RETAINER, HARNES
33	PE070708	1	TERMINAL BLOCK
34	PD020214	3	SCREW, TYPE F, PAN, TORX, ZINC, 8-32 X 0.5
35	024015-000	1	COVER, TERMINAL BLOCK
36	PD020265	2	1/4-20 X 1 1/4 TORX PAN HD MACHINE SCREW
37	PF031283	3	LABEL, LEVELING ARROWS
38	023534-000	1	BASE, FRONT
39	PD020215	6	SCREW, TYPE F, PAN, TORX, ZINC, 8-32 X 1.5, BLUNT
40	PK830395	2	HEX HEAD ADJUSTER, FRONT
41	025270-000	1	PANEL, BASE, FR BR
42	032718-000	1	LABEL, WARNINIG, KICK PLATE
43	010851-000	1	BRACKET, ADJUSTABLE TOE KICK, RIGHT, ASSY
44	035263-000	1	EXHAUST, EXTENSION DUCT- 451?
45	031515-000	1	KICKPLATE, BLACK, ASSY- 451
46	NON-SERVICEABLE	1	TUB WELDMENT
47	010850-000	1	BRACKET, ADJUSTABLE TOE KICK, LEFT, ASSY
48	032720-000	1	LABEL, CAUTION, LEVELING LEGS
49	PK830366	1	HEX HEAD ADJUSTER, REAR
50	PB070338	1	SHIELD, DIELECTRIC



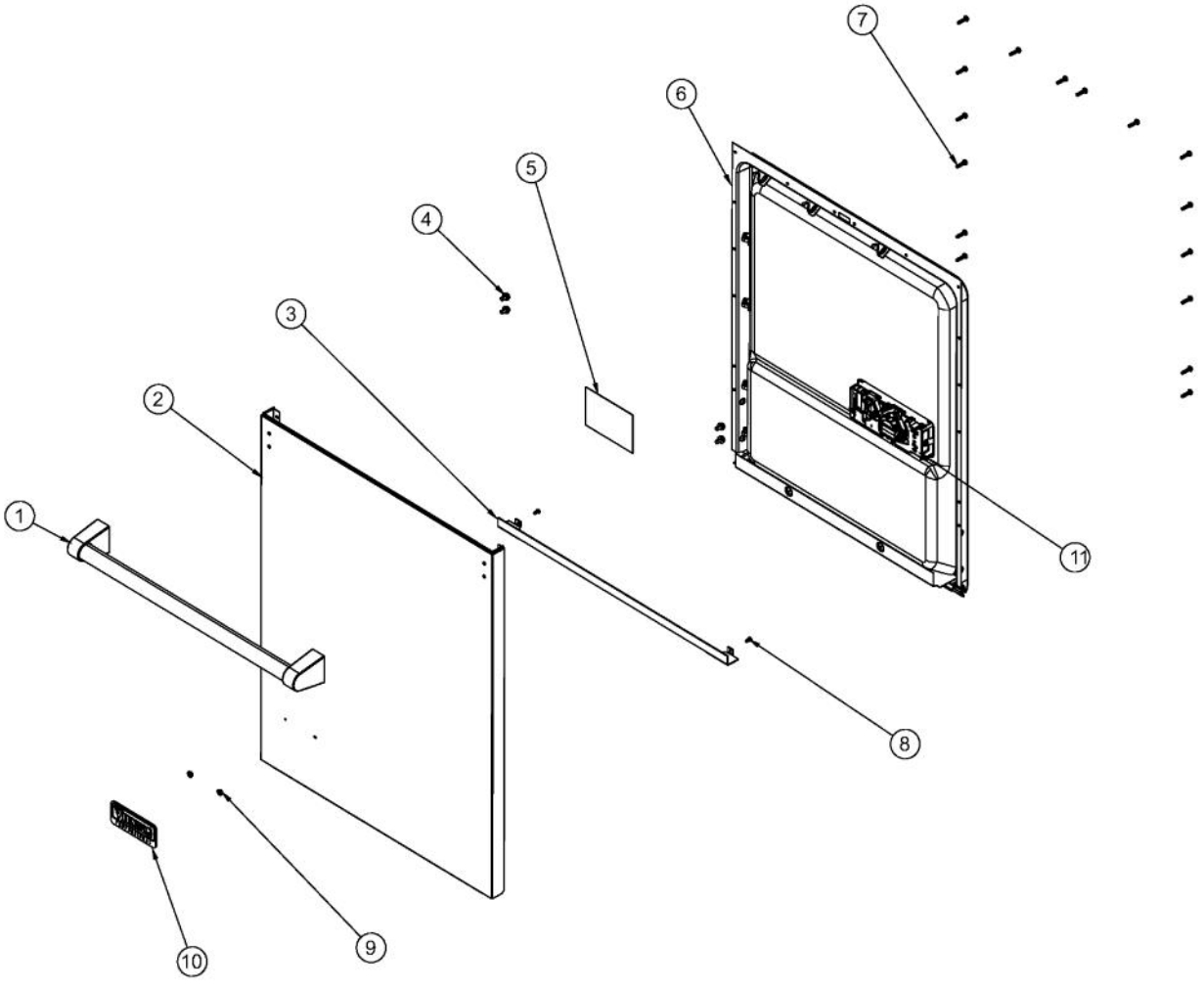
Ref #	Part Number	Qty.	Description
1	G2188879	1	MIDDLE SPRAY ARM, ASSEMBLY
2	004062-000	1	REAR PORT ASSEMBLY
3	F2088867	1	CONDUIT, LOWER
4	019589-000	1	PUMP & MOTOR ASSEMBLY
5	PD030165	2	CLAMP, WIRE, HOSE
6	000370-000	1	MOUNT, MOTOR
7	PB020264	1	HOSE, PUMP TO PERIMETER SPRAYER
8	021036-000	1	HOSE, HEATER TO PUMP
9	PD030163	4	CLAMP, WIRE HOSE
10	016403-000	1	HEATER, FLOW THRU, 1200 WATT
11	PB020263	1	HOSE, PUMP TO DIVERTER VALVE
12	021034-000	1	HOSE, SUMP TO HEATER
13	002283-000	2	CLAMP, DOUBLE WIRE, HOSE
14	PD020262	3	SCREW, 8-14X3/8 TORX, PAN HEAD, PLASTITE, 304 SS
15	PA810147	1	DIVERTER VALVE
NI	040626-000	1	DIVERTER VALVE KIT
16	PB870194	2	O-RING, DIVERTER VALVE
17	000380-000	1	SUPPORT, MOTOR
18	PM810359	1	VENTURI PLATE
19	PD020245	1	SCREW, NO.6-19 X 3/4 TORX, PAN HEAD, PLASTITE, 304SS
20	PK830260	1	LOWER SPRAY ARM VENTURI SPINDLE
21	G2188882	1	LOWER SPRAY ARM, ASSEMBLY
22	PK830375	1	MIDDLE SPRAY ARM LOCK NUT, 1/4 TURN



Ref #	Part Number	Qty.	Description
1	PB820205	1	HOSE, DRAIN
2	PB880032	1	TRAP, GLASS
3	G5088865	1	FINE FILTER ASSEMBLY
4	035205-000	1	FILTER, PRIMARY ASSY-301/451
5	PD030164	1	CLAMP, DOUBLE WIRE, HOSE, .126
6	009039-000	1	SCREW, NO.10 X 3/8 PHIL PAN HD PLASTITE 18-8 PASSIVAT...
7	PB870196	1	SUB TO 020784-000 - O-RING, LEVEL SENSOR
8	034300-000	1	SENSOR, TEMP ASSY (THERMISTOR)
9	034273-000	1	FILTER LOCKING PLATE
10	PB870195	1	O-RING, DRAIN PUMP
11	006521-000	1	PUMP, DRAIN ASM
12	015785-000	1	TUBE, PRESSURE SENSOR
13	006985-000	1	BRACKET, PRESSURE SENSOR
14	PD160016	1	PRESSURE SENSOR (8073839)
15	PK830239	1	DRAIN FILTER
16	PD020245	1	SCREW, NO.6-19 X 3/4 TORX, PAN HEAD, PLASTITE, 304SS
17	PB820205	1	HOSE, DRAIN



Ref #	Part Number	Qty.	Description
1	033411-000	2	NO.6 X 0.75 PLASTITE SCREW W/NO.8 TORX TRUSS HD
2	033315-000	1	OVERLAY ASSEMBLY- 451
3	031424-000	1	USER INTERFACE, PROGRAMMED- 451
4	031187-000	4	FASTENER, UBS, UI
5	PD020197	6	SCREW, HI-LOW, PAN, TORX, ZINC, 4-20 X 0.25
6	032814-000	1	BRACE, HANDLE, DOOR
7	008987-000	1	SCREW, NO.8 X 1/2 PAN TORX ZINC HIGH-LOW
8	029931-000	1	SWITCH, START, ASM
9	030795-000	1	BUTTON, COVER
10	030796-000	1	RING, BEZEL
NI	029427-000	1	OVERLAY, USERV INTERFACE, 451



Ref #	Part Number	Qty.	Description
1	034824-000	1	HANDLE, PANEL, ASM
2	027458-000	1	DISH DOOR PANEL, SS
2	035058-002	1	SKIN, DOOR, PRO, BLACK
2	035058-006	1	SKIN, DOOR, PRO, WHITE
3	031062-000	1	BRACKET, DOOR, SPREADER
4	PD010019	4	BLT-1/4-20X3/8HEX WASHER SERATED
5	031065-000	1	LABEL, USA LOCAL LARGE
6	035152-000	1	DOOR, 301 ASSY
7	033411-000	14	NO.6 X 0.75 PLASTITE SCREW W/NO.8 TORX TRUSS HD
8	PD020249	2	SCREW, NO.8-18 X 3/8, TYPE B, TORX, PAN HEAD, ZINC, BL...
9	PD030006	2	CAPPED WASHER PAL NUT
10	PE010016	1	NAMEPLATE, LOGO, PRO
10	PE010017	1	LOGO (VGSO,VEDO,VGDO,VUD) XWH/CHR
11	029376-000	1	SLIDE SOAP DISPENSER
NI	013380-000	1	DOOR LATCH
NI	014072-000	1	SEAL, DOOR, LOWER
NI	025033-000	1	DOOR WIPER, 6

*No Image
Available*

Ref #	Part Number	Qty.	Description
NI	038600-000	1	INSTALLATION HARDWARE KIT - SDB/VDB451