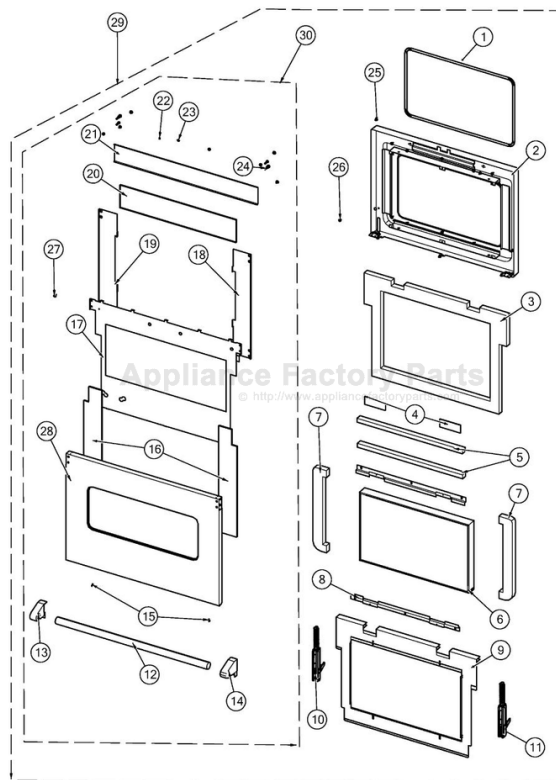


This Owner's Manual is provided and hosted by [Appliance Factory Parts](http://www.appliancefactoryparts.com).



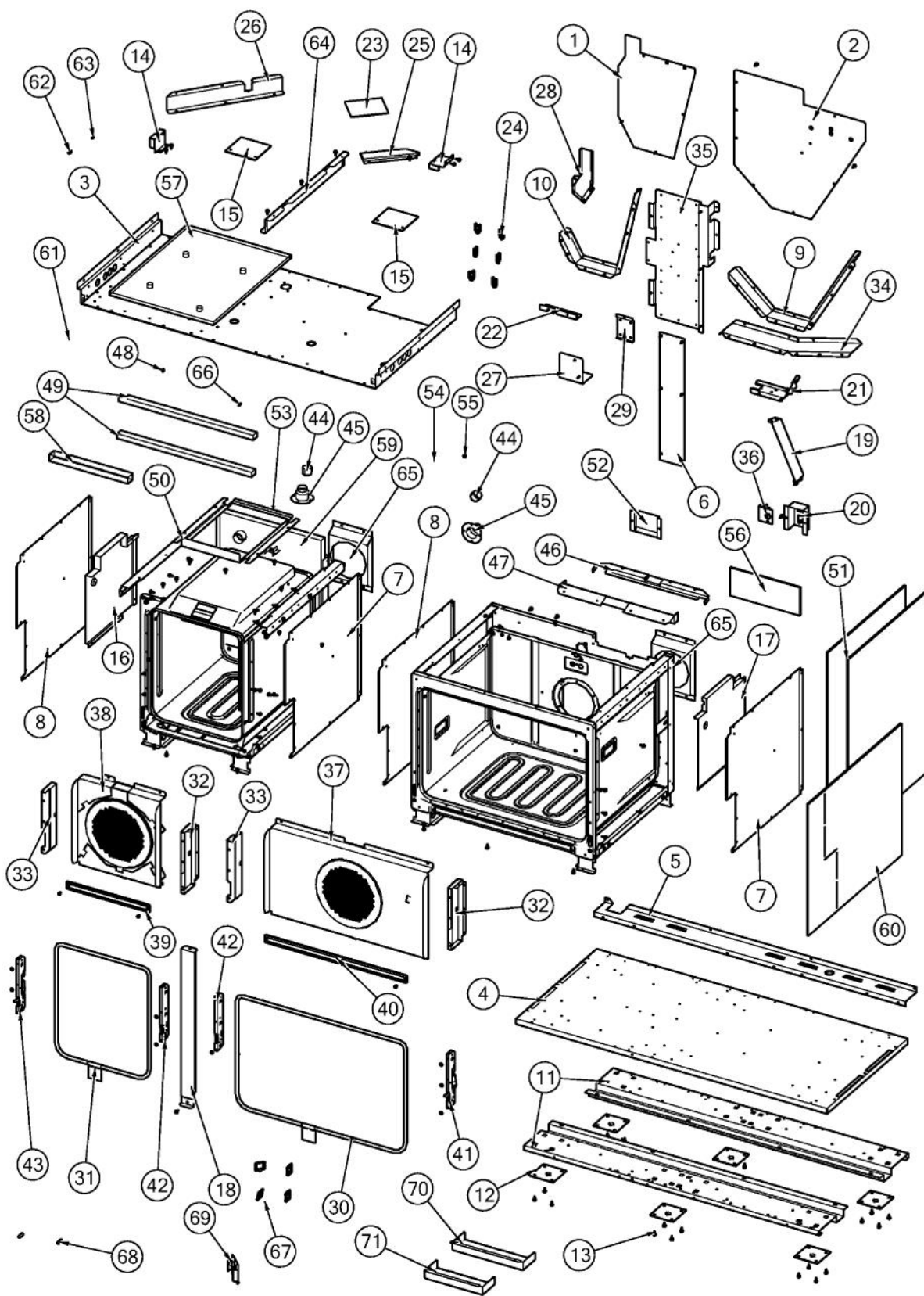
# VIKING VDR748-8B Owner's Manual

[Shop genuine replacement parts for VIKING  
VDR748-8B](#)



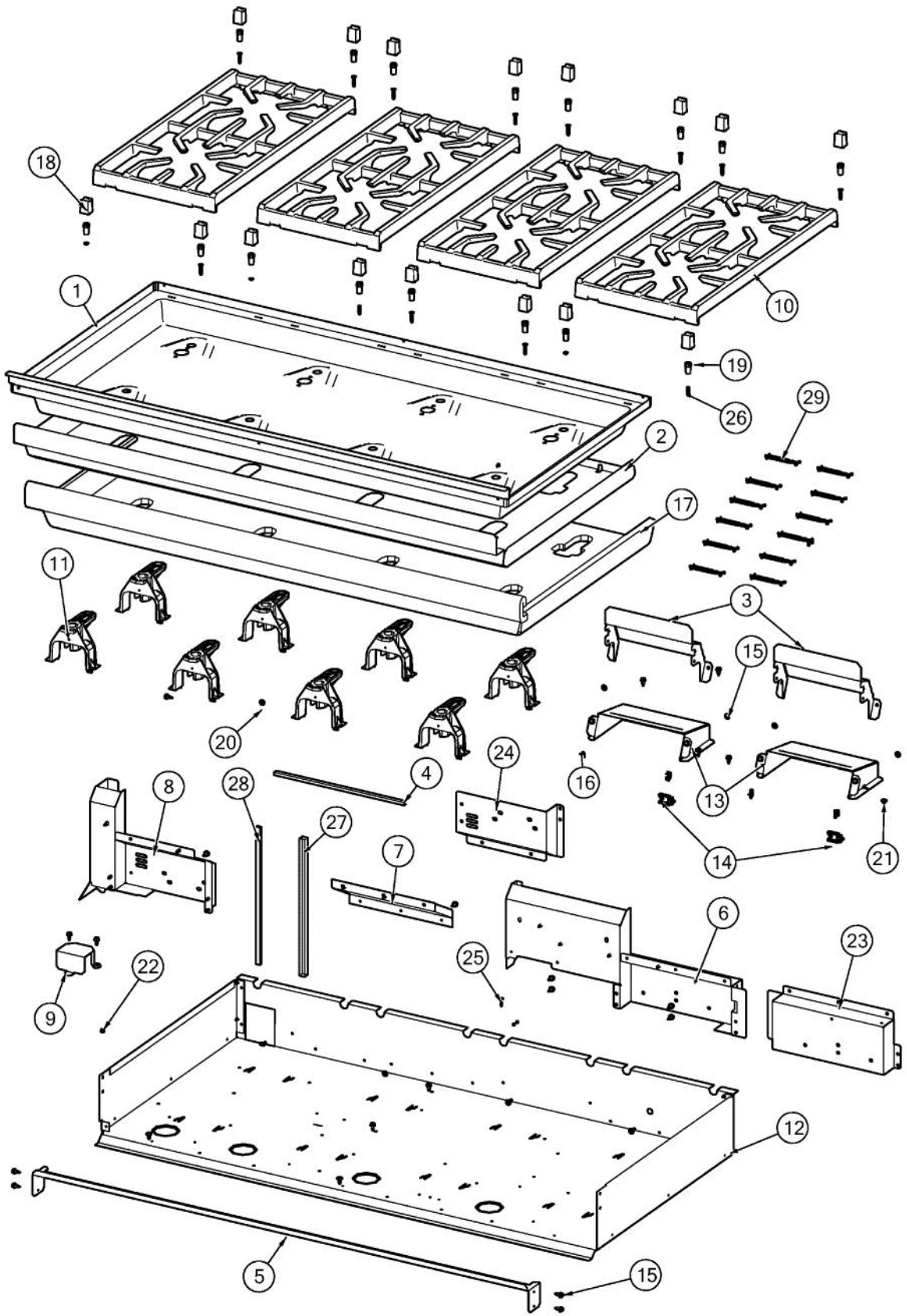
[Find Your VIKING Range Hoods Parts - Select From 411 Models](#)

----- Manual continues below -----

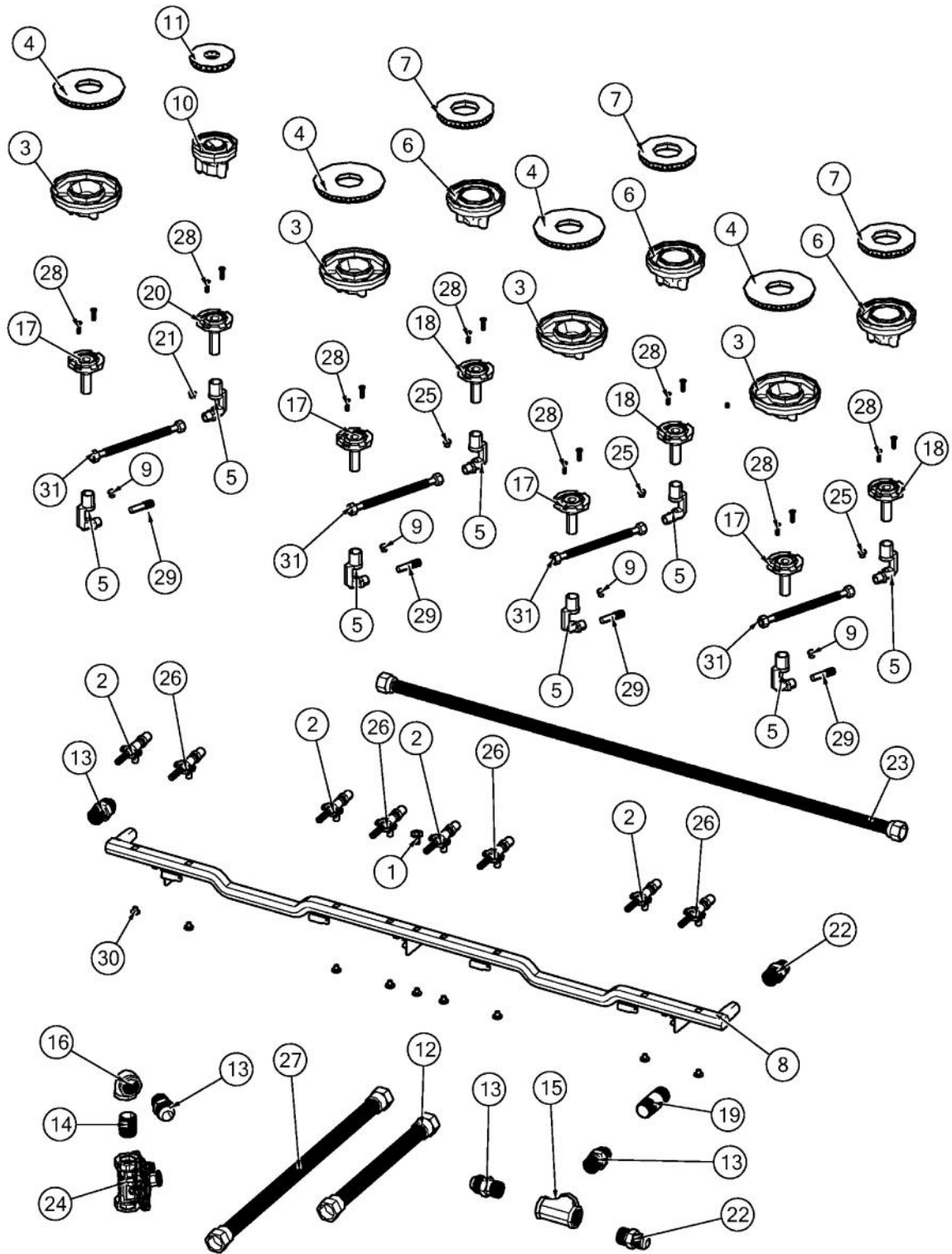


Ref #	Part Number	Qty.	Description
1	047813-000	1	PANEL, CVR, LH
2	047812-000	1	PANEL, CVR, RH
3	043765-000	1	PANEL, INSL, 48 TOP DF
4	043907-000	1	BASE, BOT, 48 GAS
5	043864-000	1	RANGE, BASE, BACK, DF
6	044862-000	1	BRKT, REAR, CAVITY, INTL
7	048194-000	2	RETAINER, INSULATION, WRAPPER, RH
8	048200-000	2	RETAINER, WRAPPER, INSULATION, LH
9	049784-000	1	BAFFLE, FAN, REAR
10	047806-000	1	BAFFLE, AIR, REAR, VDSC 18
11	047055-000	2	BRACKET, LEG, OFFSET
12	PC030007	6	LEG PLATE - 3/4 THREADED HOLE
13	003860-000	1	NO.10-18 X .500 FASTNR,SCR,HXWH,STL,ZPLT
14	046065-000	2	BRACKET, SWITCH, OVEN LIGHT
15	013564-000	2	LOWER LATCH INSULATION
16	048646-000	1	SHIELD, DIVERTER, HEAT, LH
17	048962-000	1	SHIELD, DIVERTER, HEAT, RH
18	048644-000	1	TRIM, CTR, VDR 48
19	049755-000	1	DIVERTER, AIR, BACK WALL, VDSC
20	N/P	1	CABINET (NOT FIELD REPLACEABLE)
21	049785-000	1	BAFFLE, FAN, REAR, TOP
22	047841-000	1	BRKT, MOUNT, CAPACITOR
23	004285-000	1	INSULATION, FOIL-BACKED,4X5
24	045548-000	6	CLIP, ROUTING, WIRE?
25	003333-000	1	DUCT, FLUE
26	048639-000	1	DIVERTER, AIR, LH
27	047826-000	1	BRKT, BASE, RETAINER, VALVE, SHUT OFF
28	044838-000	1	EXHAUST, DUCT, REAR, VDSC 18 INTL
29	N/P	1	CABINET (NOT FIELD REPLACEABLE)
30	044796-000	1	GASKET, LINER, DF, ASM, 30
31	044818-000	1	GASKET, LINER, DF, ASM, 18
32	048195-000	2	SHIM, SHIELD, RETAINER, RH HINGE
33	048199-000	2	SHIM, SHIELD, RETAINER, LH HINGE
34	047831-000	1	SHIELD, DIVERTER, WATER
35	047798-000	1	PNL, TRAY, MOUNT, ELECTRONICS
36	A2002195	1	POWER CORD MOUNTING BRKT (VDSC)
37	032857-402	1	BAFFLE, CONV, ASM, D3, BLACK?
38	006176-402	1	BAFFLE, CNVN, ASM, VDSC 18?
39	003490-000	1	COVER, BAKE, 18
40	E2109655	1	COVER, BAKE TRAY
41	045786-000	1	RECEIVER, HINGE, SLOW-CLOSE, DAMPENED
42	045060-000	2	RECEIVER, HINGE, SLOW-CLOSE, UNDAMPENED
43	046853-000	1	RECEIVER, NUOVA STAR, DAMPENED, BLK
44	PB020275	2	VENT TUBE
45	PM010014	2	SMOKE ELIMINATOR (VDSC)
46	024221-000	1	BRACKET, BROLIER, REAR
47	024234-000	1	BRACKET, BROLIER, FRONT
48	037304-000	1	FASTENER, PNH, TORX, AB, PSVD, WAX
49	013547-000	2	BAKE ELEMENT INSULATION
50	043763-000	4	BRKT, TOP, WRAPPER
51	033588-000	2	INSULATION, TOP FOIL BACK
52	048838-000	1	DIVERTER, SHIELD, HEAT, DUCT
53	006748-000	1	BRACKET, SST, 201HP, MILL, VDSC 18, GLASS BROILER
54	037304-000	1	FASTENER, PNH, TORX, AB, PSVD, WAX
55	014143-000	1	SCR 10-12 A SHLD TRP 1/2 S ZN BLUE
56	006220-000	1	INSULATION, DOOR, SKIN, TOP, VDSC 18
57	017699-000	1	INSULATION, BAKE BOTTOM
58	017697-000	2	INSULATION, BAKE, FRONT

Ref #	Part Number	Qty.	Description
58	017697-000	2	INSULATION, BAKE, FRONT
59	017701-000	1	INSULATION, CAVITY BACK
60	050302-000	1	INSULATION SIDE FOIL BACK
61	046595-000	1	WASHER, FIBER, BLACK
62	043800-000	1	BUMPER, RBR, BLK
63	046651-000	1	SCREW, TRILOBE, 10-32, TRUSS, PH, BLACK
64	043866-000	1	DIVERTER, AIR, DF
65	A2009697	2	BRACKET, CONVECTION INSULATION
66	PD020010	1	10 X 3/8 GREEN GROUNDING SCREW
67	045550-000	4	SADDLE, WIRE, EDGE
68	044044-000	2	GROMMET, SWITCH, DOOR, RBR
69	047827-000	2	BRKT, RETAINER, TOP, REGULATOR
70	049484-000	2	BRACKET, FILLER, BLOWER
71	049485-000	1	BRACKET, FAN, MT, BOT, VDSC 18
NI	048460-000	1	INSULATION KIT NO.8
NI	048457-000	1	INSULATION KIT NO.10
NI	048458-000	1	INSULATION KIT NO.2

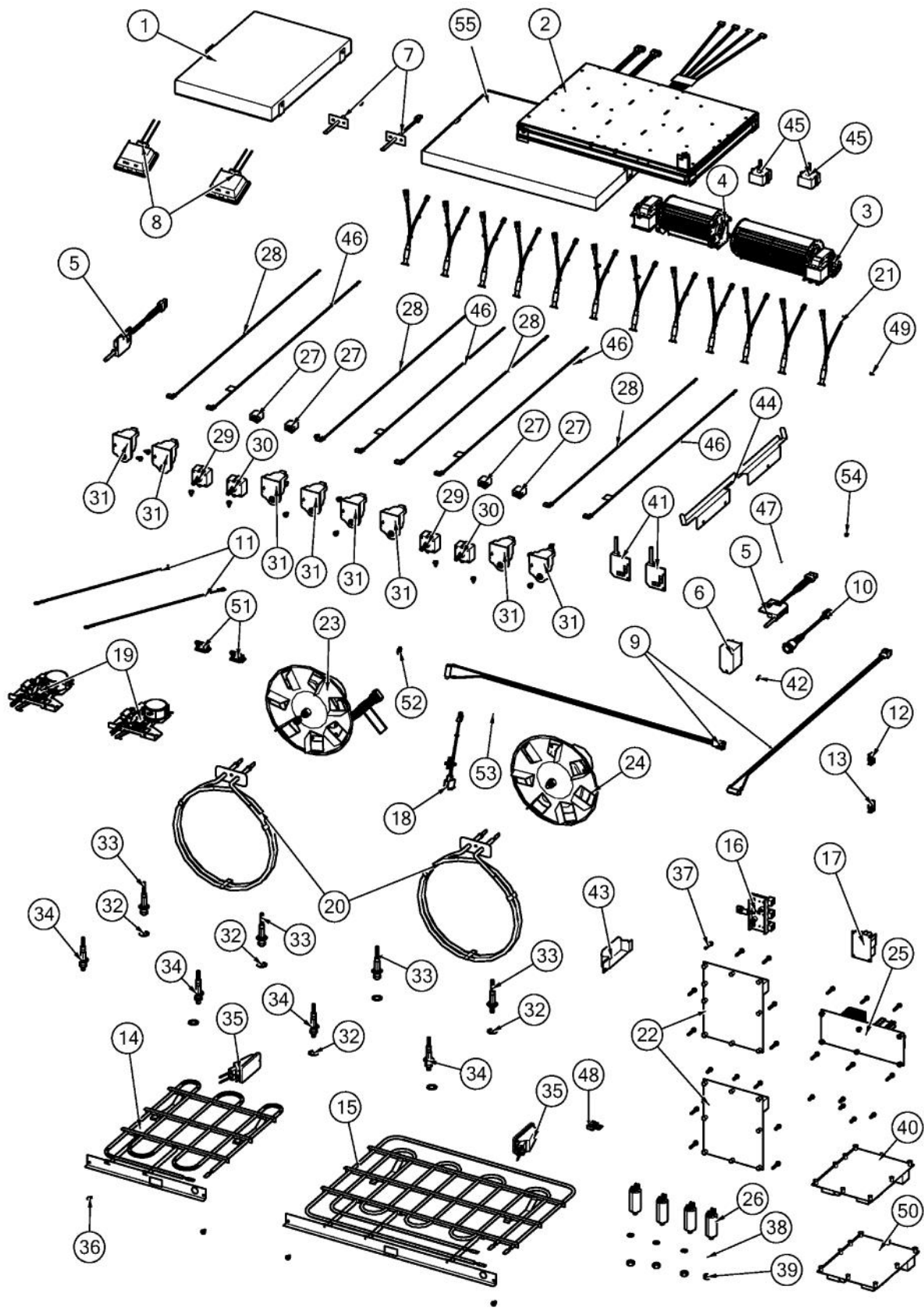


Ref #	Part Number	Qty.	Description
1	048236-402	1	PAN, BNR, SHIM, ASM, BK?
2	049695-000	1	TRAY, PNL, INSULATION, BURNER PAN, 48?
3	049964-000	2	SHIELD, HEAT, HARNESS, TOP
4	028325-000	1	GASKET, 1/4 X 3/8, 1-SIDE ADHESIVE
5	049728-000	1	BRACKET, MTG, 48 CONTROL PANEL
6	043851-000	1	DUCT, RH, ADJUSTABLE, DIVERTER, AIR
7	047816-000	1	DIVERTER, WATER, DUMP
8	043861-000	1	DUCT, LH, ADJUSTABLE, DIVERTER, AIR
9	048188-000	1	BRACKET, TEE, PIPE
10	042545-000	4	GRATE, CAST, 12
11	044486-000	8	SUPPORT, HLDR, JET
12	N/P		CABINET
13	049753-000	2	SHIELD, HEAT, HARNESS, BTM
14	045548-000	2	CLIP, ROUTING, WIRE?
15	003860-000		NO.10-18 X .500 FASTNR,SCR,HXWH,STL,ZPLT
16	050610-000	4	SADDLE, WIRE, EDGE, .46 X .29
17	049743-000	1	INSULATION, LINER, BURNER PAN, 48?
18	042410-000	16	SUPPORT, GRATE
19	046873-000	16	SILENCER, GRATE
20	PD020068		NO.10 - 32 X 1/2TRUSS. PHIL. M.XSSX
21	014143-000		SCR 10-12 A SHLD TRP 1/2 S ZN BLUE
22	PD020010		10 X 3/8 GREEN GROUNDING SCREW
23	051346-000	1	DUCT, LH, ADJUSTABLE, DIVERTER, AIR
24	051345-000	1	DUCT, LH, ADJUSTABLE, DIVERTER, AIR
25	PD020061		NO.8 X 3/4 FLAT HD TEK. SS.
26	049534-000		SCREW, 8-32 X 3/4, PHIL, FLAT
27	051457-000	1	GASKET, 1/2 X 1/2, 1-SIDE PSA
28	028325-200	1	ADHESIVE GASKET, 1/4 X 3/8
29	048961-000	11	STANDOFF, TWIST LOCK, TALL

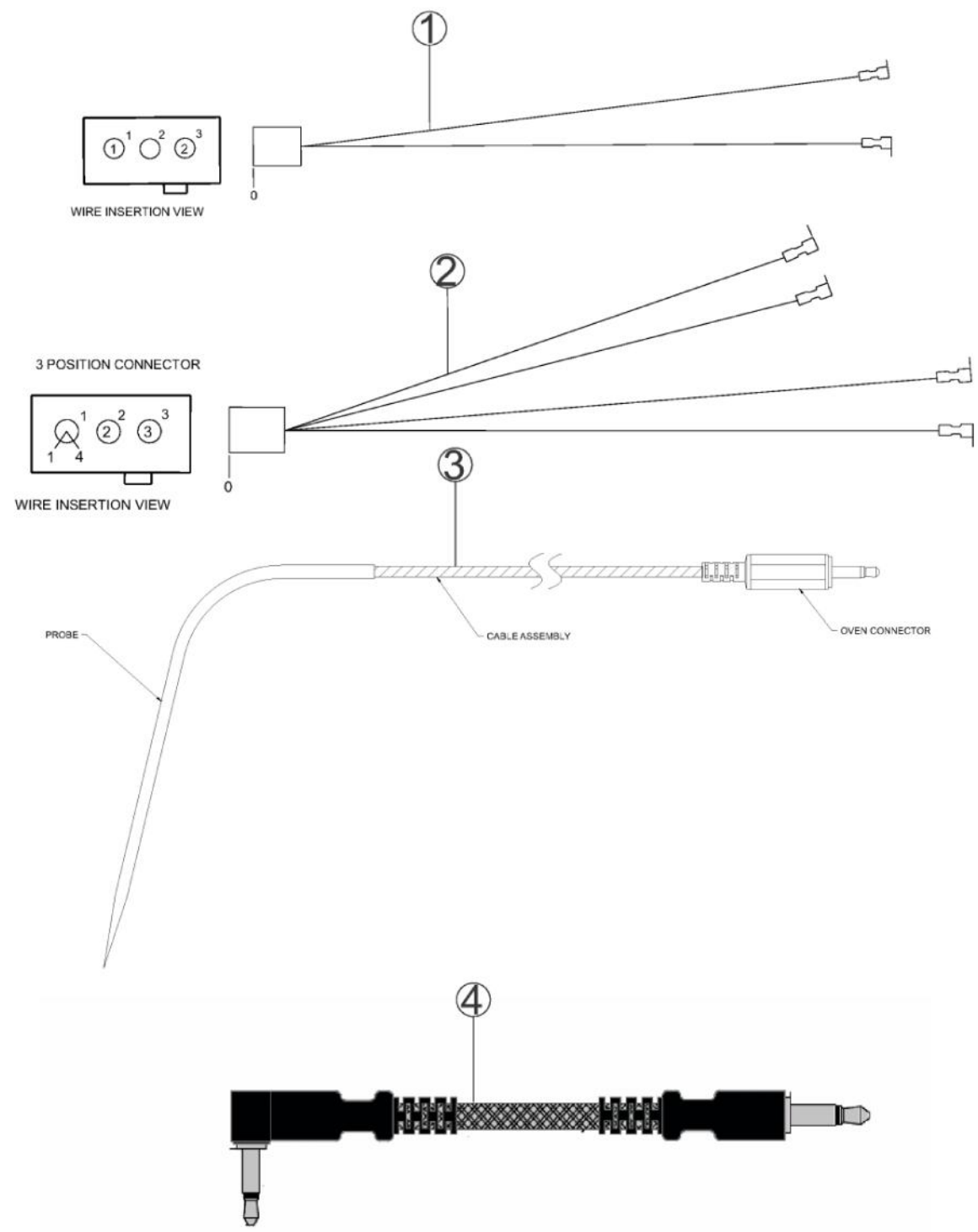


Ref #	Part Number	Qty.	Description
1	002884-000	1	MANIFOLD PLUG
2	043134-000	4	VALVE, BNR, 9/16-24 UNEF ASSY - NAT
2	047916-000	4	VALVE, BNR, 9/16-24 UNEF ASSY - LP
3	043158-000	4	E-BURNER BASE
4	043159-000	4	E-BURNER HEAD
5	043208-000	8	HOLDER, JET, BURNER
6	043249-000	3	BASE, BNR, D
7	043251-000	3	D-BURNER HEAD
8	043260-000	1	MANIFOLD, GAS, 48 ASM
9	043675-000	4	ORIFICE, BNR, STD, 2.18MM - NAT
9	043679-000	4	ORIFICE, BNR, STD, 1.32MM - LP
10	043790-000	1	BURNER, BASE, C-SIZE
11	043791-000	1	BURNER, HEAD, BRS, C-SIZE
12	044310-000	1	TUBING, 3/4 FLEX, SST, 13
13	044321-000	4	FITTING, ADAPTOR, 3/4 FLEX TUBING
14	044322-000	1	NIPPLE, CLOSE, 3/4 NPTM TO 3/4 NPTM
15	044323-000	1	TEE, PIPE, 3/4
16	044325-000	1	ELBOW, 90 DEG STREET, 3/4 NPT
17	044485-000	4	VENTURI, E NAT, FLANGE, BNR - NAT
17	044488-000	4	VENTURI, E LP, FLANGE, BNR - LP
18	044487-000	3	VENTURI, D NAT, D LP, FLANGE, BNR
19	044637-000	1	NIPPLE, PIPE, 2-1/2, 3/4 NPTM TO 3/4 NPTM
20	044686-000	1	VENTURI, C NAT, C LP, FLANGE, BNR
21	044688-000	1	ORIFICE, BNR, STD, 1.22MM - NAT
21	044820-000	1	ORIFICE, BNR, STD, .813MM - LP
22	044824-000	2	FITTING, ADAPTOR, 1/2 FLEX TUBING
23	044832-000	1	TUBING, 1/2 FLEX, SST, 38
24	046119-000	1	PRESSURE REGULATOR - NAT
24	046120-000	1	REGULATOR, PRSS, 3/4 INLET, 3/4 OUTLET - LP
25	046184-000	3	ORIFICE, BNR, STD, 1.70MM NAT
25	043679-000	3	ORIFICE, BNR, STD, 1.32MM - LP
26	046197-000	4	VALVE, BNR, 9/16-24 UNEF ASSY - NAT
26	047915-000	4	VALVE, BNR, 9/16-24 UNEF ASSY - LP
27	046399-000	1	TUBING, 3/4 FLEX, SST, 20
28	046964-000		SCREW, 10-32 X 3/4, CTSK, BLACK
29	PB020191	4	15 FLEX TUBE
30	PD010012	9	VALVE BOLT 1/4-20 UNC-2B 5/16 M.S.
31	PB020198	4	20 FLEX TUBING

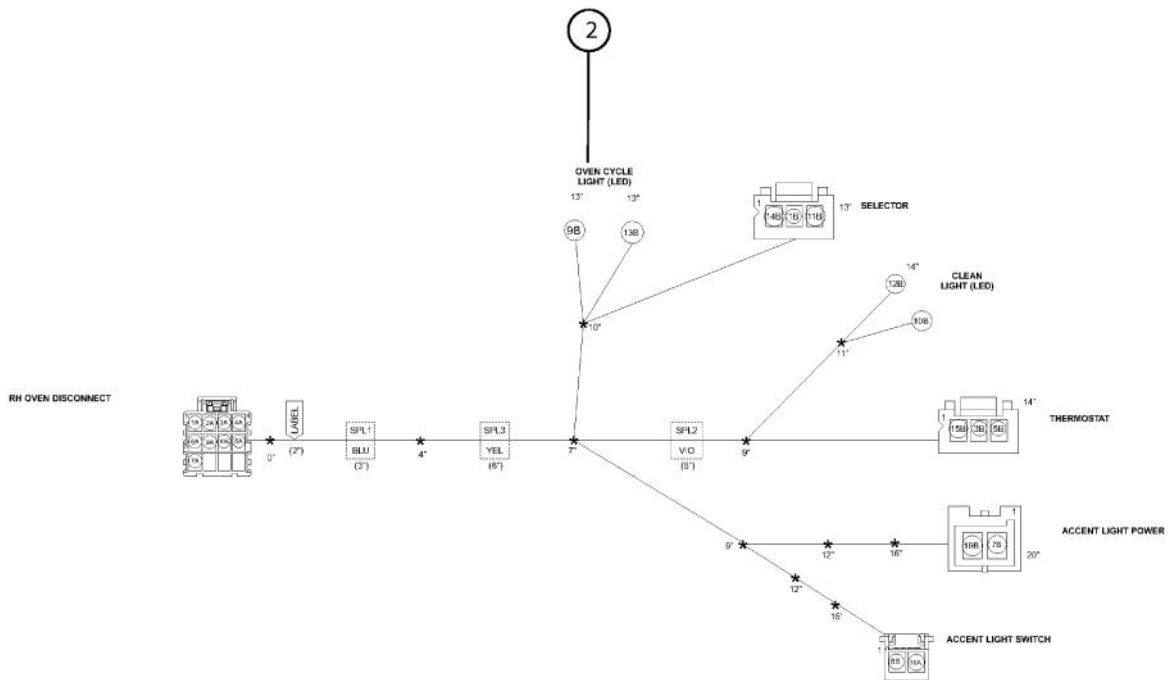
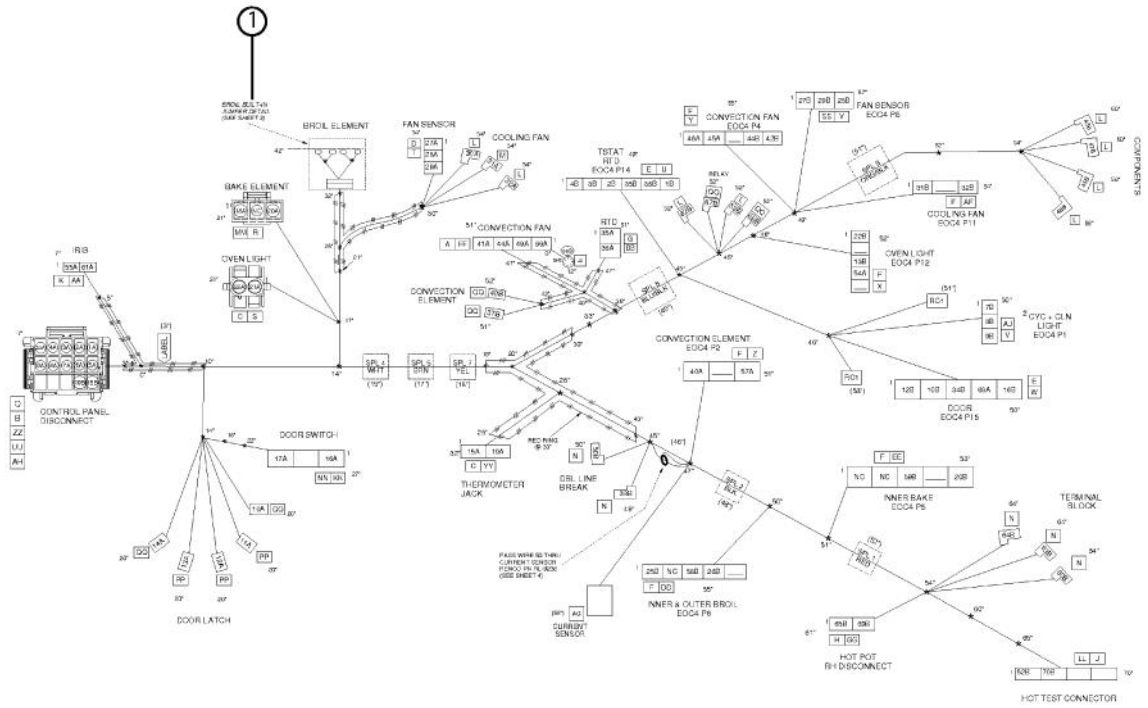




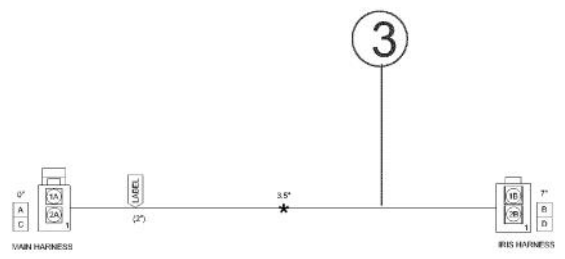
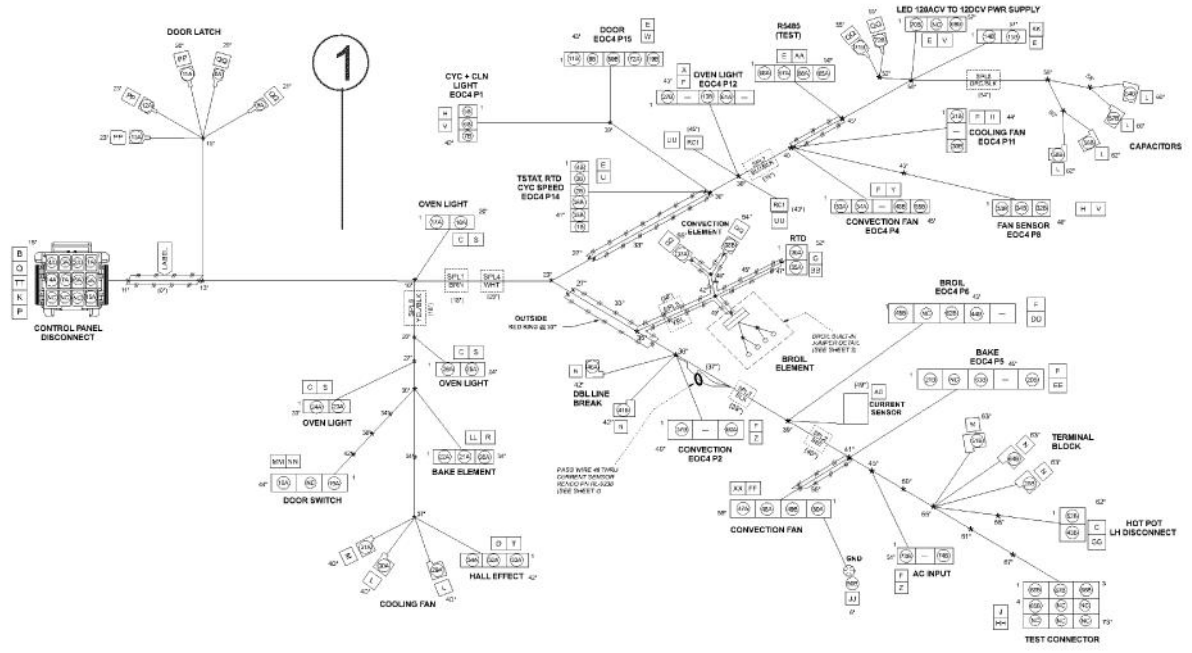
Ref #	Part Number	Qty.	Description
1	006380-00	1	ELEMENT, GLASS, BROILER, 18?
2	024040-000	1	ELEMENT, RIBBON (USE PART NO. 013930-000 IF OUT OF 0...
3	018607-000	1	FAN,BLO, 220-240V 50/60HZ ASSY
4	018608-000	1	FAN,BLO, 220-240V 50/60HZ ASSY
5	045032-000	2	SWITCH, DOOR, W-CONNECTOR, ASM
6	049463-000	1	RELAY, DPST, 30A, 120VAC, COIL
7	PE050206	2	RTD THERMOSTAT PROBE
8	020403-000	2	BJB SLIMLINE 40W BULB
9	008880-000	2	MEAT PROBE RECEPTACLE ASM
10	044195-000	1	SWITCH, PB-LT, 5WIRE, ASSY
11	044607-000	2	WIRE, GROUND
12	023024-000	1	MODEL HEADER 16
13	023023-000	1	MODEL HEADER 15
14	006166-000	1	ELEMENT, BAKE, VDSC18
15	PJ010048	1	BAKE ELEMENT
16	PE070147	1	TERMINAL BLOCK
17	044693-000	1	SUPPLY, POWER, AC/DC 12VDC, 15W
18	046283-000	1	SWITCH, LIGHTS, ACCENT W/CONN?
19	039293-000	2	LATCH, ELEC, 240V, ASSY
20	PJ010047	2	CONVECTION ELEMENT
21	048809-000	12	LAMP, LED, 12VDC, 2.84K, WHITE, ASM?
22	038419-000	2	CONTROL,BD,EOC4, CB
23	006168-000	1	FAN, CNVN, ASM, VDSC 18
24	G32014020	1	CONVECTION FAN ASSY
25	038417-000	1	EOC4 POWER SUPPLY BOARD, CB
26	036047-000	4	CAPACITOR, CONV MOTOR, INTL
27	043135-000	4	HOUSING, LIGHT, LED, BLUE 3.3V
28	028312-000	4	WIRE, ELECTRODE,IRIS,REAR?
29	PJ030033	2	SELECTOR (10 POS)
30	PJ030035	2	THERMOSTAT
31	PA020058	8	IRIS SINGLE SPARK MODULE
32	045932-000	8	WASHER, ELECTRODE?
33	043067-000	4	ELECTRODE , ASM, D?
34	043065-000	4	ELECTRODE, ASM E?
35	005311-000	2	120V/25W HALOGEN LIGHT
36	037304-000	1	FASTENER, PNH, TORX, AB, PSVD, WAX
37	M0211021	1	SCREW-SM
38	PD040164	1	5/16 INTERNAL TOOTH LOCK WASHER TYPE A
39	PD030172	1	M8 X 1.25MM NUT
40	046141-000	1	PCBA, EOC4 WITH LED HEADER
41	048347-000	2	SWITCH, SPDT, DOOR, STRAIGHT TABS
42	PD020067	1	NO.6 X 3/8 PAN PHIL. TEK SS
43	016021-000	1	COVER, TERM, BROILER
44	013621-000	1	BRACKET, BRL, REAR
45	PJ030035	2	THERMOSTAT
46	028324-000	4	WIRE, ELECTRODE,IRIS,FRONT?
47	045594-000	1	SCREW, SHCS, NO.4-40 X 3/8, SS
48	009645-000	1	MODEL HEADER 11
49	PD020006	1	NO.6-32 X 1/4 PH.PAN HD. T(F)
50	046142-000	1	CONTROL, EOC4, LED, HDR, FD SW
51	045548-000	2	CLIP, ROUTING, WIRE?
52	008882-000	1	FASTENER, WSHR, LCKG, 1/4 I.D.
53	008883-000	1	FASTENER, NUT, SST, 1/4 32
54	042402-000	2	WASHER, W/ADHESIVE
55	013930-000	1	ELEMENT, RIBBON (USE PART NO. 024040-000 IF OUT OF 0...
NI	045081-000	1	HARN, VDR748, CP, LH
NI	048830-000	1	KITCHEN THERMOMETER
NI	048831-000	1	KITCHEN THERMOMETER P/N 1KT002 VIKING OVERLAY
NI	046014-000	1	DEVICE, THERMOMETER, IGRILL, RETAIL



Ref #	Part Number	Qty.	Description
1	013406-000	1	HARNESS, BAKE, ELEMENT, VDSC18
2	PE070739	1	BAKE ELEMENT HARNESS
3	046020-000	1	PROBE, MEAT, OVEN, IGRILL, SST, 3.5MM
4	046021-000	1	CORD, ADPT, M-M, 2.5TS, 2.5TS, SST

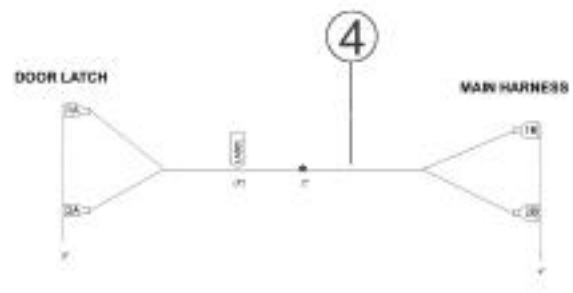
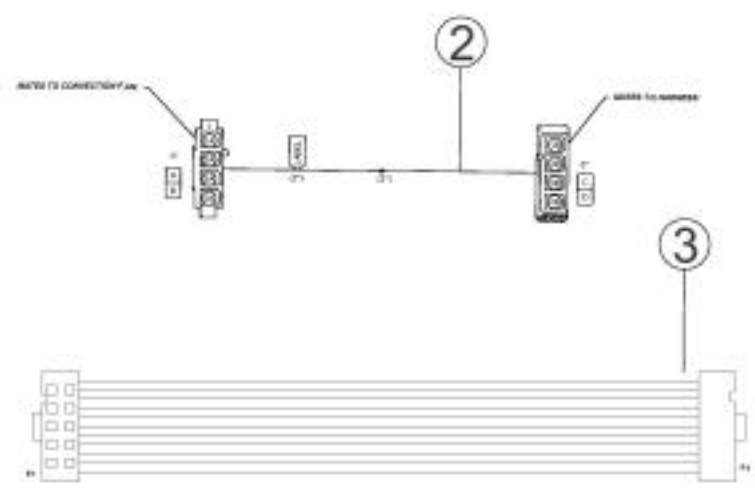
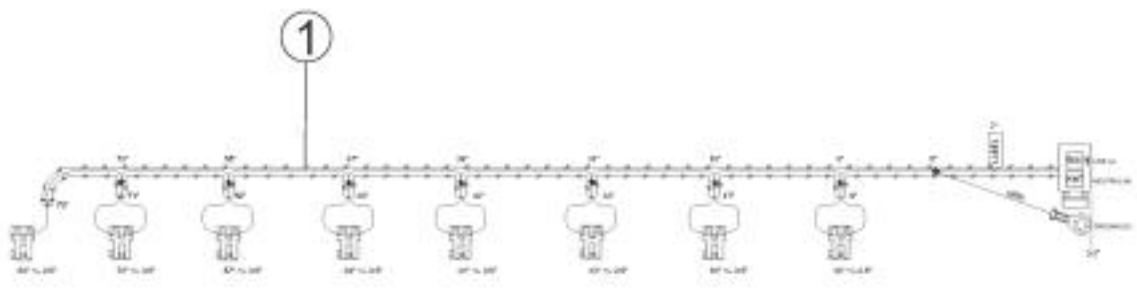


Ref #	Part Number	Qty.	Description
1	044906-000	1	HARN, VDR748, MAIN, RH
2	045080-000	1	HARN, VDR748, CP, RH

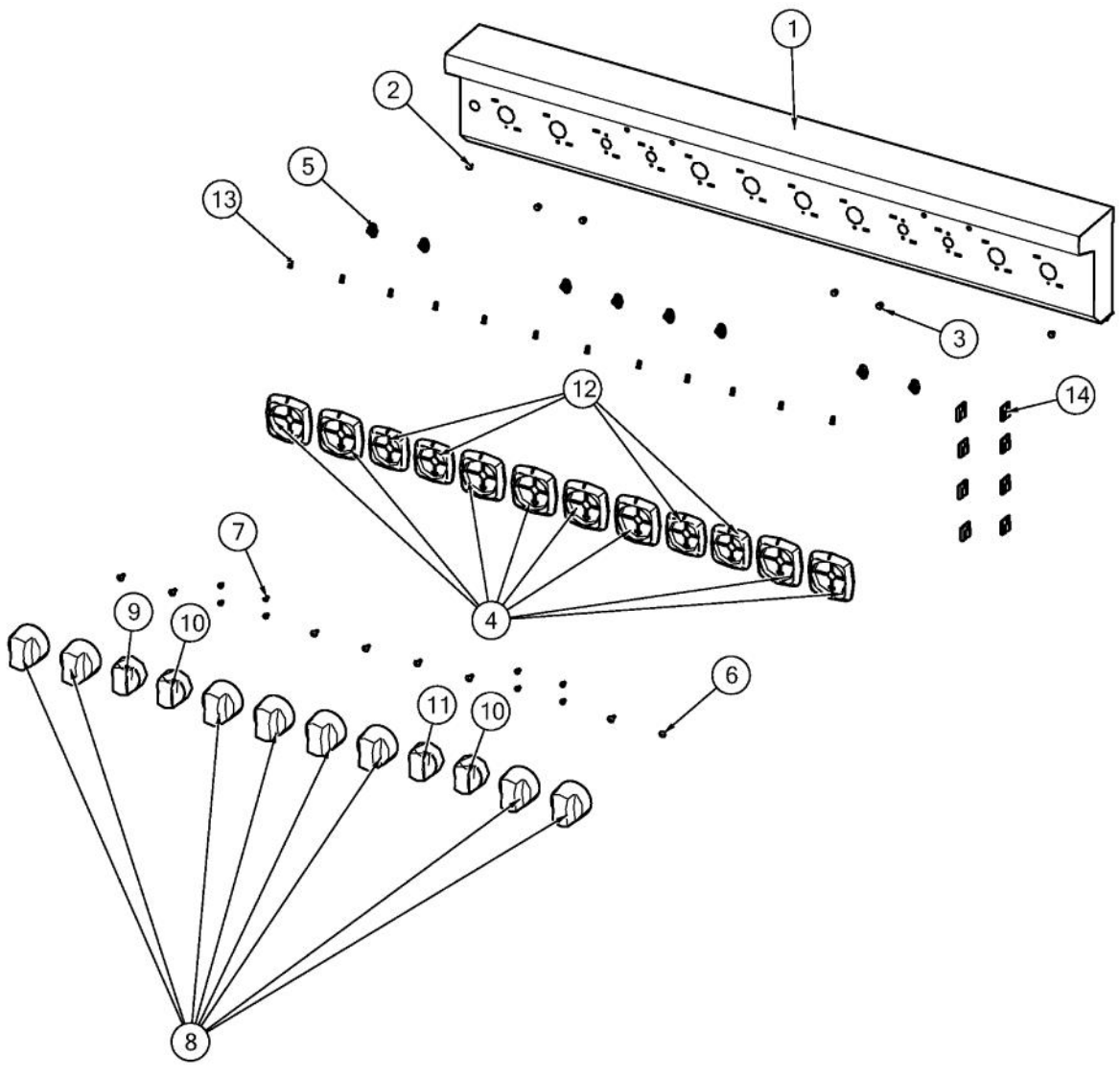


Ref #	Part Number	Qty.	Description
1	048270-000	1	HARN, VDR748, MAIN, LH
2	024869-000	2	RIBBON CABLE, RH
3	051373-000	1	HARN, JUMPER, IRIS

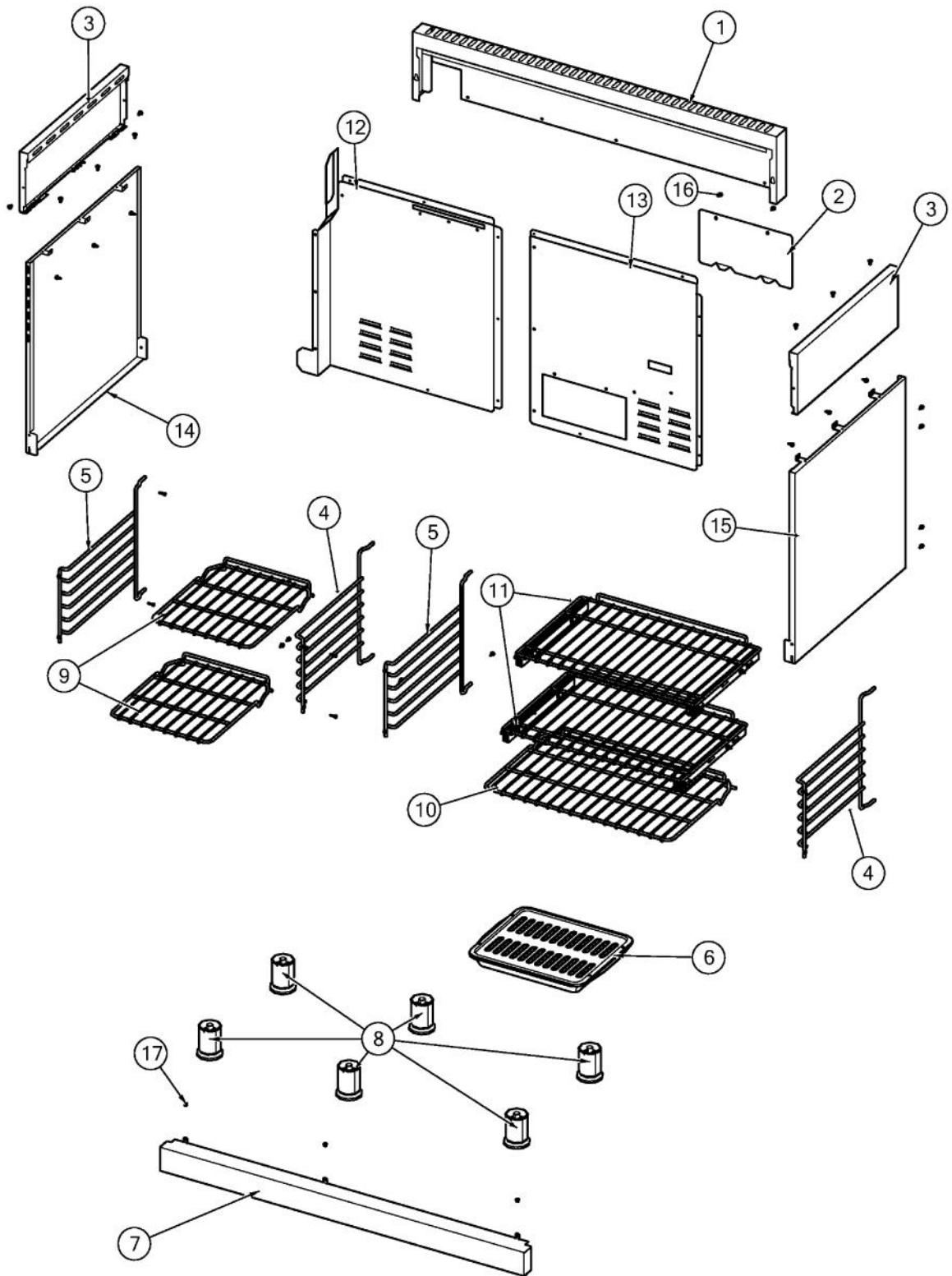




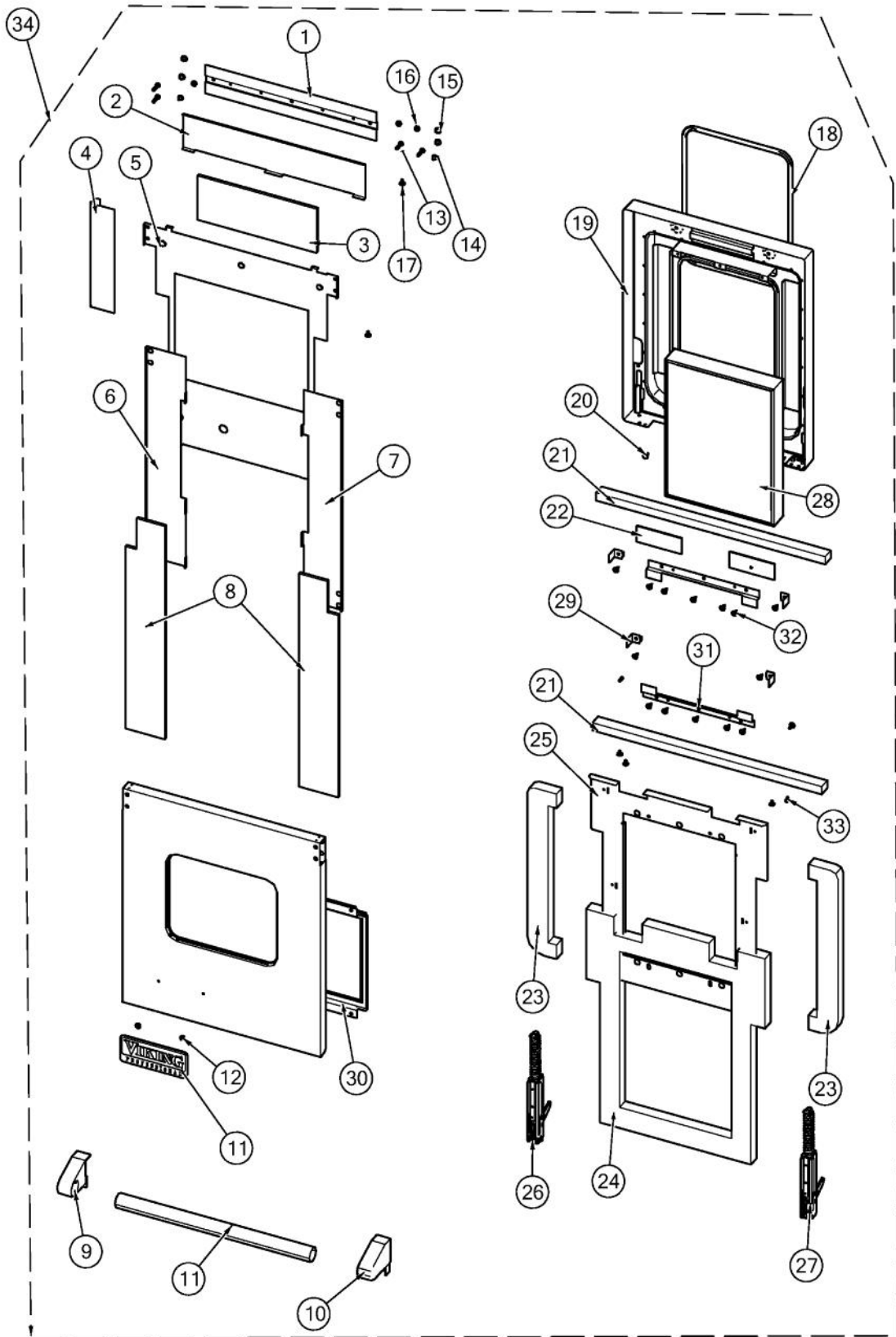
Ref #	Part Number	Qty.	Description
1	044194-000	1	HARNESS, IRIS, 8B, GANG CONNECTOR
2	050081-000	2	HARN, JUMPER, ADAPT CONV FAN
3	024870-000	1	RIBBON CABLE, LH
4	051425-000	1	HARN, JUMPER, DOOR LATCH, VDR748, RH



Ref #	Part Number	Qty.	Description
1	045401-2612	1	PNL, CTRL, VDR748, W/GRAPHICS ASSY
2	PD020032		SRW-8(A)X3/8PH.WFR HD 7/16DIAXNICL
3	027968-000	4	INDICATOR, LIGHT, BLUE
4	048309-000	8	BZL, KNOB
5	044512-000	8	BEARING, BEZEL, ASM
6	PD020046		NO.8 X 1/2 SCREWS
7	PD020269		NO.8 PAN HEAD SCREW
8	042558-000	8	KNOB, ASSY, BURNER
9	042771-000	1	KNOB, ASSY, SELECTOR, OVEN, LH, D/F
10	044588-000	2	KNOB, SELECTOR, OVEN, DUAL FUEL
11	044587-000	1	KNOB, THERMOSTAT, OVEN, DUAL FUEL
12	048326-000	4	BZL, KNOB
13	044937-000	12	LENS, COVER, LED, CLEAR
14	M0104106	8	CLIP-CORD VM0104106

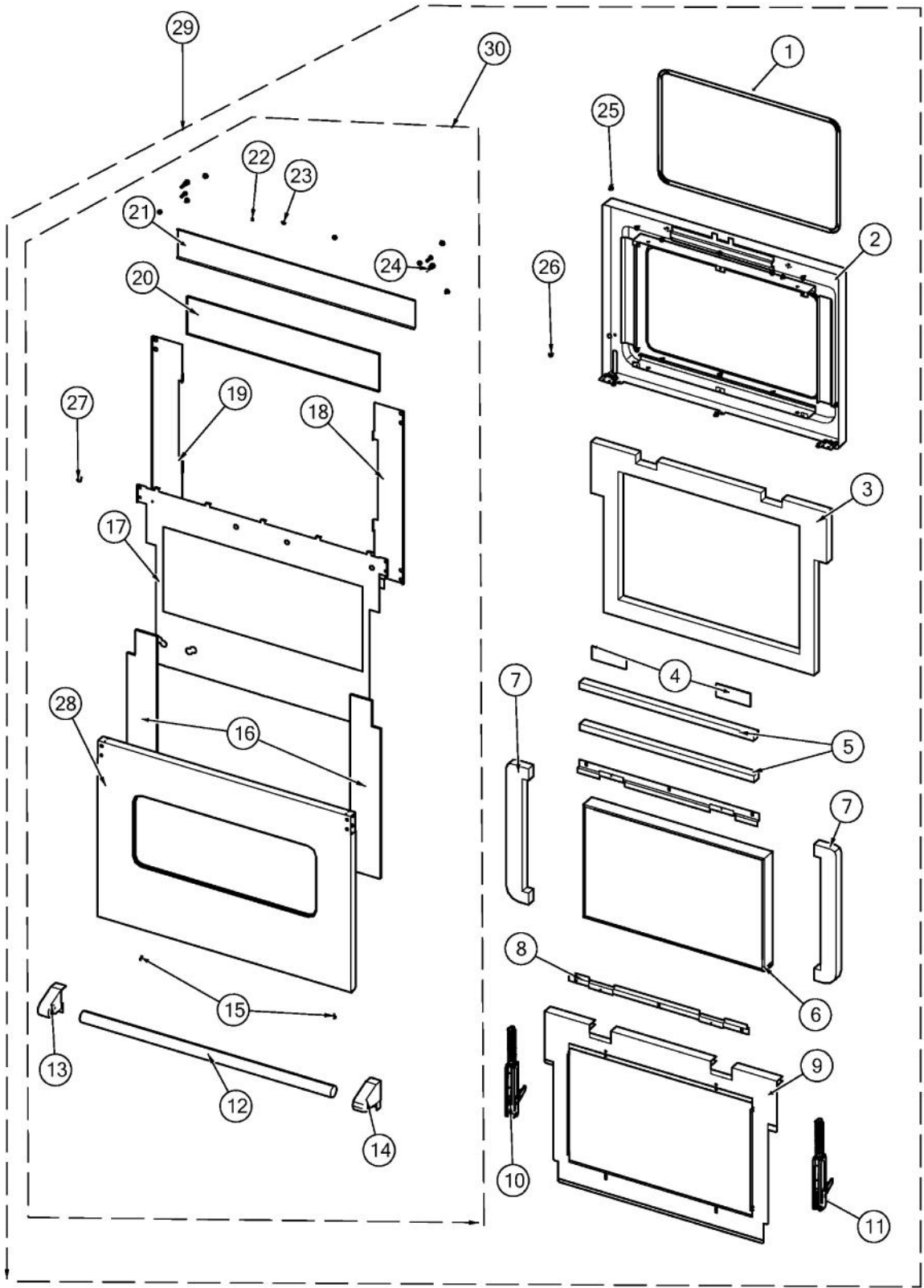


Ref #	Part Number	Qty.	Description
1	042797-000	1	TRIM, IS, VGR, 48?
2	047823-000	1	BACK, COVER ACCESS DOOR
3	042884-000	2	COVER, OS, RH/LH UPPER?
4	036216-402	2	RACK,PRO,ASM,RH, BLACK
5	036220-402	2	RACK,PRO,ASM,LH, BLACK
6	042253-000	1	PAN, BROILER, PORCELAIN ASM
7	047732-000	1	KICKPLATE, RNG
7	049738-024	1	KICKPLATE, RNG AR
7	049738-002	1	KICKPLATE, RNG BK
7	049738-008	1	KICKPLATE, RNG BU
7	049738-013	1	KICKPLATE, RNG CB
7	049738-051	1	KICKPLATE, RNG CN
7	049738-052	1	KICKPLATE, RNG DJ
7	049738-005	1	KICKPLATE, RNG GG
7	049738-022	1	KICKPLATE, RNG SG
7	049738-012	1	KICKPLATE, RNG VB
7	049738-006	1	KICKPLATE, RNG WH
7	049738-054	1	KICKPLATE, RNG WS
8	044178-000	6	RANGE, LEG, ADJUSTABLE
9	006379-000	2	OVEN, RACK, ASM, STANDARD, VDSC18
10	041046-000	1	RACK, DF, PRO, 30
11	024102-000	2	PULL OUT RACK, 30 TRUE GLIDE
12	047814-000	1	COVER, BACK, 18
13	048627-000	1	COVER, BACK, 30
14	047730-000	1	COVER, OS, LH SS
14	049552-024	1	COVER, OS, LH AR
14	049552-002	1	COVER, OS, LH BK
14	049552-008	1	COVER, OS, LH BU
14	049552-013	1	COVER, OS, LH CB
14	049552-051	1	COVER, OS, LH CN
14	049552-052	1	COVER, OS, LH DJ
14	049552-005	1	COVER, OS, LH GG
14	049552-022	1	COVER, OS, LH SG
14	049552-012	1	COVER, OS, LH VB
14	049552-006	1	COVER, OS, LH WH
14	049552-054	1	COVER, OS, LH WS
15	042375-000	1	COVER, OS, RH SS
15	049551-024	1	COVER, OS, RH AR
15	049551-002	1	COVER, OS, RH BK
15	049551-008	1	COVER, OS, RH BU
15	049551-013	1	COVER, OS, RH CB
15	049551-051	1	COVER, OS, RH CN
15	049551-052	1	COVER, OS, RH DJ
15	049551-005	1	COVER, OS, RH GG
15	049551-022	1	COVER, OS, RH SG
15	049551-012	1	COVER, OS, RH VB
15	049551-006	1	COVER, OS, RH WH
15	049551-054	1	COVER, OS, RH WS
16	003860-000		NO.10-18 X .500 FASTNR,SCR,HXWH,STL,ZPLT
17	PD020032		SRW-8(A)X3/8PH.WFR HD 7/16DIAXNICL



Ref #	Part Number	Qty.	Description
1	006225-000	1	BRACKET, DOOR, ASM, MT, VDSC 18
2	006219-000	1	DOOR SKIN HEAT SINK, 18
3	006220-000	1	INSULATION, DOOR, SKIN, TOP, VDSC18
4	011178-000	1	DOOR SKIN LH HEAT SINK, 18
5	006223-000	1	DOOR SKIN INSULATION RETAINER ASM, 18
6	009428-000	1	BRACKET, DOOR, RH, VDSC18, SKIN
7	009427-000	1	BRACKET, DOOR, LH, VDSC18, SKIN
8	006787-000	2	INSULATION, DOOR, SIDE, SUPERWOOL, .25, VDSC530
9	003011-000	1	DOOR HANDLE ENDCAP ASSY, LH (CHROME)
10	003012-000	1	DOOR HANDLE ENDCAP ASSY, RH (CHROME)
11	006221-000	1	18 DOOR HANDLE, SST
12	PD030006	2	CAPPED WASHER PAL NUT
13	002736-000	1	NO.10-32 PAN HEAD PHILLIPS MACHINE SCREW
14	PD020032	1	SRW-8(A)X3/8PH.WFR HD 7/16DIAXNICL
15	004907-000	1	STEEL FINISHING PLUG, NICKEL PLTD 25/64 HOLE
16	PD030010	1	NO.10-24 KEPS NUT
17	PD020073	1	SRW NO.10 X 24 X 3/8 WAFER HD TYPE23
18	000594-000	1	BLACK FIBERGLASS ROPE 3/8
19	049018-402	1	LINER, DOOR, WLD, ASSY 158 BK
20	PD020033	1	SRW-NO.10-24X1/2T(23)PH.WFR HD (NKL)
21	013547-000	2	BAKE ELEMENT INSULATION
22	013567-000	2	DOOR BRACKET INSULATION
23	013558-000	2	SIDE DOOR PLUG INSULATION
24	024494-000	1	INSULATION, DOOR LINER, 18
25	006209-000	1	DOOR LINER INSULATION RETAINER, 18
26	046549-000	1	HINGE, NUOVA STAR, LH, RED
27	046548-000	1	HINGE, NUOVA STAR, RH, RED
28	005300-000	1	GLASS, WINDOW PACK, 18
29	009426-000	3	STANDOFF, BRACKET, DOOR, LINER, VDSC18
30	006217-000	1	18 WINDOW HOLDER
31	006207-000	2	DOOR GLASS HOLDER BRACKET, 18 DOOR
32	004526-000	1	FASTENER,SCR,TPGS,TRH,PHLP,NO.10-1/2
33	PD020063	1	SCREW-NO.8(A) X 3/8PH WFR HD/BK OXID
34	049020-000	1	DOOR ASSEMBLY, SS 18
34	051472-002	1	DOOR ASSEMBLY, BK 18
34	051472-024	1	DOOR ASSEMBLY, AR 18
34	051472-008	1	DOOR ASSEMBLY, BU 18
34	051472-013	1	DOOR ASSEMBLY, CB 18
34	051472-005	1	DOOR ASSEMBLY, GG 18
34	051472-006	1	DOOR ASSEMBLY, WH 18





Ref #	Part Number	Qty.	Description
1	000594-000	1	BLACK FIBERGLASS ROPE 3/8
2	049013-402	1	LINER, DOOR, WLD, ASSY 30 BK
3	017752-000	1	INSULATION, DOOR LINER
4	013567-000	2	DOOR BRACKET INSULATION
5	013547-000	2	BAKE ELEMENT INSULATION
6	PE060094	1	30 WINDOW PACK
7	013558-000	2	SIDE DOOR PLUG INSULATION
8	004153-000	1	DOOR GLASS HOLDER BRACKET
9	004152-000	1	DOOR LINER INSULATION RETAINER, 30
10	046547-000	1	HINGE, NUOVA STAR, LH, WHITE
11	046546-000	1	HINGE, NUOVA STAR, RH, WHITE
12	002728-000	1	DOOR HANDLE - SS, 1.25 OD
13	003011-000	1	DOOR HANDLE ENDCAP ASSY, LH (CHROME)
14	003012-000	1	DOOR HANDLE ENDCAP ASSY, RH (CHROME)
15	PD020032		SRW-8(A)X3/8PH.WFR HD 7/16DIAXNICL
16	006787-000	2	INSULATION,DOOR,SIDE,SUPERWOOL,,25,VDSC530
17	004176-000	1	DOOR SKIN INSULATION RETAINER ASSY
18	009427-000	1	BRACKET, DOOR, LH, VDSC18, SKIN
19	009428-000	1	BRACKET, DOOR, RH, VDSC18, SKIN
20	006788-000	1	INSULATION,DOOR,TOP,SUPERWOOL,,25,VDSC530
21	002724-000	1	DOOR SKIN HEAT SINK, 30
22	PD020073		SRW NO.10 X 24 X 3/8 WAFER HD TYPE23
23	PD030010	1	NO.10-24 KEPS NUT
24	002736-000	1	NO.10-32 PAN HEAD PHILLIPS MACHINE SCREW
25	PD020063	1	SCREW-NO.8(A) X 3/8PH WFR HD/BK OXID
26	004526-000	1	FASTENER,SCR,TPGS,TRH,PHLP,NO.10-1/2
27	PD020033	1	SRW-NO.10-24X1/2T(23)PH.WFR HD (NKL)
28	049011-000	1	DOOR, OS, KIT, 30 ASM
29	049015-000	1	DOOR ASSEMBLY, SS 30
29	051471-002	1	DOOR ASSEMBLY, BK 30
29	051471-024	1	DOOR ASSEMBLY, AR 30
29	051471-008	1	DOOR ASSEMBLY, BU 30
29	051471-013	1	DOOR ASSEMBLY, CB 30
29	051471-005	1	DOOR ASSEMBLY, GG 30
29	051471-006	1	DOOR ASSEMBLY, WH 30
30	049012-000	1	DOOR, OS, KIT, 30 ASM