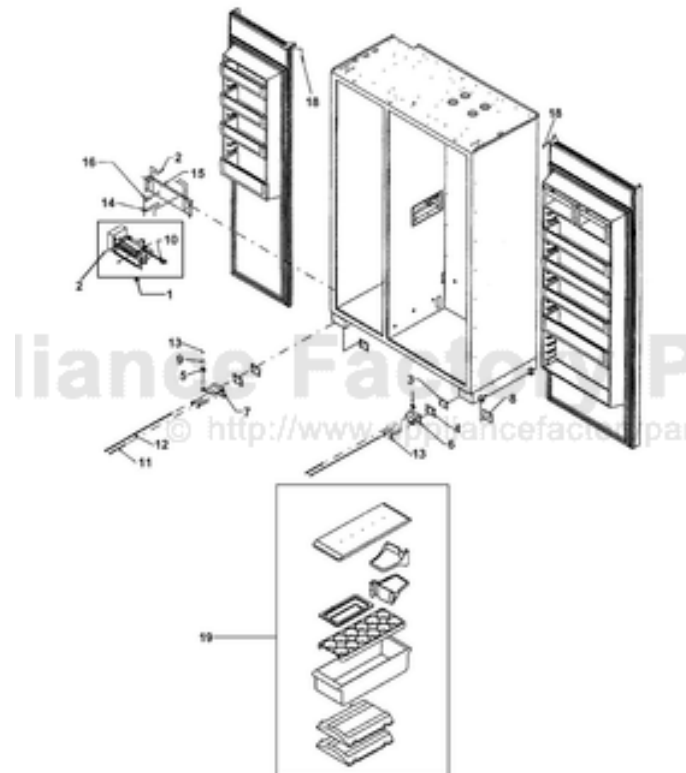


This Owner's Manual is provided and hosted by [Appliance Factory Parts](http://www.ApplianceFactoryParts.com).



VIKING VCSB481_2 Owner's Manual

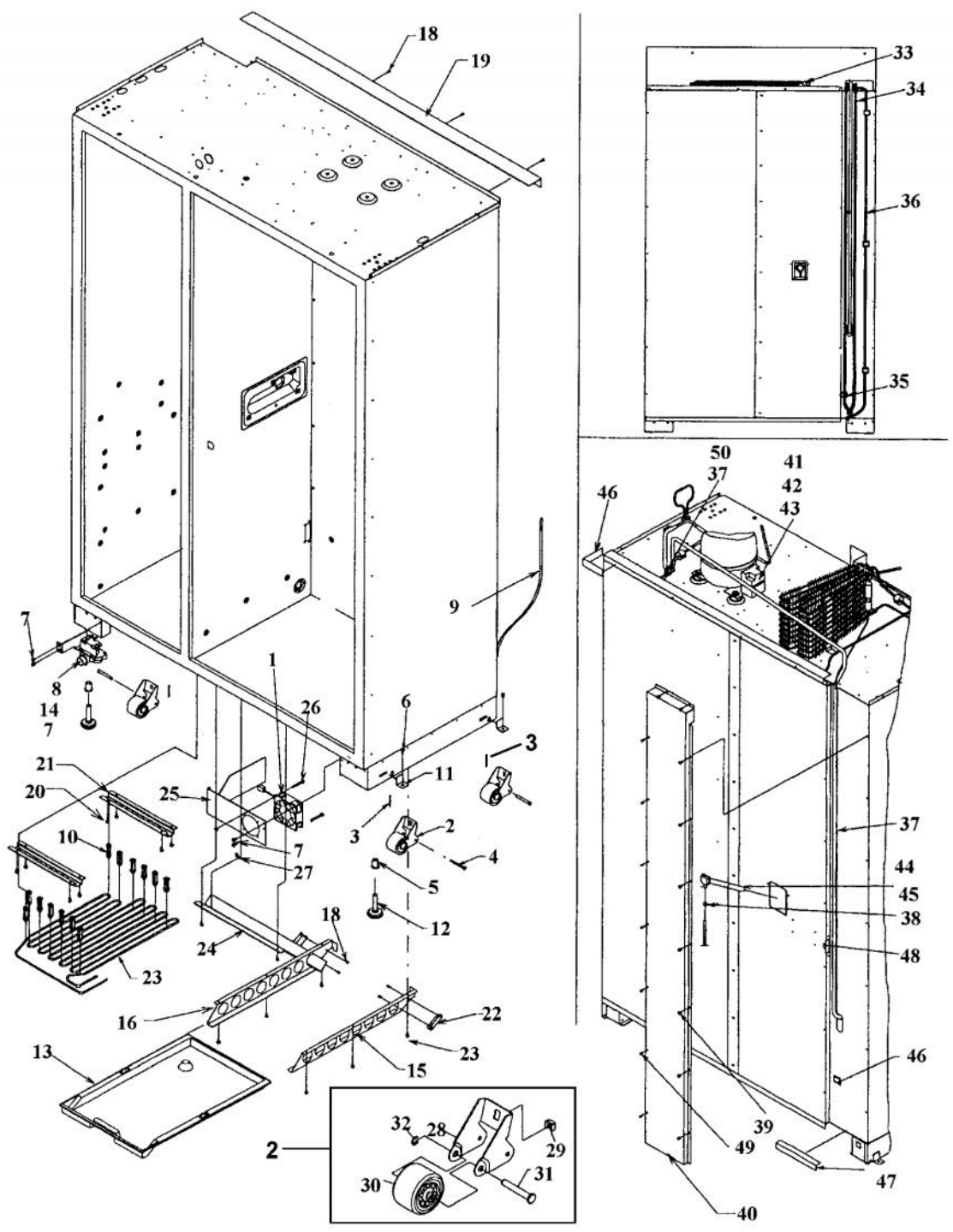
[Shop genuine replacement parts for VIKING
VCSB481_2](#)



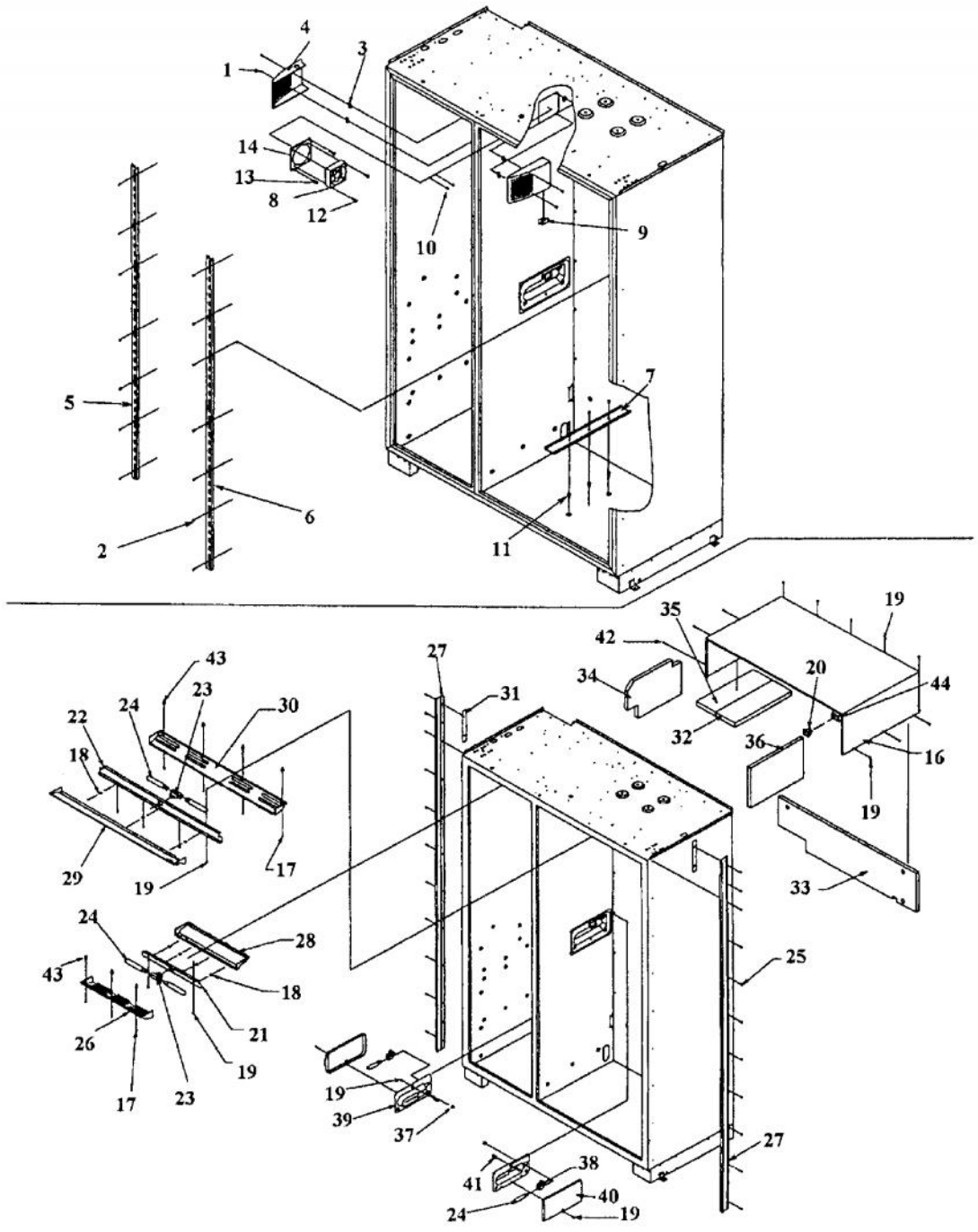
[Find Your VIKING Refrigerator Parts - Select From 341 Models](#)

----- Manual continues below -----

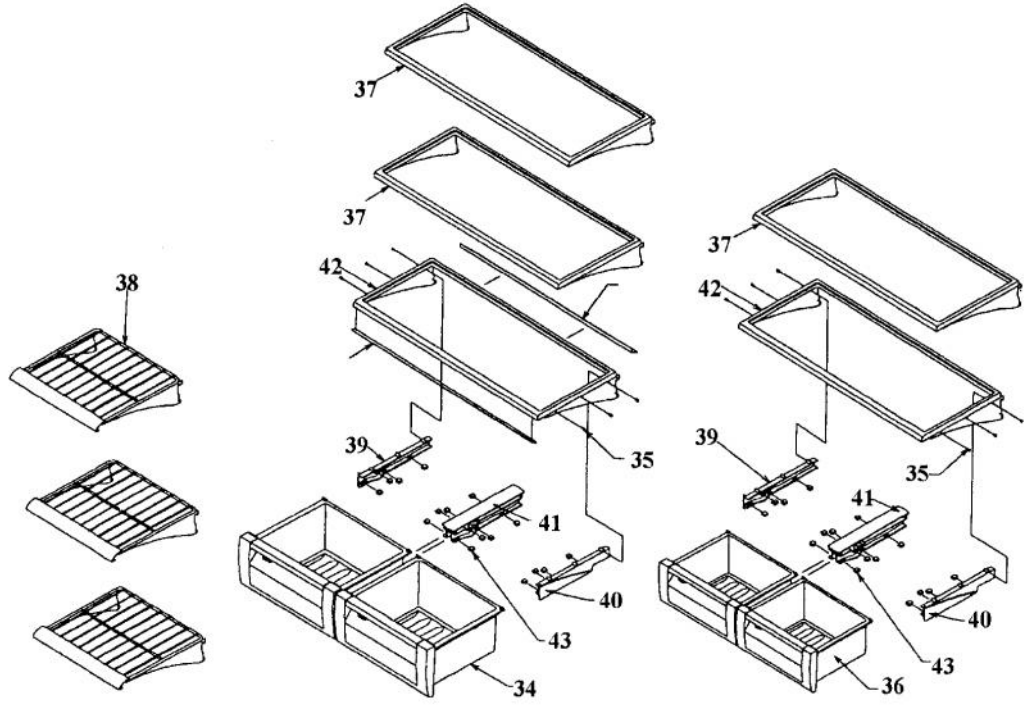
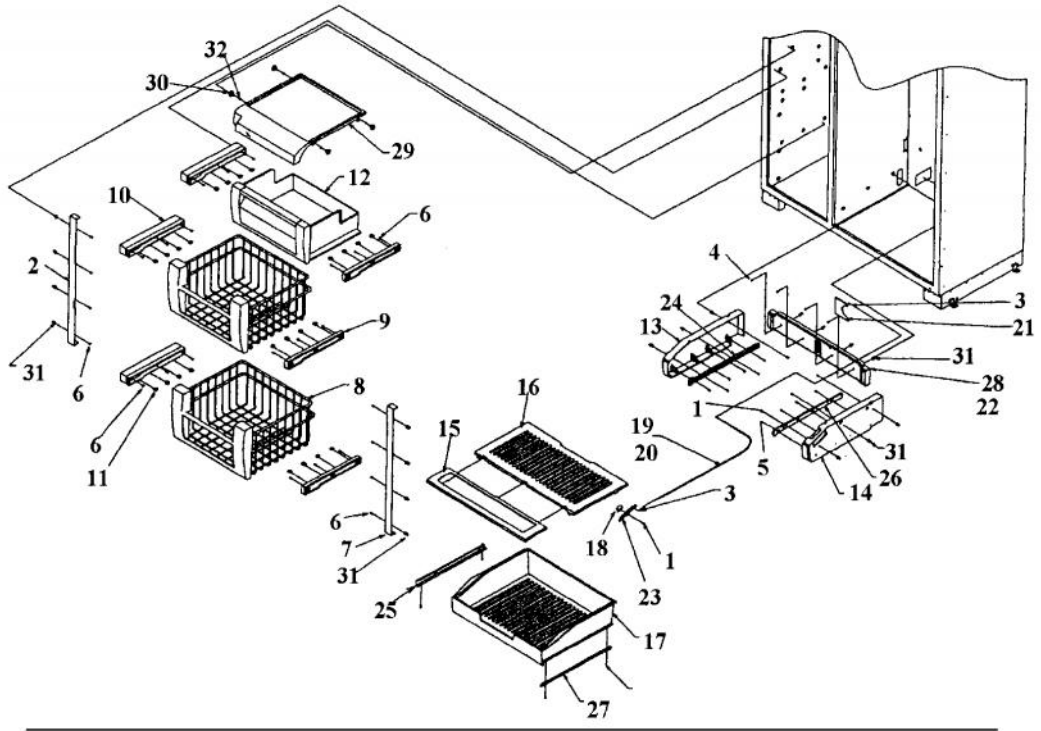
Ref #	Part Number	Qty.	Description
1	G50911858		ICE MAKER ASM, SXS ND, AF
2	M0238616		SCREW-SM
3	K2096449		SHIM-LOWER HINGE 12198501
4	K2096450		SHIM-LOWER HINGE 12198502
5	PC920071		DOOR CLOSURE
6	PC920060		LOWER HINGE ASSY - RH (S X S)
7	PC920061		LOWER HINGE LH VCSB482
8	12337901		HINGE TAP PLATE
9	M0272803		WASHER-LOCK
10	M0321202		TIE-ELEC
11	M0204339		SCREW-ADJ ROLLER VM0204339
12	10093305		SCREW-ADJ ROLLER V10093305
13	M0202528		SCREW-MACH NO.
14	A3127415		EXT-FILL TUBE
15	C9096463WH		ND IM SUPPORT -
16	K2096464		BKT-ND IM 12265501
17	M0238734		SCREW-TF
18	M0220928		SCREW, SHOULDER
NI	10526701		CLAMP-WIRE V10526701
NI	G5096513		48 TOE GRILLE PACKED ASSY
NI	M0270510		WASHER
19	PM910332		ACCESORY ASSY



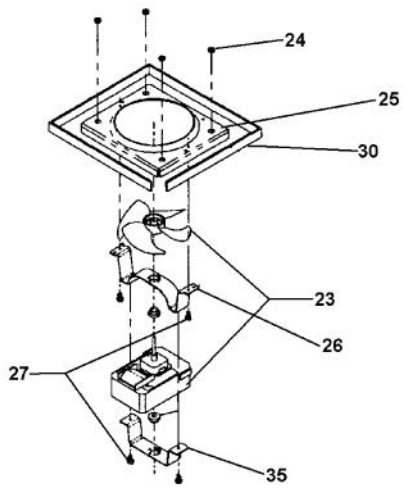
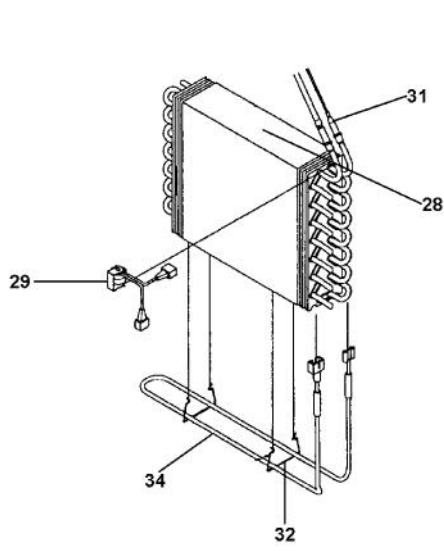
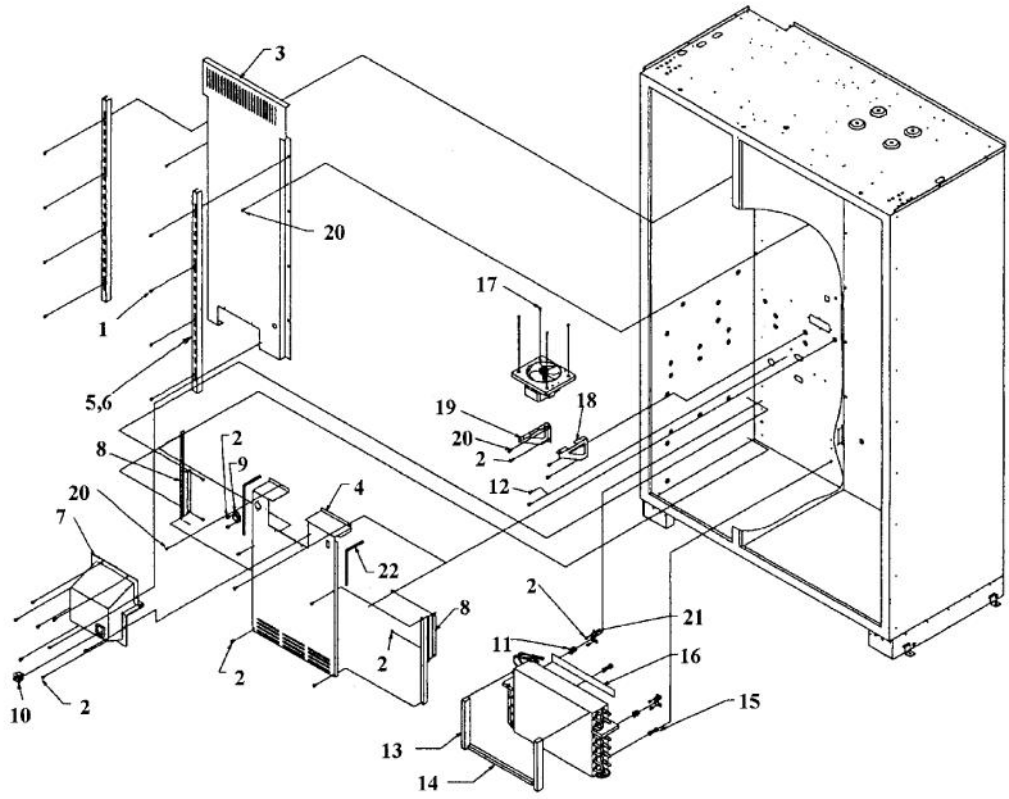
Ref #	Part Number	Qty.	Description
1	V12075003		MOTOR-REF FAN
2	G5096490		SUB TO G5096596
3	M1200004		PIN-COTTER
4	M1200203		PIN-CLEVIS
5	M0295308		NUT-RIVET VM0295308
6	M0267153		SCREW-MACH VM0267153
7	M0220417		SCREW-TC
8	12070801		WATER VALVE
NI	10244906S		WATER VALVE COUPLING
9	B5705313		TUBE-PLASTIC NO.
10	12071201		CLIP-DRAIN LOOP
11	K2096427		BRKT-SHIPPING 12071102
12	12150601		FOOT-LEVELING V12150601
13	12071301		PAN-DRAIN (NON-ANTIMICROBIAL)
14	M0753001		NUT-SLEEVE
15	K2096459		RAIL-PAN 12234701
16	K2096460		RAIL-PAN 12234702
17	A1055101		SPRING-ANTI KINK
18	A4539601		SUB TO PC040010 - RIVET-POP VA4539601
19	K2096442		SHIELD-POWER CORD 12180503
20	M0224416		SCREW-SM
21	K2096455		BRKT-SERP. CLIP 12215001
22	K2096439		ANGLE-DRAIN PAN 12143801
23	12197501		SERPENTINE, DRAIN PAN
24	L2096474		TROUGH-DRAIN REP V12349801
25	12349201		SUB TO K2096473 - BRKT-DC FAN
26	5149-P		SCREW, MACHINE
27	VM0280801		NUT, HEX
28	K2196420		BRACKET, ROLLER
29	M0286708		NUT-SPEED
30	12034201		ROLLER-CABINET
31	M1252901		PIN, PIVOT
32	M0273801		RING-RETAINING
33	10916507		TUBE-PROCESS GRN
34	10851312		INSULATION TUBING 70.000
35	M0104106		CLIP-CORD VM0104106
36	12527801		HARNESS-FAN MOTOR
37	M0238616		SCREW-SM
38	12115101		CLAMP-TUBE V12115101
39	M0238616		SCREW-SM
40	K2096444		COVER-HT EXCHANGE 12187701
41	10377015		OVERLOAD-4TM V10377015
42	10097202		RELAY-PTC V10097202
43	10757301		COVER, TERMINAL
44	12023401		FILL TUBE ASSEMBLY
45	A3127415		EXT-FILL TUBE
46	M0104106		CLIP-CORD VM0104106
47	A3189370		GASKET-FOAM VA3189370
48	A3189371		GASKET, FOAM
49	A4539601		SUB TO PC040010 - RIVET-POP VA4539601



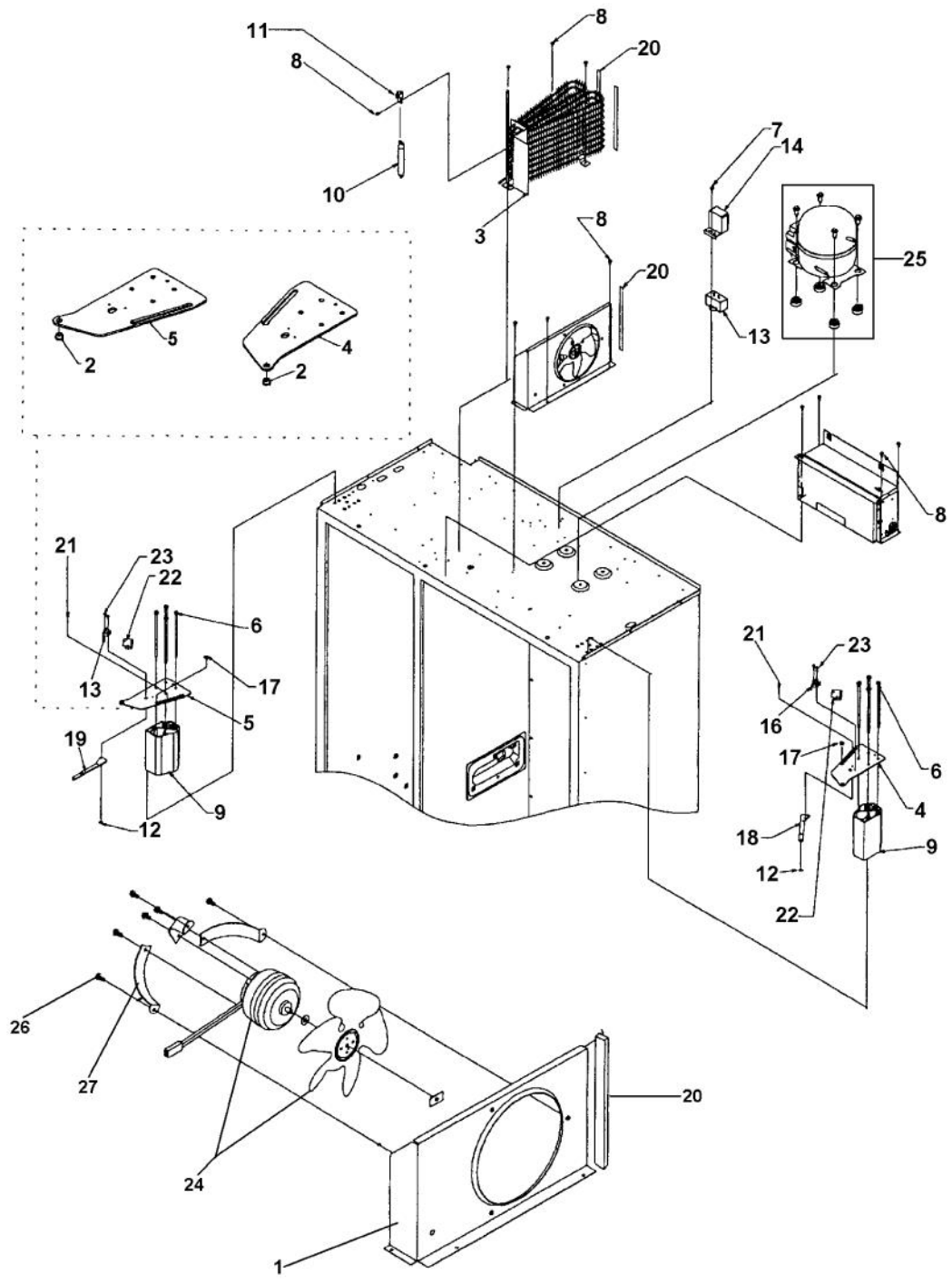
Ref #	Part Number	Qty.	Description
1	M0221913		SCREW-SM
2	M0238535		SCREW-SM
3	M0288120		NUT-SPEED, VM0288120
4	V12203701		SUB TO PK930085 - COVER-FAN
5	12257901		LADDER-R SIDE REF
6	12230901		LADDER-R SIDE REF
7	12118901		TRACK-DELI DRAWER
8	12075003		MOTOR-REF FAN
9	C8983701		THERMISTOR
10	M0232903		SCREW-SE
11	M0581001		GROMMET-SCREW
12	M0218136		SCREW-SM
13	M0218137		SCREW-SM
14	K2096475		PLATE-FAN MNT 12404701
15	12102501		RET-HARNESS
NI	M0321202		TIE-ELEC
16	G3096496		MC COVER WELD 12213401
17	M0238846		SCREW-SHLDR
18	M0108201		CLIP-S
19	M0238616		SCREW-SM
20	12074801		SWITCH, POWER
21	L2096422		BRKT-FZ LIGHT 12055701
22	L2096443		BRKT-REF LIGHT 12184301
23	12096901		SOCKET-LIGHT
24	A3079001		LAMP - 40W
25	M0210417		SCREW, SS SM
26	12034901		LENS, FZ LIGHT
27	B2096406		RETAINER CABINET - SS
27	C2096406		SUB TO C9396406BR
28	12074501		COVER-FZ LIGHT
29	12184401		COVER, REFRIGERATOR LIGHT
30	12184501		LENS, REFRIGERATOR LIGHT
31	12135402		SHIM-CAB TRIM
32	12074701		INSUL-MC CVR V12074701
33	12184901		INSUL-BACK MC CVR
34	12074601		INSUL-L MC CVR V12074601
35	12074704		INSUL-MC CVR
36	12074702		INSUL-R MC CVR V12074702
37	B5733302		CLIP-GROUND
38	10281601		SOCKET-SGL LIGHT
39	10270203		HOUSING-LIGHT V10270203
40	10270101		COVER, LIGHT
41	M0580007		GROMMET-SCREW
42	A4539601		SUB TO PC040010 - RIVET-POP VA4539601
43	M0581001		GROMMET-SCREW
44	10942703		PWR SW BRACKET- E CT
NI	013112-000		NOISE REDUCTION FAN KIT



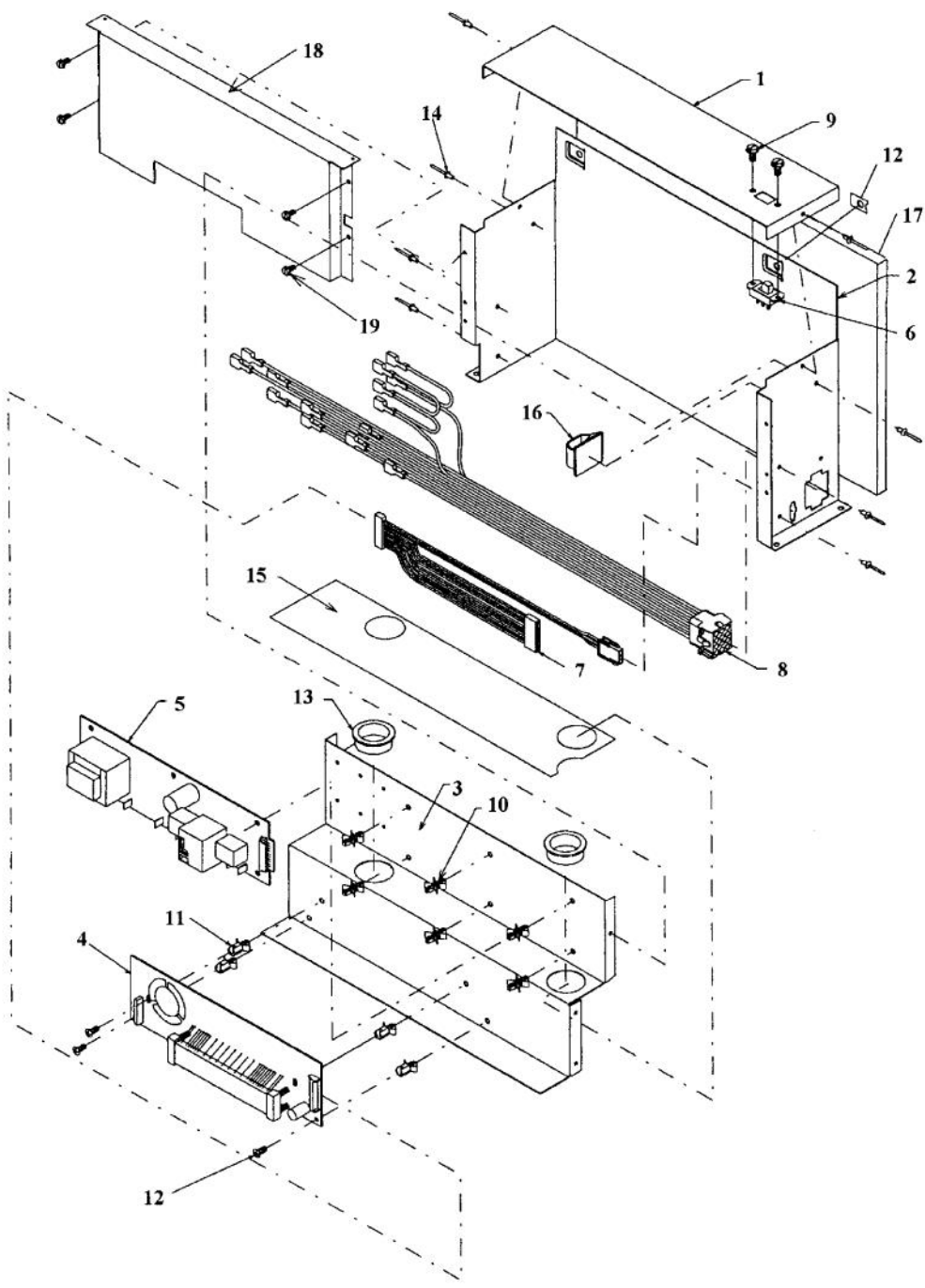
Ref #	Part Number	Qty.	Description
1	M0211018		SCREW-SM
2	12211201		CLOSEOUT-FZ SIDE NO.
3	M0213105		SCREW-SM
4	M0213531		SCREW-SM
5	M0213503		SCREW-SM
6	M0238616		SCREW-SM
7	12304301		CLOSEOUT-FZ SIDE NO.
8	12210901		FZ BASKET ASSY NO.
9	V12336301		GLIDE, RIGHT FREEZER
10	V12336201		GLIDE, LEFT FREEZER
11	12064701		PAD-GLIDE V12064701
12	12200501		ICE PAN ASSEMBLY
13	V12202601		SUPPORT-L DRAWER NO.
14	V12073003		SUPPORT-R DRAWER NO.
15	V12223208		SUB TO - 000485-000 DELI LID ASSY 48/48D
16	12223304		DELI TOP ASSEMBLY
17	V12073304		DRAWER-DELI 48/48DISP
18	V12073401		KNOB-DELI CONT
19	12073501		TUBE-PLASTIC
20	12073506		TUBE-PLASTIC
21	V12073601		SLIDE-DELI CONT
22	V12231201		COVER-AIR CONTROL
23	V12070501		GLIDE-DELI KNOB NO.
24	12073901		GLIDE-L SUPPORT V12073901
25	12073902		GLIDE-L DRAWER V12073902 -
26	12073903		GLIDE-R SUPPORT V12073903
27	12073904		GLIDE-R DRAWER V12073904
28	12196201		GSKT-CONTROL COVER
29	12211001		SHELF, COVER
30	12258501		SUPPORT-SHELF
31	M0581001		GROMMET-SCREW
32	M0211021		SCREW-SM
33	M0237918		SCREW-HI LO
34	V12144302		CRISPER PAN ASSY 48/48 DISP
35	M0210417		SCREW, SS SM
36	V12183901		DAIRY DRAWER ASSY 48/48D
37	12144004		SHELF, REFRIGERATOR
38	12201901		SHELF-WIRE FZ
39	V12064501		GLIDE, LH CRISPER
40	V12064502		GLIDE, RH CRISPER
41	V12064601		GLIDE-CTR CRISPER NO.
42	12144003		SHELF, CRISPER
43	12064701		PAD-GLIDE V12064701



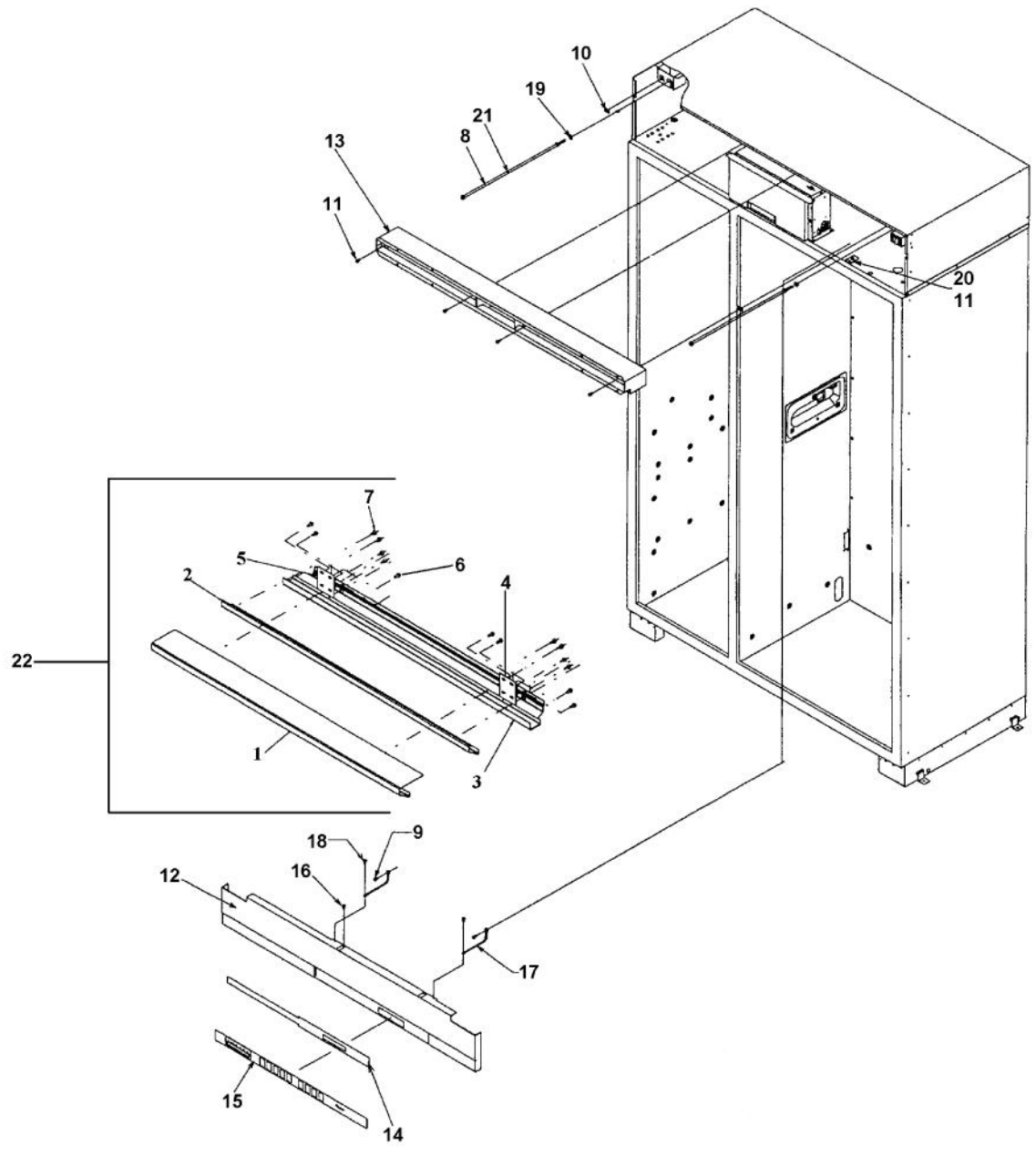
Ref #	Part Number	Qty.	Description
1	M0232903		SCREW-SE
2	M0238616		SCREW-SM
3	C2096451WH		UPPER EVAPORATOR COVER, E CT
4	L2096452		COVER - LOWER EVAP 48SXS
5	12231701		LADDER-FZ L/R SIDE
6	12233801		GASKET-FZ LADDER
7	V12198401		COVER-CTR EVAP
8	K2096461		BRKT-EVAP COVER 12234801
9	C8983701		THERMISTOR
10	C3680309		FAN SWITCH (E3101AA)
11	10623003		CLIP-EVAP
12	M0232903		SCREW-SE
13	A3030361		GASKET, RED
14	A3030303		GASKET
15	10527401		CLIP-EVAP
16	A3189370		GASKET-FOAM VA3189370
17	M0238859		SCREW-SHLDR
18	K2096457		BRKT-R-EVAP FAN 12223101
19	K2096458		BRKT-L-EVAP-FAN 12223102
20	M0232929		SCREW-SE
21	K2096456		BRKT-EVAP CLIP 12215101
22	A3189368		GASKET-FOAM VA3189368
23	G5096970		SUB TO G5098660 EVAPORATOR FAN ASSEMBLY
24	12234001		GROMMET-VIBRATION
25	12198301		SHROUD, EVAPORATOR FAN
26	10771801		BRKT-MTR/SHROUD
27	M0224416		SCREW-SM
28	12197201		EVAPORATOR
29	10442407		THERMOSTAT 10442411
30	A3030302		GASKET, GRN
31	12333601		HEAT EX ASSEMBLY
32	10428101		CLIP-EVAP HTR V10428101
33	A1017202		GROMMET-FAN VA1017202
34	10428411		HEATER-EVAP
35	10771701		BRKT-EVAP FAN



Ref #	Part Number	Qty.	Description
1	ORDER ENTIRE HIN...		BUSHING, HINGE
2	ORDER ENTIRE HIN...		BUSHING, HINGE
3	G5096495		GASKET, REF DOOR
4	PC920064		RIGHT TOP HINGE ASSEMBLY
5	PC920035		L TOP HINGE ASSY RE V12067805
6	M0206313		SCREW-MACH
7	M0238921		SCREW-SM
8	M0238616		SCREW-SM
9	12067901		EXTRSN-TOP HINGE V12067901
10	10743201		DRIER, HI SIDE
11	10547001		CLIP-DRIER V10547001
12	40370P01		NYLON FLAT WASHER V40370P01
13	C8931608		CAPACITOR
14	10266402		SHIELD-CAPACITOR GRN
15	12074905		SWITCH, LIGHT
16	12074904		SWITCH, LIGHT
17	12348701		BUMPER-DOOR STOP V12348701
18	PC920068		ARM DOOR STOP LH
19	PC920066		ARM, DOOR STOP, RH
20	A3189370		GASKET-FOAM VA3189370
21	M0220942		SCREW-SHLDR
22	12140701		COVER-SWITCH V12140701
23	M0234005		SCREW-TF
24	G5096494		COND. FAN ASSY
25	038630-000		COMPRESSOR REPLACEMENT KIT
26	M0223816		SCREW-TR
27	10582501		BRKT-COND MTR V10582501
28	K2196428		SHROUD, COND FAN
NI	M0104106		CLIP-CORD VM0104106
NI	M0232903		SCREW-SE
NI	M0211018		SCREW-SM
NI	M0234030		SCREW-TR

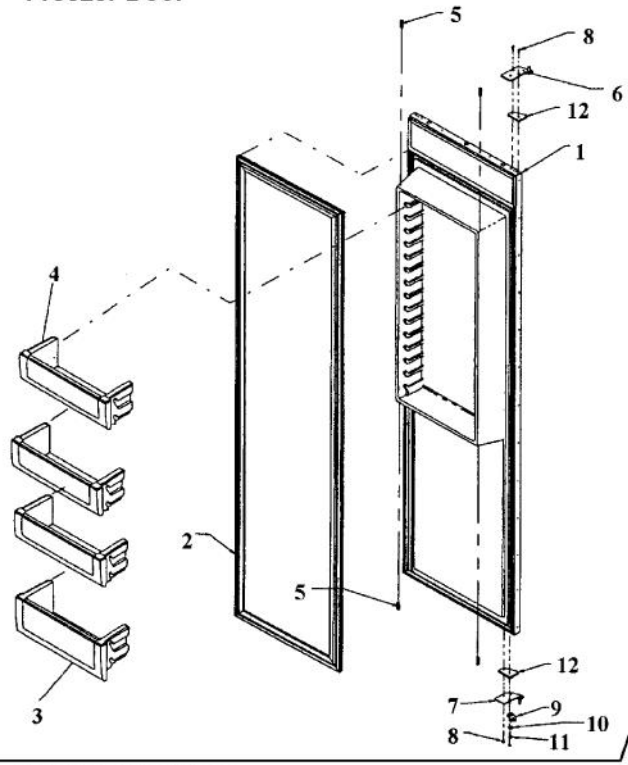


Ref #	Part Number	Qty.	Description
1	K2096429		SUB TO K2098657 - TOP-CONT BOX 12090801
2	K2096432		BOX-CONT 12091101
3	K2096430		BRKT-PC 12090901
4	G50911836		HIGH VOLTAGE BOARD (BEFORE 01/22/05)
5	G50911836		HIGH VOLTAGE BOARD (BEFORE 01/22/05)
6	10544502		SWITCH-SLIDE GRN
7	PE970464		HARNESS LOW VOLT
8	PE970609		ONLY USE IF KIT HAS BEEN INSTALLED HARNESS CONTROL BOARD ONLY USE IF KIT HAS BEEN INSTALLED
9	M0223816		SCREW-TR
10	M0585504		SUPPORT
11	M0585506		SUPPORT
12	M0217204		SCREW, SM
13	A4554817		BUSHING-SNAP VA4554817
14	A4539601		SUB TO PC040010 - RIVET-POP VA4539601
15	12117201		FILM-PROTECTIVE
16	M0104106		CLIP-CORD VM0104106
17	12074703		INSUL-CONT BOX V12074703
18	K2096431		FRONT-CONT PANEL 12091001
19	M0238616		SCREW-SM
20	M0288120		NUT-SPEED, VM0288120

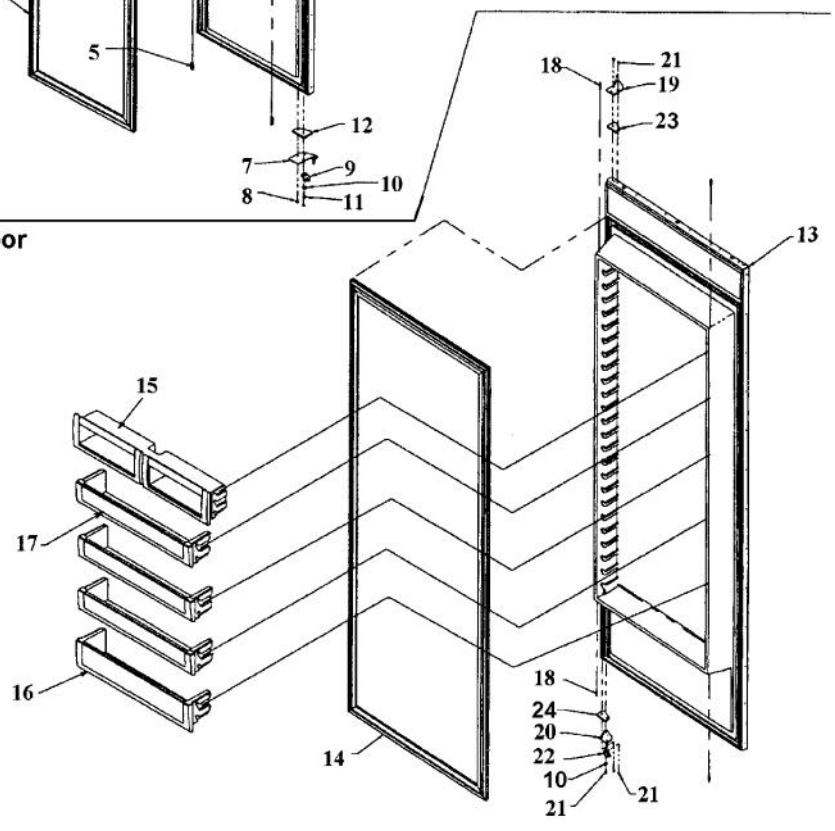


Ref #	Part Number	Qty.	Description
1	B2096952		LOUVER-TOP 48 PRO
2	B2096953		LOUVER-MID 48 PRO
3	B2096954		LOUVER-BOT 48 PRO
4	B2096961		BRACKET-LOUVER
5	B2096962		BRACKET-LOUVER SUP
6	M0220417		SCREW-TC
7	A4539601		SUB TO PC040010 - RIVET-POP VA4539601
8	M0223603		SCREW-LAG
9	M0238846		SCREW-SHLDR
10	M0288120		NUT-SPEED, VM0288120
11	M0238616		SCREW-SM
12	12210301		COVER, CONTROL PANEL
13	G9096487BK		AIR DUCT WELD ASSY
14	12235201		SWITCH-KEYBOARD
15	12201604		OVERLAY, KEYBOARD
16	M0224128		SCREW-SM
17	12064001		SUPP-CONT PANEL
18	A4539601		SUB TO PC040010 - RIVET-POP VA4539601
19	M0270510		WASHER
20	12414701		BRKT-CONT COVER
21	12349301		BEARING-SLEEVE V12349301
22	G3296946		GRILLE ASSY - 48 PRO RE G3296498
NI	B2096965		ENDCAP PRO LH HINGE
NI	B2096966		ENDCAP PRO RH HINGE

Freezer Door

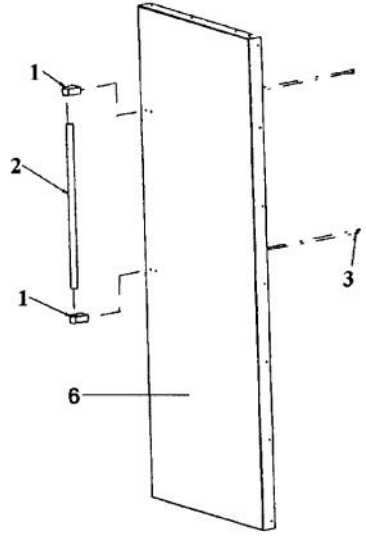


Refrigerator Door

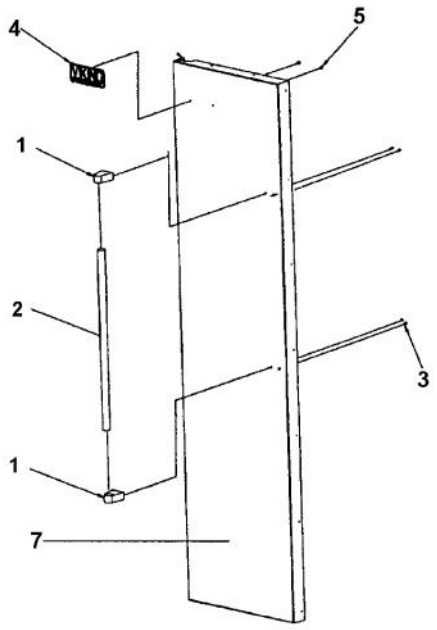


Ref #	Part Number	Qty.	Description
1	12116303		CONV FREEZER FOAM DOOR ASSY
2	10933004		GASKET FREEZER DOOR
3	12192901		FZ DR SHELF ASSY NO.
4	12188001		DOOR SHELF ASSY
5	12128001		PLUG-INNER DOOR
6	G50911809		PIVOT PLATE SVC. KIT (BM-RH)
7	12119504		HINGE, TAP LEFT LW
8	M0226233		SUB TO PD920174 - 10 X 7/8 PHILLIPS SMA TRI LOBE SA
9	PC920071		DOOR CLOSURE
10	M0272803		WASHER-LOCK
11	M0202528		SCREW-MACH NO.
12	12530201		SPACER, HINGE
13	12116203		REFRIGERATOR DOOR FOAM ASSEMBLY
14	10933003		GASKET, REFRIGERATOR DOOR
15	V12203602		DAIRY MODULE ASM
16	V12192902		REF DR SHELF ASSY NO.
17	12188002		DOOR SHELF ASSEMBLY
18	12128001		PLUG-INNER DOOR
19	G50911810		PIVOT PLATE SVC. KIT (BM-LH)
20	J5096506		SUB TO PC920050
21	M0226233		SUB TO PD920174 - 10 X 7/8 PHILLIPS SMA TRI LOBE SA
22	PC920071		DOOR CLOSURE
23	12530201		SPACER, HINGE
24	M0202528		SCREW-MACH NO.

Refrigerator Skin



Freezer Skin



Ref #	Part Number	Qty.	Description
1	PE030001		BRACKET, DOOR, HANDLE
1	PE030001PVD		END CAP DOOR HANDLE XBR
2	PE930101		VCSB482 HANDLE -(12466403)
2	PE030032		DOOR HANDLE XBRX (VGSO166) D
3	M0204303		SCREW-MACH
4	PE010030		LOGO, 6, PRO, BK
4	PE010068		LOGO, 6, PRO, BK/BR
4	PE010031		LOGO 6 (VGRC) XBK/WHX
4	PE010076		LOGO 6 (VGRC) XBR/WHX
5	M0118905		CLIP, PUSH ON
6	SEE MATRIX		DOOR SKIN
7	SEE MATRIX		DOOR SKIN
NI	10921223		BLOCK, EPS
NI	10921224		STYROFOAM BLOCK, REF. DOOR (QTY. 2)

REFRIGERATOR/FREEZER DOOR SKIN MATRIX						
Model	*FRZ Door Viking Part Number	Handle Location	Hinge Version	*REF Door Viking Part Number	Handle Location	Hinge Version
VCSB423-Professional 42" SxS	B/L2099428 and C9099428	See Figure 1-Previous	Cobra	B/L2099427 and C9099427	See Figure 1-Previous	Cobra
VCSB423-Professional 42" SxS	B/L2099994 and C9099994	See Figure 2-Current	Cobra	B/L2099993 and C9099993	See Figure 2-Current	Cobra
VCSB423D-Professional 42" SxS Dispenser	B/L2099009 and C9099009	See Figure 1-Previous	Cobra	B/L2099427 and C9099427	See Figure 1-Previous	Cobra
VCSB423D-Professional 42" SxS Dispenser	B/L20911393 and C20911393	See Figure 2-Current	Cobra	B/L2099993 and C9099993	See Figure 2-Current	Cobra
VCSB482-Professional 48" SxS	B/L2096939 and C9096939	See Figure 1-Previous	Extrusion/Plate	B/L2096940 and C9096940	See Figure 1-Previous	Extrusion/Plate
VCSB483-Professional 48" SxS	B/L2096939 and C9096939	See Figure 1-Previous	Extrusion/Plate	B/L2096940 and C9096940	See Figure 1-Previous	Extrusion/Plate
VCSB483-Professional 48" SXS (G-series)	B/L20913724 and C90913724	See Figure 2-Previous	Cobra	B/L20913723 and C90913723	See Figure 2-Previous	Cobra
VCSB483-Professional 48" SXS (H-series)	B/L20910040 and C90910040	See Figure 2-Current	Cobra	B/L20910039 and C90910039	See Figure 2-Current	Cobra
VCSB483D-Professional 48" SxS Dispenser	B/L2098301 and C9098301	See Figure 1-Previous	Extrusion/Plate	B/L2096940 and C9096940	See Figure 1-Previous	Extrusion/Plate
VCSB483D-Professional 48" SxS Dispenser	B/L2099992 and C9099992	See Figure 2-Current	Extrusion/Plate	B/L2099991 and C9099991	See Figure 2-Current	Extrusion/Plate
VCSB483D-Professional 48" SXS Dispenser (H-series)	B/L20913006 and C90913006	See Figure 2-Current	Cobra	B/L20910039 and C90910039	See Figure 2-Current	Cobra
	*LEFT Door Viking Part Number	Handle Location	Hinge Version	*RIGHT Door Viking Part Number	Handle Location	Hinge Version
VCFB364-Professional 36" All Freezer	**B/L2098381 and C9098381	See Figure 2-Current	Cobra	**B/L2098383 and C9098383	See Figure 2-Current	Cobra
VCRB364-Professional 36" All Refrigerator	**B/L2099067 and C9099067	See Figure 2-Current	Cobra	**B/L2099069 and C9099069	See Figure 2-Current	Cobra
VCFB304-Professional 30" All Freezer						
VCRB304-Professional 30" All Refrigerator						

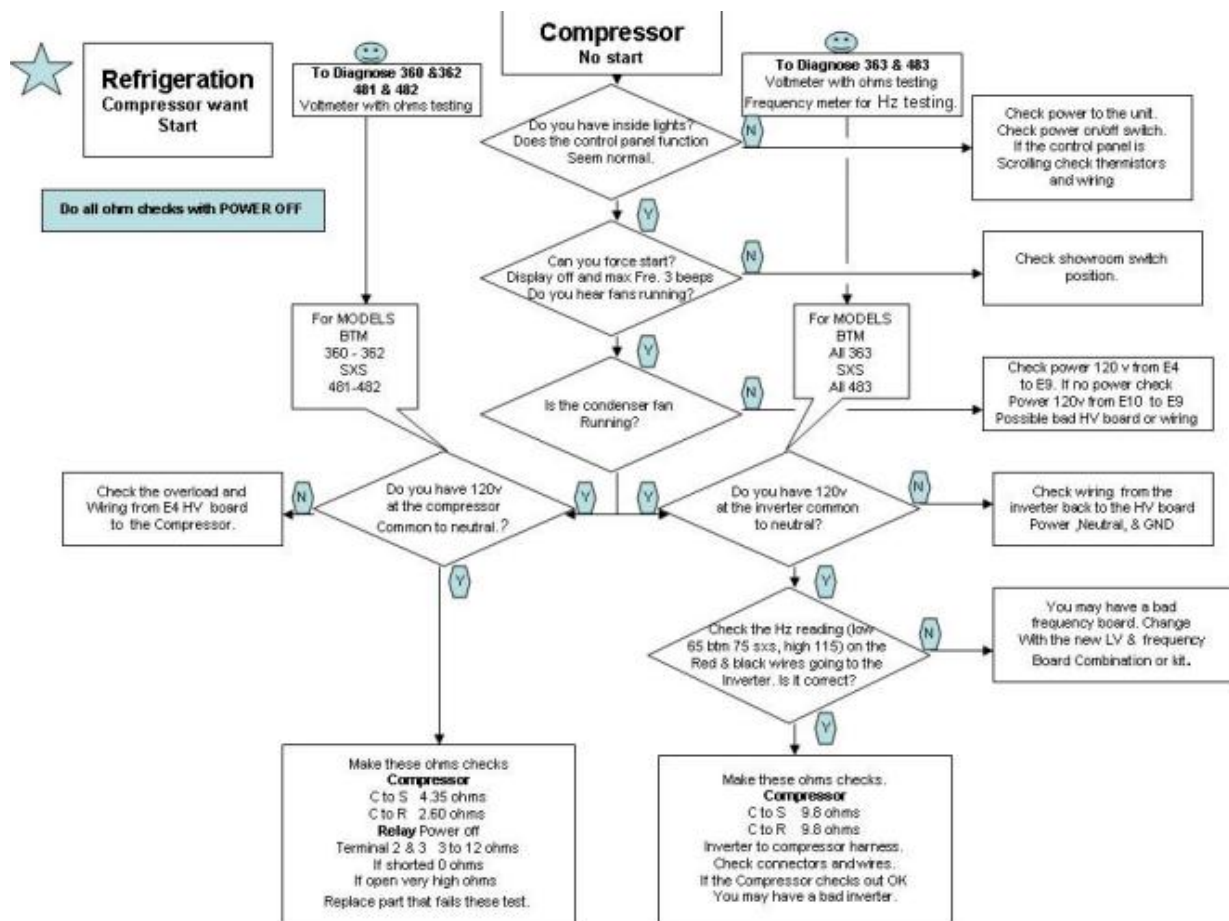
15.25 in

17.4375 in

FIGURE 1-PREVIOUS HANDLE LOCATION DIMENSION
FIGURE 2-CURRENT HANDLE LOCATION DIMENSION

NOTES:
 * B = Stainless Steel, C = Painted, all colors except WH and BK, L = Prepainted WH and BK
 * Color code must be added for all parts except "B/Stainless Steel"

Ref #	Part Number	Qty.	Description
-------	-------------	------	-------------



Ref #	Part Number	Qty.	Description
-------	-------------	------	-------------
